

XPO Logistics

2017-2022 Parts Book



Initial Release: 11/15/2022

Trailer Models:

The “N” in the model number may be replaced with “U”.

28’ Trailers

LTL28N00A-10 – THROUGH – LTL28N00A-35

LTL28NL0A-10 – THROUGH – LTL28NL0A-35

48’ Trailers

LTL48N00A-10 – THROUGH – LTL48N00A-38

LTL48NL0A-10 – THROUGH – LTL48NL0A-38

Table of Contents

A

Accessory Kits.....	48-59
Air Brake Assemblies.....	105-143
Ancra Lift-A-Deck Assemblies.....	28-36
Axle Assemblies.....	168-176

B

Bogie Frame Assemblies.....	158-167
Bumper Assemblies.....	190-194

D

Decal Kits.....	60-66
Door and Door Frame Assemblies.....	37-46

E

Electrical Assemblies.....	77-104
----------------------------	--------

F

Fairing Assemblies.....	177-180
Floor Assemblies.....	72-76
Forward Wall Assemblies.....	5-16

L

Liftgate Charging System.....102-104

Landing Leg Assemblies.....147-151

License Plate Assemblies.....187-189

Liftgate Assemblies.....198-202

M

Mud-flap Assemblies.....181-186

P

Pintle Hook Assemblies.....195-197

R

Roof Assemblies.....67-71

S

Sidewall Assemblies.....17-27

Suspension Assemblies.....152-157

U

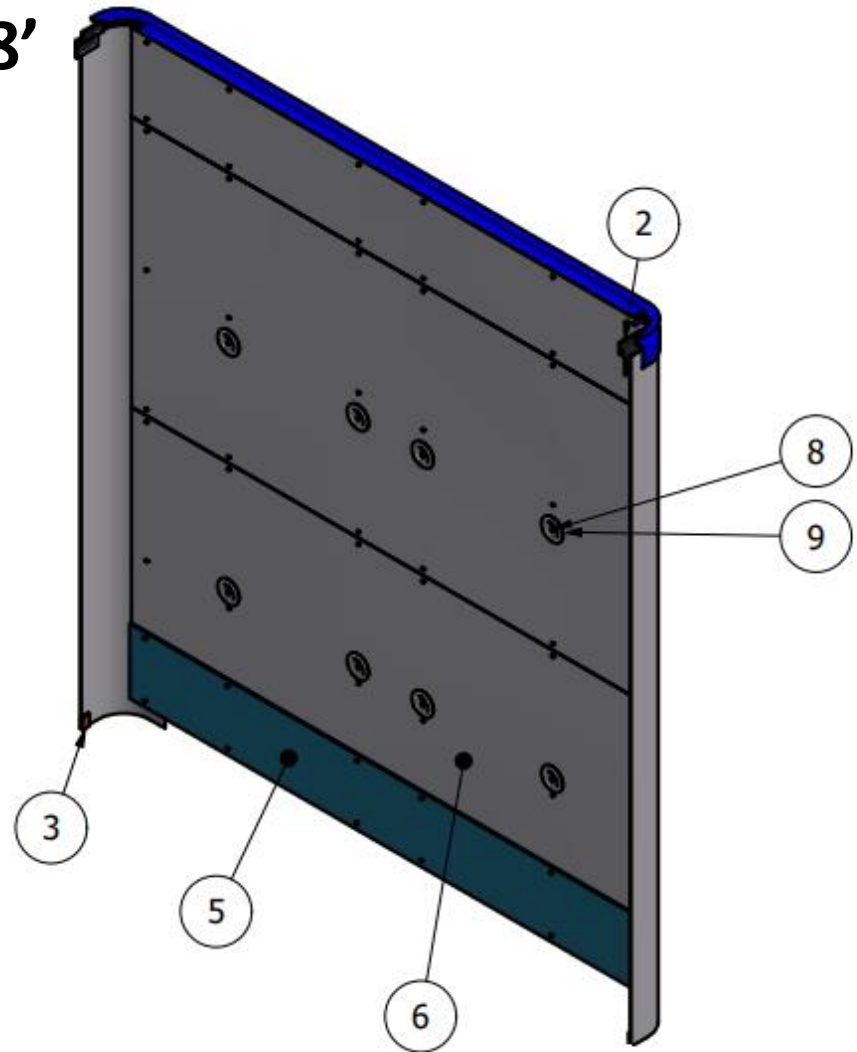
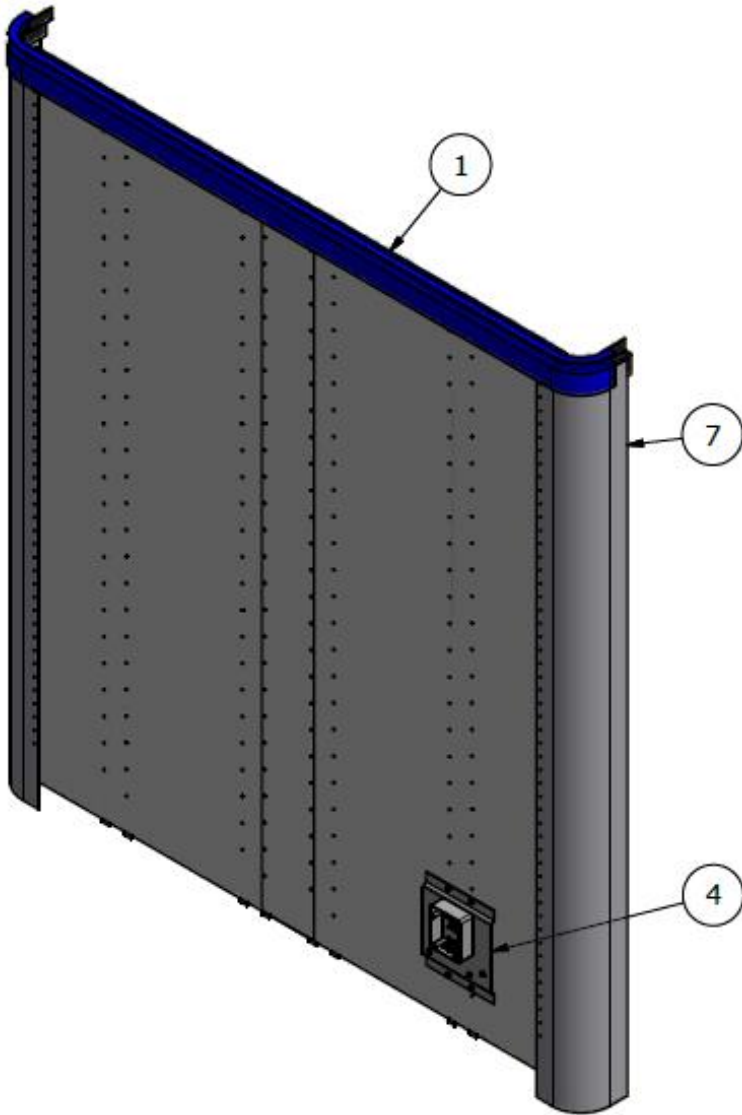
Upper Coupler Assemblies.....144-146



FORWARD WALL ASSEMBLIES
FOR
LTL XPO TRAILERS

FORWARD WALL ASSEMBLY, 28'

410M126

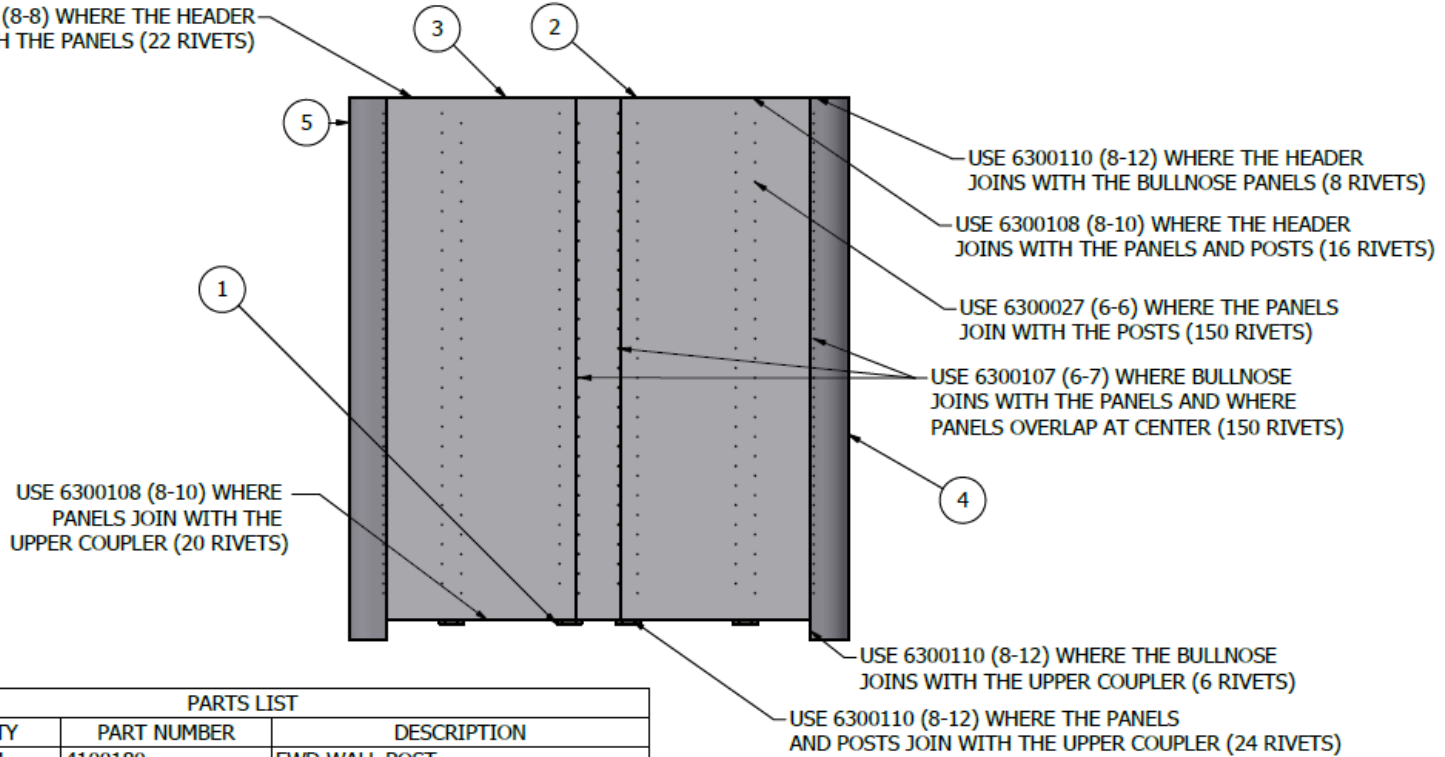


PARTS LIST			
ITEM	QTY	PART NUMBER	DESCRIPTION
1	1	4100129	FWD WALL HEADER
2	2	4100407	UPPER RAIL SUPPORT
3	2	4100430	BULLNOSE SHIM
4	1	410N098	AIR KIT PLATE ASSEMBLY
5	1	410N144	FORWARD WALL SCUFF LINER
6	1	410N146	FWD WALL LINER - 28'
7	1	410N150	FWD WALL PANEL ASSY - 28'
8	16	6300133	RIVET, POP - MAGNA LOK - 1/4"D x 5/8"L
9	8	9000003	D-RING, SURFACE MOUNT

FWD WALL PANEL ASSY, 28'

410N150

USE 6300112 (8-8) WHERE THE HEADER JOINS WITH THE PANELS (22 RIVETS)



USE 6300108 (8-10) WHERE PANELS JOIN WITH THE UPPER COUPLER (20 RIVETS)

USE 6300110 (8-12) WHERE THE HEADER JOINS WITH THE BULLNOSE PANELS (8 RIVETS)

USE 6300108 (8-10) WHERE THE HEADER JOINS WITH THE PANELS AND POSTS (16 RIVETS)

USE 6300027 (6-6) WHERE THE PANELS JOIN WITH THE POSTS (150 RIVETS)

USE 6300107 (6-7) WHERE BULLNOSE JOINS WITH THE PANELS AND WHERE PANELS OVERLAP AT CENTER (150 RIVETS)

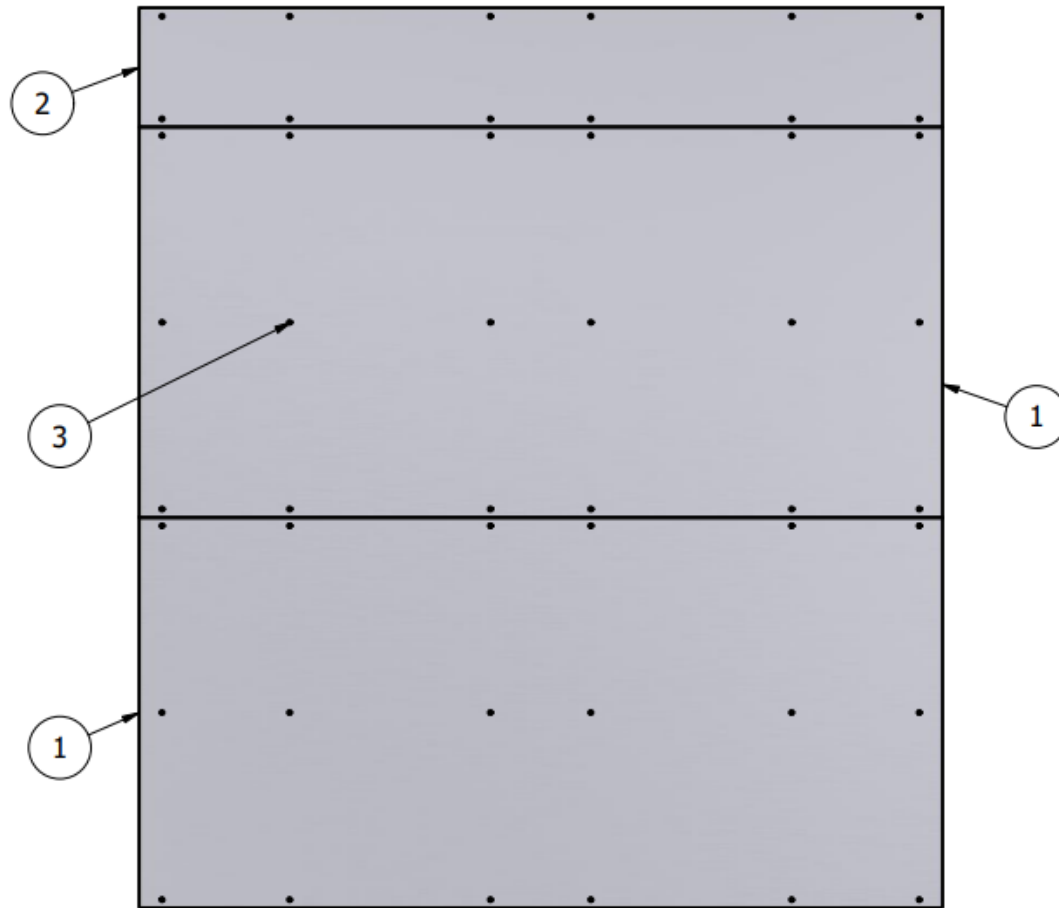
USE 6300110 (8-12) WHERE THE BULLNOSE JOINS WITH THE UPPER COUPLER (6 RIVETS)

USE 6300110 (8-12) WHERE THE PANELS AND POSTS JOIN WITH THE UPPER COUPLER (24 RIVETS)

PARTS LIST			
ITEM	QTY	PART NUMBER	DESCRIPTION
1	4	4100180	FWD WALL POST
2	1	4100550	FORWARD WALL PANEL - R/S
3	1	4100551	FORWARD WALL PANEL - C/S
4	1	4100552	BULLNOSE EXTRUSION - R/S
5	1	4100553	BULLNOSE EXTRUSION - C/S
6	2	6000363	BOLT, 3/8"-16 x 1 1/4"
7	2	6000364	BOLT, 3/8"-16 x 1 3/4"
8	4	6100377	NUT, 3/8"-16
9	0.290 lb	6300027	RIVET, SOLID - AN455AD 6-6
10	0.313 lb	6300107	RIVET, SOLID - AN455AD 6-7
11	0.185 lb	6300108	RIVET, SOLID - AN455AD 8-10
12	0.219 lb	6300110	RIVET, SOLID - AN455AD 8-12
13	0.099 lb	6300112	RIVET, SOLID - AN455AD 8-8

FORWARD WALL LINER ASSEMBLY, 28'

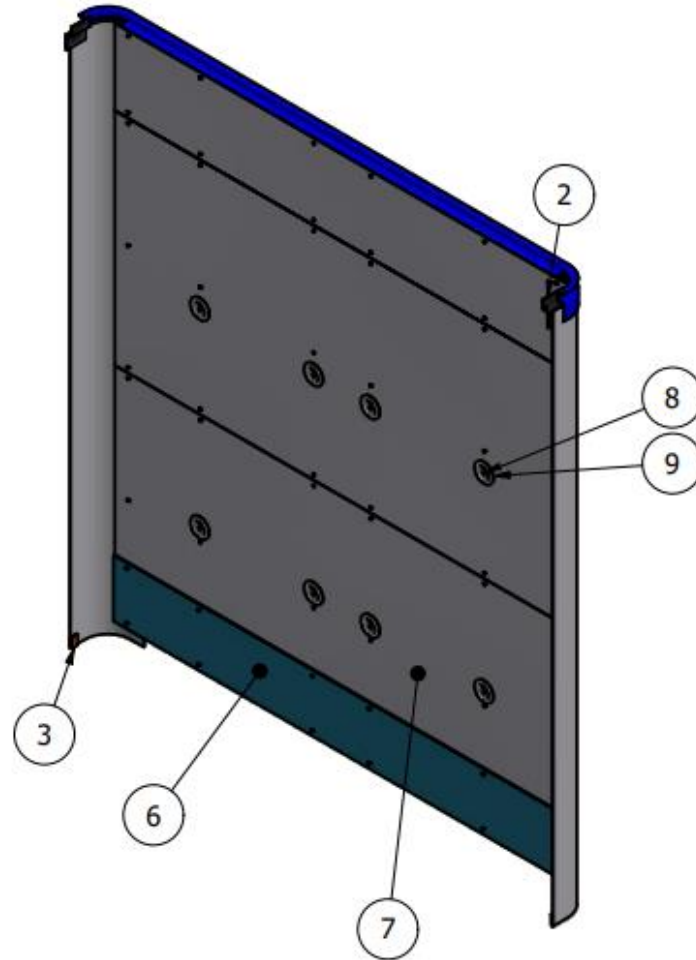
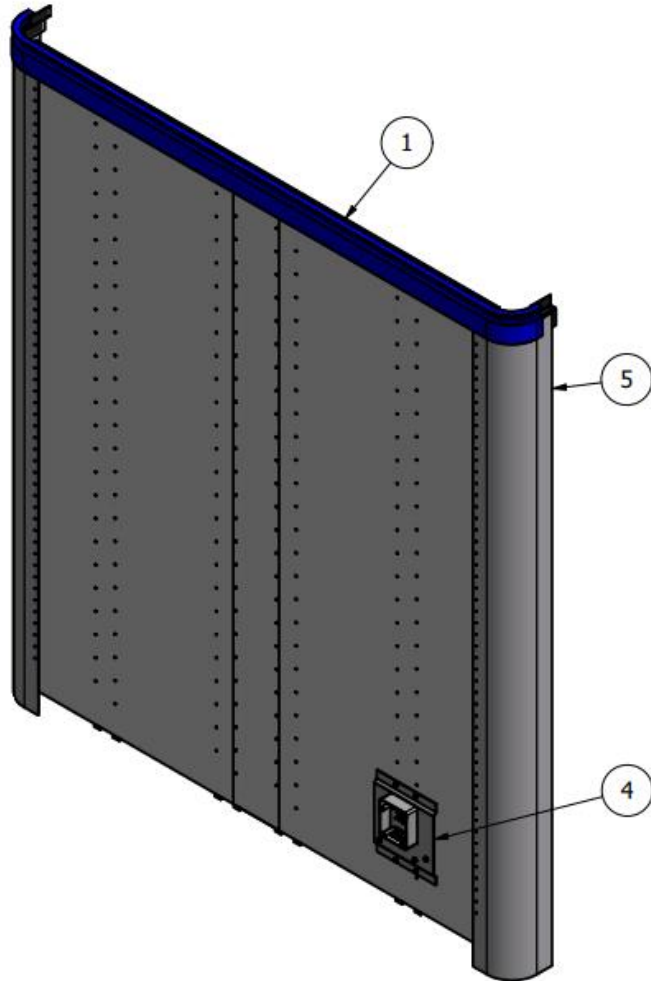
410N146



PARTS LIST			
ITEM	QTY	PART NUMBER	DESCRIPTION
1	2	4100065	FORWARD WALL LINER
2	1	4100066	FORWARD WALL LINER, TOP, 28'
3	48	6400207	SCREW, 1/4-20 x 1" TORX HEAD, COUNTERSUNK

FORWARD WALL ASSEMBLY, 48' & 53'

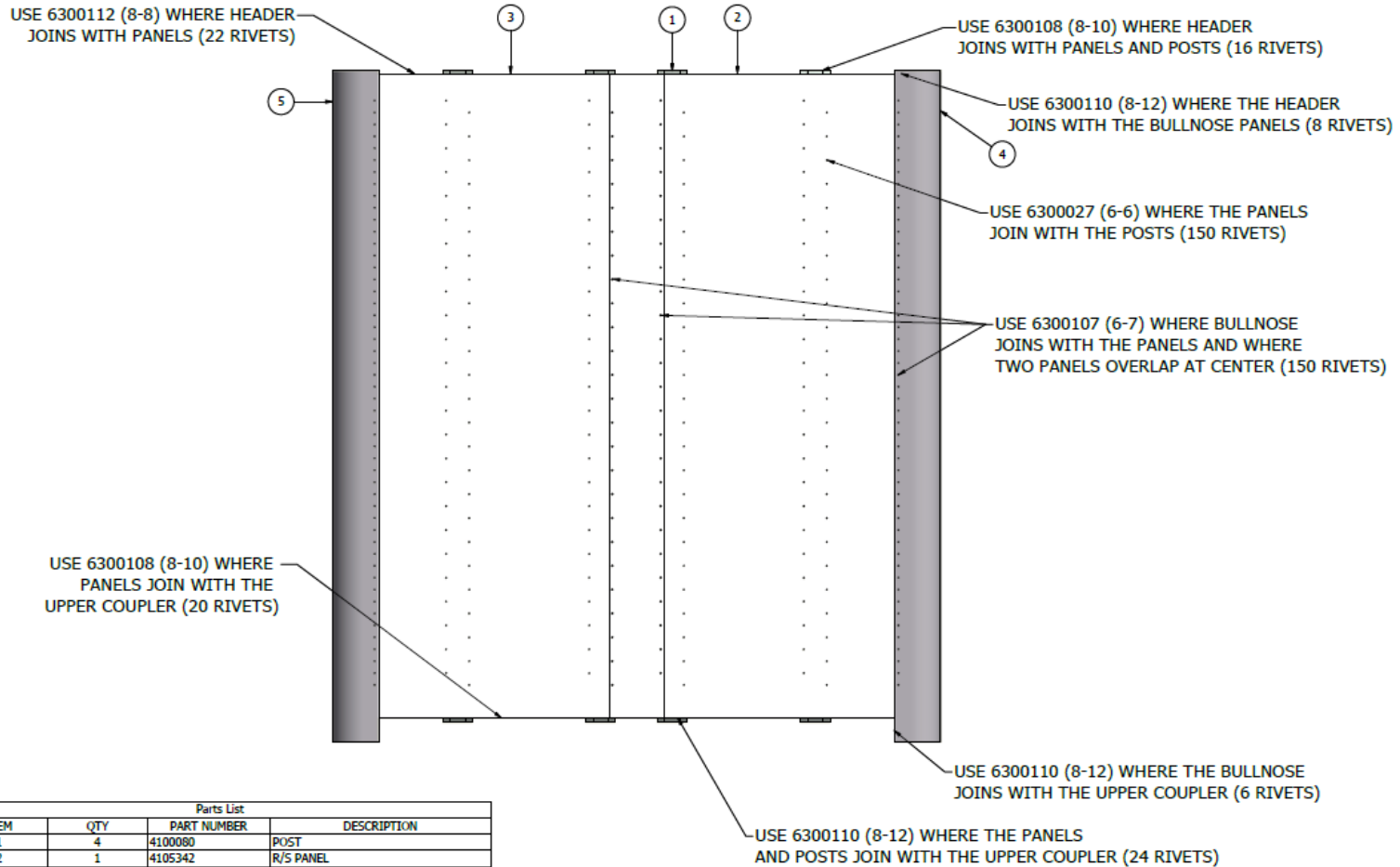
410M127



PARTS LIST			
ITEM	QTY	PART NUMBER	DESCRIPTION
1	1	4100129	FWD WALL HEADER
2	2	4100407	UPPER RAIL SUPPORT
3	2	4100430	BULLNOSE SHIM
4	1	410N098	AIR KIT PLATE ASSEMBLY
5	1	410N117	PANEL ASSEMBLY
6	1	410N144	FORWARD WALL SCUFF LINER
7	1	410N147	FWD WALL LINER - SEMI
8	16	6300133	RIVET, POP - MAGNA LOK - 1/4"D X 5/8"L
9	8	9000003	D-RING, SURFACE MOUNT

PANEL ASSEMBLY

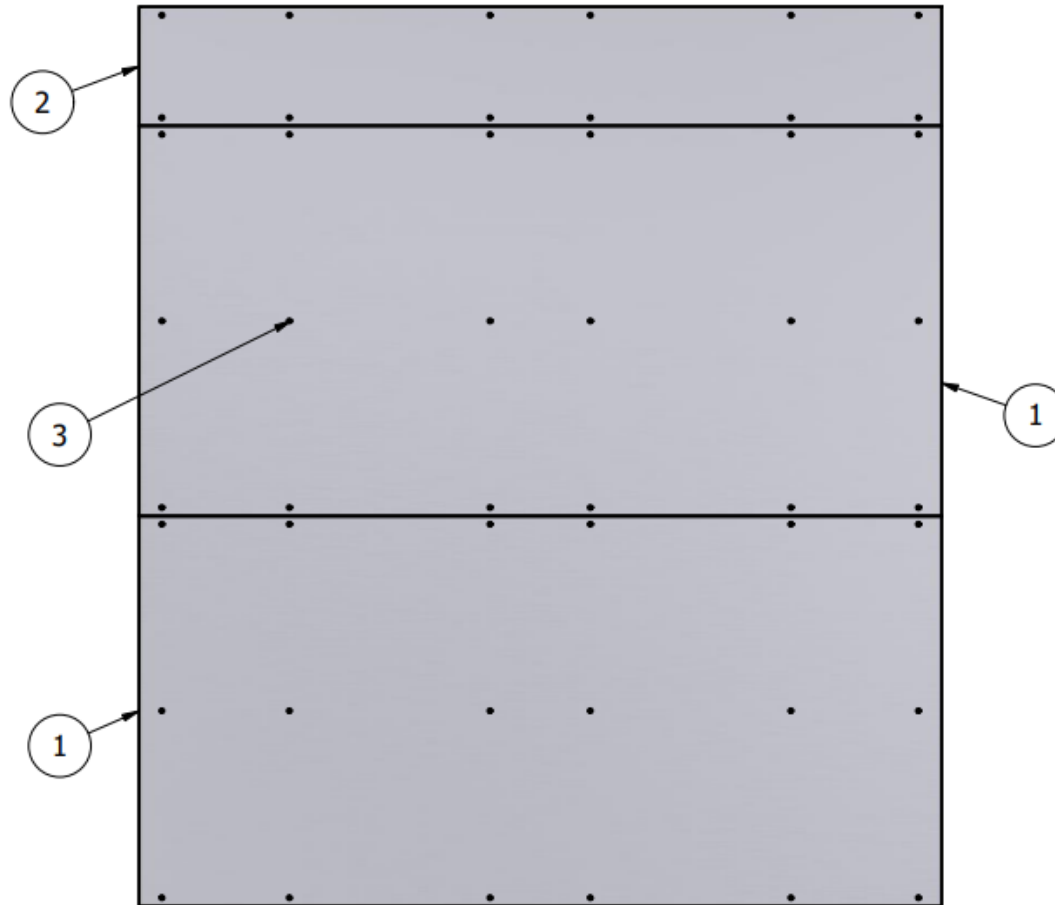
410N117



Parts List			
ITEM	QTY	PART NUMBER	DESCRIPTION
1	4	4100080	POST
2	1	4105342	R/S PANEL
3	1	4105343	C/S PANEL
4	1	4105344	R/S BULLNOSE EXTRUSION
5	1	4105345	C/S BULLNOSE EXTRUSION
6	2	6000363	BOLT, 3/8"-16 x 1 1/4"
7	2	6000364	BOLT, 3/8"-16 x 1 3/4"
8	4	6100377	NUT, 3/8"-16
9	0.290 lb	6300027	RIVET, SOLID - AN455AD 6-6
10	0.313 lb	6300107	RIVET, SOLID - AN455AD 6-7
11	0.185 lb	6300108	RIVET, SOLID - AN455AD 8-10
12	0.219 lb	6300110	RIVET, SOLID - AN455AD 8-12
13	0.099 lb	6300112	RIVET, SOLID - AN455AD 8-8

FORWARD WALL LINER ASSEMBLY, 48' & 53'

410N147

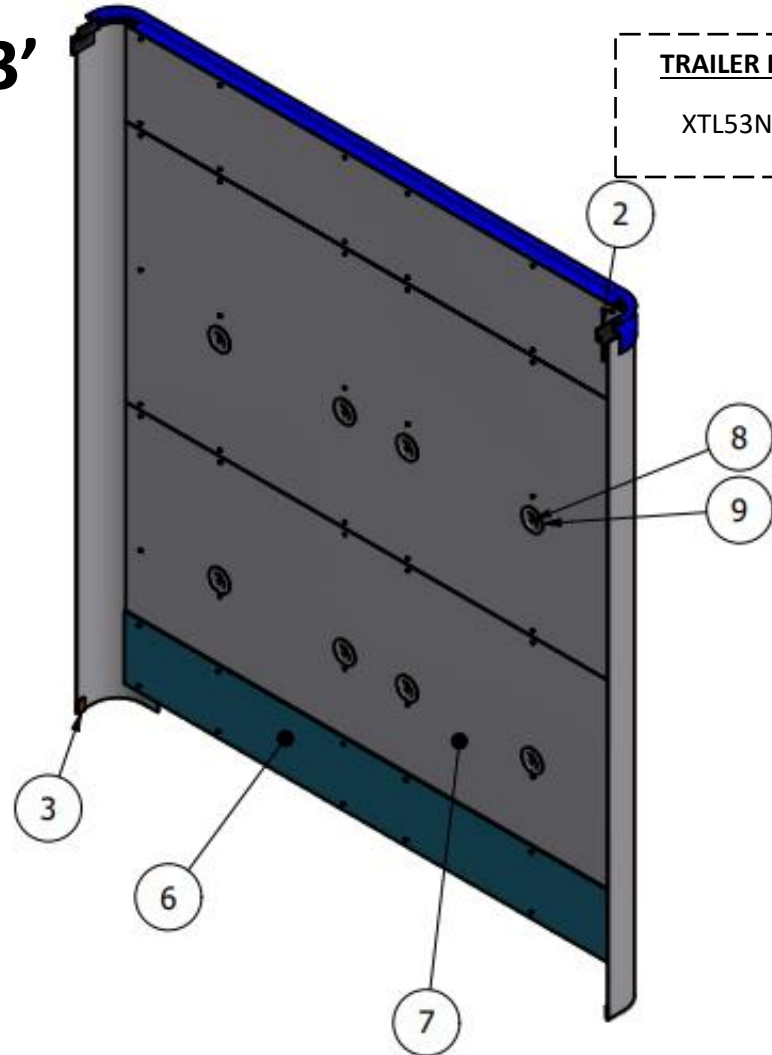
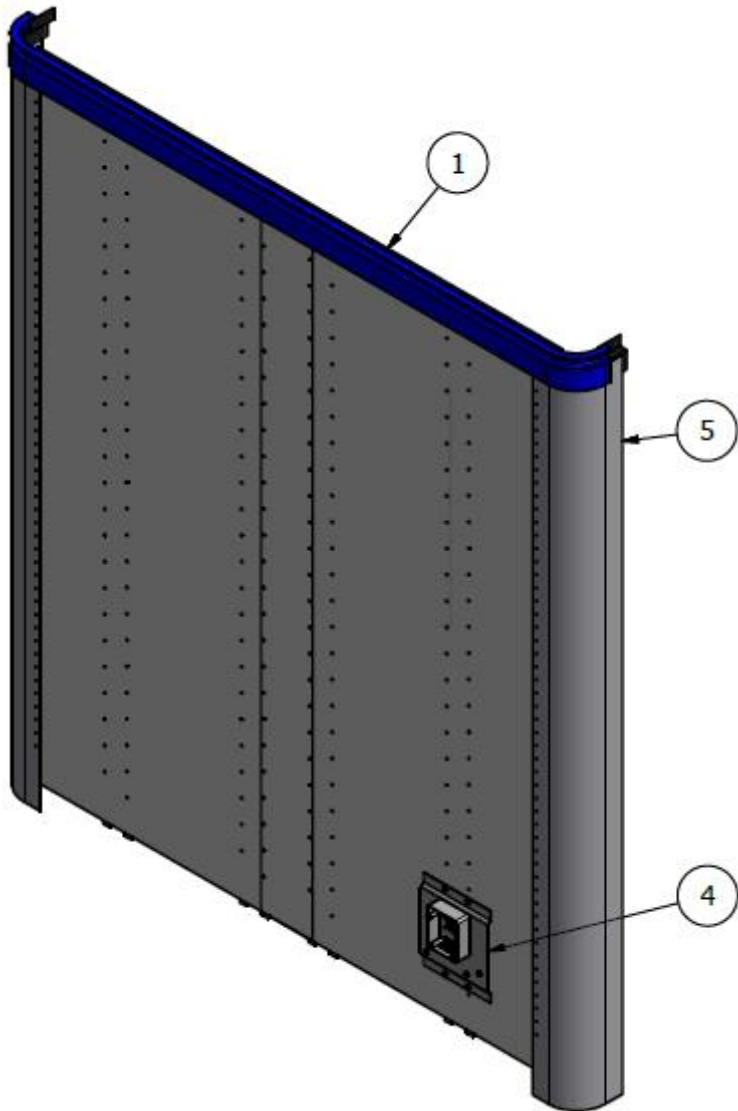


PARTS LIST			
ITEM	QTY	PART NUMBER	DESCRIPTION
1	2	4100065	FORWARD WALL LINER
2	1	4100066	FORWARD WALL LINER, TOP, 28'
3	48	6400207	SCREW, 1/4-20 x 1" TORX HEAD, COUNTERSUNK

FORWARD WALL ASSEMBLY, 53'

410M129

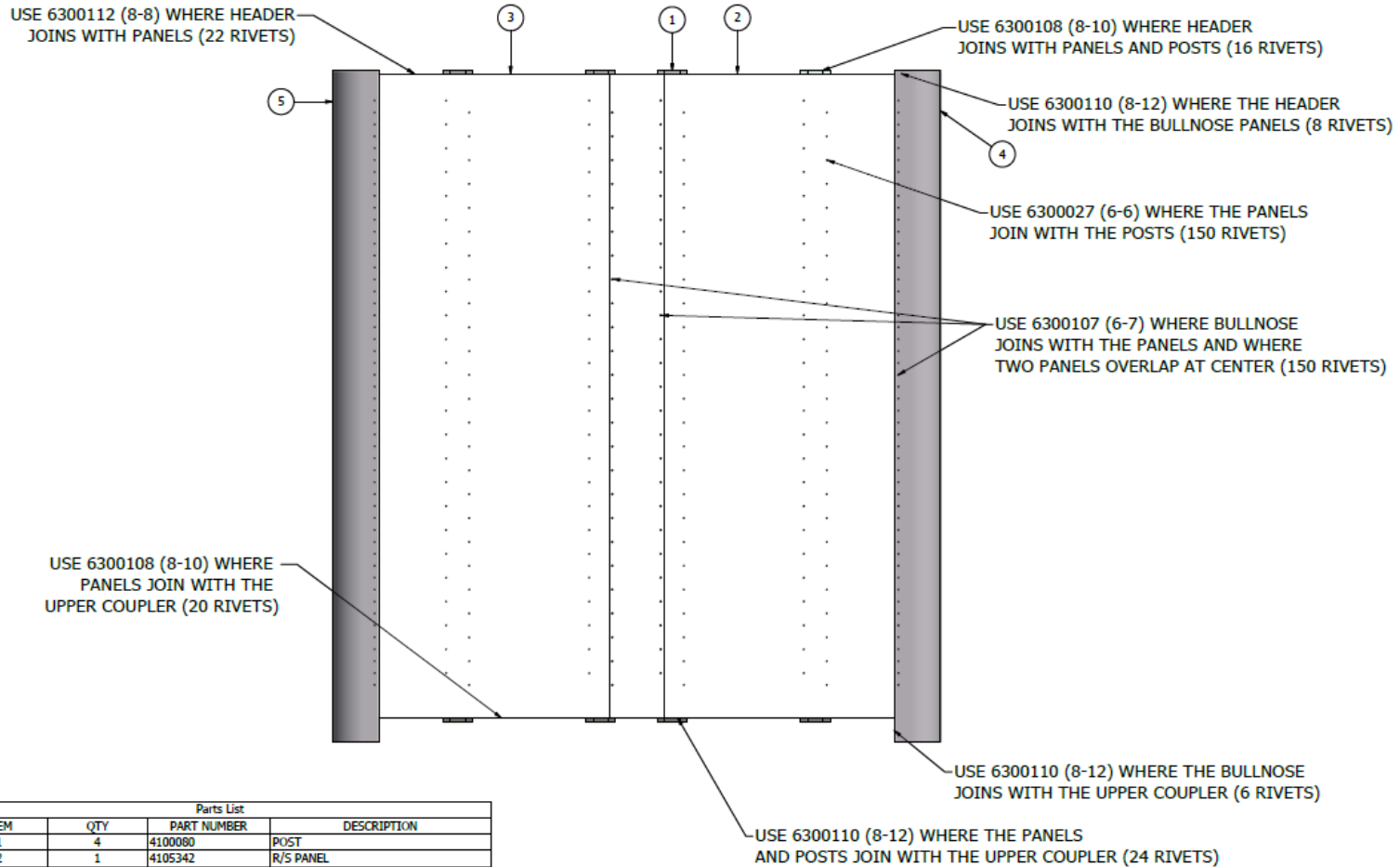
TRAILER MODELS:
XTL53N00A-13



PARTS LIST			
ITEM	QTY	PART NUMBER	DESCRIPTION
1	1	4100129	FWD WALL HEADER
2	2	4100407	UPPER RAIL SUPPORT
3	2	4100430	BULLNOSE SHIM
4	1	410N098	AIR KIT PLATE ASSEMBLY
5	1	410N117	PANEL ASSEMBLY
6	1	410N144	FORWARD WALL SCUFF LINER
7	1	410N147	FWD WALL LINER - SEMI
8	16	6300133	RIVET, POP - MAGNA LOK - 1/4"D X 5/8"L
9	8	9000003	D-RING, SURFACE MOUNT

PANEL ASSEMBLY, 53'

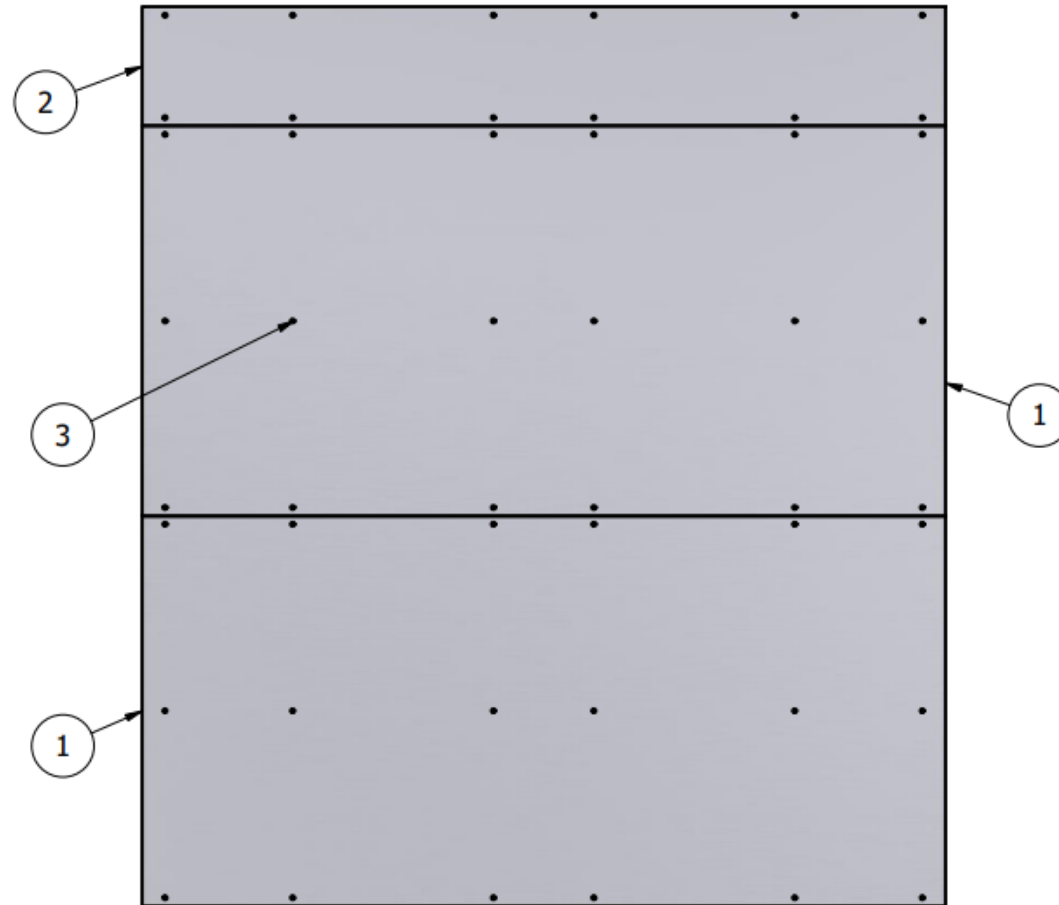
410N117



Parts List			
ITEM	QTY	PART NUMBER	DESCRIPTION
1	4	4100080	POST
2	1	4105342	R/S PANEL
3	1	4105343	C/S PANEL
4	1	4105344	R/S BULLNOSE EXTRUSION
5	1	4105345	C/S BULLNOSE EXTRUSION
6	2	6000363	BOLT, 3/8"-16 x 1 1/4"
7	2	6000364	BOLT, 3/8"-16 x 1 3/4"
8	4	6100377	NUT, 3/8"-16
9	0.290 lb	6300027	RIVET, SOLID - AN455AD 6-6
10	0.313 lb	6300107	RIVET, SOLID - AN455AD 6-7
11	0.185 lb	6300108	RIVET, SOLID - AN455AD 8-10
12	0.219 lb	6300110	RIVET, SOLID - AN455AD 8-12
13	0.099 lb	6300112	RIVET, SOLID - AN455AD 8-8

FORWARD WALL LINER ASSEMBLY, 53'

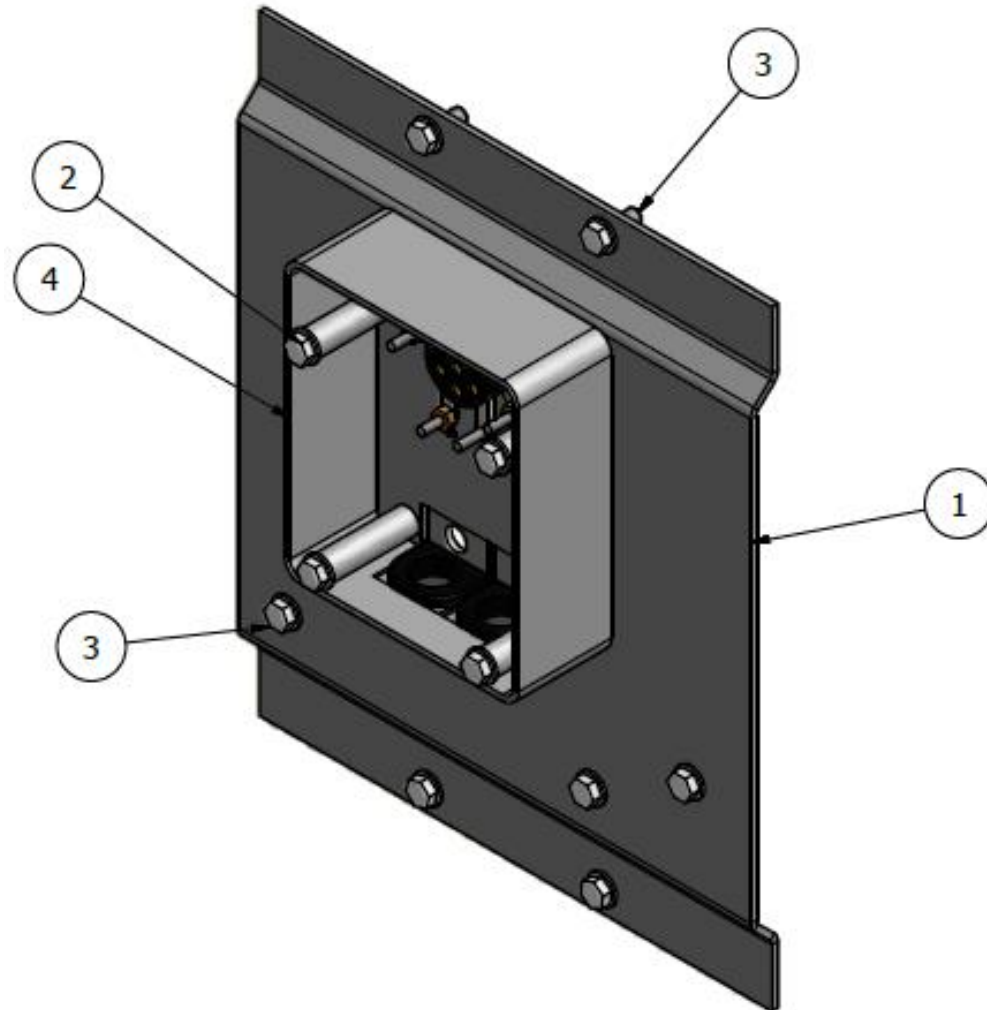
410N147



PARTS LIST			
ITEM	QTY	PART NUMBER	DESCRIPTION
1	2	4100065	FORWARD WALL LINER
2	1	4100066	FORWARD WALL LINER, TOP, 28'
3	48	6400207	SCREW, 1/4-20 x 1" TORX HEAD, COUNTERSUNK

AIR KIT PLATE ASSEMBLY

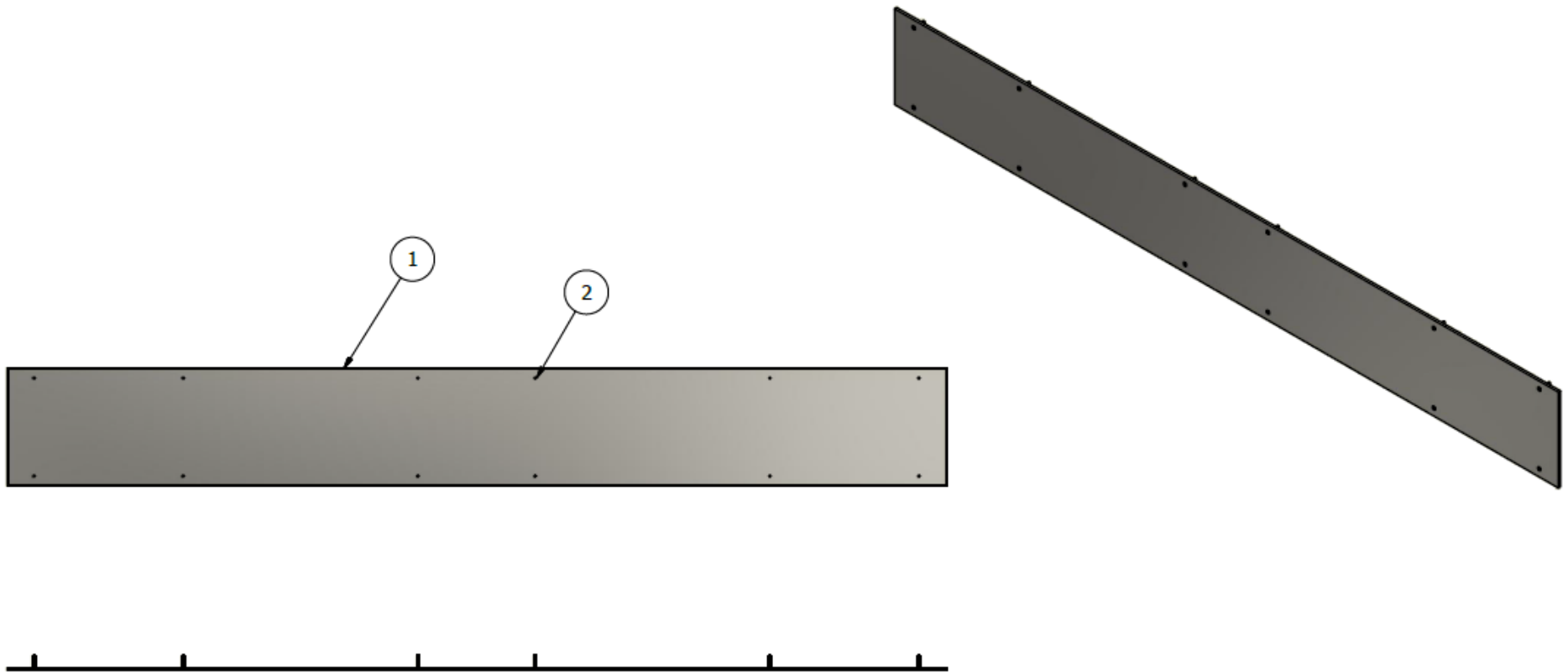
410N098



PARTS LIST			
ITEM	QTY	PART NUMBER	DESCRIPTION
1	1	4100519	AIR KIT PLATE W/ SWIVELS
2	4	6000298	BOLT, 5/16-18 x 2 3/4" TRILOBULAR SELF-TAPPING (PART OF 800N344)
3	8	6000312	5/16"-18 x 3/4" ROLOC SELF TAPPING BOLT (4 ARE PART OF 700N382)
4	1	8000943	7-WAY BOX, TRAMEC (PART OF 800N344)

FORWARD WALL SCUFF LINER

410N144



PARTS LIST			
ITEM	QTY	PART NUMBER	DESCRIPTION
1	1	4100064	FORWARD WALL KICK PLATE
2	12	6400214	SCREW, 1/4-20 x 1 1/2" FLOOR TORX HEAD

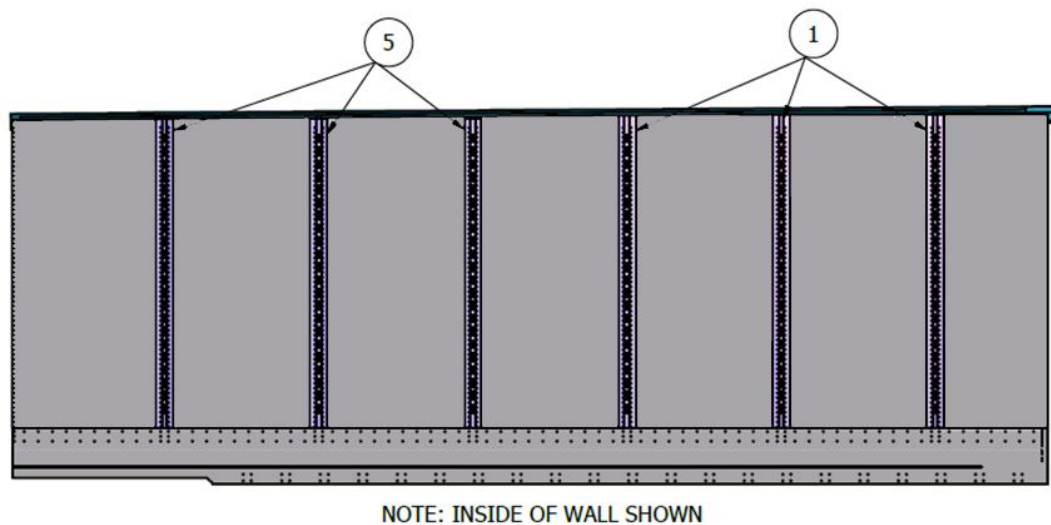
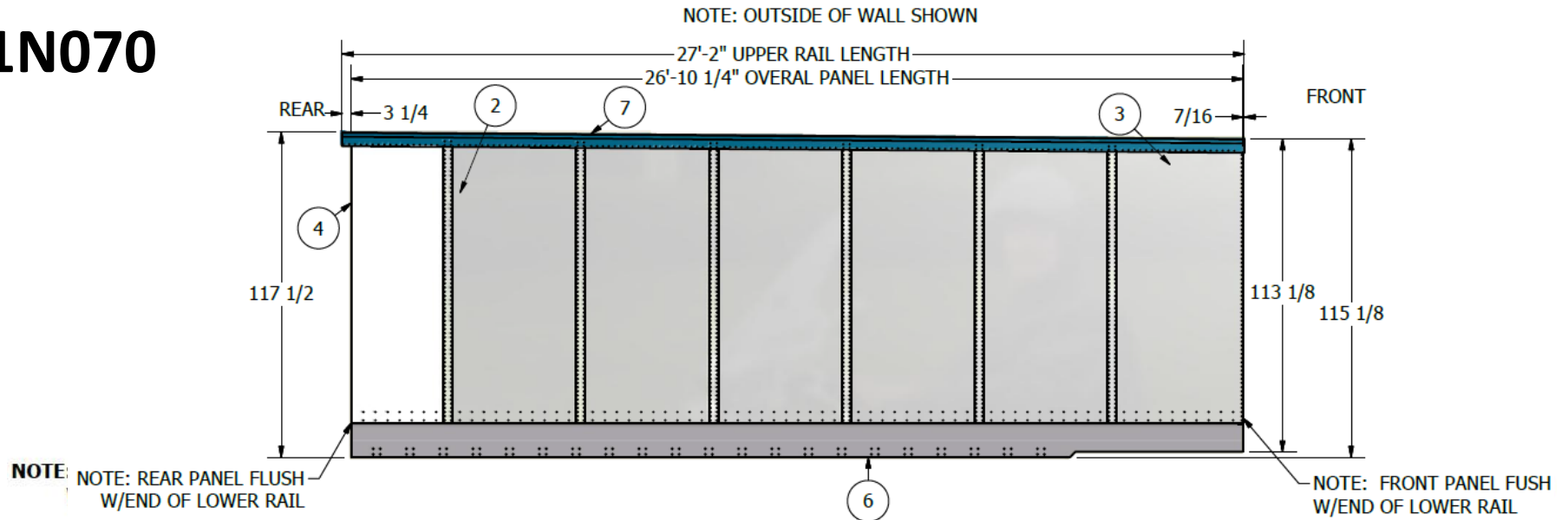


**SIDEWALL ASSEMBLIES
FOR
LTL XPO TRAILERS**

420M131
SIDEWALL ASSEMBLY, LTL28'

C/S SIDEWALL ASSEMBLY, 28' NATURAL INNER SURFACE

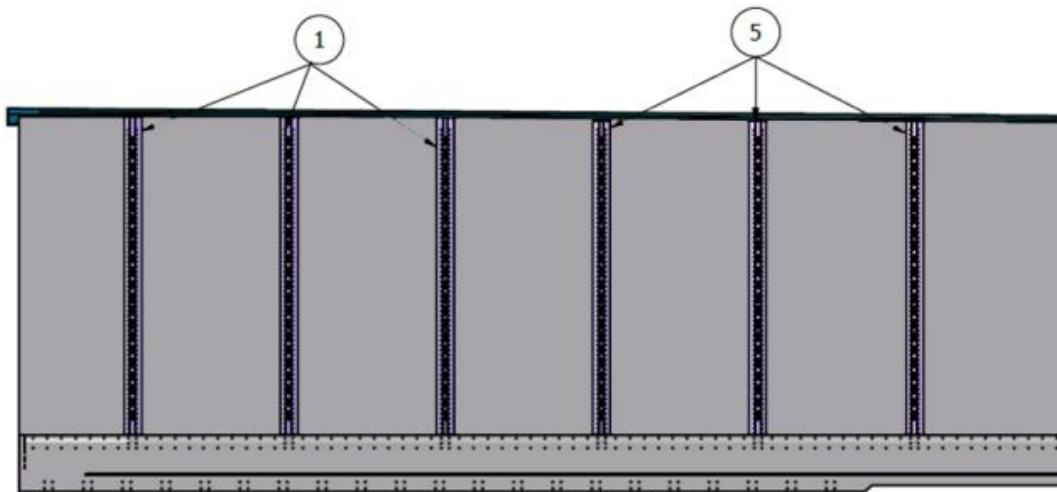
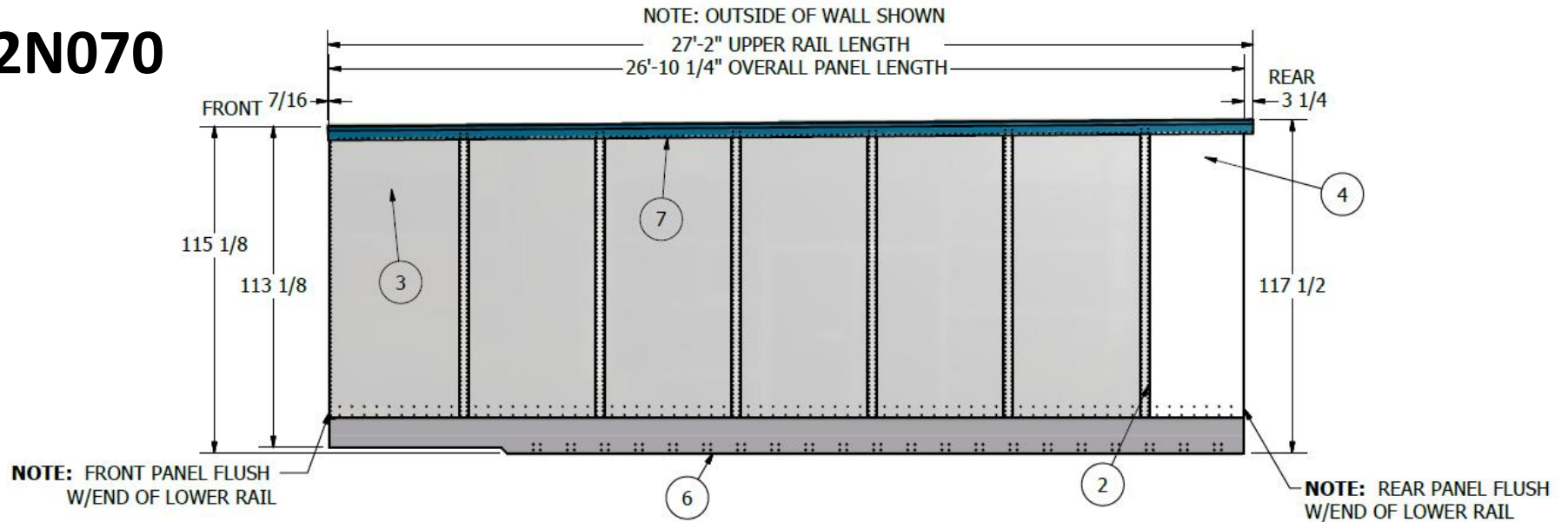
421N070



PARTS LIST			
ITEM	QTY	PART NUMBER	DESCRIPTION
1	3	4201116	LOGISTIC SIDEWALL POST
2	6	4201118	OUTER STRIP, PUNCHED
3	6	4201186	COMPOSITE SIDEWALL PANEL
4	1	4201188	REAR SIDEWALL PANEL
5	3	4201216	LOGISTIC SIDEWALL POST
6	1	4202012	LOWER RAIL, C/S
7	1	4203012	28' UPPER RAIL - C/S
8	93	6000352	PIN, HUCK C6LB-R12-6GA ZINC
9	18	6000363	BOLT, 3/8-16 x 1-1/4 TORX
10	93	6100352	COLLAR, HUCK - GALVANIZED
11	18	6100377	NUT, 3/8-16 NYLOK PLATED
12	0.21 lb	6300097	RIVET, SOLID - AN455AD 8-16
13	0.04 lb	6300098	RIVET, SOLID - AN455AD 8-18
14	3.88 lb	6300108	RIVET, SOLID - AN455AD 8-10
15	1.42 lb	6300110	RIVET, SOLID - AN455AD 8-12
16	1.16 lb	6300129	RIVET, SOLID - AN455AD 8-14

R/S SIDEWALL ASSEMBLY, 28' NATURAL INNER SURFACE

422N070



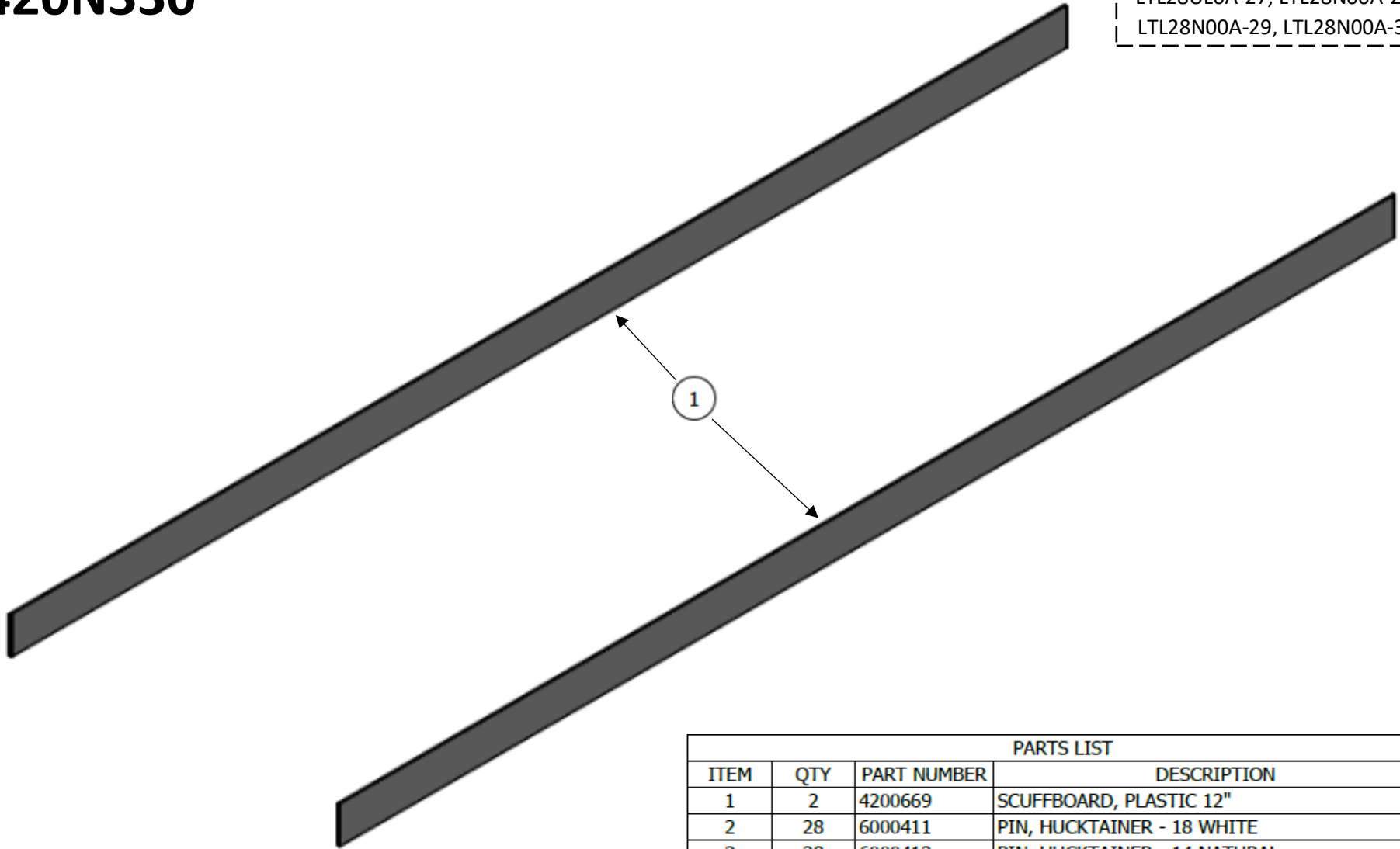
PARTS LIST			
ITEM	QTY	PART NUMBER	DESCRIPTION
1	3	4201116	LOGISTIC SIDEWALL POST
2	6	4201118	OUTER STRIP, PUNCHED
3	6	4201186	COMPOSITE SIDEWALL PANEL
4	1	4201188	REAR SIDEWALL PANEL
5	3	4201216	LOGISTIC SIDEWALL POST
6	1	4202011	LOWER RAIL, R/S
7	1	4203011	28' UPPER RAIL - R/S
8	93	6000352	PIN, HUCK C6LB-R12-6GA ZINC
9	18	6000363	BOLT, 3/8-16 x 1-1/4 TORX
10	93	6100352	COLLAR, HUCK - GALVANIZED
11	18	6100377	NUT, 3/8-16 NYLOK PLATED
12	0.21 lb	6300097	RIVET, SOLID - AN455AD 8-16
13	0.04 lb	6300098	RIVET, SOLID - AN455AD 8-18
14	3.88 lb	6300108	RIVET, SOLID - AN455AD 8-10
15	1.42 lb	6300110	RIVET, SOLID - AN455AD 8-12
16	1.16 lb	6300129	RIVET, SOLID - AN455AD 8-14

SIDEWALL SCUFF LINER ASSEMBLY, LTL28'

420N330

TRAILER MODELS:

LTL28N00A-25, LTL28N00A-26,
 LTL28N00A-27, LTL28P00A-27,
 LTL28UL0A-27, LTL28N00A-28,
 LTL28N00A-29, LTL28N00A-31



PARTS LIST			
ITEM	QTY	PART NUMBER	DESCRIPTION
1	2	4200669	SCUFFBOARD, PLASTIC 12"
2	28	6000411	PIN, HUCKTAINER - 18 WHITE
3	28	6000412	PIN, HUCKTAINER - 14 NATURAL
4	56	6100411	COLLAR, HUCKTAINER - MEDIUM

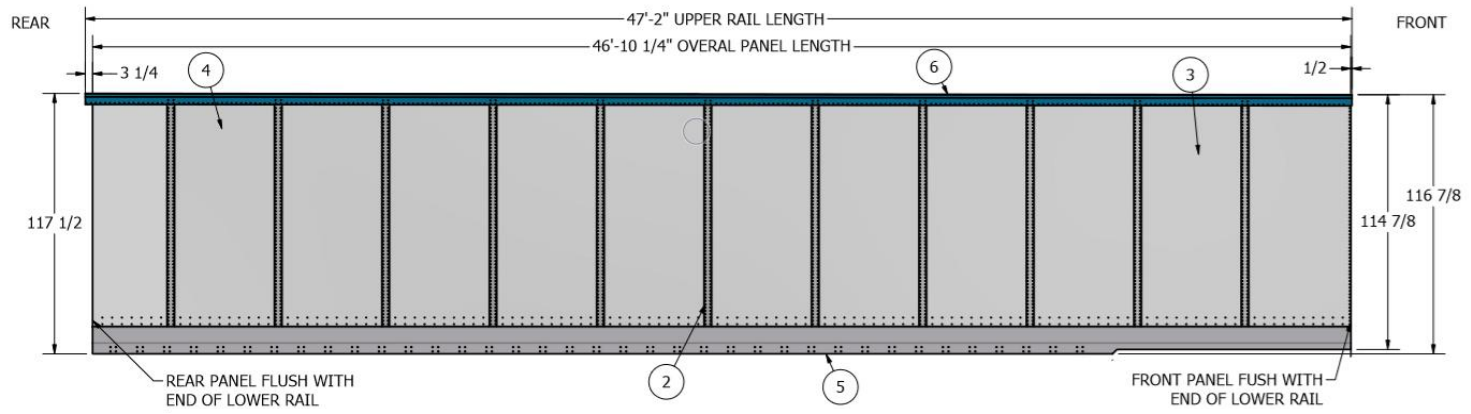
420M135

SIDEWALL ASSEMBLY, LTL 48'

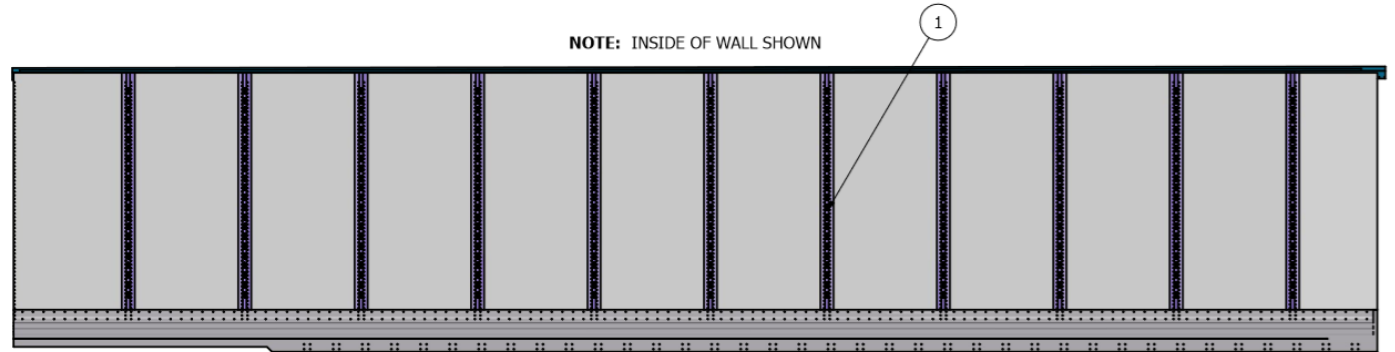
XPOLogistics

C/S SIDEWALL ASSEMBLY, 48' NATURAL INNER SURFACE

421N074



NOTE: INSIDE OF WALL SHOWN

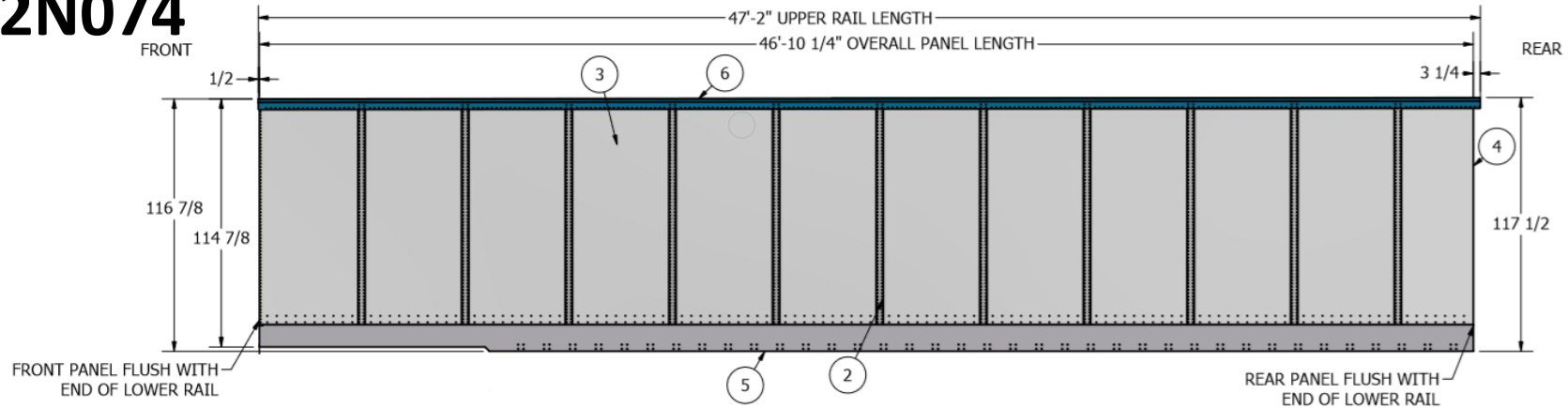


PARTS LIST			
ITEM	QTY	PART NUMBER	DESCRIPTION
1	11	4201116	LOGISTIC SIDEWALL POST
2	11	4201118	OUTER STRIP, PUNCHED
3	11	4201186	COMPOSITE SIDEWALL PANEL
4	1	4201188	REAR SIDEWALL PANEL
5	1	4202020	LOWER RAIL, C/S
6	1	4203020	48' UPPER RAIL - C/S
7	165	6000352	PIN, HUCK C6LB-R12-6GA ZINC
8	18	6000363	BOLT, 3/8-16 x 1-1/4 TORX
9	165	6100352	COLLAR, HUCK - GALVANIZED
10	18	6100377	NUT, 3/8-16 NYLOK PLATED
11	0.35 lb	6300097	RIVET, SOLID - AN455AD 8-16
12	0.04 lb	6300098	RIVET, SOLID - AN455AD 8-18
13	7.11 lb	6300108	RIVET, SOLID - AN455AD 8-10
14	2.07 lb	6300110	RIVET, SOLID - AN455AD 8-12
15	1.96 lb	6300129	RIVET, SOLID - AN455AD 8-14

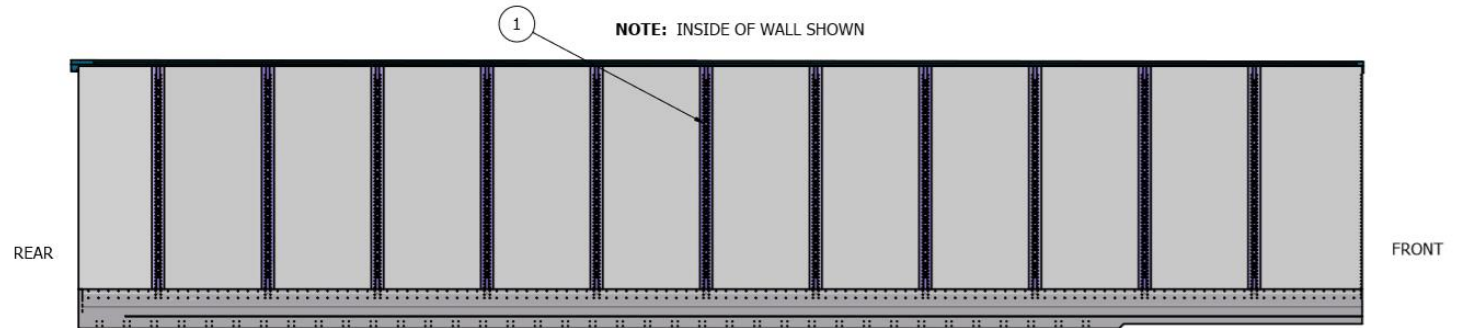
R/S SIDEWALL ASSEMBLY, 48' NATURAL INNER SURFACE

422N074

NOTE: OUTSIDE OF WALL SHOWN



NOTE: INSIDE OF WALL SHOWN



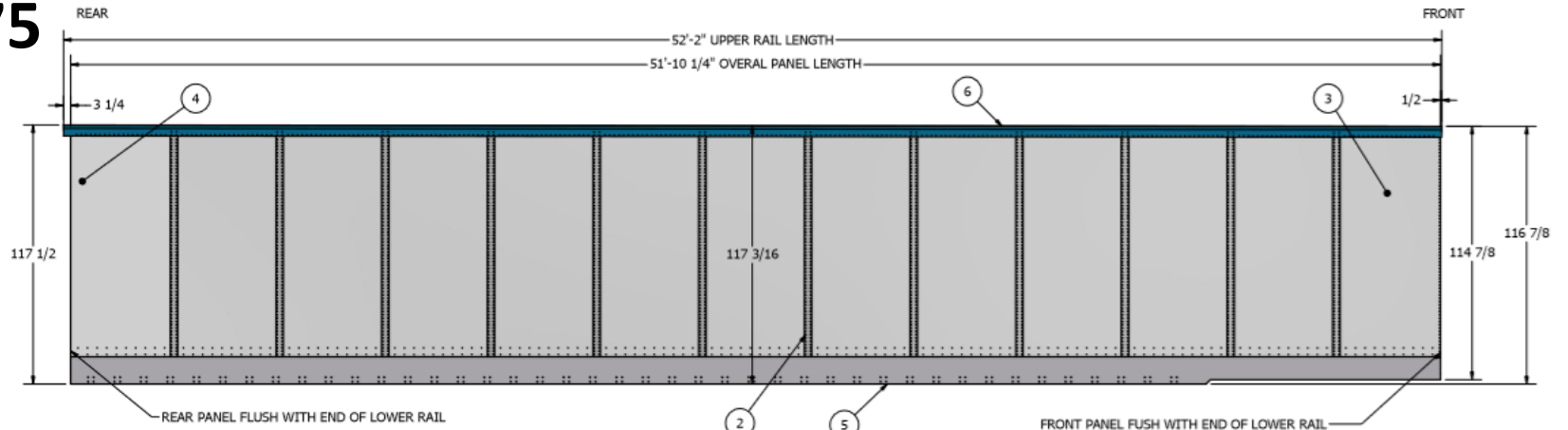
PARTS LIST			
ITEM	QTY	PART NUMBER	DESCRIPTION
1	11	4201116	LOGISTIC SIDEWALL POST
2	11	4201118	OUTER STRIP, PUNCHED
3	11	4201186	COMPOSITE SIDEWALL PANEL
4	1	4201188	REAR SIDEWALL PANEL
5	1	4202019	LOWER RAIL, R/S
6	1	4203019	48' UPPER RAIL - R/S
7	165	6000352	PIN, HUCK C6LB-R12-6GA ZINC
8	18	6000363	BOLT, 3/8-16 x 1-1/4 TORX
9	165	6100352	COLLAR, HUCK - GALVANIZED
10	18	6100377	NUT, 3/8-16 NYLOK PLATED
11	0.35 lb	6300097	RIVET, SOLID - AN455AD 8-16
12	0.04 lb	6300098	RIVET, SOLID - AN455AD 8-18
13	7.11 lb	6300108	RIVET, SOLID - AN455AD 8-10
14	2.07 lb	6300110	RIVET, SOLID - AN455AD 8-12
15	1.96 lb	6300129	RIVET, SOLID - AN455AD 8-14

420M130
SIDEWALL ASSEMBLY, 53'

C/S SIDEWALL ASSEMBLY, 53' NATURAL INNER SURFACE

NOTE: OUTSIDE OF WALL SHOWN

421N075



NOTE: INSIDE OF WALL SHOWN

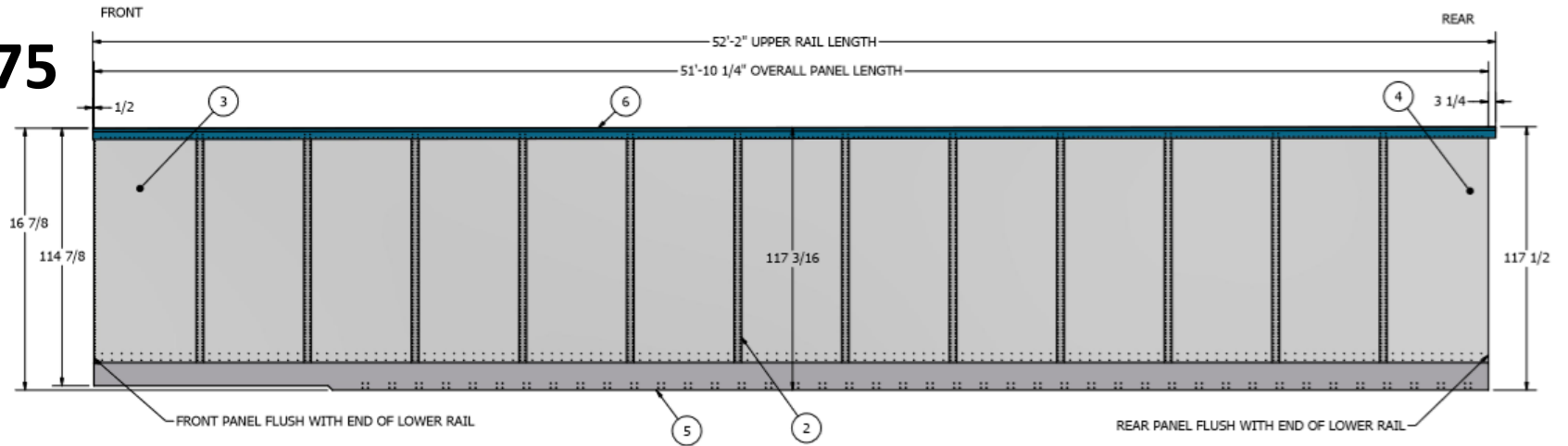


PARTS LIST			
ITEM	QTY	PART NUMBER	DESCRIPTION
1	12	4201116	LOGISTIC SIDEWALL POST
2	12	4201118	OUTER STRIP, PUNCHED
3	12	4201186	COMPOSITE SIDEWALL PANEL
4	1	4201187	REAR SIDEWALL PANEL
5	1	4202022	LOWER RAIL, C/S
6	1	4203022	UPPER RAIL - C/S
7	185	6000352	PIN, HUCK C6LB-R12-6GA ZINC
8	18	6000363	BOLT, 3/8-16 x 1-1/4 TORX
9	185	6100352	COLLAR, HUCK - GALVANIZED
10	18	6100377	NUT, 3/8-16 NYLOK PLATED
11	0.38 lb	6300097	RIVET, SOLID - AN455AD 8-16
12	0.04 lb	6300098	RIVET, SOLID - AN455AD 8-18
13	7.76 lb	6300108	RIVET, SOLID - AN455AD 8-10
14	2.20 lb	6300110	RIVET, SOLID - AN455AD 8-12
15	2.04 lb	6300129	RIVET, SOLID - AN455AD 8-14

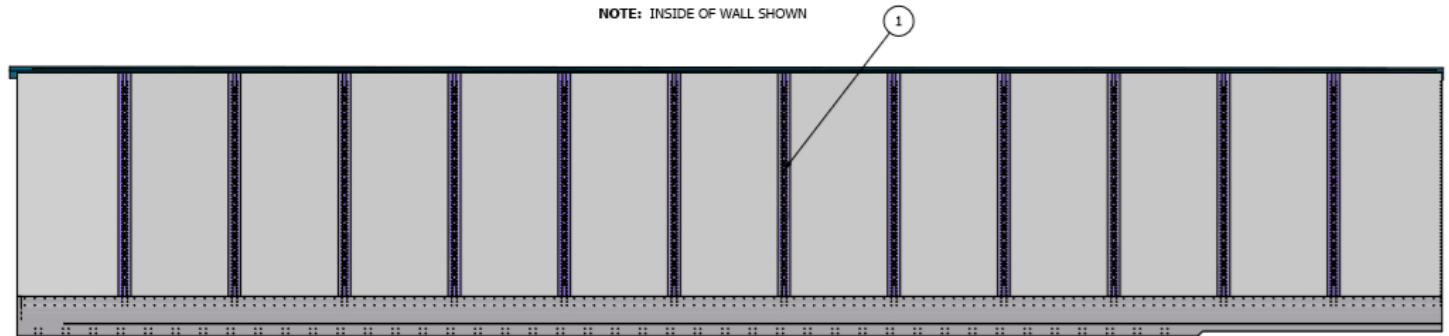
R/S SIDEWALL ASSEMBLY, 53' NATURAL INNER SURFACE

NOTE: OUTSIDE OF WALL SHOWN

422N075



NOTE: INSIDE OF WALL SHOWN



PARTS LIST			
ITEM	QTY	PART NUMBER	DESCRIPTION
1	12	4201116	LOGISTIC SIDEWALL POST
2	12	4201118	OUTER STRIP, PUNCHED
3	12	4201186	COMPOSITE SIDEWALL PANEL
4	1	4201187	REAR SIDEWALL PANEL
5	1	4202021	LOWER RAIL, R/S
6	1	4203021	UPPER RAIL - R/S
7	185	6000352	PIN, HUCK C6LB-R12-6GA ZINC
8	18	6000363	BOLT, 3/8-16 x 1-1/4 TORX
9	185	6100352	COLLAR, HUCK - GALVANIZED
10	18	6100377	NUT, 3/8-16 NYLOK PLATED
11	0.38 lb	6300097	RIVET, SOLID - AN455AD 8-16
12	0.04 lb	6300098	RIVET, SOLID - AN455AD 8-18
13	7.76 lb	6300108	RIVET, SOLID - AN455AD 8-10
14	2.20 lb	6300110	RIVET, SOLID - AN455AD 8-12
15	2.04 lb	6300129	RIVET, SOLID - AN455AD 8-14



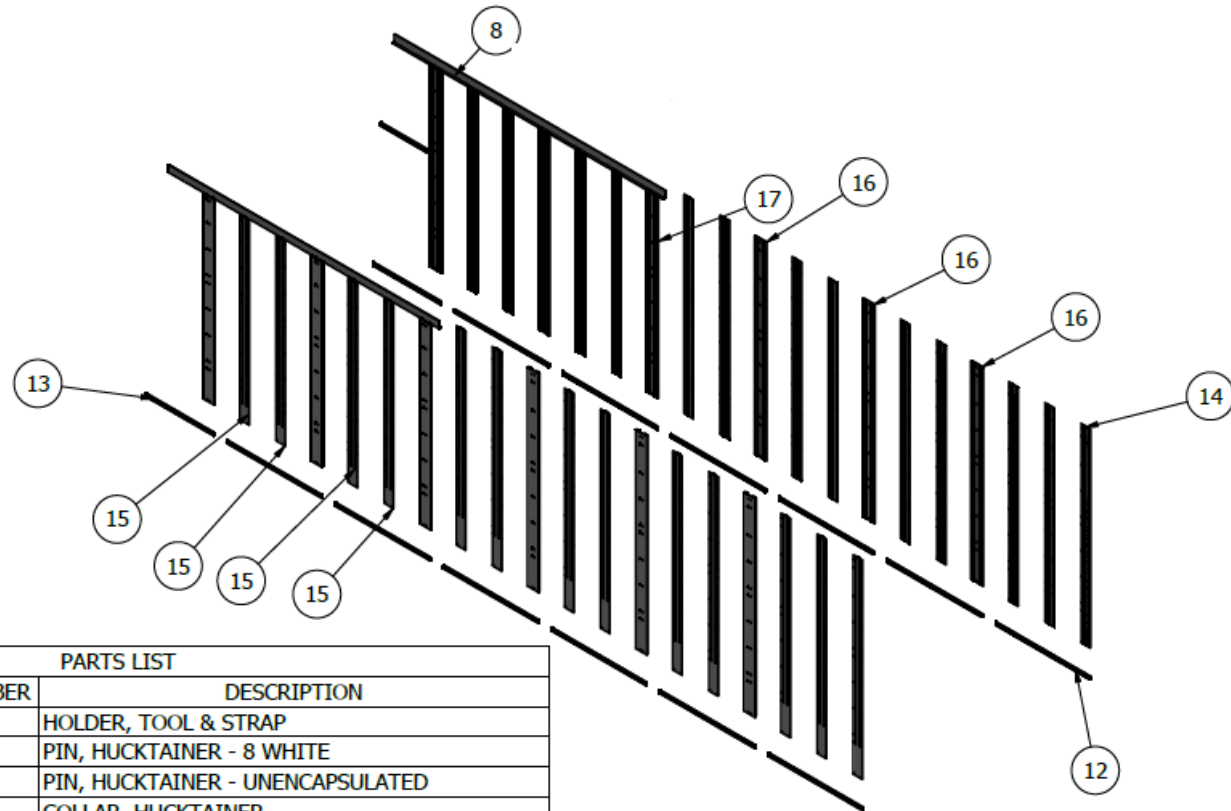
**ANCRA ASSEMBLIES
FOR
LTL XPO TRAILERS**

ANCRA LIFT-A-DECK-NEW, LTL28' EXTENDED TRACK

420N910

TRAILER MODELS:

LTL28N00A-28, LTL28N00A-30,
LTL28N00A-31, LTL28N00A-35



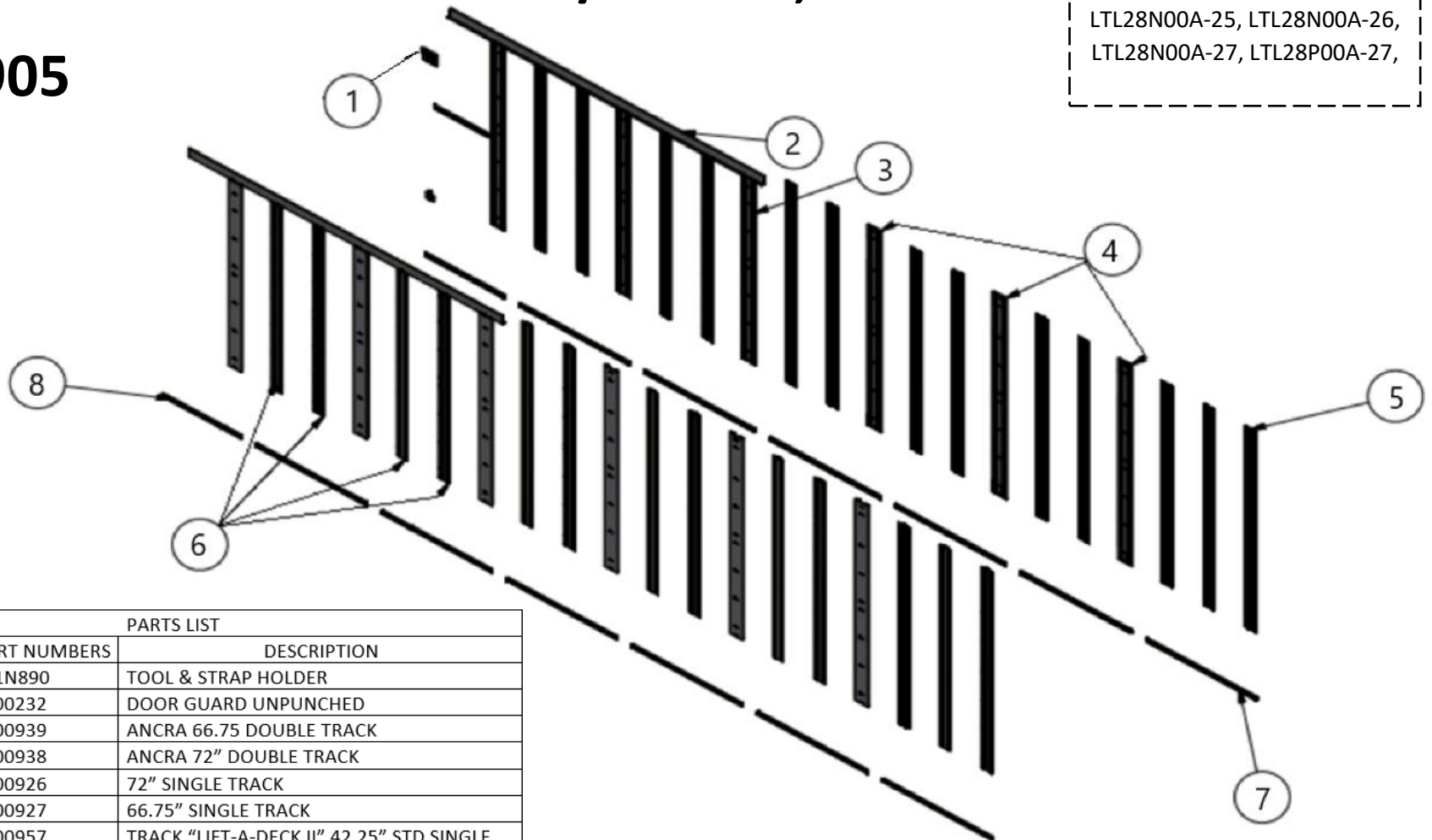
PARTS LIST			
ITEM	QTY	PART NUMBER	DESCRIPTION
1	1	421N890	HOLDER, TOOL & STRAP
2	364	6000410	PIN, HUCKTAINER - 8 WHITE
3	16	6000610	PIN, HUCKTAINER - UNENCAPSULATED
4	380	6100410	COLLAR, HUCKTAINER
5	12	6300158	RIVET, POP - SS86SSBS (1/4" D x 3/8" L)
6	54	6300174	RIVET, POP - AB8-8CLD
7	3	7800570	LORD MAXLOCK MX/T6 ADHESIVE
8	2	9000232	DOOR GUARD, UNPUNCHED
9	25	9000913	DECK BEAM, LIFT-A-DECK
10	50	9000931	BEAM STOP
11	8	9000932	CARGO STRAP, 2" x 16' RED
12	12	9000957	TRACK, ANCRA LOW-PRO
13	2	9000958	REAR TRACK
14	18	9002226	ANCRA 84.00" SINGLE TRACK
15	8	9002227	ANCRA 78.75" SINGLE TRACK
16	6	9002238	ANCRA-84" DOUBLE TRACK
17	6	9002239	ANCRA 78.75" DOUBLE TRACK

Go to [ANCRA](https://www.ancra.com) for Ancra Lift-A-Deck Vertical Tracks

ANCRA LIFT-A-DECK-NEW W/BEAMS, LTL28' 420N905

TRAILER MODELS:

LTL28N00A-25, LTL28N00A-26,
LTL28N00A-27, LTL28P00A-27,



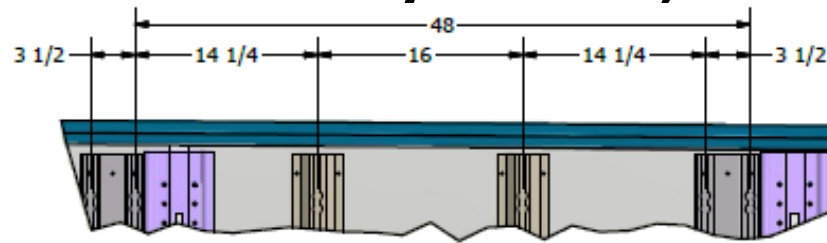
PARTS LIST			
ITEM	QTY	PART NUMBERS	DESCRIPTION
1	1	421N890	TOOL & STRAP HOLDER
2	2	8000232	DOOR GUARD UNPUNCHED
3	6	9000939	ANCRA 66.75 DOUBLE TRACK
4	6	9000938	ANCRA 72" DOUBLE TRACK
5	18	9000926	72" SINGLE TRACK
6	8	9000927	66.75" SINGLE TRACK
7	12	9000957	TRACK "LIFT-A-DECK II" 42.25" STD SINGLE
8	2	9000958	REAR TRACK
	25	9000913	DECK BEAM "LIFT-A-DECK"
	1	9000930	TRIGGER RELEASE BAR
	50	9000931	BEAM STOP
	8	9000932	CARGO STRAP 2" x 16' RED STENCILED
	328	6000410	PIN HUCKTAINER, 8-WHITE
	14	6000610	PIN HUCKTAINER, UNENCAPSULATED
	342	6100410	COLLAR, HUCKTAINER
	12	6300158	RIVET, POP
	54	6300174	RIVET, POP AB8-8CLD

Go to [ANCRA](#) for Ancra Lift-A-Deck Vertical Tracks

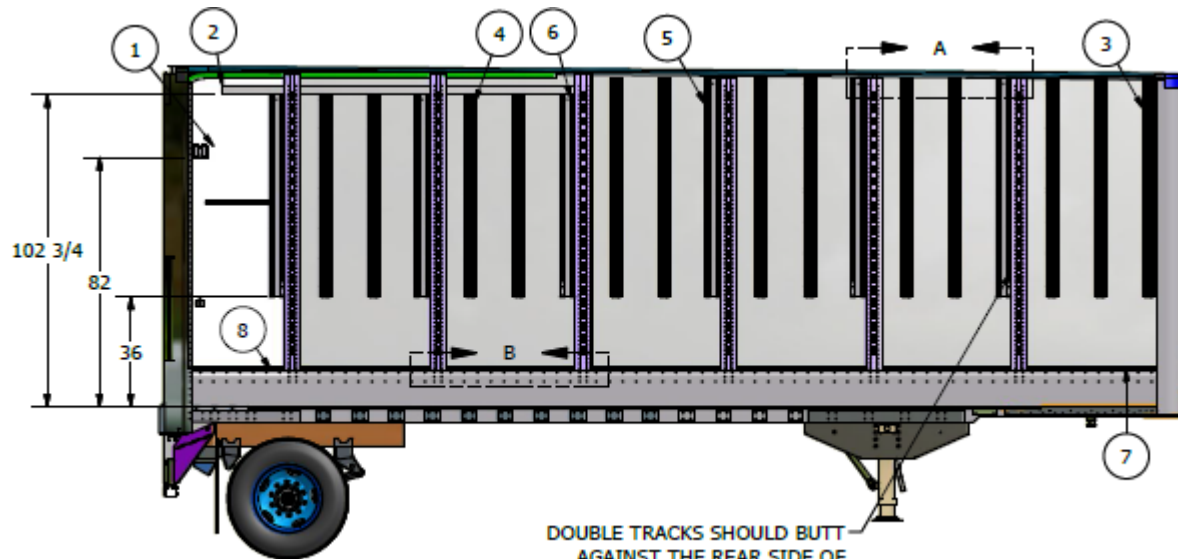
ANCRA LIFT-A-DECK-NEW W/BEAMS, LTL28'

421N923

Go to [ANCRA](http://ANCRA.com) for Ancra Lift-A-Deck Vertical Tracks



DETAIL A
SCALE 1/10



DOUBLE TRACKS SHOULD BUTT AGAINST THE REAR SIDE OF THE INNER SIDEWALL POSTS.

NOTE: ROAD SIDE SHOWN. QTY REPRESENTS R/S ONLY

900N923 - R/S			
ITEM	QTY	PART NUMBER	DESCRIPTION
1	1	421N890	HOLDER, TOOL & STRAP
2	1	9000232	DOOR GUARD, UNPUNCHED
3	9	9000926	TRACK, 72" SINGLE
4	4	9000927	TRACK, 66.75" SINGLE TRACK
5	3	9000938	TRACK, ANCRA-72" DOUBLE
6	3	9000939	TRACK, 66.75" DOULBE
7	6	9000957	TRACK, ANCRA LOW-PRO
8	1	9000958	REAR TRACK

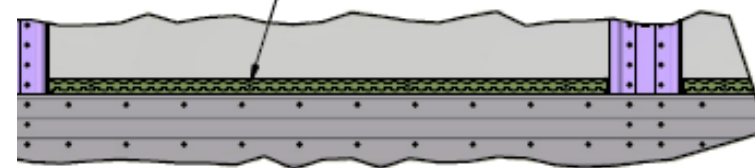
TRAILER MODELS:

- LTL28N00A-10, LTL28N00A-12,
- LTL28U00A-12, LTL28N00A-13,
- LTL28U00A-13, LTL28U00A-14,
- LTL28N00A-14, LTL28N00A-15,
- LTL28N00A-16, LTL28N00A-17,
- LTL28U00A-21, LTL28N00A-22,
- LTL28U00A-23

PARTS NOT SHOWN

- TRIGGER RELEASE BAR QTY: 1 PN:9000930
- CARGO STRAP 2" x 16' BLUE STENCILED QTY: 8 PN: 9000932
- BEAM STOP QTY: 50 PN: 9000931
- DECK BEAM "LIFT-A-DECK" QTY: 25 PN: 9000913
- DECAL, STRAP STORAGE QTY:1 PN: 7500407
- DECAL, RELEASE HANDLE - ANCRA QTY: 1 PN: 7500406
- RIVET, POP - SSD86SSBS (1/4" D. x 3/8" L.) QTY: 12 PN: 6300158
- RIVET, POP - AB8-8CLD QTY: 744 PN: 6300174
- TOP PLATE ASSM, TOOL HOLDER QTY: 1 PN: 421N891
- BOTTOM PLATE ASSM. TOOL HOLDER QTY: PN: 421N892
- HOLDER, STRAP QTY: 1 PN: 9000981

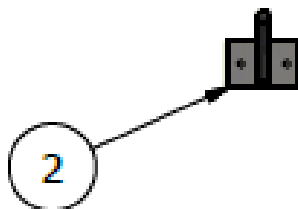
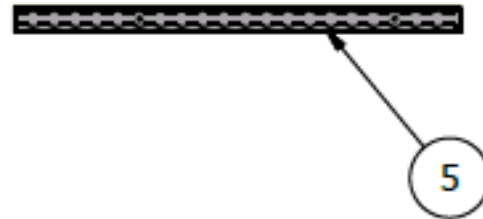
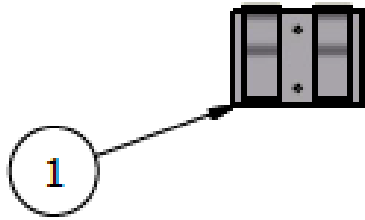
9000957 TO SIT ON TOP OF BOTTOM RAIL AND CENTERED BETWEEN INNER SIDEWALL POSTS.



DETAIL B
SCALE 1/10

TOOL AND STRAP HOLDER ASSEMBLY

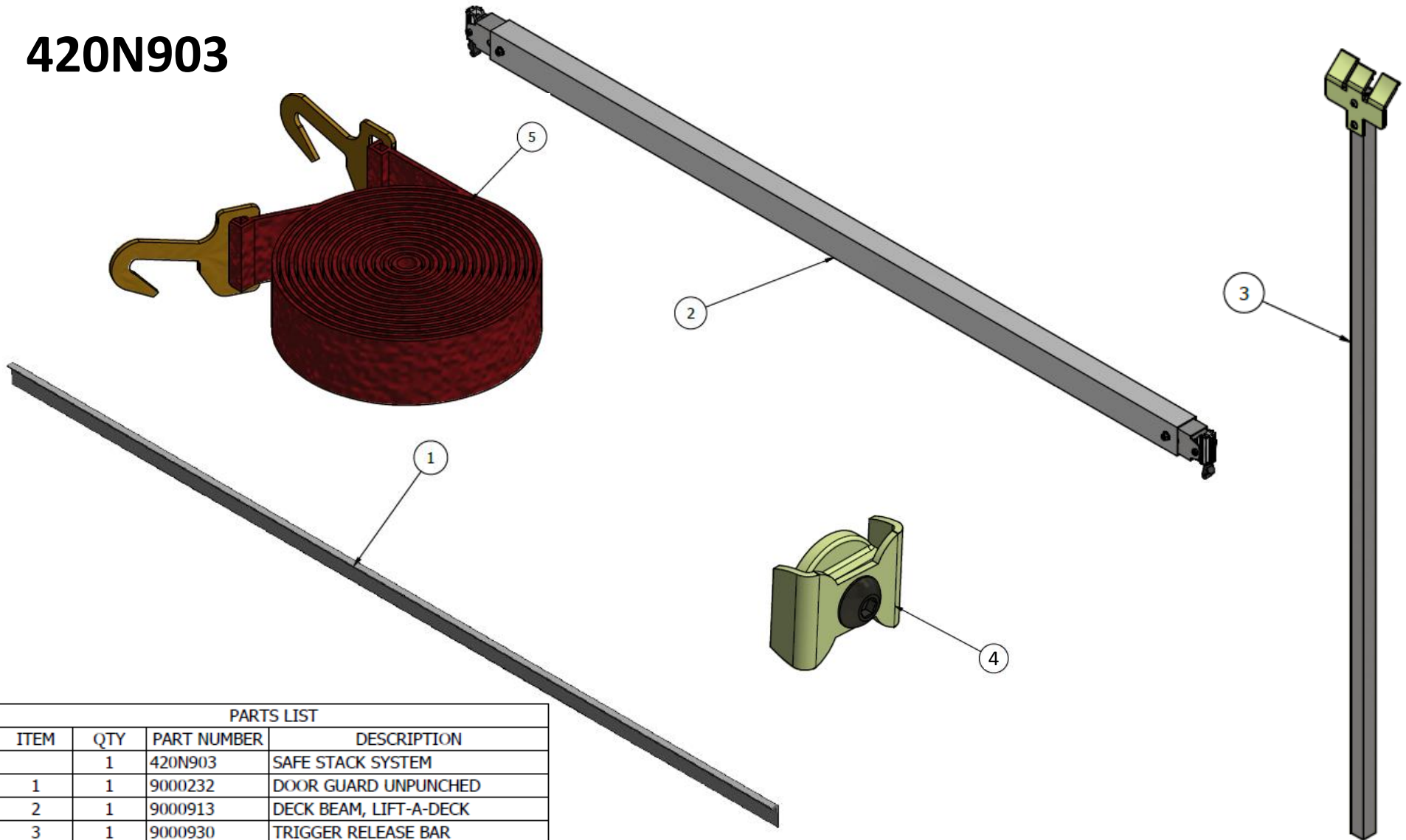
421N890



PARTS LIST			
ITEM	QTY	PART NUMBER	DESCRIPTION
1	1	421N891	TOP PLATE ASSM, TOOL HOLDER
2	1	421N892	BOTTOM PLATE ASSM, TOOL HOLDER
3	6	6000410	PIN, HUCKTAINER - 8 WHITE
4	6	6100410	COLLAR, HUCKTAINER
5	1	9000981	HOLDER, STRAP

SAFE STACK SYSTEM

420N903

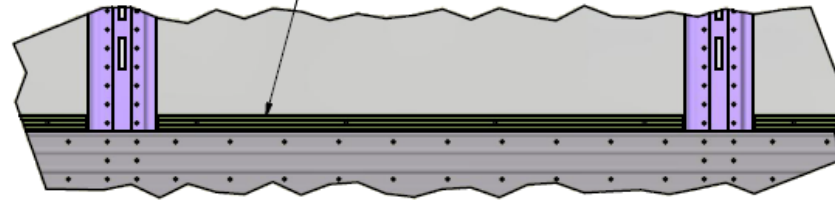


PARTS LIST			
ITEM	QTY	PART NUMBER	DESCRIPTION
	1	420N903	SAFE STACK SYSTEM
1	1	9000232	DOOR GUARD UNPUNCHED
2	1	9000913	DECK BEAM, LIFT-A-DECK
3	1	9000930	TRIGGER RELEASE BAR
4	1	9000931	BEAM STOP
5	1	9000932	CARGO STRAP

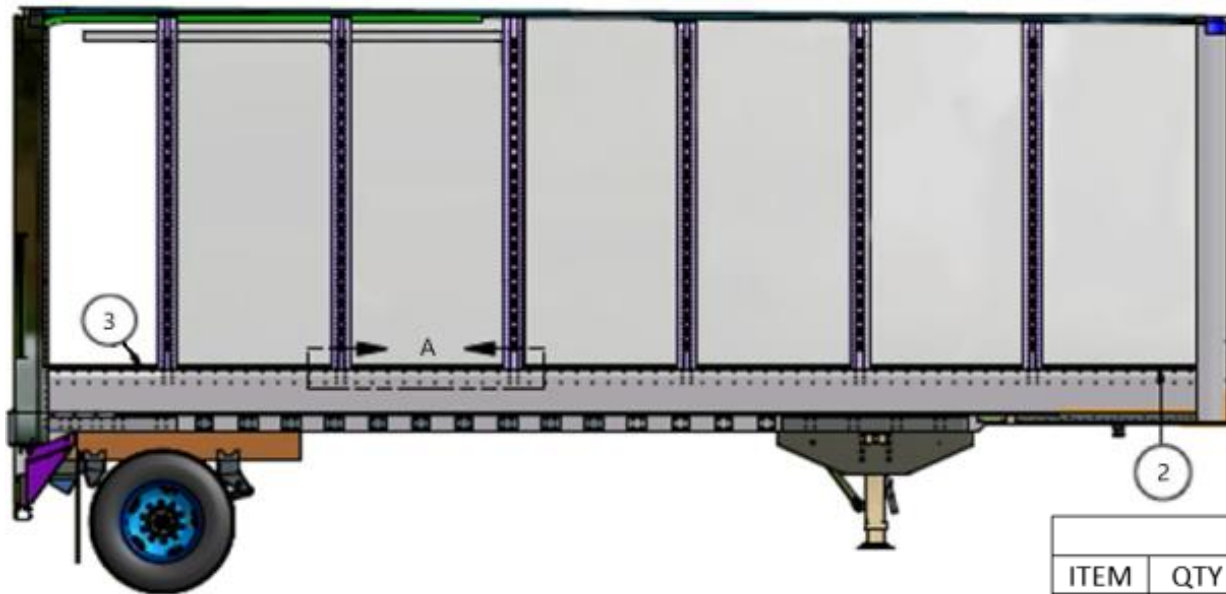
ANCRA HORIZONTAL TIE-DOWN BAR ASSY, LTL28'

421N927

9000957 TO SIT ON TOP OF BOTTOM RAIL AND CENTERED BETWEEN INNER SIDEWALL POSTS.



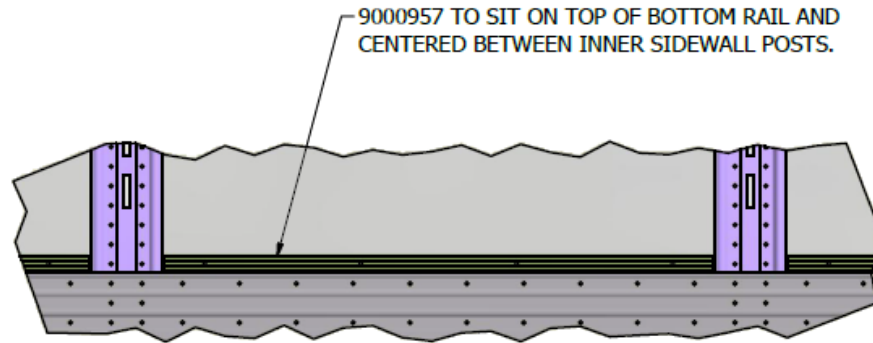
DETAIL A
SCALE 1/10



PARTS LIST			
ITEM	QTY	PART NUMBER	DESCRIPTION
1	54	6300174	RIVET, POP-AB8-8CLD
2	12	9000957	TRACK, ANCRA LOW-PRO
3	2	9000958	REAR TRACK

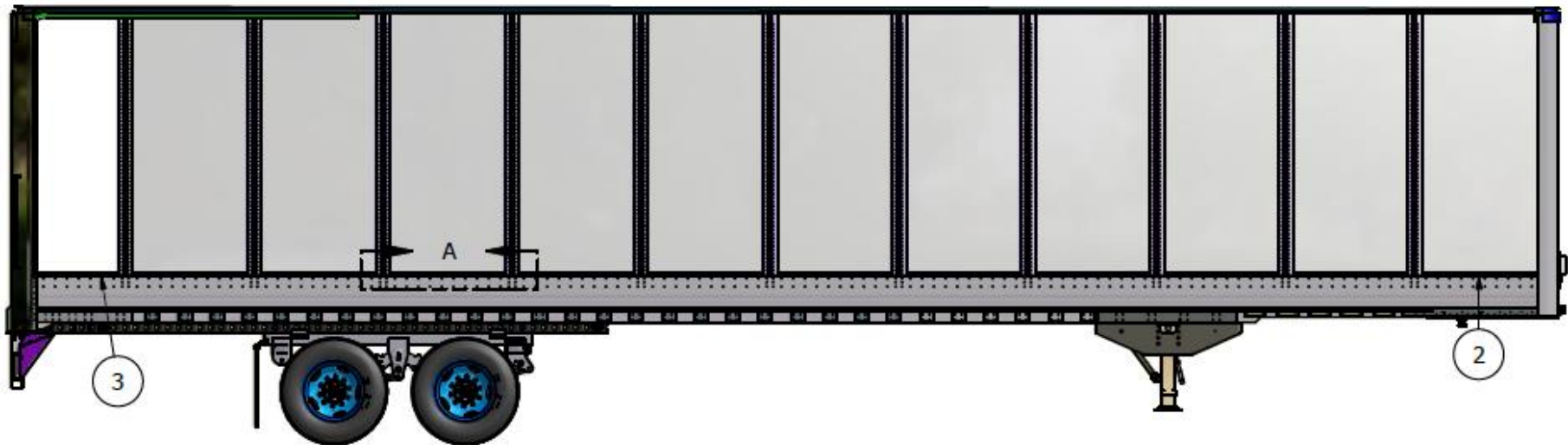
ANCRA HORIZONTAL TIE-DOWN ASSEMBLY, 48'

421N925



9000957 TO SIT ON TOP OF BOTTOM RAIL AND CENTERED BETWEEN INNER SIDEWALL POSTS.

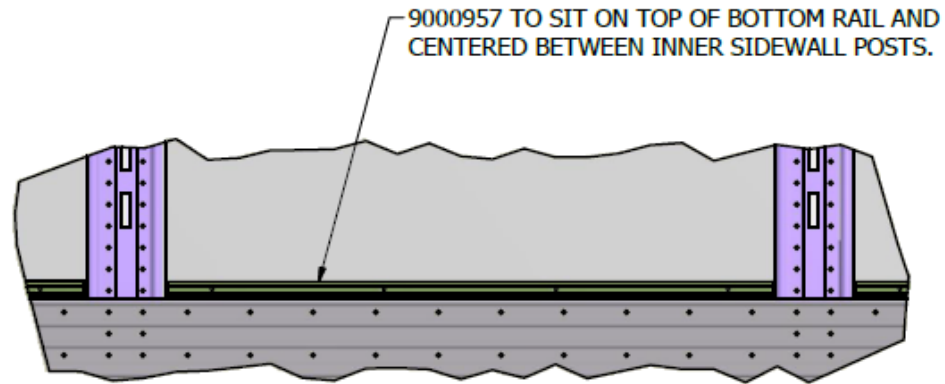
DETAIL A
SCALE 1/10



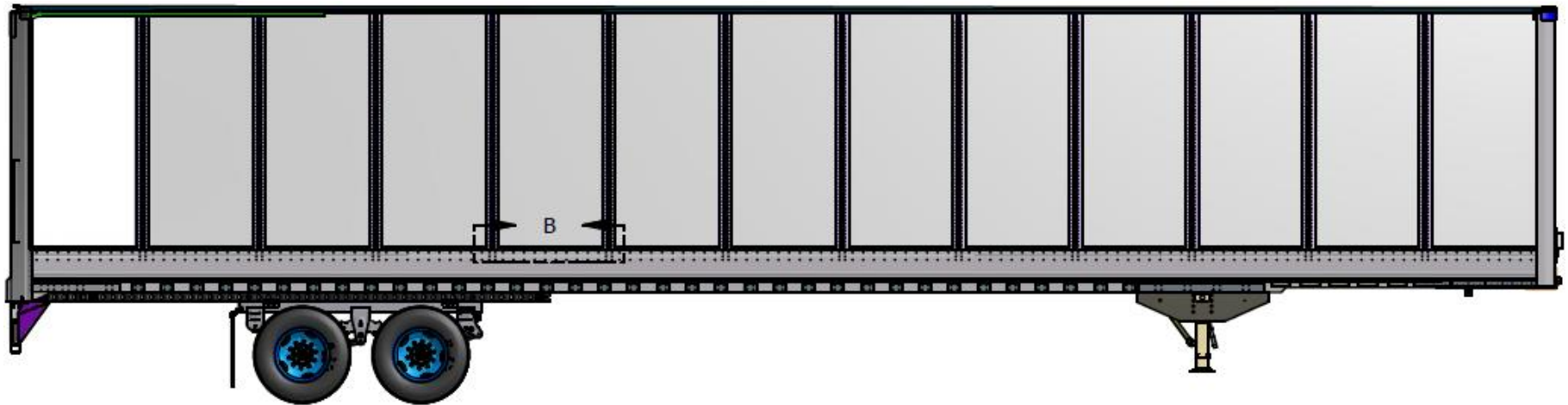
PARTS LIST			
ITEM	QTY	PART NUMBER	DESCRIPTION
1	94	6300174	RIVET, POP-AB8-8CLD
2	22	9000957	TRACK, ANCRA LOW-PRO
3	2	9000958	REAR TRACK

ANCRA HORIZONTAL TIE-DOWN ASSEMBLY, 53'

421N926



DETAIL B
SCALE 1/10



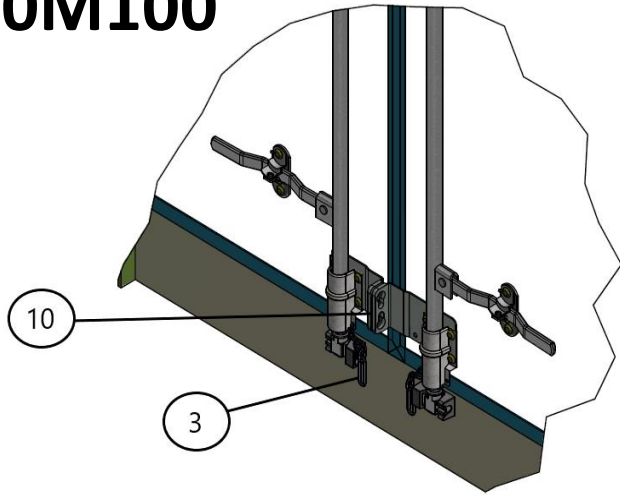
PARTS LIST			
ITEM	QTY	PART NUMBER	DESCRIPTION
1	104	6300174	RIVET, POP - AB8-8CLD
2	26	9000957	TRACK, ANCRA LOW-PRO



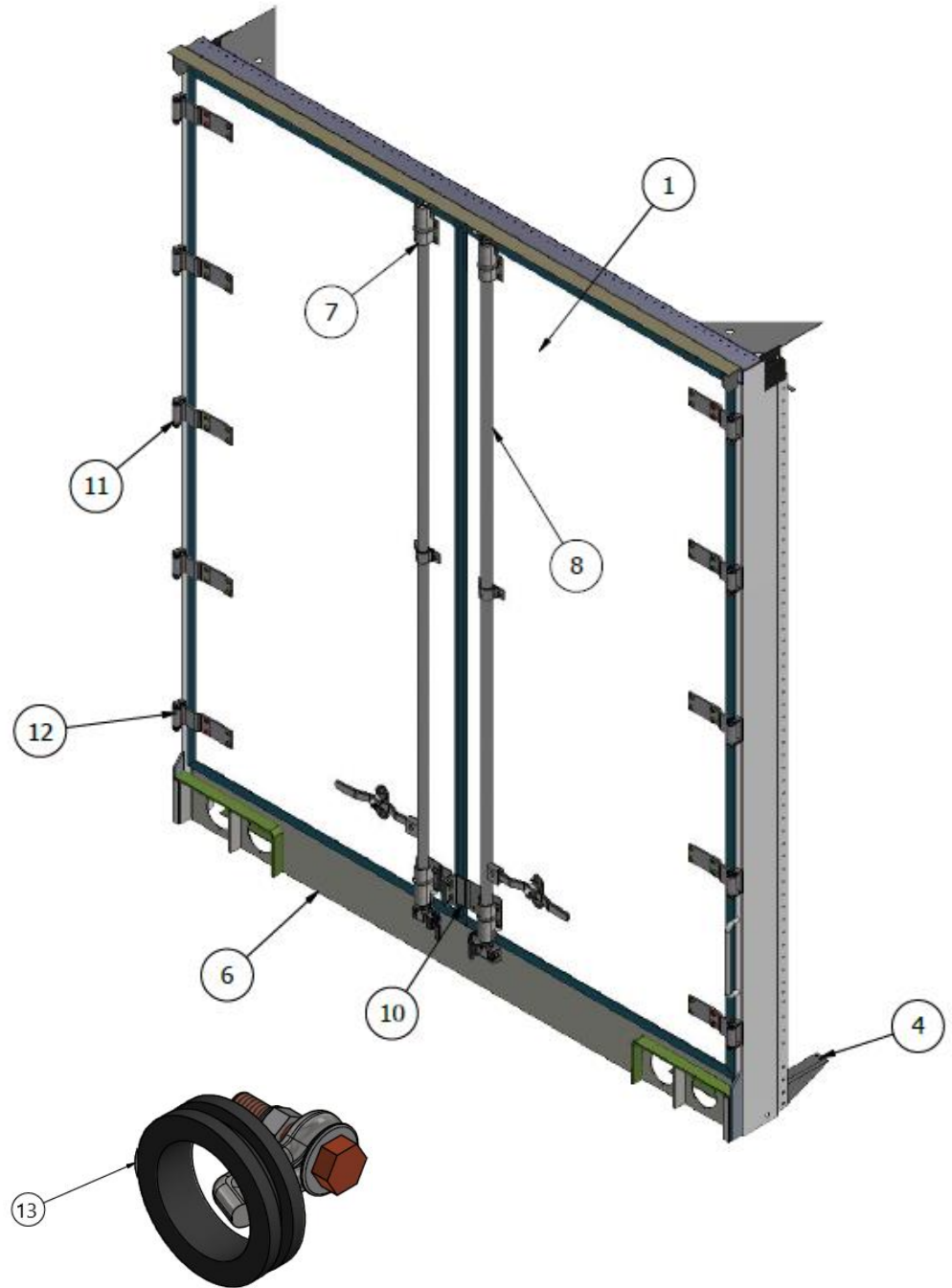
**DOOR ASSEMBLIES
FOR
LTL XPO TRAILERS**

SWING DOOR ASSEMBLY

500M100

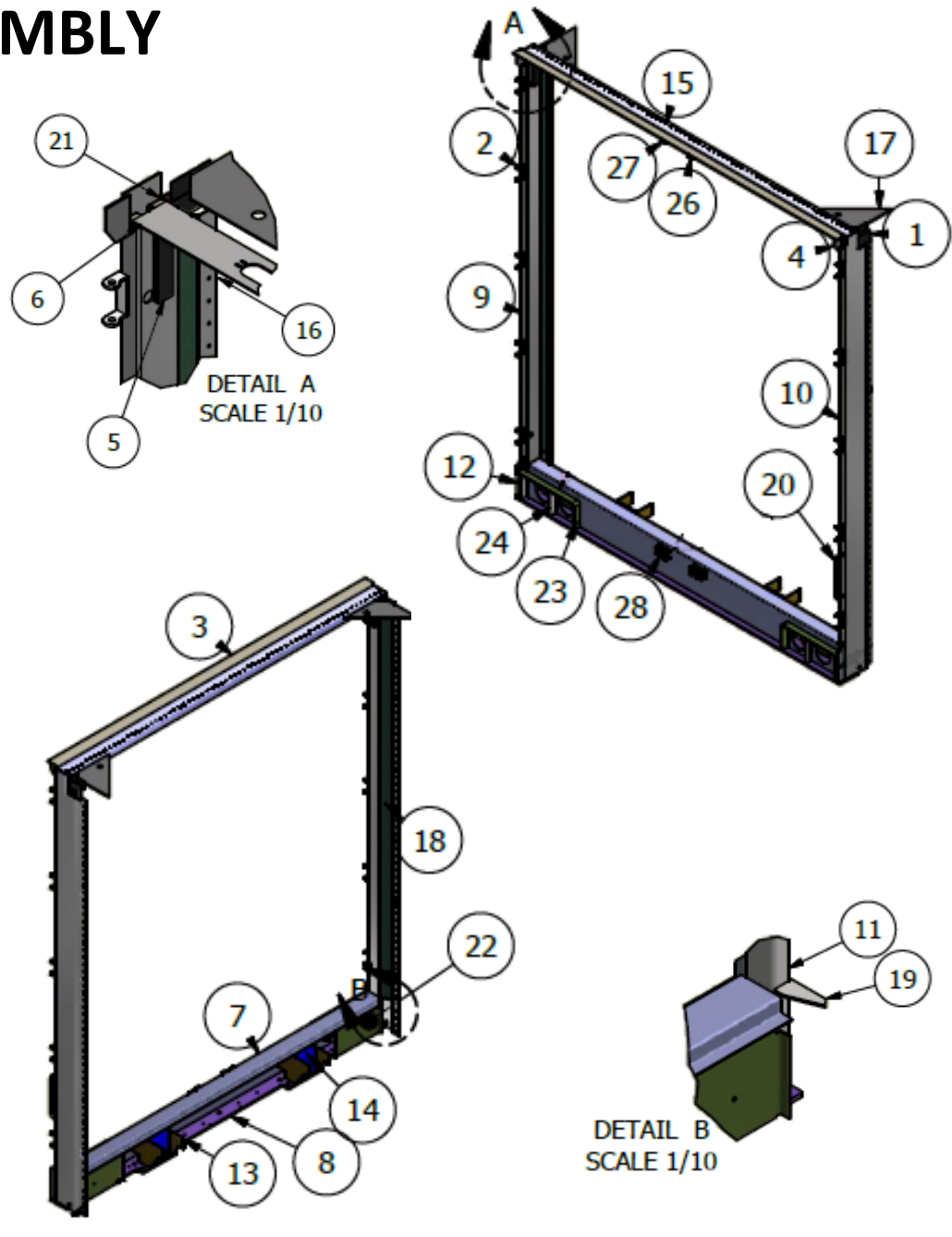


PARTS LIST			
ITEM	QTY	PART NUMBER	DESCRIPTION
	1	500M100	DOOR FRAME ASSEMBLY
1	2	4300246	SWING DOOR, 1/2" COMPOSITE
2	2	4300423	DOOR HOLBACK LOOP W/ 3 LINKS
3	2	4300424	LOOP ATTACH LINK
4	1	4300593-G	DOOR FRAME GUSSET, CS
5	1	4300594-G	DOOR FRAME GUSSET, RS
6	1	430M031-G	DOOR FRAME SWING
7	1	430N104	LOCK ROD AY, R.H.
8	1	430N105	LOCK ROD AY, L.H.
9	4	430N119	SWING DOOR LATCH-ANTI THEFT PINS
10	1	430N120	ANTI-THELF PLATE KIT
11	6	430N123	HINGE ASSY, SEING DOOR
12	4	430N124	HINGE ASSY, CORNER SWING DOORS
13	2	430N147	DOOR HOLD BACK ASSY
14	6	6000352	PIN, HUCK
15	3	6100256	NUT, 1/4"-20 KEP STAINLESS
16	4	6100352	COLLAR, HUCK
17	3	8000266	CLAMP, RUBBER CUSHION
18	1	8000451	GROMMET, 1 1/16"
19	1	8000458	GROMMET 5/8"



SWING DOOR FRAME ASSEMBLY

430M031

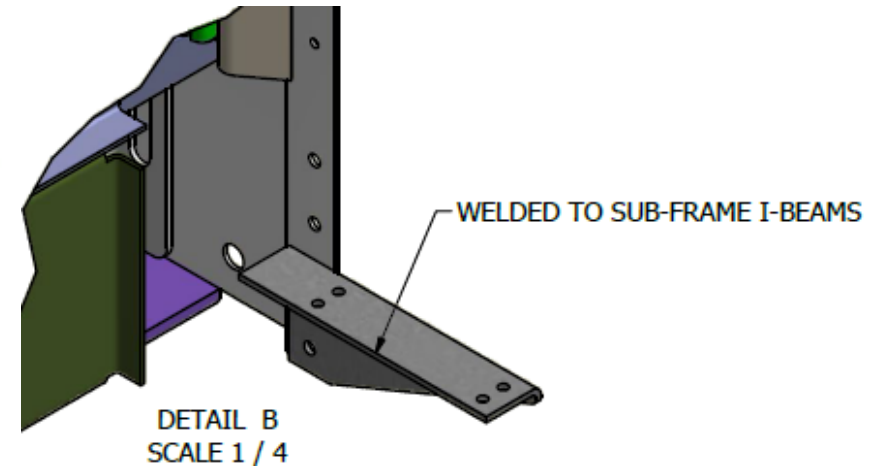
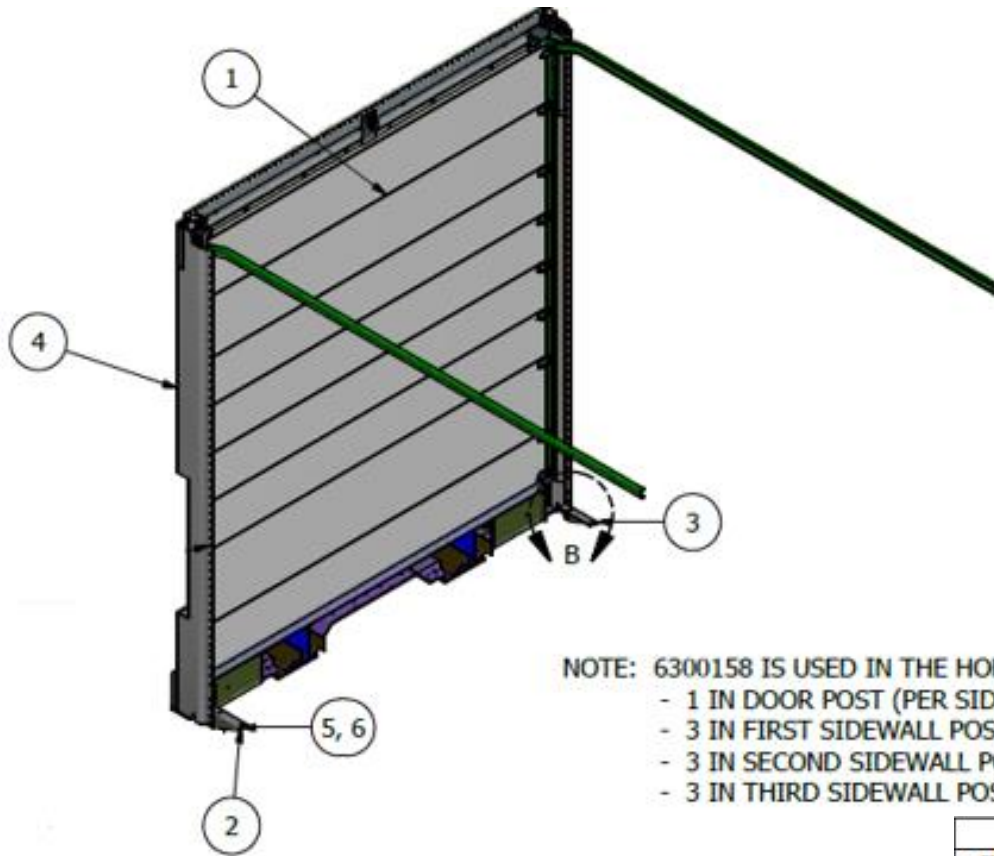


PARTS LIST

ITEM	QTY	PART NUMBER	DESCRIPTION
1	2	4100407	SUPPORT, UPPER RAIL
2	10	4300161	HINGE BUTT, SWING DOOR, CARBON STEEL
3	1	4300164	HEADER PROTECTOR
4	2	4300166	HINGE PROTECTOR
5	2	4300180	ANGLE, DOOR POST SUPPORT
6	2	4300214	SUPPORT, TOP CORNER
7	1	4300560	DOOR SILL - FORMED
8	1	4300561	DOOR SILL SUPPORT PLATE
9	1	4300562	R/S DOOR POST
10	1	4300563	C/S DOOR POST
11	2	4300566	DOOR POST REINFORCEMENT
12	2	4300567	DOOR FRAME CORNER GUARD
13	4	4300570	BUMPER MOUNT GUSSET
14	2	4300571	BUMPR mounting PLATE
15	1	4300575	DOOR HEADER, STAINLESS STEEL
16	1	4300576	DOOR HEADER BASE
17	2	4300577	GUSSET, HEADER WITH HOLE
18	2	4300578	DOOR POST SUPPORT ANGLE
19	2	4300579	DOOR POST COVER PLATE
20	1	4300587	GRAB HANDLE
21	2	4300589	TOP COVER PLATE
22	2	4300591	TAIL LIGHT COVER PLATE
23	2	4300631	TAIL LIGHT GUARD, HD
24	4	4300632	TAIL LIGHT CENTER GUARD, HD
25	2	4300641	CORNER COVER PLATE, HD
26	1	4305345	KEEPER, SH WELD ON LH TOP
27	1	4305346	KEEPER, SH WELD ON RH TOP
28	2	4305347	KEEPER, HV WELD ON BOTTOM

ROLL UP DOOR ASSEMBLY

500M101



TRAILER MODELS:

LTL28N00A-10, LTL28N00A-12, LTL28N00A-13, LTL28N00A-14, LTL28N00A-15, LTL28N00A-16, LTL28N00A-17

LTL48N00A-10, LTL48N00A-12, LTL48N00A-13, LTL48N00A-15, LTL48N00A-16, LTL48N00A-17

LTL53N00A-16

NOTE: 6300158 IS USED IN THE HORIZONTAL DOOR TRACKS

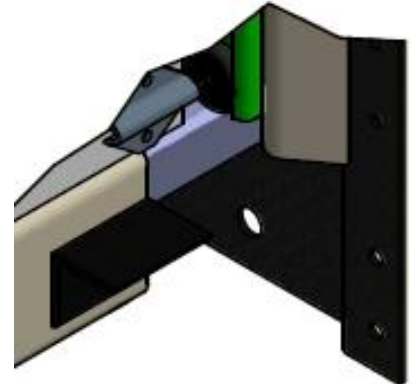
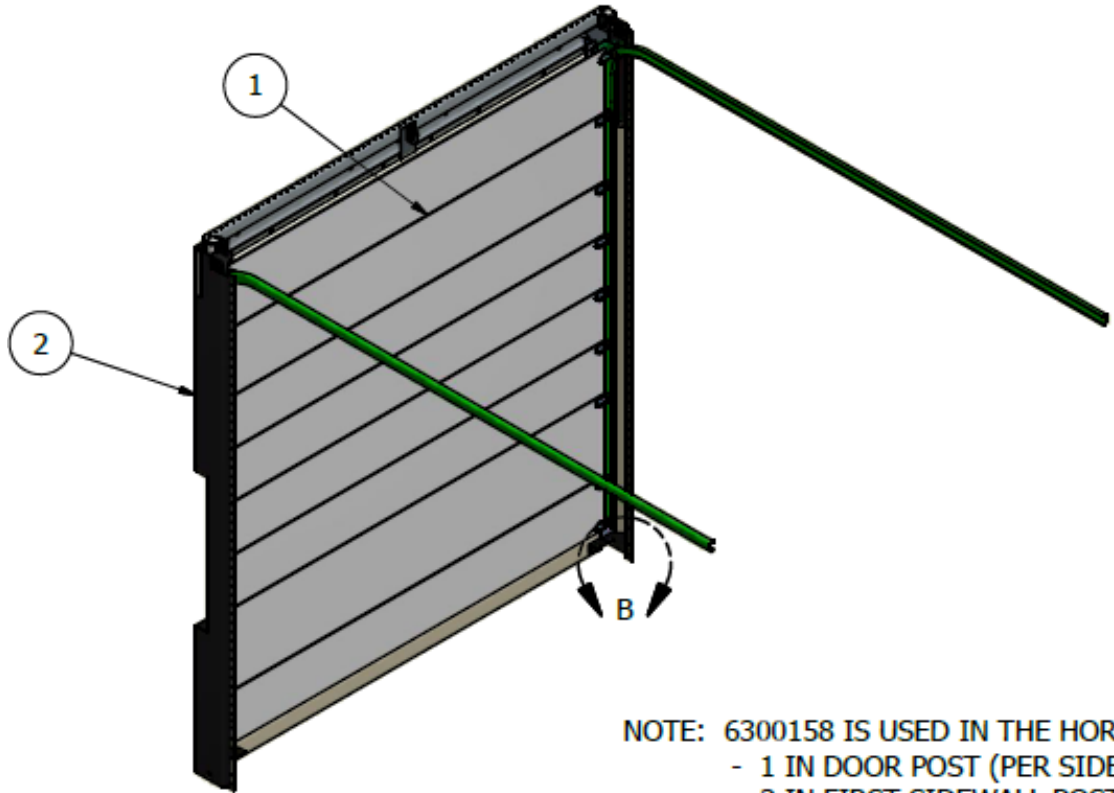
- 1 IN DOOR POST (PER SIDE)
- 3 IN FIRST SIDEWALL POST (PER SIDE)
- 3 IN SECOND SIDEWALL POST (PER SIDE)
- 3 IN THIRD SIDEWALL POST (PER SIDE)

PARTS LIST			
ITEM	QTY	PART NUMBER	DESCRIPTION
1	1	4300630	DOOR, ROLL-UP, 1/4" COMPOSITE
2	1	4300593	DOOR FRAME GUSSET - C/S
3	1	4300594	DOOR FRAME GUSSET - R/S
4	1	430M032	DOOR FRAME ASSEMBLY
5	4	6000352	PIN, HUCK C6LB-R12-6GA ZINC
6	4	6100352	COLLAR, HUCK - GALVANIZED
7	20	6300158	RIVET, POP - SSD86SSBS (1/4" D x 3/8" L)

ROLL UP DOOR ASSEMBLY

500M102

TRAILER MODELS:
 LTL28NL0A-10, LTL28UL0A-13,
 LTL28UL0B-13
 LTL48NL0A-13



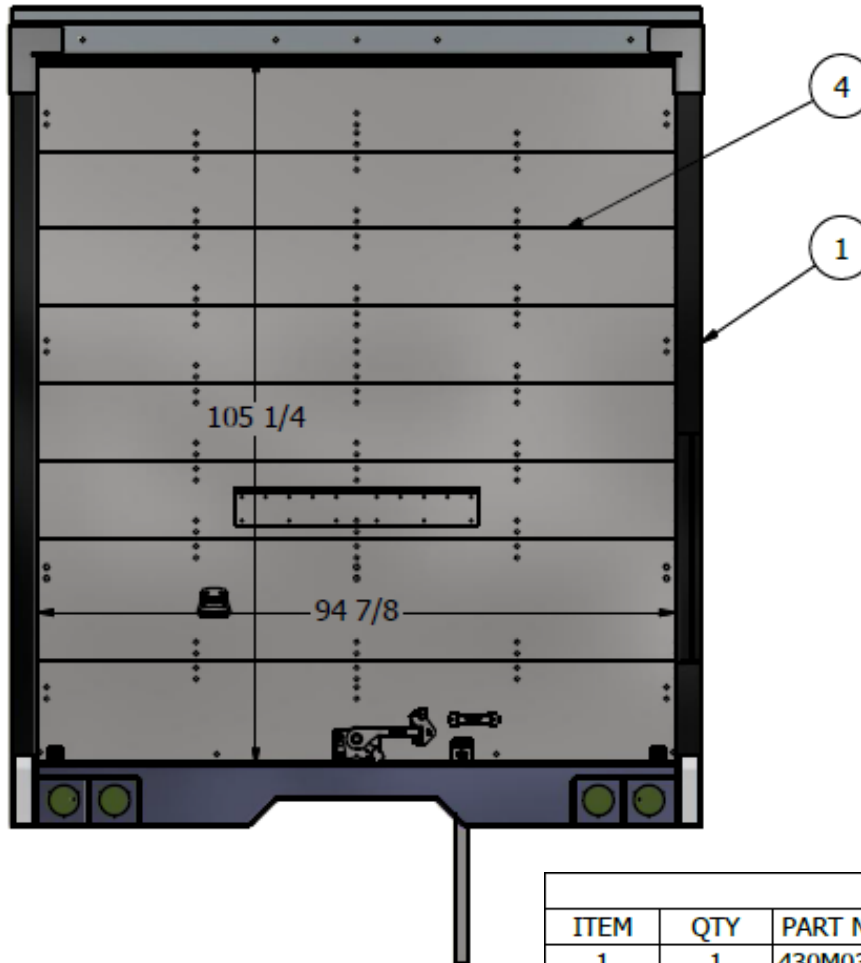
DETAIL B
 SCALE 1 / 4

NOTE: 6300158 IS USED IN THE HORIZONTAL DOOR TRACKS
 - 1 IN DOOR POST (PER SIDE)
 - 3 IN FIRST SIDEWALL POST (PER SIDE)
 - 3 IN SECOND SIDEWALL POST (PER SIDE)
 - 3 IN THIRD SIDEWALL POST (PER SIDE)

PARTS LIST			
ITEM	QTY	PART NUMBER	DESCRIPTION
1	1	4300630	DOOR, ROLL-UP, 1/4" COMPOSITE
2	1	430M033	DOOR FRAME ASSEMBLY
3	20	6300158	RIVET, POP - SSD86SSBS (1/4" D x 3/8" L)

ROLL UP DOOR ASSEMBLY

500M105



TRAILER MODELS:
 LTL28N00A-20, LTL28N00A-21, LTL28N00A-22,
 LTL28N00A-23, LTL28N00A-24, LTL28N00A-25,
 LTL28N00A-26, LTL28N00A-27, LTL28N00A-27,
 LTL48N00A-20, LTL48N00A-21, LTL48N00A-22,
 LTL48N00A-23

PARTS LIST			
ITEM	QTY	PART NUMBER	DESCRIPTION
1	1	430M036	DOOR FRAME ASSEMBLY
2	1	4300593	DOOR FRAME GUSSET - C/S
3	1	4300594	DOOR FRAME GUSSET - R/S
4	1	4300630	DOOR, ROLL-UP, 1/4" COMPOSITE

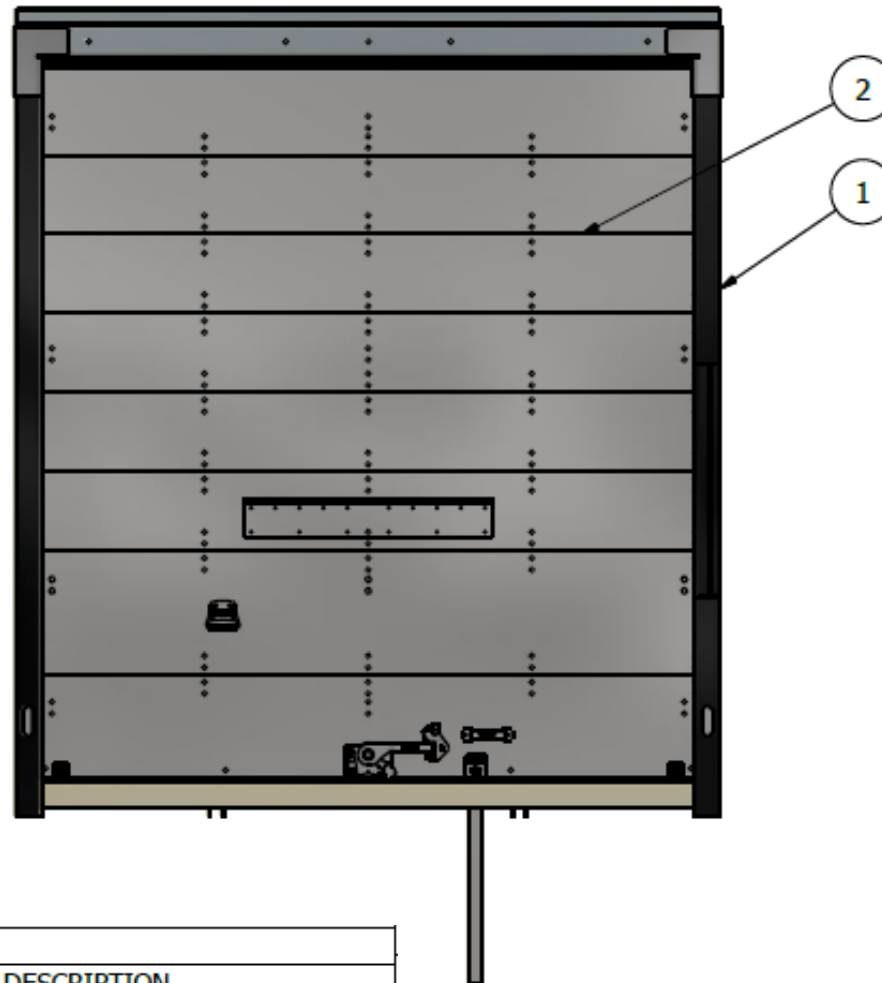
ROLL UP DOOR ASSEMBLY

500M106

TRAILER MODELS:

LTL28UL0A-27

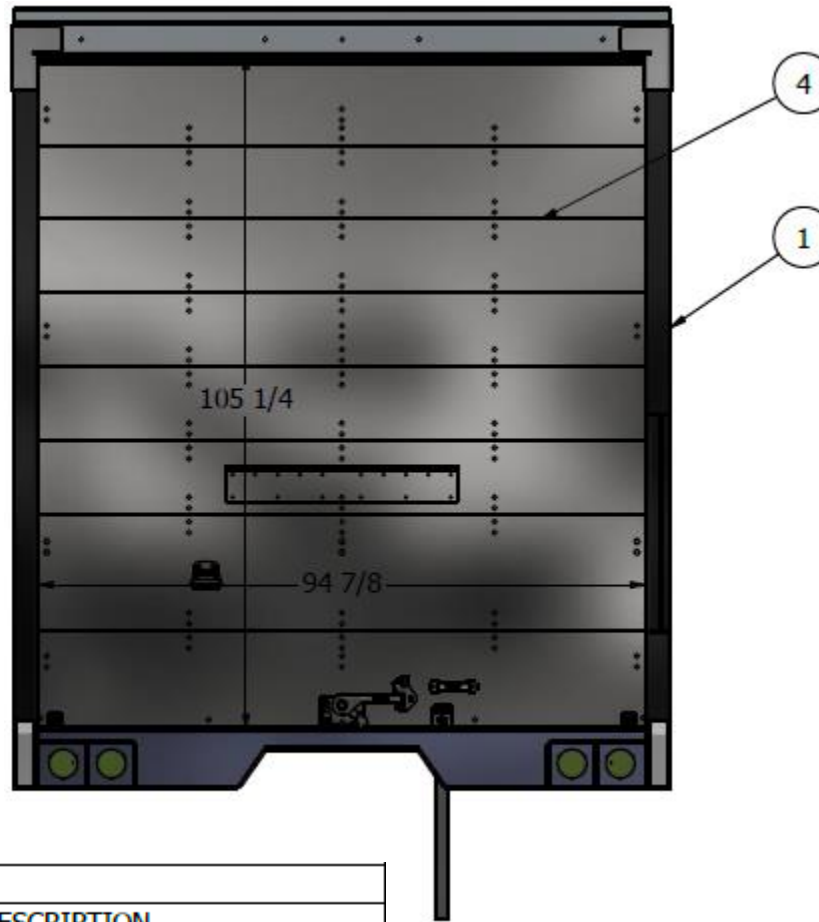
LTL48UL0A-23



PARTS LIST			
ITEM	QTY	PART NUMBER	DESCRIPTION
1	1	430M038	DOOR FRAME ASSEMBLY
2	1	4300630	DOOR, ROLL-UP, 1/4" COMPOSITE
3	20	6300158	RIVET, POP - SSD86SSBS (1/4" D x 3/8" L)

ROLL UP DOOR ASSEMBLY

500M108



TRAILER MODELS:

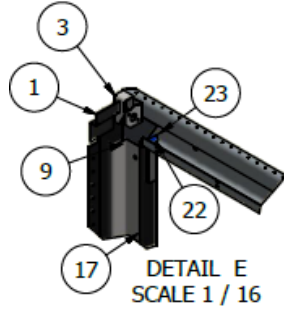
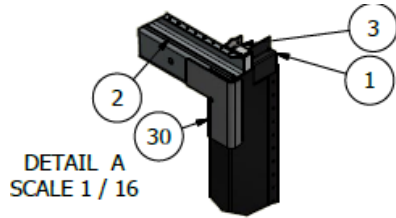
- LTL28N00A-30
- LTL28N00A-31
- LTL28N00A-32
- LTL28N00A-33
- LTL28N00A-34
- LTL28N00A-35
- LTL48N00A-25
- LTL48N00A-35
- LTL48N00A-36
- LTL48N00A-37
- LTL48N00A-38

PARTS LIST

ITEM	QTY	PART NUMBER	DESCRIPTION
1	1	430M040	DOOR FRAME ASSEMBLY
2	1	4300593	DOOR FRAME GUSSET - C/S
3	1	4300594	DOOR FRAME GUSSET - R/S
4	1	4300630	DOOR, ROLL-UP, 1/4" COMPOSITE

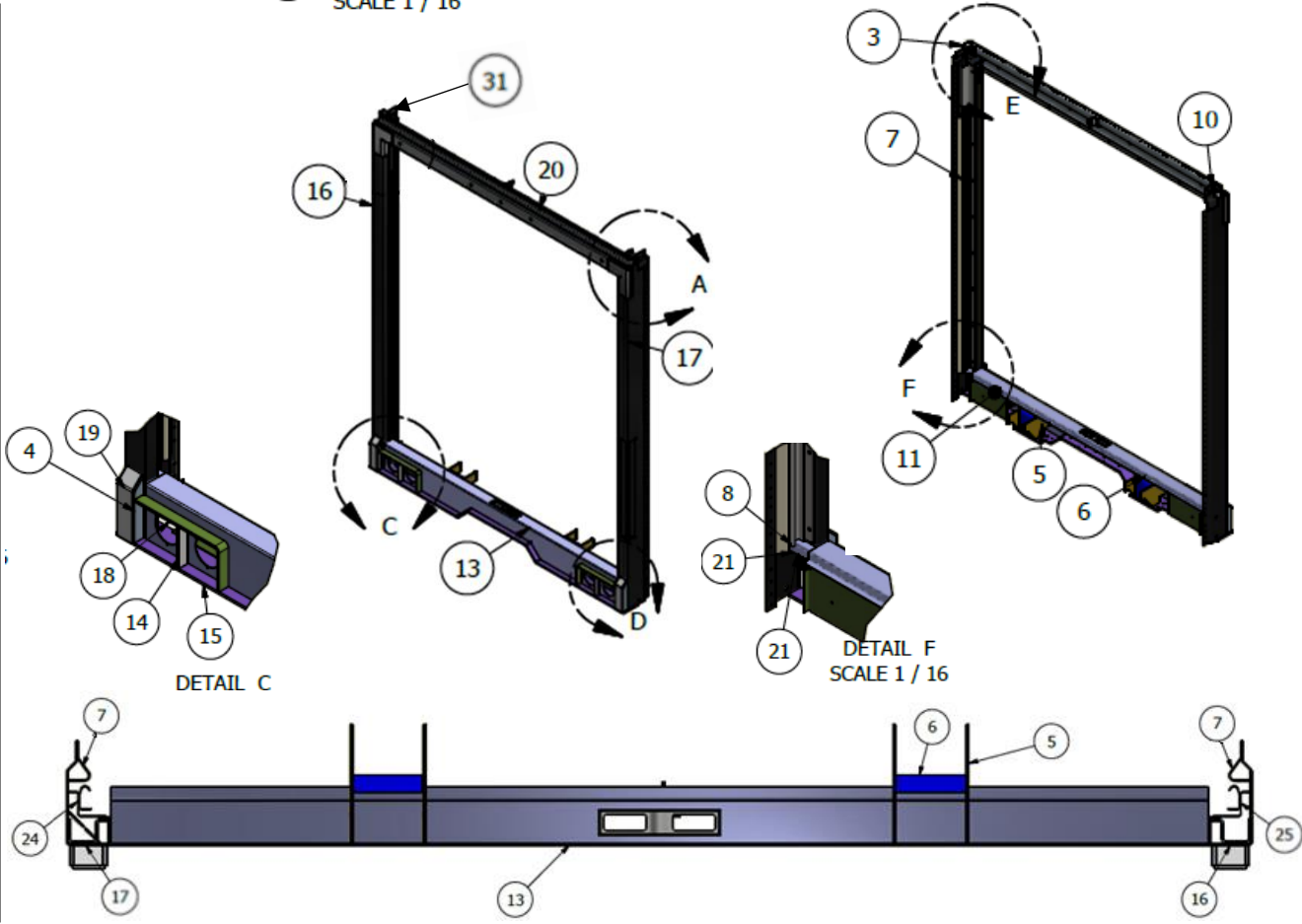
DOOR FRAME ASSEMBLY

430M036



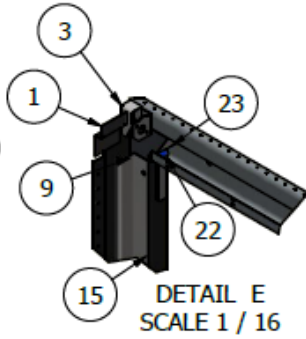
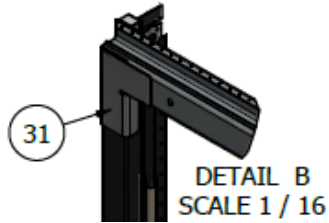
TRAILER MODEL:
 LTL28N00A-10, LTL28N00A-21, LTL28NL0A-10,
 LTL28N00A-22, LTL28N00A-12, LTL28N00A-23,
 LTL28N00A-13, LTL28N00A-24, LTL28NL0A-13,
 LTL28N00A-25, LTL28NL0B-13, LTL28N00A-26,
 LTL28N00A-14, LTL28N00A-27, LTL28N00A-15,
 LTL28P00A-27, LTL28N00A-16, LTL28NL0A-27,
 LTL28N00A-17, LTL28N00A-28, LTL28N00A-29

PARTS LIST			
ITEM	QTY	PART NUMBER	DESCRIPTION
1	2	4100407	SUPPORT, UPPER RAIL 53'
2	1	4300206	ANGLE, RAIN GUTTER - CARBON
3	1	4300564	C/S DOOR FRAME GUSSET
4	4	4300567	DOOR FRAME CORNER GUARD
5	4	4300570	BUMPER MOUNT GUSSET
6	2	4300571	BUMPEPR MOUNTING PLATE
7	2	4300582	DOOR TRACK GUARD
8	2	4300583	DOOR POST SPACER
9	2	4300584	FRONT CORNER GUSSET
10	1	4300590	R/S DOOR FRAME GUSSET
11	2	4300591	TAIL LIGHT COVER PLATE
12	2	4300598	DOOR POST REINFORCEMENT
13	1	4300629	DOOR SILL - FORMED
14	2	4300632	TAIL LIGHT CENTER GUARD, HD
15	1	4300635	DOOR SILL SUPPORT PLATE
16	1	4300636	R/S DOOR POST
17	1	4300637	C/S DOOR POST
18	2	4300638	TAIL LIGHT GUARD, HD
19	2	4300639	DOOR FRAME REINFORCEMENT
20	1	4300979	DOOR HEADER
21	2	4300993	GUSSET, DOOR SILL FILLER
22	2	4306229	HEADER HARNESS PROTECTOR
23	2	4306236	REAR CORNER GUSSET
24	1	50403.013368	C/S VERTICAL TRACK
25	1	50403.023368	R/S VERTICAL TRACK
26	1	59314.1000	C/S SPRING BRACKET
27	1	59314.2000	R/S SPRING BRACKET
28	1	59317	CENTER SPRING BRACKET
29	1	70339	TODCO DOOR LATCH PLATE
30	1	9000025	C/S DOOR FRAME BRACKET
31	1	9000026	R/S DOOR FRAME BRACKET



DOOR FRAME ASSEMBLY

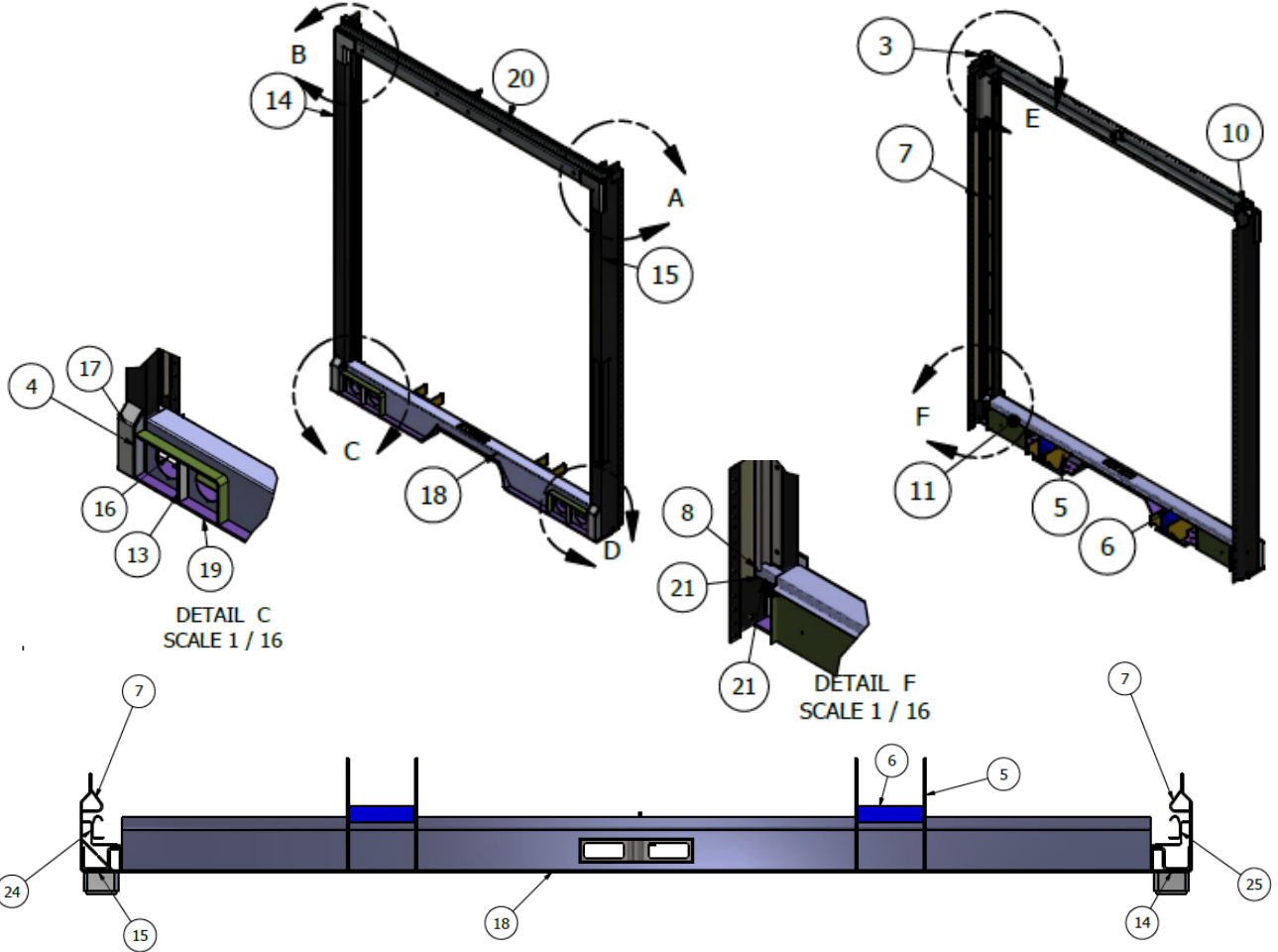
430M040



TRAILER MODELS:

LTL28N00A-30	LTL48N00A-25
LTL28N00A-32	LTL48N00A-35
LTL28N00A-33	LTL48N00A-36
LTL28N00A-34	LTL48N00A-37
LTL28N00A-35	LTL48N00A-38

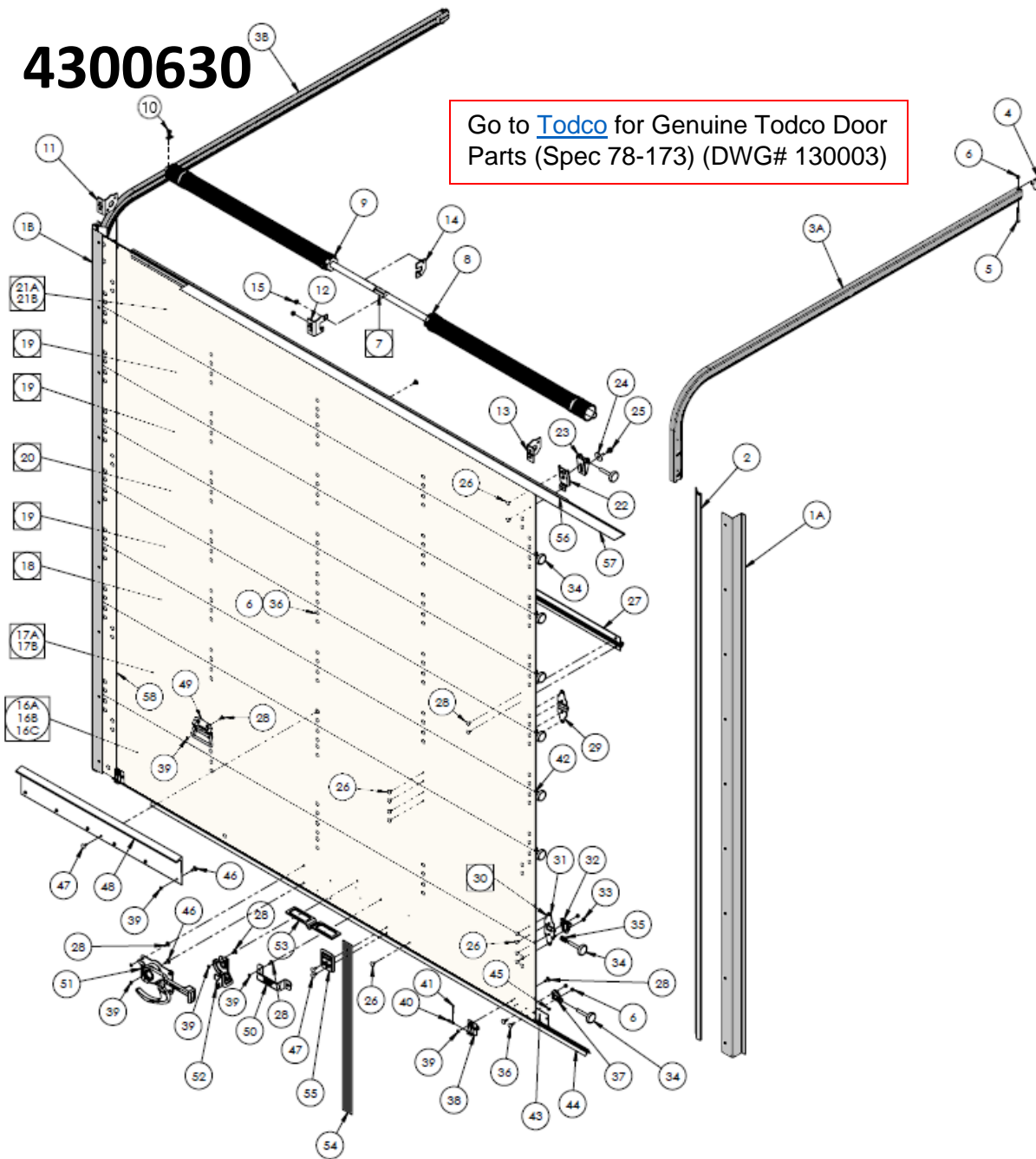
PARTS LIST			
ITEM	QTY	PART NUMBER	DESCRIPTION
1	2	4100407	SUPPORT, UPPER RAIL 53'
2	1	4300206	ANGLE, RAIN GUTTER - CARBON
3	1	4300564	C/S DOOR FRAME GUSSET
4	4	4300567	DOOR FRAME CORNER GUARD
5	4	4300570	BUMPER MOUNT GUSSET
6	2	4300571	BUMEPR MOUNTING PLATE
7	2	4300582	DOOR TRACK GUARD
8	2	4300583	DOOR POST SPACER
9	2	4300584	FRONT CORNER GUSSET
10	1	4300590	R/S DOOR FRAME GUSSET
11	2	4300591	TAIL LIGHT COVER PLATE
12	2	4300598	DOOR POST REINFORCEMENT
13	2	4300632	TAIL LIGHT CENTER GUARD, HD
14	1	4300636	R/S DOOR POST
15	1	4300637	C/S DOOR POST
16	2	4300638	TAIL LIGHT GUARD, HD
17	2	4300639	DOOR FRAME REINFORCEMENT
18	1	4300642	DOOR SILL - FORMED
19	1	4300643	DOOR SILL SUPPORT PLATE
20	1	4300979	DOOR HEADER
21	2	4300993	GUSSET, DOOR SILL FILLER
22	2	4306229	HEADER HARNESS PROTECTOR
23	2	4306236	REAR CORNER GUSSET
24	1	50403.013368	C/S VERTICAL TRACK
25	1	50403.023368	R/S VERTICAL TRACK
26	1	59314.1000	C/S SPRING BRACKET
27	1	59314.2000	R/S SPRING BRACKET
28	1	59317	CENTER SPRING BRACKET
29	1	70339	TODCO DOOR LATCH PLATE
30	1	9000025	C/S DOOR FRAME BRACKET
31	1	9000026	R/S DOOR FRAME BRACKET



TODCO ROLL UP DOOR REPLACEMENT

4300630

Go to Todco for Genuine Todco Door Parts (Spec 78-173) (DWG# 130003)



ITEM	PART NUMBER	DESCRIPTION	QTY
1A	50403.013356	VERTICAL TRACK - 104 7/8" CURBSIDE	1
1B	50403.023356	VERTICAL TRACK - 104 7/8" ROADSIDE	1
2	70584.3488	1 1/2" BRUSH PUSH IN SEAL (109")	2
3A	50223.0144800576	6" R HORIZONTAL TRACK - 104" CURBSIDE	1
3B	50223.0244800576	6" R HORIZONTAL TRACK - 104" ROADSIDE	1
4	70483.1000	2" TRACK STOP - RUBBER BUMPER	2
5	80105.4200	BOLT, HEX HD 1/4-20 x 2-1/2	2
6	89231.2000	KEPS NUT - 1/4-20	16
7	59334.18832072	CB ASSY COMPLETE - .88x32 SPRING x 96" SHAFT	1
8	59333.18832	CURB SIDE SPRING ASSEMBLY - .188x32	1
9	59332.18832	ROADSIDE SPRING ASSEMBLY - .188x32	1
10	80401.5240	COTTER PIN - 5/32 x 1 1/2	2
11	59314.2000	HEAD PLATE - DUAL SPRING (RH)	1
12	59315.2000	CENTER PLATE - DUAL SPRING	1
13	59314.1000	HEAD PLATE - DUAL SPRING (LH)	1
14	59316.0000	CENTER CLAMP - DUAL SPRING	1
15	89155.1000	FLANGE LOCK NUT - 5/16-18	12
16A	130000150x9763CO	7.5mm BOTTOM PANEL - 15x97 5/8" COMPLETE	1
16B	130000150x9763LL	7.5mm BOTTOM PANEL - 15x97 5/8" LESS LOCK	1
16C	130000150x9763NH	7.5MM BOTTOM PANEL - 15x97 5/8" NO EXTRIOR HARDWARE	1
17A	130001180x9763CO	7.5mm INTERMEDIATE PANEL - 18x97 5/8" COMPLETE	1
17B	130001180x9763NH	7.5mm INTERMEDIATE PANEL - 18x97 5/8" NO HARDWARE	1
18	130001115x9763FP	7.5mm INT PANEL- 11 1/2x97 5/8 W/FORKLIFT PLATE	1
19	130001115x9763NH	7.5mm INT PANEL- 11 1/2x97 5/8 NO HARDWARE	3
20	130001115x9763RE	7.5mm INT PANEL- 11 1/2x97 5/8 W/REINF. STRAP INSTALL	1
21A	130002136x9763CO	7.5mm TOP PANEL - 13 5/8x97 5/8" COMPLETE	1
21B	130002136x9763NH	7.5mm TOP PANEL - 13 5/8x97 5/8" NO HARDWARE	1
22	69432.0000.05	TOP FIXTURE BASE - BLACK	2
23	69431.0000.05	TOP FIXTURE SLIDE - BLACK	2
24	80302.2648	FLATWASHER - 1 1/2"	2
25	89049.0000	E-LOC BOLT - 3/8 x 1/2"	2
26	89210.0016	STEEL RIVET, 1/4x0.50	139
27	70569.3008	REFINFORCEMENT STRAP (94")	4
28	89210.0019	STEEL RIVET, 1/4 x 0.594	41
29	70159.0000	CENTER HINGE ASSEMBLY	21
30	70514.0000	END HINGE ASSEMBLY (INCLUDES 311, 32, 33)	14
31	70513.0000	END HINGE (LESS CAP AND NUTS)	14
32	70161.0000	HINGE ROLLER CAP	14
33	89042.2000	1/4-20 NYLOCK NUT	28
34	70225.0000	NYLON 2" ROLLER	18
35	80020.0000	ROLLER SPACER WASHER	16
36	80015.0024	CARRIAGE BOLT - 1/4-20 x 3/4"	14
37	70309.0000.05	REMOVABLE ROLLER HOLDER - BLACK	2
38	59193.0000.41	HD CABLE BRACKET - TECH WHITE	2
39	89275.0000	SS CONICAL WASHER	38
40	61026.0000	CABLE ANCHOR PIN	2
41	80401.3160	COTTER PIN 3/32 x 1	2
42	70534.3264	JOINT SEAL (102")	7
43	70565.3136	7.5mm ENCAPSULATED BOTTON ANGLE (98")	1
44	70578.3136	ARMORPLATE BOTTOM SEAL - 4 LIP VINYL (98")	1
45	89100.1000	DRIVE RIVET - 3/16 x 9/32	2
46	89210.0023	STEEL RIVET, 1/4 x .718	21
47	89210.0026	STEEL RIVET, 1/4 x .813	3
48	70306.1152.41	36" FORKLIFT PLATE - TECH WHITE	1
49	69325.0000.41	DROP LIFT HANDLE - TECH WHITE	1
50	61401.0000.41	TODCO LIFT HANDLE - TECH WHITE	1
51	70223.0000.41	OFFSET LEVER MS LOCK - TECH WHITE	1
52	69572.0000.41	MS LOCK SECONDARY KEEPER - TECH WHITE	1
53	70339.0000	FLUSH MOUNT CATCH BOX	1
54	70393.1408	PULL STRAP 44" BLACK	1
55	69832.0000.41	PULL STRAP RETAINER - TECH WHITE	1
56	70566.3136	7.5mm HEAD SEAL RETAINER (98")	1
57	69718.0032	RUBBER HEAD SEAL	8.136 FT
58	59003.0000	130" CABLE (PAIR)	1
59	70318.0000	SAFETY & WARNING DEACL (NOT SHOWN)	1
60	70319.0000	SPRING WARNING DECAL (NOT SHOWN)	1
62	70545.0000	INSTALL & MAINTENANCE DECAL (NOT SHOWN)	1
63	70405.0000	TODCO OWNERS MANUAL (NOT SHOWN)	1



**ACCESSORY KITS
FOR
LTL XPO TRAILERS**

750M032
ACCESSORY KIT
FOR
LTL28' MODEL TRAILERS

420N720	FLIP SIGN ASSEMBLY-8, WALL
420N721	FLIP SIGN ASSEMBLY-8, DOOR
420N722	FLIP SIGN ASSEMBLY-9, WALL
420N723	FLIP SIGN ASSEMBLY-9, DOOR
750N482	PLACARD HOLDER ASSEMBLY-DOOR
750N487	PLACARD HOLDER ASSEMBLY, SW/SF
750N806	MANIFEST BOX ASSEMBLY



750M029
ACCESSORY KIT
FOR
LTL SEMI TRAILERS

420N720	FLIP SIGN ASSEMBLY-8, WALL
420N721	FLIP SIGN ASSEMBLY-8, DOOR
420N722	FLIP SIGN ASSEMBLY-9, WALL
420N723	FLIP SIGN ASSEMBLY-9, DOOR
4400233	SKY-LITE 4" ROUND CLEAR
750N482	PLACARD HOLDER ASSEMBLY-DOOR
750N487	PLACARD HOLDER ASSEMBLY, SW/SF
750N806	MANIFEST BOX ASSEMBLY

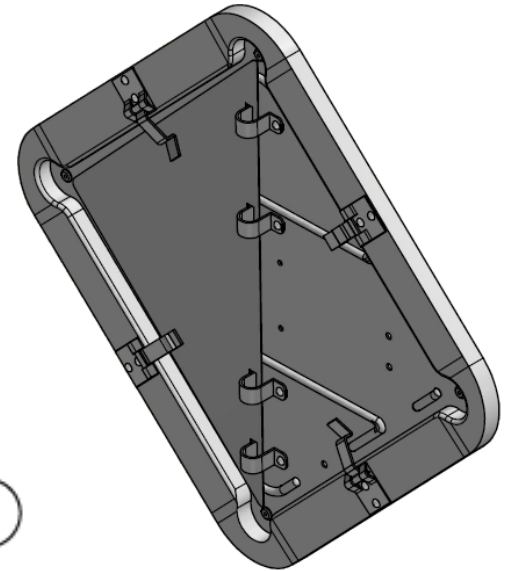
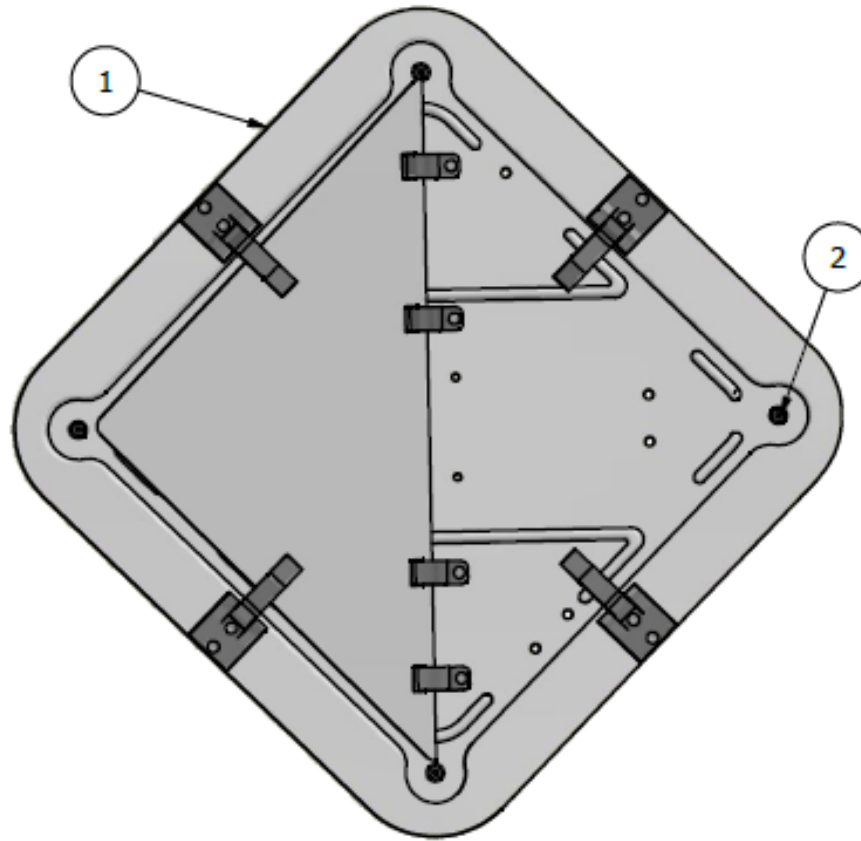
750M034
ACCESSORY KIT
FOR
XTL53' MODEL TRAILERS

750N806

MANIFEST BOX ASSEMBLY

FLIP SIGN ASSEMBLY-8, WALL

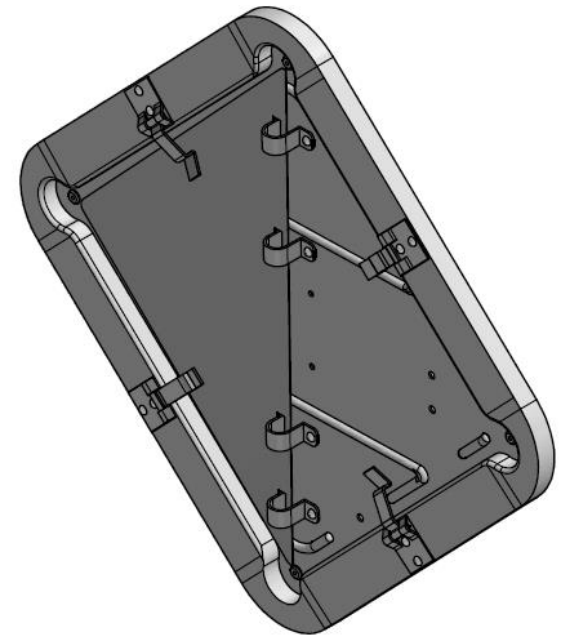
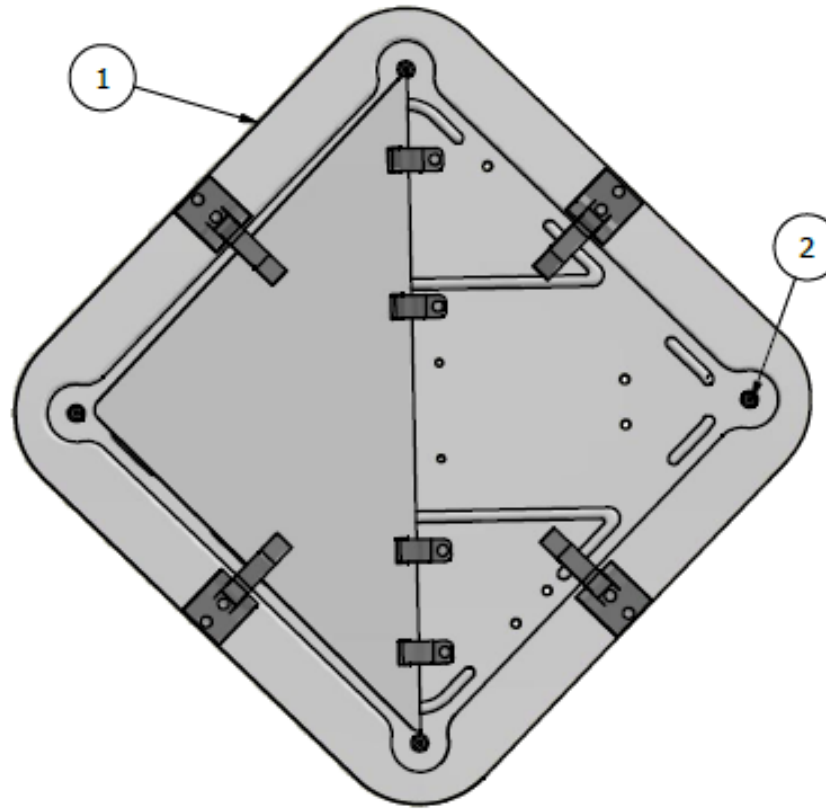
420N720



PARTS LIST			
ITEM	QTY	PART NUMBER	DESCRIPTION
1	1	4200720	FLIP SIGN, LABEL MASTER
2	4	6300015	RIVET, POP-6-9 CLOSED END

FLIP SIGN ASSEMBLY-8, DOOR

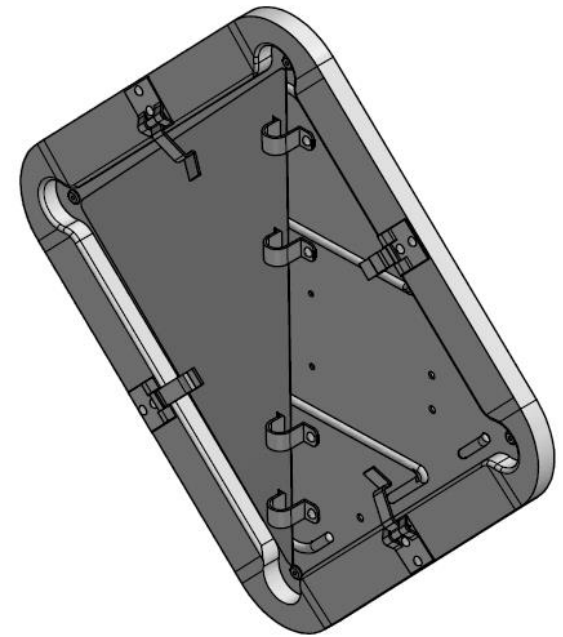
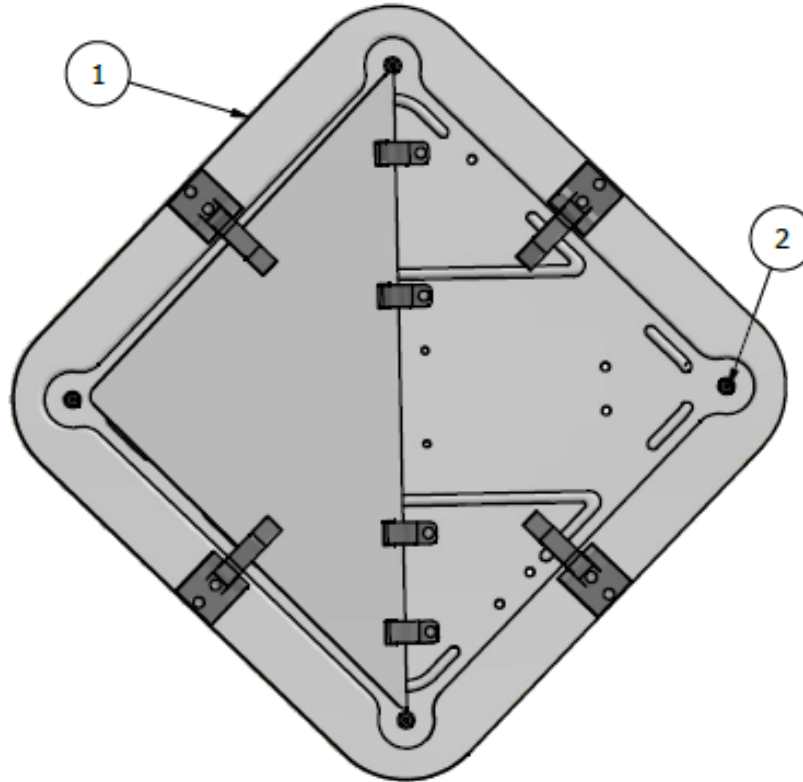
420N721



PARTS LIST			
ITEM	QTY	PART NUMBER	DESCRIPTION
1	1	4200720	FLIP SIGN, LABEL MASTER
2	4	6300173	RIVET, DRIVE 3/16" x 1/4"

FLIP SIGN ASSEMBLY-9, WALL

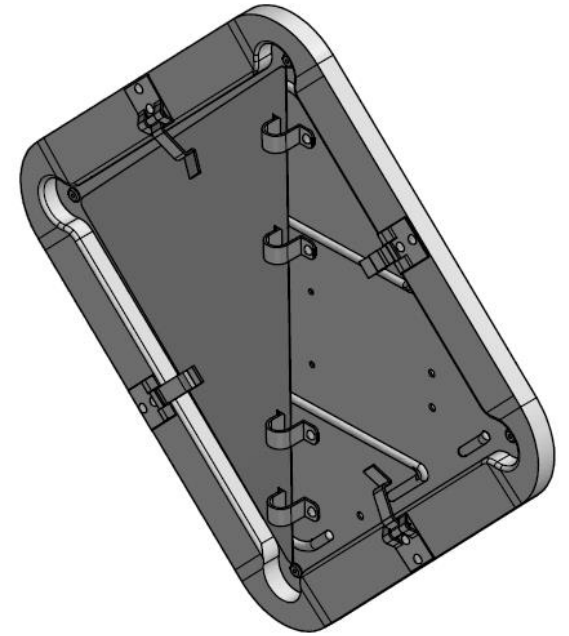
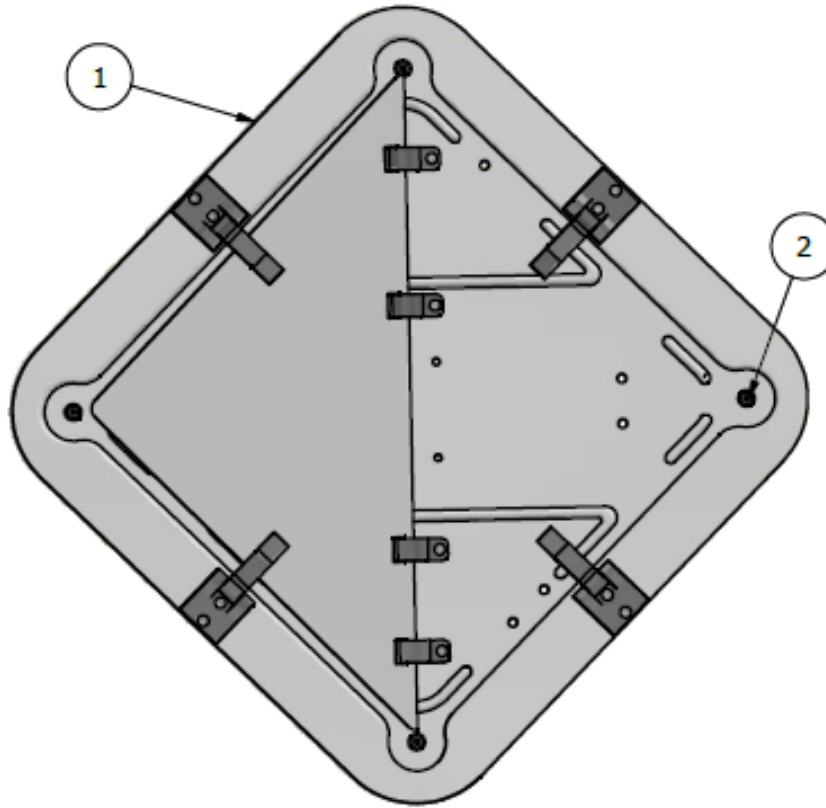
420N722



PARTS LIST			
ITEM	QTY	PART NUMBER	DESCRIPTION
1	1	4200721	FLIP SIGN, LABEL MASTER
2	4	6300015	RIVET, POP-6-9 CLOSED END

FLIP SIGN ASSEMBLY-9, DOOR

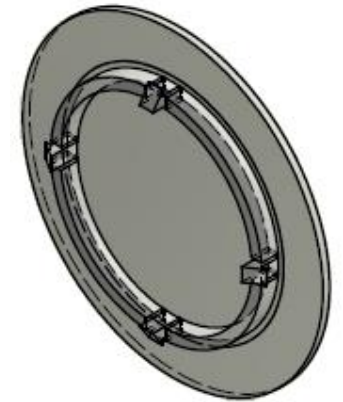
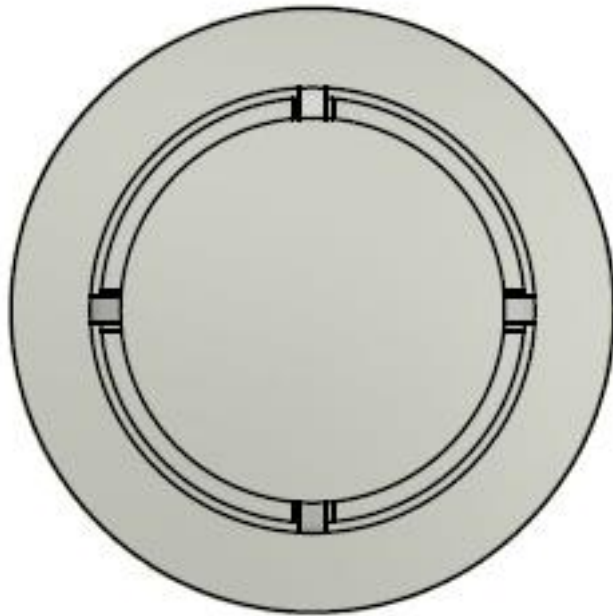
420N723



PARTS LIST			
ITEM	QTY	PART NUMBER	DESCRIPTION
1	1	4200721	FLIP SIGN, LABEL MASTER
2	4	6300173	RIVET, DRIVE 3/16" x 1/4"

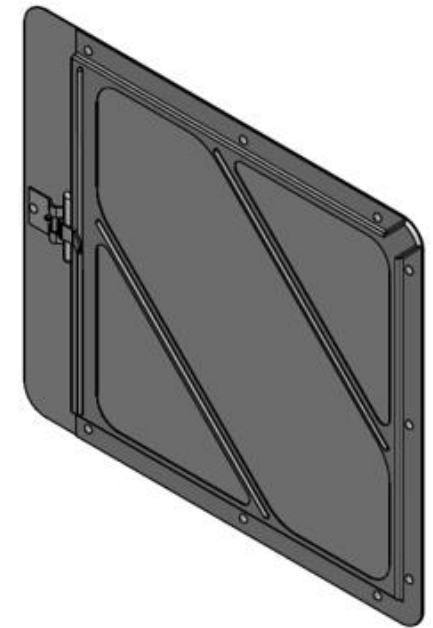
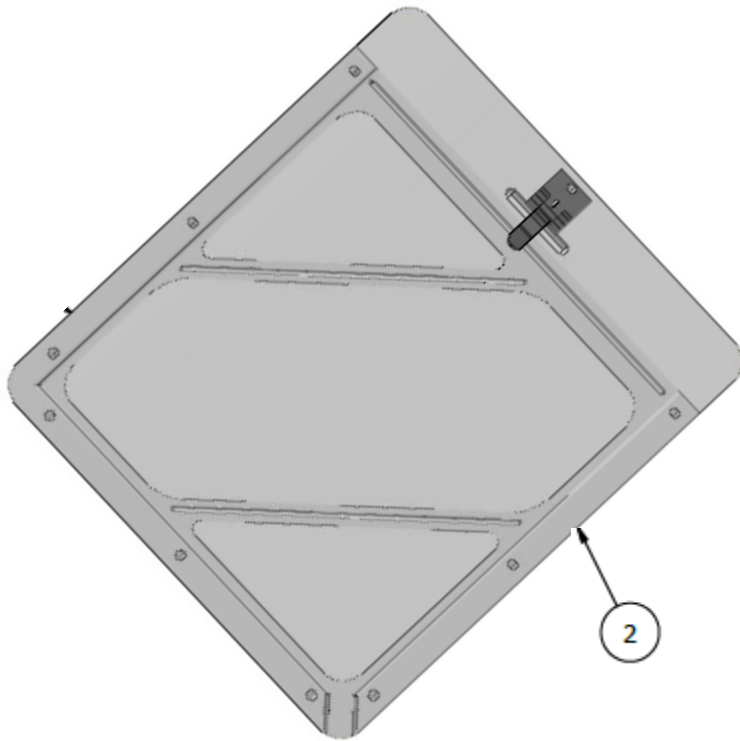
SKY-LITE 4" ROUND CLEAR

4400233



PLACARD HOLDER ASSEMBLY, DOOR

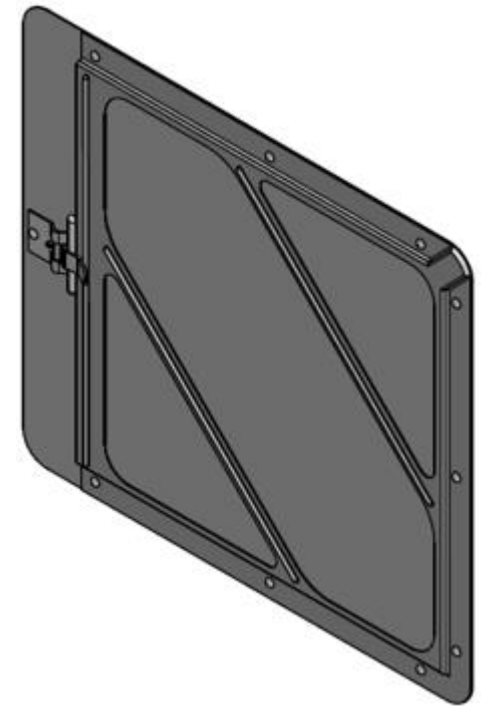
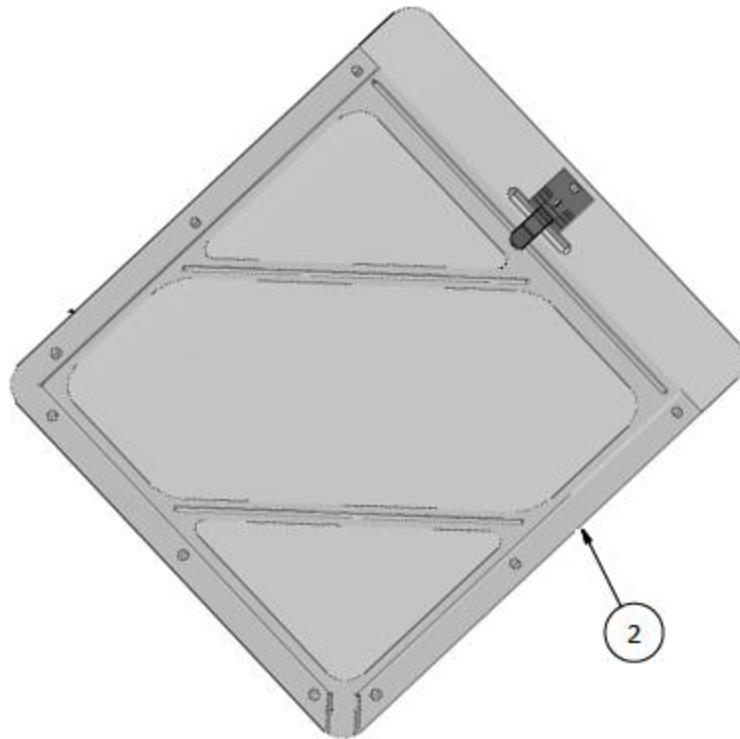
750N482



PARTS LIST			
ITEM	QTY	PART NUMBER	DESCRIPTION
1	4	6300173	RIVET, DRIVE 3/16"
2	1	7500109	PLACARD HOLDER, LABEL MASTER

PLACARD HOLDER ASSEMBLY, SS/FW

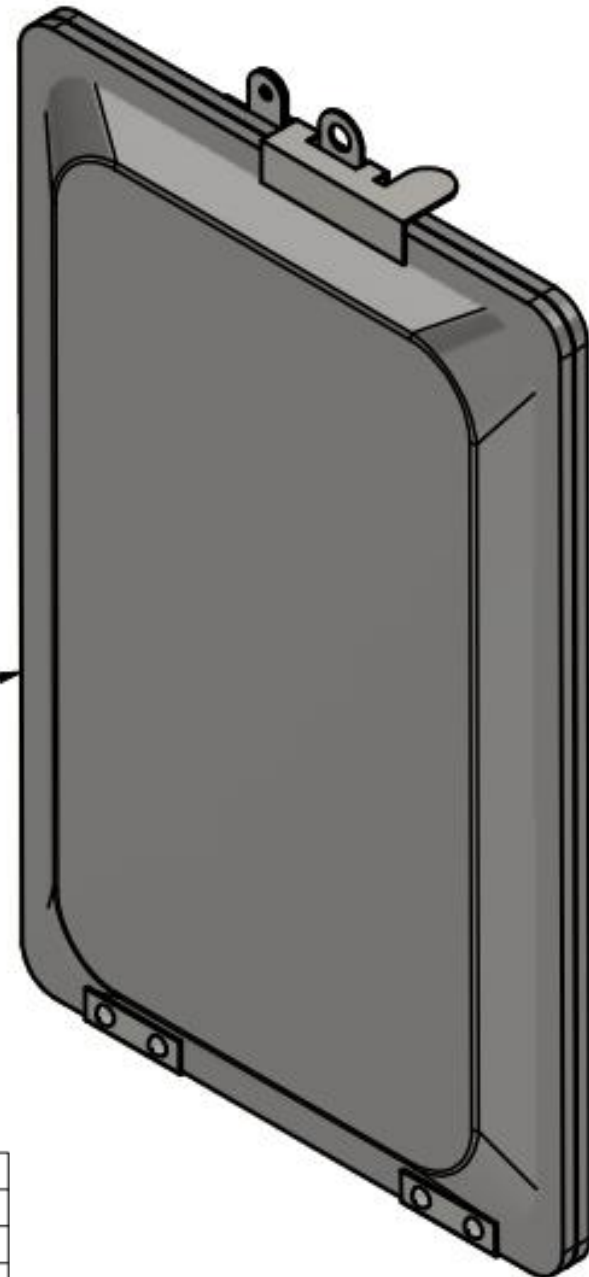
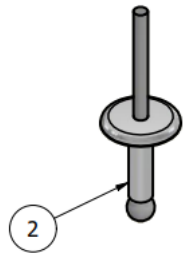
750N487



PARTS LIST			
ITEM	QTY	PART NUMBER	DESCRIPTION
1	4	6300015	RIVET, POP 6-9 CLOSED RIVET
2	1	7500109	PLACARD HOLDER, LABEL MASTER

MANIFEST BOX ASSEMBLY

750N806



PARTS LIST			
ITEM	QTY	PART NUMBER	DESCRIPTION
	1	750N806	MANIFEST BOX ASSEMBLY
1	1	7500806	MANIFEST BOX, ALUMINUM
2	4	6300114	RIVET, POP-AD68SSBSLF LG

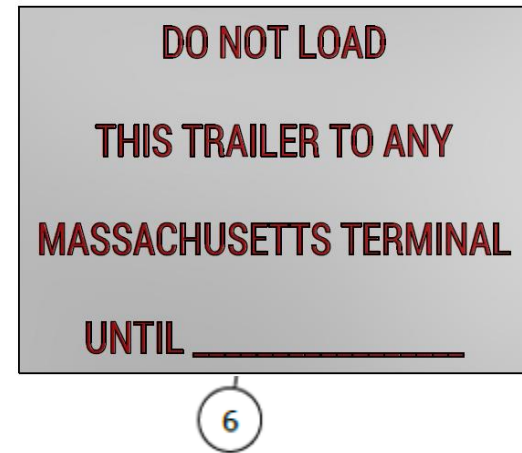
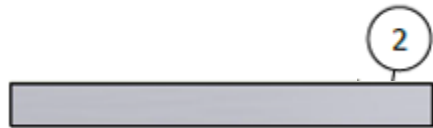


**DECAL ASSEMBLIES
FOR
LTL XPO TRAILERS**

DECAL ASSEMBLY-BODY, 28'

750M046

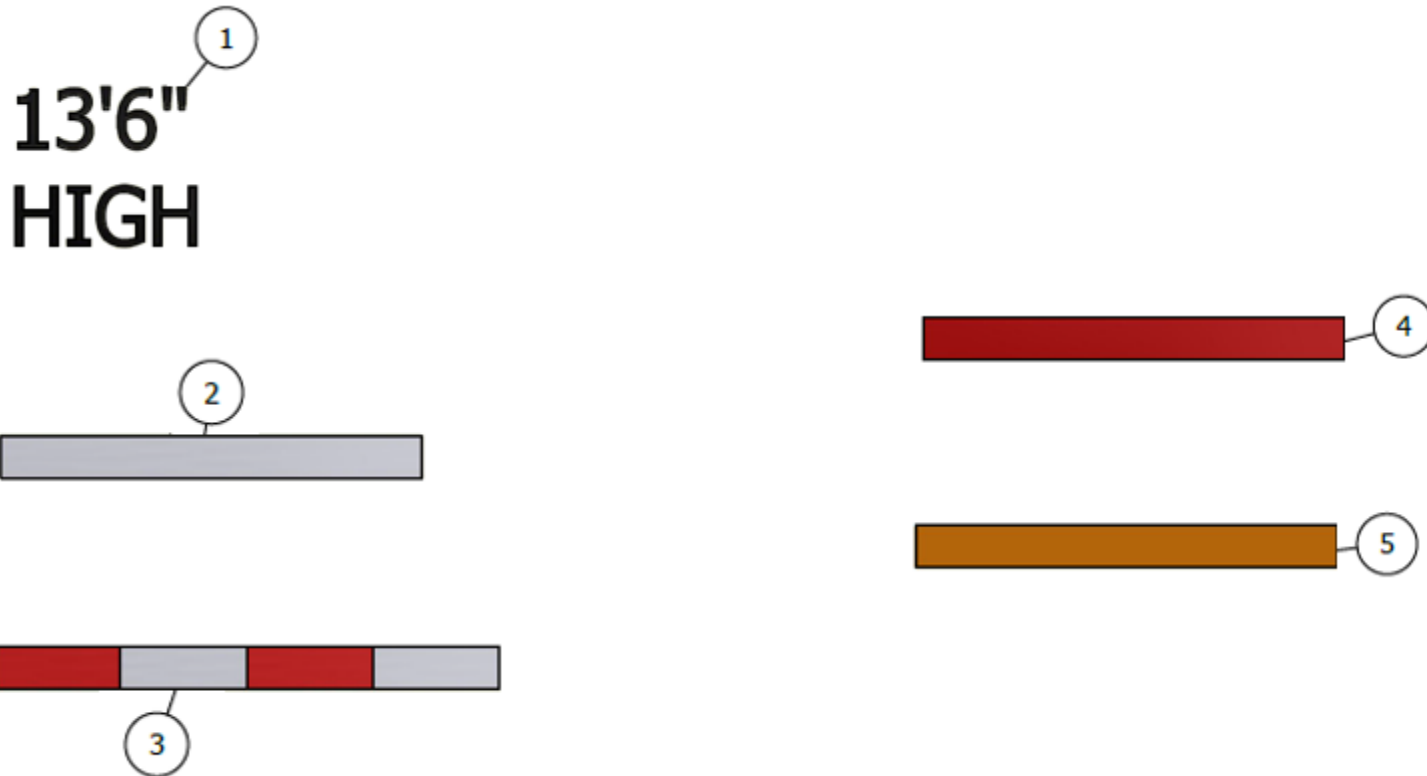
1
13'6"
HIGH



PARTS LIST			
ITEM	QTY	PART NUMBER	DESCRIPTION
1	1	4100101	DECAL, 13'6" HIGH
2	4	7500116	CONSPICUITY TAPE, WHITE
3	42	7500117	CONSPICUITY TAPE, 6" RED/6" WHITE
4	8	7500552	TAPE, INTERIOR-SIDEWALL 2" RED
5	3.333	7500580	TAPE, LOAD MARKING - 2" ORANGE
6	1	7501036	DO NOT LOAD - DECAL

DECAL ASSEMBLY-BODY, 48'

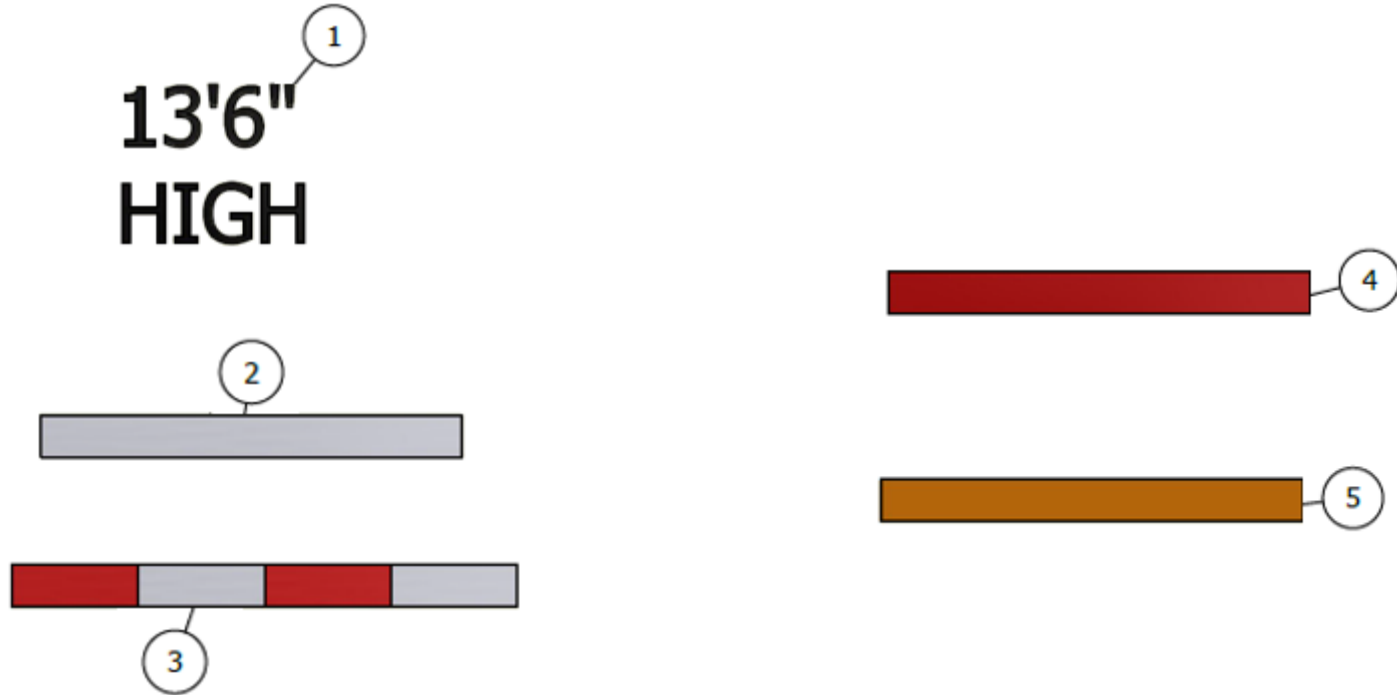
750M050



PARTS LIST			
ITEM	QTY	PART NUMBER	DESCRIPTION
1	1	4100101	DECAL, 13'6" HIGH
2	4	7500116	CONSPICUITY TAPE, WHITE
3	62	7500117	CONSPICUITY TAPE, 6" RED/6" WHITE
4	8	7500552	TAPE, INTERIOR-SIDEWALL 2" RED
5	3.333	7500580	TAPE, LOAD MARKING - 2" ORANGE

DECAL ASSEMBLY-BODY, 53'

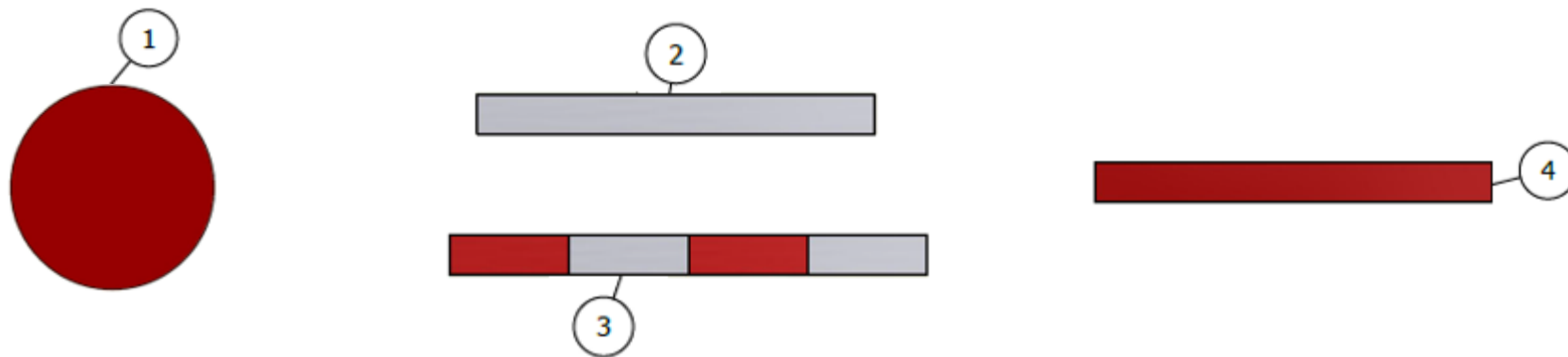
750M051



PARTS LIST			
ITEM	QTY	PART NUMBER	DESCRIPTION
1	1	4100101	DECAL, 13'6" HIGH
2	4	7500116	CONSPICUITY TAPE, WHITE
3	67	7500117	CONSPICUITY TAPE, 6" RED/6" WHITE
4	8	7500552	TAPE, INTERIOR-SIDEWALL 2" RED
5	3.333	7500580	TAPE, LOAD MARKING – 2" ORANGE

DECAL ASSEMBLY-BODY, 53'

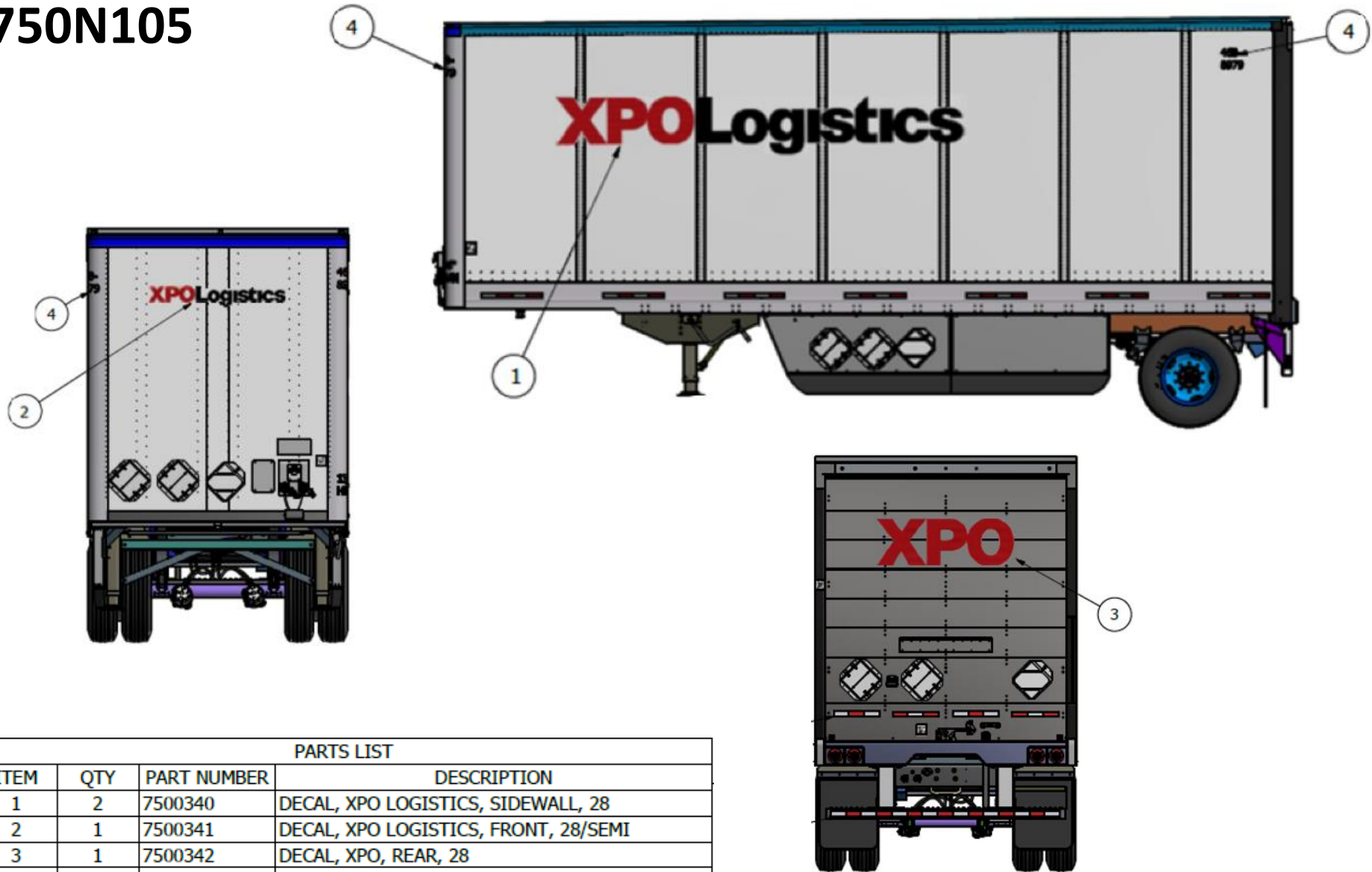
750M045



PARTS LIST			
ITEM	QTY	PART NUMBER	DESCRIPTION
1	2	7500190	RED DOT, SIDEWALL
2	4	7500116	CONSPICUITY TAPE, WHITE
3	61	7500117	CONSPICUITY TAPE, 6" RED/6" WHITE
4	8	7500552	TAPE, INTERIOR-SIDEWALL 2" RED

DECAL KIT, COPORATE- 28' TRAILER

750N105

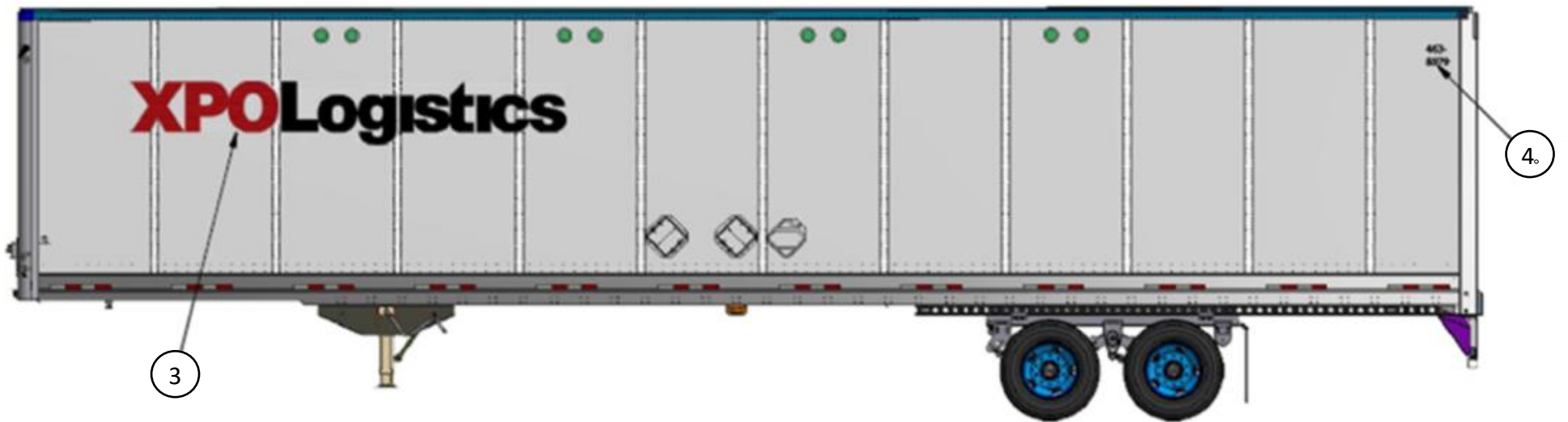


PARTS LIST			
ITEM	QTY	PART NUMBER	DESCRIPTION
1	2	7500340	DECAL, XPO LOGISTICS, SIDEWALL, 28
2	1	7500341	DECAL, XPO LOGISTICS, FRONT, 28/SEMI
3	1	7500342	DECAL, XPO, REAR, 28
4	1	750N021	DECAL KIT, UNIT NUMBERS

DECAL KIT, COPORATE- SEMI

750N106

PARTS LIST			
ITEM	QTY	PART NUMBER	DESCRIPTION
1	1	7500341	DECAL, XPO LOGISTICS, FRONT
2	1	7500342	DECAL, XPO LOGISTICS, REAR
3	2	7500343	DECAL, XPO LOGISTICS, SIDEWALL
4	1	750N021	DECAL KIT, UNIT NUMBERS



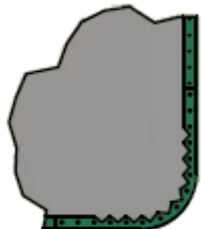
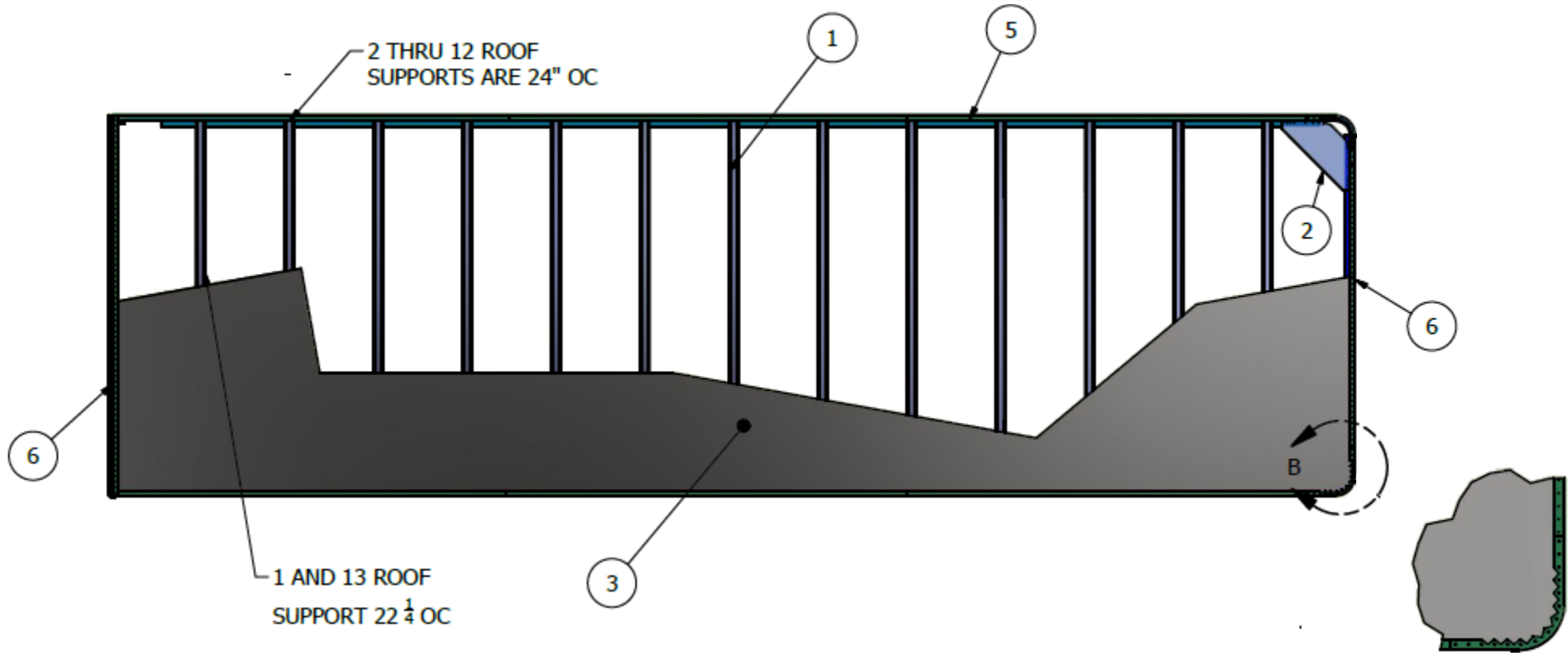


**ROOF ASSEMBLIES
FOR
LTL XPO TRAILERS**

ROOF ASSEMBLY, 28'

450M050

PARTS LIST			
ITEM	QTY	PART NUMBER	DESCRIPTION
1	13	4400310	ROOF BOW, ANTI-SNAG - 18 GA. x 100"
2	2	4607205	PLATE, CORNER ATTACHMENT
3	135 LBS	7800404	COIL ALUMINUM 3003 ROOF 102.625" x .040"
5	7.25	4400204	ROOF FLASHING W/O HOLES
6	2	4400209	ROOF FLASHING W/ 1 1/2" HOLE CENTERS
	1	7500718	SELF-LEVELING ADHESIVE, 76mm, GRAY
	.327	6300106	RIVET, SOLID-AN455AD 6-8
	.23	6300112	RIVET, SOLID-AN455AD 8-8
	292	6300162	RIVET, SOLID 10mm HENROD

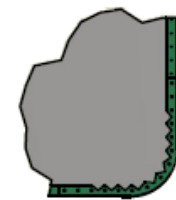
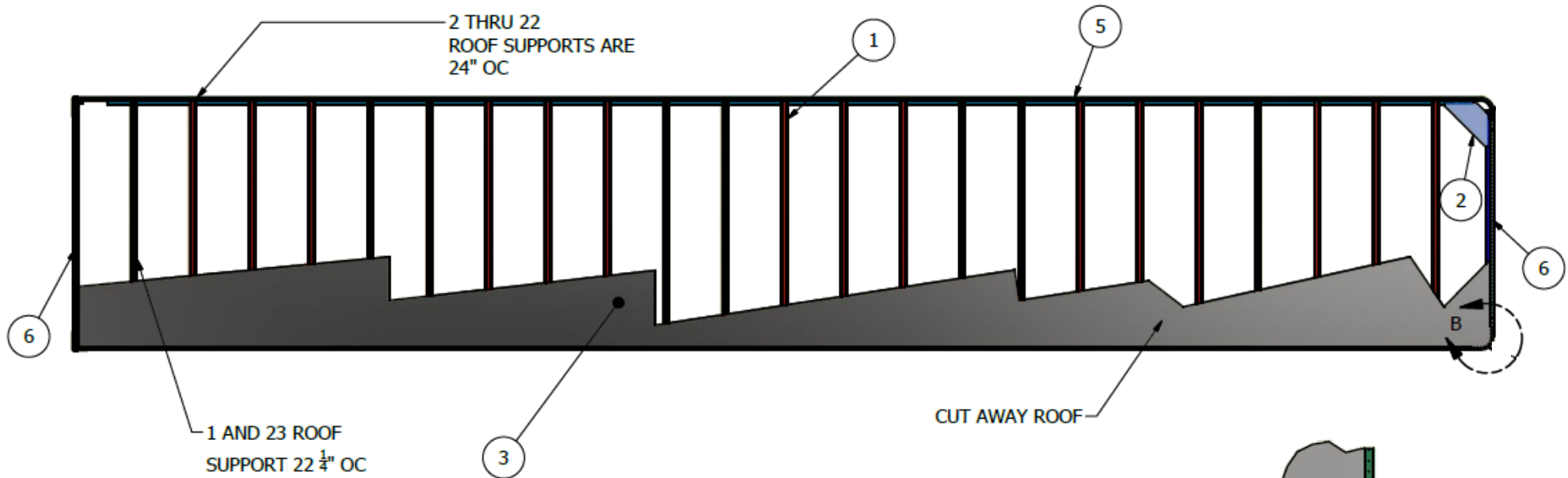


DETAIL B
SCALE 1/15

ROOF ASSEMBLY, 48'

450M054

PARTS LIST			
ITEM	QTY	PART NUMBER	DESCRIPTION
1	23	4400310	ROOF BOW, ANTI-SNAG - 18 GA. x 100"
2	2	4607205	PLATE, CORNER ATTACHMENT
3	242 LBS	7800404	COIL ALUMINUM 3003 ROOF 102.625" x .040"
5	11.5	4400204	ROOF FLASHING W/O HOLES
6	2	4400209	ROOF FLASHING W/ 1 1/2" HOLE CENTERS
	1	7500718	SELF-LEVELING ADHESIVE, 76mm, GRAY
	.327	6300106	RIVET, SOLID-AN455AD 6-8
	.21	6300112	RIVET, SOLID-AN455AD 8-8
	476	6300162	RIVET, SOLID 10mm HENROD

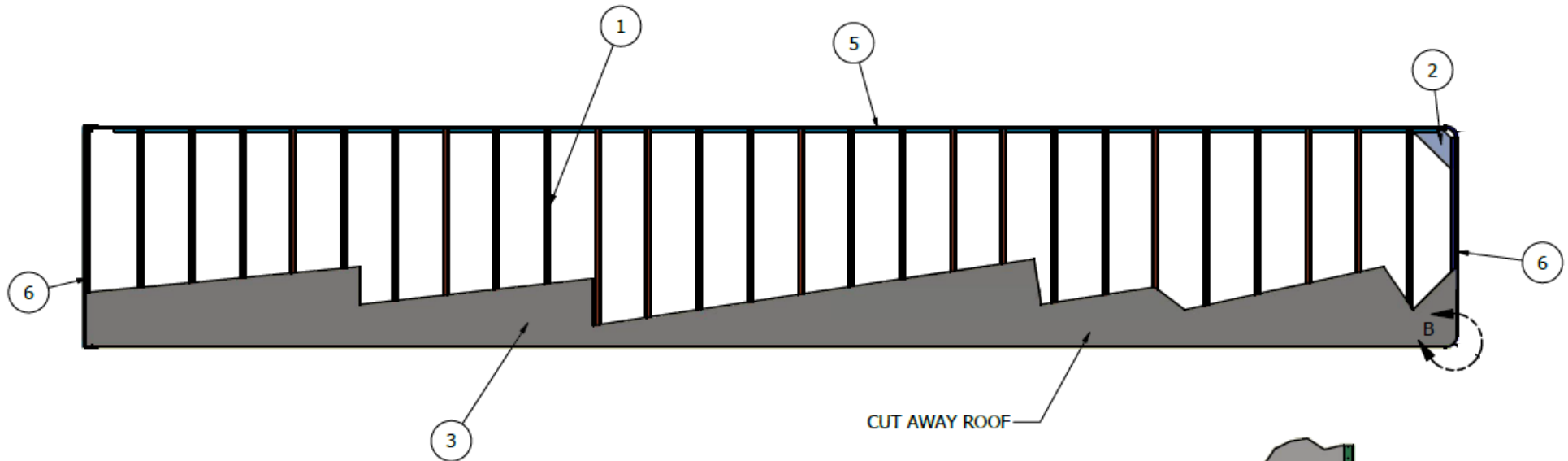


DETAIL B
SCALE 1/15

ROOF ASSEMBLY, 53'

450M022

PARTS LIST			
ITEM	QTY	PART NUMBER	DESCRIPTION
1	26	4400310	ROOF BOW, ANTI-SNAG - 18 GA. x 100"
2	2	4607205	PLATE, CORNER ATTACHMENT
3	262 LBS	7800404	COIL ALUMINUM 3003 ROOF 102.625" x .040"
5	12.66	4400204	ROOF FLASHING W/O HOLES
6	1	4400209	ROOF FLASHING W/ 1 1/2" HOLE CENTERS
	1	7500718	SELF-LEVELING ADHESIVE, 76mm, GRAY
	.074	6300015	RIVET, SOLID-AN455AD 6-8
	.29	6300106	RIVET, SOLID-AN455AD 6-8
	.108	6300112	RIVET, SOLID AN455AD 8-8
	518	6300162	RIVET, SOLID 10mm HENROD

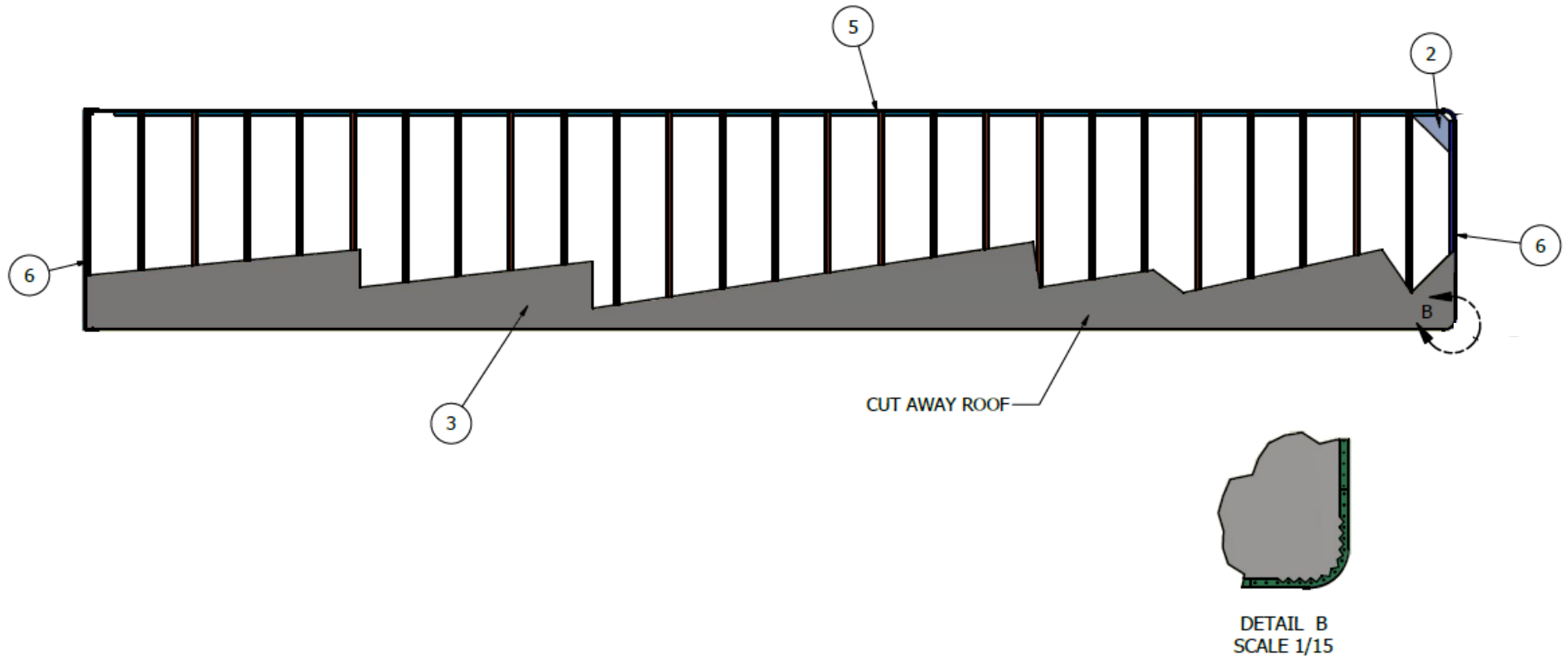


DETAIL B
SCALE 1/15

ROOF ASSEMBLY, 53'

450M055

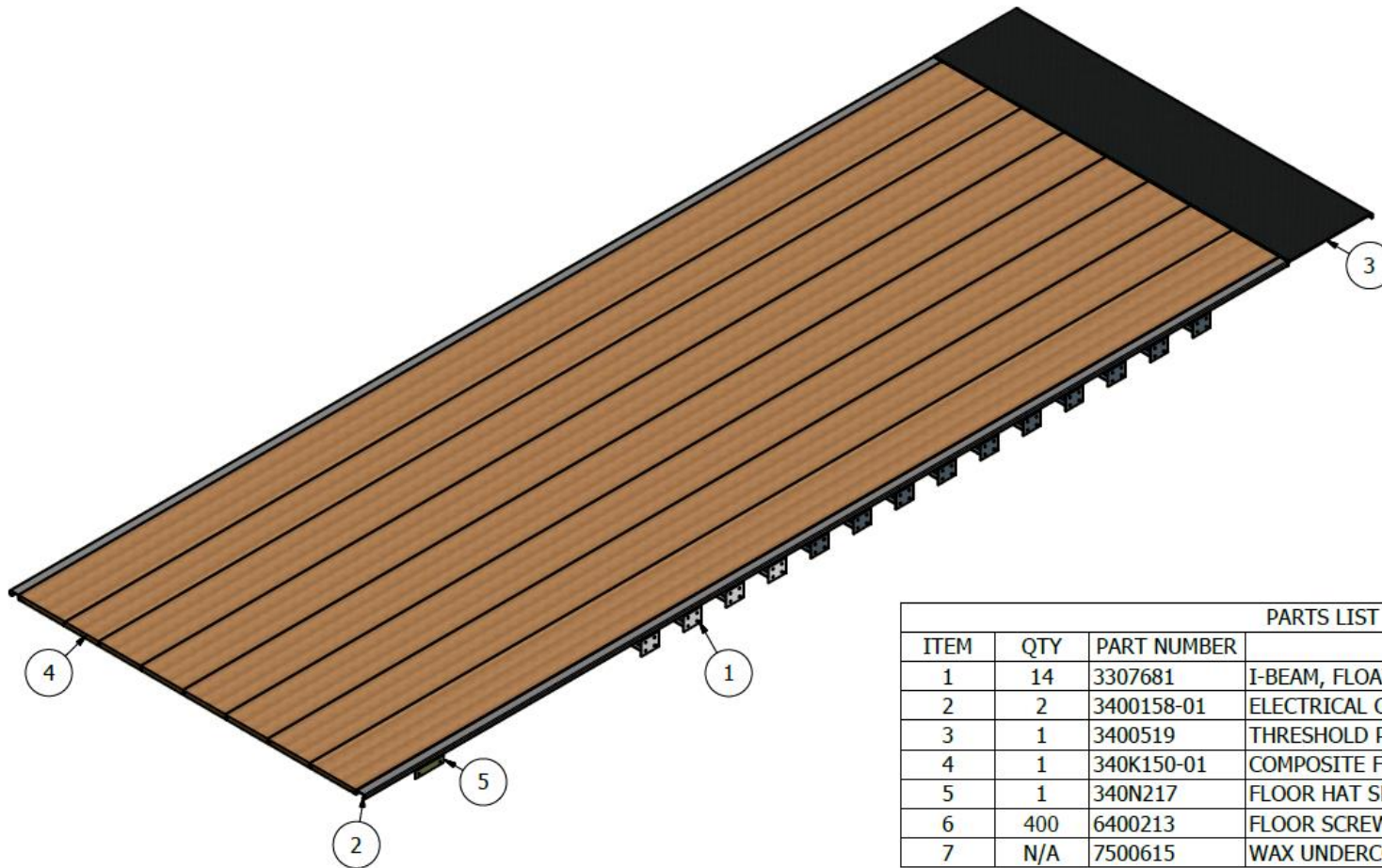
PARTS LIST			
ITEM	QTY	PART NUMBER	DESCRIPTION
1	25	4400310	ROOF BOW, ANTI-SNAG - 18 GA. x 100"
2	2	4607205	PLATE, CORNER ATTACHMENT
3	262 LBS	7800404	COIL ALUMINUM 3003 ROOF 102.625" x .040"
5	12.66	4400204	ROOF FLASHING W/O HOLES
6	2	4400209	ROOF FLASHING W/ 1 1/2" HOLE CENTERS
	1	7500718	SELF-LEVELING ADHESIVE, 76mm, GRAY
	.293	6300106	RIVET, SOLID-AN455AD 6-8
	.235	6300112	RIVET, SOLID-AN455AD 8-8
	518	6300162	RIVET, SOLID 10mm HENROD





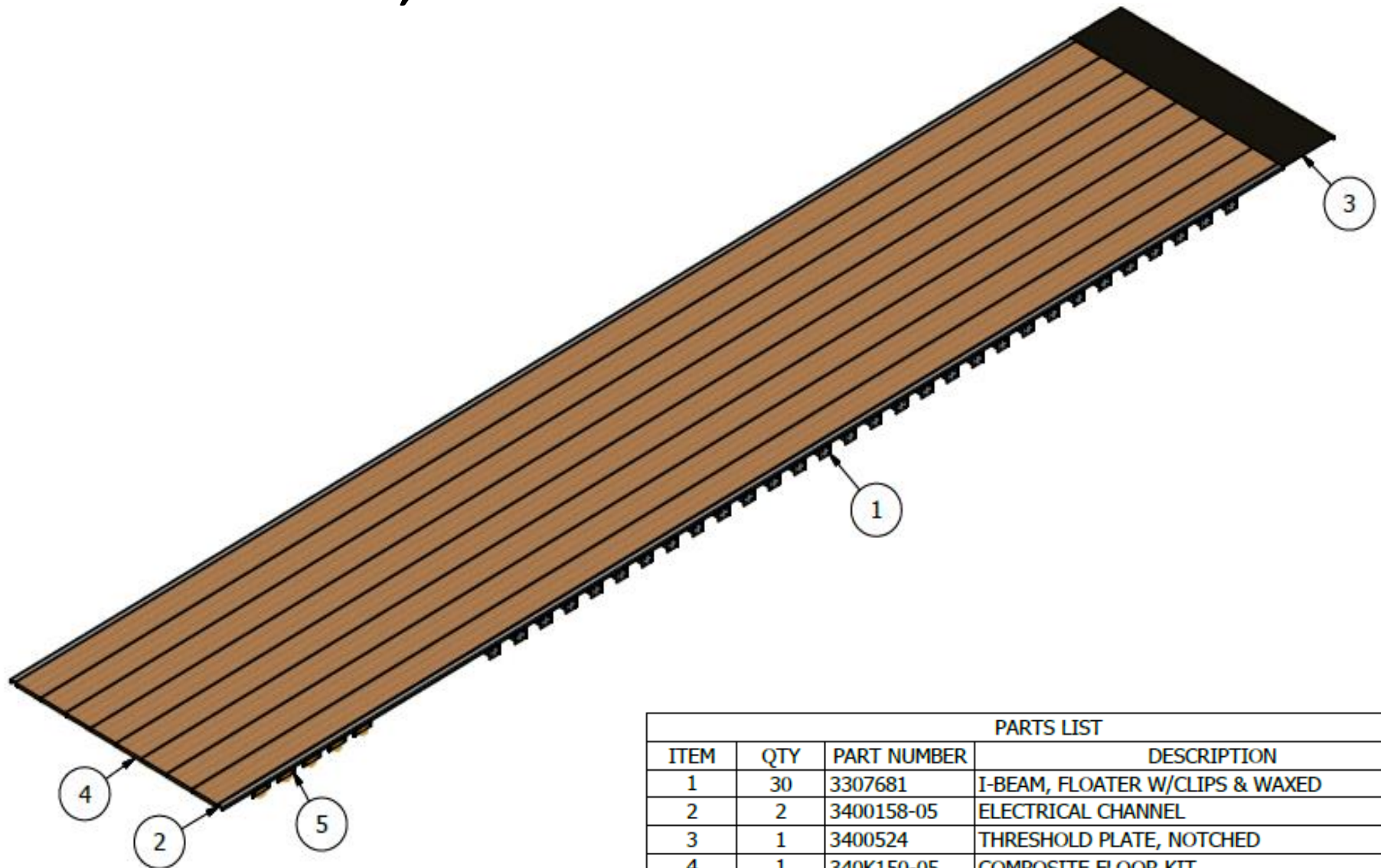
**FLOOR ASSEMBLIES
FOR
LTL XPO TRAILERS**

FLOOR ASSEMBLY, 28'



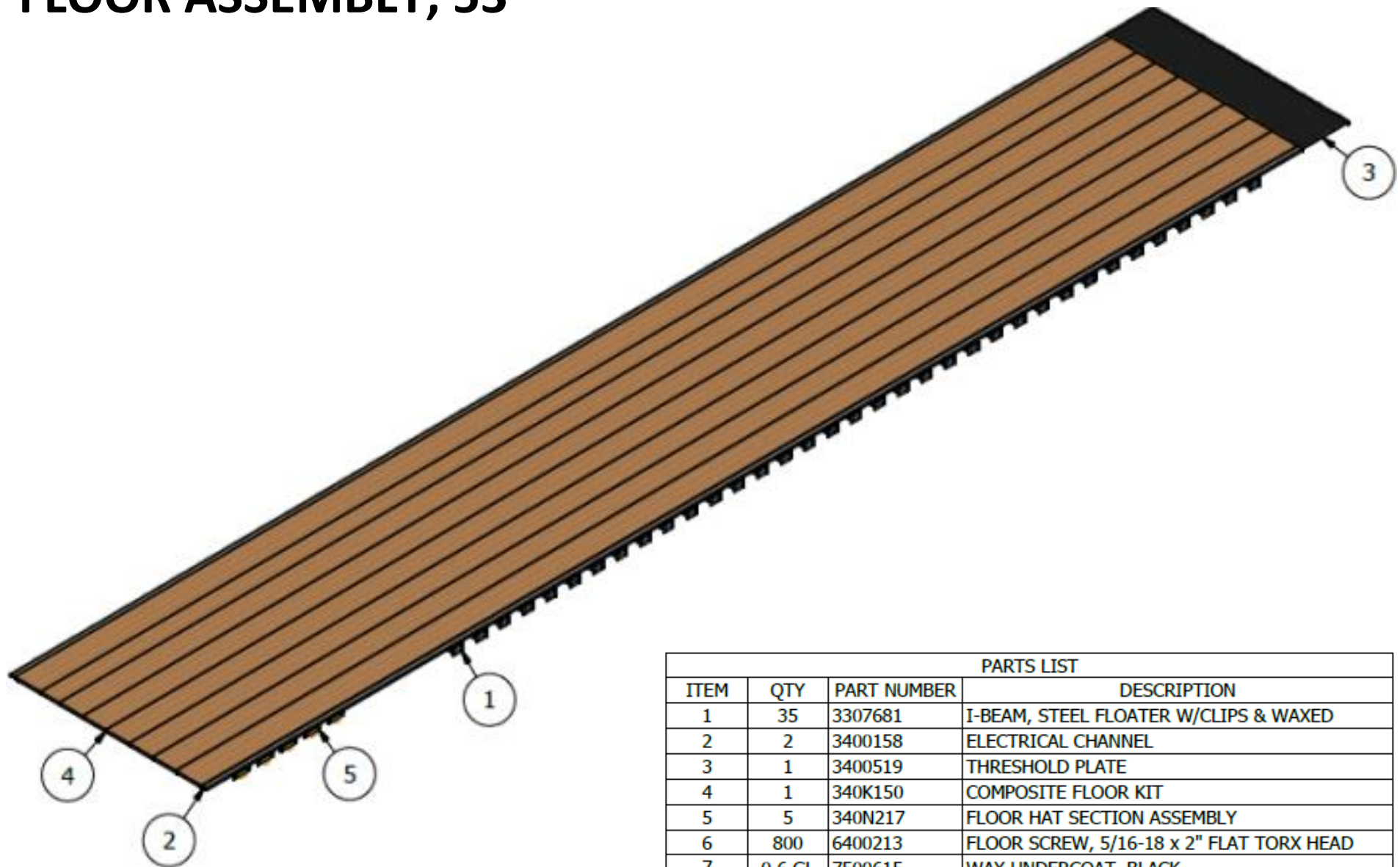
PARTS LIST			
ITEM	QTY	PART NUMBER	DESCRIPTION
1	14	3307681	I-BEAM, FLOATER W/CLIPS & WAXED
2	2	3400158-01	ELECTRICAL CHANNEL
3	1	3400519	THRESHOLD PLATE
4	1	340K150-01	COMPOSITE FLOOR KIT
5	1	340N217	FLOOR HAT SECTION ASSEMBLY
6	400	6400213	FLOOR SCREW, 5/16-18 x 2" FLAT TORX HEAD
7	N/A	7500615	WAX UNDERCOAT, BLACK

FLOOR ASSEMBLY, 48'



PARTS LIST			
ITEM	QTY	PART NUMBER	DESCRIPTION
1	30	3307681	I-BEAM, FLOATER W/CLIPS & WAXED
2	2	3400158-05	ELECTRICAL CHANNEL
3	1	3400524	THRESHOLD PLATE, NOTCHED
4	1	340K150-05	COMPOSITE FLOOR KIT
5	5	340N217	FLOOR HAT SECTION ASSEMBLY
6	720	6400213	FLOOR SCREW, 5/16-18 x 2" FLAT TORX HEAD
7	0.6 GL	7500615	WAX UNDERCOAT, BLACK

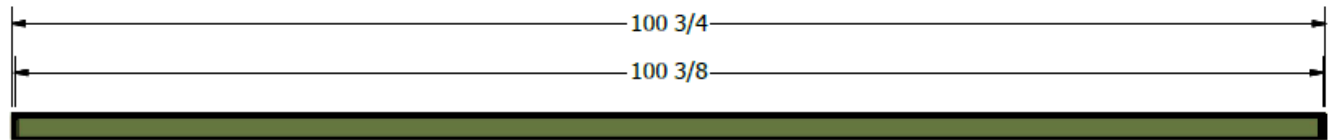
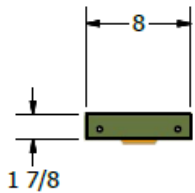
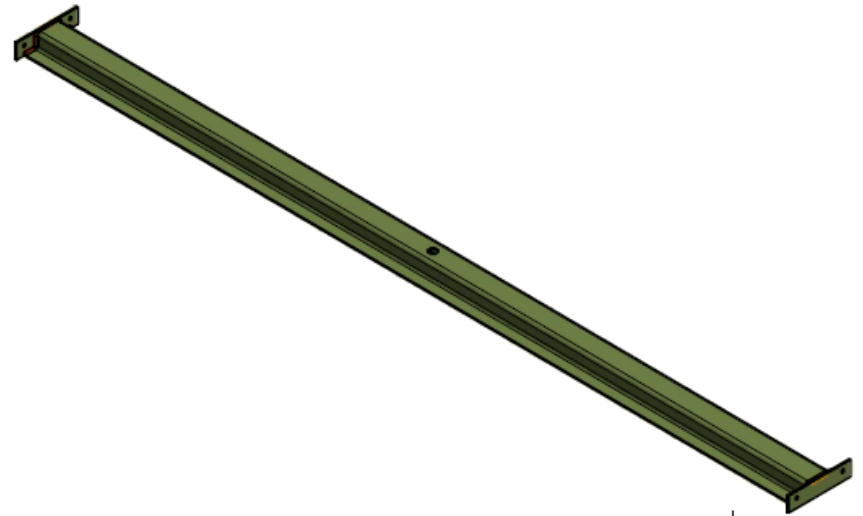
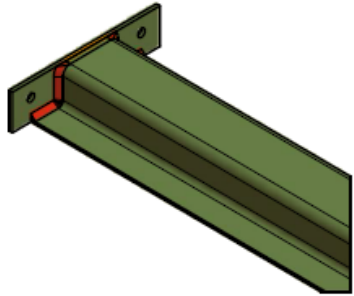
FLOOR ASSEMBLY, 53'



PARTS LIST			
ITEM	QTY	PART NUMBER	DESCRIPTION
1	35	3307681	I-BEAM, STEEL FLOATER W/CLIPS & WAXED
2	2	3400158	ELECTRICAL CHANNEL
3	1	3400519	THRESHOLD PLATE
4	1	340K150	COMPOSITE FLOOR KIT
5	5	340N217	FLOOR HAT SECTION ASSEMBLY
6	800	6400213	FLOOR SCREW, 5/16-18 x 2" FLAT TORX HEAD
7	0.6 GL	7500615	WAX UNDERCOAT, BLACK

FLOOR HAT SECTION ASSEMBLY

340N217

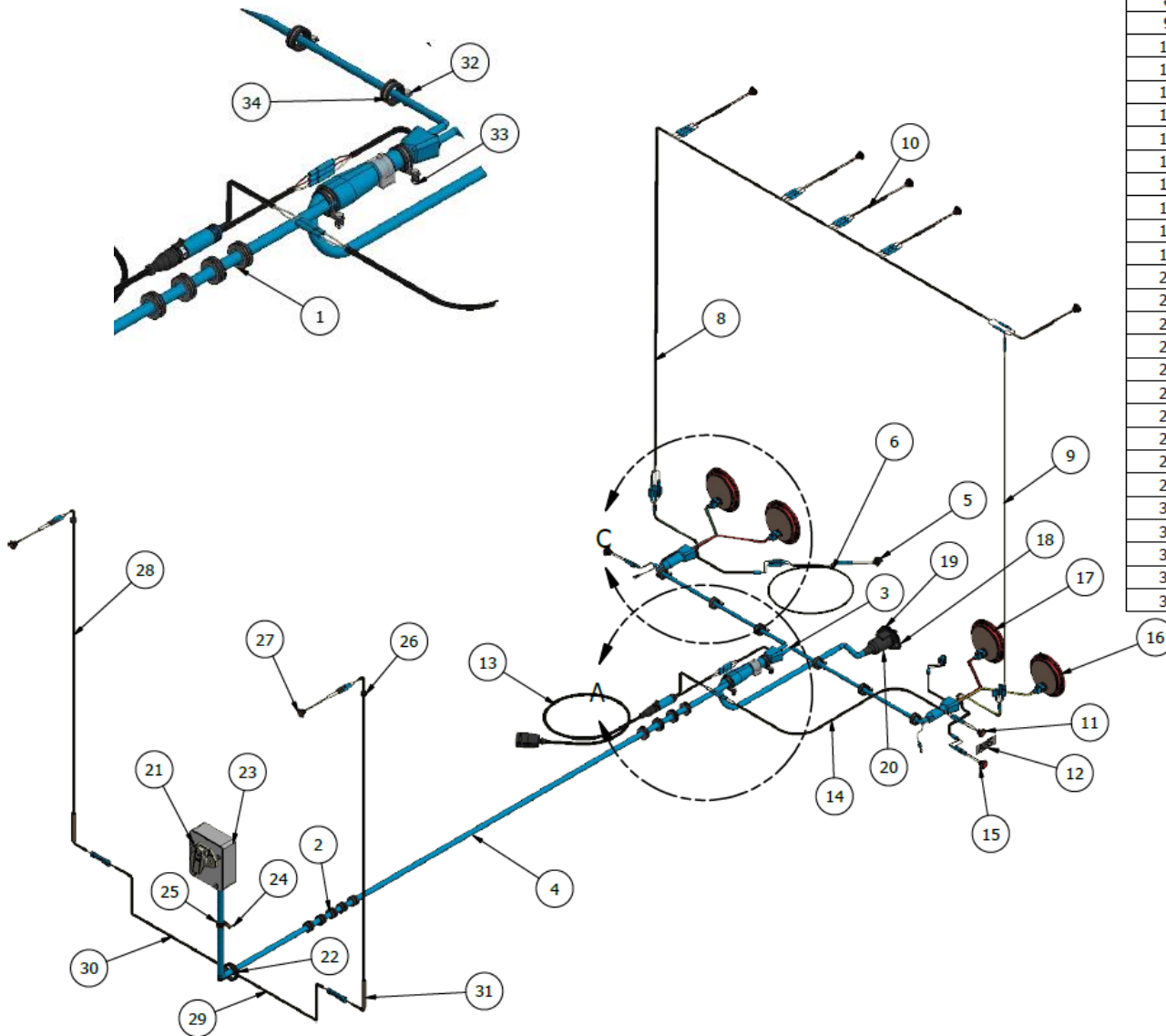




**ELECTRICAL ASSEMBLIES
FOR
LTL XPO TRAILERS**

ELECTRICAL ASSEMBLY, LTL28'

800M121



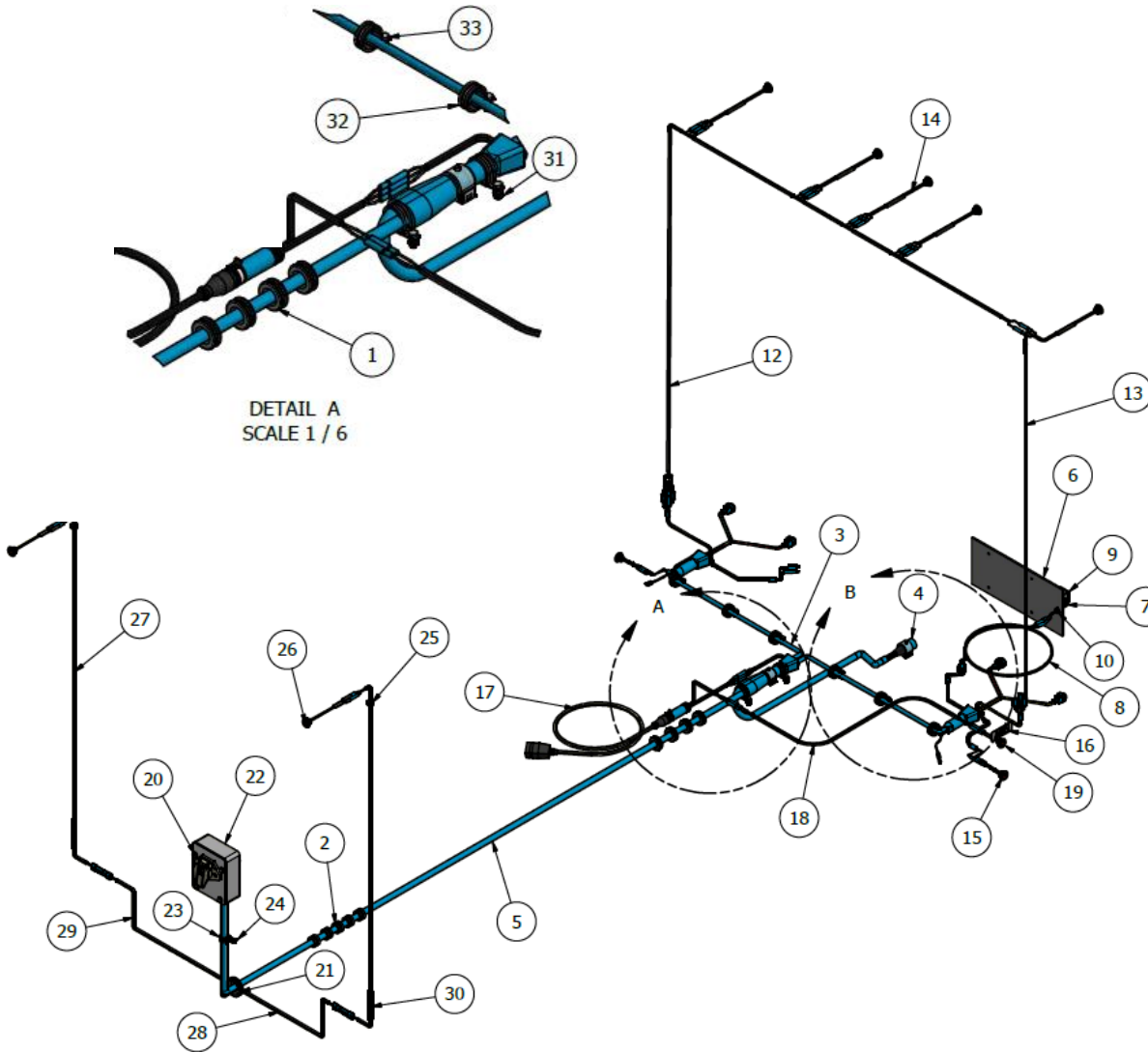
PARTS LIST			
ITEM	QTY	PART NUMBER	DESCRIPTION
1	4	8000459	GROMMET 1 3/8"
2	5	8000477	GROMMET 1"
3	1	8000550	REAR SILL HARNESS
4	1	8000598	MAIN HARNESS
5	1	8000196	LICENSE LIGHT
6	1	8000197	MARKER LIGHT JUMPER
7	2	8000451	GROMMET 1 1/16"
8	1	8000553	DOOR HEADER HARNESS
9	1	8000554	TURN SIGNAL JUMPER
10	5	8000571	MICRO-NOVA DOT RED LED DUAL
11	2	8000570	MICRO-NOVA DOT RED LED
12	1	7500200	ABS FAULT LAMP DECAL
13	1	8000560	ABS POWER HARNESS
14	1	8000561	ABS LIGHT JUMPER
15	1	8000573	MICRO-NOVA DOT AMBER LED
16	12	6300119	RIVET, POP
17	4	8000575	TAIL LIGHT 4" LED
18	2	6000312	BOLT 5/16" -18 X 3/4"
19	1	8000035	7-WAY RECEPTACLE
20	1	8000915	7-WAY BOOT
21	4	6000298	BOLT, 5/16" - 18 x2 1/2"
22	1	8000476	GROMMET 2"
23	1	8000943	7-WAY SMART BOX
24	1	6300015	RIVET, POP
25	1	8000261	CLAMP, RUBBER CUSHION
26	2	8000458	GROMMET 5/8"
27	2	8000572	MICRO-NOVA DOT AMBER
28	2	8000594	FORWARD WALL HARNESS
29	1	8000596	JUMPER HARNESS 36"
30	1	8000597	JUMPER HARNESS 96"
31	1	8000997	SPLIT LOOM, 3/8"
32	1	6000275	BOLT 1/4" - 20 x 3/4"
33	8	6100256	NUT, 1/4" - 20
34	8	8000275	CLAMP, CUSHION



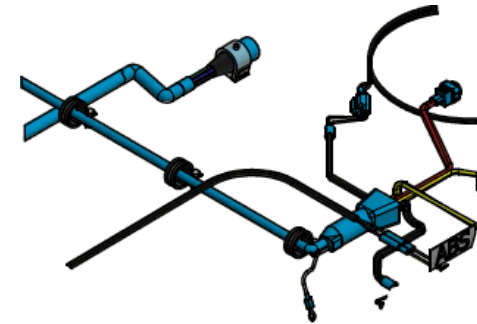
DETAIL C

ELECTRICAL ASSEMBLY, LTL28' LG

800M124



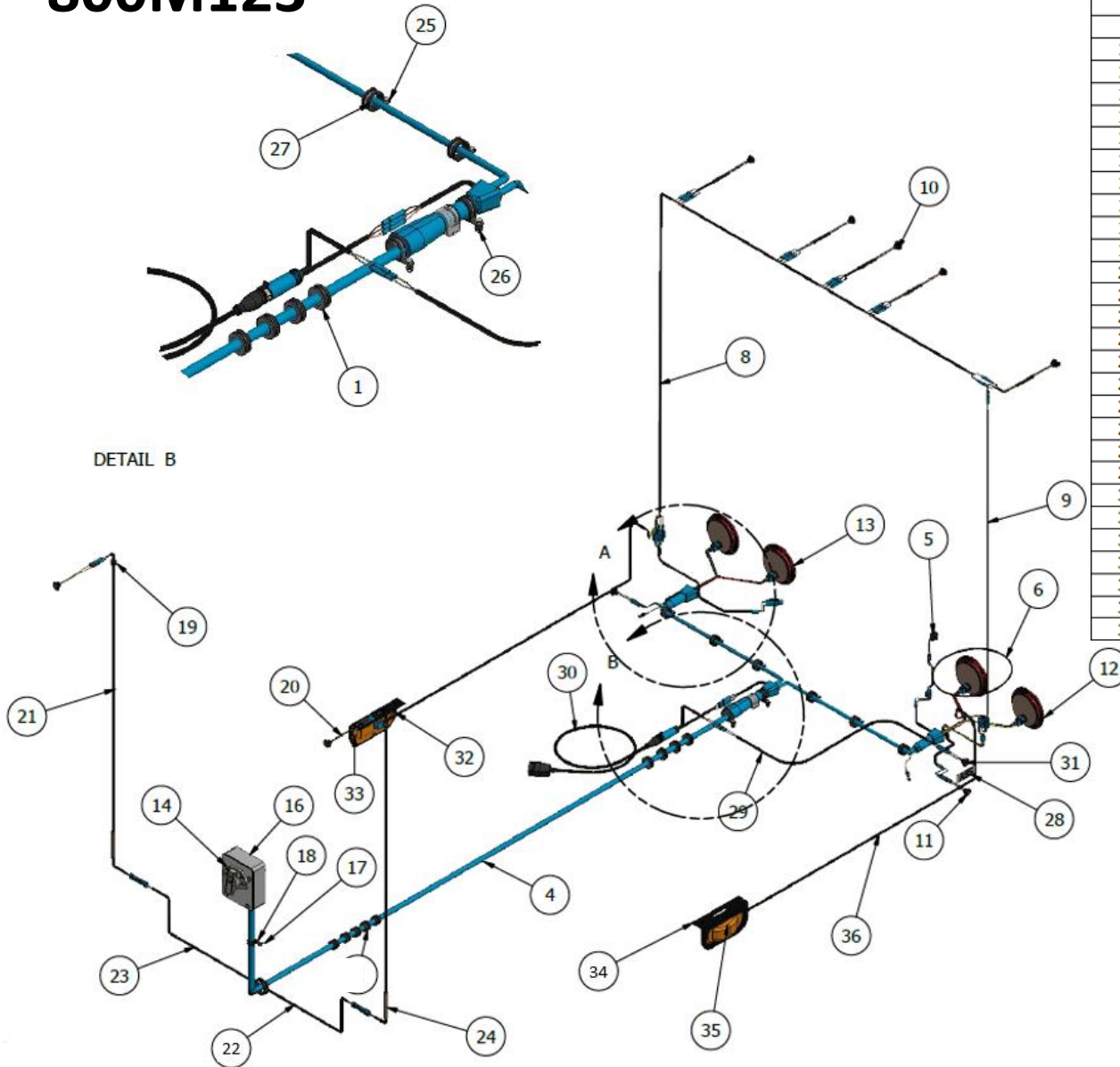
PARTS LIST			
ITEM	QTY	PART NUMBER	DESCRIPTION
1	8	8000459	GROMMET 1 3/4"
2	4	8000477	GROMMET 1"
3	1	8000550	REAR SILL HARNESS
4	1	8000577	DUMMY PLUG REAR 7-WAY
5	1	8000598	MAIN HARNESS
6	1	2400199	BRACKET, LICENSE PLATE
7	1	8000196	LICENSE LIGHT MICRO-NOVA
8	3	8000197	MARKER LIGHT JUMPER
9	1	8000198	PINTLE HOOK LAMP MOUNT
10	1	8000458	GROMMET 5/8"
11	1	8000451	GROMMET, 1 1/16"
12	1	8000553	DOOR HEADER HARNESS
13	1	8000554	TURN SIGNAL JUMPER
14	5	8000571	MICRO-NOVA DOT DUAL RED LED
15	2	8000570	MICRO-NOVA DOT RED LED
16	1	7500200	ABS FAULT LAMP DECAL
17	1	8000560	ABS POWER HARNESS
18	1	8000561	ABS LIGHT JUMPER HARNESS
19	1	8000573	MICRO-NOVA DOT AMBER
20	4	6000298	BOLT, 5/16" - 18 x 2 1/2"
21	1	8000476	GROMMET, 2"
22	1	8000943	7-WAY SMART BOX
23	1	8000261	CLAMP, RUBBER CUSHION
24	1	6300015	RIVET, POP
25	2	8000458	GROMMET, 5/8"
26	2	8000572	MICRO-NOVA DOT AMBER
27	2	8000594	FORWARD WALL HARNESS
28	1	8000596	JUMPER HARNESS 36"
29	1	8000597	JUMPER HARNESS 96"
30	1	8000997	SPLIT LOOM
31	8	6100256	NUT 1/4" - 20
32	8	8000275	CLAMP, CUSHION 1 1/4"
33	8	6000275	BOLT, 1/4" - 20 x 3/4"



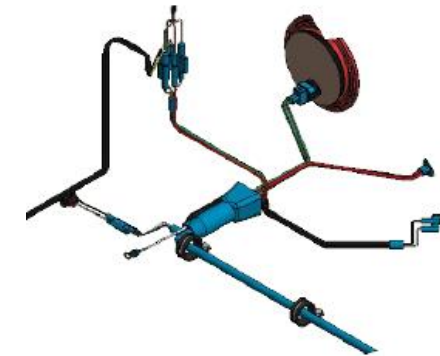
DETAIL B
SCALE 1 / 6

ELECTRICAL ASSEMBLY, LTL48'

800M123



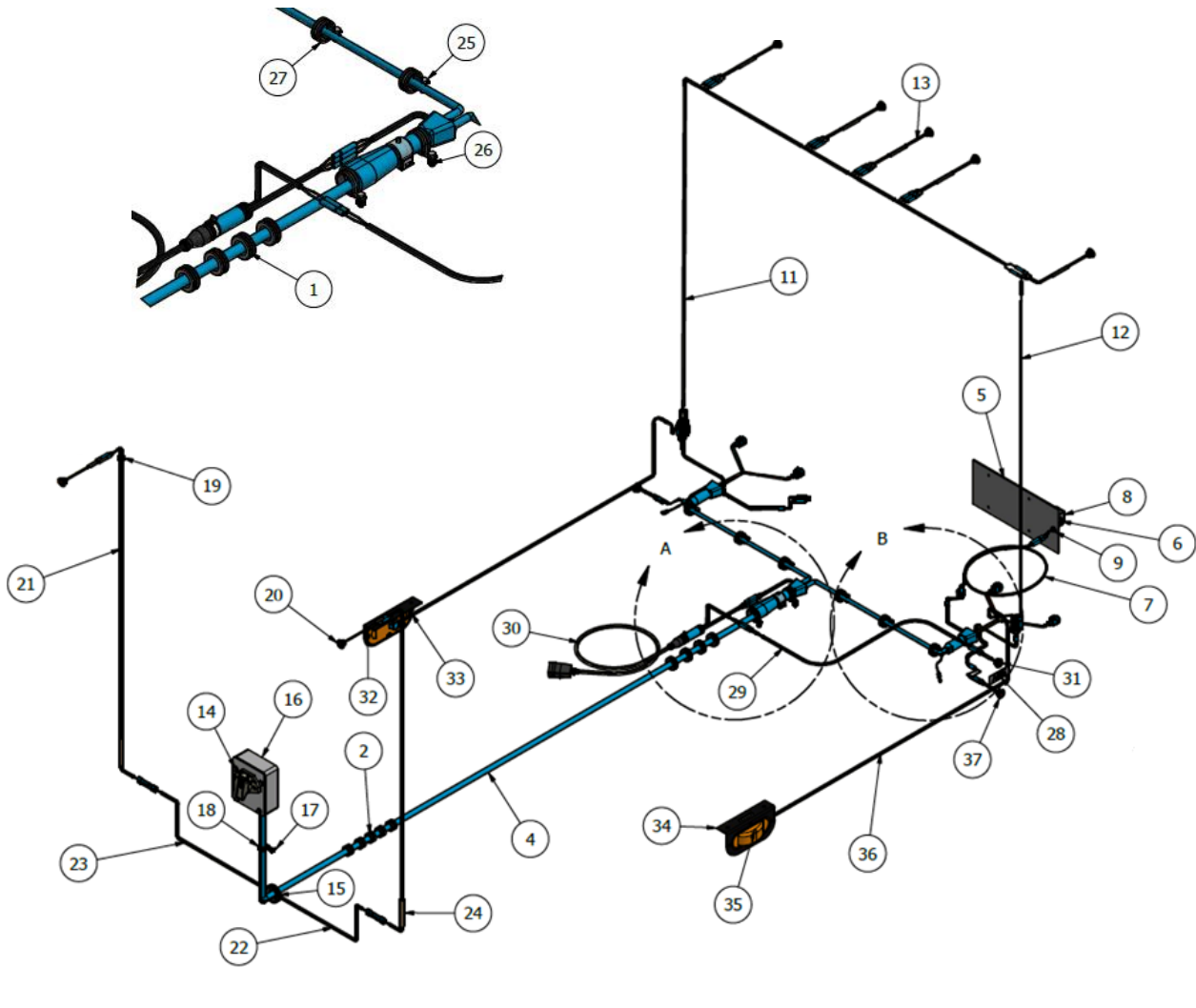
PARTS LIST			
ITEM	QTY	PART NUMBER	DESCRIPTION
1	8	8000459	GROMMET 1 3/4"
2	4	8000477	GROMMET 1"
3	1	8000550	REAR SILL HARNESS
4	1	8000592	MAIN HARNESS
5	1	8000196	LICENSE LIGHT
6	1	8000197	MARKER LIGHT JUMPER
7	2	8000451	GROMMET 1 1/16"
8	1	8000553	DOOR HEADER HARNESS
9	1	8000554	TURN SIGNAL JUMPER
10	5	8000571	MICRO-NOVA DOT DUAL RED LED
11	2	8000570	MICRO-NOVA DOT RED LED
12	12	6300119	RIVET,POP
13	4	8000875	TAIL LIGHT 4"
14	4	6000298	BOLT, 5/16" - 18 x 2 1/2"
15	1	8000476	GROMMET2"
16	1	8000943	7-WAI SMART BOX
17	1	6300015	RIVET, POP
18	1	8000261	CLAMP, RUBBER CUSHION
19	2	8000458	GROMMET 5/8"
20	2	8000572	MICRO-NOVA AMBER DOT LED
21	2	8000594	FORWARD WALL HARNESS
22	1	8000596	JUMPER HARNESS 36"
23	1	8000597	JUMPER HARNESS 96"
24	1	8000997	SPLIT LOOM
25	8	6000275	BOLT, 1/4" -20 x 3/4"
26	8	6100256	NUT 1/4" - 20
27	8	8000275	CLAMP, CUSHION 1 1/4"
28	1	7500200	ABS FAULT DECAL
29	1	8000561	ABS LIGHT JUMPER HARNESS
30	1	8000564	ABS POWER HARNESS-SEMI
31	1	8000573	MICRO-NOVA AMBER LED
32	2	6300126	RIVET, POP
33	2	6300153	RIVET, POP
34	2	8000064	MOUNTING BRACKET, OVAL MID-TURN
35	2	8000132	MID-TURN LED FLANGE MOUNT
36	2	8004809	MID-TURN HARNESS



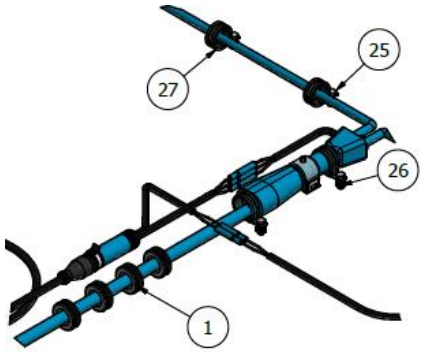
DETAIL A

ELECTRICAL ASSEMBLY, LTL48' LG

800M125

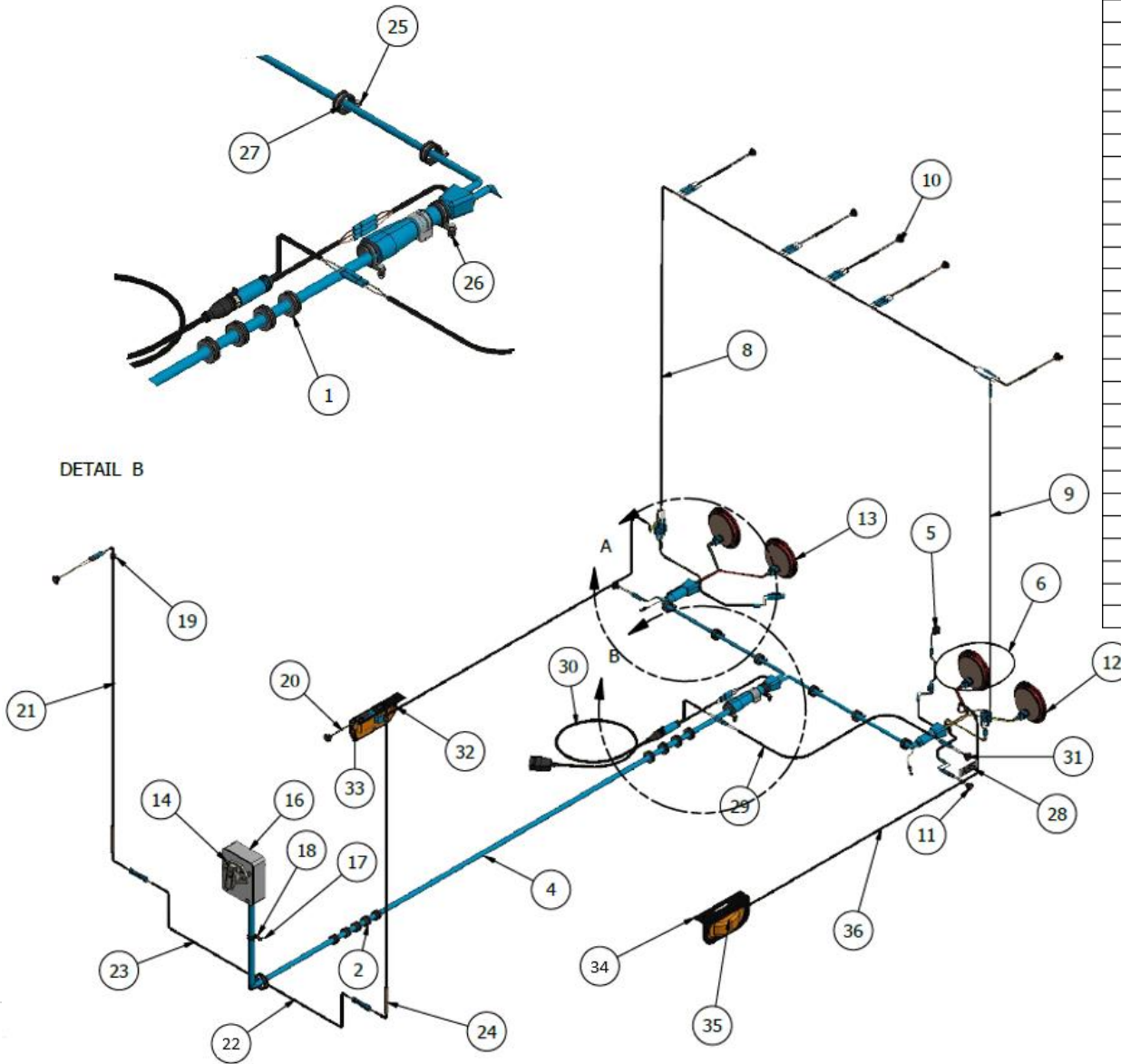


PARTS LIST				
ITEM	QTY	PART NUMBER	DESCRIPTION	
1	8	8000459	GROMMET 1 3/4"	
2	4	8000477	GROMMET 1"	
3	1	8000550	REAR SILL HARNESS	
4	1	8000592	MAIN HARNESS	
5	1	2400199	BRACKET, LICENSE PLATE	
6	1	8000196	LICENSE LIGHT MICRO-NOVA	
7	3	8000197	MARKER LIGHT JUMPER	
8	1	8000198	PINTLE HOOK LAMP MOUNTING	
9	1	8000458	GROMMET, 5/8"	
10	2	8000451	GROMMET 1 1/16"	
11	1	8000553	DOOR HEADER HARNESS	
12	1	8000554	TURN SIGNAL JUMPER	
13	5	8000571	MICRO-NOVA DOT DUAL RED LED	
14	4	6000298	BOLT, 5/16" - 18 x 2 1/2"	
15	1	8000476	GROMMET2"	
16	1	8000943	7-WAI SMART BOX	
17	1	6300015	RIVET, POP	
18	1	8000261	CLAMP, RUBBER CUSHION	
19	2	8000458	GROMMET 5/8"	
20	2	8000572	MICRO-NOVA AMBER DOT LED	
21	2	8000594	FORWARD WALL HARNESS	
22	1	8000596	JUMPER HARNESS 36"	
23	1	8000597	JUMPER HARNESS 96"	
24	1	8000997	SPLIT LOOM	
25	8	6000275	BOLT, 1/4" -20 x 3/4"	
26	8	6100256	NUT 1/4" - 20	
27	8	8000275	CLAMP, CUSHION 1 1/4"	
28	1	7500200	ABS FAULT DECAL	
29	1	8000561	ABS LIGHT JUMPER HARNESS	
30	1	8000564	ABS POWER HARNESS-SEMI	
31	1	8000573	MICRO-NOVA AMBER LED	
32	2	6300126	RIVET, POP	
33	2	6300153	RIVET, POP	
34	2	8000064	MOUNTING BRACKET, OVAL MID-TURN	
35	2	8000132	MID-TURN LED FLANGE MOUNT	
36	2	8004809	MID-TURN HARNESS	
37	2	8000570	MICRO-NOVA DOT RED	

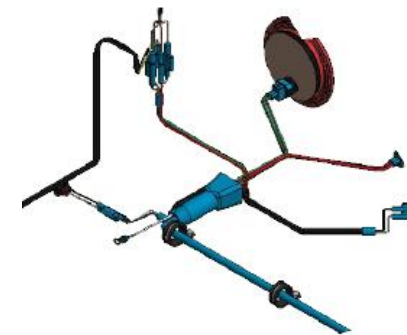


ELECTRICAL ASSEMBLY, XTL53'

800M122



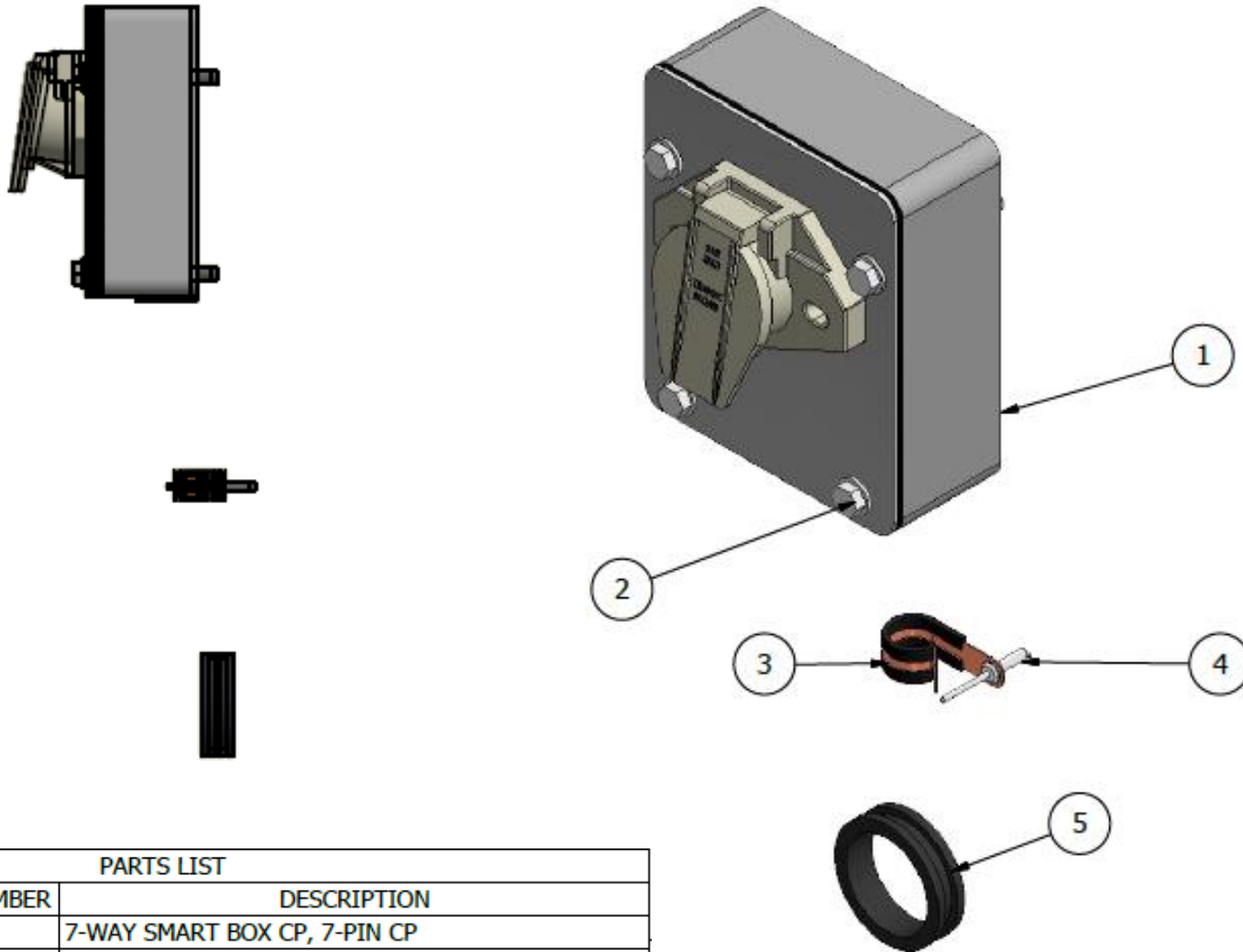
PARTS LIST			
ITEM	QTY	PART NUMBER	DESCRIPTION
1	8	8000459	GROMMET 1 3/4"
2	4	8000477	GROMMET 1"
3	1	8000550	REAR SILL HARNESS
4	1	8000593	MAIN HARNESS
5	1	8000196	LICENSE LIGHT
6	1	8000197	MARKER LIGHT JUMPER
7	2	8000451	GROMMET 1 1/16"
8	1	8000553	DOOR HEADER HARNESS
9	1	8000554	TURN SIGNAL JUMPER
10	5	8000571	MICRO-NOVA DOT DUAL RED LED
11	2	8000570	MICRO-NOVA DOT RED LED
12	12	6300119	RIVET, POP
13	4	8000875	TAIL LIGHT 4"
14	4	6000298	BOLT, 5/16" - 18 x 2 1/2"
15	1	8000476	GROMMET2"
16	1	8000943	7-WAI SMART BOX
17	1	6300015	RIVET, POP
18	1	8000261	CLAMP, RUBBER CUSHION
19	2	8000458	GROMMET 5/8"
20	2	8000572	MICRO-NOVA AMBER DOT LED
21	2	8000594	FORWARD WALL HARNESS
22	1	8000596	JUMPER HARNESS 36"
23	1	8000597	JUMPER HARNESS 96"
24	1	8000997	SPLIT LOOM
25	8	6000275	BOLT, 1/4" -20 x 3/4"
26	8	6100256	NUT 1/4" - 20
27	8	8000275	CLAMP, CUSHION 1 1/4"
28	1	7500200	ABS FAULT DECAL
29	1	8000561	ABS LIGHT JUMPER HARNESS
30	1	8000564	ABS POWER HARNESS-SEMI
31	1	8000573	MICRO-NOVA AMBER LED
32	2	6300126	RIVET, POP
33	2	6300153	RIVET, POP
34	2	8000064	MOUNTING BRACKET, OVAL MID-TURN
35	2	8000132	MID-TURN LED FLANGE MOUNT
36	2	8005634	MID-TURN HARNESS



DETAIL A

7-WAY ASSEMBLY FORWARD WALL

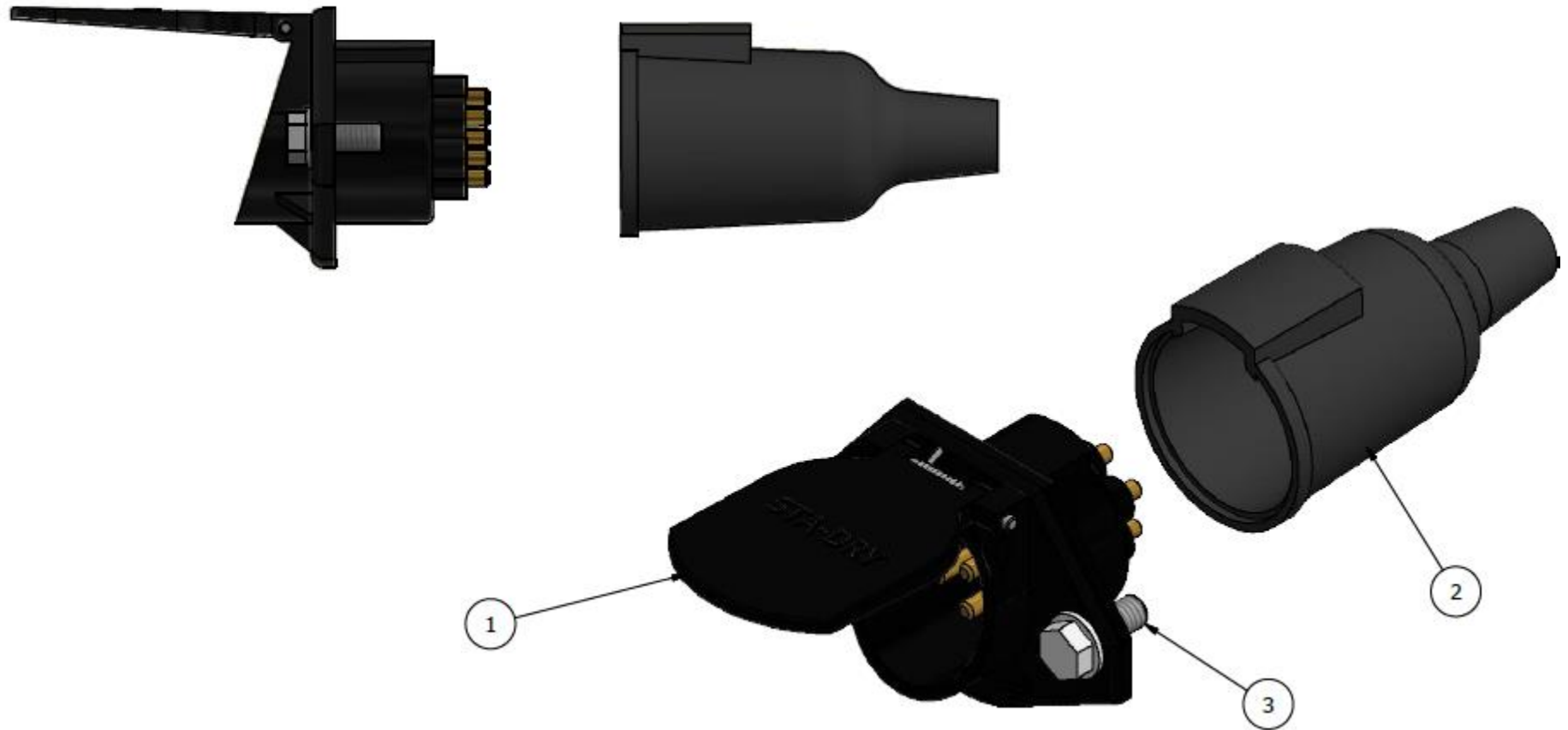
800N344



PARTS LIST			
ITEM	QTY	PART NUMBER	DESCRIPTION
1	1	8000943	7-WAY SMART BOX CP, 7-PIN CP
2	4	6000298	BOLT, 5/16-18 x 2 3/4" TRILOBULAR SELF-TAPPING
3	1	8000261	CLAMP, RUBBER CUSHING - 3/4"
4	1	6300015	RIVET, POP - 6-9 CLOSED END
5	1	8000476	GROMMET, 2" HOLE, 1 3/4" ID

7-WAY ASSEMBLY REAR- PHILLIPS

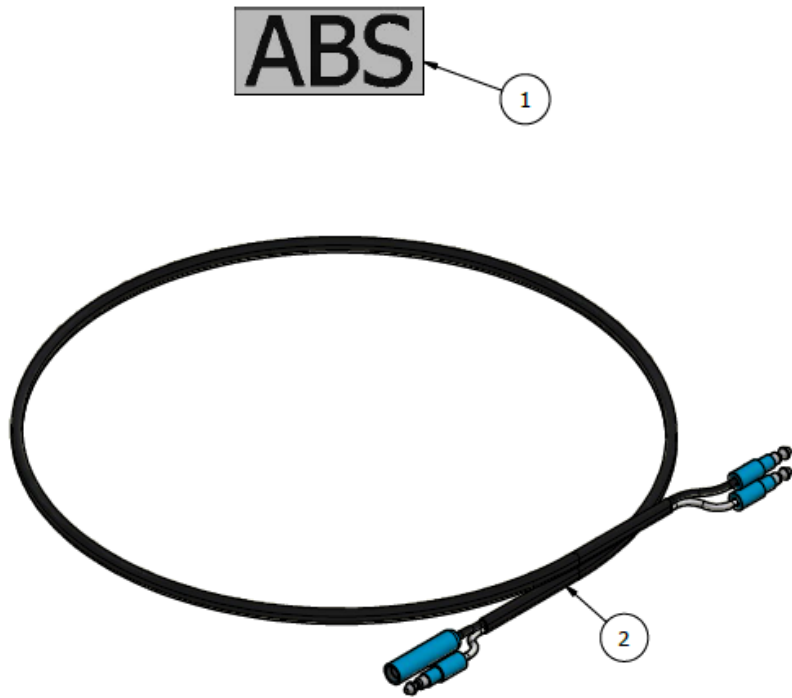
800N334



PARTS LIST			
ITEM	QTY	PART NUMBER	DESCRIPTION
1	1	8000035	7-WAY RECEPTACLE STAY DRY
2	1	8000915	7-WAY BOOT
3	2	6000312	BOLT, 5/16"-18 x 3/4"

ABS LIGHT ASSEMBLY-DOT LED

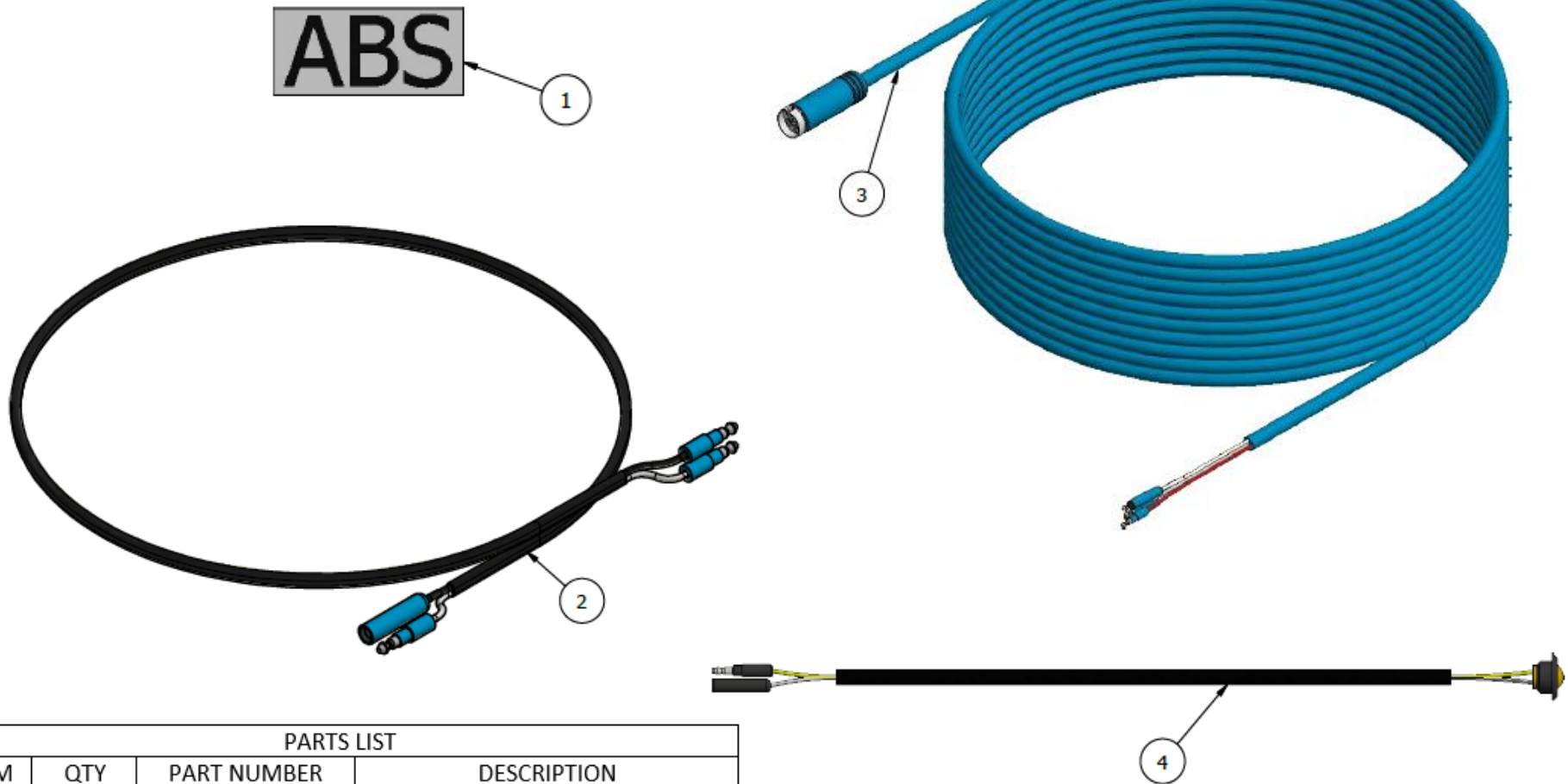
800N329



PARTS LIST			
ITEM	QTY	PART NUMBER	DESCRIPTION
1	1	7500200	ABS DECAL
2	1	8000561	ABS LIGHT JUMPER 54"
3	1	8000560	ABS POWER HARNESS 24"
4	1	8000573	MICRO-NOVA DOT AMBER LAMP

ABS LIGHT ASSEMBLY, LTL SEMI

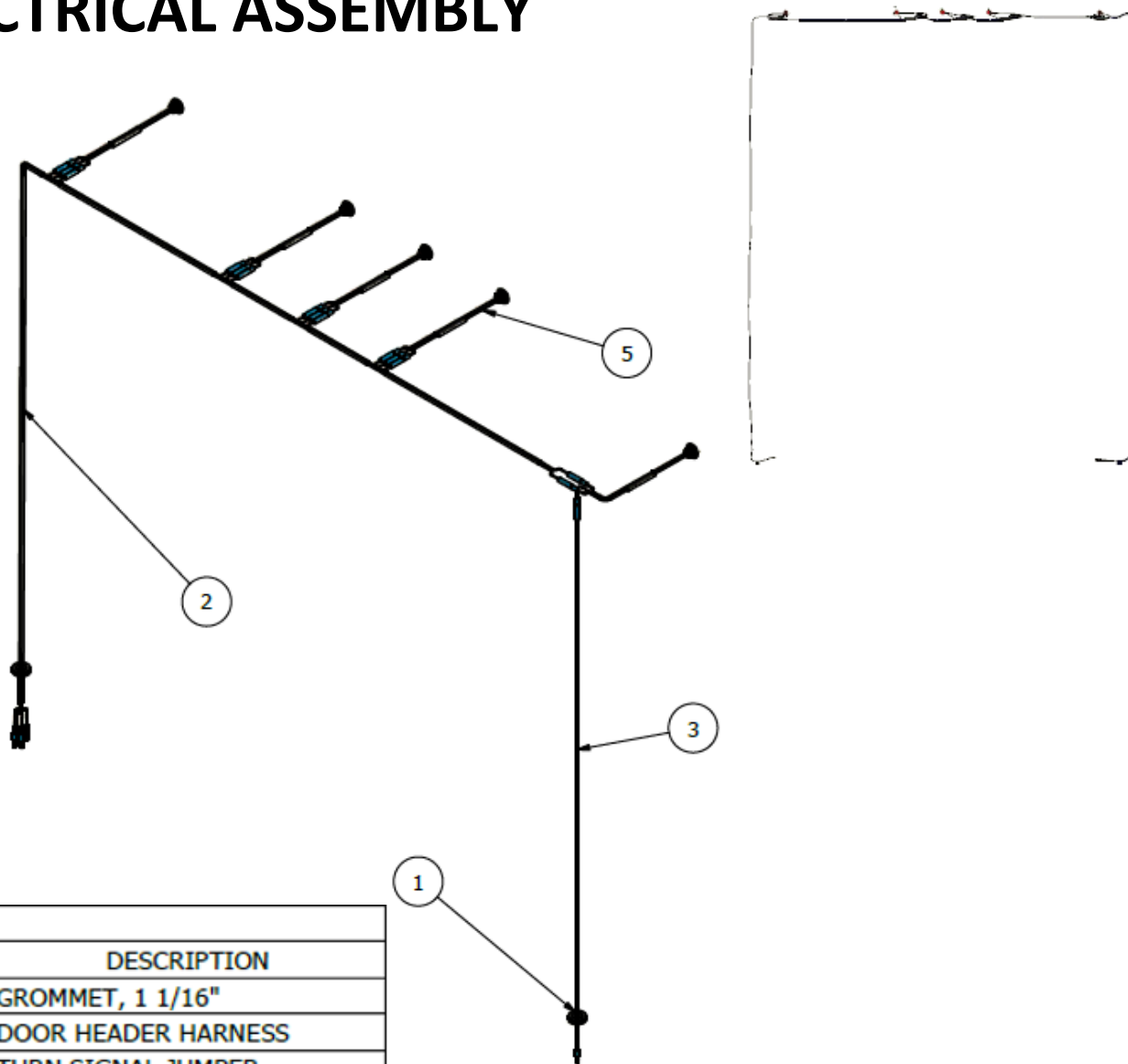
800N451



PARTS LIST			
ITEM	QTY	PART NUMBER	DESCRIPTION
1	1	7500200	ABS DECAL
2	1	8000561	ABS LIGHT JUMPER 54"
3	1	8000564	ABS POWER HARNESS 26'
4	1	8000573	MICRO-NOVA DOT AMBER LAMP

DOOR HEADER ELECTRICAL ASSEMBLY

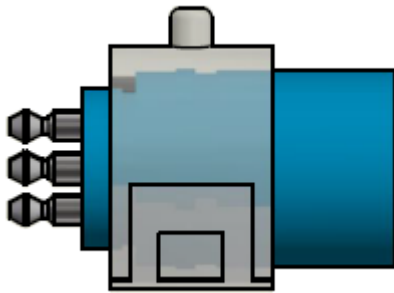
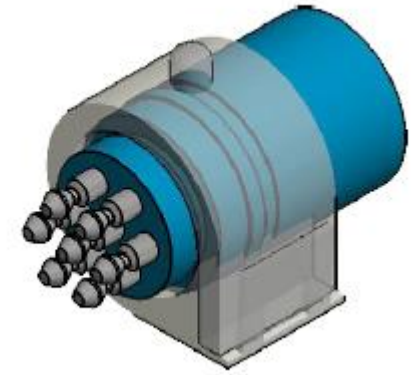
800N325



PARTS LIST			
ITEM	QTY	PART NUMBER	DESCRIPTION
1	2	8000451	GROMMET, 1 1/16"
2	1	8000553	DOOR HEADER HARNESS
3	1	8000554	TURN SIGNAL JUMPER
4	5	8000571	MICRO-NOVA DOT RED LAMP

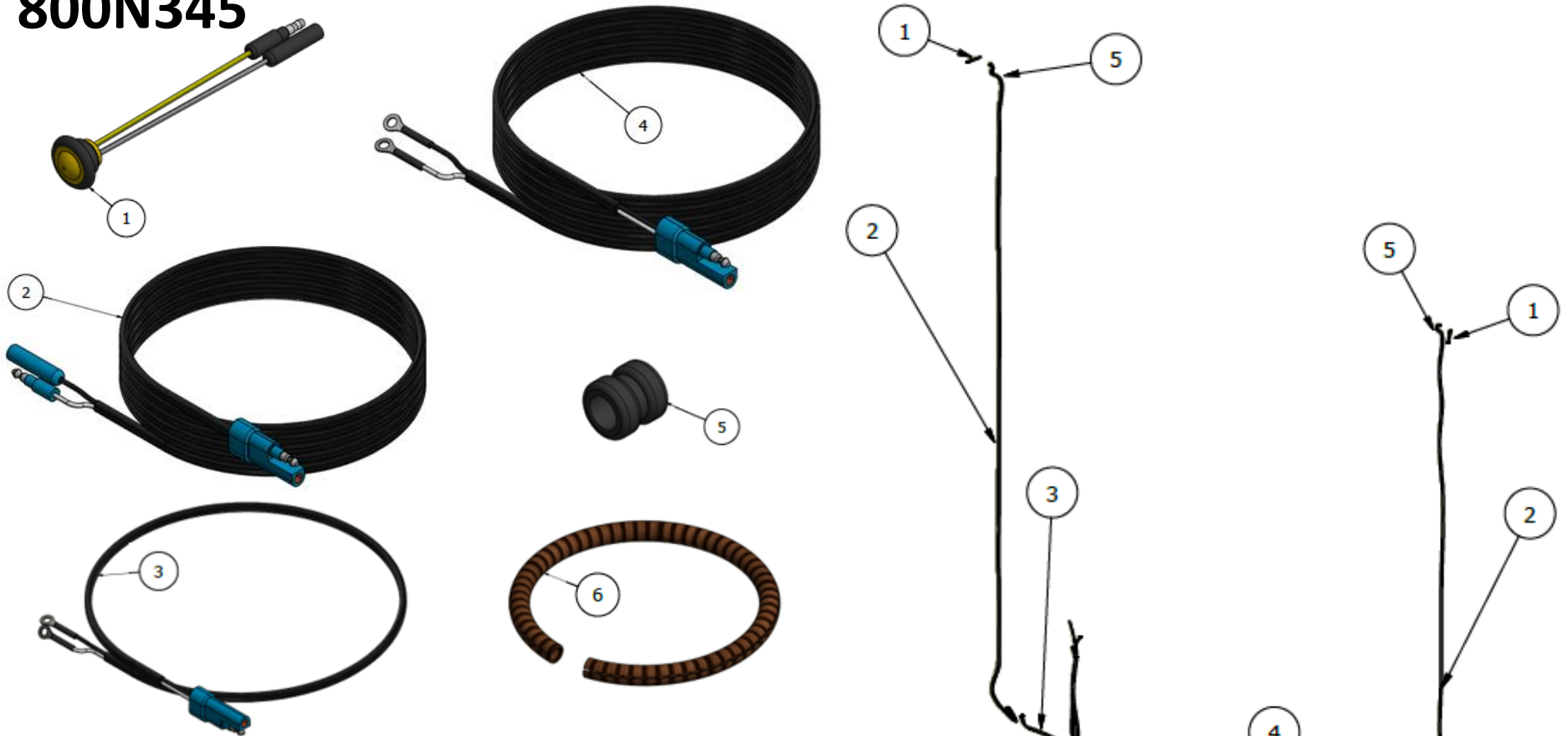
DUMMY PLUG REAR 7-WAY

8000577



FORWARD WALL ELECTRICAL ASSEMBLY

800N345

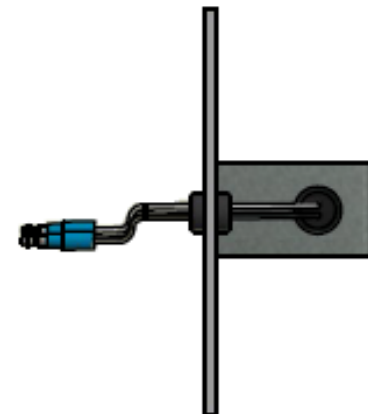
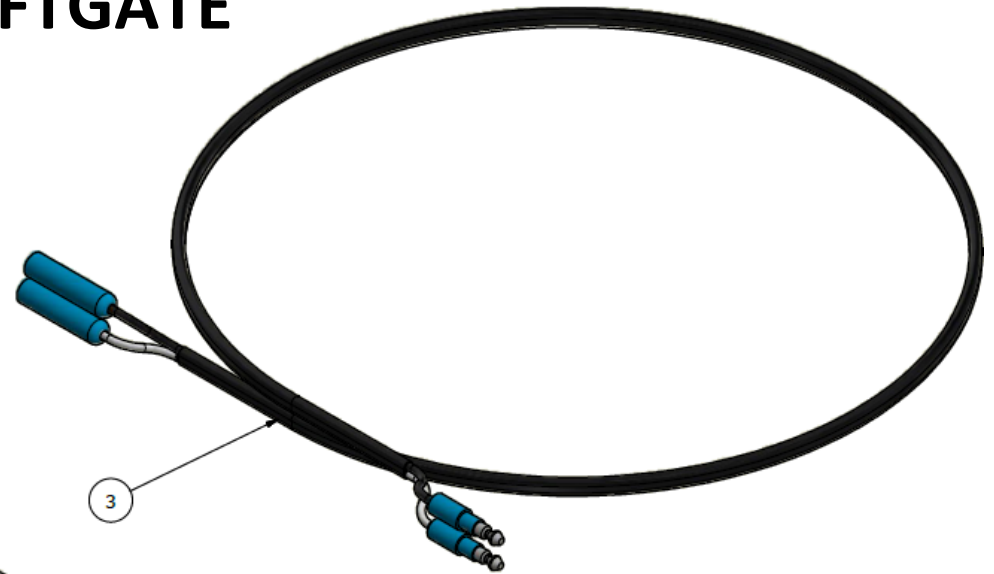
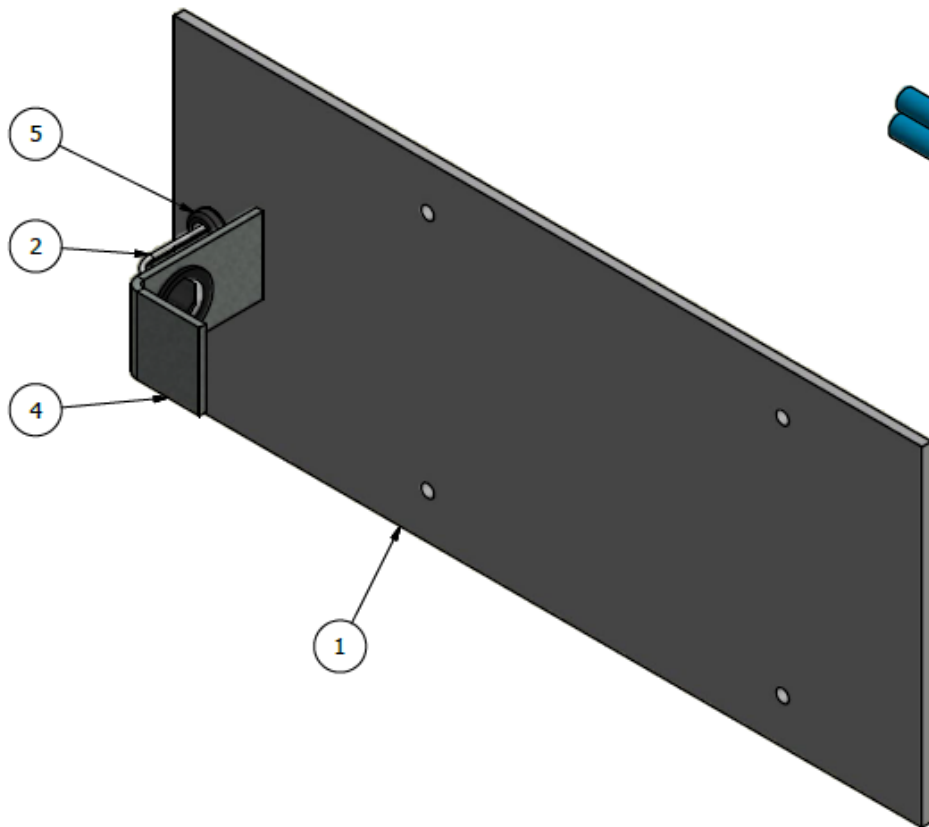


PARTS LIST

ITEM	QTY	PART NUMBER	DESCRIPTION
1	2	8000572	MICRO-NOVA DOT AMBER, LED
2	2	8000594	FORWARD HARNESS CS & RS
3	1	8000596	JUMBER HARNESS 36" RS MARKER
4	1	8000597	JUMBER HARNESS 96" CS MARKER
5	2	8000458	GROMMET 5/8" HOLE
6	2	8000997	SPLIT LOOM 3/8"

LICENSE PLATE ASSEMBLY, LIFTGATE

800N318

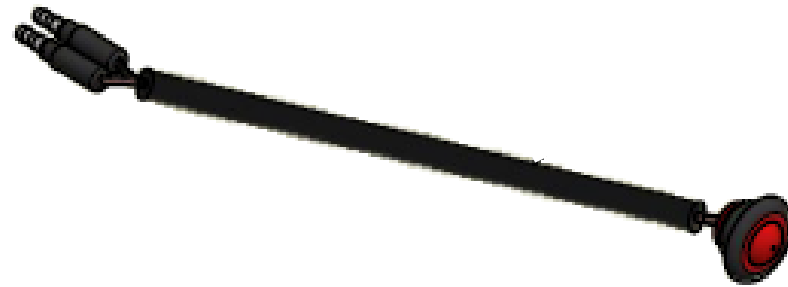


PARTS LIST

ITEM	QTY	PART NUMBER	DESCRIPTION
1	1	2400199	BRACKET, LICENSE PLATE
2	1	8000196	LICENSE LIGHT MICRONOVA
3	3	8000197	MARKER LIGHT JUMPER 36"
4	1	8000198	PINTLE HOOK LAMP MOUNTING BRACKET
5	1	8000458	GROMMET 5/8" HOLE SIZE

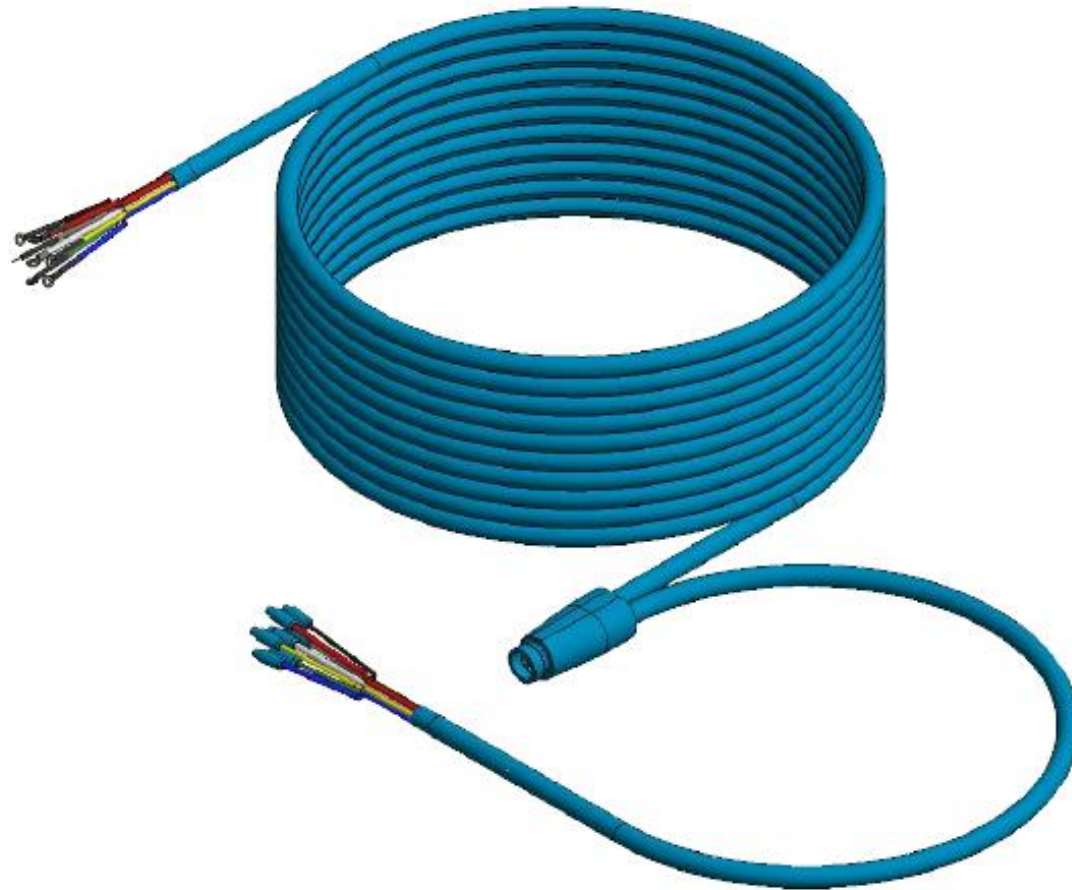
LOWER/ REAR MARKER LIGHT ASSEMBLY

800N326



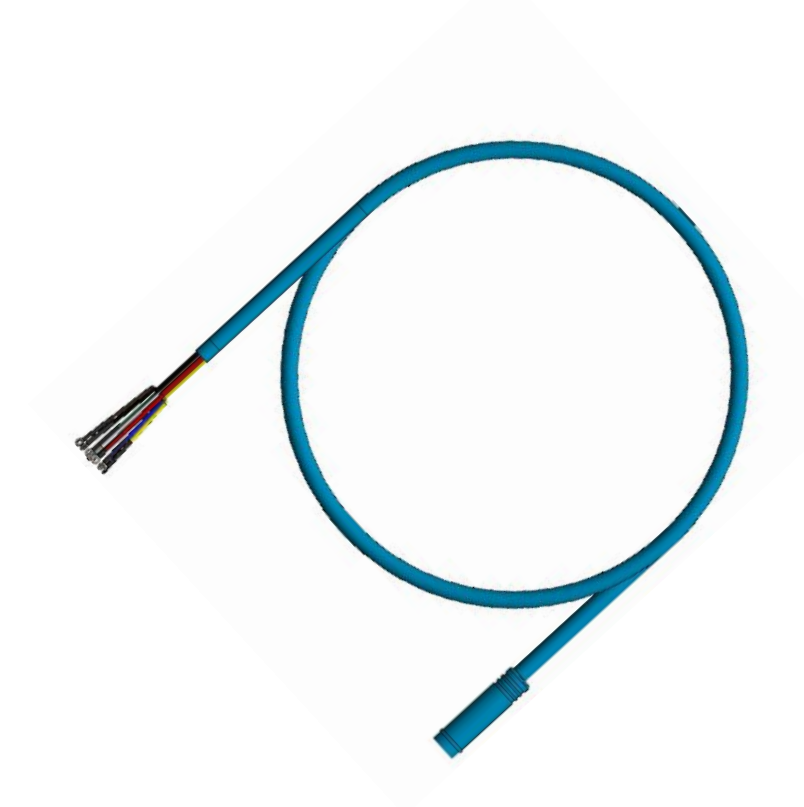
MAIN HARNESS 420", LTL28' & LIFTGATE

8000598



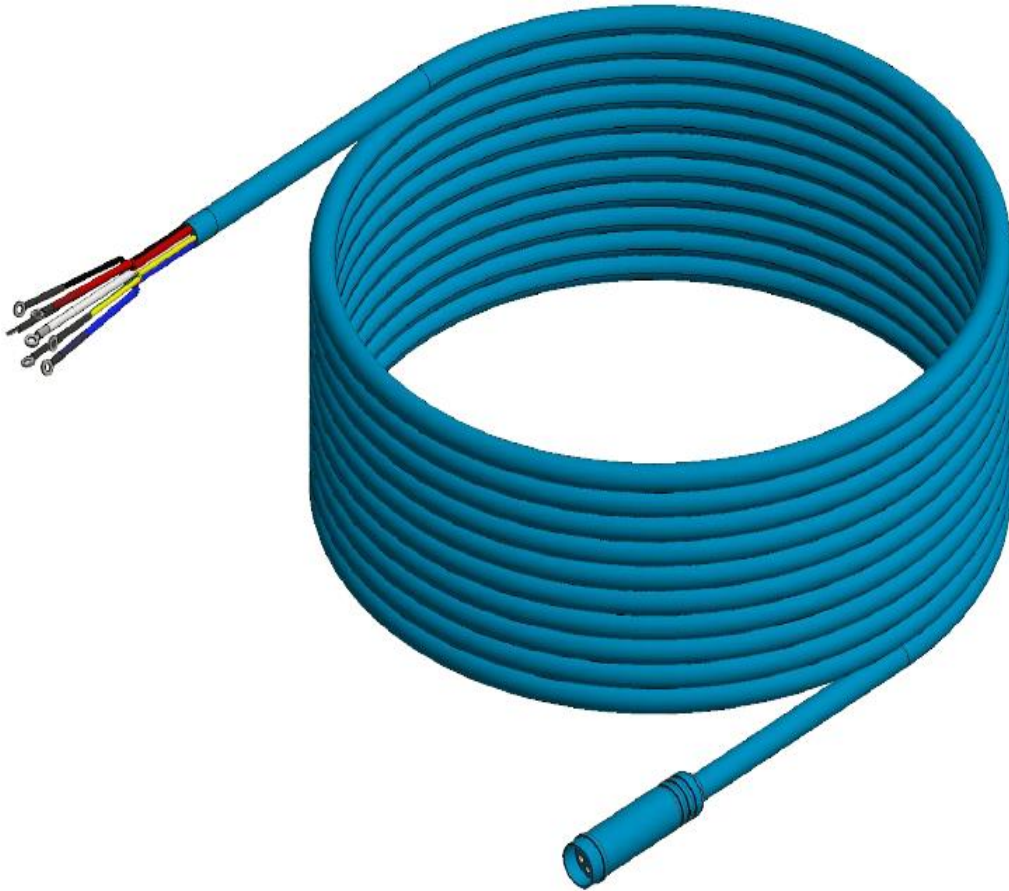
MAIN HARNESS 648", LTL45' & 48'

8000592



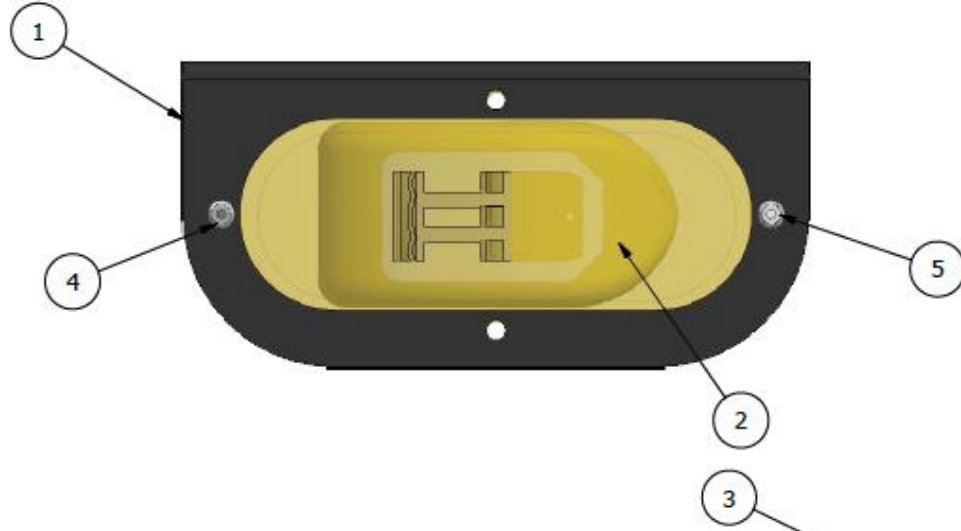
MAIN HARNESS 708", LTL53'

8000593

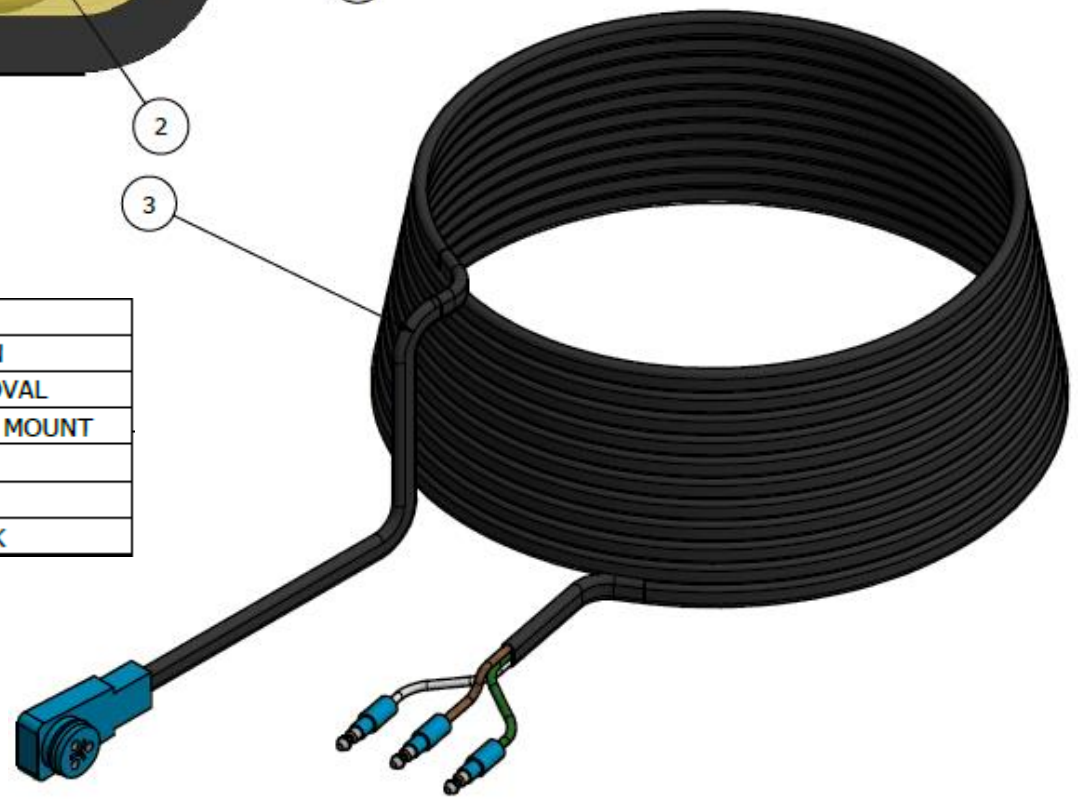


MID TURN ELECTRICAL ASSEMBLY, LTL 48'

800N536

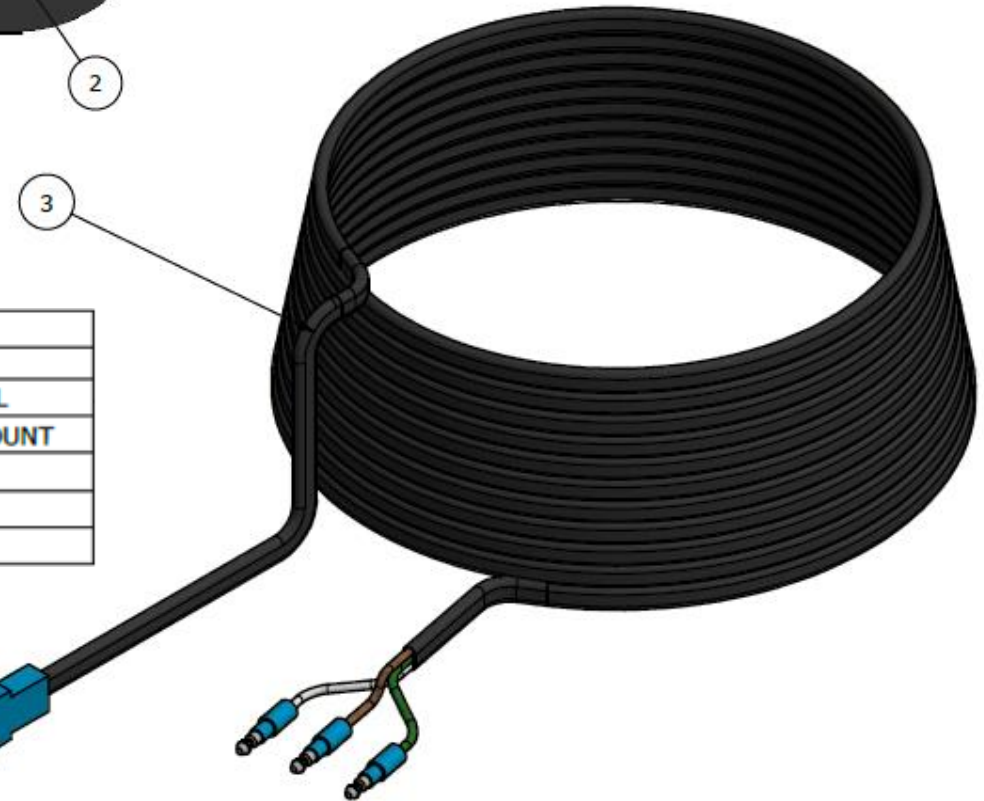
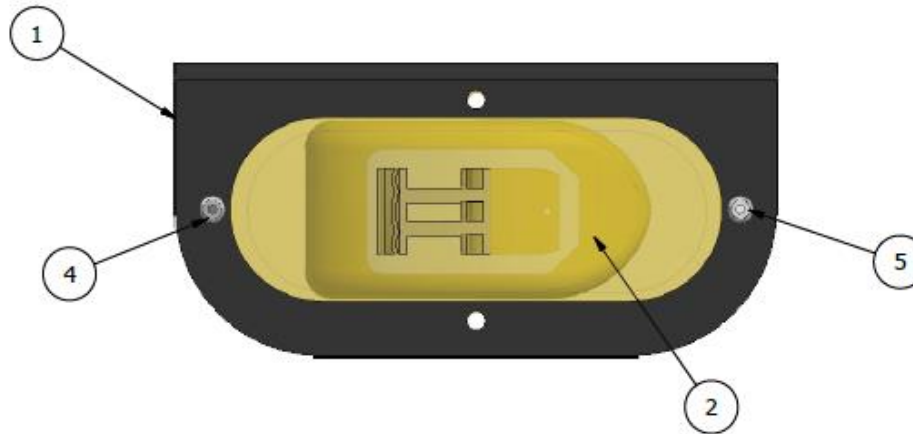


PARTS LIST			
ITEM	QTY	PART NUMBER	DESCRIPTION
1	2	8000064	MOUNTING BRACKET, OVAL
2	2	8000132	MID-TURN LED FLANGE MOUNT
3	2	8004809	MID-TURN HARNESS
4	2	6300126	RIVET, POP
5	2	6300153	RIVET, POP-MAGNA-LOK



MID TURN ELECTRICAL ASSEMBLY, 53'

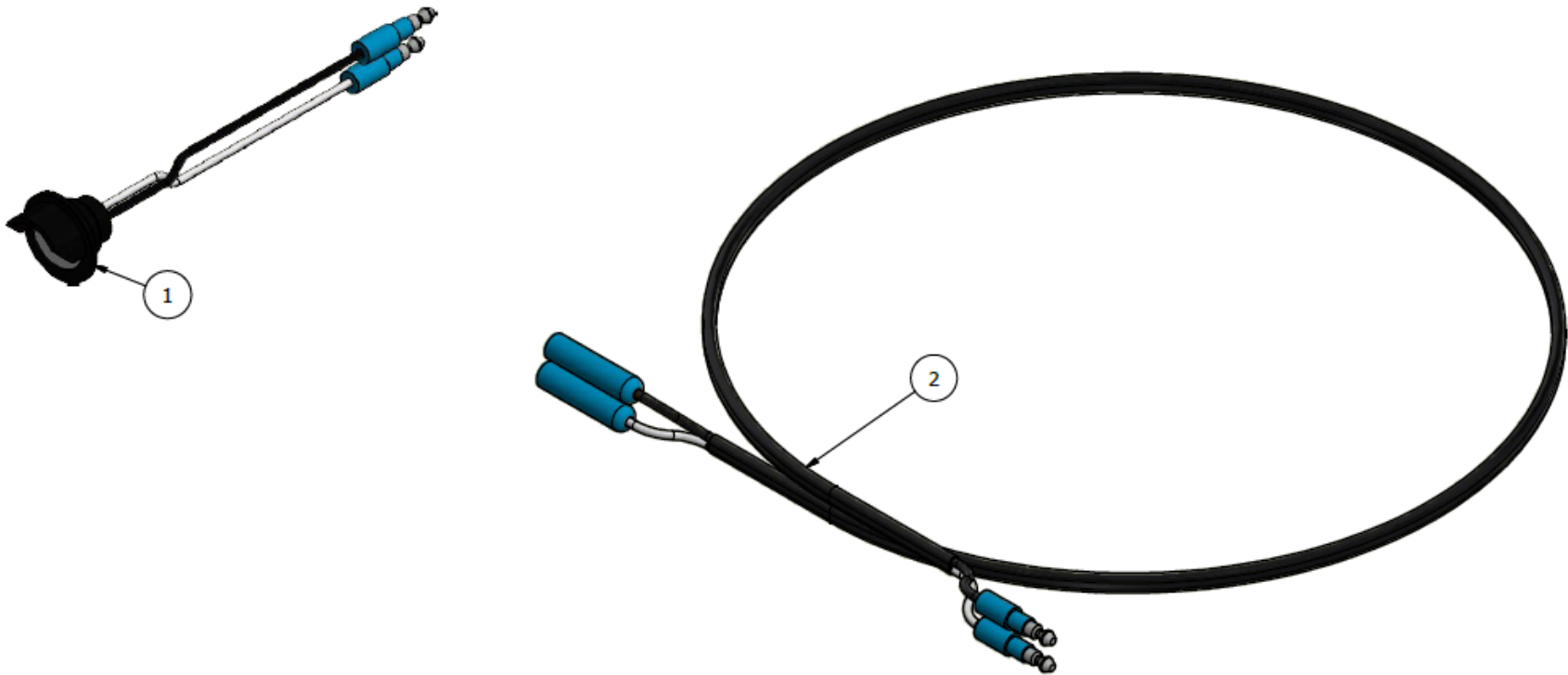
800N535



PARTS LIST			
ITEM	QTY	PART NUMBER	DESCRIPTION
1	2	8000064	MOUNTING BRACKET, OVAL
2	2	8000132	MID-TURN LED FLANGE MOUNT
3	2	8005634	MID-TURN HARNESS
4	2	6300126	RIVET, POP
5	2	6300153	RIVET, POP-MAGNA-LOK

PINTLE HOOK/ LICENSE LAMP ASSEMBLY

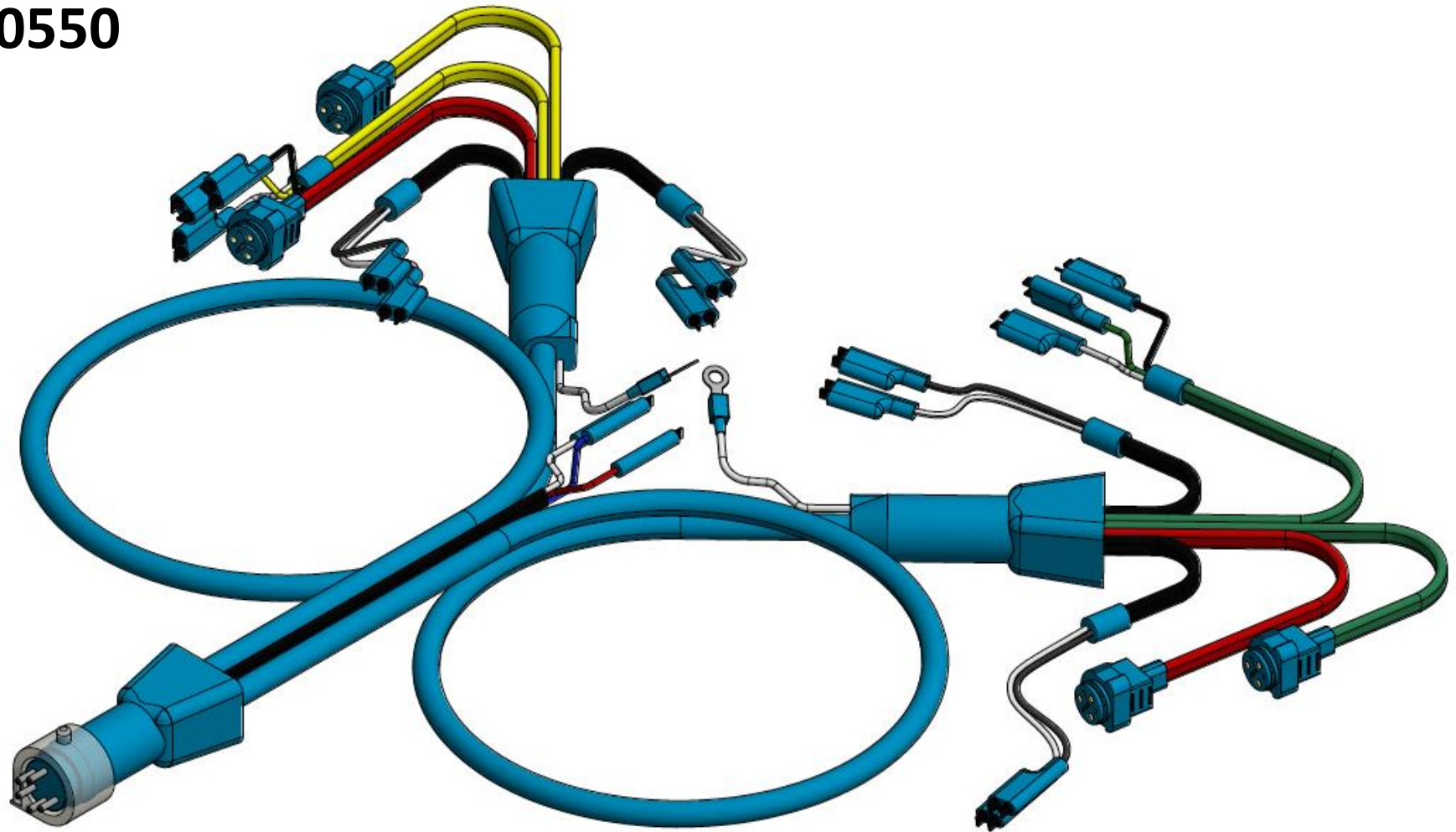
800N267



PARTS LIST			
ITEM	QTY	PART NUMBER	DESCRIPTION
1	1	8000196	LICENSE LIGHT MICRO-NOVA
2	1	8000197	MARKER LIGHT JUMPER 36"

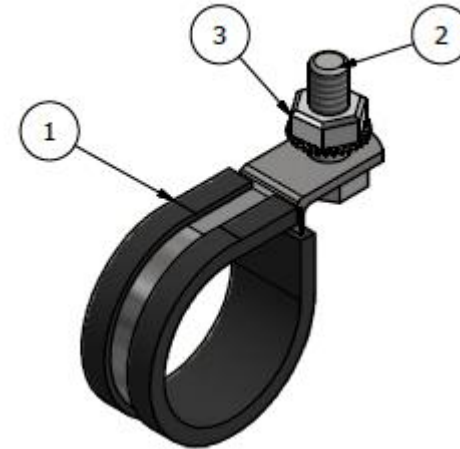
REAR HARNESS-ABS

8000550



REAR SILL FASTENER ASSEMBLY

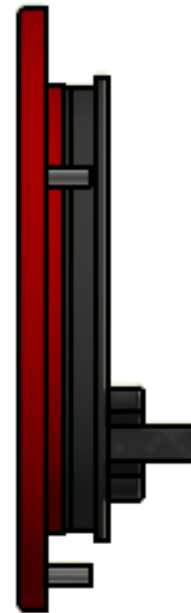
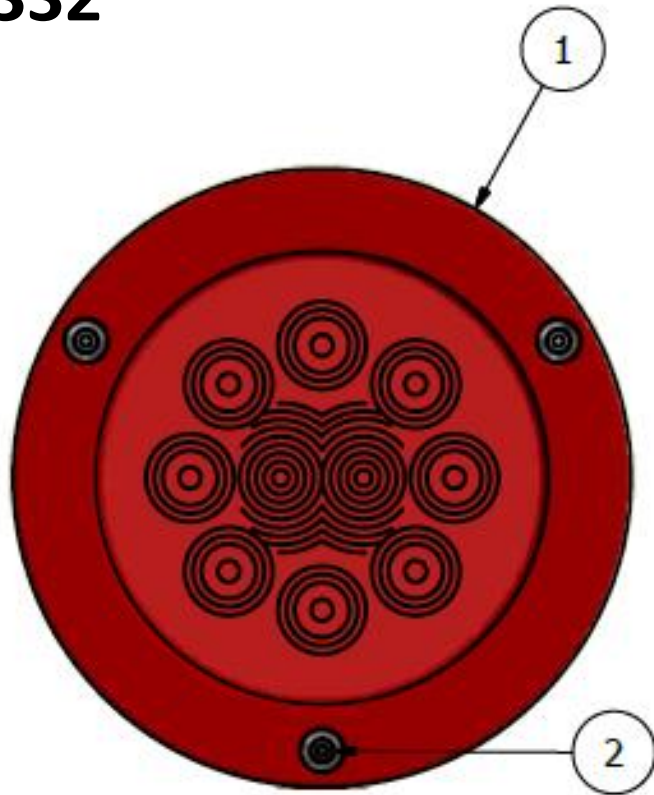
800N346 & 800N347



PARTS LIST			
ITEM	QTY	PART NUMBER	DESCRIPTION
1	8	8000275	CLAMP, RUBBER CUSHION 1 1/4"
2	8	6000275	BOLT 1/4"-20 x 3/4" GRADE 8 PLATED
3	8	6100256	NUT 1/4"-20 KEP STAINLESS

TAILLIGHT ASSEMBLY

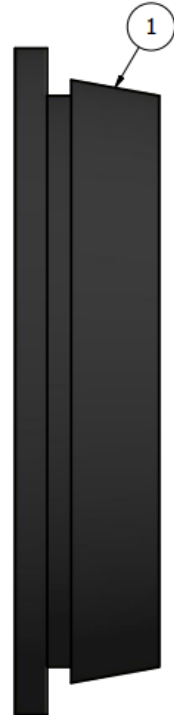
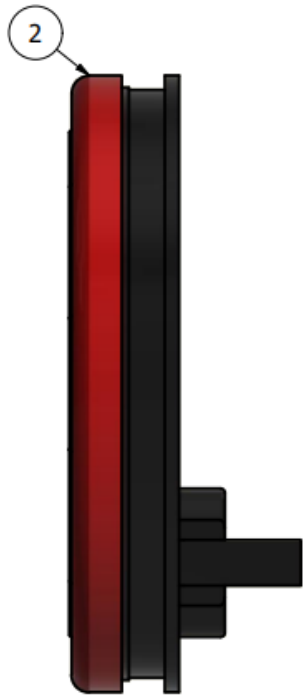
800N332



PARTS LIST			
ITEM	QTY	PART NUMBER	DESCRIPTION
1	1	8000575	TAIL LIGHT, 4" LED
2	3	6300119	RIVET, POP - AD6-8 ABS

TAILLIGHT ASSEMBLY

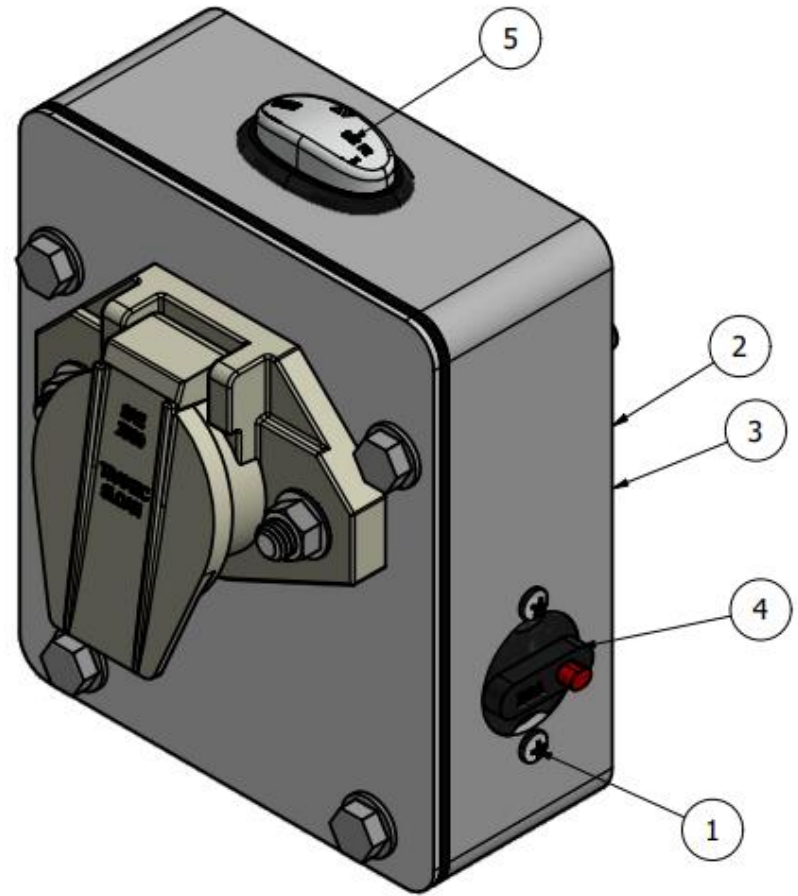
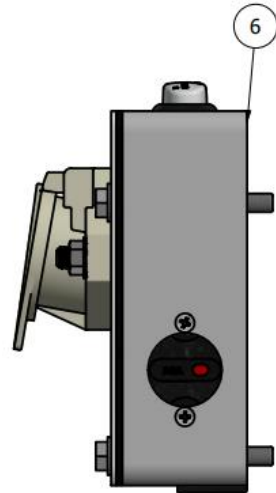
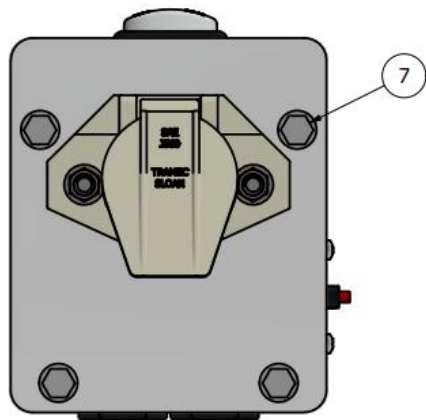
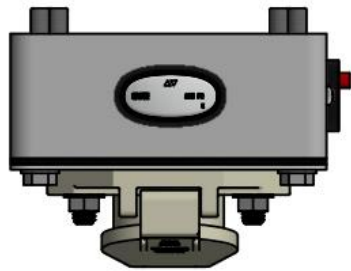
800N354



PARTS LIST			
ITEM	QTY	PART NUMBER	DESCRIPTION
1	1	8000906	GROMMET, TAIL LIGHT MOUNT
2	1	8001030	TAIL LIGHT, 4" LED, GROMMET MOUNT

7 WAY LIFTGATE ASSEMBLY

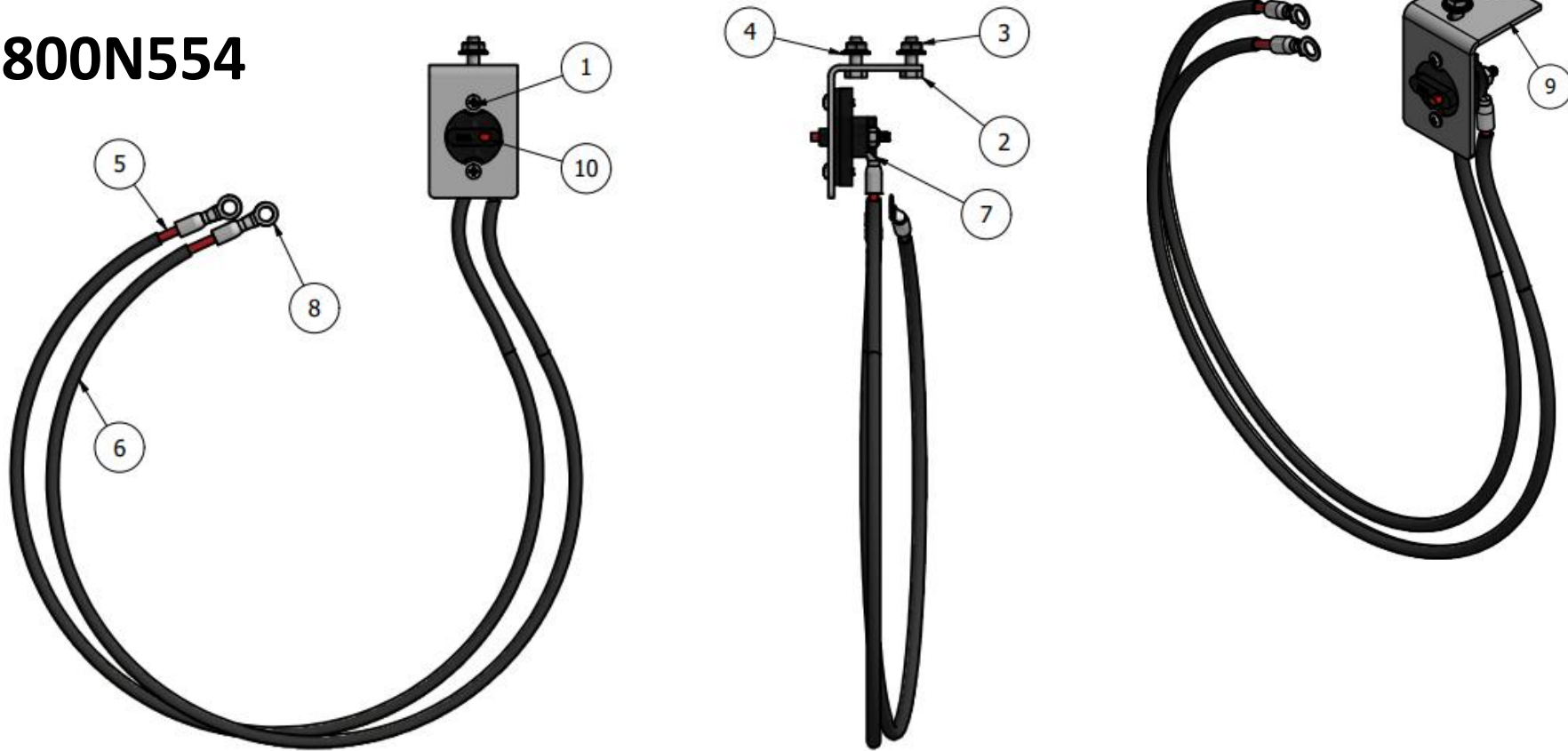
800N552



PARTS LIST			
ITEM	QTY	PART NUMBER	DESCRIPTION
	1	800N552	7 WAY LIFTGATE ASSEMBLY
1	2	6000003	MACHINE SCREW 8-32 x 3/4" STAINLESS
2	.75 FT	8000988	WIRE, WHITE 8 AWG
3	2	8001025	ELECTRICAL, CONNECTOR 8AWG RING #10
4	1	8003100	BREAKER, 30 AMP MANUAL RESET
5	1	8003104	INDICATOR LIGHT, BICOLOR
6	1	8000943	7 WAY SMAT BOX
7	4	6000298	BOLT, 5/16-18 x 2 1/2" TAPLITE SELF DRILL

CIRCUIT BREAKER ASSEMBLY LIFTGATE

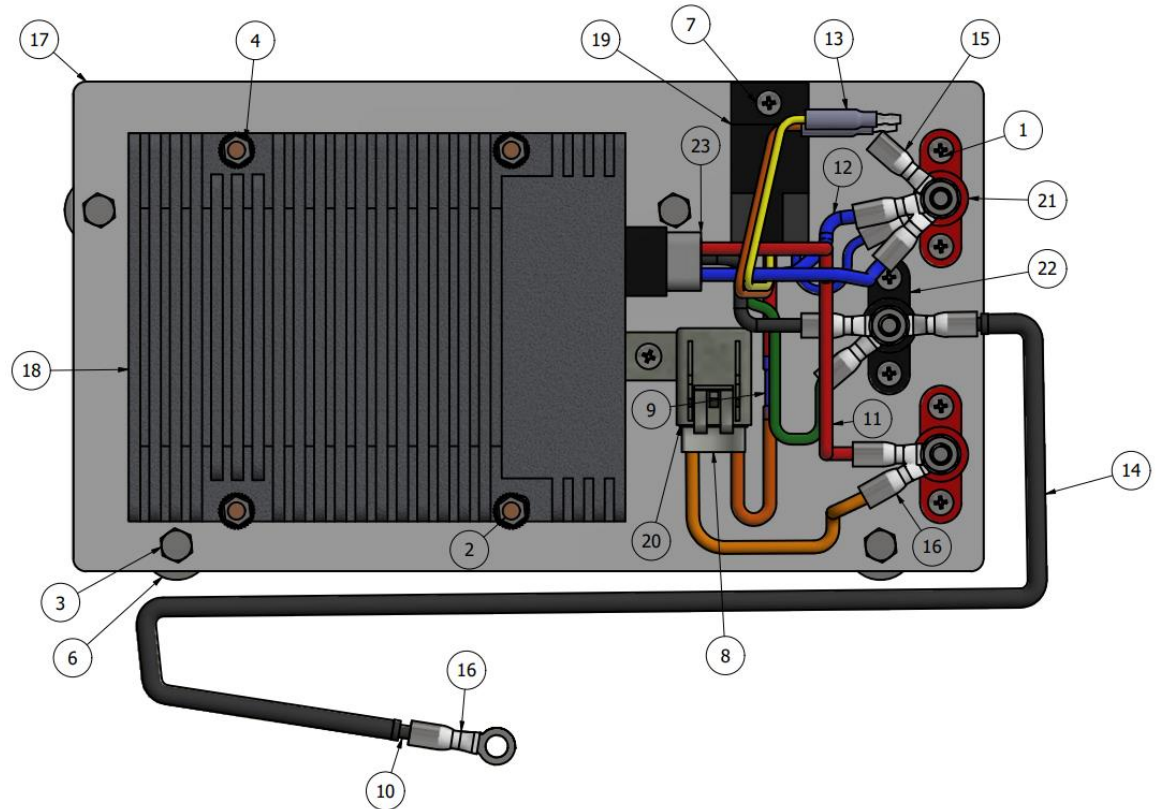
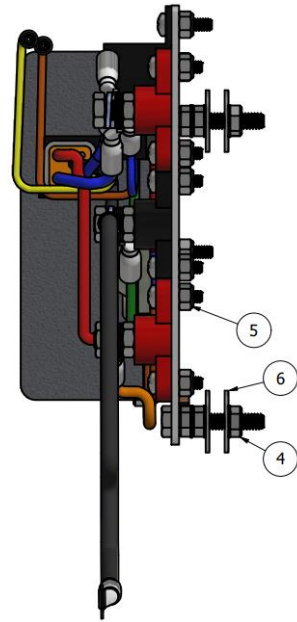
800N554



PARTS LIST			
ITEM	QTY	PART NUMBER	DESCRIPTION
	1	800N554	CIRCUIT BREAKER ASSEMBLY LIFTGATE
1	2	600003	MACHINE SCREW 8-32 x3/4" STAINLESS
2	2	6000275	BOLT, 1/4-20 x 3/4" GRADE 8
3	2	6100256	NUT, 1/4-20 KEP STAINLESS
4	2	6200251	WASHER 1/4" FLAT STAINLESS
5	5 FT	8000985	WIRE, RED 10 AWG
6	5	8000996	SPLIT LOOM 1/4"
7	2	8001023	ELECTRICAL, CONNECTOR 10/12 #10 RING
8	2	8001024	ELECTRICAL, CONNECTOR 10/12 5/16" RING
9	1	8003001	BRACKET, CIRCUIT BREAKER
10	1	8003100	BREAKER, 30 AMP MANUAL RESET

CHARGER ASSEMBLY LIFTGATE

800N558



PARTS LIST				
ITEM	QTY	PART NUMBER	DESCRIPTION	
1	8	600002	MACHINE SCREW 10-24 x 3/4" STAINLESS	
2	4	6000254	BOLT 1/4"-20 x 1" GRADE 8	
3	4	6000286	BOLT 1/4"-20 x 1 1/2" STAINLESS	
4	16	6100256	NUT 1/4-20 KEP STAINLESS	
5	16	6100401	NUT, 10-24 NYLON STAINLESS	
6	8	6200242	WASHER, FENDER 1/4" STAINLESS	
7	2	6200256	WASHER, 3/16" FLAT STAINLESS	
8	1	8000199	FUSE, 5 AMP	
9	1	8000968	ELECTRICAL, BUTT CONNECTOR 14GA	
10	3.25FT	8000984	WIRE, 10AWG BLACK PRIMARY	
11	1FT	8000985	WIRE, 10AWG RED PRIMARY	
12	.75FT	8000987	WIRE, 10AWG BLUE PRIMART	
13	2	8000989	ELECTRICAL, CONNECTOR-MALE BULLET	
14	2FT	8000996	SPLIT LOOM 1/4"	
15	1	8001021	ELECTRICAL, CONNECTOR RING 8AWG	
16	9	8001024	ELECTRICAL, CONNECTOR RING 10/12 AWG	
17	1	8003000	BRACKET, CHARGER	
18	1	8003101	CHARGER, DC/DC	
19	1	8003102	RELAY ASSEMBLY	
20	1	8003103	FUSE HOLDER	
21	2	8003105	JUNCTION BLOCK RED, 5/15" STUD	
22	1	8003106	JUNCTION BLOCK BLACK, 5/15" STUD	
23	1	8003107	4 PIN CONNECTOR KIT FOR LIFTGATE CHARGER	

XPOLogistics

AIR BRAKE ASSEMBLIES

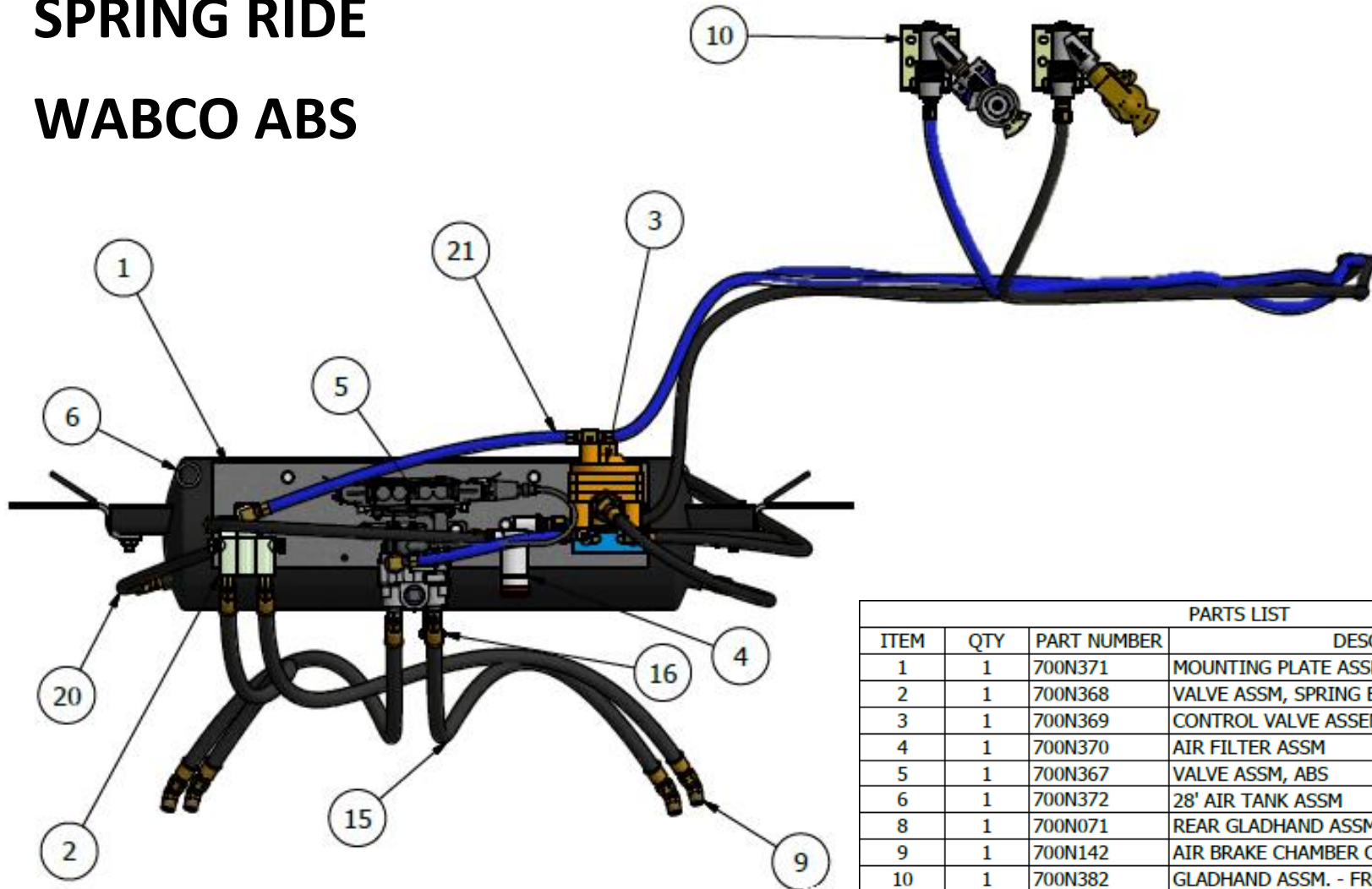
FOR

LTL XPO TRAILERS

AIR BRAKE ASSEMBLY, LTL 28'

SPRING RIDE

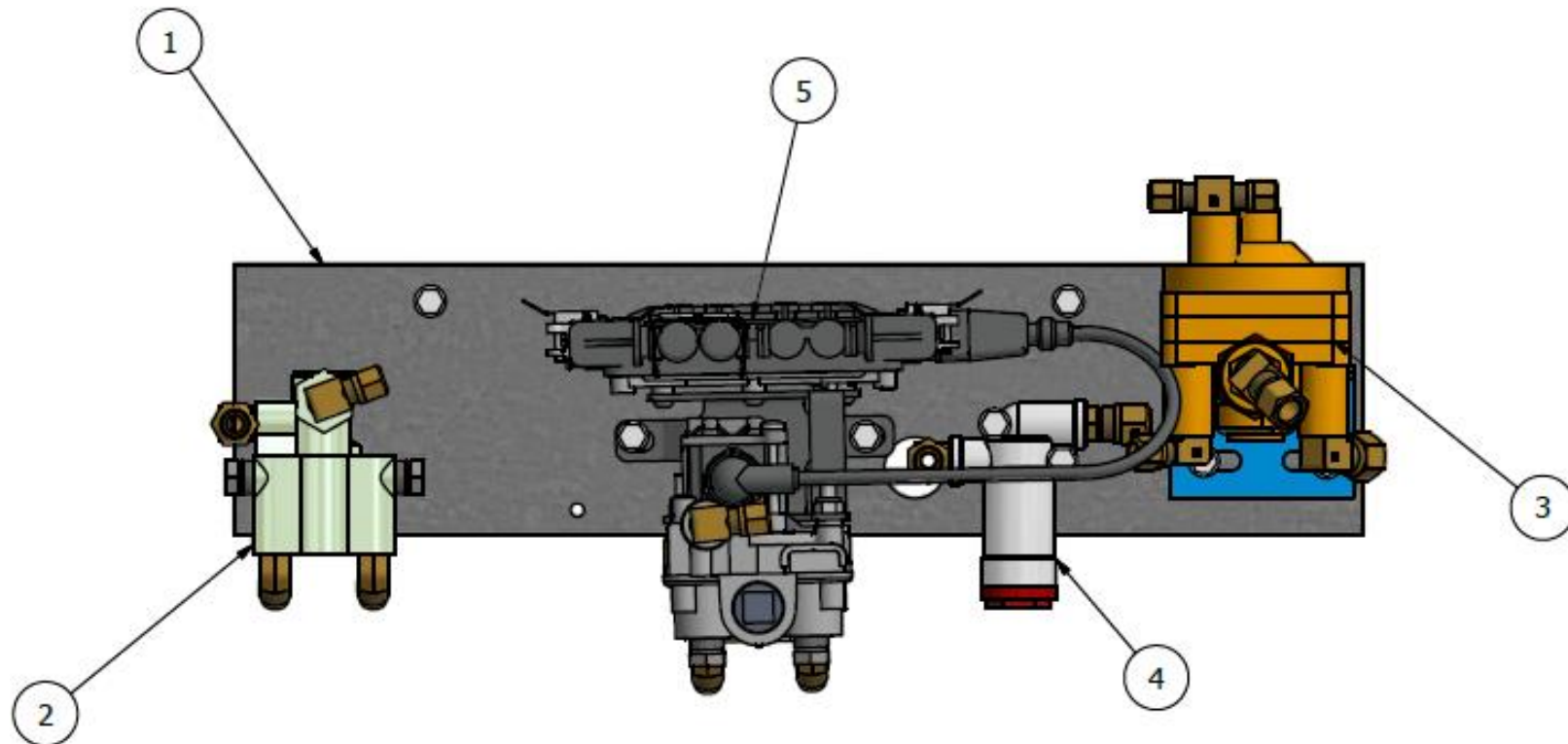
WABCO ABS



PARTS LIST			
ITEM	QTY	PART NUMBER	DESCRIPTION
1	1	700N371	MOUNTING PLATE ASSM, AIR BRAKE VAVLE
2	1	700N368	VALVE ASSM, SPRING BRAKE
3	1	700N369	CONTROL VALVE ASSEMBLY
4	1	700N370	AIR FILTER ASSM
5	1	700N367	VALVE ASSM, ABS
6	1	700N372	28' AIR TANK ASSM
8	1	700N071	REAR GLADHAND ASSM
9	1	700N142	AIR BRAKE CHAMBER CONNECTOR ASSM
10	1	700N382	GLADHAND ASSM. - FRONT
15	1	700N381	AIR BRAKE HOSE ASSEMBLY - RUBBER LTL28 2017
16	1	700N016	AIR DRAIN VALVE ASSM, 60" CABLE
20	1	7000968	TUBE, NYLON-1/2" O.D. BLACK
21	1	7000971	TUBE, NYLON-3/8" O.D. BLUE

AIR BRAKE ASSEMBLY, LTL 28'

SPRING RIDE, WABCO ABS

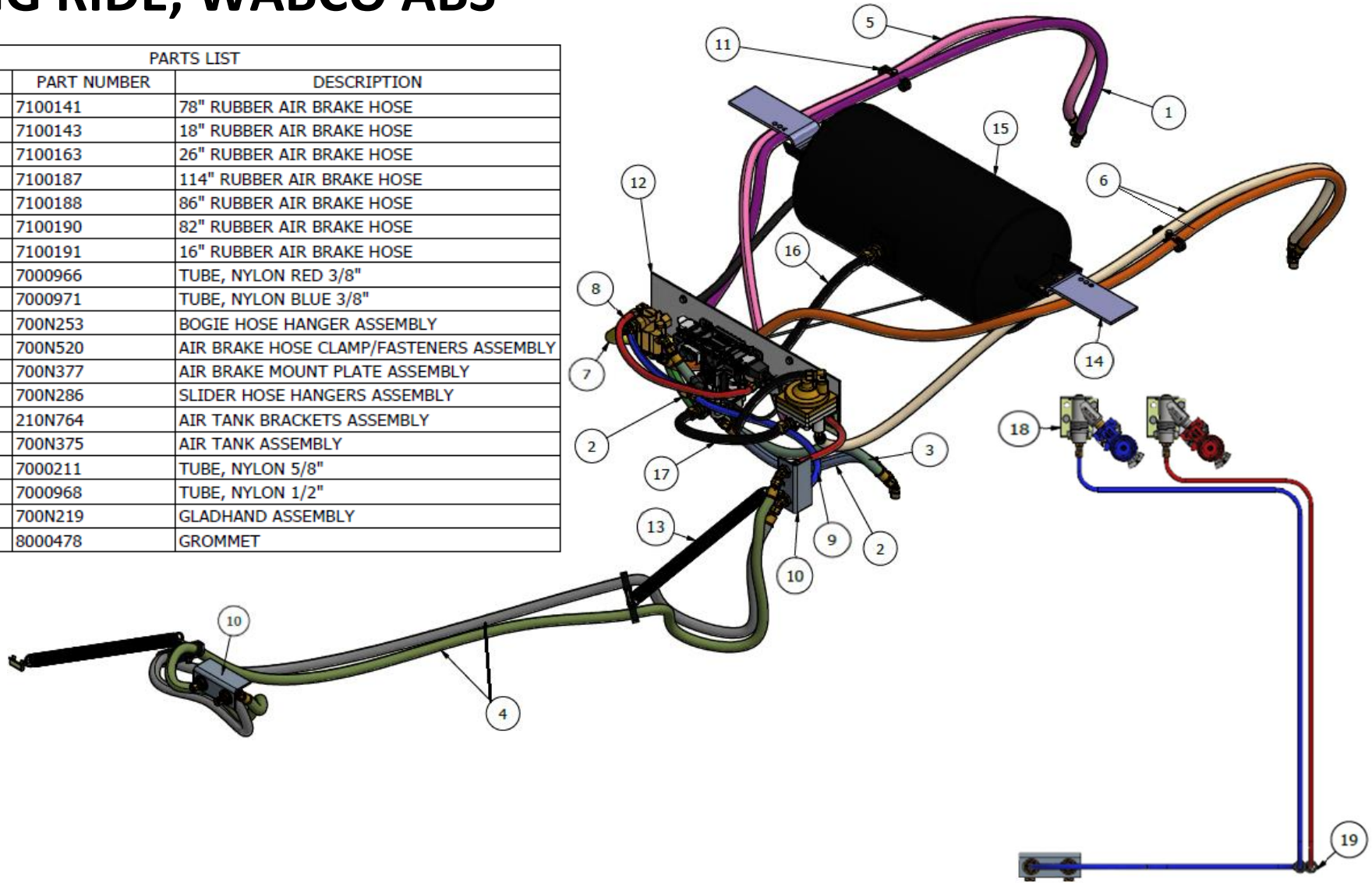


PARTS LIST			
ITEM	QTY	PART NUMBER	DESCRIPTION
1	1	700N371	MOUNTING PLATE ASSM, AIR BRAKE VAVLE
2	1	700N368	VALVE ASSM, SPRING BRAKE
3	1	700N369	CONTROL VALVE ASSEMBLY
4	1	700N370	AIR FILTER ASSM
5	1	700N367	VALVE ASSM, ABS

AIR BRAKE ASSEMBLY, LTL 48'

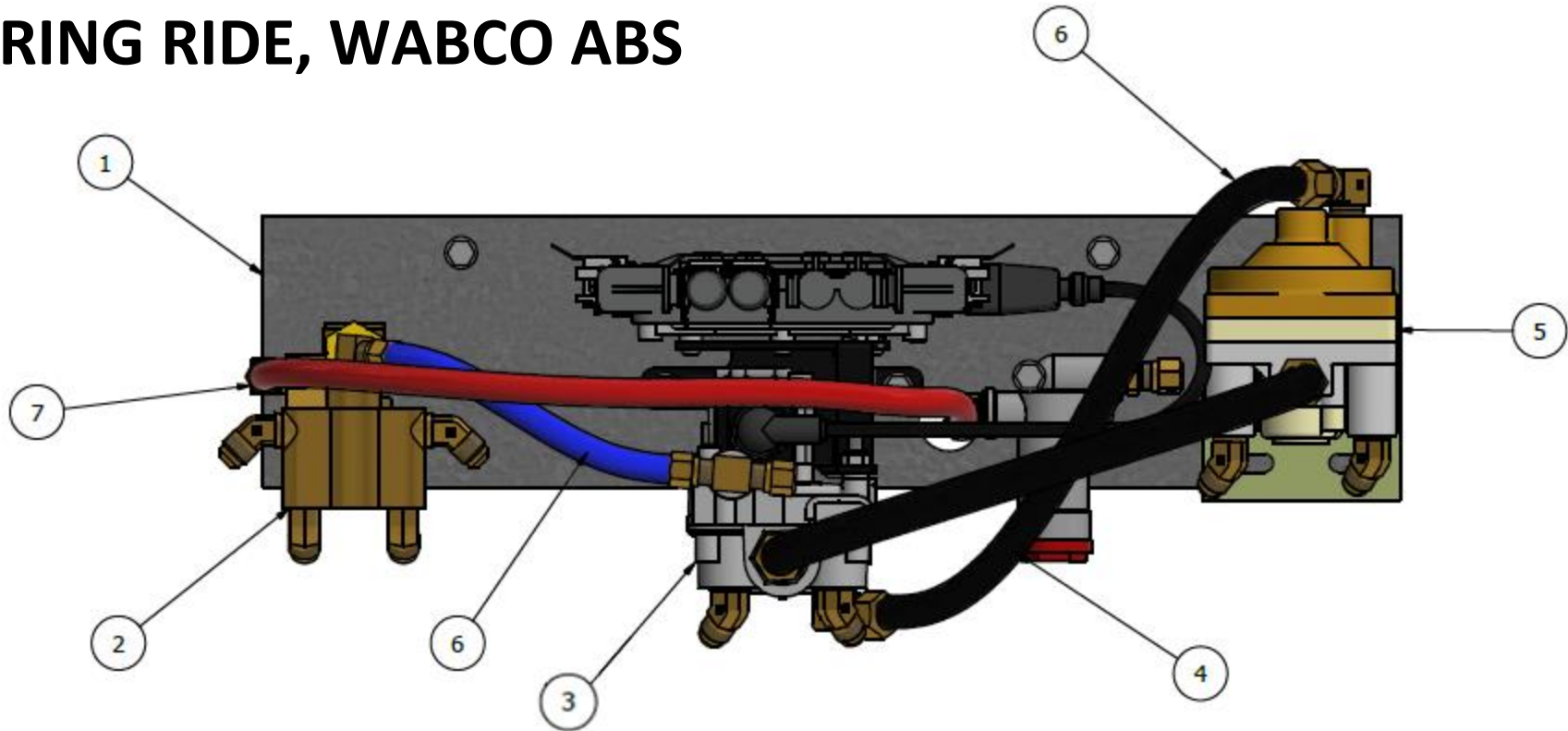
SPRING RIDE, WABCO ABS

PARTS LIST			
ITEM	QTY	PART NUMBER	DESCRIPTION
1	1	7100141	78" RUBBER AIR BRAKE HOSE
2	2	7100143	18" RUBBER AIR BRAKE HOSE
3	1	7100163	26" RUBBER AIR BRAKE HOSE
4	2	7100187	114" RUBBER AIR BRAKE HOSE
5	1	7100188	86" RUBBER AIR BRAKE HOSE
6	2	7100190	82" RUBBER AIR BRAKE HOSE
7	1	7100191	16" RUBBER AIR BRAKE HOSE
8	1	7000966	TUBE, NYLON RED 3/8"
9	1	7000971	TUBE, NYLON BLUE 3/8"
10	2	700N253	BOGIE HOSE HANGER ASSEMBLY
11	1	700N520	AIR BRAKE HOSE CLAMP/FASTENERS ASSEMBLY
12	1	700N377	AIR BRAKE MOUNT PLATE ASSEMBLY
13	1	700N286	SLIDER HOSE HANGERS ASSEMBLY
14	1	210N764	AIR TANK BRACKETS ASSEMBLY
15	1	700N375	AIR TANK ASSEMBLY
16	1	7000211	TUBE, NYLON 5/8"
17	1	7000968	TUBE, NYLON 1/2"
18	1	700N219	GLADHAND ASSEMBLY
19	1	8000478	GROMMET



AIR BRAKE ASSEMBLY, LTL 48'

SPRING RIDE, WABCO ABS

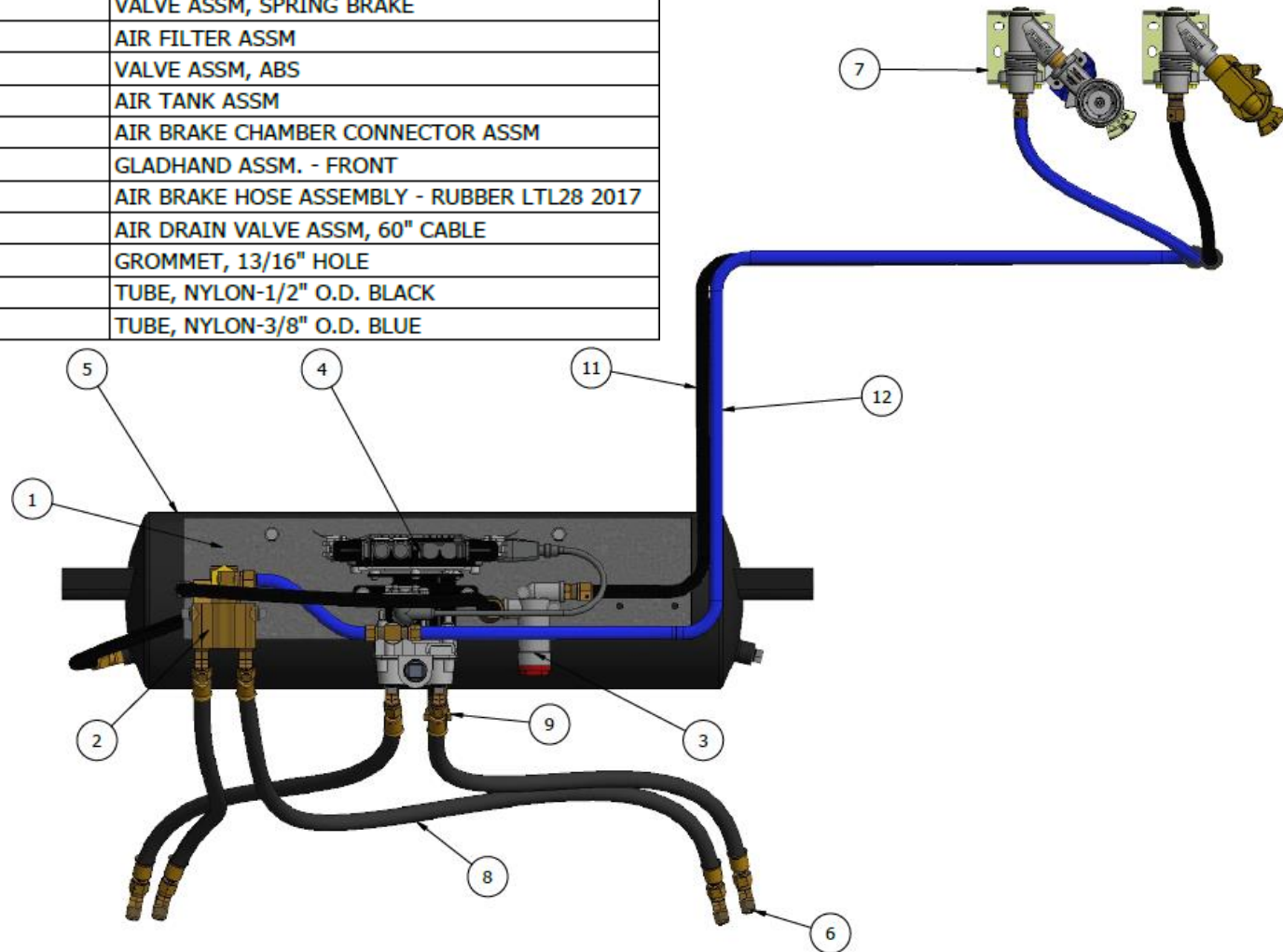


PARTS LIST			
ITEM	QTY	PART NUMBER	DESCRIPTION
1	1	700N377	AIR BRAKE MOUNTING PLATE
2	1	700N376	SPRING BRAKE VALVE ASSEMBLY
3	1	700N379	ABS VALVE ASSEMBLY
4	1	700N378	AIR FILTER ASSEMBLY
5	1	700N380	RELAY VALVE ASSEMBLY
6	1	7000211	TUBING, 5/8" NYLON
7	1	7000966	TUBING, 3/8" RED NYLON
8	1	7000971	TUBING, 3/8" BLUE NYLON

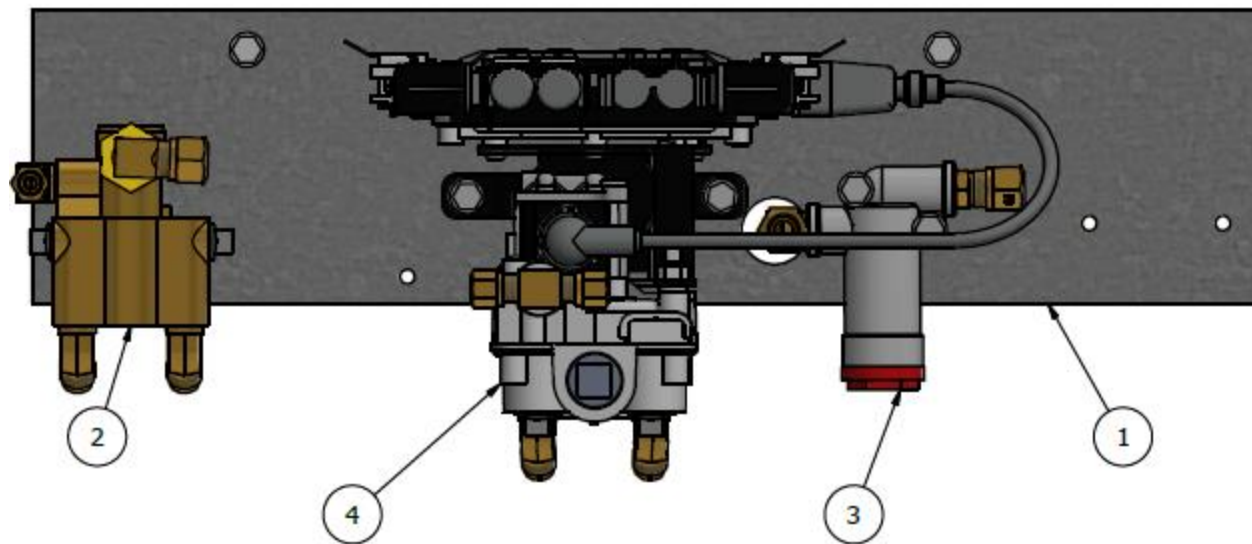
AIR BRAKE ASSEMBLY, LTL 28' LIFTGATE

SPRING RIDE, WABCO ABS

PARTS LIST			
ITEM	QTY	PART NUMBER	DESCRIPTION
1	1	700N371	MOUNTING PLATE ASSM, AIR BRAKE VAVLE
2	1	700N368	VALVE ASSM, SPRING BRAKE
3	1	700N351	AIR FILTER ASSM
4	1	700N386	VALVE ASSM, ABS
5	1	700N385	AIR TANK ASSM
6	1	700N142	AIR BRAKE CHAMBER CONNECTOR ASSM
7	1	700N382	GLADHAND ASSM. - FRONT
8	1	700N381	AIR BRAKE HOSE ASSEMBLY - RUBBER LTL28 2017
9	1	700N016	AIR DRAIN VALVE ASSM, 60" CABLE
10	10	8000478	GROMMET, 13/16" HOLE
11	1	7000968	TUBE, NYLON-1/2" O.D. BLACK
12	1	7000971	TUBE, NYLON-3/8" O.D. BLUE



AIR BRAKE ASSEMBLY, LTL 28' LIFTGATE SPRING RIDE, WABCO ABS

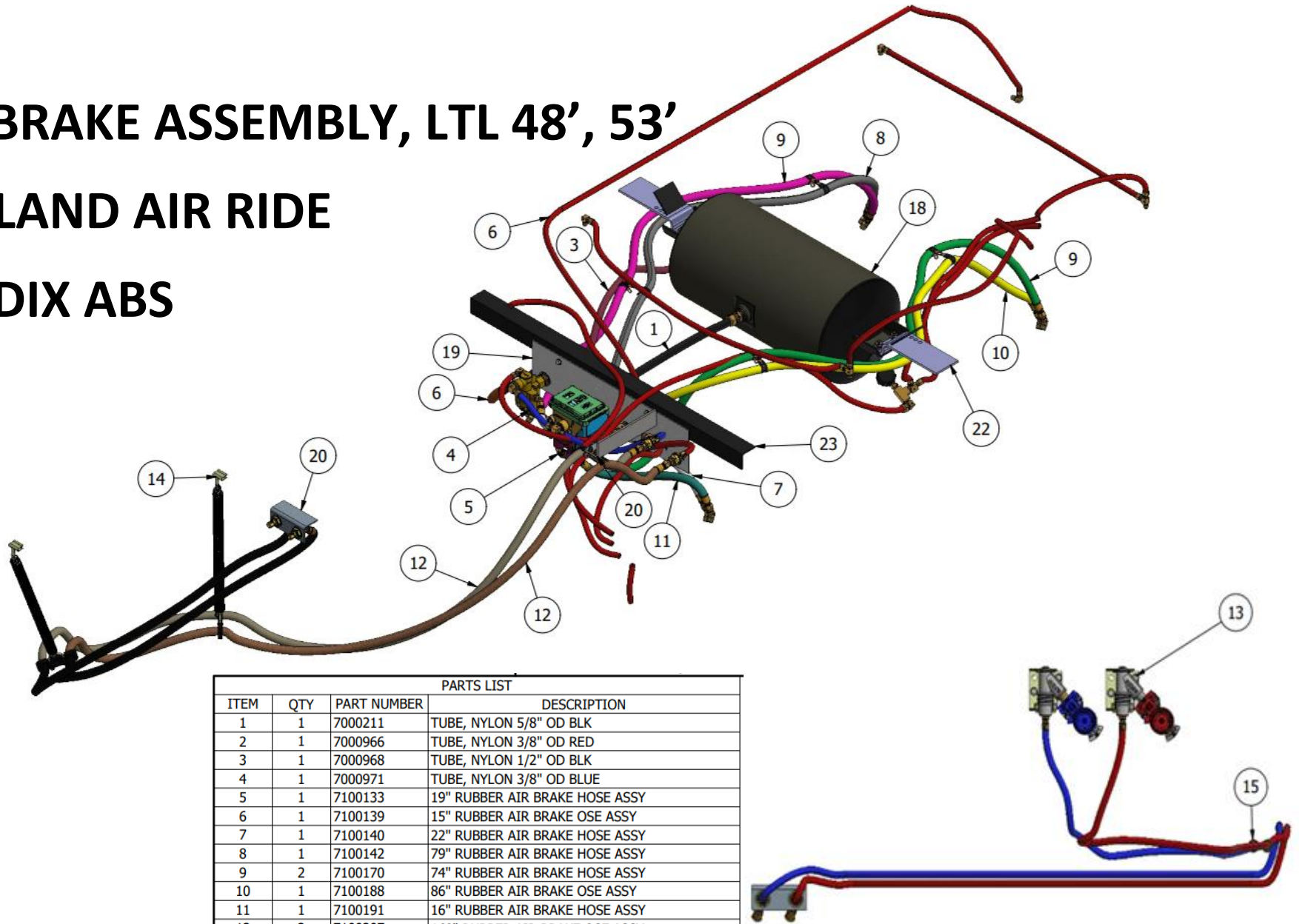


PARTS LIST			
ITEM	QTY	PART NUMBER	DESCRIPTION
1	1	700N371	MOUNTING PLATE ASSM, AIR BRAKE VAVLE
2	1	700N368	SPRING BRAKE VALVE ASSEMBLY
3	1	700N351	AIR FILTER ASSM
4	1	700N386	ABS VALVE ASSEMBLY

AIR BRAKE ASSEMBLY, LTL 48', 53'

HOLLAND AIR RIDE

BENDIX ABS

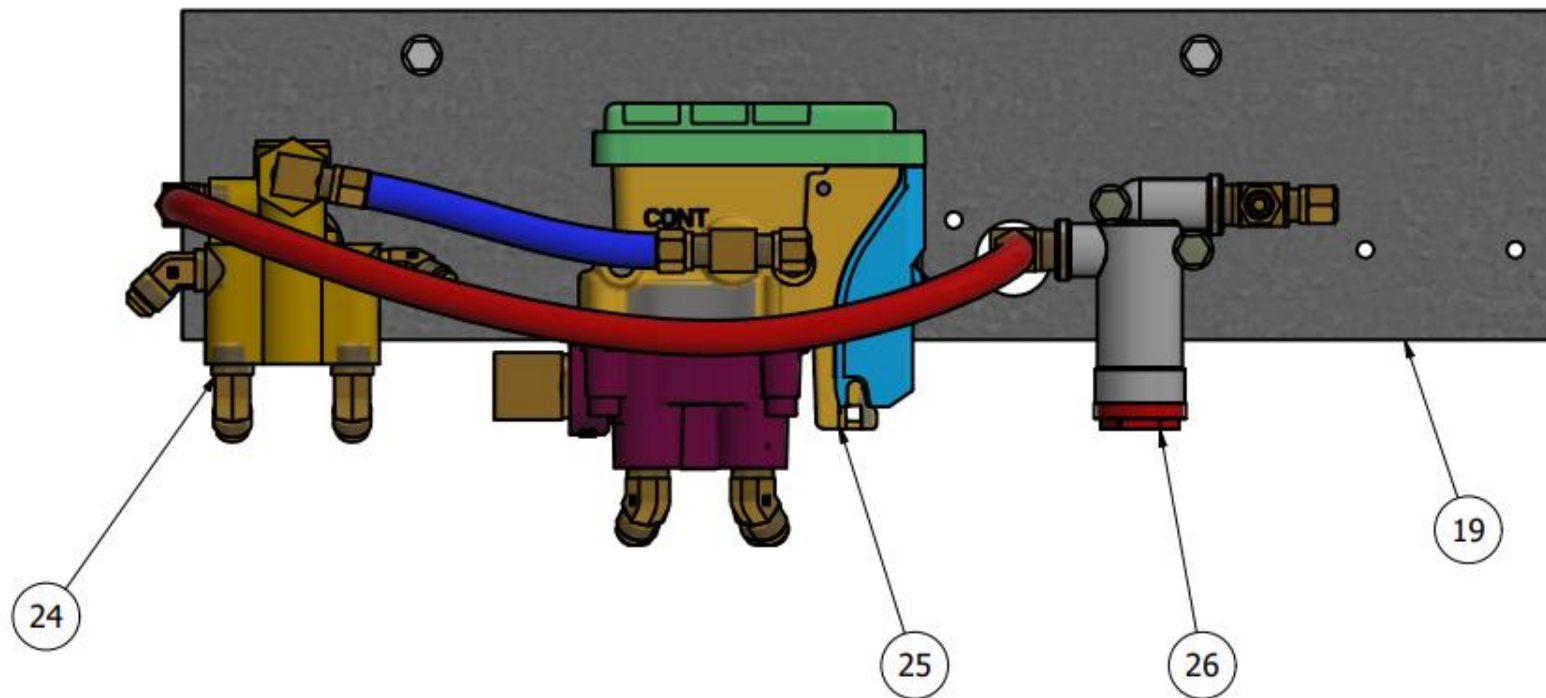


PARTS LIST			
ITEM	QTY	PART NUMBER	DESCRIPTION
1	1	7000211	TUBE, NYLON 5/8" OD BLK
2	1	7000966	TUBE, NYLON 3/8" OD RED
3	1	7000968	TUBE, NYLON 1/2" OD BLK
4	1	7000971	TUBE, NYLON 3/8" OD BLUE
5	1	7100133	19" RUBBER AIR BRAKE HOSE ASSY
6	1	7100139	15" RUBBER AIR BRAKE HOSE ASSY
7	1	7100140	22" RUBBER AIR BRAKE HOSE ASSY
8	1	7100142	79" RUBBER AIR BRAKE HOSE ASSY
9	2	7100170	74" RUBBER AIR BRAKE HOSE ASSY
10	1	7100188	86" RUBBER AIR BRAKE HOSE ASSY
11	1	7100191	16" RUBBER AIR BRAKE HOSE ASSY
12	2	7100207	168" RUBBER AIR BRAKE HOSE ASSY
13	1	700N219	GLADHAND ASSM. - FRONT
14	2	210N071	SUPPORT SPRING ASSY
15	8	8000478	GROMMET, 13/16" HOLE
16	1	700N396	SLIDER HOSE BOGIE CONNECTOR ASSY
17	1	700N395	ANTI-DOCK WALK ASSY
18	1	700N394	AIR TANK ASSY
19	1	700N377	AIR BRAKE VALVE MOUNTING PLATE
20	1	700N253	BOGIE HOSE HANGER ASSY
21	1	2104555	ANGLE, AIR PLATE MOUNTING
22	1	210N764	AIR TANK BRACKETS ASSY
23	1	2104555	ANGLE, AIR PLATE MOUNTING

AIR BRAKE ASSEMBLY, LTL 48', 53'

HOLLAND AIR RIDE

BENDIX ABS

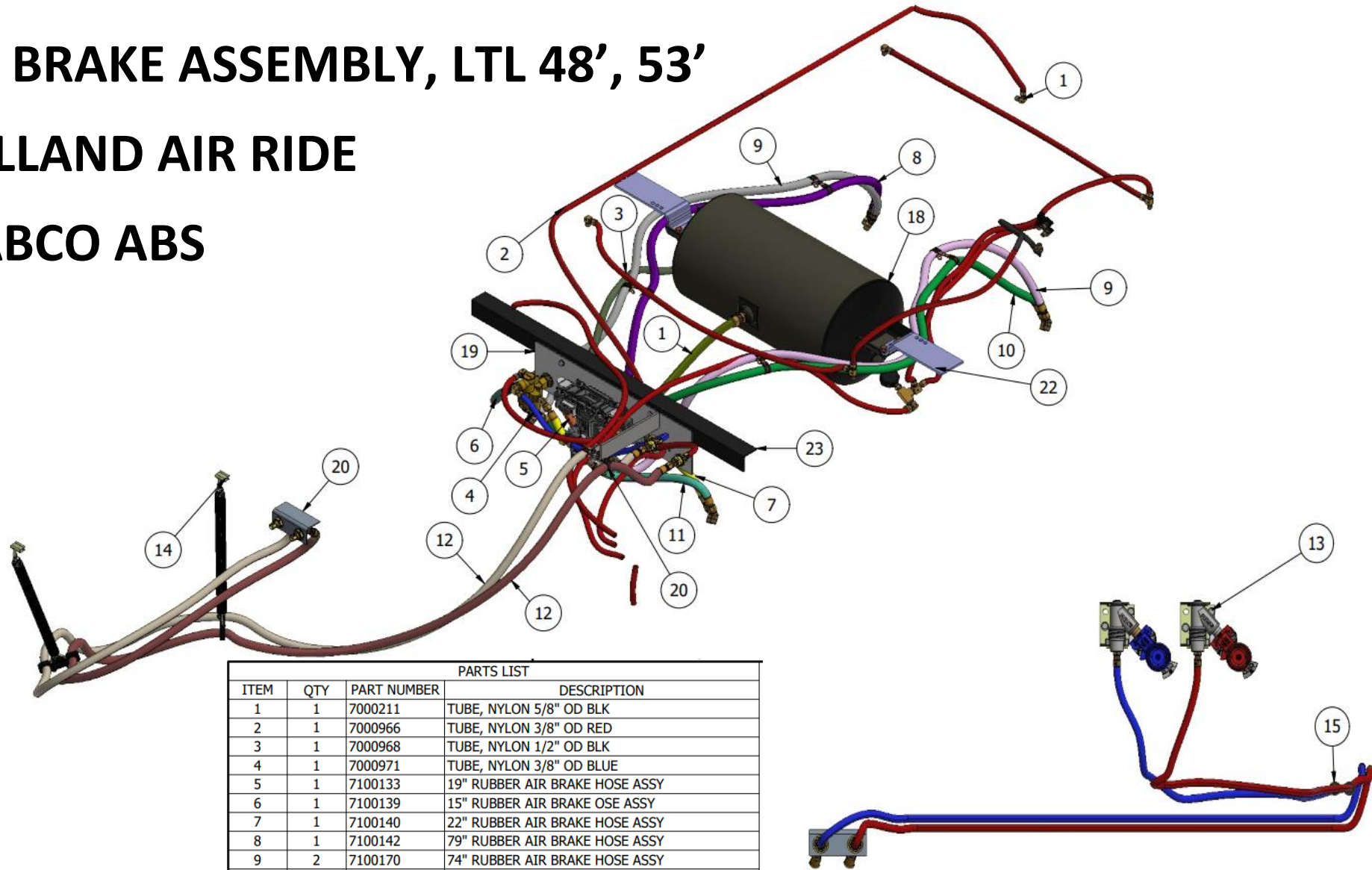


PARTS LIST			
ITEM	QTY	PART NUMBER	DESCRIPTION
19	1	700N377	AIT BRAKE VALVE MOUNTING PLATE
24	1	700N283	SPRING BRAKE VALVE ASSY
25	1	700N392	ABS VALVE ASSY
26	1	700N393	AIR FILTER ASSEMBLY

AIR BRAKE ASSEMBLY, LTL 48', 53'

HOLLAND AIR RIDE

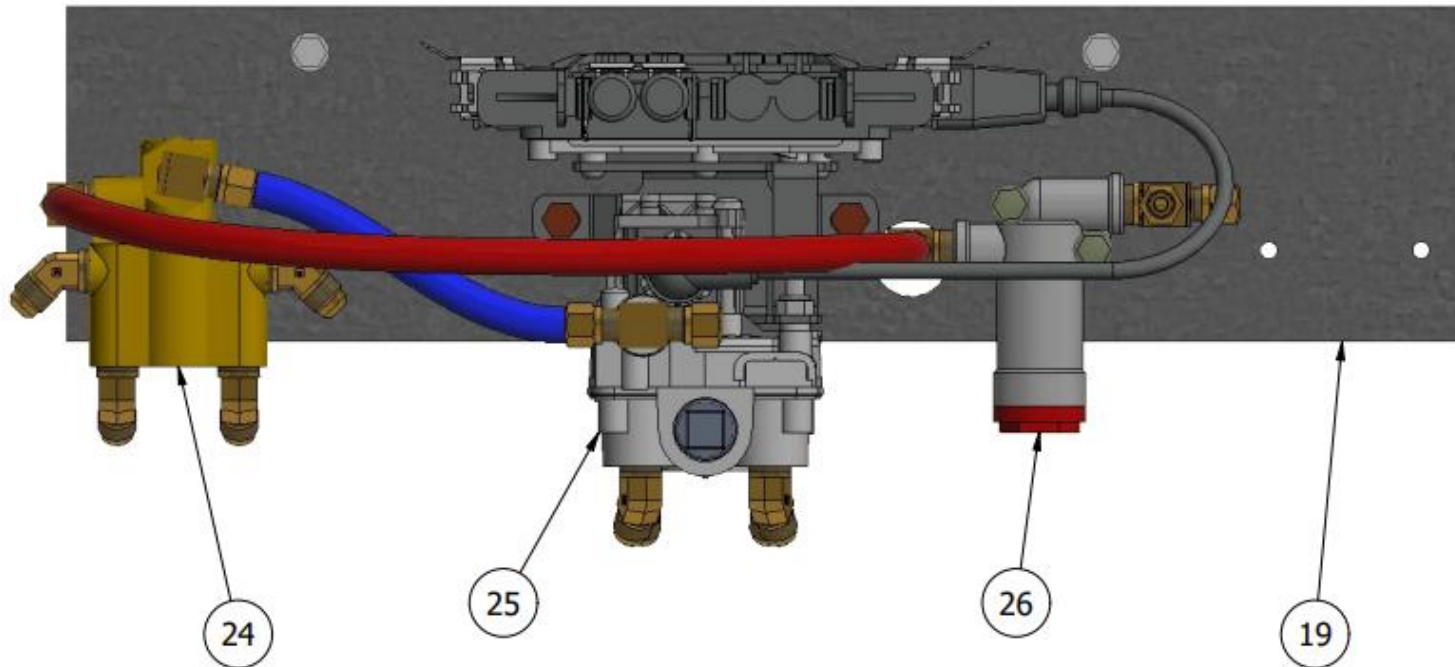
WABCO ABS



PARTS LIST			
ITEM	QTY	PART NUMBER	DESCRIPTION
1	1	7000211	TUBE, NYLON 5/8" OD BLK
2	1	7000966	TUBE, NYLON 3/8" OD RED
3	1	7000968	TUBE, NYLON 1/2" OD BLK
4	1	7000971	TUBE, NYLON 3/8" OD BLUE
5	1	7100133	19" RUBBER AIR BRAKE HOSE ASSY
6	1	7100139	15" RUBBER AIR BRAKE HOSE ASSY
7	1	7100140	22" RUBBER AIR BRAKE HOSE ASSY
8	1	7100142	79" RUBBER AIR BRAKE HOSE ASSY
9	2	7100170	74" RUBBER AIR BRAKE HOSE ASSY
10	1	7100188	86" RUBBER AIR BRAKE HOSE ASSY
11	1	7100191	16" RUBBER AIR BRAKE HOSE ASSY
12	2	7100207	168" RUBBER AIR BRAKE HOSE ASSY
13	1	700N219	GLADHAND ASSM. - FRONT
14	2	210N071	SUPPORT SPRING ASSY
15	8	8000478	GROMMET, 13/16" HOLE
16	1	700N396	SLIDER HOSE BOGIE CONNECTOR ASSY
17	1	700N395	ANTI-DOCK WALK ASSY
18	1	700N394	AIR TANK ASSY
19	1	700N377	AIR BRAKE VALVE MOUNTING PLATE
20	1	700N253	BOGIE HOSE HANGER ASSY
21	1	2104555	ANGLE, AIR PLATE MOUNTING
22	1	210N764	AIR TANK BRACKETS ASSY
23	1	2104555	ANGLE, AIR PLATE MOUNTING

AIR BRAKE ASSEMBLY, LTL 48', 53'

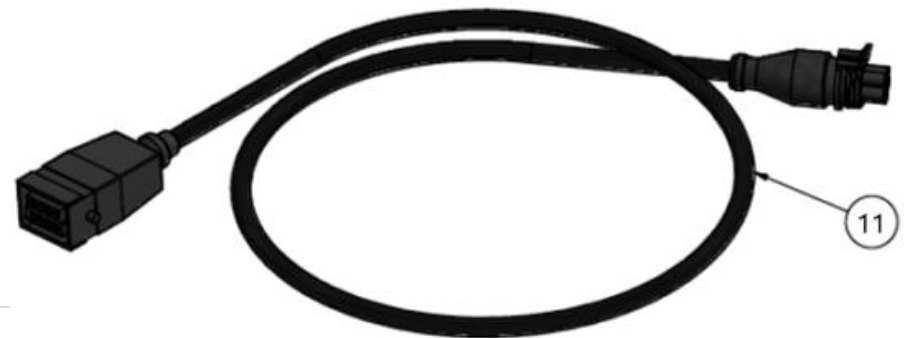
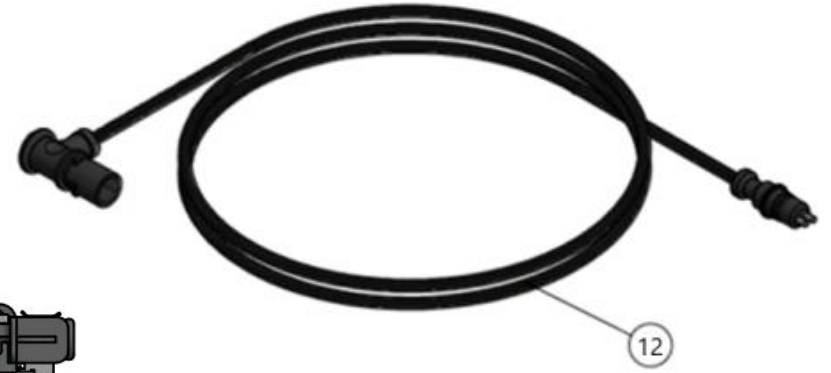
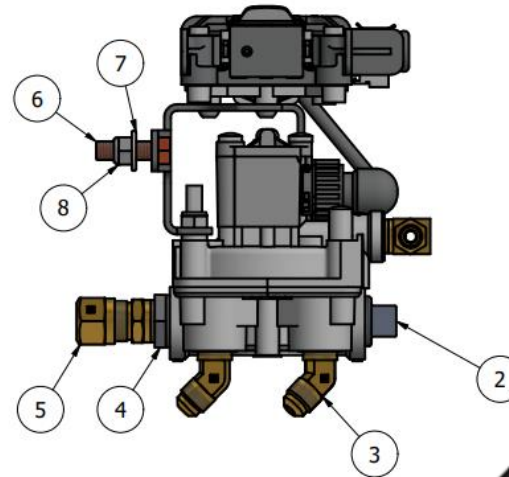
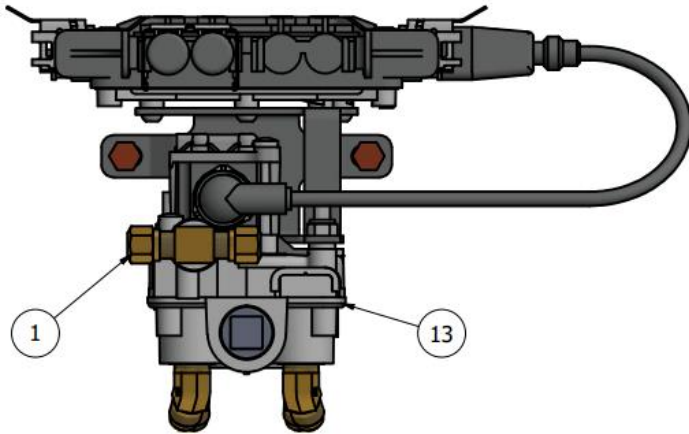
HOLLAND AIR RIDE, WABCO ABS



PARTS LIST			
ITEM	QTY	PART NUMBER	DESCRIPTION
19	1	700N377	AIT BRAKE VALVE MOUNTING PLATE
24	1	700N283	SPRING BRAKE VALVE ASSY
25	1	700N284	ABS VALVE ASSY
26	1	700N393	AIR FILTER ASSEMBLY

ABS VALVE ASSEMBLY, LTL48', 53'

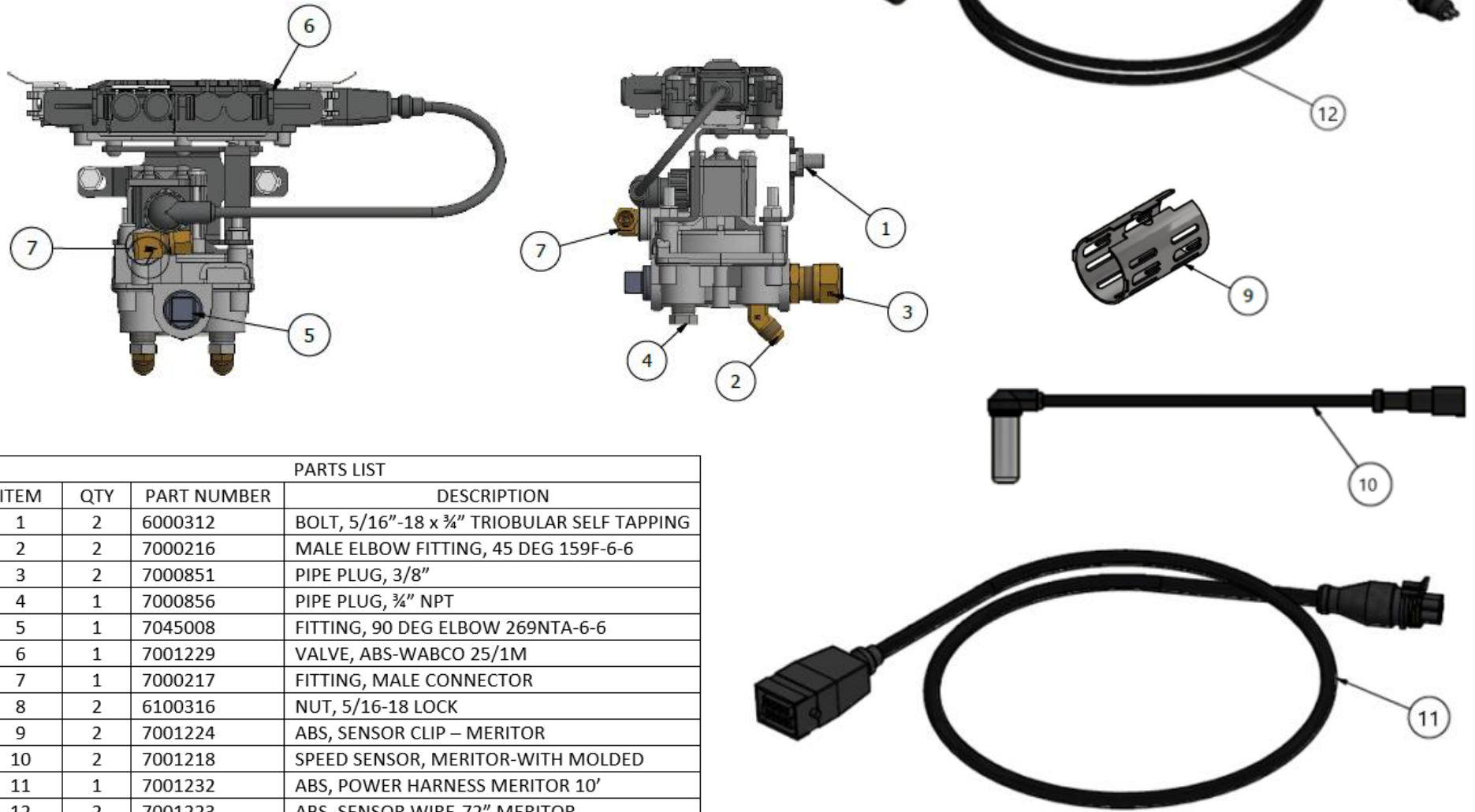
700N284



PARTS LIST			
ITEM	QTY	PART NUMBER	DESCRIPTION
1	1	7045014	FITTING, MALE BRANCH TEE 272NTA-6-6
2	1	7000856	PIPE PLUG, 3/4 NPT
3	4	7000216	FITTING, MALE ELBOW 45D S159-6-6
4	1	7000219	FITTING, BUSHING 3/4" NPT TO 1/2 NPT
5	1	7000218	FITTING, MALE 68NT
6	2	6000375	BOLT, 3/8-16 x 1 1/4" GRADE 8
7	2	6200378	WASHER, 3/8" FLAT SAE PLATED
8	2	6100377	NUT 3/8-16 NYLOK PLATED
9	2	7001224	ABS, SENSOR CLIP - MERITOR
10	2	7001218	SPEED SENSOR, MERITOR-WITH-MOLDED
11	1	7001230	ABS POWER HARNESS MERITOR 20"
12	2	7001223	ABS, SENSOR WIRE-72" MERITOR
13	1	7001229	VALVE, ABS- WABCO 2S/1M

ABS VALVE ASSEMBLY, LTL28'

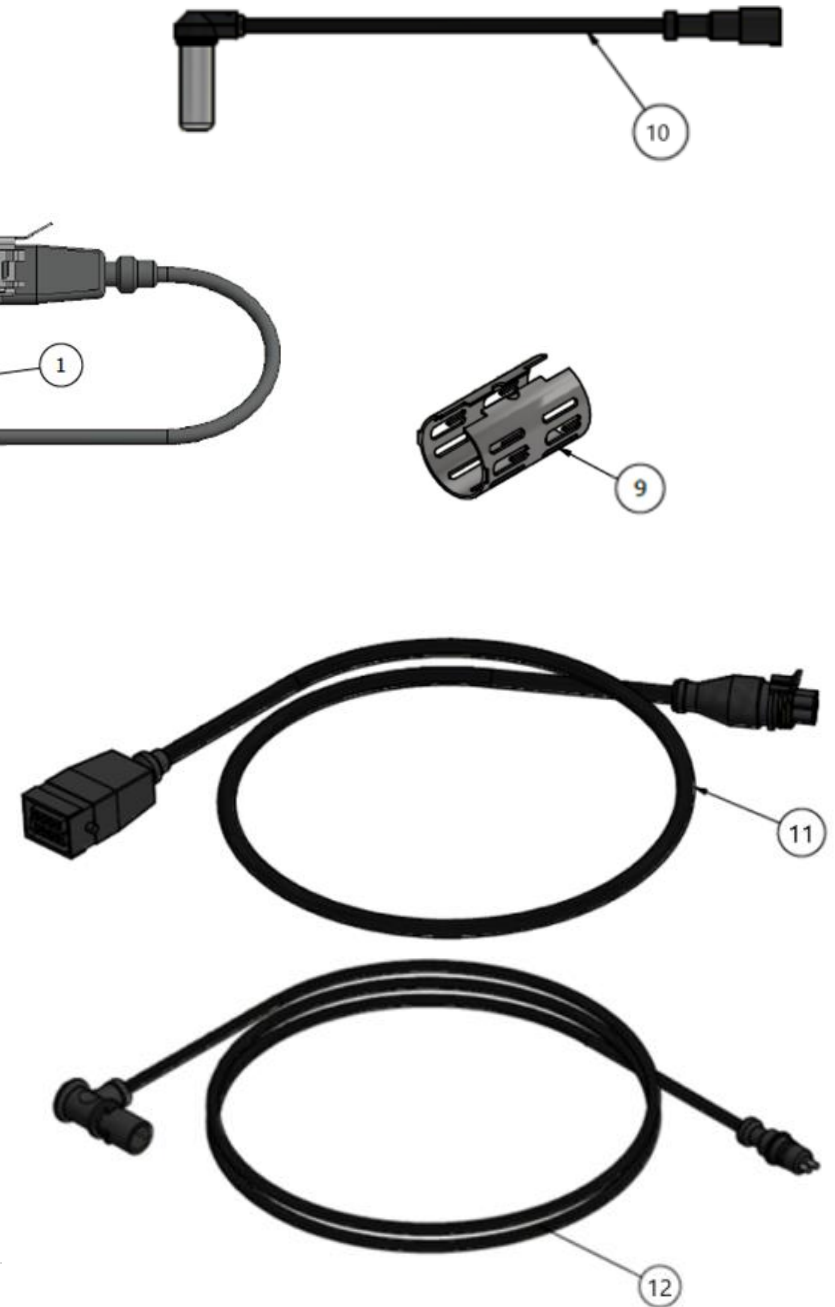
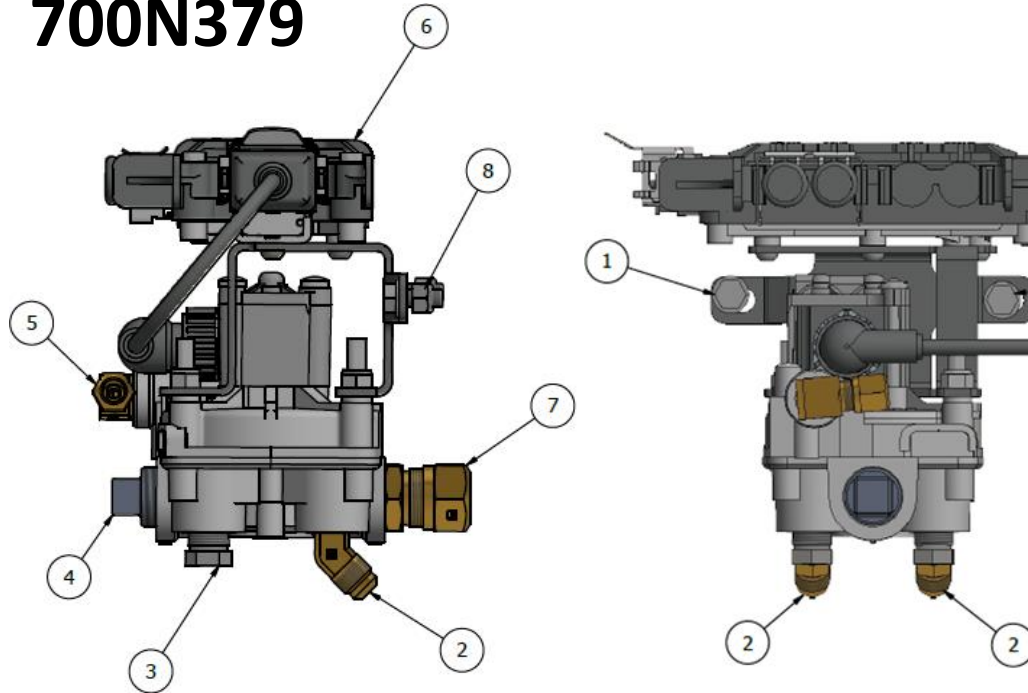
700N367



PARTS LIST			
ITEM	QTY	PART NUMBER	DESCRIPTION
1	2	6000312	BOLT, 5/16"-18 x 3/4" TRILOBULAR SELF TAPPING
2	2	7000216	MALE ELBOW FITTING, 45 DEG 159F-6-6
3	2	7000851	PIPE PLUG, 3/8"
4	1	7000856	PIPE PLUG, 3/4" NPT
5	1	7045008	FITTING, 90 DEG ELBOW 269NTA-6-6
6	1	7001229	VALVE, ABS-WABCO 25/1M
7	1	7000217	FITTING, MALE CONNECTOR
8	2	6100316	NUT, 5/16-18 LOCK
9	2	7001224	ABS, SENSOR CLIP - MERITOR
10	2	7001218	SPEED SENSOR, MERITOR-WITH MOLDED
11	1	7001232	ABS, POWER HARNESS MERITOR 10'
12	2	7001223	ABS, SENSOR WIRE-72" MERITOR

ABS VALVE ASSEMBLY, LTL SEMI

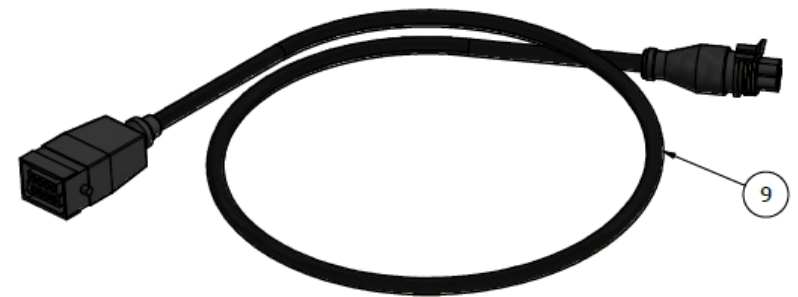
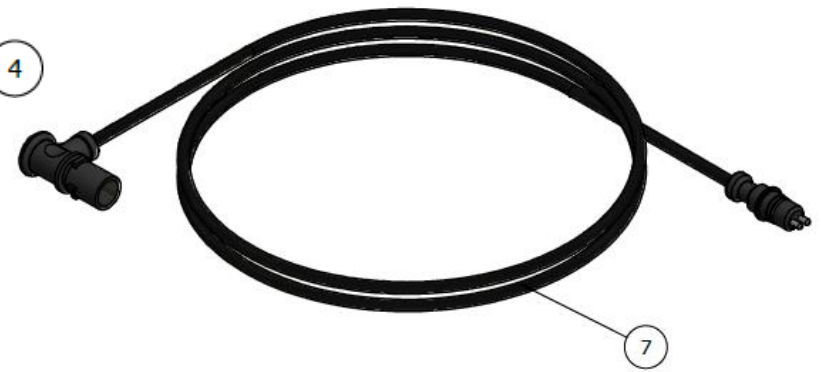
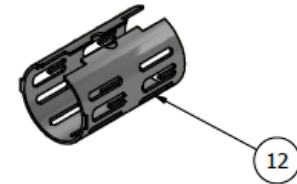
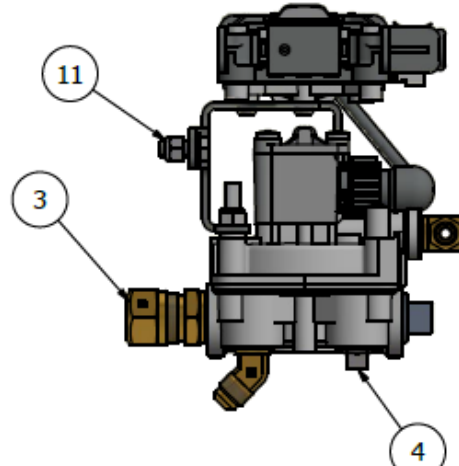
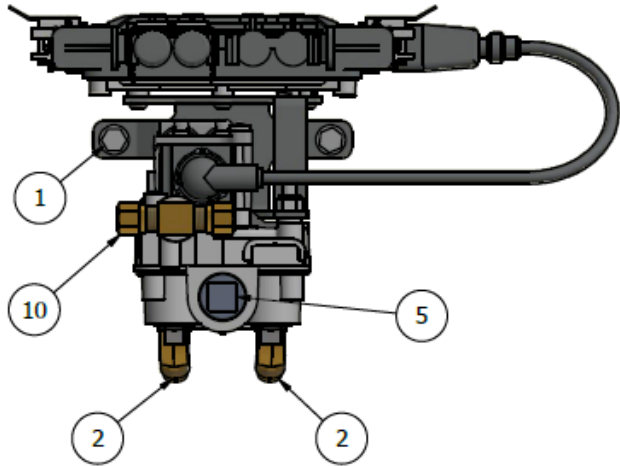
700N379



PARTS LIST			
ITEM	QTY	PART NUMBER	DESCRIPTION
1	2	6000312	BOLT, 5/16"-18 x 3/4" TRILOBULAR SELF TAPPING
2	2	7000216	MALE ELBOW FITTING, 45 DEG 159F-6-6
3	2	7000851	PIPE PLUG, 3/8"
4	1	7000856	PIPE PLUG, 3/4" NPT
5	1	7045009	FITTING, 90 DEG ELBOW 269NTA-6-6
6	1	7001229	VALVE, ABS- WABCO 25/1M
7	1	7000217	FITTING, MALE CONNECTOR
8	2	6100316	NUT, 5/16-18 LOCK
9	2	7001224	ABS, SENSOR CLIP - MERITOR
10	2	7001218	SPEED SENSOR, MERITOR - WITH MOLDED
11	1	7001230	ABS, POWER CABLE - MERITOR 20'
12	2	7001223	ABS, SENSOR WIRE- 72" MERITOR

ABS VALVE ASSEMBLY, LTL28' LIFTGATE

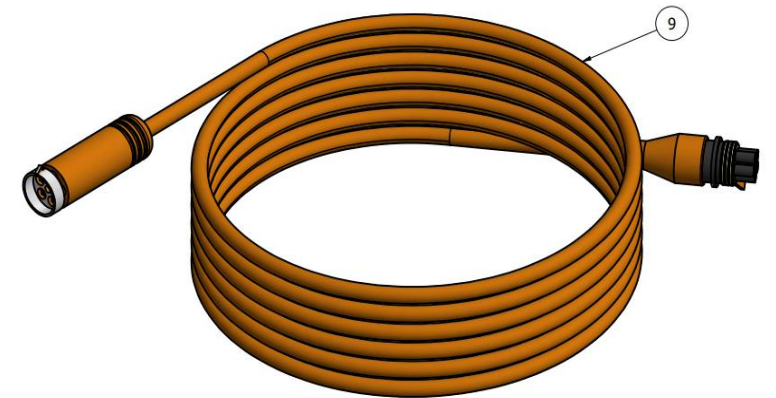
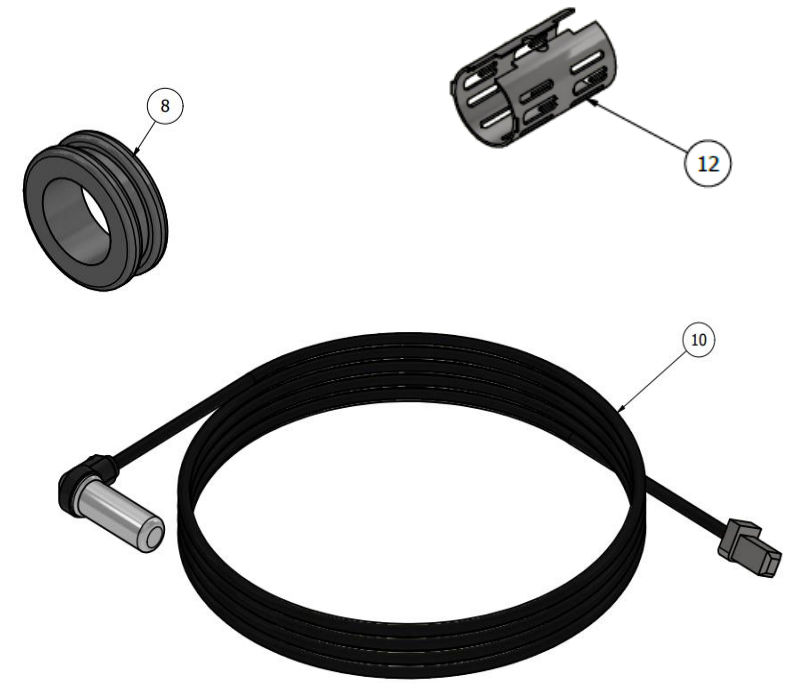
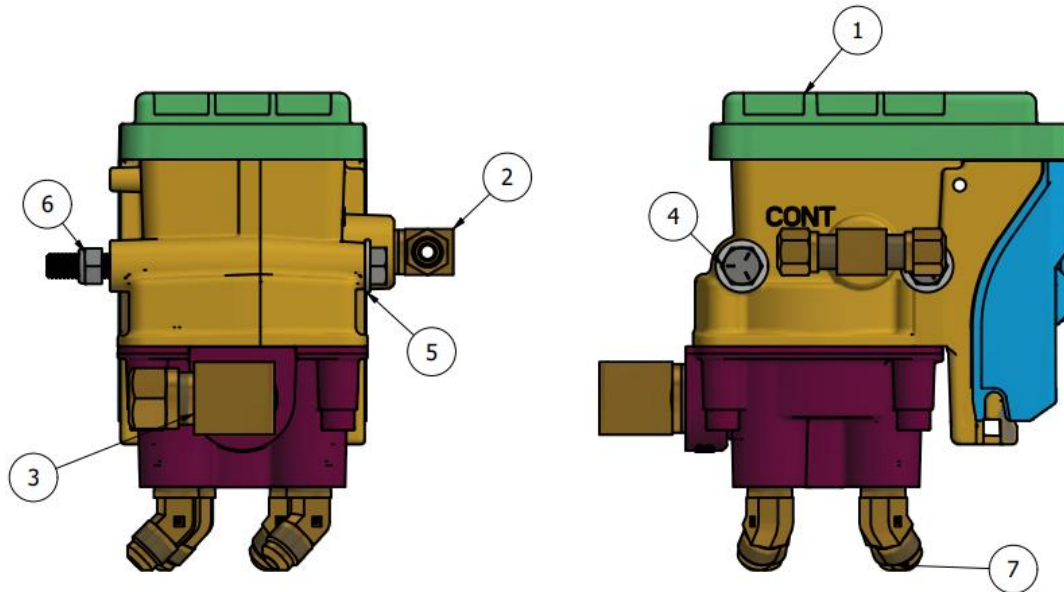
700N386



PARTS LIST			
ITEM	QTY	PART NUMBER	DESCRIPTION
	1	700N386	ABS VALVE ASSEMBLY
1	2	6000312	BOLT, 5/16" -18 x 3/4"
2	2	7000216	FITTING, MALE CONNECTOR
3	1	7000217	FITTING, MALE CONNECTOR
4	1	7000851	PIPE PLUG, 3/8"
5	1	7000856	PIPE PLUG, 3/4"
6	2	7001218	SPEED SENSOR, MERITOR
7	2	7001223	ABS, SENSOR WIRE
8	1	7001229	ABS VALVE
9	1	7001232	ABS, POWER HARNESS
10	1	7045014	FITTING, MALE BRANCH TEE
11	2	6100382	NUT, 3/8" - 16 LOCK STOVER
12	2	7001224	ABS, SENSOR CLIP

ABS VALVE ASSEMBLY, 53'

700N392

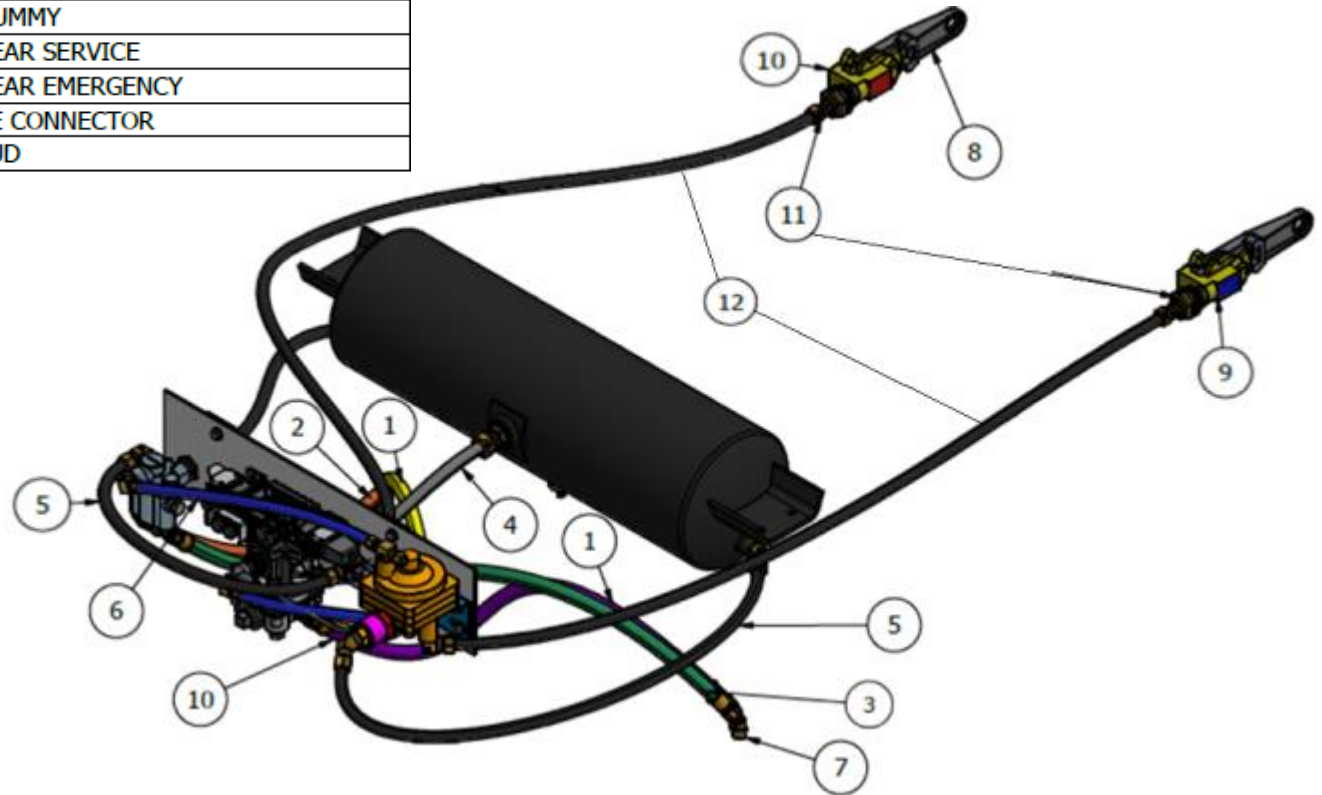


PARTS LIST			
ITEM	QTY	PART NUMBER	DESCRIPTION
1	1	8000831	ABS SERVICE KIT- BENDIX
2	1	7045014	FITTING, MALE BRANCH TEE 272NTA-6-6
3	1	7000875	FITTING, 90 DEG
4	2	6000385	BOLT 3/8-16 x 5"
5	2	6200378	WASHER, 3/8" FLAT SAE PLATED
6	2	6100377	NUT 3/8-16 NYLOK PLATED
7	4	7000216	FITTING, MALE ELBOW, 45 D S159-6-6
8	1	8000459	GROMMET 1 3/8" HOLE
9	1	7001290	ABS POWER HARNESS, 20' 5 PIN
10	1	8001003	ABS SENSOR-W24 TABS6/60"
12	1	7001224	ABS, SENSOR CLIP-MERITOR

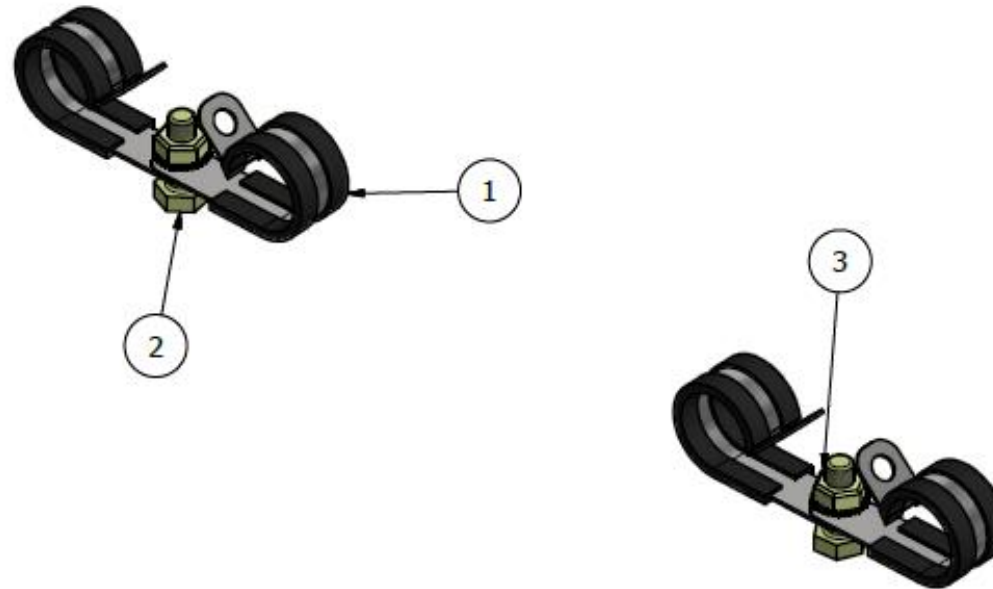
AIR BRAKE CHAMBER CONNECTOR ASSEMBLY

700N381

PARTS LIST			
ITEM	QTY	PART NUMBER	DESCRIPTION
1	2	7100164	29" RUBBER AIR BRAKE HOSE
2	1	7100169	25" RUBBER AIR BRAKE HOSE
3	1	7100198	35" RUBBER AIR BRAKE HOSE
4	1	7000211	5/8" NYLON TUBING, BLACK
5	1	7000968	1/2" NYLON TUBING, BLACK
6	1	7000971	3/8" NYLON TUBING, BLUE
7	4	7000216	FITTING, MALE 45 DEGREE
8	2	7000017	GLADHAND, DUMMY
9	1	7000058	GLADHAND, REAR SERVICE
10	1	7000059	GLADHAND, REAR EMERGENCY
11	2	7000143	FITTING, MALE CONNECTOR
12	2	7000188	CLAMPING STUD



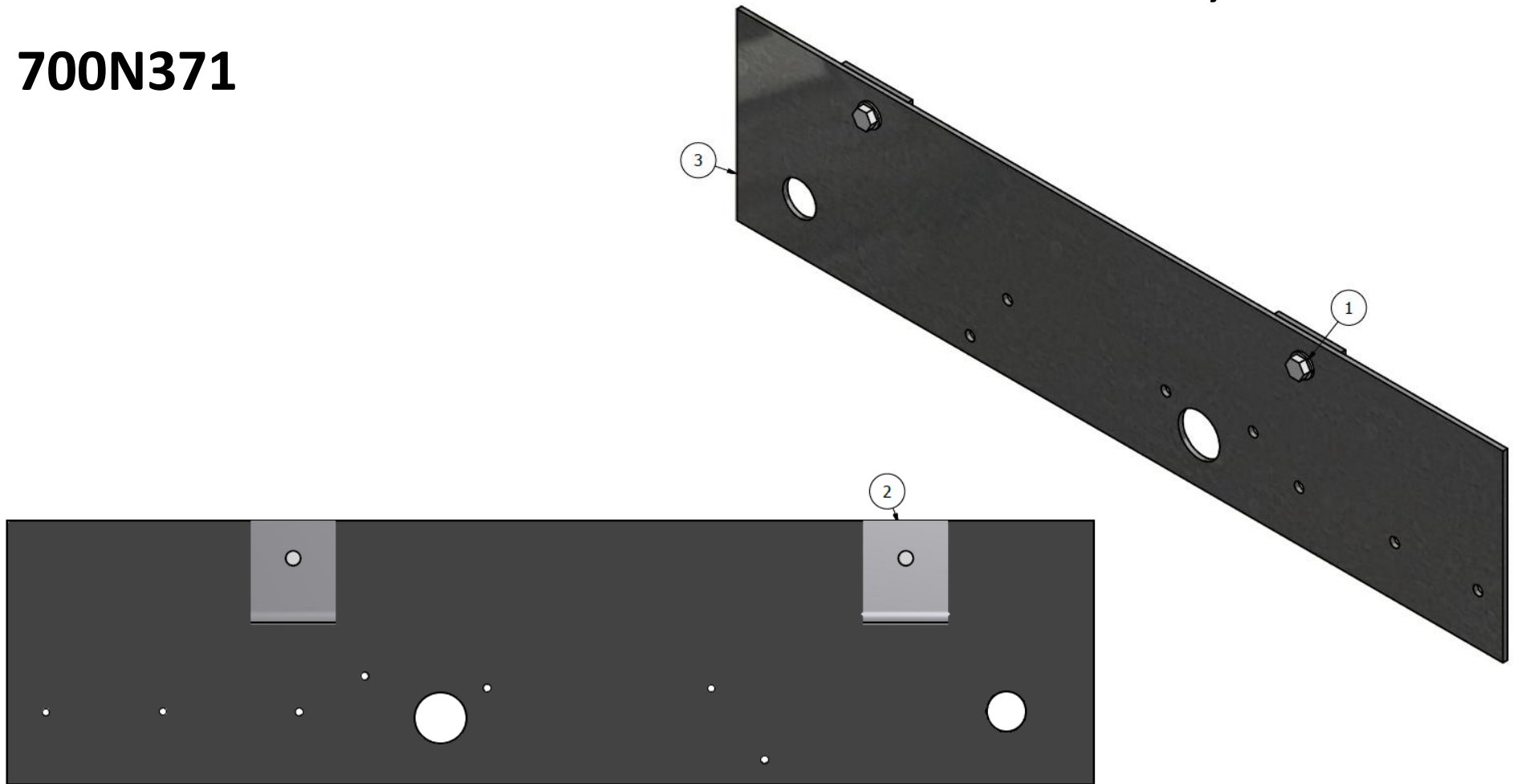
AIR BRAKE HOSE, CLAMP, & FASTENER ASSEMBLY, LTL SEMI 700N520



PARTS LIST			
ITEM	QTY	PART NUMBER	DESCRIPTION
1	4	8000261	CLAMP, RUBBER CUSHION - 3/4"
2	2	6000275	BOLT 1/4" -20 x 3/4" GRADE 8 PLATED
3	2	6100256	NUT 1/4"-20 KEP STAINLESS

AIR BRAKE VALVE MOUNTING PLATE ASSEMBLY, LTL28'

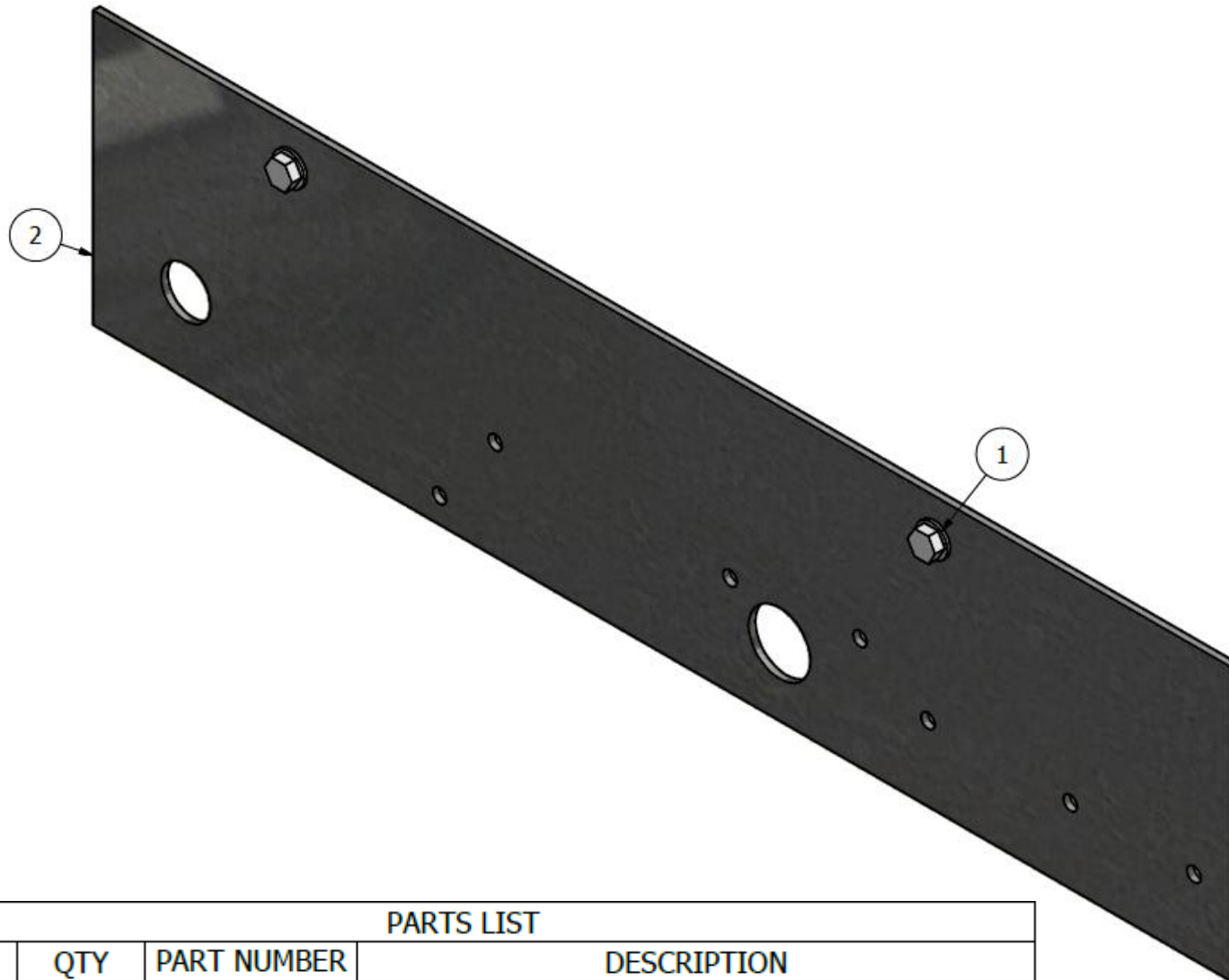
700N371



PARTS LIST			
ITEM	QTY	PART NUMBER	DESCRIPTION
1	2	6000312	BOLT, 5/16"-18 x 3/4" TRILOBULAR SELF TAPPING
2	2	7000063	MOUNTING ANGLE, AIR KIT PLATE
3	1	7000064	MOUNTING PLATE, AIR BRAKE VALVE

AIR BRAKE VALVE MOUNTING PLATE ASSEMBLY, LTL SEMI

700N377



PARTS LIST			
ITEM	QTY	PART NUMBER	DESCRIPTION
1	2	6000312	BOLT, 5/16"-18 x 3/4" TRILOBULAR SELF TAPPING
2	1	7000064	MOUNTING PLATE, AIR BRAKE VALVE

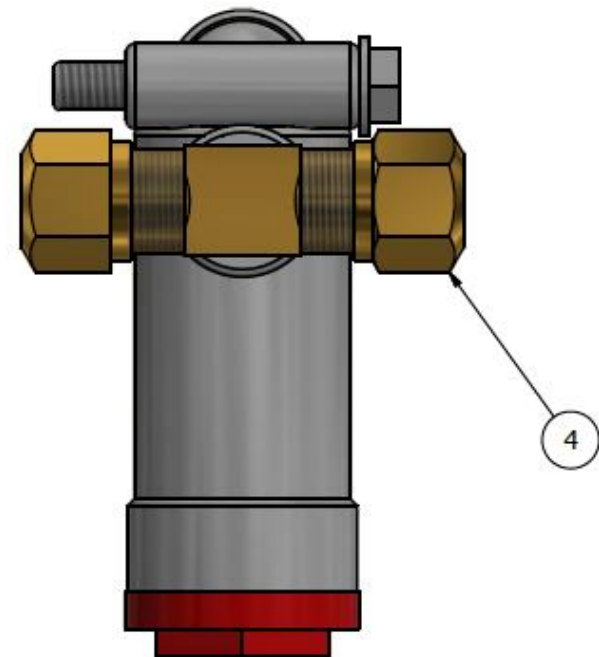
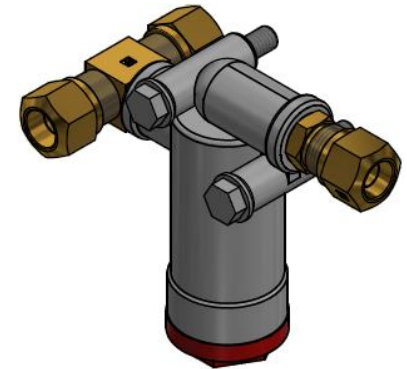
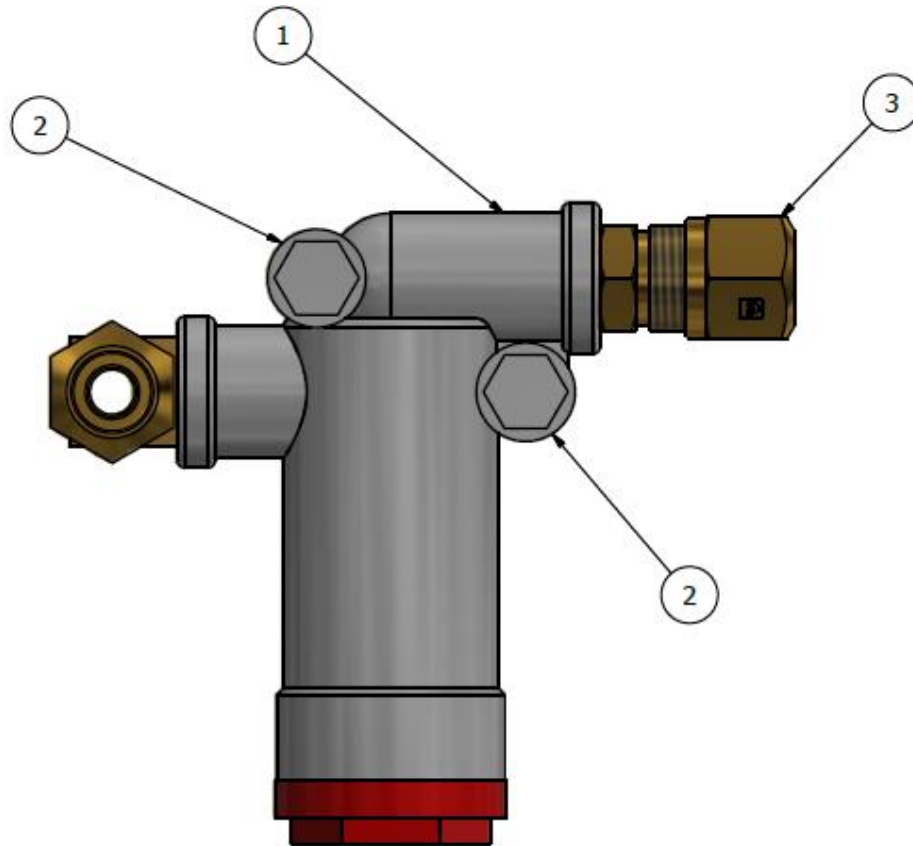
AIR DRAIN VALVE ASSEMBLY, 60" CABLE

700N016



AIR FILTER ASSEMBLY, LTL28'

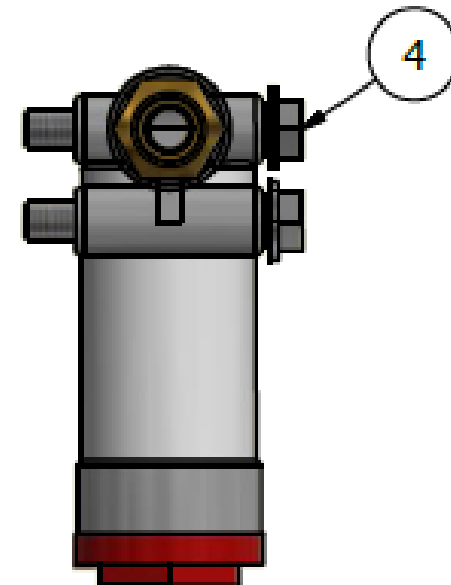
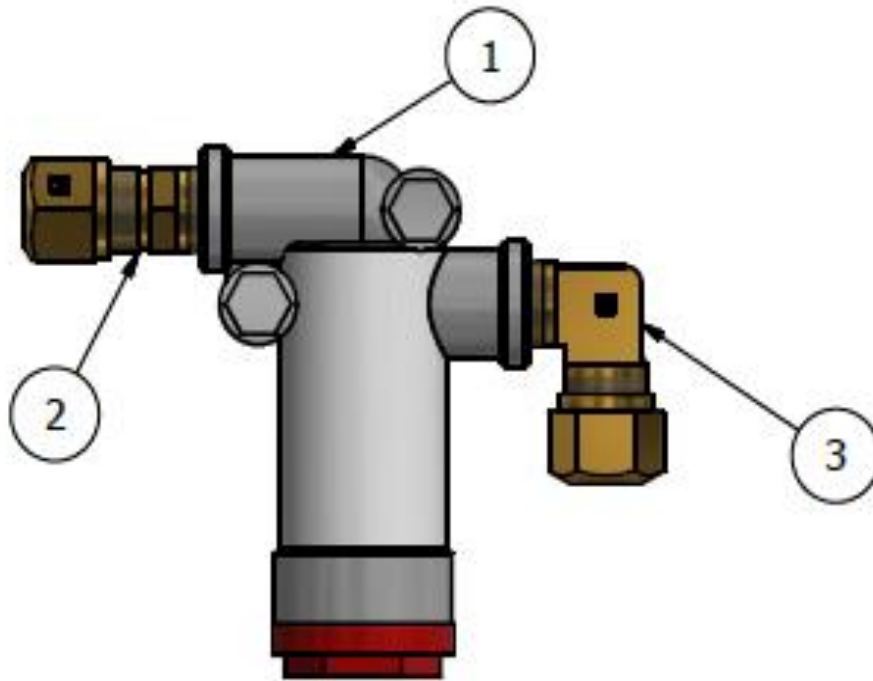
700N370



PARTS LIST			
ITEM	QTY	PART NUMBER	DESCRIPTION
1	1	7000110	VALVE, AIR FILTER
2	2	6000345	BOLT, 5/16"- 18 x 2" SELF TAP
3	1	7000143	FITTING, MALE
4	1	7000147	FITTING, MALE BRANCH TEE

AIR FILTER ASSEMBLY, LTL28' LIFTGATE

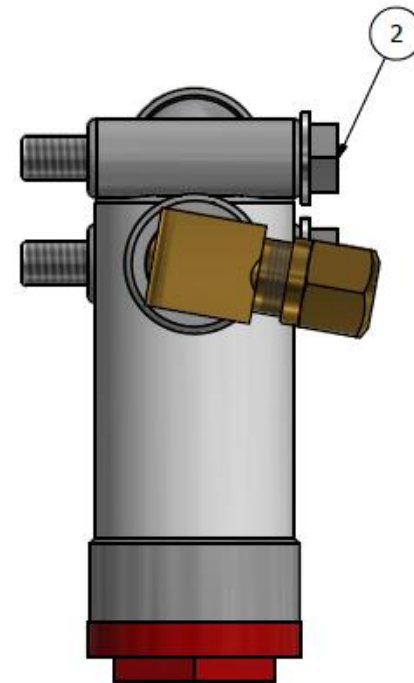
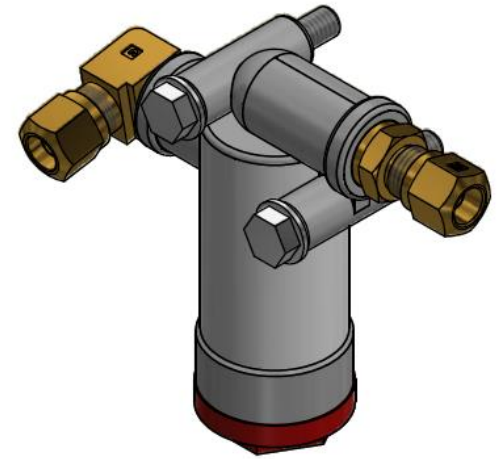
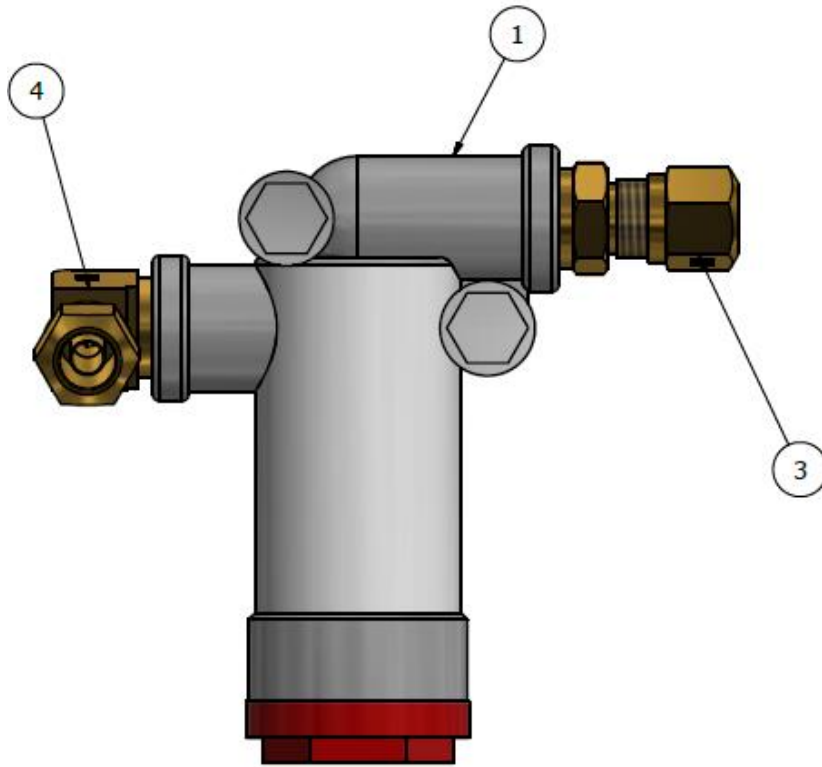
700N351



PARTS LIST			
ITEM	QTY	PART NUMBER	DESCRIPTION
	1	700N351	AIR FILTER ASSEMBLY
1	1	7000110	VALVE, FILTER LINE-AIR BRAKE
2	1	7000143	FITTING, MALE CONNECTOR
3	1	7045009	FITTING, ELBOW 90 DEGREE
4	2	6000345	BOLT, 5/16"- 18 x 2"

AIR FILTER ASSEMBLY, LTL SEMI

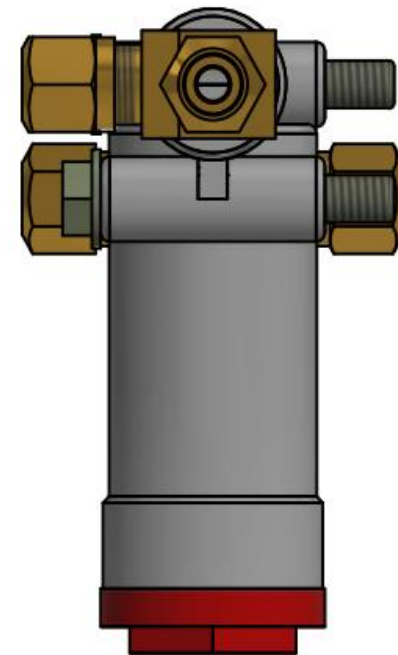
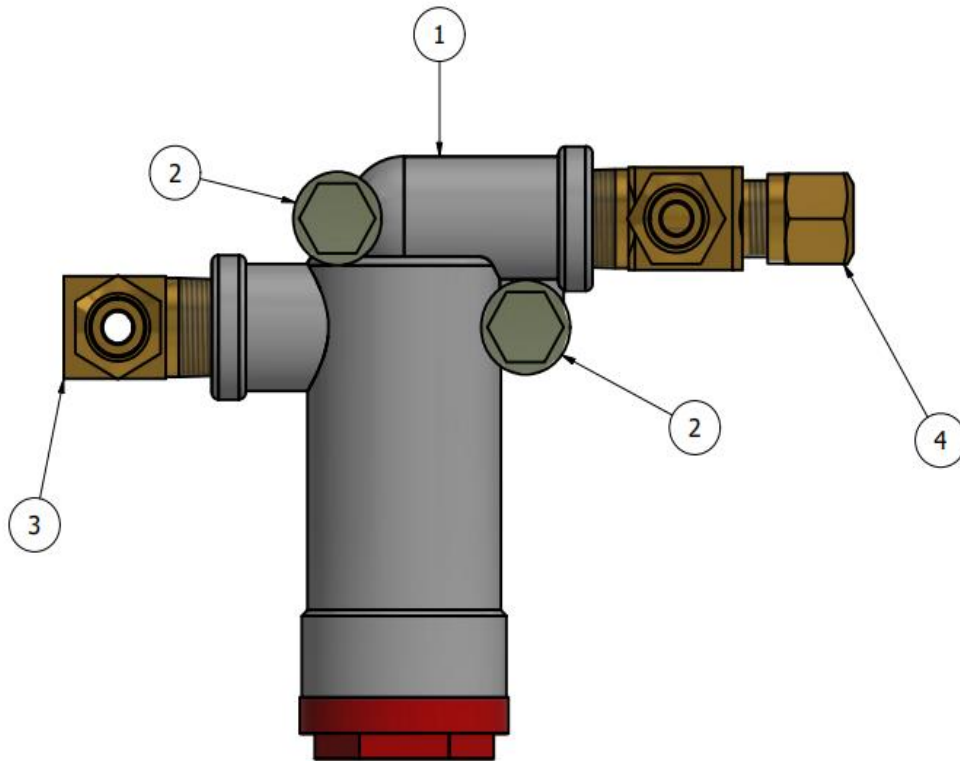
700N378



PARTS LIST			
ITEM	QTY	PART NUMBER	DESCRIPTION
	1	700N378	AIR FILTER ASSEMBLY
1	1	7000110	VALVE, FILTER LINE-AIR BRAKE
2	2	6000345	BOLT, 5/16"- 18 x 2"
3	1	7000141	FITTING, MALE CONNECTOR
4	1	7045008	FITTING, ELBOW 90 DEGREE

AIR FILTER ASSEMBLY, LTL SEMI

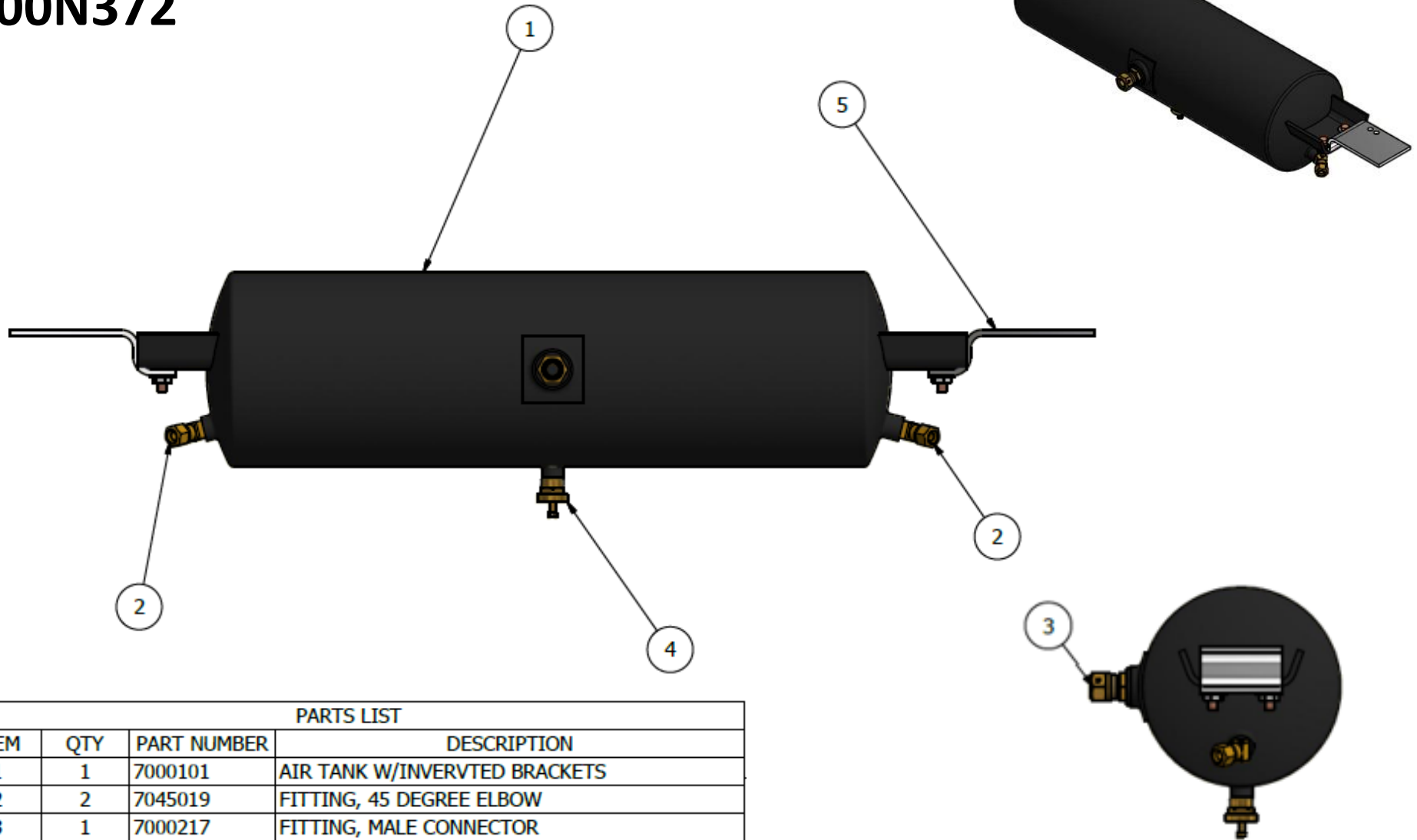
700N393



PARTS LIST			
ITEM	QTY	PART NUMBER	DESCRIPTION
1	1	7000110	VALVE, FILTER LINE-AIR BRAKE
2	2	6000345	BOLT, 5/16"- 18 x 2"
3	1	7045014	FITTING, MALE BRANCH TEE 272NTA-6-6
4	1	7045011	FITTING, MALE RUN TEE 271NTA-6-6

AIR TANK ASSEMBLY, LTL28' & LIFTGATE

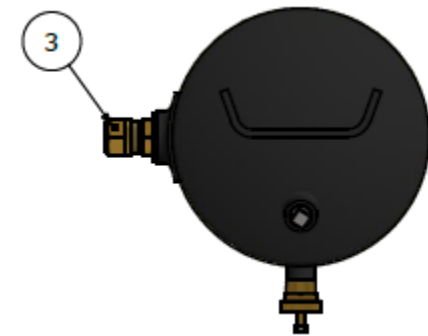
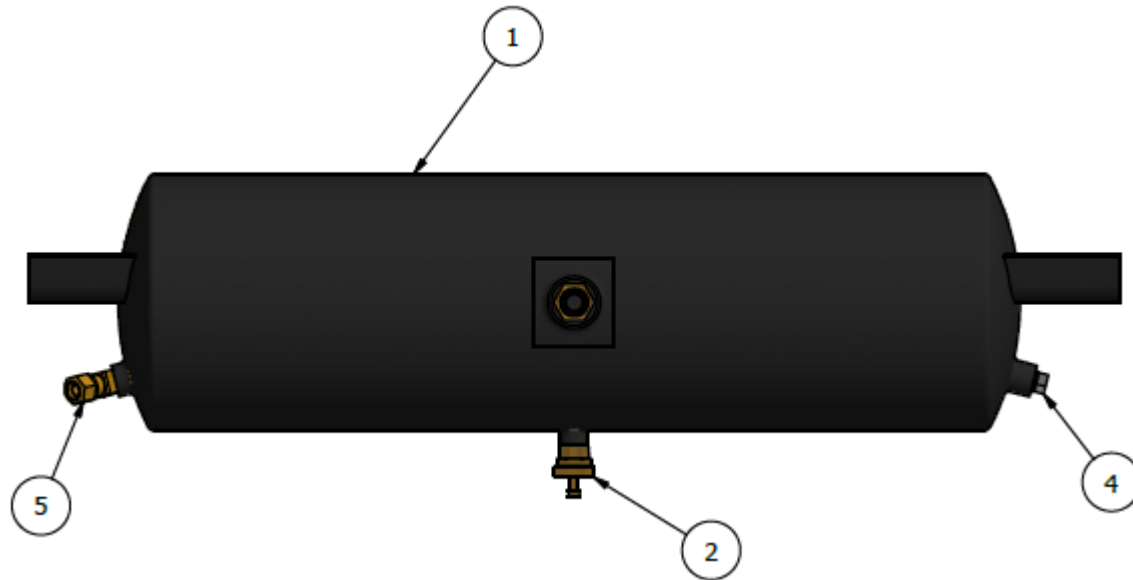
700N372



PARTS LIST			
ITEM	QTY	PART NUMBER	DESCRIPTION
1	1	7000101	AIR TANK W/INVERTED BRACKETS
2	2	7045019	FITTING, 45 DEGREE ELBOW
3	1	7000217	FITTING, MALE CONNECTOR
4	1	700N016	AIR DRAIN VALVE ASSM, 60" CABLE
5	1	2201656	BRACKET, AIR TANK

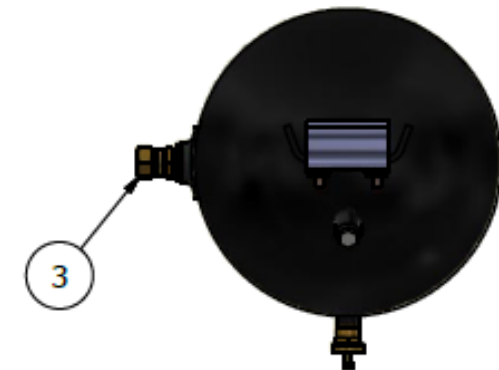
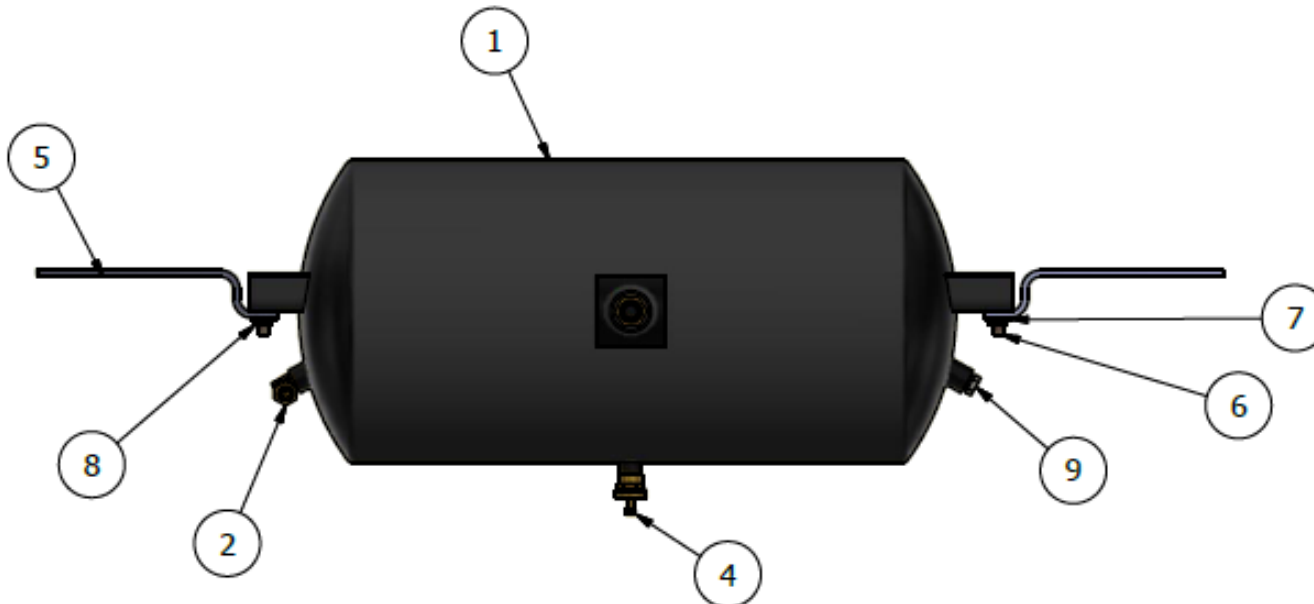
AIR TANK ASSEMBLY, LTL28' LIFTGATE

700N385



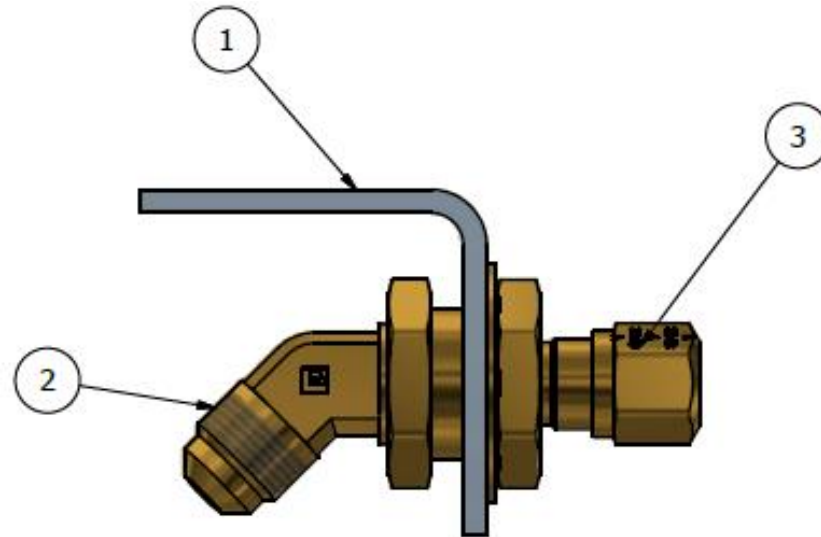
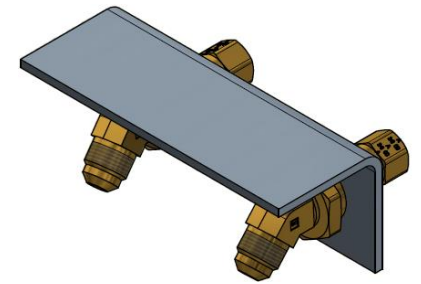
PARTS LIST			
ITEM	QTY	PART NUMBER	DESCRIPTION
1	1	7000101	AIR TANK W/INVERTED BRACKETS
2	1	7000165	VALVE, DRAIN W/ CABLE
3	1	7000217	FITTING, MALE CONNECTOR
4	1	7000851	PIPE PLUG 3/8"
5	1	7045019	FITTING, 90 DEGREE ELBOW

AIR TANK ASSEMBLY, LTL SEMI 700N375



PARTS LIST			
ITEM	QTY	PART NUMBER	DESCRIPTION
1	1	7000102	AIR TANK, SEMI 12" DIAMETER
2	1	7045009	FITTING, ELBOW 90 DEGREE
3	1	7000217	FITTING, MALE CONNECTOR
4	1	7000165	DRAIN VALVE, SLOAN/HEBCO
5	2	2204501	BRACKET, AIR TANK
6	4	6000375	BOLT, 3/8-16 x 1 1/4" GRADE 8
7	8	6200376	WASHER 3/8" FLATT USS PLATED
8	4	6100381	NUT, 3/8-16 LOCK CROWN GRADE 8
9	1	7000851	PIPE PLUG, 3/8"

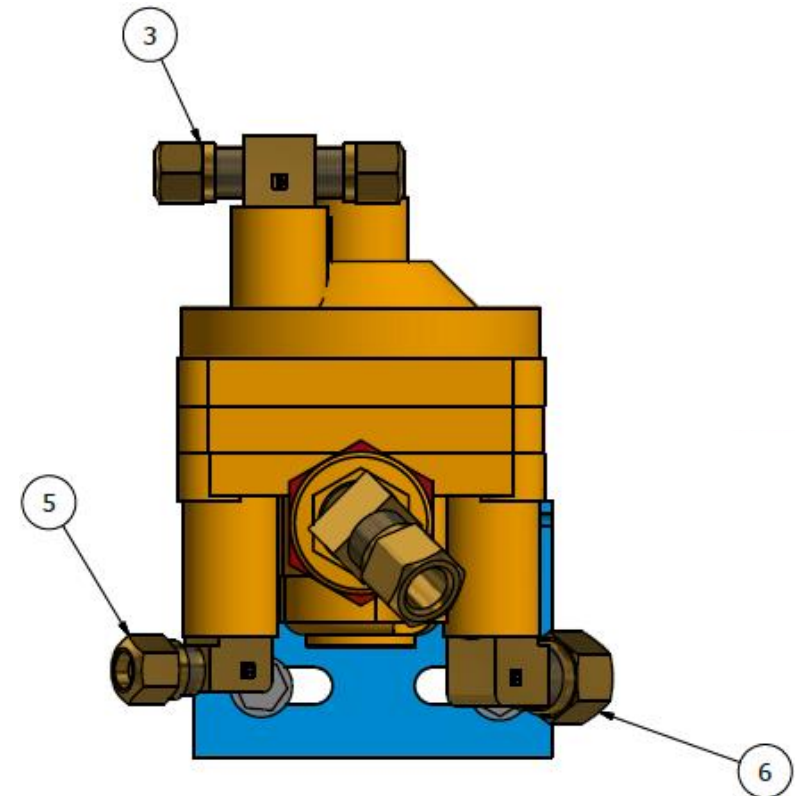
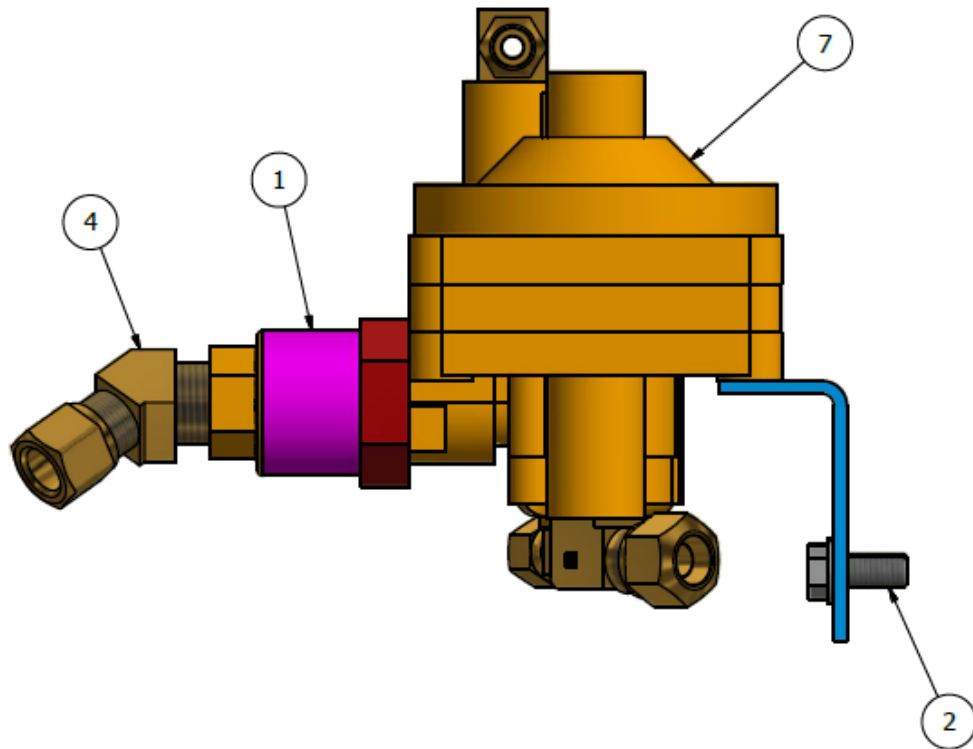
BOGIE HOSE HANGER ASSEMBLY, LTL SEMI 700N253



PARTS LIST			
ITEM	QTY	PART NUMBER	DESCRIPTION
1	1	2104521	ANGLE, SLIDER HOSE HANGER
2	2	7000216	FITTING, MALE ELBOW 45 DEGREE
3	2	7045035	FITTING, BULKHEAD CONNECTION

CONTROL VALVE ASSEMBLY, LTL28'

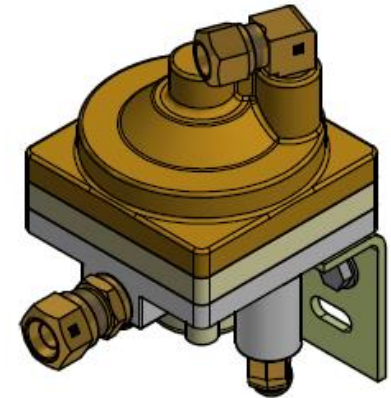
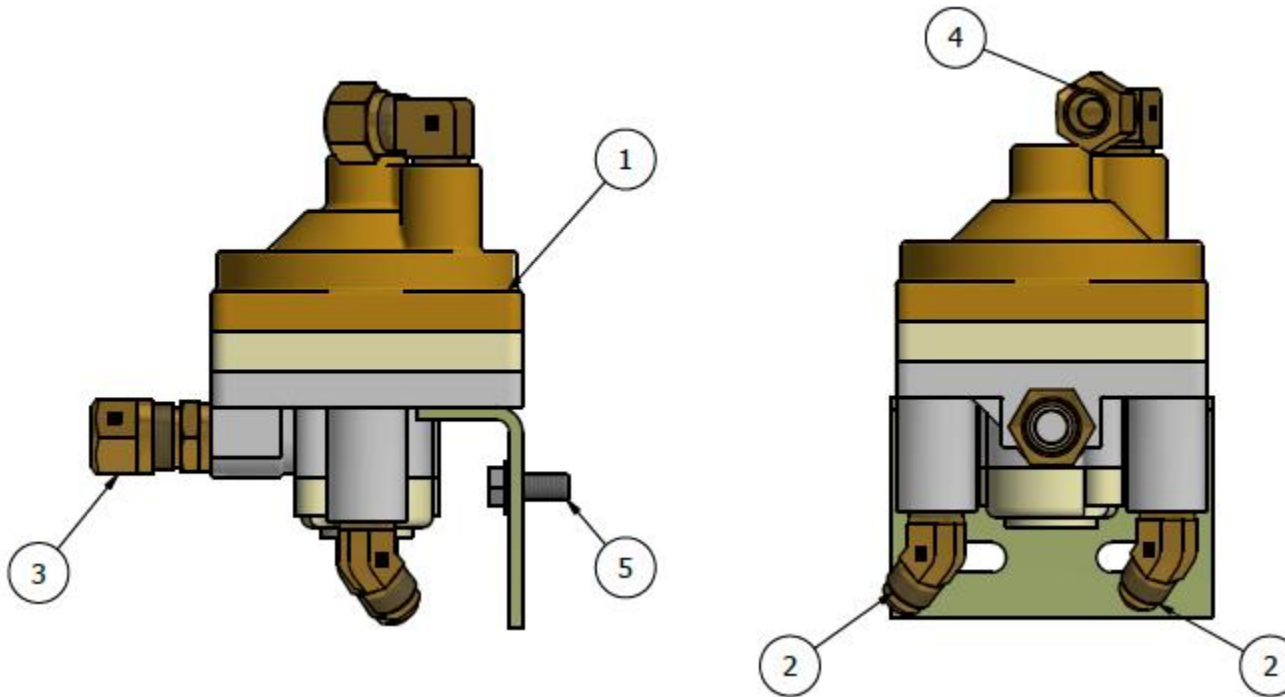
700N369



PARTS LIST			
ITEM	QTY	PART NUMBER	DESCRIPTION
1	1	7001209	VALVE, 1-WAY CHECK
2	2	6000312	BOLT 5/16"-18 X 3/4" SELF TAP
3	1	7045014	FITTING, MALE BRANCH TEE
4	1	7045012	FITTING, ELBOW 45 DEGREE
5	1	7045008	FITTING, 90 DEGREE ELBOW
6	1	7045009	FITTING, 90 DEGREE ELBOW
7	1	7045000	CONTROL LINE VALVE

RELAY VALVE ASSEMBLY, LTL SEMI

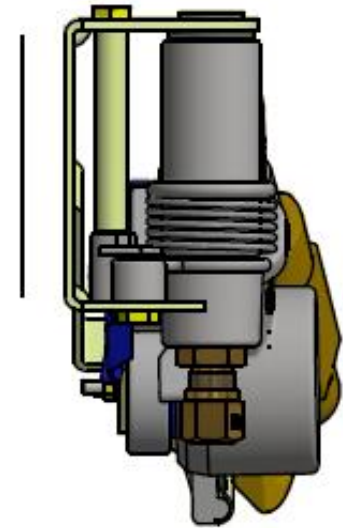
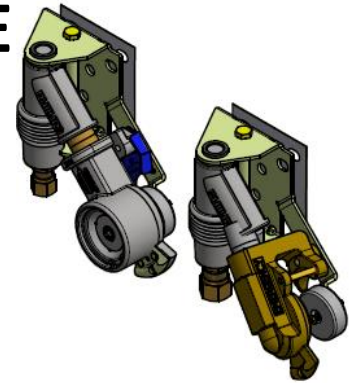
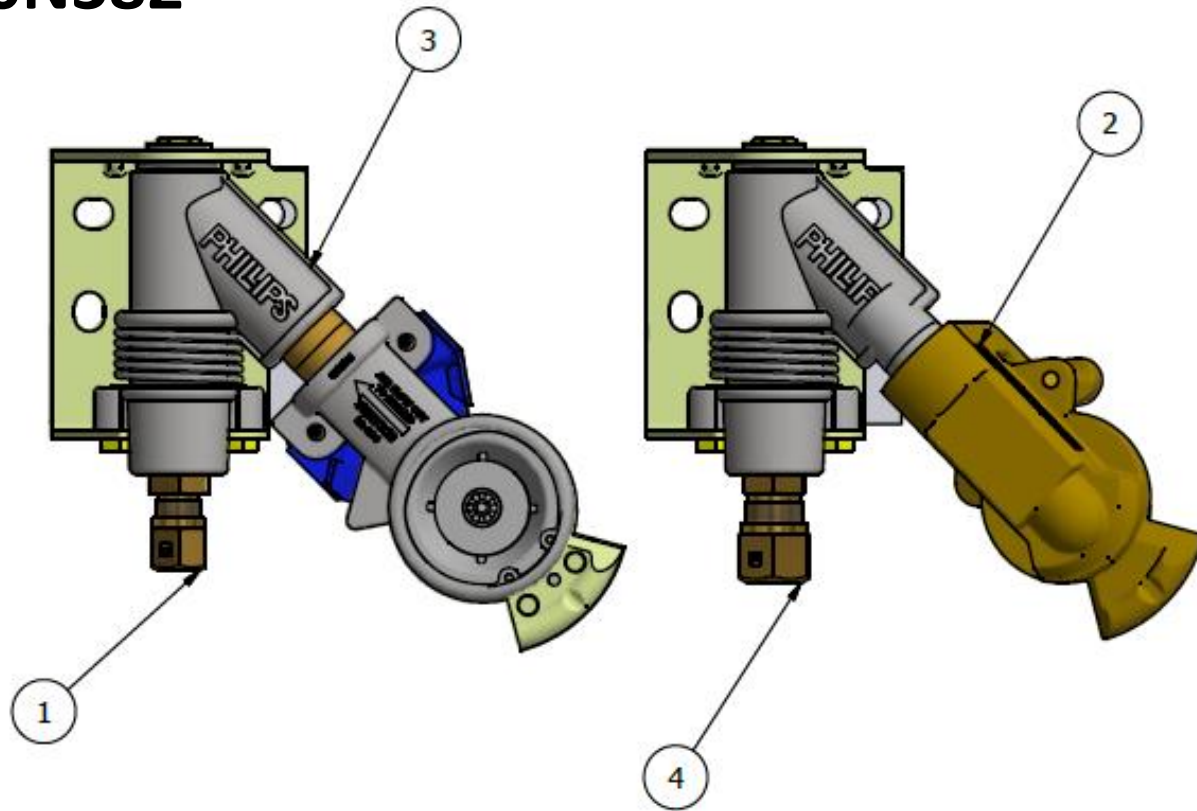
700N380



PARTS LIST			
ITEM	QTY	PART NUMBER	DESCRIPTION
	1	700N380	RELAY VALVE ASSEMBLY
1	1	7001247	VALVE, SERVICE RELAY
2	2	7000216	FITTING, MALE ELBOW 45 DEGREE
3	1	7000218	FITTING, MALE CONNECTOR
4	1	7045009	FITTING, ELBOW 90 DEGREE
5	2	6000312	BOLT, 5/15"-18 x 3/4"

GLADHAND ASSEMBLY-FRONT, LTL28' & LIFTGATE

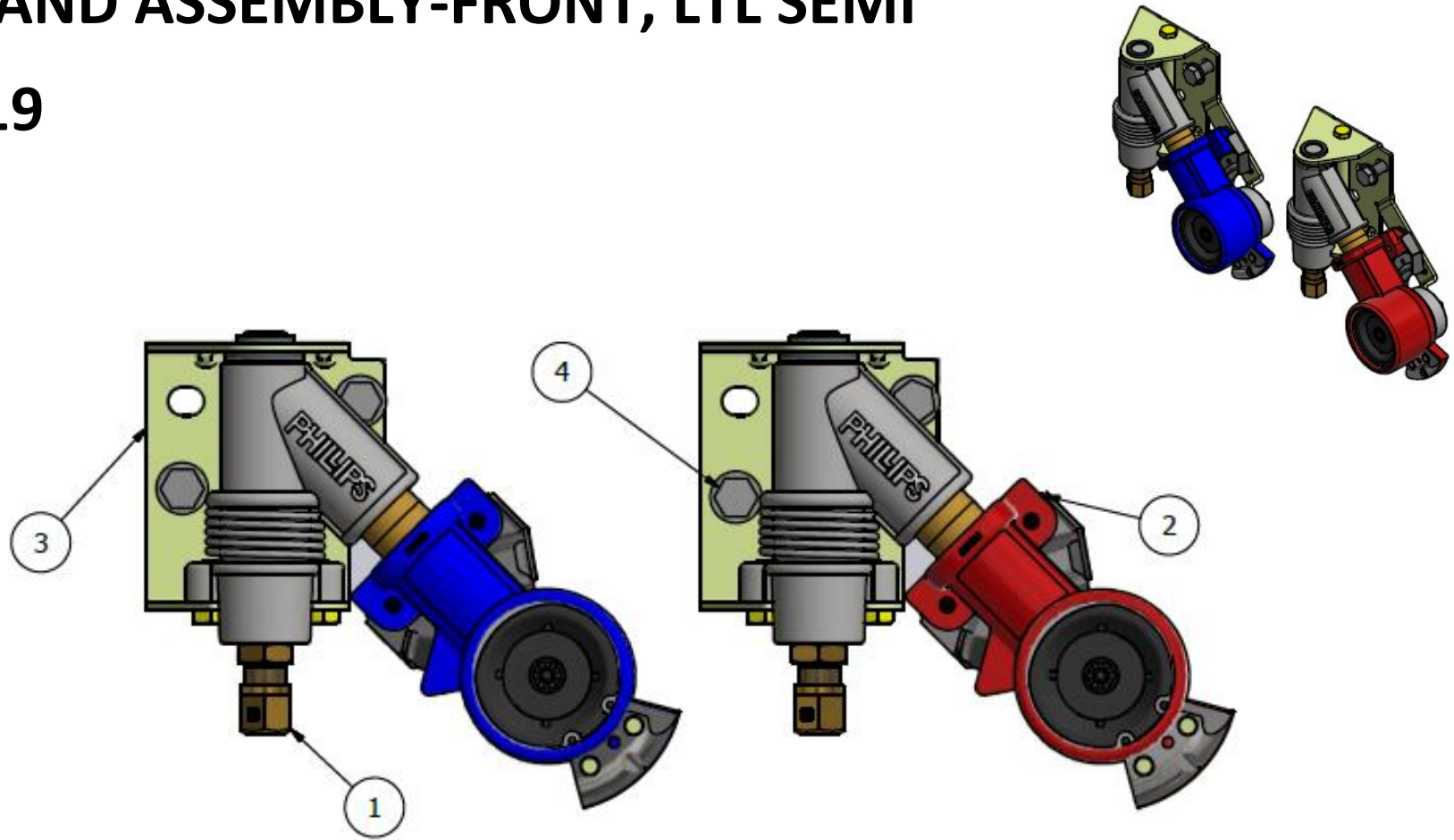
700N382



PARTS LIST			
ITEM	QTY	PART NUMBER	DESCRIPTION
1	1	7000141	FITTING, MALE CONNECTOR
2	1	7001256	GLADHAND, FRONT 45D EMERGENCY
3	1	7001274	GLADHAND, SERVICE SWINGER W/QUICK E
4	1	7000143	FITTING, MALE CONNECTOR

GLADHAND ASSEMBLY-FRONT, LTL SEMI

700N219



PARTS LIST			
ITEM	QTY	PART NUMBER	DESCRIPTION
1	2	7000141	FITTING, MALE
2	1	7001256	GLADHAND, FRONT 45D EMERGENCY
3	1	7001274	GLADHAND, SERVICE SWINGER W/QUICK E
4	4	6000312	BOLT, 5/16" - 18 x 3/4" SELF TAPPING

GLADHAND ASSEMBLY-FRONT, LTL28' & LIFTGATE

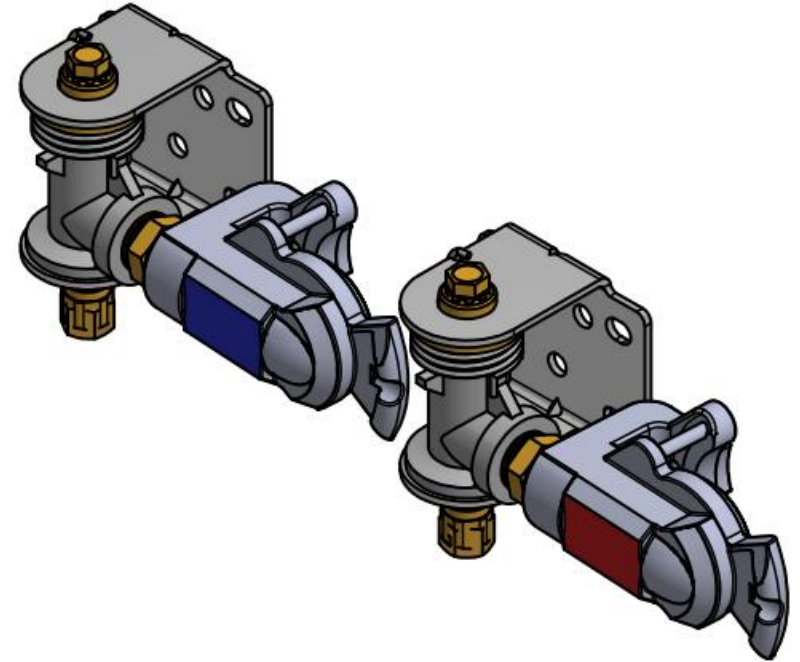
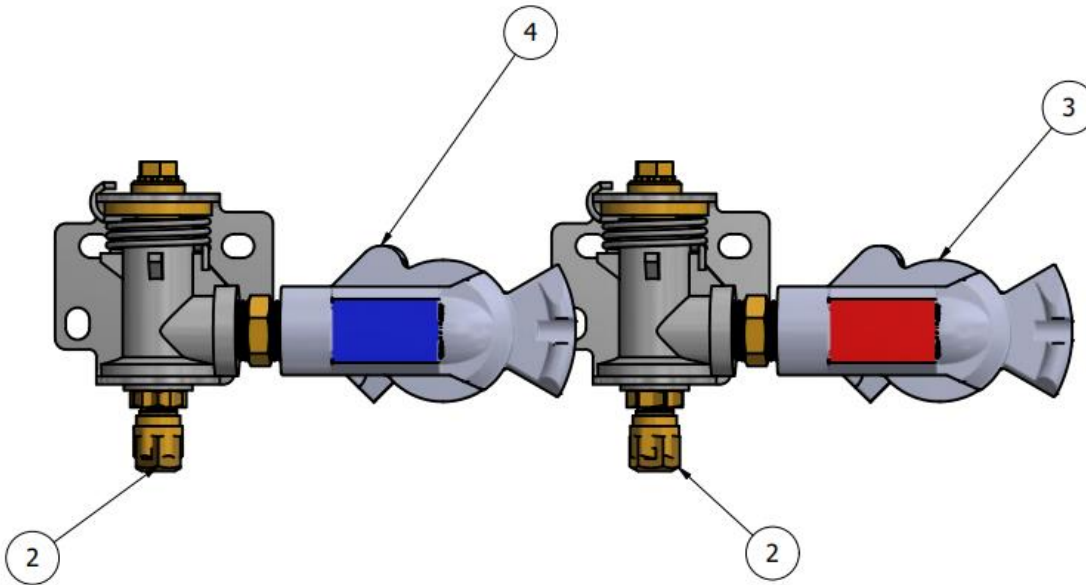
700N400



PARTS LIST			
ITEM	QTY	PART NUMBER	DESCRIPTION
1	4	6000312	BOLT, 5/16-18 x 3/4" TRILOBULAR SELF TAPPING
2	1	7000141	FITTING, MALE 68NTA-6-6
3	1	7000143	FITTING, MALE 68NTA-8-6
4	1	7001291	GLADHAND, 45D, CAST IRON, SWINGER, EMERGENCY
5	1	7001292	GLADHAND, 45D, CAST IRON, SWINGER, CONTROL

GLADHAND ASSEMBLY-FRONT, LTL SEMI

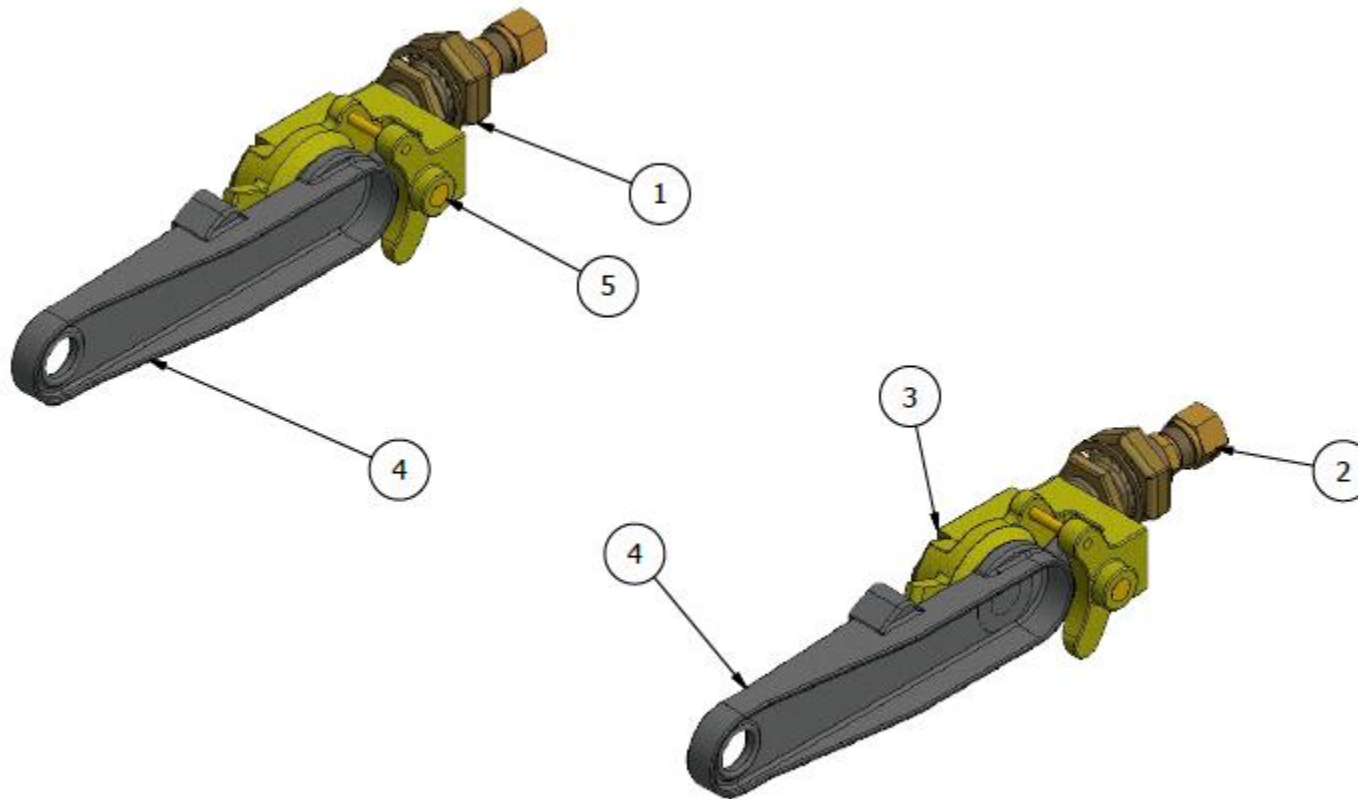
700N401



PARTS LIST			
ITEM	QTY	PART NUMBER	DESCRIPTION
1	4	6000312	BOLT, 5/16-18 x 3/4" TRILOBULAR SELF TAPPING
2	2	7000141	FITTING, MALE 68NTA-6-6
3	1	7001293	GLADHAND, 90D, CAST IRON, SWINGER, EMERGENCY
4	1	7001294	GLADHAND, 90D, CAST IRON, SWINGER, CONTROL

GLADHAND ASSEMBLY-REAR, LTL28'

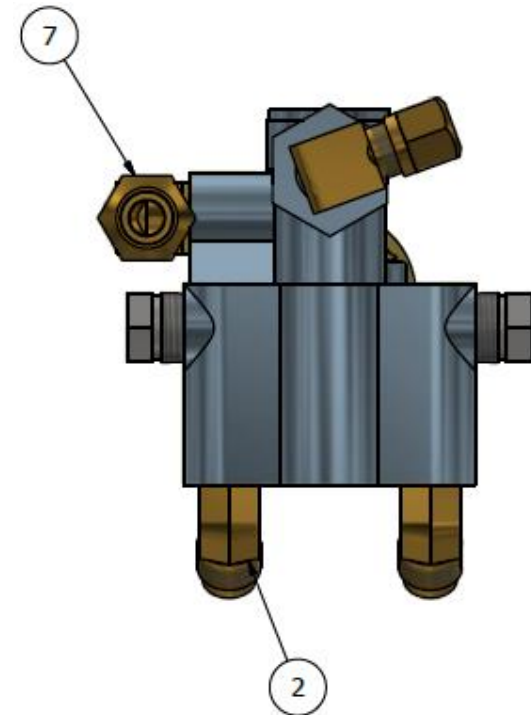
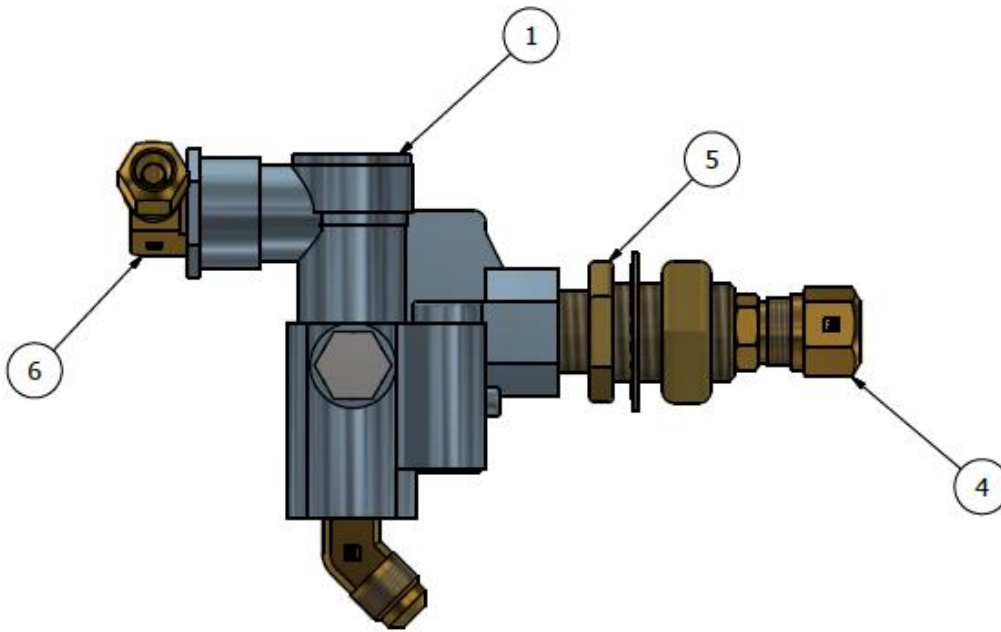
700N071



PARTS LIST			
ITEM	QTY	PART NUMBER	DESCRIPTION
1	2	7000188	CLAMPING STUD 3/4" x 1/2" NPY MALE
2	2	7000143	FITTING, MALE
3	1	7000059	GLADHAND, EMERGENCY - CAST / STRAIGHT
4	2	7000017	GLADHAND, DUMMY - PHILLIPS
5	1	7000058	GLADHAND, SERVICE - CAST / STRAIGHT

SPRING BRAKE VALVE ASSEMBLY, LTL28'

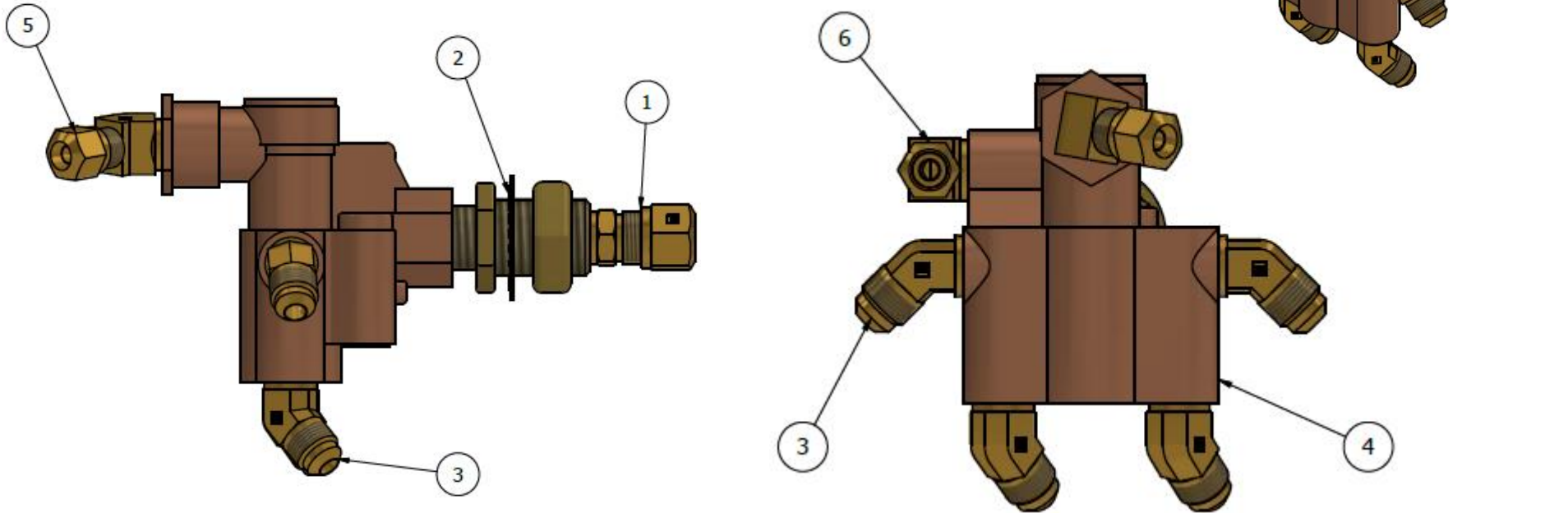
700N368



PARTS LIST			
ITEM	QTY	PART NUMBER	DESCRIPTION
1	1	7001213	VALVE, SPRING BRAKE
2	2	7000216	FITTING, 45 DEGREE ELBOW
3	2	7000851	FITTING, PIPE PLUG 3/8"
4	1	7000143	FITTING, MALE 68NTA-8-6
5	1	7000188	CLAMPING STUD, 3/4" X 1/2"
6	1	7045008	FITTING, 90 DEGREE ELBOW VS269NTA-6-6
7	1	7045009	FITTING, 90 DEGREE ELBOW VS269NTA-8-6

SPRING BRAKE VALVE ASSEMBLY, LTL SEMI

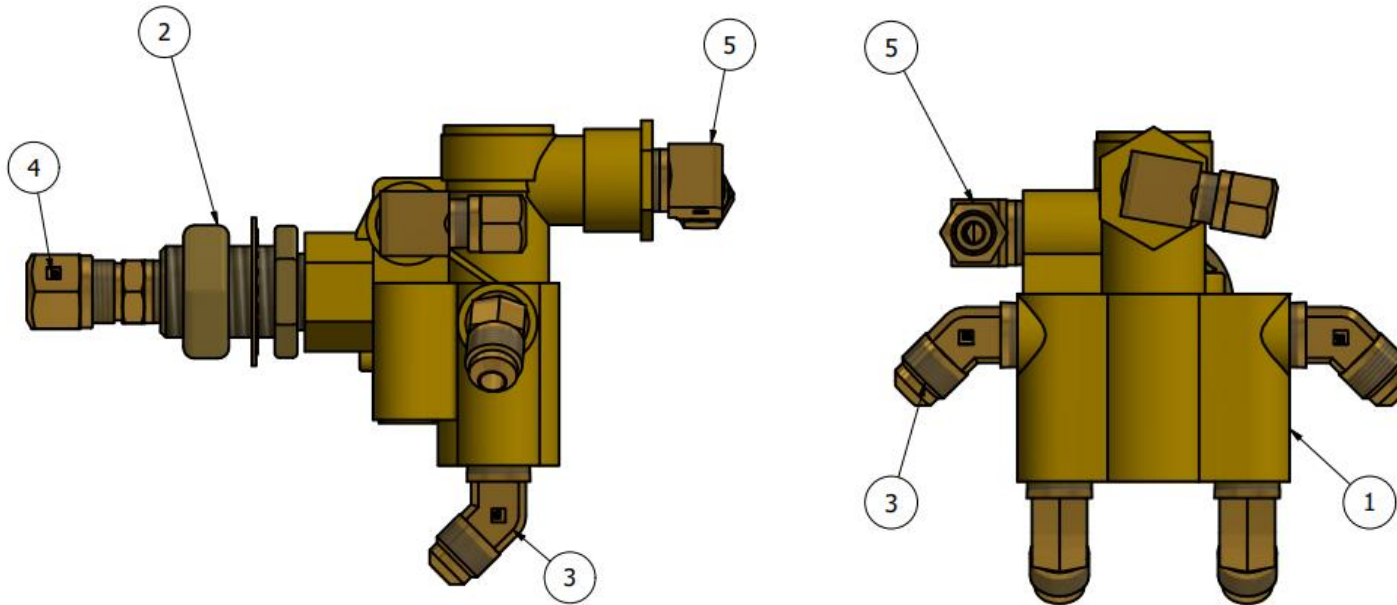
700N376



PARTS LIST			
ITEM	QTY	PART NUMBER	DESCRIPTION
	1	700N376	SPRING BRAKE VALVE
1	1	7000143	FITTING, MALE CONNECTOR
2	1	7000188	CLAMPING STUD
3	4	7000216	FITTING, MALE ELBOW 45 DEGREE
4	1	7001213	VALVE, SPRING BRAKE CONTROL
5	1	7045007	FITTING, 45 DEGREE ELBOW
6	1	7045008	FITTING, 90 DEGREE ELBOW

SPRING BRAKE VALVE ASSEMBLY, LTL SEMI

700N283



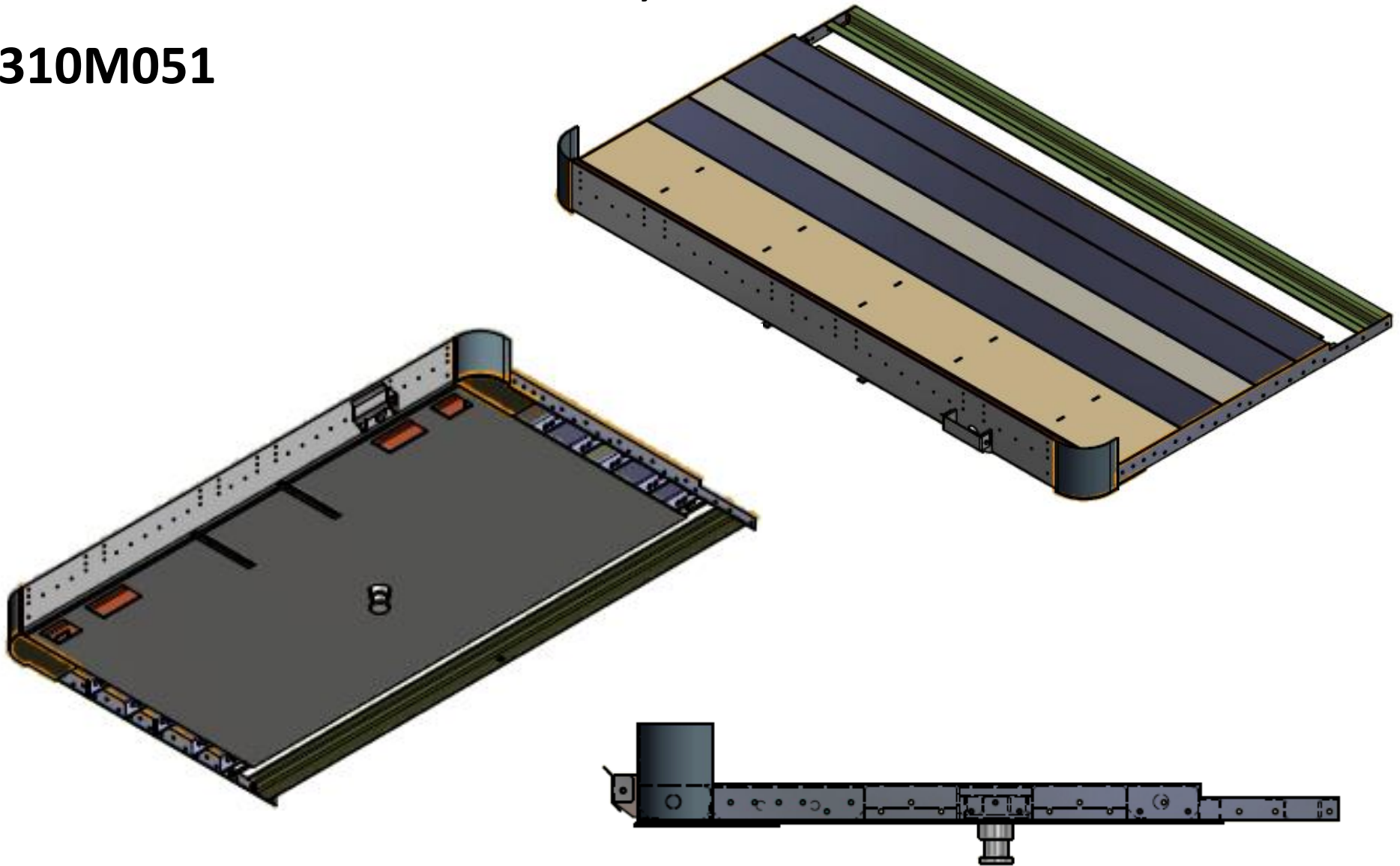
PARTS LIST			
ITEM	QTY	PART NUMBER	DESCRIPTION
1	1	7001213	VALVE, SPRING BRAKE CONTROL
2	1	7000188	CLAMPING STUD 3/4" X 1/2"
3	4	7000216	FITTING, MALE ELBOW, 45D
4	1	7000143	FITTING, MALE
5	2	7045008	FITTING, ELBOW 90 DEGREE



**UPPER COUPLER ASSEMBLIES
FOR
LTL XPO TRAILERS**

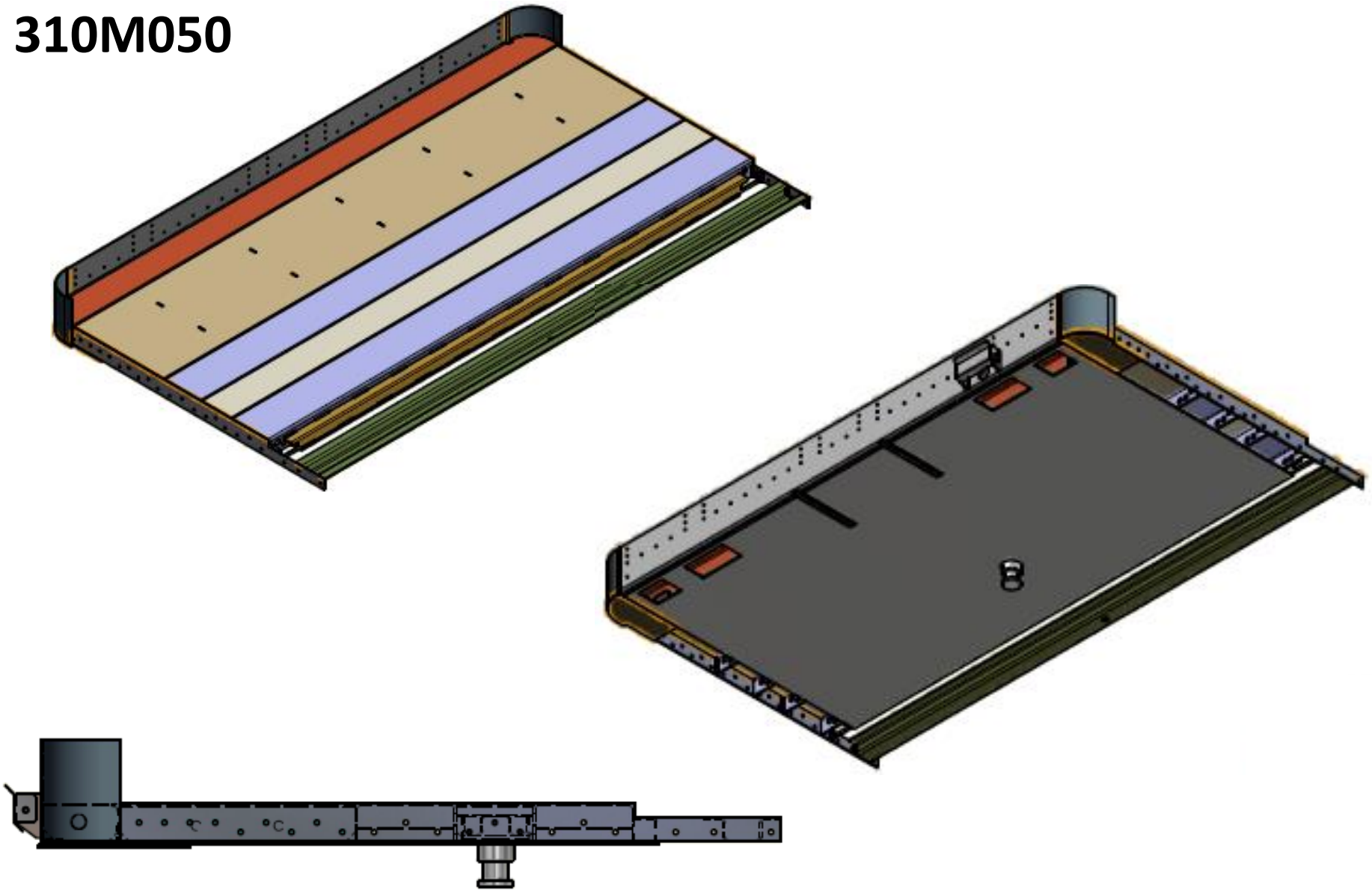
UPPER COUPLER ASSEMBLY, 28'

310M051



UPPER COUPLER ASSEMBLY, SEMI

310M050

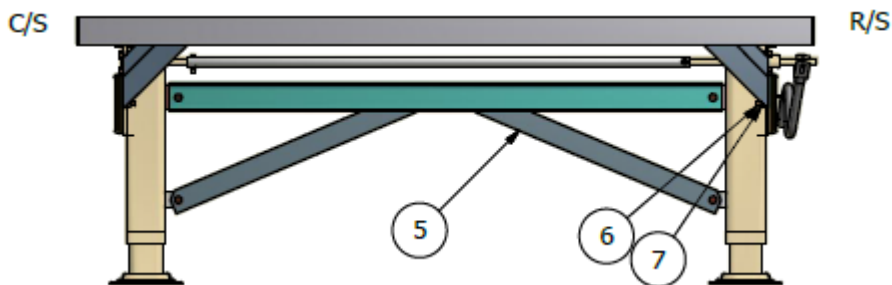
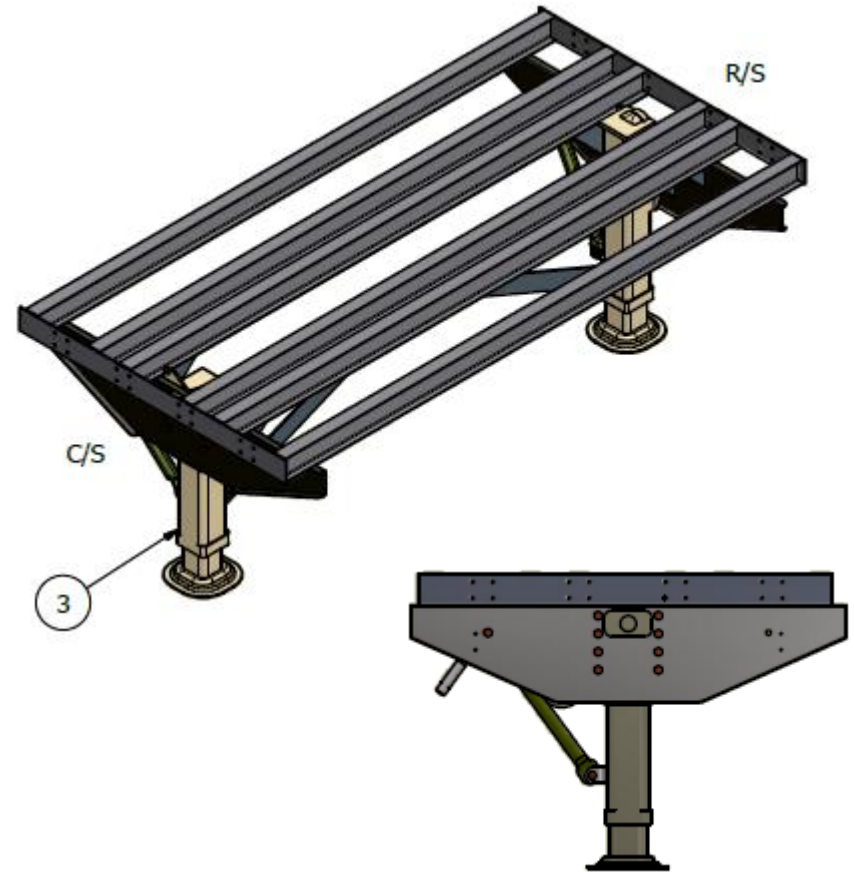
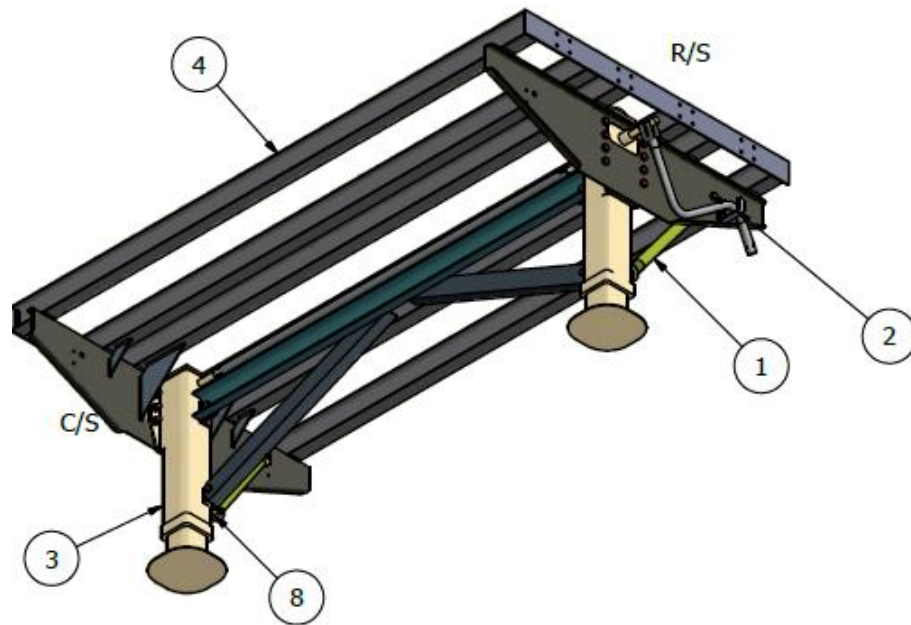




**LANDING LEG ASSEMBLIES
FOR
LTL XPO TRAILERS**

LANDING LEG ASSEMBLY

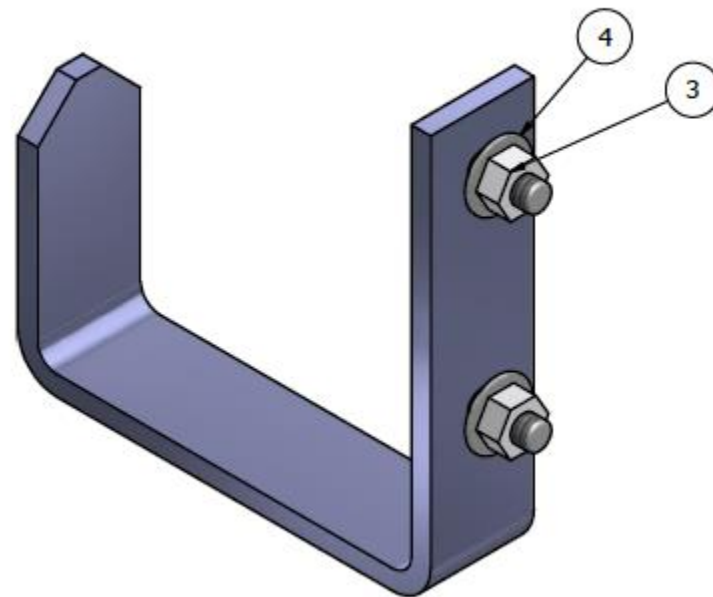
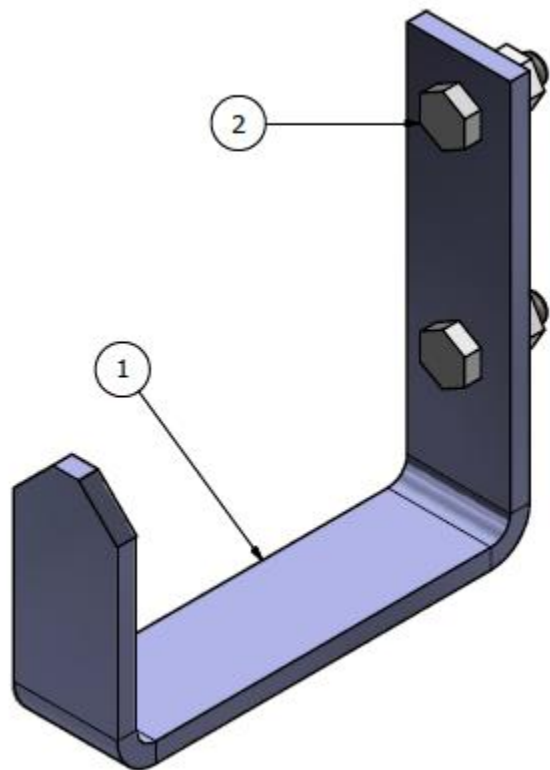
350M041



PARTS LIST			
ITEM	QTY	PART NUMBER	DESCRIPTION
1	2	3507232	REAR L.L. STRUT
2	1	350N045	CRANK HANDLE HOLDER
3	1	350N046	LANDING LEG ASSEMBLY
4	1	350N047	LANDING LEG SKIRT ASSEMBLY
5	1	350N049	K-BRACE ASSEMBLY
6	24	6000627	BOLT, 5/8-18 x 1 3/4
7	24	6100626	NUT, 5/8-18 PINCH LOCK GRADE 5 PLATED
8	4	6200626	WASHER, 5/8 FLAT USS PLATED

CRANK HANDLE HOLDER ASSEMBLY

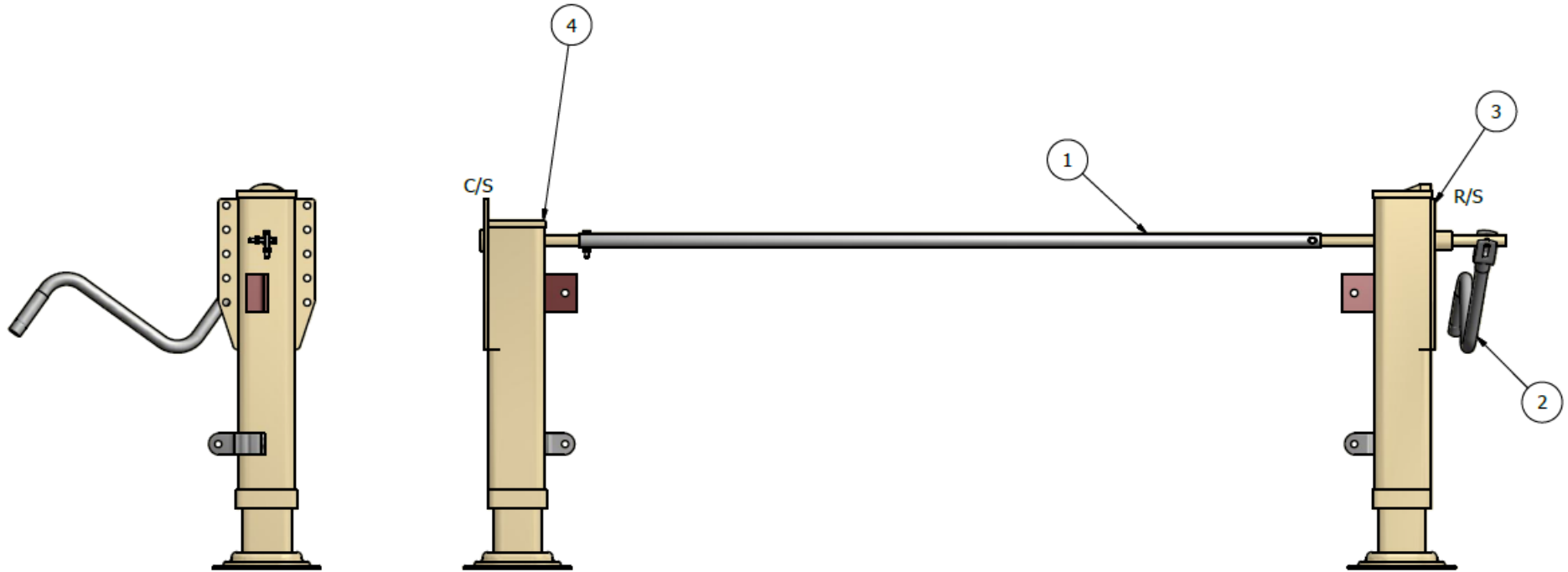
350N045



PARTS LIST			
ITEM	QTY	PART NUMBER	DESCRIPTION
1	1	3500559	HOLDER, CRANK HANDLE
2	2	6000275	BOLT, 1/4 - 20 x 3/4" GRADE 8 PLATED
3	2	6100258	NUT, 1/4 - 20 LOCK
4	2	6200252	WASHER, 1/4" SAE FLAT PLATED

LANDING LEG ASSEMBLY

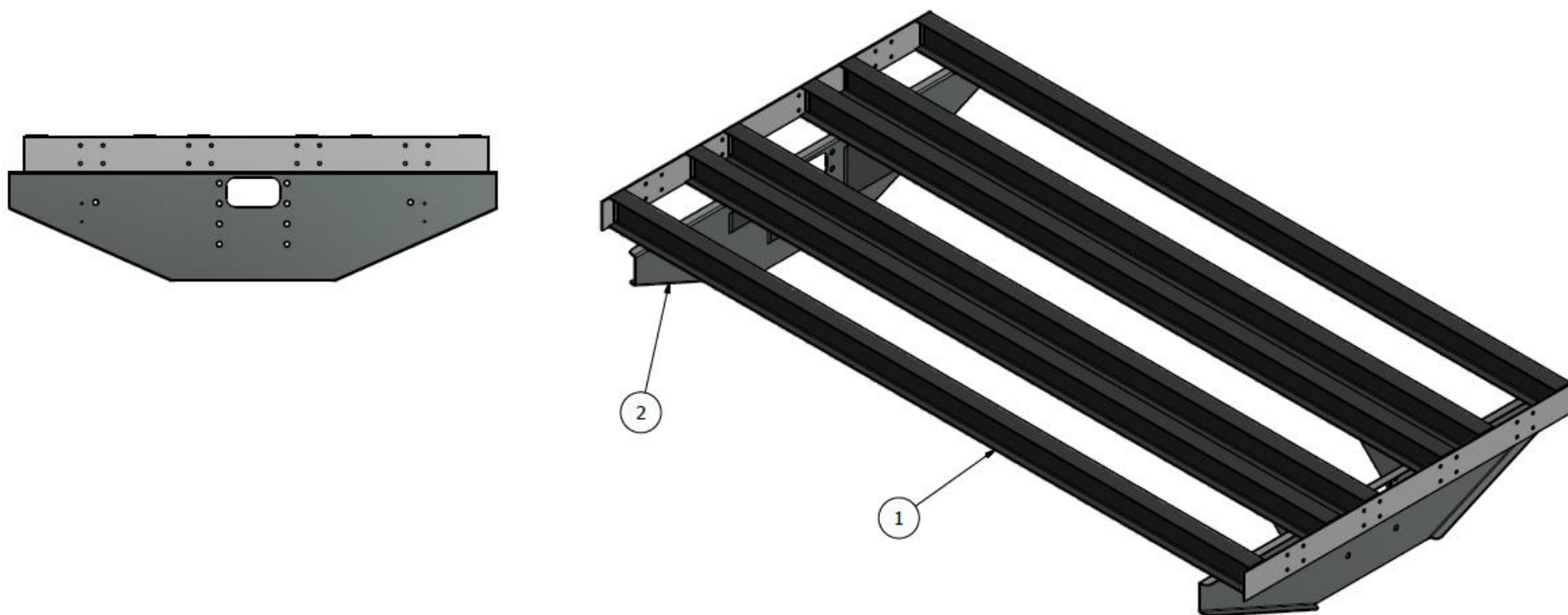
350N046



PARTS LIST			
ITEM	QTY	PART NUMBER	DESCRIPTION
1	1	3500140	CROSS SHAFT, LANDING LEG, 68.75"
2	1	3500148	LANDING LEG CRANK HANDLE
3	1	3500564	MASTER LANDING LEG, INBOARD
4	1	3500565	SLAVE LANDING LEG, INBOARD

LANDING LEG SKIRT ASSEMBLY

350N047

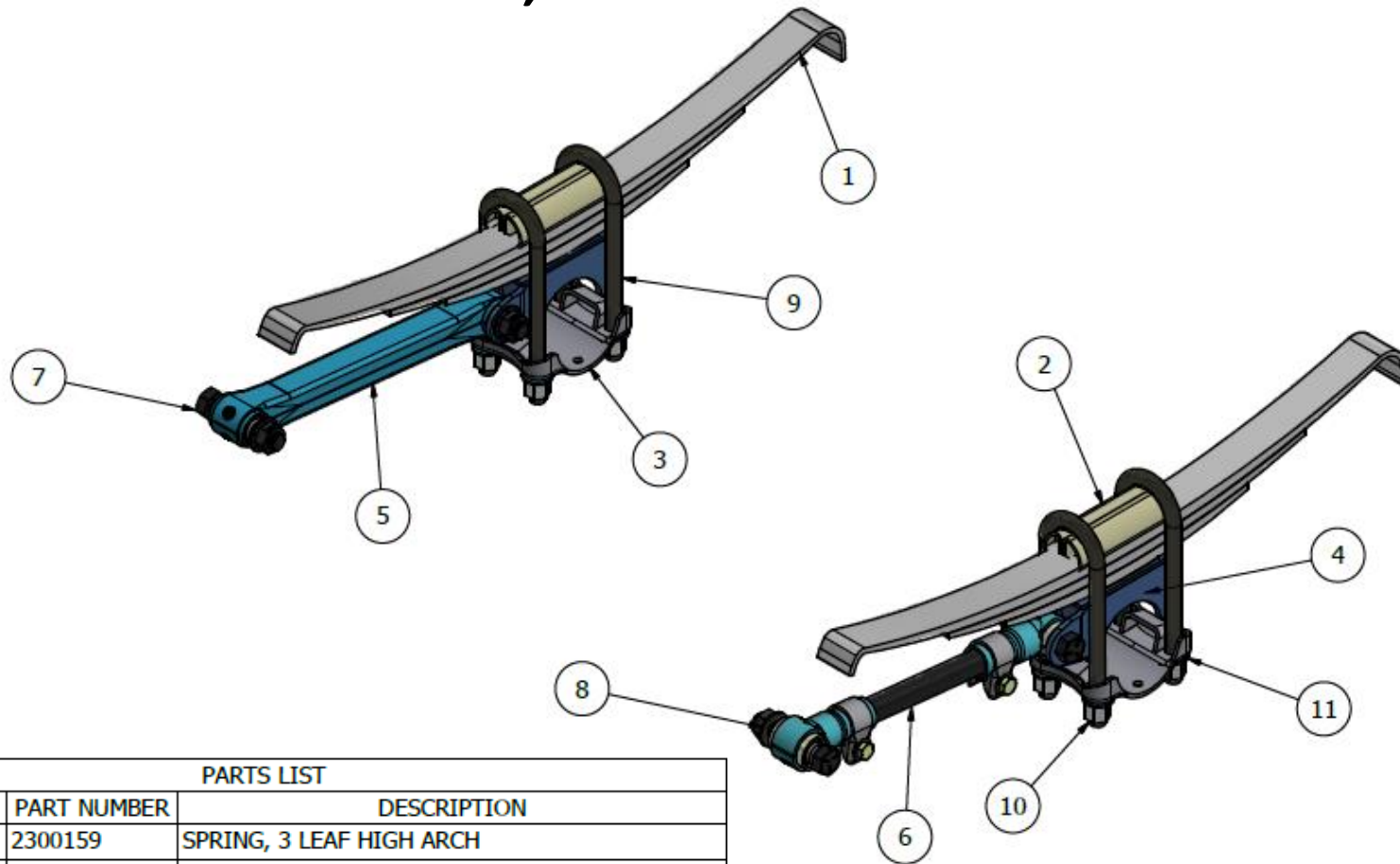


PARTS LIST			
ITEM	QTY	PART NUMBER	DESCRIPTION
1	1	320N041	L.L. CROSS MEMBER ASSEMBLY
2	2	350N048	L.L. SKIRT SUB-ASSEMBLY



**SUSPENSION ASSEMBLIES
FOR
LTL XPO TRAILERS**

SUSPENSION ASSEMBLY, 28'

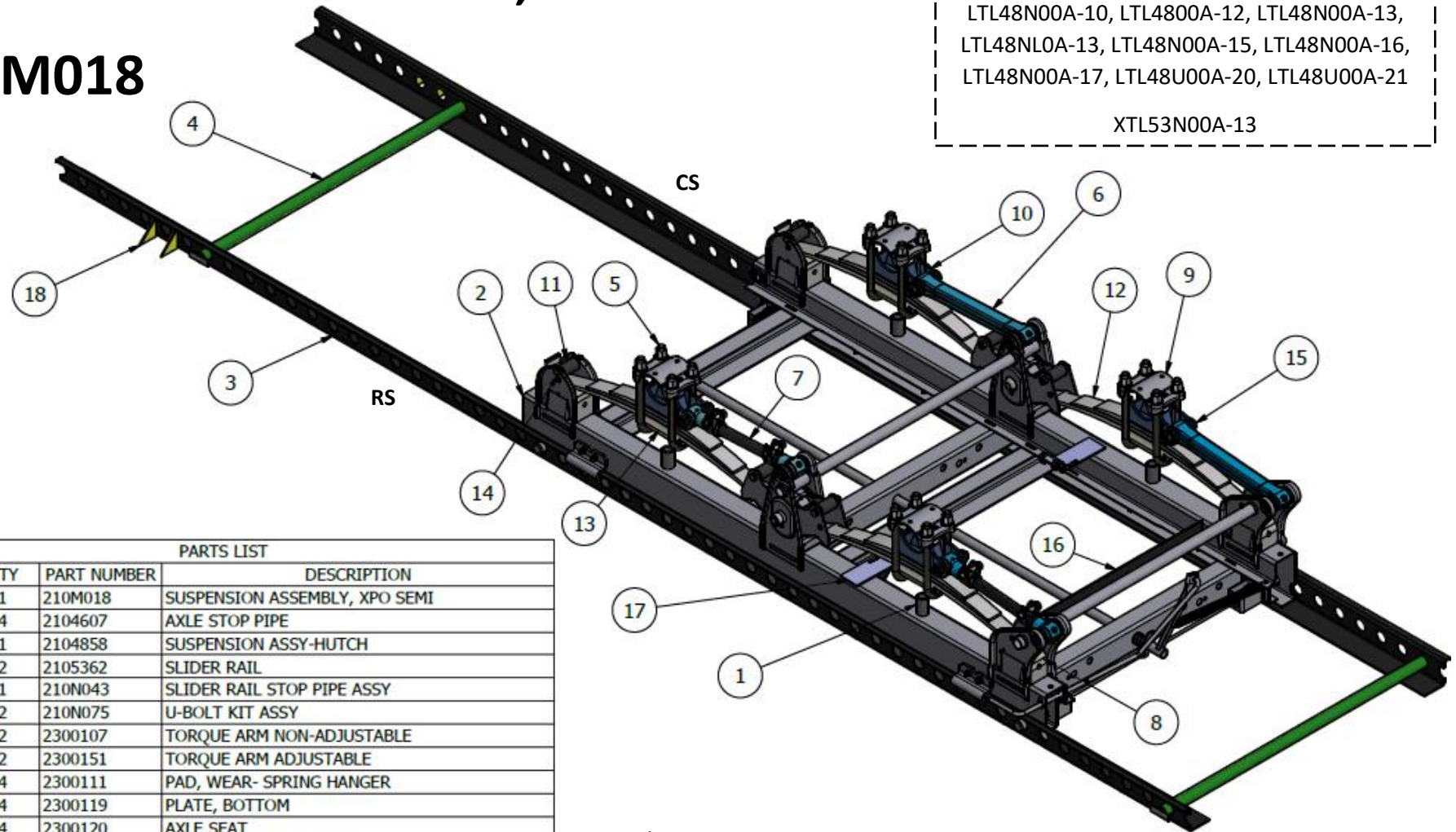


PARTS LIST			
ITEM	QTY	PART NUMBER	DESCRIPTION
1	2	2300159	SPRING, 3 LEAF HIGH ARCH
2	2	2300165	PLATE, TOP
3	2	2300119	PLATE, BOTTOM
4	2	2300120	AXLE SEAT
5	1	2300107	TORQUE ARM, NON-ADJUSTABLE
6	1	2300151	TORQUE ARM, ADJUSTABLE
7	4	6000951	BOLT, 1"-14 x 5" GRADE 5
8	4	6100951	NUT, 1"-14 FLANGE LOCK
9	4	2300904	U-BOLT, 5" ROUND 12 1/4"
10	8	6100876	NUT, 7/8-14 HIGH 2B
11	8	6200938	WASHER, 7/8" FLAT HARDENED

SUSPENSION ASSEMBLY, XPO SEMI

210M018

TRAILER MODELS:
 LTL48N00A-10, LTL4800A-12, LTL48N00A-13,
 LTL48NLOA-13, LTL48N00A-15, LTL48N00A-16,
 LTL48N00A-17, LTL48U00A-20, LTL48U00A-21
 XTL53N00A-13



PARTS LIST			
ITEM	QTY	PART NUMBER	DESCRIPTION
	1	210M018	SUSPENSION ASSEMBLY, XPO SEMI
1	4	2104607	AXLE STOP PIPE
2	1	2104858	SUSPENSION ASSY-HUTCH
3	2	2105362	SLIDER RAIL
4	1	210N043	SLIDER RAIL STOP PIPE ASSY
5	2	210N075	U-BOLT KIT ASSY
6	2	2300107	TORQUE ARM NON-ADJUSTABLE
7	2	2300151	TORQUE ARM ADJUSTABLE
8	4	2300111	PAD, WEAR- SPRING HANGER
9	4	2300119	PLATE, BOTTOM
10	4	2300120	AXLE SEAT
11	2	2300150	BUSHING, RUBBER REAR
12	4	2300159	SPRING, LEAF HIGH ARCH
13	4	2300165	PLATE, TOP 1/2 ROUND
14	4	600N005	KIT, SPRING HANGER, FASTENERS
15	8	600N006	KIT, TORQUE ARM FASTENERS
16	1	2104555	ANGLE, AIR PLATE MOUNTING
17	1	210N764	AIR TANK BRACKET ASSY
18	4	2100027	GUSSET, SLIDER RAIL SUPPORT

***INVERTED TO SHOW SUSPENSION PARTS IN DETAIL**

Go to [Hutchens Industries](http://HutchensIndustries.com) for Hutchens Parts
 (Model # 29647-03 9802 Series)

SUSPENSION ASSEMBLY-SPRING RIDE, SEMI

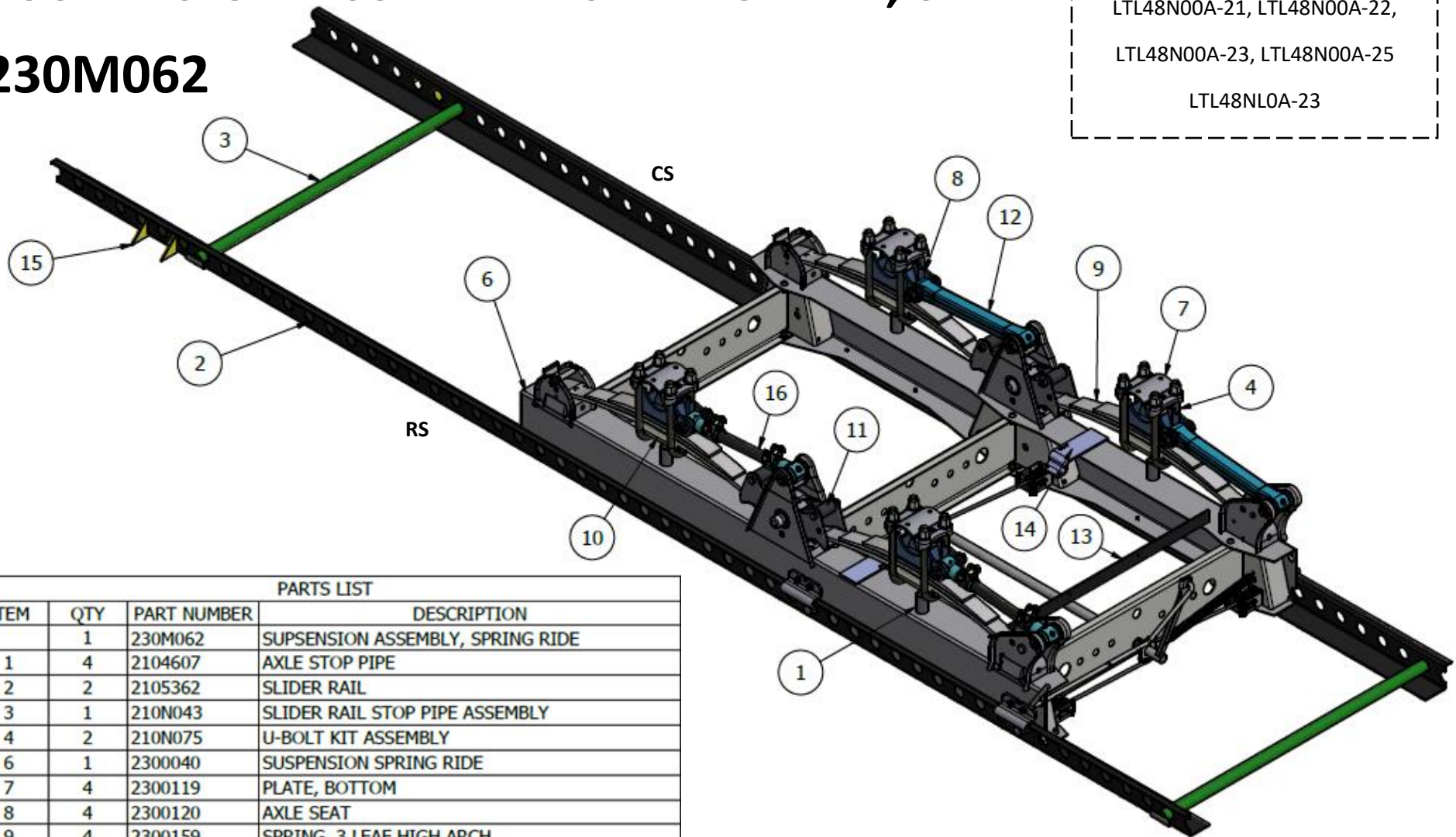
230M062

TRAILER MODELS:

LTL48N00A-21, LTL48N00A-22,

LTL48N00A-23, LTL48N00A-25

LTL48NLOA-23



PARTS LIST			
ITEM	QTY	PART NUMBER	DESCRIPTION
	1	230M062	SUPSENSON ASSEMBLY, SPRING RIDE
1	4	2104607	AXLE STOP PIPE
2	2	2105362	SLIDER RAIL
3	1	210N043	SLIDER RAIL STOP PIPE ASSEMBLY
4	2	210N075	U-BOLT KIT ASSEMBLY
6	1	2300040	SUSPENSION SPRING RIDE
7	4	2300119	PLATE, BOTTOM
8	4	2300120	AXLE SEAT
9	4	2300159	SPRING, 3 LEAF HIGH ARCH
10	4	2300165	PLATE, TOP
11	4	600N005	KIT, SPRING HANGER FASTENERS
12	2	2300107	TORQUE ARM, NON-ADJUSTABLE
13	1	2104555	ANGLE, AIR PLATE MOUNTING
14	2	2204501	AIR TANK, MOUNTING BRACKET
15	4	2100027	GUSSET, SLIDER RAIL SUPPORT
16	2	2300151	TORQUE ARM, ADJUSTABLE

***INVERTED TO SHOW SUSPENSION PARTS IN DETAIL**

Go to [Hutchens Industries](https://www.hutchensindustries.com) for Hutchens Parts
(Model # Series 10 with EZ Pull)

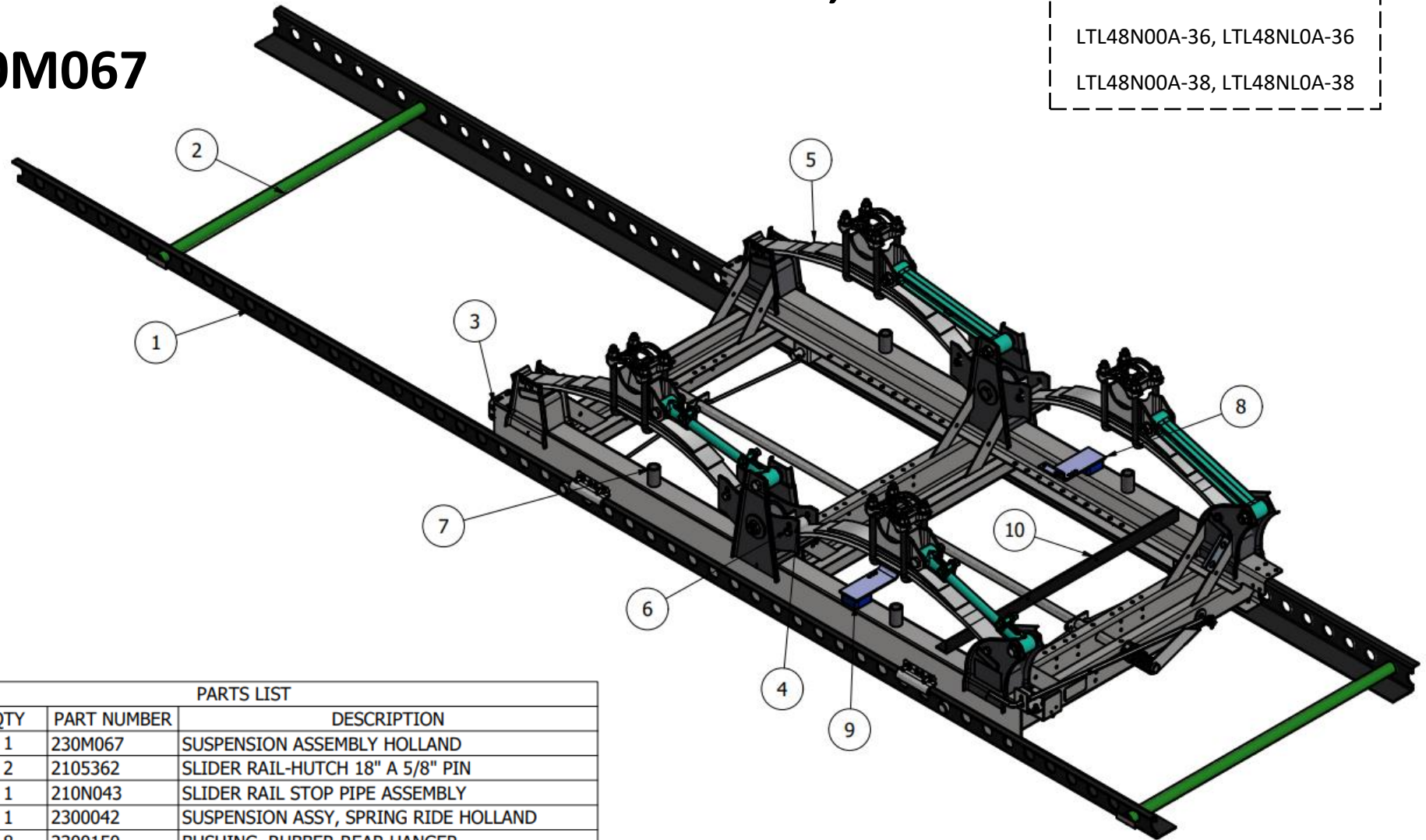
SUSPENSION ASSEMBLY-SPRING RIDE, SEMI

230M067

TRAILER MODELS:

LTL48N00A-36, LTL48NL0A-36

LTL48N00A-38, LTL48NL0A-38



PARTS LIST			
ITEM	QTY	PART NUMBER	DESCRIPTION
	1	230M067	SUSPENSION ASSEMBLY HOLLAND
1	2	2105362	SLIDER RAIL-HUTCH 18" A 5/8" PIN
2	1	210N043	SLIDER RAIL STOP PIPE ASSEMBLY
3	1	2300042	SUSPENSION ASSY, SPRING RIDE HOLLAND
4	8	2300150	BUSHING, RUBBER-REAR HANGER
5	4	2300159	SPRING, 3 LEAF HIGH ARCH
6	8	6200631	SPACER SPRINGER HANGER BOLT
7	4	2104607	AXLE STOP PIPE
8	2	2204501	BRACKET, AIR TANK
9	2	2104607	SPACER
10	1	2104565	ANGLE, AIR PLATE MOUNTING

***INVERTED TO SHOW SUSPENSION PARTS IN DETAIL**

Go to [SAFHolland](http://SAFHolland.com) for Holland Parts (Model # SXH81E4804M000)

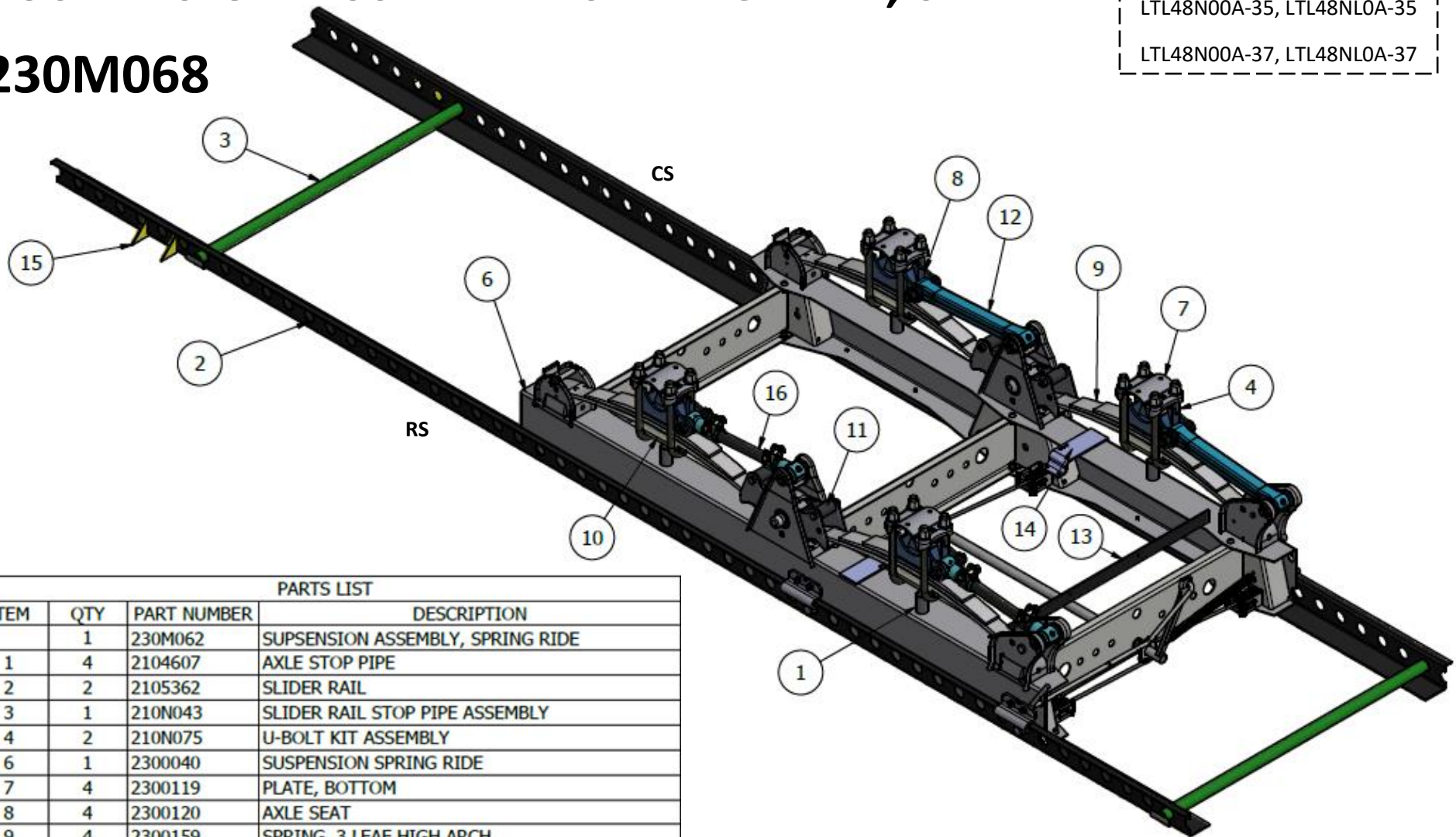
SUSPENSION ASSEMBLY-SPRING RIDE, SEMI

230M068

TRAILER MODELS:

LTL48N00A-35, LTL48NL0A-35

LTL48N00A-37, LTL48NL0A-37



PARTS LIST			
ITEM	QTY	PART NUMBER	DESCRIPTION
	1	230M062	SUPSENSON ASSEMBLY, SPRING RIDE
1	4	2104607	AXLE STOP PIPE
2	2	2105362	SLIDER RAIL
3	1	210N043	SLIDER RAIL STOP PIPE ASSEMBLY
4	2	210N075	U-BOLT KIT ASSEMBLY
6	1	2300040	SUSPENSION SPRING RIDE
7	4	2300119	PLATE, BOTTOM
8	4	2300120	AXLE SEAT
9	4	2300159	SPRING, 3 LEAF HIGH ARCH
10	4	2300165	PLATE, TOP
11	4	600N005	KIT, SPRING HANGER FASTENERS
12	2	2300107	TORQUE ARM, NON-ADJUSTABLE
13	1	2104555	ANGLE, AIR PLATE MOUNTING
14	2	2204501	AIR TANK, MOUNTING BRACKET
15	4	2100027	GUSSET, SLIDER RAIL SUPPORT
16	2	2300151	TORQUE ARM, ADJUSTABLE

***INVERTED TO SHOW SUSPENSION PARTS IN DETAIL**

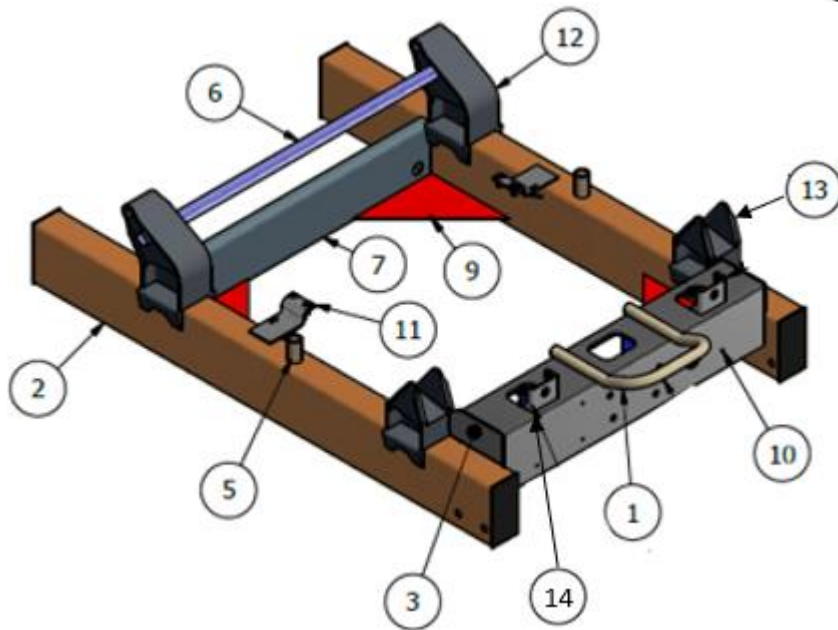
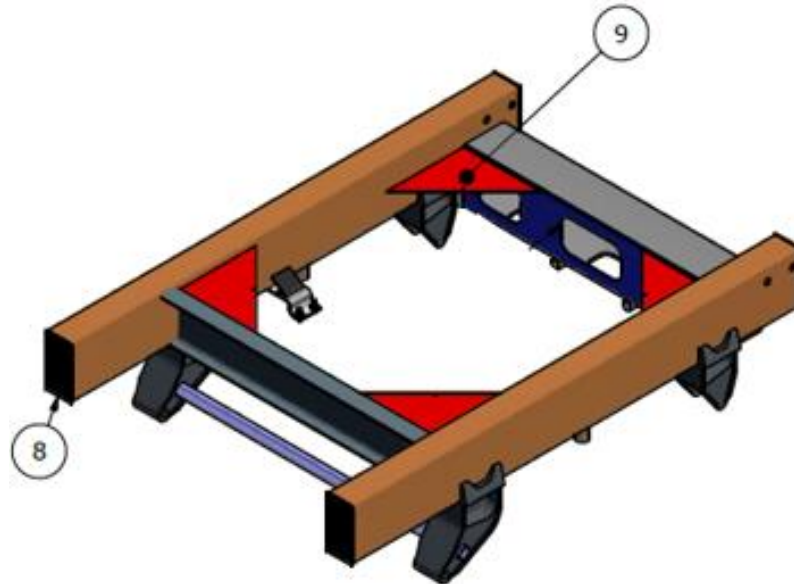
Go to [Hutchens Industries](https://www.hutchensindustries.com) for Hutchens Parts
(Model # Series 10 with EZ Pull)



**BOGIE FRAME ASSEMBLIES
FOR
LTL XPO TRAILERS**

BOGIE FRAME ASSEMBLY, LTL28'

210M100



TRAILER MODEL:

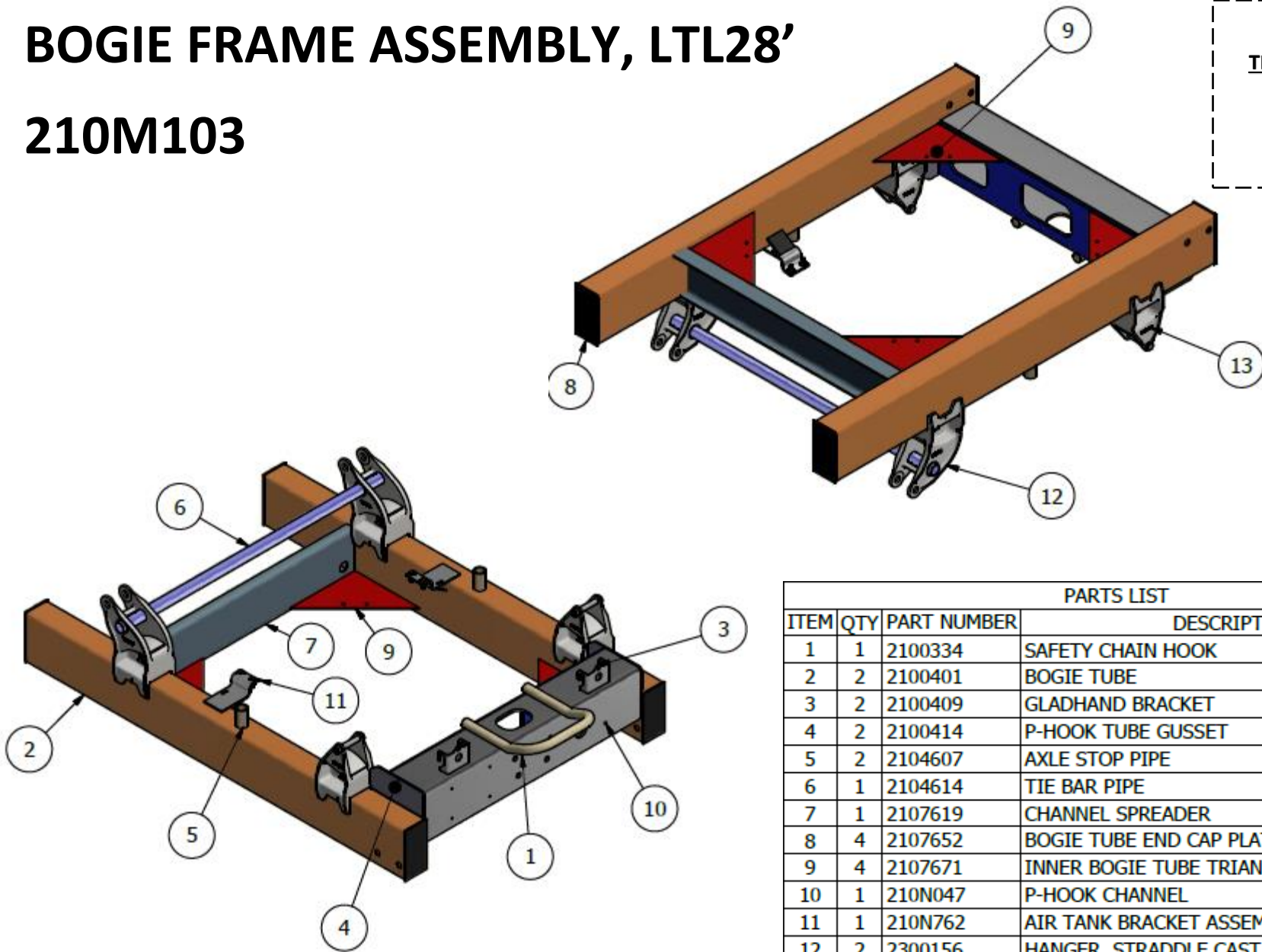
LTL28N00A-10, LTL28N00A-21, LTL28NLOA-10,
 LTL28N00A-22, LTL28N00A-12, LTL28N00A-23,
 LTL28N00A-13, LTL28N00A-24, LTL28NLOA-13,
 LTL28N00A-25, LTL28NLOB-13, LTL28N00A-26,
 LTL28N00A-14, LTL28N00A-27, LTL28N00A-15,
 LTL28P00A-27, LTL28N00A-16, LTL28NLOA-27,
 LTL28N00A-17, LTL28N00A-28, LTL28N00A-29,

PARTS LIST			
ITEM	QTY	PART NUMBER	DESCRIPTION
1	1	2100334	SAFETY CHAIN HOOK
2	2	2100401	BOGIE TUBE
3	2	2100404	P-HOOK TUBE GUSSET
5	2	2104607	AXLE STOP PIPE
6	1	2104614	TIE BAR PIPE
7	1	2107619	CHANNEL SPREADER
8	4	2107652	BOGIE TUBE END CAP PLATE
9	4	2107671	INNER BOGIE TUBE TRIANGLE GUSSET
10	1	210N041	P-HOOK CHANNEL
11	1	210N762	AIR TANK BRACKET ASSEMBLY
12	2	2300156	HANGER STRADDLE CAST-F
13	2	2300158	HANGER STRADDLE CAST-RR
14	2	2100409	GLADHAND BRACKET

BOGIE FRAME ASSEMBLY, LTL28'

210M103

TRAILER MODELS:
LTL28N00A-32



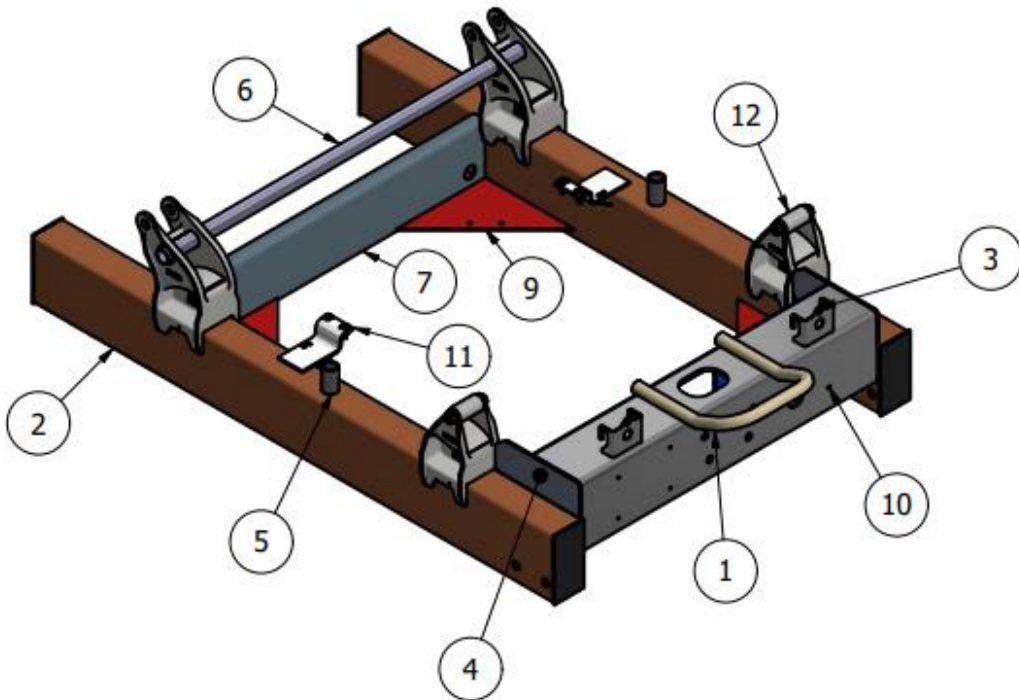
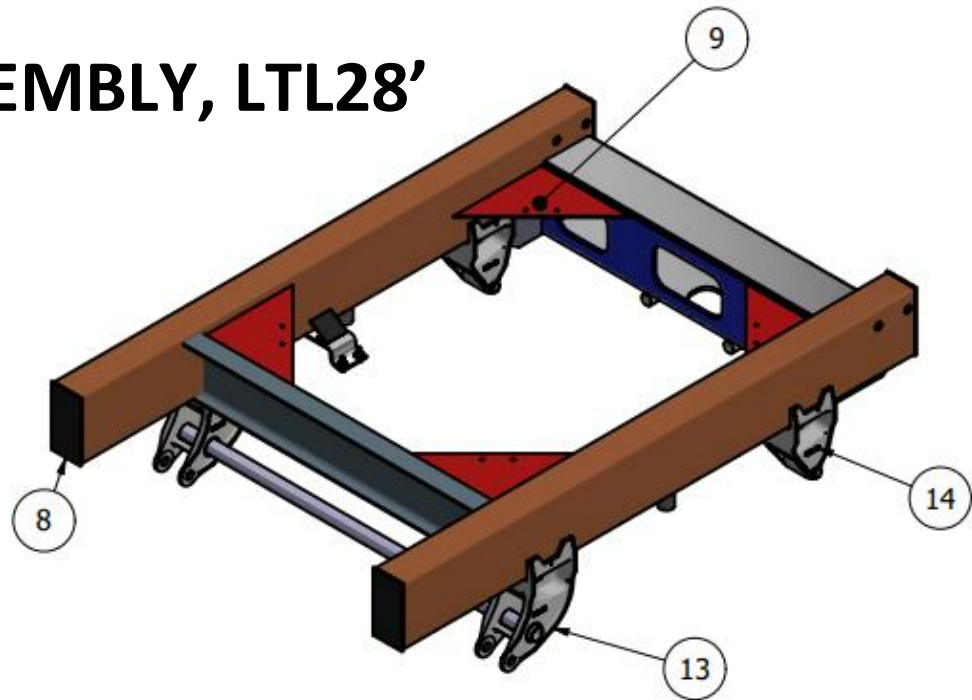
PARTS LIST			
ITEM	QTY	PART NUMBER	DESCRIPTION
1	1	2100334	SAFETY CHAIN HOOK
2	2	2100401	BOGIE TUBE
3	2	2100409	GLADHAND BRACKET
4	2	2100414	P-HOOK TUBE GUSSET
5	2	2104607	AXLE STOP PIPE
6	1	2104614	TIE BAR PIPE
7	1	2107619	CHANNEL SPREADER
8	4	2107652	BOGIE TUBE END CAP PLATE
9	4	2107671	INNER BOGIE TUBE TRIANGLE GUSSET
10	1	210N047	P-HOOK CHANNEL
11	1	210N762	AIR TANK BRACKET ASSEMBLY
12	2	2300156	HANGER, STRADDLE CAST - FRONT
13	2	2300157	HANGER, STRADDLE CAST, REAR

BOGIE FRAME ASSEMBLY, LTL28'

210M104

TRAILER MODELS:

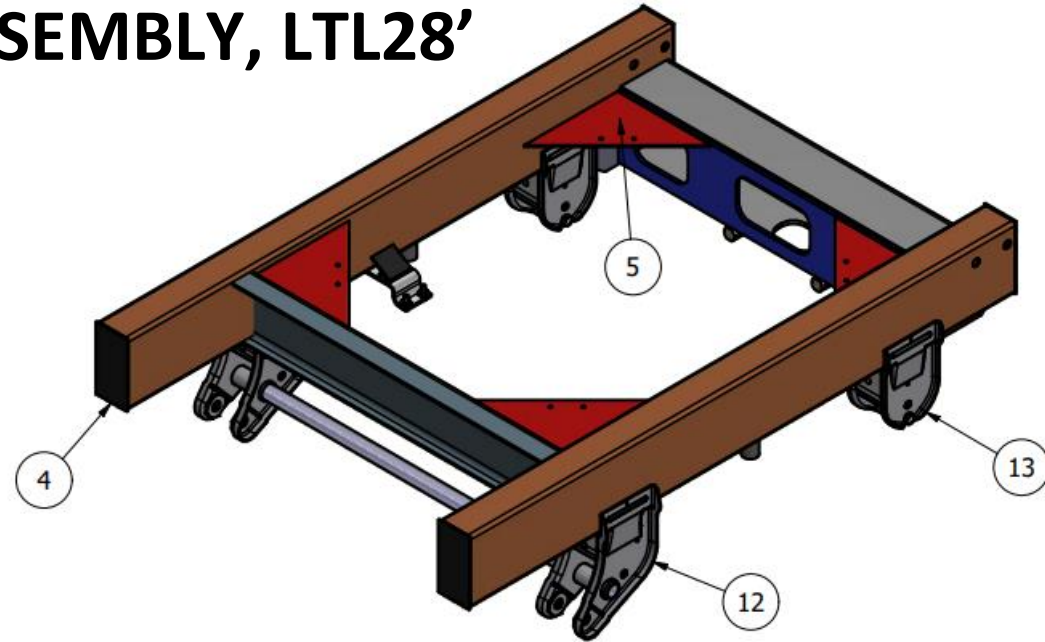
- LTL28N00A-30
- LTL28N00A-33
- LTL28N00A-34
- LTL28N00A-35



PARTS LIST			
ITEM	QTY	PART NUMBER	DESCRIPTION
1	1	2100334	SAFETY CHAIN HOOK
2	2	2100401	BOGIE TUBE
3	2	2100409	GLADHAND BRACKET
4	2	2100420	P-HOOK TUBE GUSSET
5	2	2104607	AXLE STOP PIPE
6	1	2104614	TIE BAR PIPE
7	1	2107619	CHANNEL SPREADER
8	4	2107652	BOGIE TUBE END CAP PLATE
9	4	2107671	INNER BOGIE TUBE TRIANGLE GUSSET
10	1	210N047	P-HOOK CHANNEL
11	1	210N762	AIR TANK BRACKET ASSEMBLY
12	2	2300150	BUSHING, RUBBER - REAR
13	2	2300156	HANGER, STRADDLE CAST - FRONT
14	2	2300157	HANGER, STRADDLE CAST, REAR

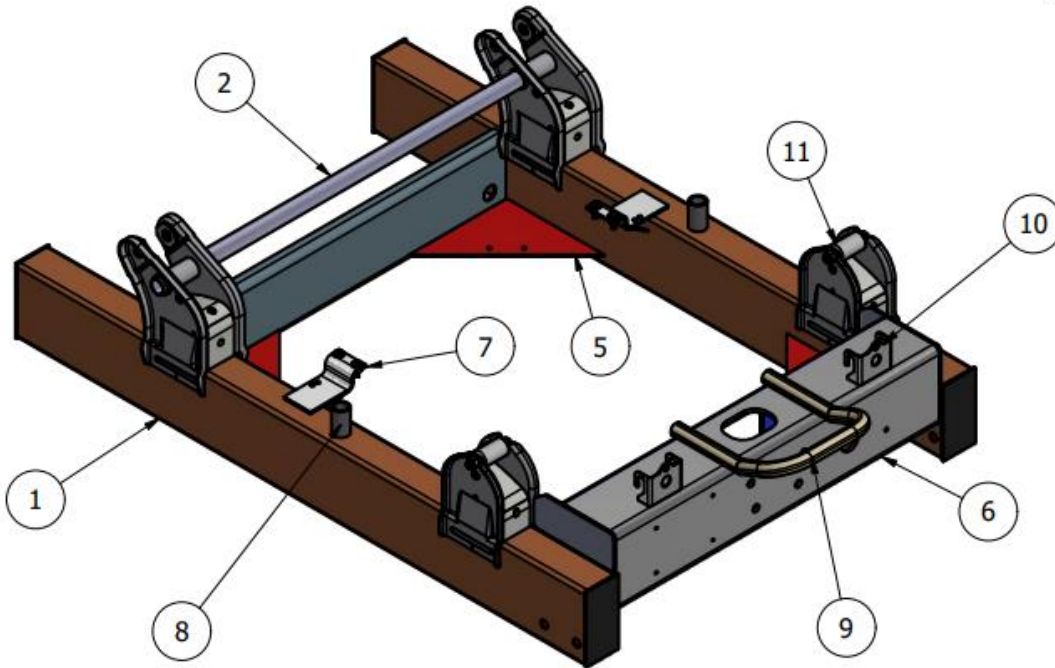
BOGIE FRAME ASSEMBLY, LTL28'

210M114



THIS ASSEMBLY CONTAINS FABRICATED SPRING HANGERS.

ONLY USED WHEN CAST SPRING HANGERS ARE UNAVAILABLE



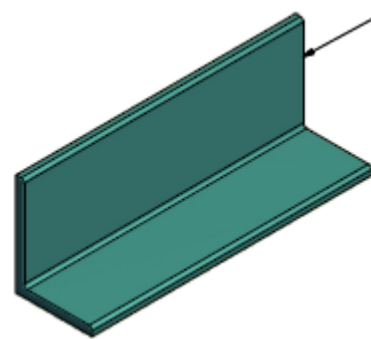
PARTS LIST			
ITEM	QTY	PART NUMBER	DESCRIPTION
1	2	2100401	BOGIE TUBE
2	1	2104614	TIE BAR PIPE
3	1	2107619	CHANNEL SPREADER
4	4	2107652	BOGIE TUBE END CAP PLATE
5	4	2107671	REAR GUSSET
6	1	210N047	P-HOOK CHANNEL
7	1	210N762	AIT TANK BRACKET ASSEMBLY
8	2	2104607	AXLE STOP PIPE
9	1	2100334	SAFETY CHAIN LOOP
10	2	2100409	GLADHAND BRACKET
11	2	2300150	BUSHING, RUBBER - REAR
12	2	2300232	HANGER, STRADDLE STEEL-F
13	2	2300233	HANGER, STRADDLE STEEL-REAR
14	2	2100430	P-HOOK TUBE GUSSET FOR STEEL HANGERS

BOGIE FRAME ASSEMBLY, LTL28' LIFTGATE

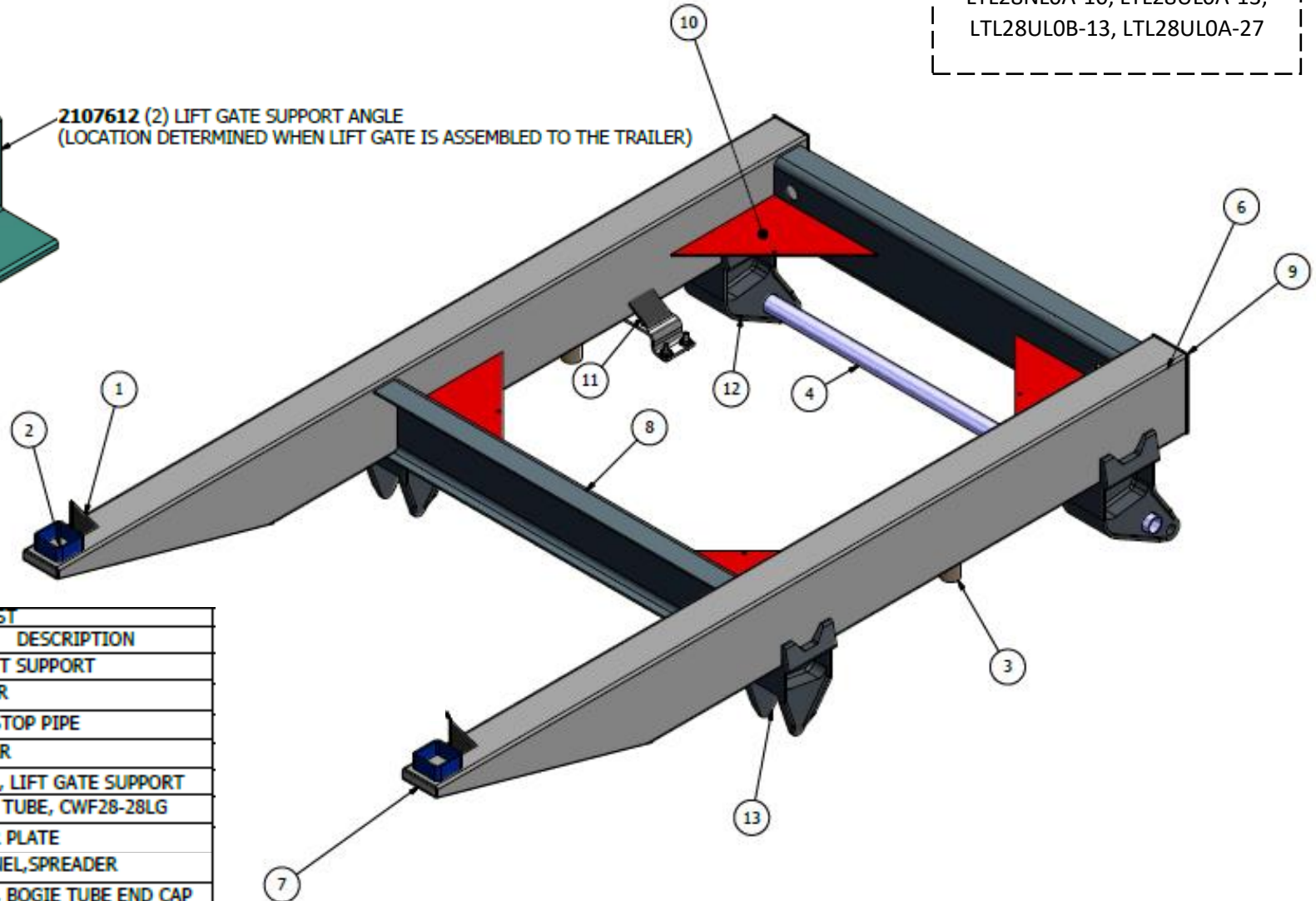
210M205

TRAILER MODELS:

LTL28NLOA-10, LTL28ULOA-13,
LTL28ULOB-13, LTL28ULOA-27



2107612 (2) LIFT GATE SUPPORT ANGLE
(LOCATION DETERMINED WHEN LIFT GATE IS ASSEMBLED TO THE TRAILER)

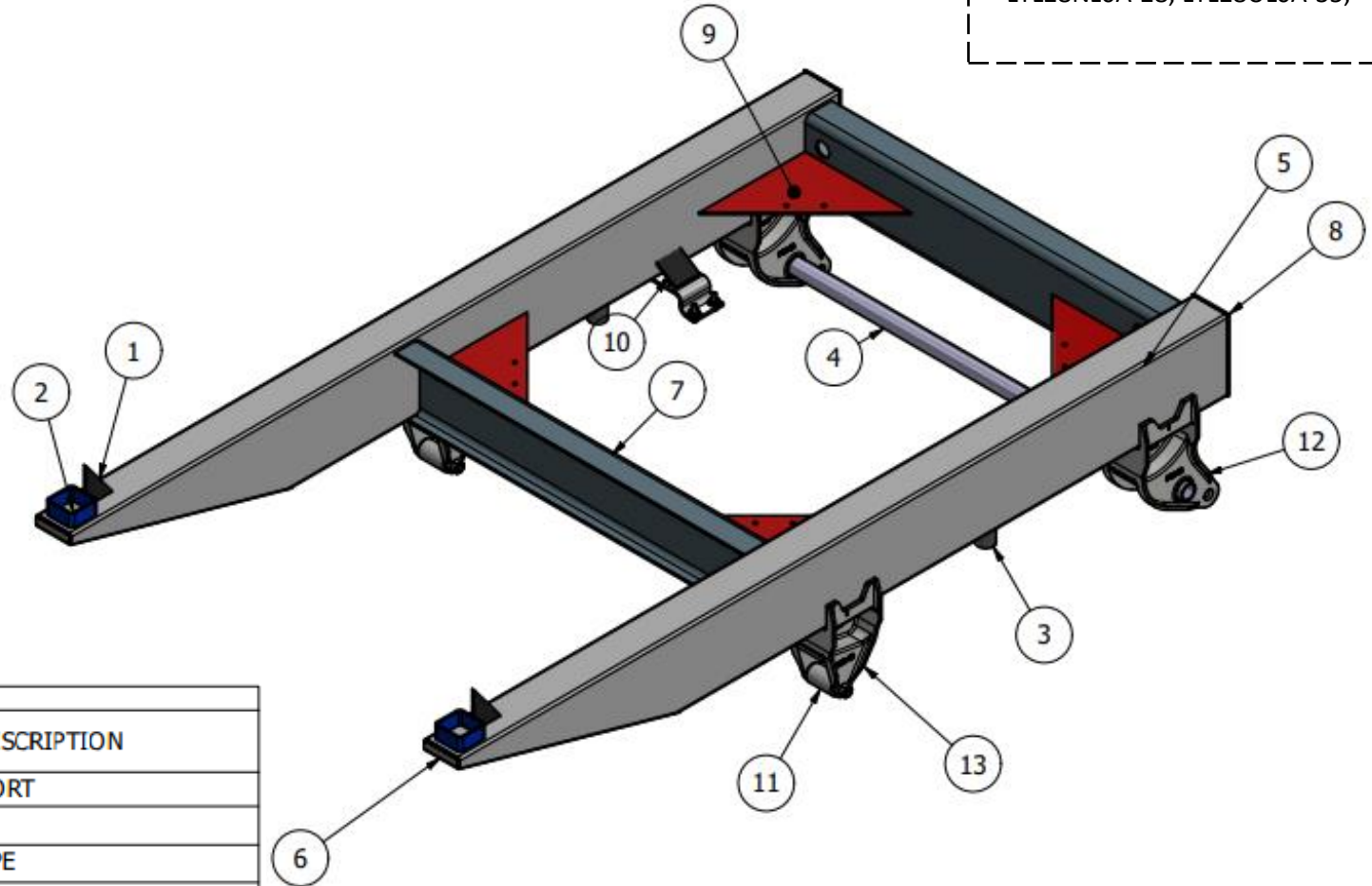


PARTS LIST

ITE	QT	PART NUMBE	DESCRIPTION
1	2	2100204	GUSSET SUPPORT
2	2	2100225	SPACER
3	2	2104607	AXLE STOP PIPE
4	1	2104614	TIE BAR
5	2	2107612	ANGLE, LIFT GATE SUPPORT
6	2	2107613	BOGIE TUBE, CWF28-28LG
7	2	2107614	COVER PLATE
8	2	2107619	CHANNEL, SPREADER
9	2	2107652	PLATE, BOGIE TUBE END CAP
10	4	2107671	GUSSET, INNER BOGIE TUBE
11	1	210N762	BRACKET, AIR TANK AY
12	2	2300156	HANGER, STRADDLE CAST-F
13	2	2300157	HANGER, STRADDLE CAST RR

BOGIE FRAME ASSEMBLY, LTL28' LIFTGATE 210M105

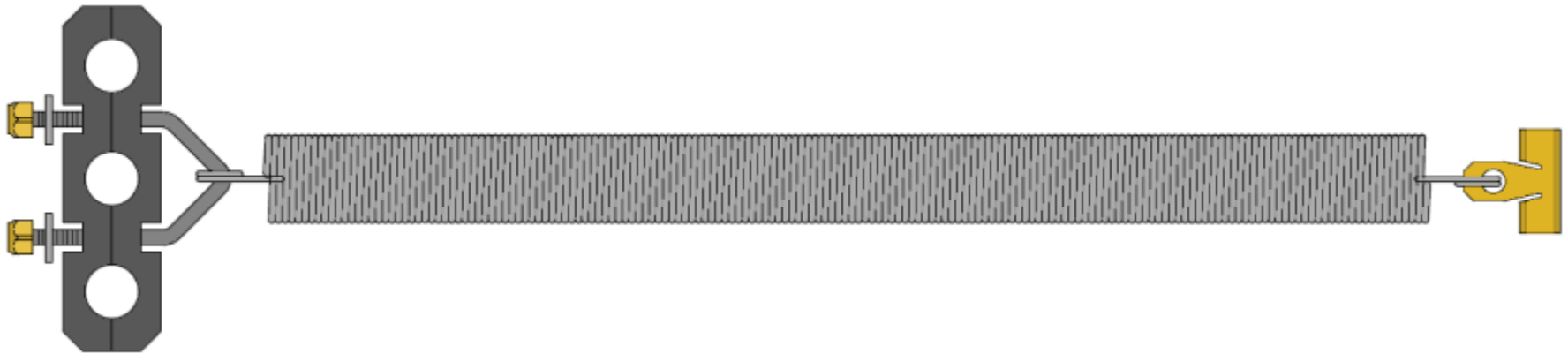
TRAILER MODELS:
LTL28NL0A-28, LTL28UL0A-35,



PARTS LIST			
ITEM	QTY	PART NUMBER	DESCRIPTION
1	2	2100204	GUSSET SUPPORT
2	2	2100225	SPACER
3	2	2104607	AXLE STOP PIPE
4	1	2104614	TIE BAR
5	2	2107613	BOGIE TUBE, CWF28-28LG
6	2	2107614	COVER PLATE
7	2	2107619	CHANNEL,SPREADER
8	2	2107652	PLATE, BOGIE TUBE END CAP
9	4	2107671	GUSSET, INNER BOGIE TUBE
10	1	210N762	BRACKET, AIR TANK AY
11	2	2300150	BUSHING, RUBBER - REAR
12	2	2300156	HANGER. STRADDLE CAST-F
13	2	2300157	HANGER, STRADDLE CAST RR

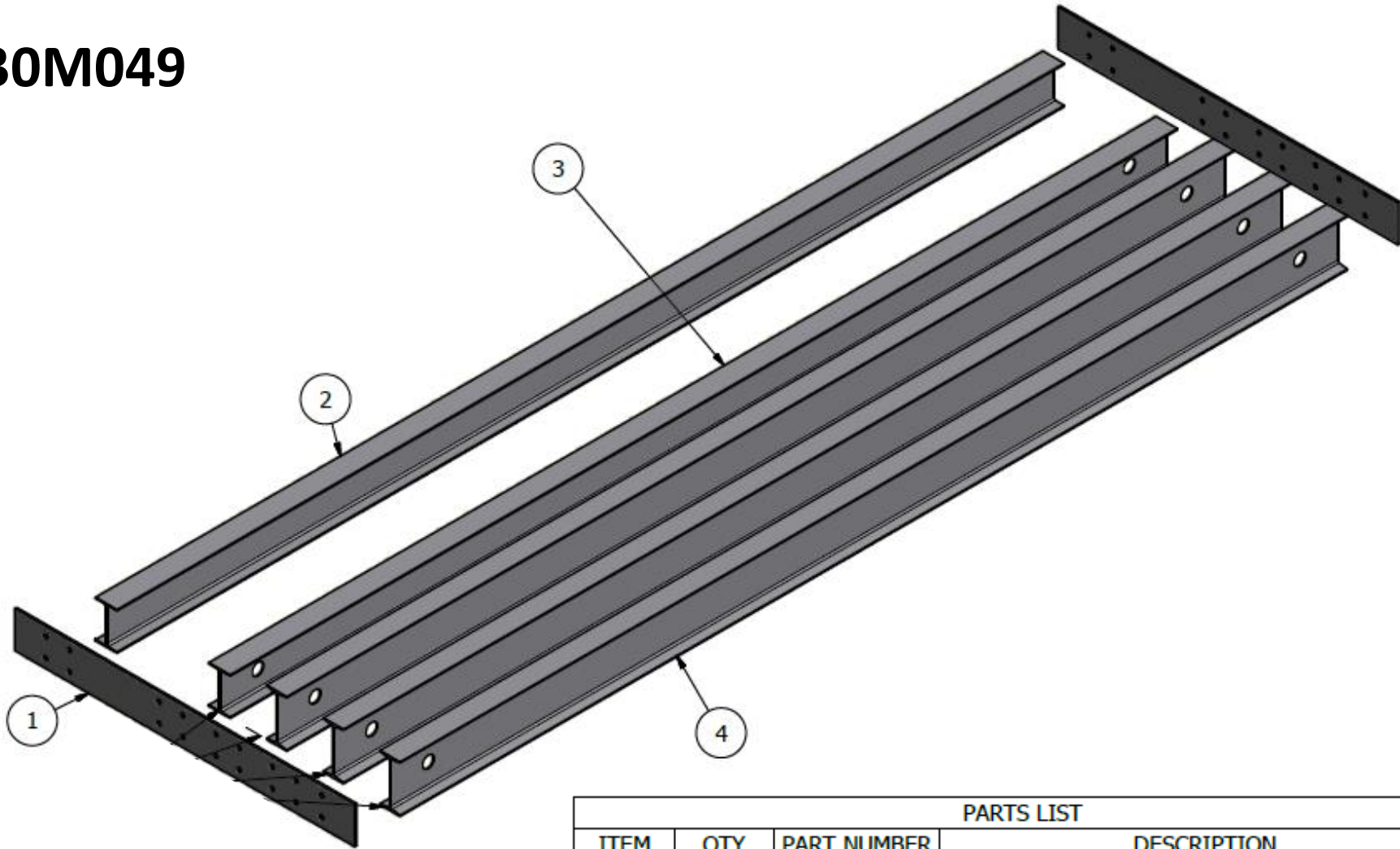
SPRING SLIDER HOSE SUPPORT, XPO SEMI

210N071



BOGIE SUBFRAME ASSEMBLY

330M049



PARTS LIST			
ITEM	QTY	PART NUMBER	DESCRIPTION
1	2	2100370	BOGIE SIDE PLATE
2	1	3307680	4" STEEL I-BEAM
3	1	3307683	I-BEAM, 4" x 100 3/8" 80 KSI
4	3	3307684	I-BEAM, 5" x 100 3/8", 80 KSI

BOGIE SUBFRAME EXTENDED SIDEPLATE ASSEMBLY

330M052

TRAILER MODELS:

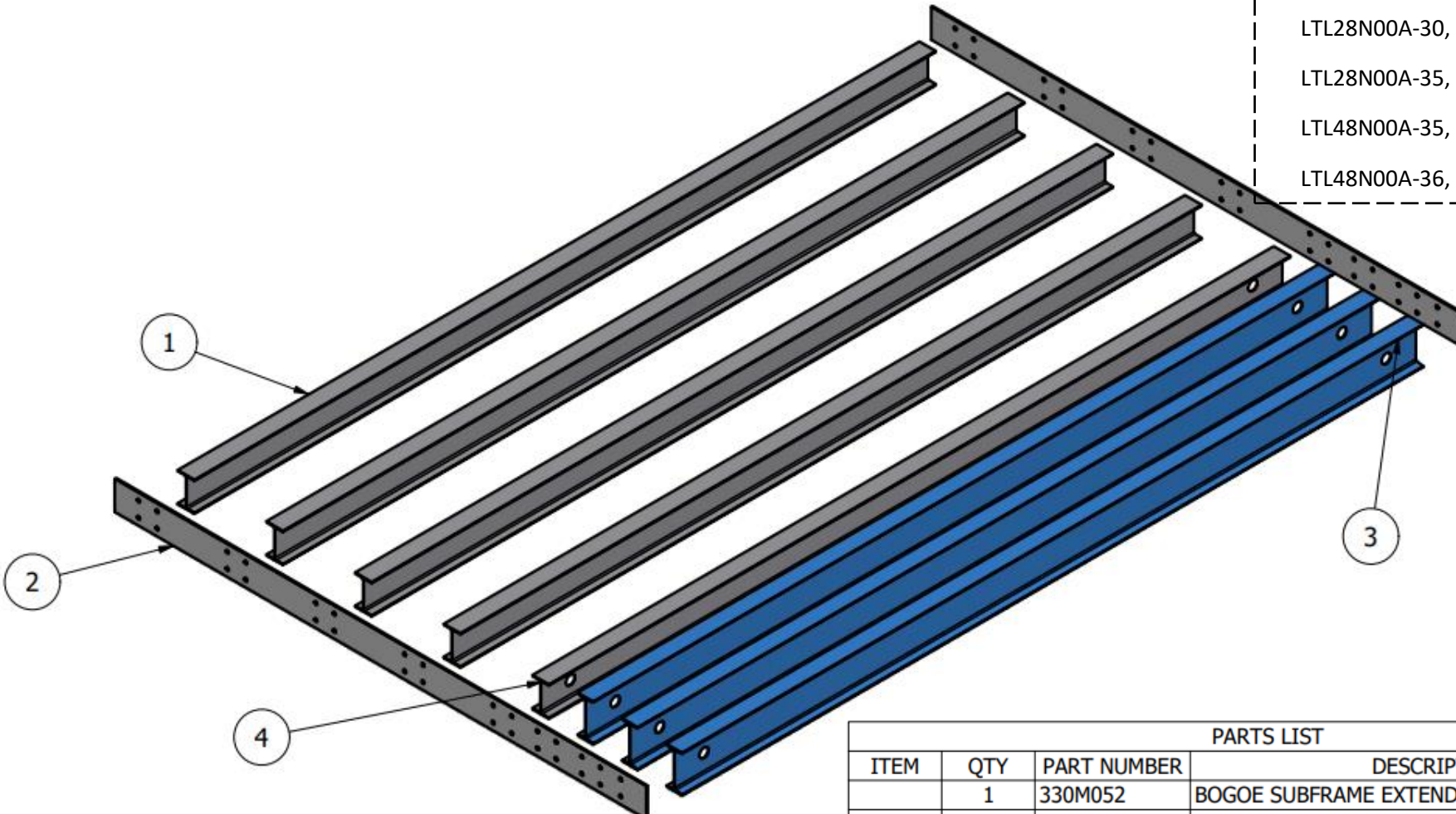
LTL28N00A-28, LTL28NL0A-28

LTL28N00A-30, LTL28NL0A-30

LTL28N00A-35, LTL28NL0A-35

LTL48N00A-35, LTL48NL0A-35

LTL48N00A-36, LTL48NL0A-36



PARTS LIST			
ITEM	QTY	PART NUMBER	DESCRIPTION
	1	330M052	BOGIE SUBFRAME EXTENDED SIDEPLATE ASSY
1	4	3307680	I-BEAM, 4" x 100 3/8" 80 KSI
2	2	3300035	BOGIE SUB-FRAME SIDE PLATE
3	3	3307684	I-BEAM, 5" x 100 3/8", 80 KSI
4	1	3307683	I-BEAM, 4" x 100 3/8" 80 KSI



AXLE ASSEMBLIES FOR LTL TRAILERS

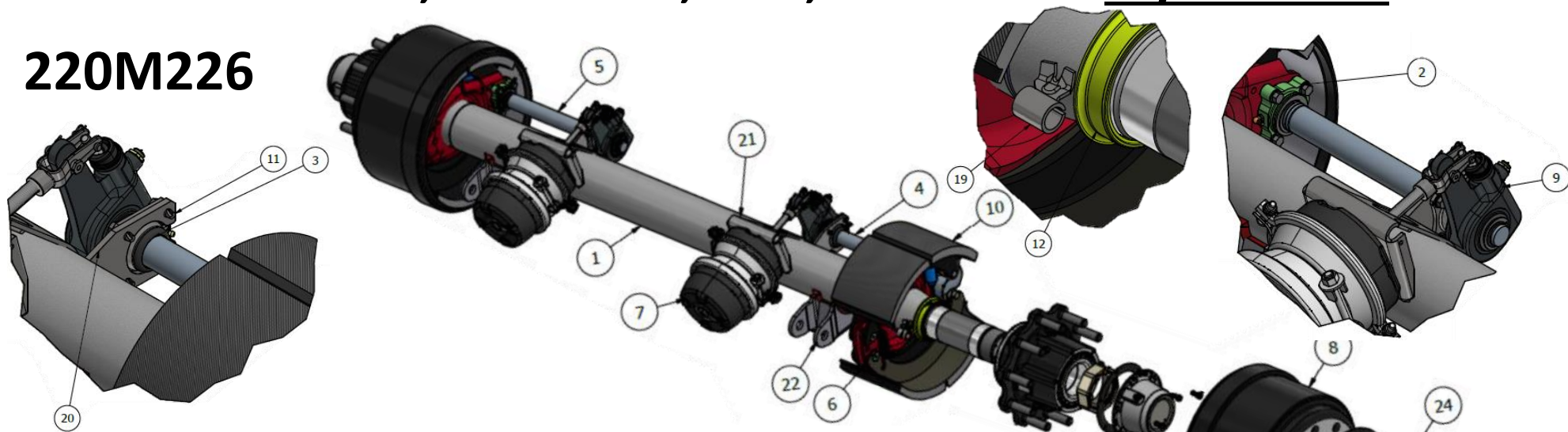
Refer to:

220M226 for Parallel Axles

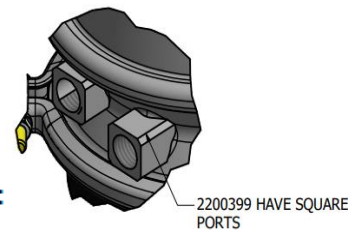
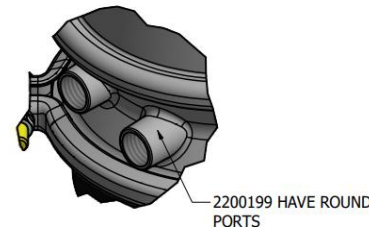
220M229 for Tapered Axles

AXLE ASSEMBLY, PARALLEL, ABS, 5" ROUND W/ GREASE

220M226



PARTS LIST			
ITEM	QTY	PART NUMBER	DESCRIPTION
	1	220M226	AXLE ASSEMBLY, 5" ROUND, TAPERED
1	1	2200312	AXLE, 5" ROUND W/ S-CAMS 102"
2	2	2200144	CAMSHAFT REPAIR KIT, BOLT ON BUSHING BLOCK
3	1	2200090	CAMSHAFT REPAIR KIT Q+
4	1	2200091	CAMSHAFT L.H. Q+
5	1	2200092	CAMSHAFT R.H. Q+
6	2	2200142	BRAKE REPAIR KIT Q+, SPRING AND ROLLERS
7	2	2200199	AIR BRAKE CHAMBERS
8	2	2200282	BRAKE DRUM 16.5" x 8"
9	2	2200315	AUTO SLACK W/ THREADED CLEVIS
10	4	2200464	BRAKE SHOE, SINGLE
11	8	6000529	BRACKET RETAINER BOLTS
12	2	2200061	WHEEL SEAL HP GUARDIAN PARALLEL
13	20	2200337 2200229	WHEEL STUD HUB PILOTED
14	2	2200227	HUB CAP PARALLEL
15	12	6000310	BOLT 5/16" GRADE 8
16	12	6200313	WASHER 5/16" LOCK
17	2	2200064	AXLE NUT, PRO-TORQUE
18	2	2200063	GASKET, HUB CAP PARALLEL
19	2	2200240	ABS, SENSOR MOUNTING BRACKET
20	2	2200093	CAMSHAFT SUPPORT BRACKET
21	2	2200138	AIR BRAKE CHAMBER MOUNTING BRACKET
22	2	2300123	AXLE SEAT, 3/4" - 5" ROUND
23	4	2200232	WHEEL GUARD
24	20	2405302	WHEEL NUT, PILOTED HUB
25	2	2200307	HUB, PRE-SET, IRON, PARALLEL

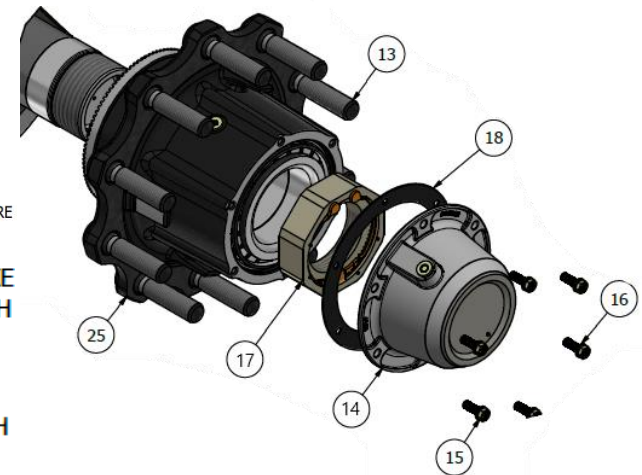


NOTE:

AXLES WITH 2 1/2" STROKE AIR BRAKE CHAMBER MUST BE REPLACED WITH 2200199

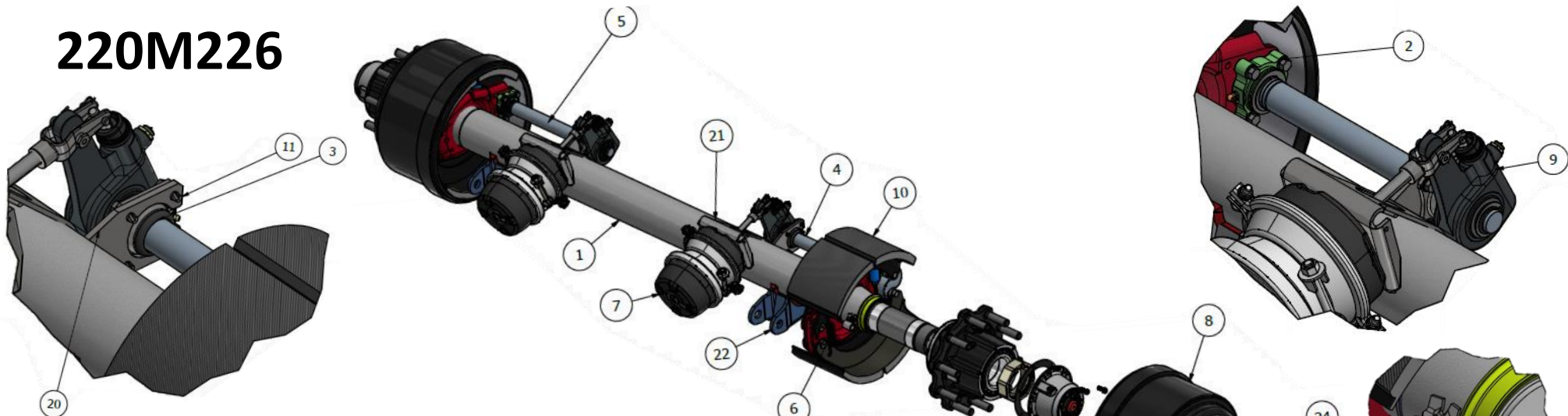
AXLES WITH 3" STROKE AIR BRAKE CHAMBERS MUST BE REPLACE WITH 2200399

AIR BRAKE CHAMBERS CANNOT BE MISMATCHED ON STROKE!

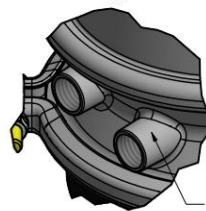


AXLE ASSEMBLY, PARALLEL, ABS, 5" ROUND W/ OIL

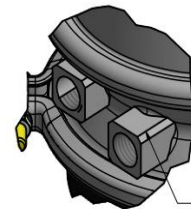
220M226



PARTS LIST			
ITEM	QTY	PART NUMBER	DESCRIPTION
	1	220M226	AXLE ASSEMBLY, 5" ROUND, TAPERED
1	1	2200312	AXLE, 5" ROUND W/ S-CAMS 102"
2	2	2200144	CAMSHAFT REPAIR KIT, BOLT ON BUSHING BLOCK
3	1	2200090	CAMSHAFT REPAIR KIT Q+
4	1	2200091	CAMSHAFT L.H. Q+
5	1	2200092	CAMSHAFT R.H. Q+
6	2	2200142	BRAKE REPAIR KIT Q+, SPRING AND ROLLERS
7	2	2200199	AIR BRAKE CHAMBERS
8	2	2200282	BRAKE DRUM 16.5" x 8"
9	2	2200315	AUTO SLACK W/ THREADED CLEVIS
10	4	2200464	BRAKE SHOE, SINGLE
11	8	6000529	BRACKET RETAINER BOLTS
12	2	2200061	WHEEL SEAL HP GUARDIAN PARALLEL
13	20	2200237	WHEEL STUD HUB PILOTED
14	2	2200227	HUB CAP PARALLEL
15	12	6000310	BOLT 5/16" GRADE 8
16	12	6200313	WASHER 5/16" LOCK
17	2	2200064	AXLE NUT, PRO-TORQUE
18	2	2200063	GASKET, HUB CAP PARALLEL
19	2	2200240	ABS, SENSOR MOUNTING BRACKET
20	2	2200093	CAMSHAFT SUPPORT BRACKET
21	2	2200138	AIR BRAKE CHAMBER MOUNTING BRACKET
22	2	2300123	AXLE SEAT, 3/4" - 5" ROUND
23	4	2200232	WHEEL GUARD
24	20	2405302	WHEEL NUT, PILOTED HUB
25	2	2200307	HUB, PRE-SET, IRON, PARALLEL



2200199 HAVE ROUND



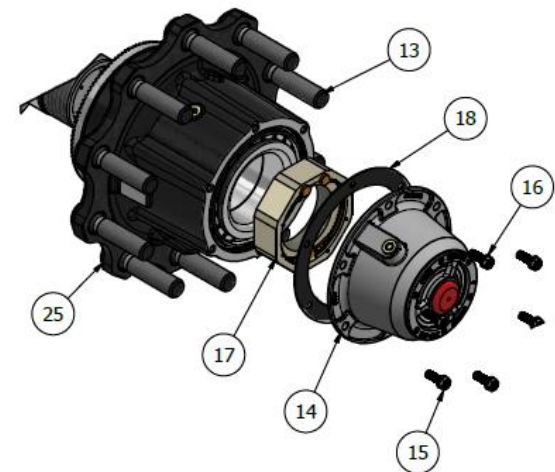
2200399 HAVE SQUARE PORTS

NOTE:

AXLES WITH 2 1/2" STROKE AIR BRAKE CHAMBER MUST BE REPLACED WITH 2200199

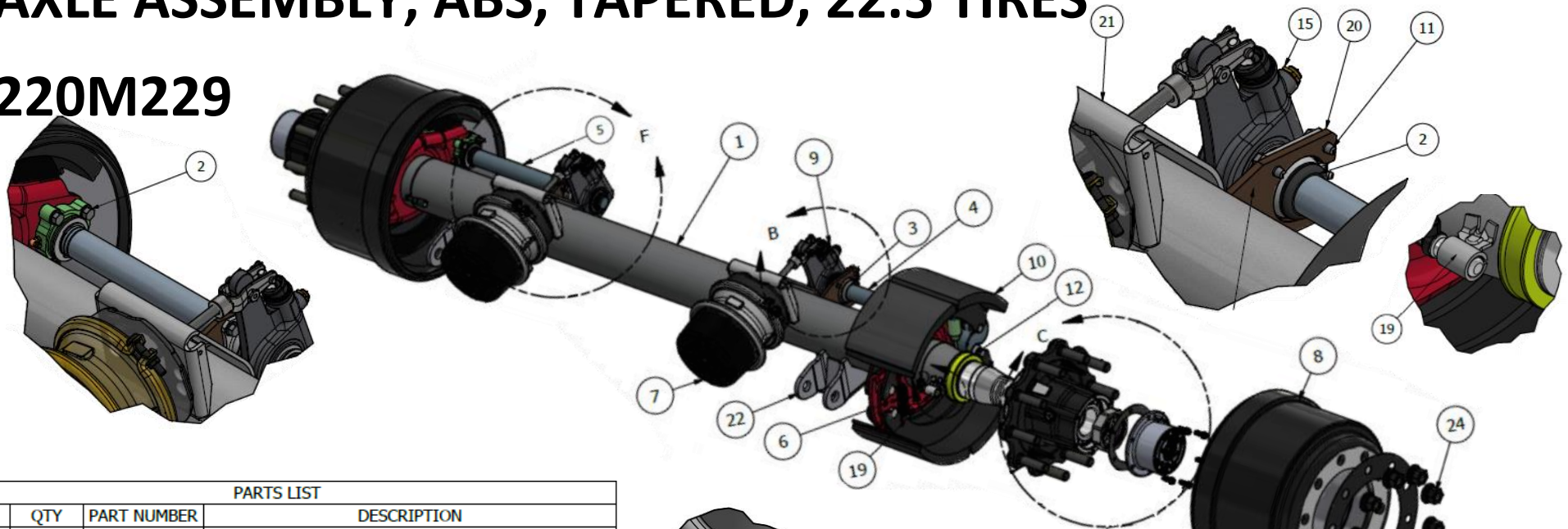
AXLES WITH 3" STROKE AIR BRAKE CHAMBERS MUST BE REPLACE WITH 2200399

AIR BRAKE CHAMBERS CANNOT BE MISMATCHED ON STROKE!

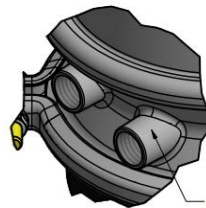


AXLE ASSEMBLY, ABS, TAPERED, 22.5 TIRES

220M229



PARTS LIST			
ITEM	QTY	PART NUMBER	DESCRIPTION
	1	220M229	AXLE ASSEMBLY, 5" ROUND, TAPERED
1	1	2200001	AXLE, 5" ROUND W/ S-CAMS 102"
2	2	2200144	CAMSHAFT REPAIR KIT, BOLT ON BUSHING BLOCK
3	1	2200090	CAMSHAFT REPAIR KIT Q+
4	1	2200091	CAMSHAFT L.H. Q+
5	1	2200092	CAMSHAFT R.H. Q+
6	2	2200142	BRAKE REPAIR KIT Q+, SPRING AND ROLLERS
7	2	2200199	AIR BRAKE CHAMBERS
8	2	2200282	BRAKE DRUM 16.5" x 8"
9	2	2200315	AUTO SLACK W/ THREADED CLEVIS
10	4	2200464	BRAKE SHOE, SINGLE
11	8	6000529	BRACKET RETAINER BOLTS
12	2	2200181	WHEEL SEAL HP GUARDIAN TAPERED
13	20	2200237	WHEEL STUD HUB PILOTED
14	2	2200270	HUB CAP TAPERED
15	12	6000310	BOLT 5/16" GRADE 8
16	12	6200313	WASHER 5/16" LOCK
17	2	9100203	AXLE NUT, PRO-TORQUE
18	2	2200187	GASKET, HUB CAP TAPERED
19	2	2200240	ABS, SENSOR MOUNTING BRACKET
20	2	2200093	CAMSHAFT SUPPORT BRACKET
21	2	2200138	AIR BRAKE CHAMBER MOUNTING BRACKET
22	2	2300123	AXLE SEAT, 3/4" - 5" ROUND
23	4	2200232	WHEEL GUARD
24	20	2405302	WHEEL NUT, PILOTED HUB
25	2	2200317	HUB, PRE-SET, IRON, TAPERED



2200199 HAVE ROUND PORTS



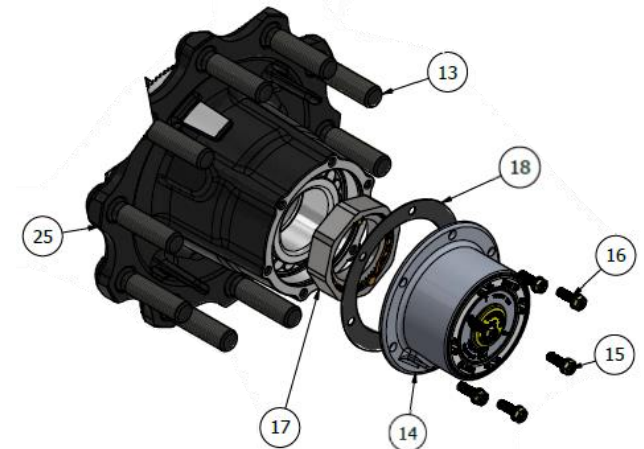
2200399 HAVE SQUARE PORTS

AXLES WITH 2 1/2" STROKE AIR BRAKE CHAMBER MUST BE REPLACED WITH 2200199

AXLES WITH 3" STROKE AIR BRAKE CHAMBERS MUST BE REPLACE WITH

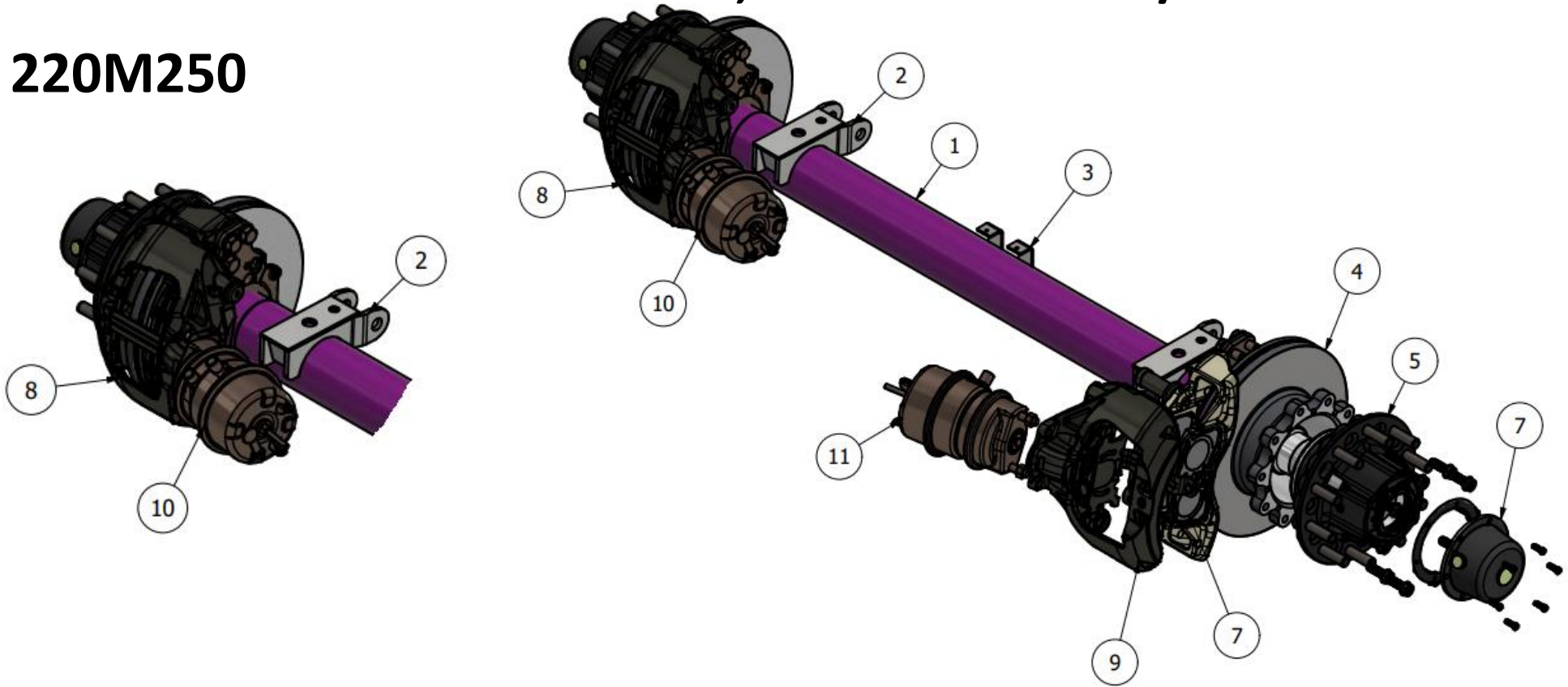
2200399

AIR BRAKE CHAMBERS CANNOT BE MISMATCHED ON STROKE!

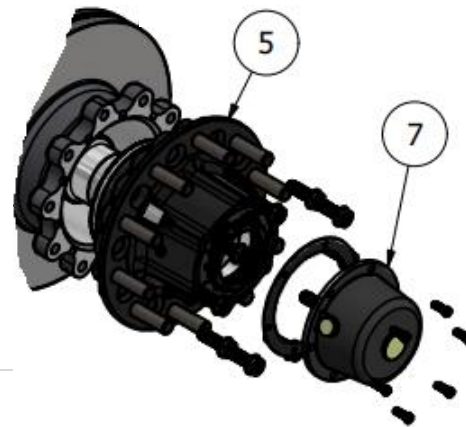


AXLE AND WHEEL ASSEMBLY, DISC BRAKES W/ OIL

220M250

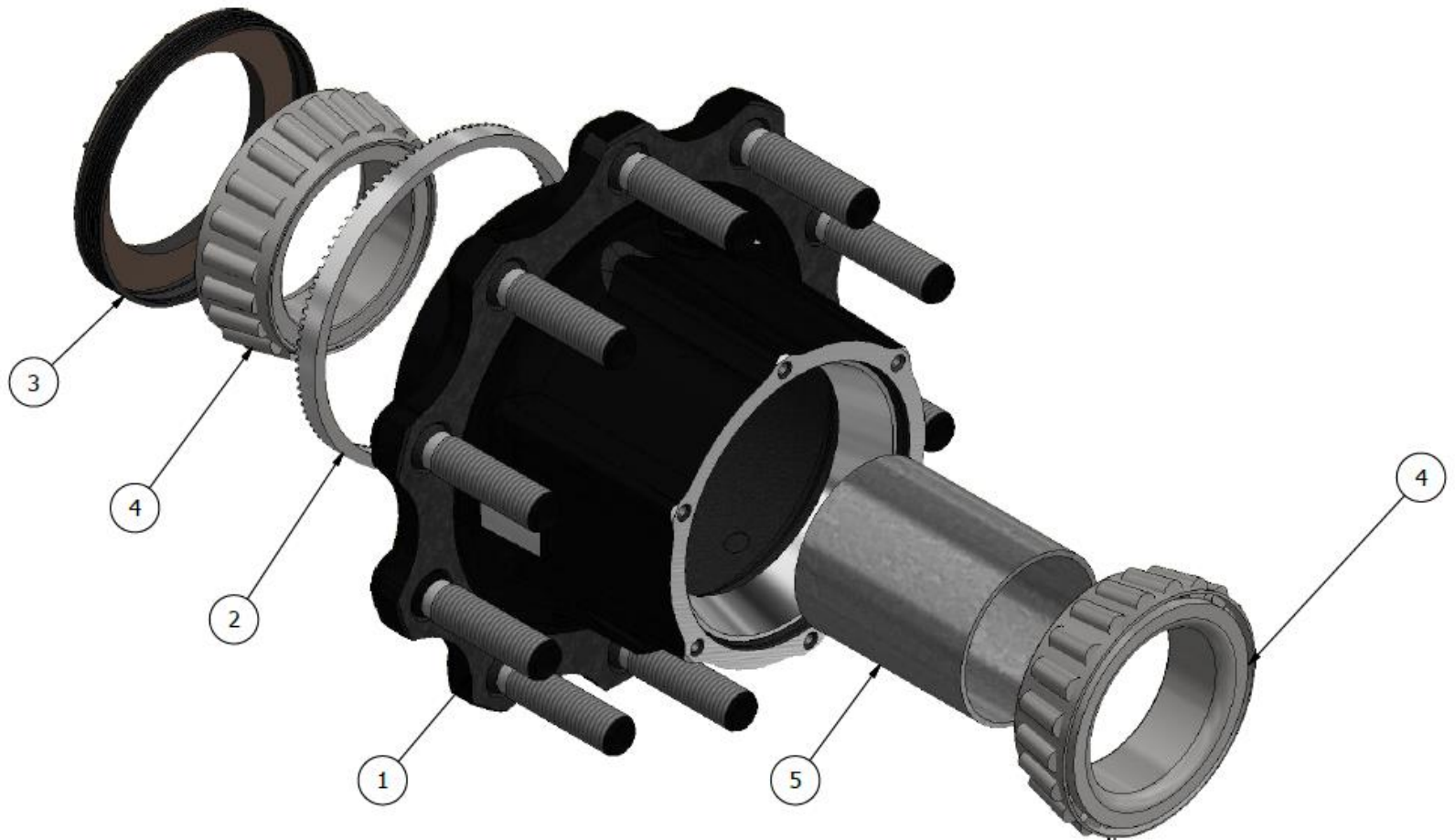


PARTS LIST			
ITEM	QTY	PART NUMBER	DESCRIPTION
1	1	2200350	AXLE BEAM, BARE
2	2	2200120	AXLE SEAT, 1 3/4"
3	2	7004521	BRACKET, AIR LINE
4+5	2	2201996	HUB/ROTOR (PRESET PLUS)
6	2	2200410	SKF HUB CAP
7	1	2202030	PAD KIT WITH HARDWARE
8	1	2202020	CALIPER, RS - LOADED
9	1	2202021	CALIPER, CS - LOADED
10	1	2202000	SPRING BRAKE CHAMBER, RS
11	1	2202001	SPRING BRAKE CHAMBER, CS



HUB PRE-SET, IRON, PARALLEL, ABS

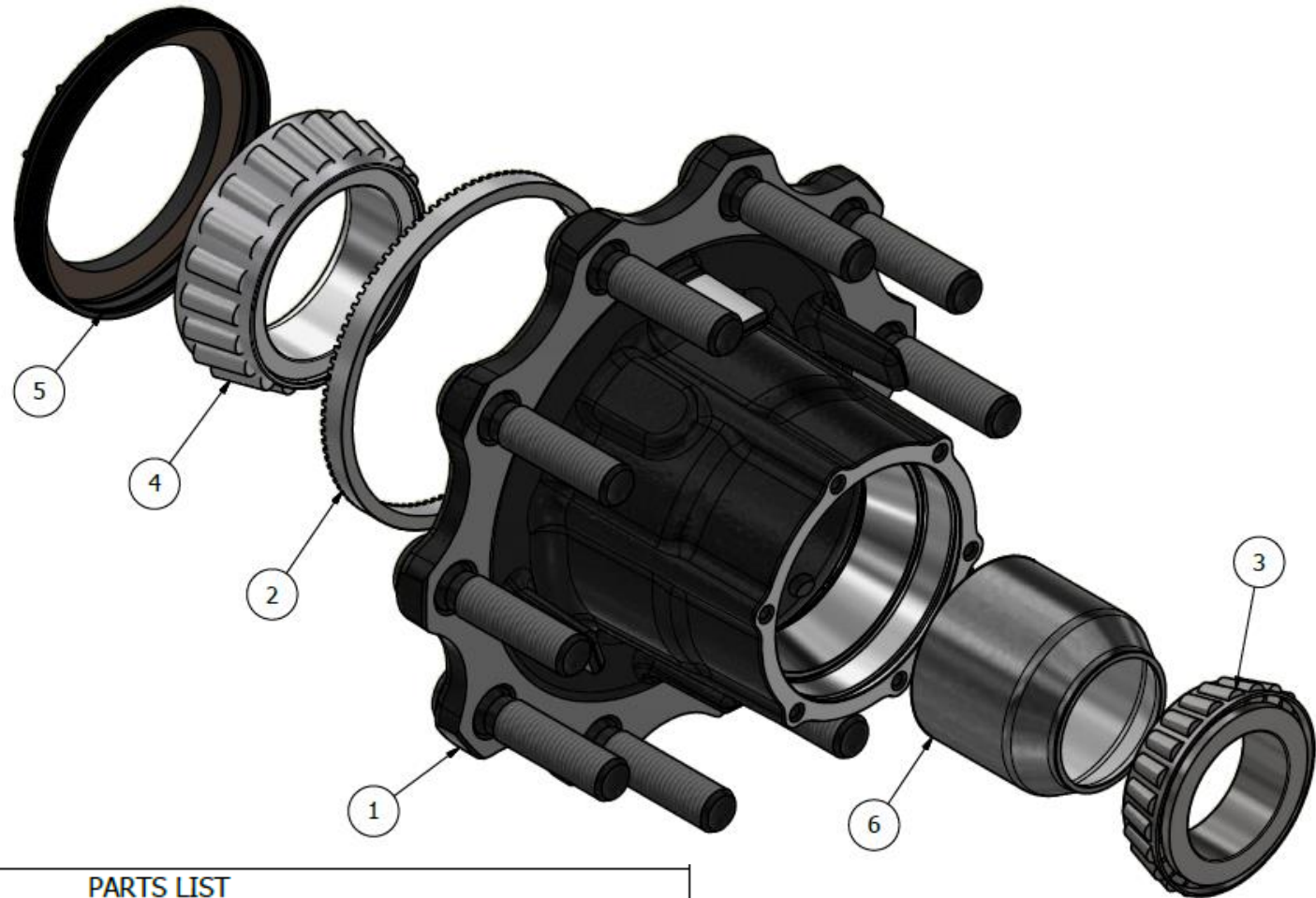
2200307



PARTS LIST			
ITEM	QTY	PART NUMBER	DESCRIPTION
1	1	2200307	HUB PRE-SET, IRON, PARALLEL, COMPLETE SET
2	1	2300012	ABS TONE RING
3	1	2200226	WHEEL SEAL VOYAGER
4	2	2200060	WHEEL BEARING PARALLEL SPINDLE
5	1	2200360	BEARING SPACER PARALLEL PRESET

HUB PRE-SET, IRON, TAPERED, ABS

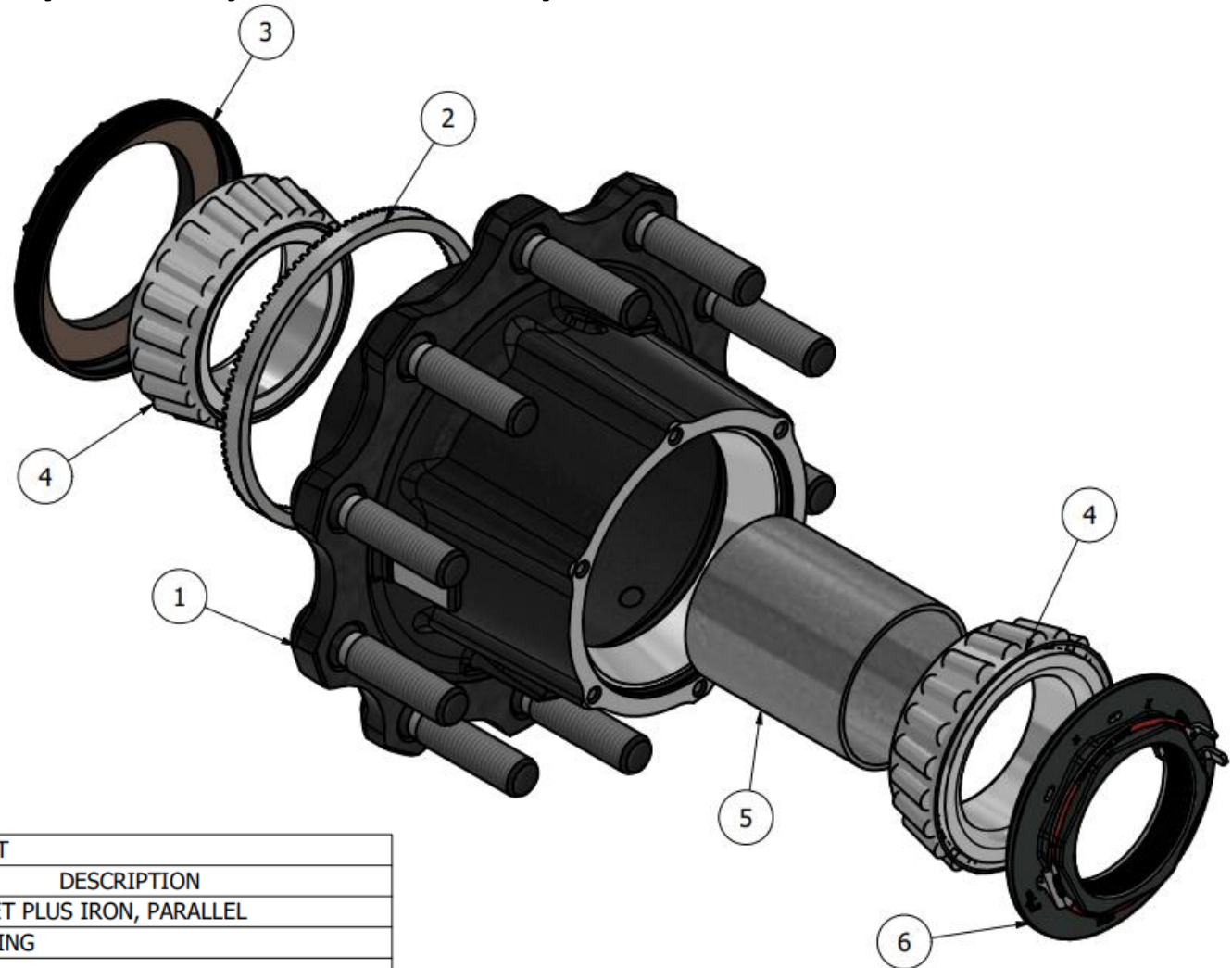
2200317



PARTS LIST			
ITEM	QTY	PART NUMBER	DESCRIPTION
1	1	2200317	HUB, PRE-SET, IRON, TAPERED, COMPLETE SET
2	1	2300112	ABS TONE RING
3	1	2200117	WHELL BEARING OUTER
4	1	2200118	WHEEL BEARING INNER
5	1	2200216	WHEEL SEAL DISCOVER
6	1	2200367	BEARING SPACER TAPERED PRESET

HUB PRE-SET PLUS, IRON, PARALLEL, ABS

2200331

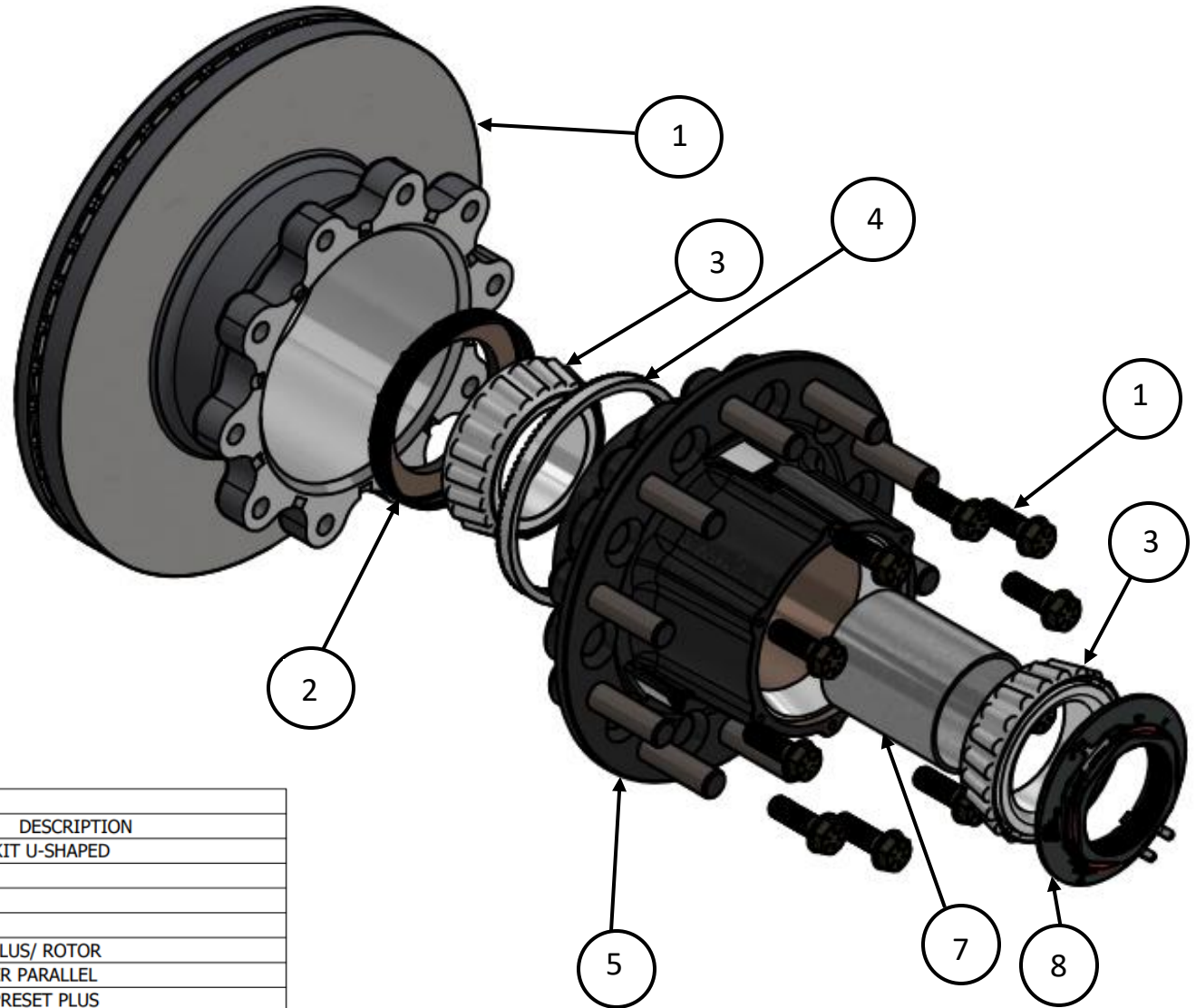


22

PARTS LIST			
ITEM	QTY	PART NUMBER	DESCRIPTION
1	1	2200331	HUB, PRE-SET PLUS IRON, PARALLEL
2	1	2200268	ABS TONE RING
3	1	2200061	WHEEL SEAL
4	1	2200060	BEARING SET
5	1	2200360	NEARING SPACER PARALLEL
6	1	2201999	SPINDLE NUT, PRESET PLUS

HUB PRE-SET PLUS, DISC BRAKE, IRON, PARALLEL, ABS

2201996



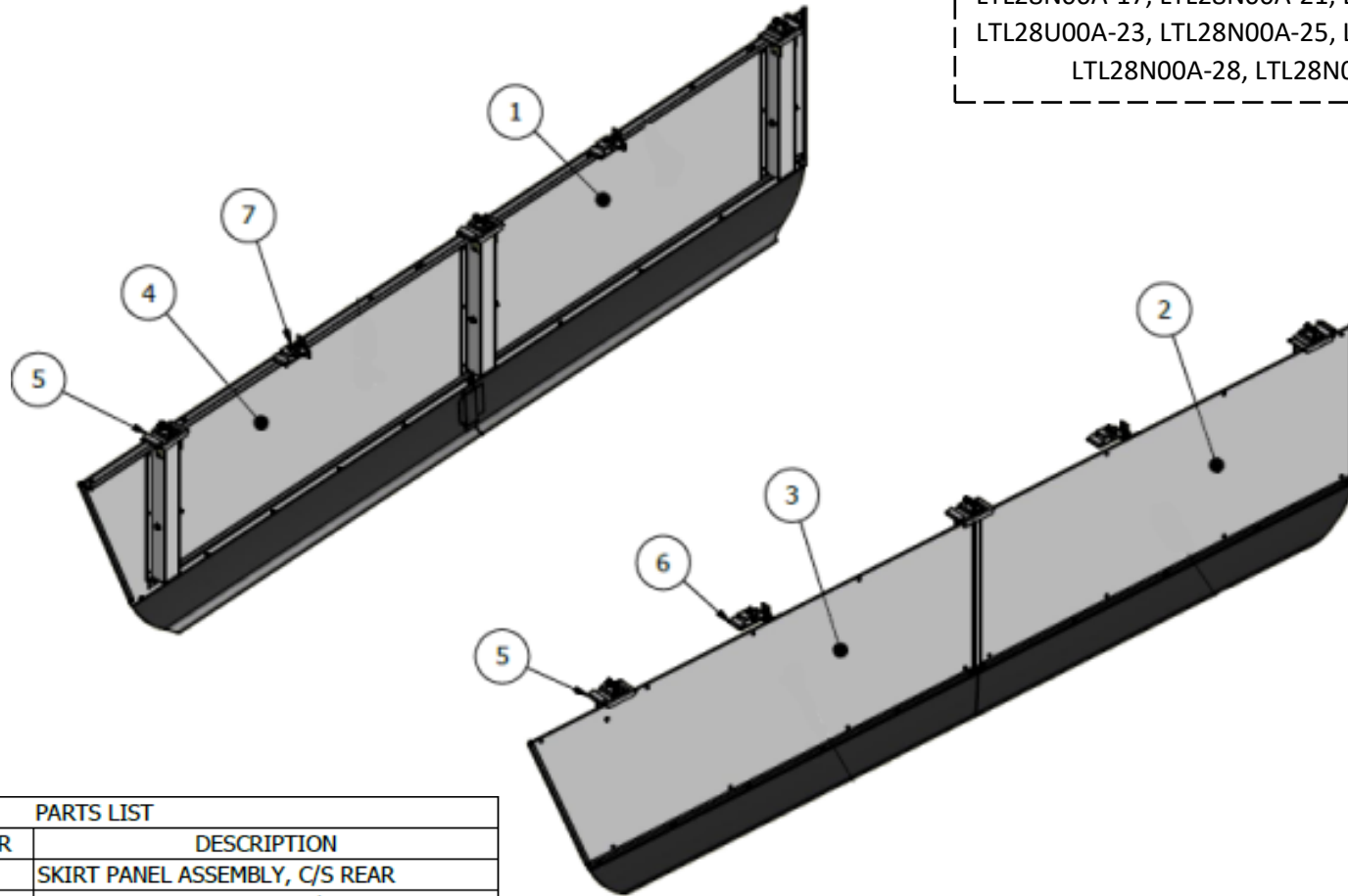
PARTS LIST			
ITEM	QTY	PART NUMBER	DESCRIPTION
1	1	2201997	BRAKE ROTOR KIT U-SHAPED
2	1	2200061	WHEEL SEAL
3	1	2200060	BEARING SET
4	1	2200268	ABS TONE RING
5	1	2201996	HUB, PRE-SET PLUS/ ROTOR
7	1	2200360	BEARING SPACER PARALLEL
8	10	2201999	SPINDLE NUT, PRESET PLUS
10	2+7	2201998	WHELL SEAL/SPACER COMBO



**FAIRING ASSEMBLIES
FOR
LTL XPO TRAILERS**

FAIRING ASSEMBLY, 28'

900M017

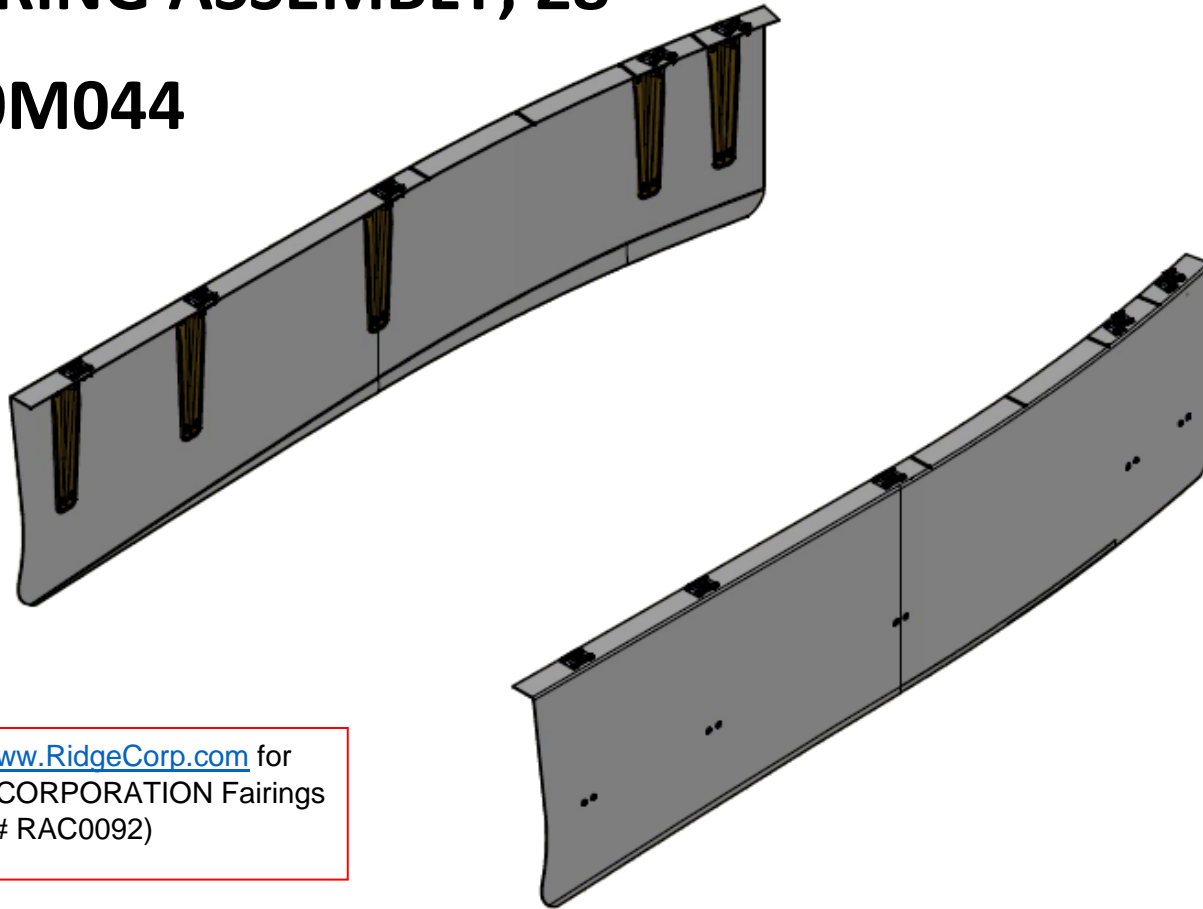


TRAILER MODELS:
 LTL28N00A-10, LTL28N00A-12, LTL28N00A-13,
 LTL28N00A-14, LTL28N00A-15, LTL28N00A-16,
 LTL28N00A-17, LTL28N00A-21, LTL28N00A-22,
 LTL28U00A-23, LTL28N00A-25, LTL28N00A-26,
 LTL28N00A-28, LTL28N00A-29

PARTS LIST			
ITEM	QTY	PART NUMBER	DESCRIPTION
1	1	9000270	SKIRT PANEL ASSEMBLY, C/S REAR
2	1	9000271	SKIRT PANEL ASSEMBLY, R/S REAR
3	1	9000272	SKIRT PANEL ASSEMBLY, R/S FRONT
4	1	9000273	SKIRT PANEL ASSEMBLY, C/S FRONT
5	6	9000274	SPRING LOADED MOUNTING POST
6	2	9000275	R/S TETHER ASSEMBLY
7	2	9000276	C/S TETHER ASSEMBLY
8	36	6300170	RIVET, STN STL (PANEL TO POST)
9	4	6300171	RIVET, STN STL (PANEL TO TETHER)

FAIRING ASSEMBLY, 28'

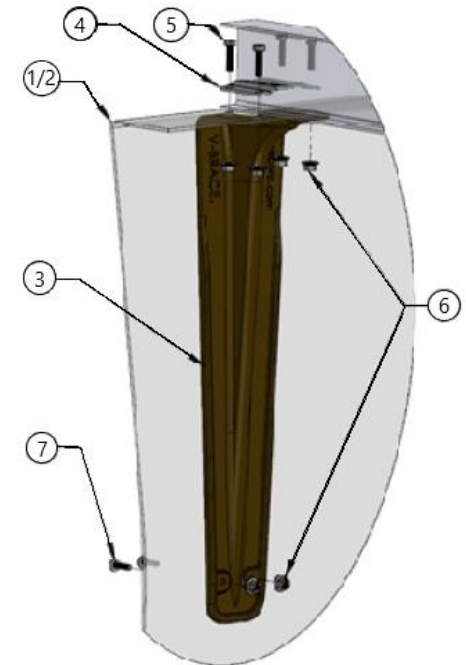
900M044



Go to www.RidgeCorp.com for RIDGE CORPORATION Fairings (Model # RAC0092)

TRAILER MODELS:

LTL28N00A-24, LTL28N00A-25,
LTL28N00A-27, LTL28P00A-27



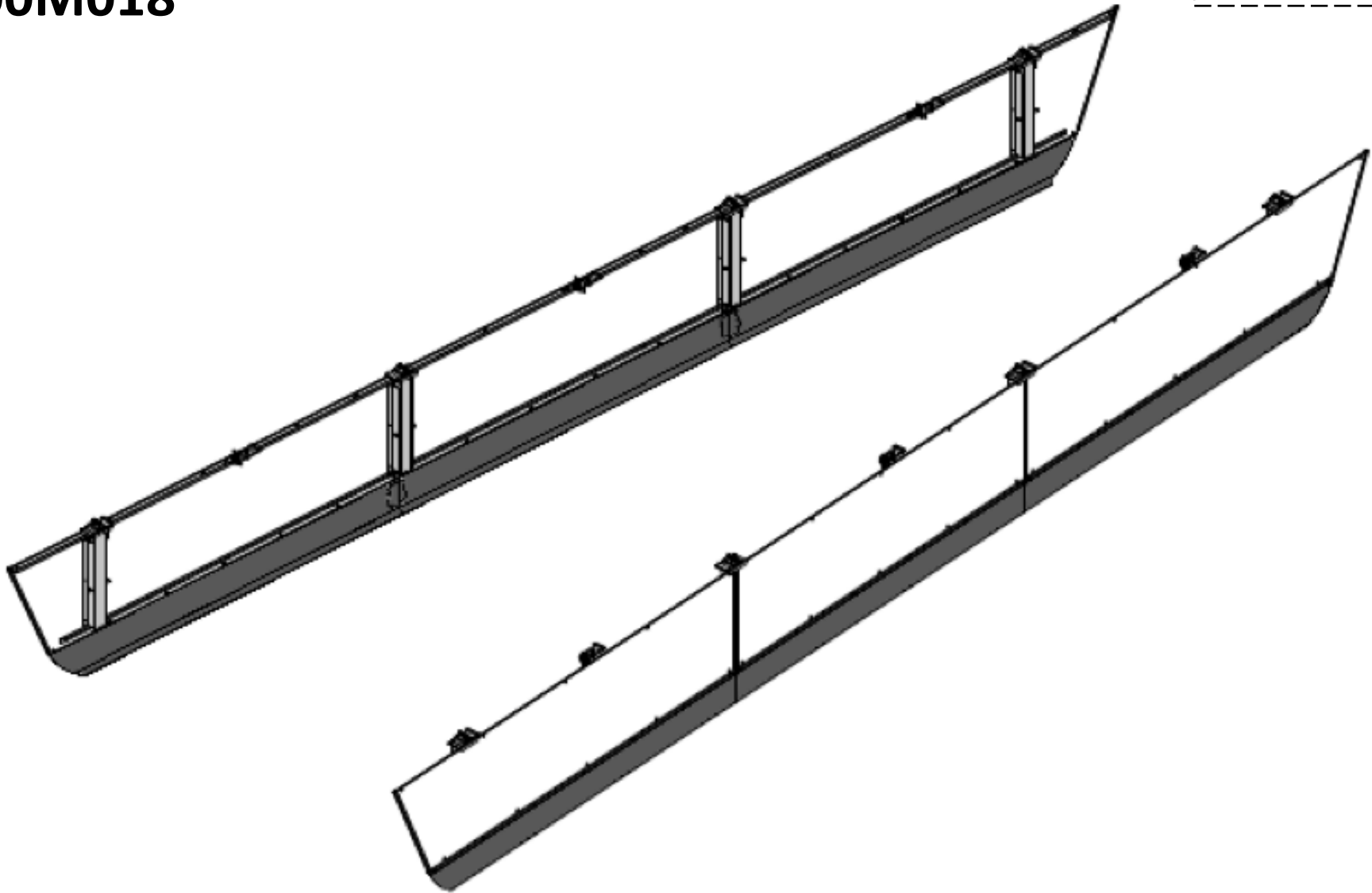
PARTS LIST			
ITEM	QTY	PART NUMBER	DESCRIPTION
1	1	RMC0487	TRAILER SKIRT ROADSIDE
2	1	RMC0488	TRAILER SKIRT CURBSIDE
3	10	RMC0300	TRAILER SKIRT V-BRACE (SLOTTED)
4	20	RPC0026	S.S CROSS MEMBER CLAMP
5	40	RPC0021	5/16"-18 x 1 1/4" G5 HEX HEAD BOLT
6	60	RPC0053	5/16"-18 LARGE FLANGE LOCK NUT
7	20	PRC0056	5/16"-18 TX-40 TRUSS HEAD BODY

FAIRING ASSEMBLY, LTL 53'

900M018

TRAILER MODELS:

LTL53N00A-13





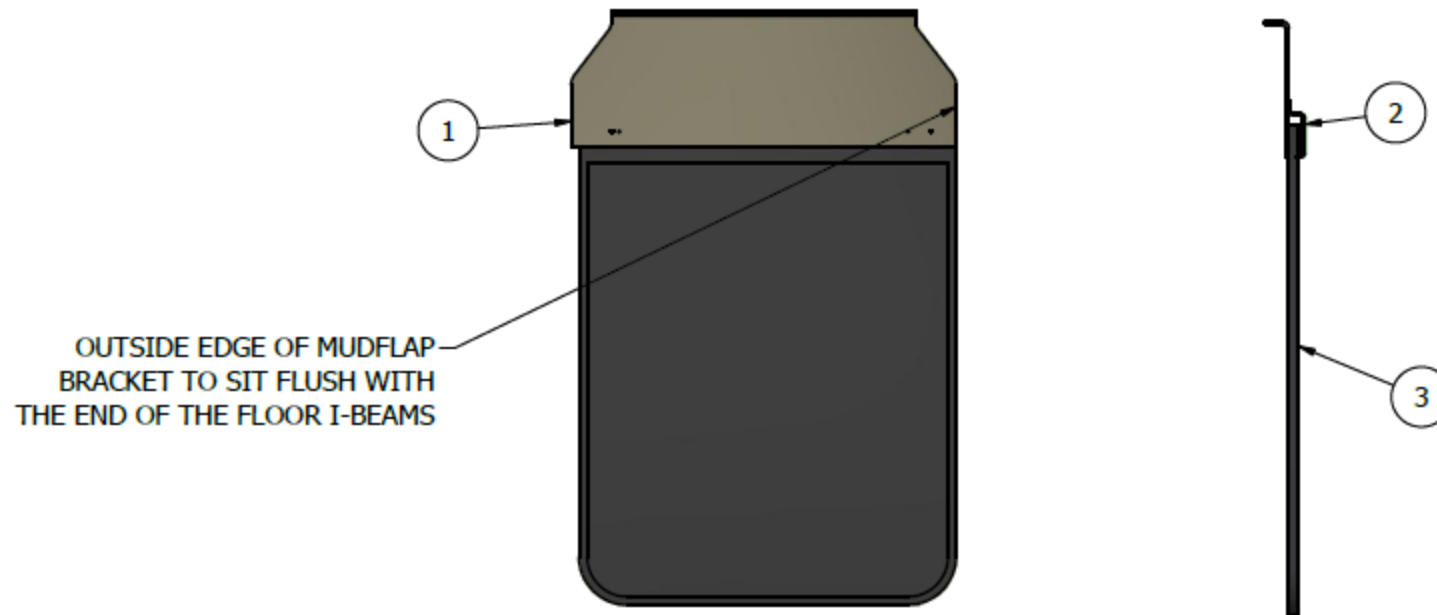
**MUDFLAP ASSEMBLIES
FOR
LTL XPO TRAILERS**

MUDFLAP ASSEMBLY, 28'

240M035

TRAILER MODEL:

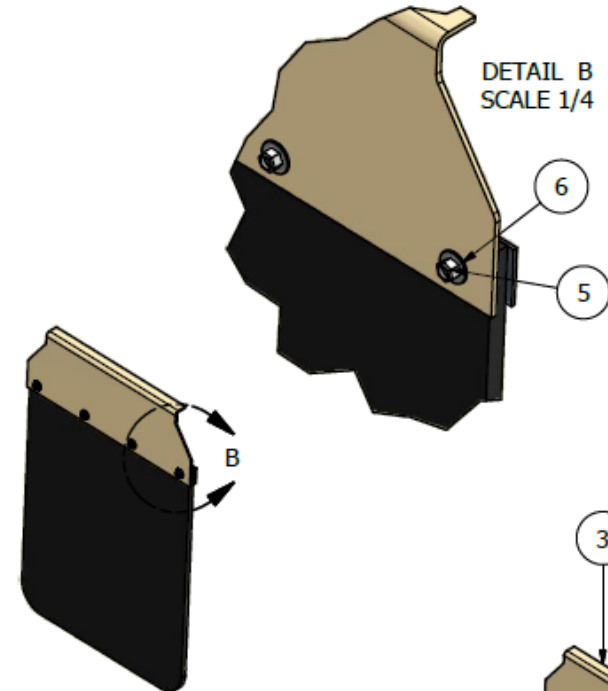
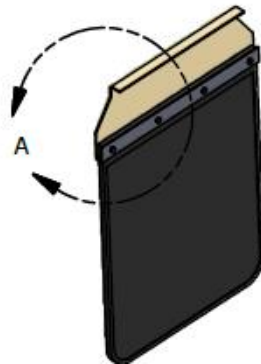
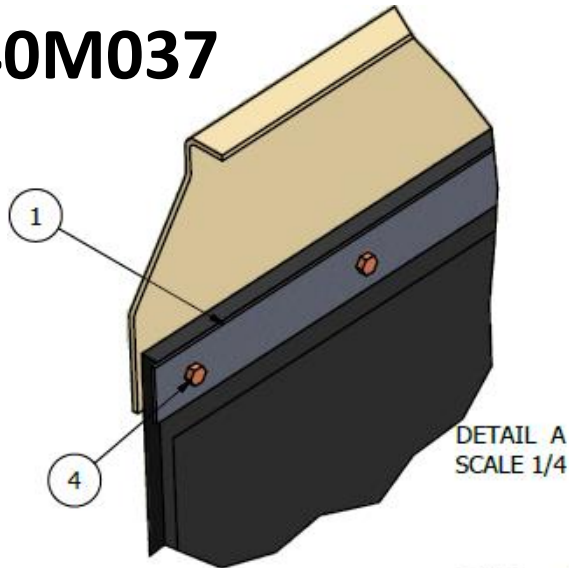
LTL28N00A-24, LTL28N00A-25,
LTL28N00A-26, LTL28N00A-27,
LTL28P00A-27, LTL28UL0A-27



PARTS LIST			
ITEM	QTY	PART NUMBER	DESCRIPTION
1	2	2400270	C/S MUD FLAP MOUNTING BRACKET
2	2	2400272	UNIVERSAL MUD FLAP BRACKET
3	1	240N217	MUD FLAP ASSEMBLY

MUDFLAP ASSEMBLY, 28'

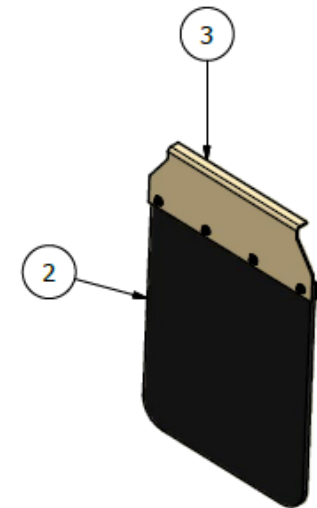
240M037



TRAILER MODEL:

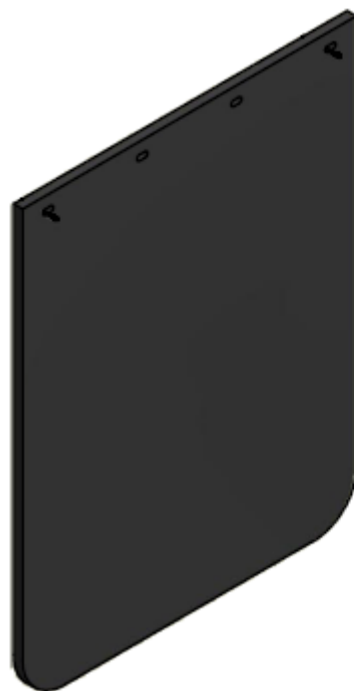
LTL28N00A-10, LTL28NL0A-10, LTL28N00A-12,
 LTL28N00A-13, LTL28UL0A-13, LTL28UL0B-13,
 LTL28N00A-14, LTL28N00A-15, LTL28N00A-16,
 LTL28N00A-17, LTL28U00A-21, LTL28N00A-22,
 LTL28U00A-23

PARTS LIST			
ITEM	QTY	PART NUMBER	DESCRIPTION
1	2	2400161	PLATE, MUDFLAP BACKING
2	2	2400241	MUDFLAP, 24" x 30" BLACK PLASTIC
3	2	2400261	MUDFLAP BRACKET
4	8	6000375	BOLT, 3/8-16 x 1 1/4" GRADE 8
5	8	6100382	NUT, 3/8-16 LOCK STOVER
6	8	6200376	WASHER, 3/8" FLAT USS PLATED



MUDFLAP ASSEMBLY, LTL28

240N217



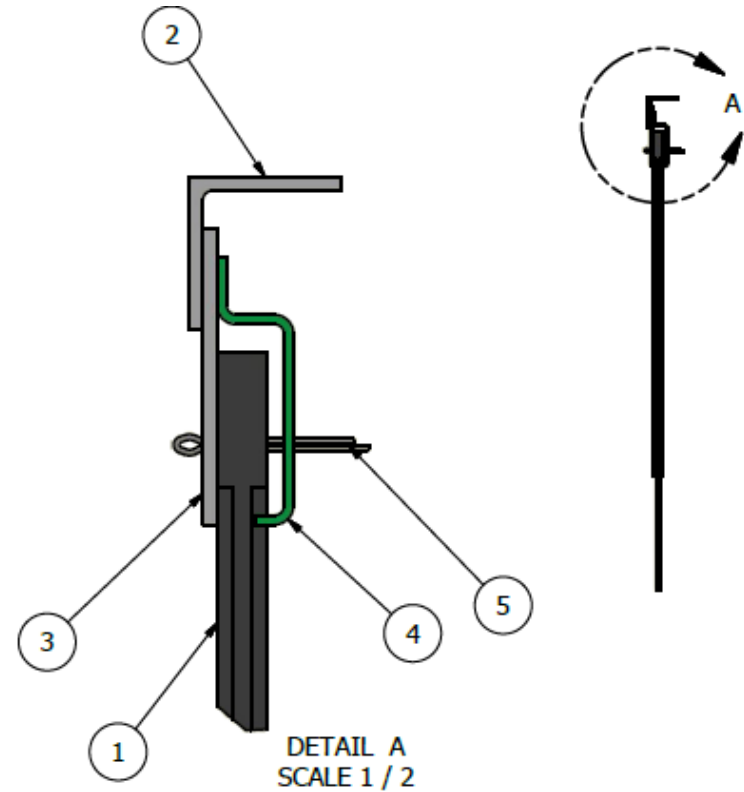
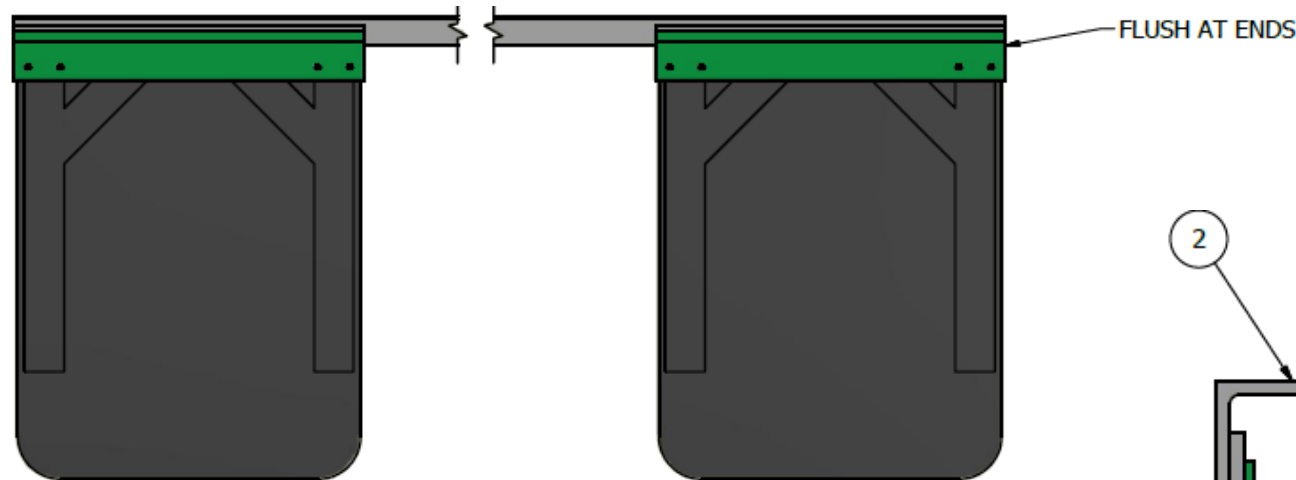
QUICK CHANGE MUD FLAP
PN: 2400242 QTY: 2



5/32" x 2" COTTER PIN
PN: 6400403 QTY: 4

MUDFLAP ASSEMBLY, SEMI 240M038

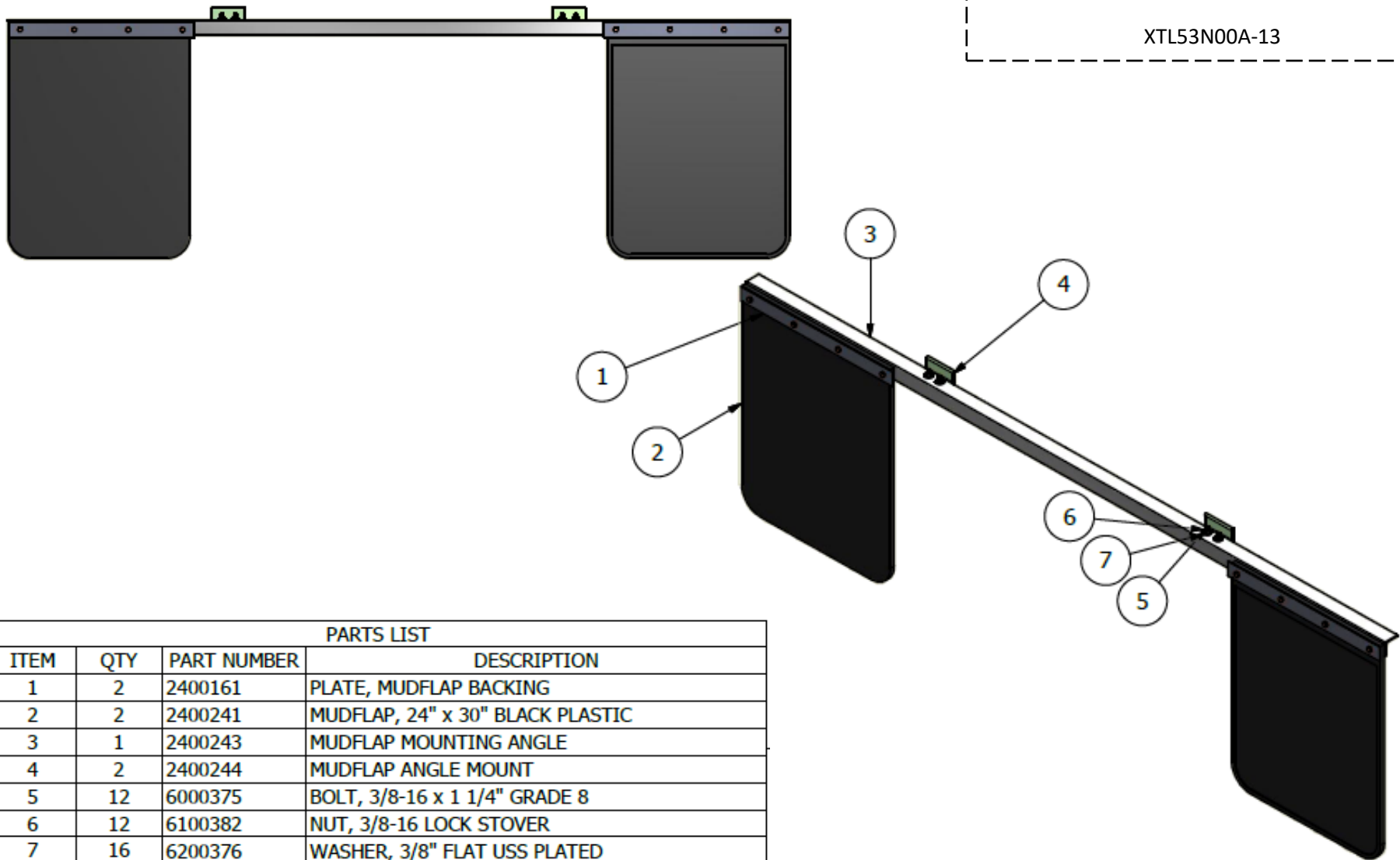
TRAILER MODEL:
LTL48UL0A-23



PARTS LIST			
ITEM	QTY	PART NUMBER	DESCRIPTION
1	2	2400242	MUDFLAP, QUICK-CHANGE
2	1	2400250	ANGLE, MUDFLAP MOUNT, SEMI
3	2	2400251	PLATE, MUDFLAP MOUNTING
4	2	2400272	MUDFLAP BRACKET, QUICK-CHANGE
5	4	6400403	COTTER PIN, 5/32" x 2"

MUDFLAP ASSEMBLY, SEMI 240N220

TRAILER MODEL:
 LTL48N00A-10, LTL4800A-12, LTL48N00A-13,
 LTL48NLOA-13, LTL48N00A-15, LTL48N00A-16,
 LTL48N00A-17, LTL48U00A-20, LTL48U00A-21,
 LTL48U00A-23
 XTL53N00A-13



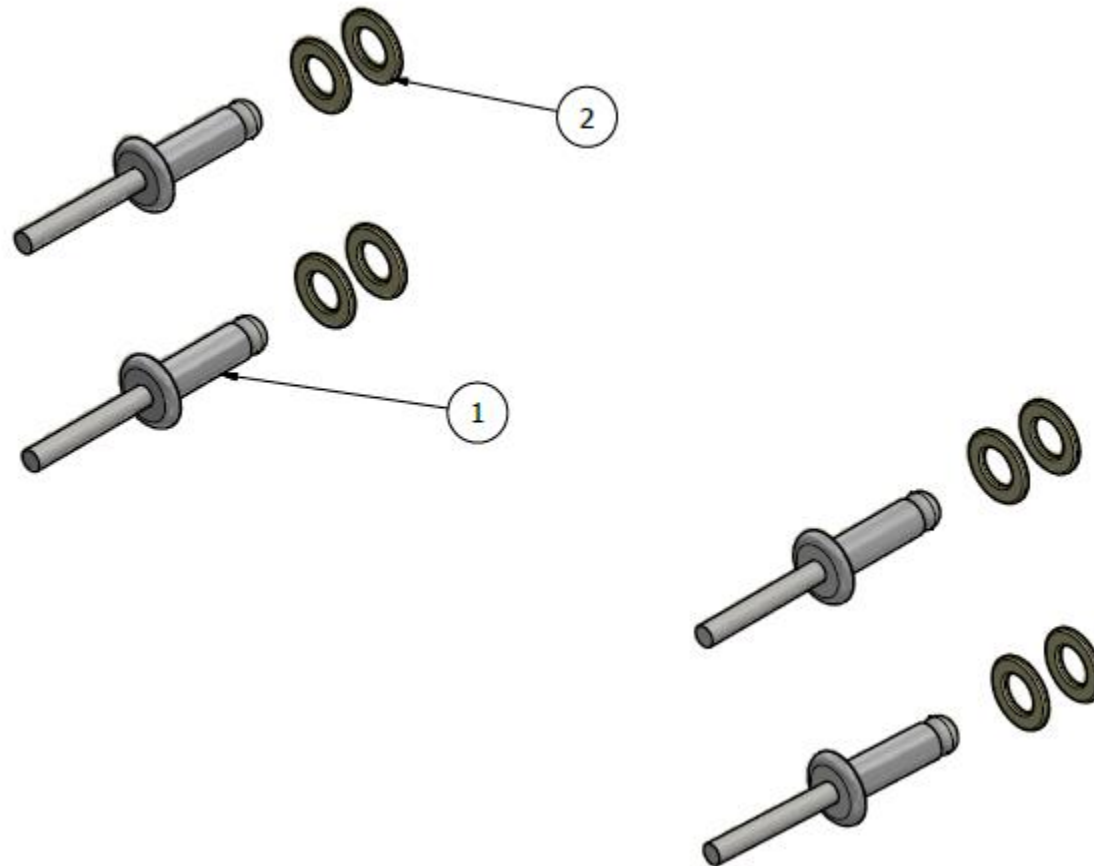
PARTS LIST			
ITEM	QTY	PART NUMBER	DESCRIPTION
1	2	2400161	PLATE, MUDFLAP BACKING
2	2	2400241	MUDFLAP, 24" x 30" BLACK PLASTIC
3	1	2400243	MUDFLAP MOUNTING ANGLE
4	2	2400244	MUDFLAP ANGLE MOUNT
5	12	6000375	BOLT, 3/8-16 x 1 1/4" GRADE 8
6	12	6100382	NUT, 3/8-16 LOCK STOVER
7	16	6200376	WASHER, 3/8" FLAT USS PLATED



**LICENSE PLATE ASSEMBLIES
FOR
LTL XPO TRAILERS**

LICENSE PLATE FASTENER ASSEMBLY, 28'

240N060



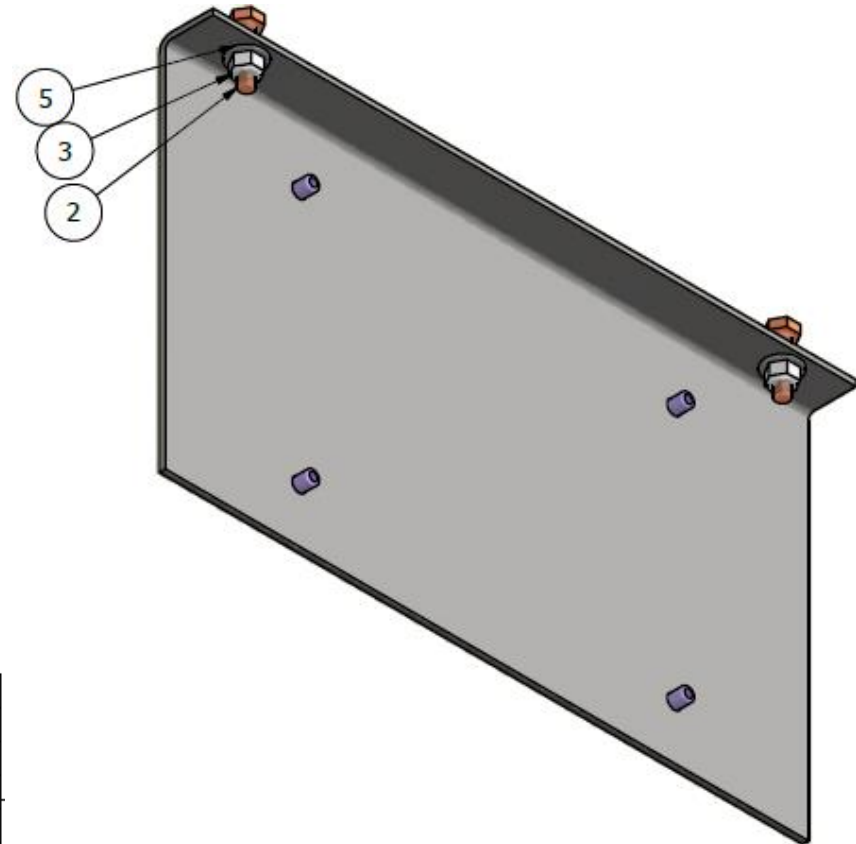
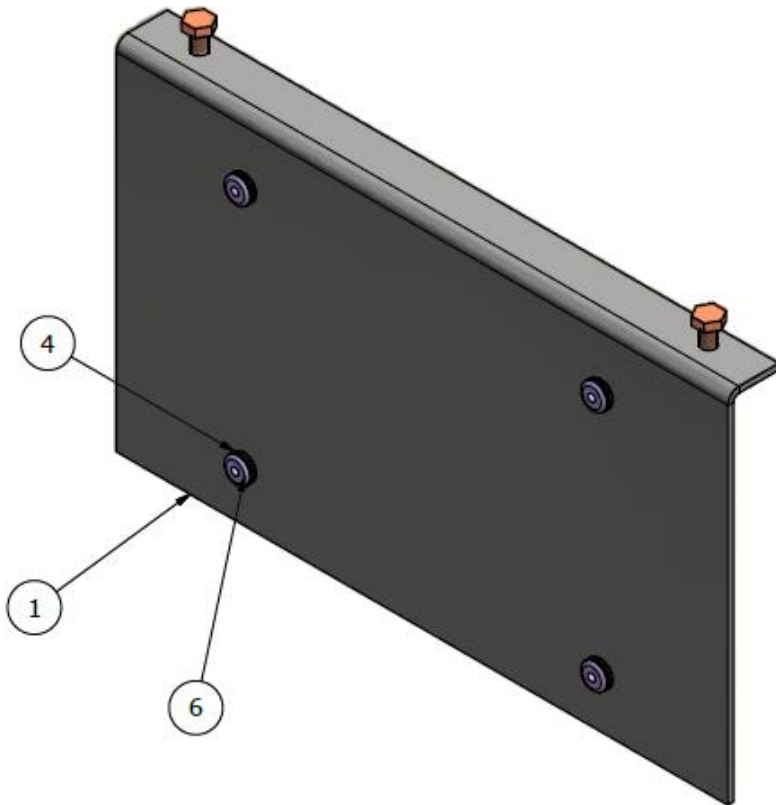
PARTS LIST			
ITEM	QTY	PART NUMBER	DESCRIPTION
1	4	6300136	RIVET, POP- AD8-8SSBS DOME ¼" D x ½" LONG
2	8	6200101	WASHER, NYLON – ¼" x ½" x 1/16"

LICENSE PLATE BRACKET ASSEMBLY, SEMI 240N290

TRAILER MODEL:

LTL48N00A-10, LTL48N00A-12,
LTL48N00A-13, LTL48N00A-15,
LTL48N00A-16, LTL48N00A-17,
LTL48U00A-20, LTL48U00A-21,
LTL48U00A-23

XTL53N00A-13



PARTS LIST

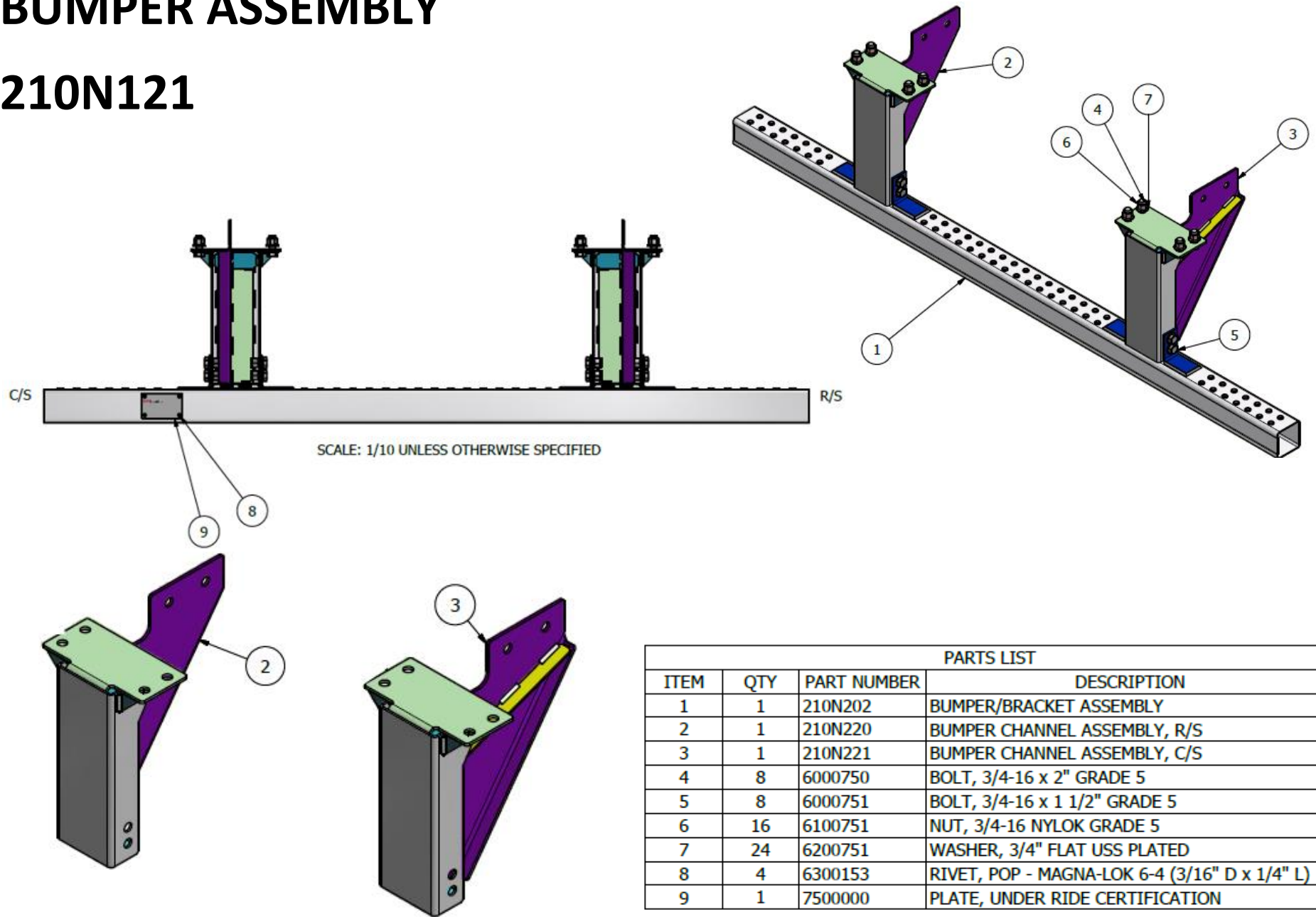
ITEM	QTY	PART NUMBER	DESCRIPTION
1	1	2400290	BRACKET, LICENSE PLATE
2	2	6000254	BOLT, 1/4-20 x 1" GRADE 8 PLATED
3	2	6100253	NUT, 1/4-20 NYLOK GRADE 5 PLATED
4	8	6200101	WASHER, NYLON - 1/4" x 1/2" x 1/16"
5	2	6200252	WASHER, 1/4" SAE FLAT PLATED
6	4	6300128	RIVET, POP - SSDSS-8-4 (1/4" D x 1/4" L)



**BUMPER ASSEMBLIES
FOR
LTL XPO TRAILERS**

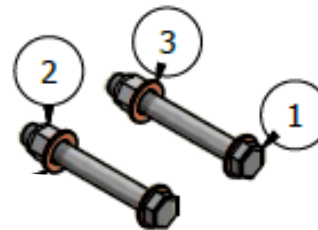
BUMPER ASSEMBLY

210N121



BUMPER ATTACHMENT, 28'

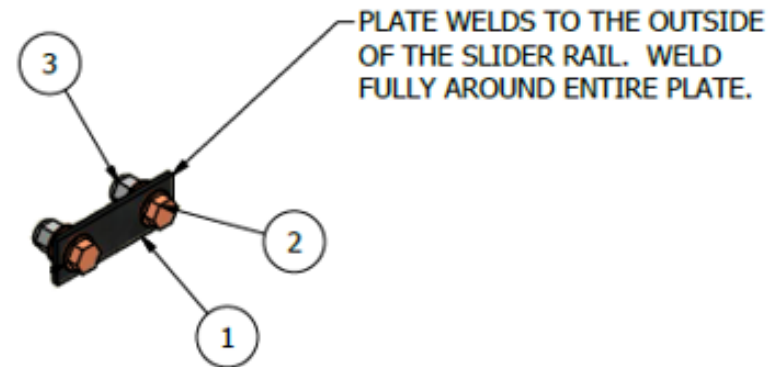
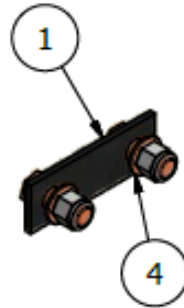
210N122



PARTS LIST			
ITEM	QTY	PART NUMBER	DESCRIPTION
1	4	6000274	BOLT, 3/4"-16 X 6" GRADE 8 PLATED
2	4	6100263	NYLOK NUT, 3/4"-16 GRADE 8
3	8	6200751	WASHER, 3/4" ALLOY

BUMPER ATTACHMENT, SEMI

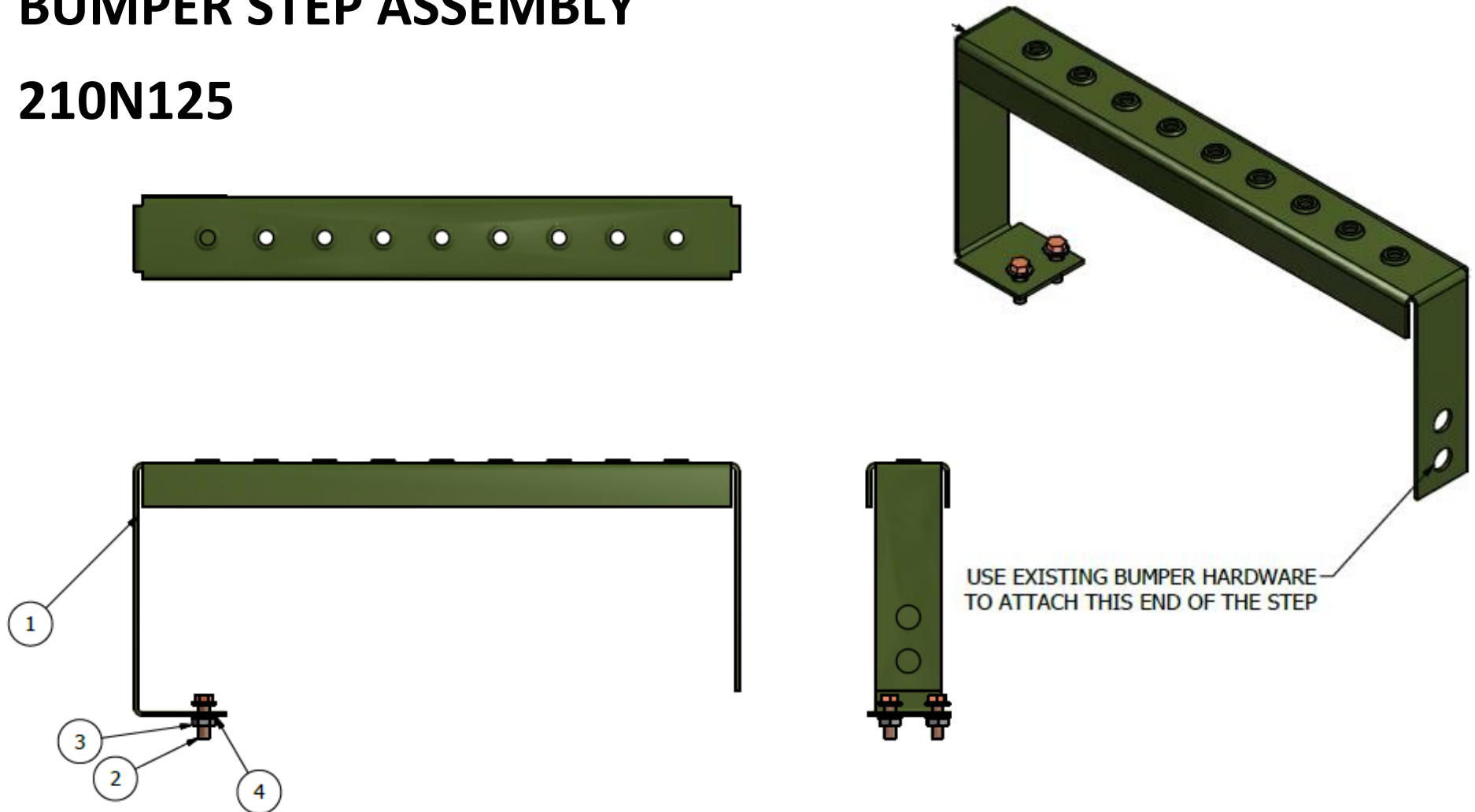
210N123



PARTS LIST			
ITEM	QTY	PART NUMBER	DESCRIPTION
1	2	2100524	BUMPER TO SLIDER PLATE
2	4	6000757	BOLT, 3/4"-16 x 2" GRADE 8 PLATED
3	4	6100263	NYLOK NUT, 3/4-16 GRADE 8
4	8	6200751	WASHER, 3/4" ALLOY

BUMPER STEP ASSEMBLY

210N125



PARTS LIST			
ITEM	QTY	PART NUMBER	DESCRIPTION
1	1	2100378	BUMPER STEP
2	2	6000375	BOLT, 3/8-16 x 1 1/4" GRADE 8
3	2	6100381	NUT, 3/8-16 LOCK CROWN GRADE 8
4	4	6200378	WASHER, 3/8" FLAT SAE PLATED



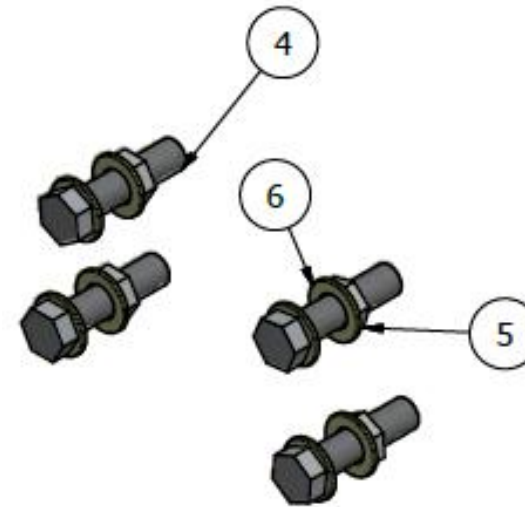
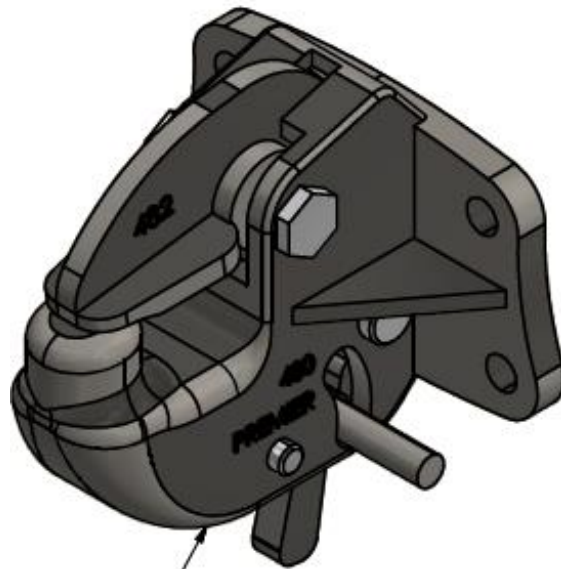
**PINTLE HOOK ASSEMBLIES
FOR
LTL XPO TRAILERS**

PINTLE HOOK ASSEMBLY, NEW

210N279

TRAILER MODEL:

LTL28N00A-10, LTL28N00A-21, LTL28NLOA-10,
 LTL28N00A-22, LTL28N00A-12, LTL28N00A-23,
 LTL28N00A-13, LTL28N00A-24, LTL28NLOA-13,
 LTL28N00A-25, LTL28NLOB-13, LTL28N00A-26,
 LTL28N00A-14, LTL28N00A-27, LTL28N00A-15,
 LTL28P00A-27, LTL28N00A-16, LTL28NLOA-27,
 LTL28N00A-17, LTL28N00A-28, LTL28N00A-29



PARTS LIST			
ITEM	QTY	PART NUMBER	DESCRIPTION
1	1	210N279	PINTLE HOOL ASSEMBLY (COMPLETE)
2	1	2100210	PINTLE HOOK 480
3	1	600N100	KIT, FASTENER/ P-HOOK (COMPLETE)
4	4	6000755	BOLT 3/4"-16 x 3" GRADE 8
5	4	6100755	NUT 3/4"-16 GRADE 8
6	8	6200751	WASHER 3/4" ALLOY

PINTLE HOOK ASSEMBLY, NEW

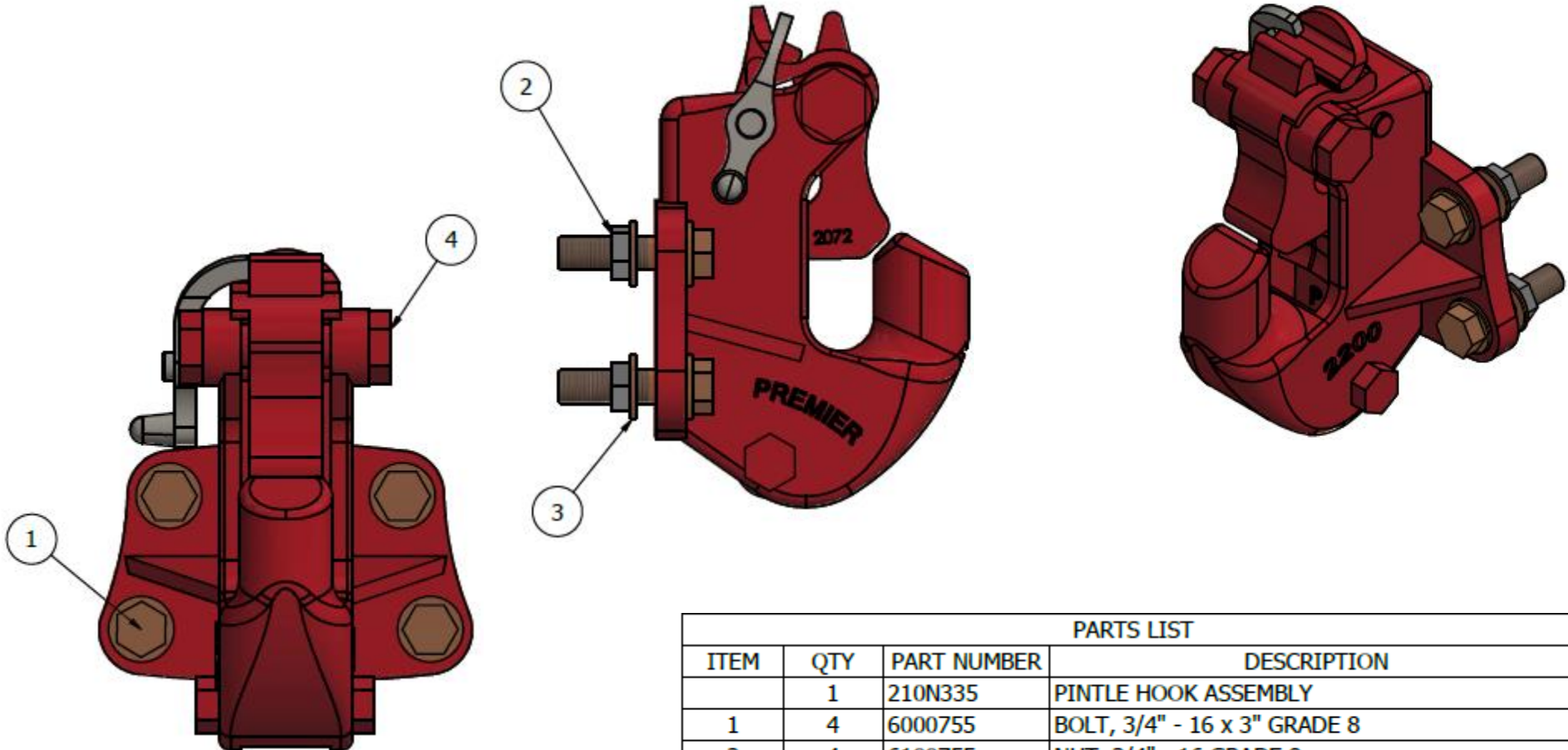
210N335

TRAILER MODELS:

LTL28N00A-30, LTL28N00A-31

LTL28N00A-32, LTL28N00A-33

LTL28N00A-34, LTL28N00A-35



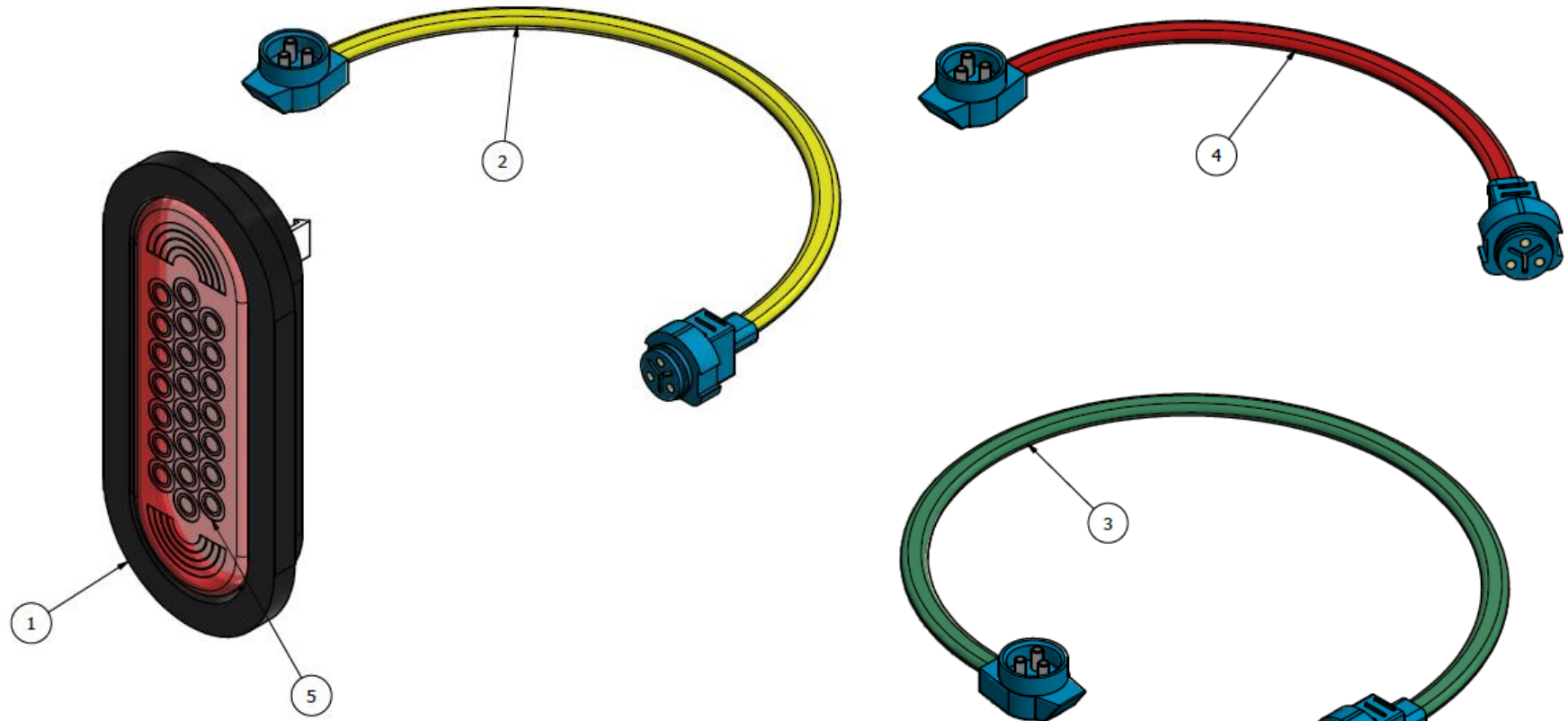
PARTS LIST			
ITEM	QTY	PART NUMBER	DESCRIPTION
	1	210N335	PINTLE HOOK ASSEMBLY
1	4	6000755	BOLT, 3/4" - 16 x 3" GRADE 8
2	4	6100755	NUT, 3/4" - 16 GRADE 8
3	8	6200751	WASHER, 3/4"
4	1	2100335	PINTLE HOOK, PREMIER 2200ELL



**LIFTGATE ASSEMBLIES
FOR
LTL XPO TRAILERS**

VERTICAL TAILLIGHT ASSEMBLY

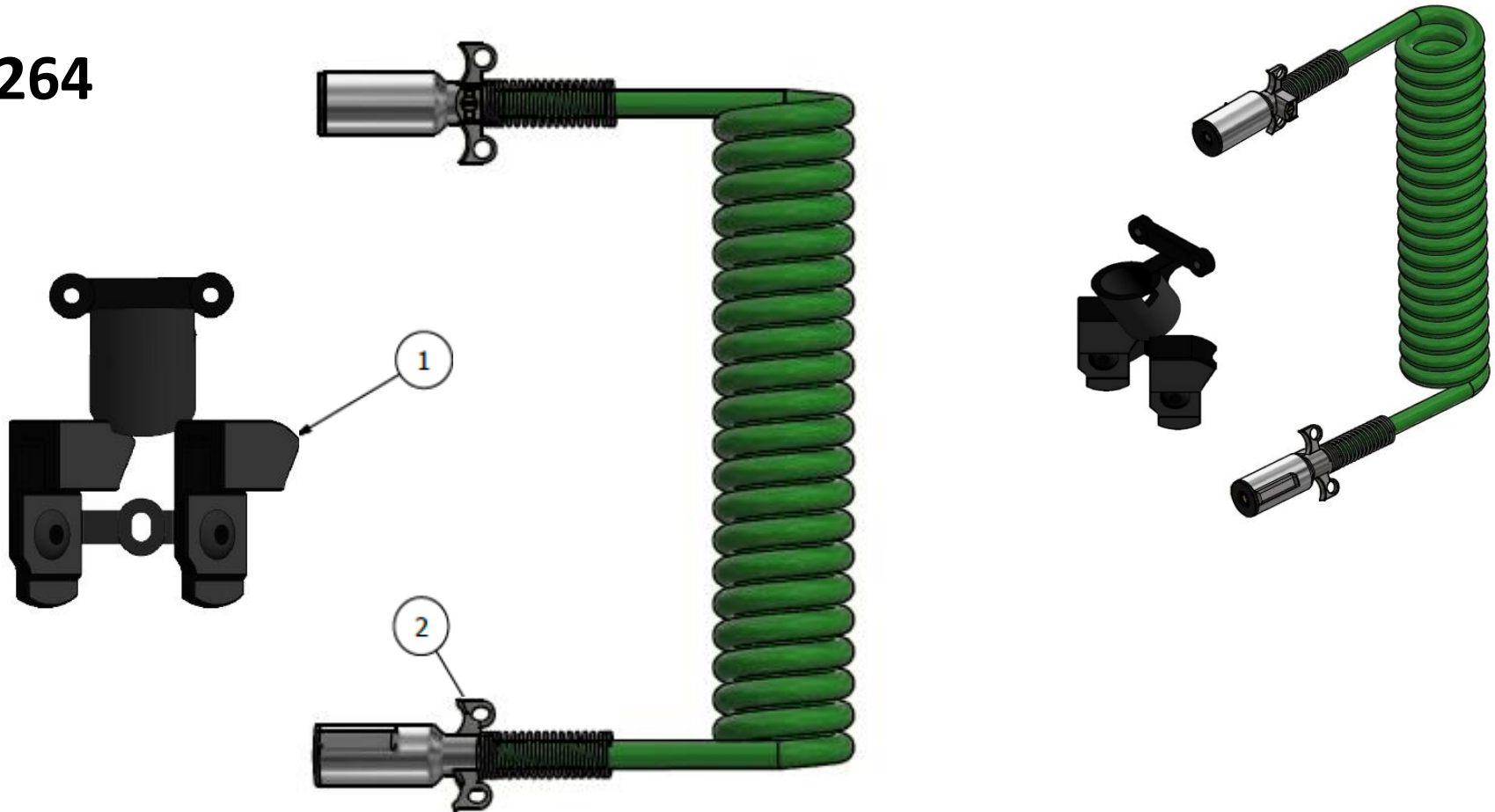
800N130



PARTS LIST			
ITEM	QTY	PART NUMBER	DESCRIPTION
1	1	8000054	GROMMET, OVAL MID-TURN
2	1	8000826	JUMPER HARNESS
3	1	8000827	JUMPER HARNESS
4	1	8000828	JUMPER HARNESS
5	1	8000904	LAMP, STOP/TAIL/TURN LED

POWER CABLE AND HOLDER ASSEMBLY

800N264



PARTS LIST			
ITEM	QTY	PART NUMBER	DESCRIPTION
1	1	8000237	CHARGING HOLDER BRACKET
2	1	8000238	CHARGING CABLE COILED 15' – LIFTGATE
3	1	6300139	RIVET, POP – AD6-16ABSLF LG
4	1	800N296	CLAMP ASSEMBLY LIFT GATE POWER CORD
	2	6000300	BOLT, 5/16" 18x1" TRILOBULAT SELF TAPP
	1	6200105	WASHER, POP RIVET BACKING 3/16"

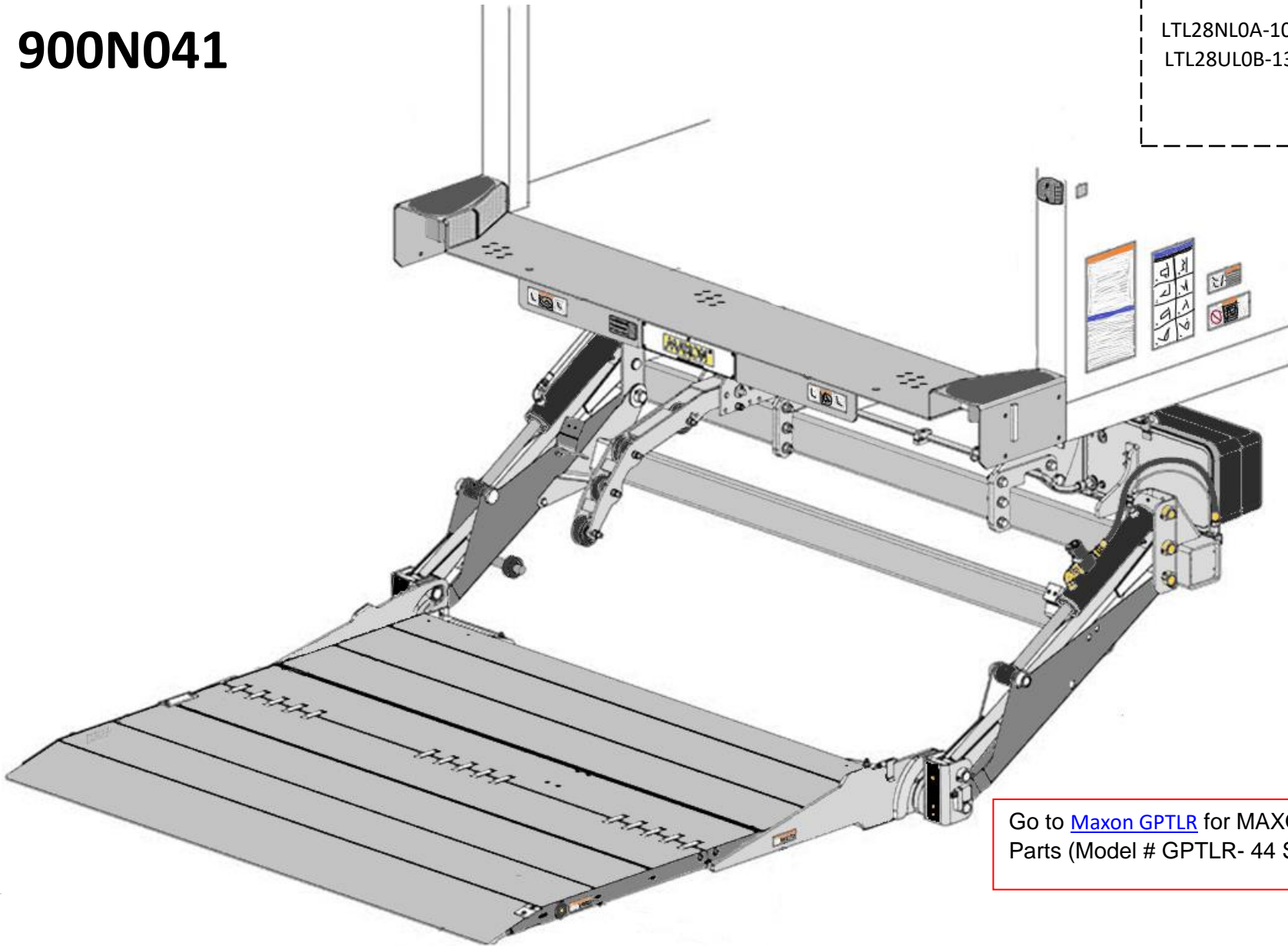


MAXON TUK-A-WAY ASSEMBLY, LTL28'

900N041

TRAILER MODELS:

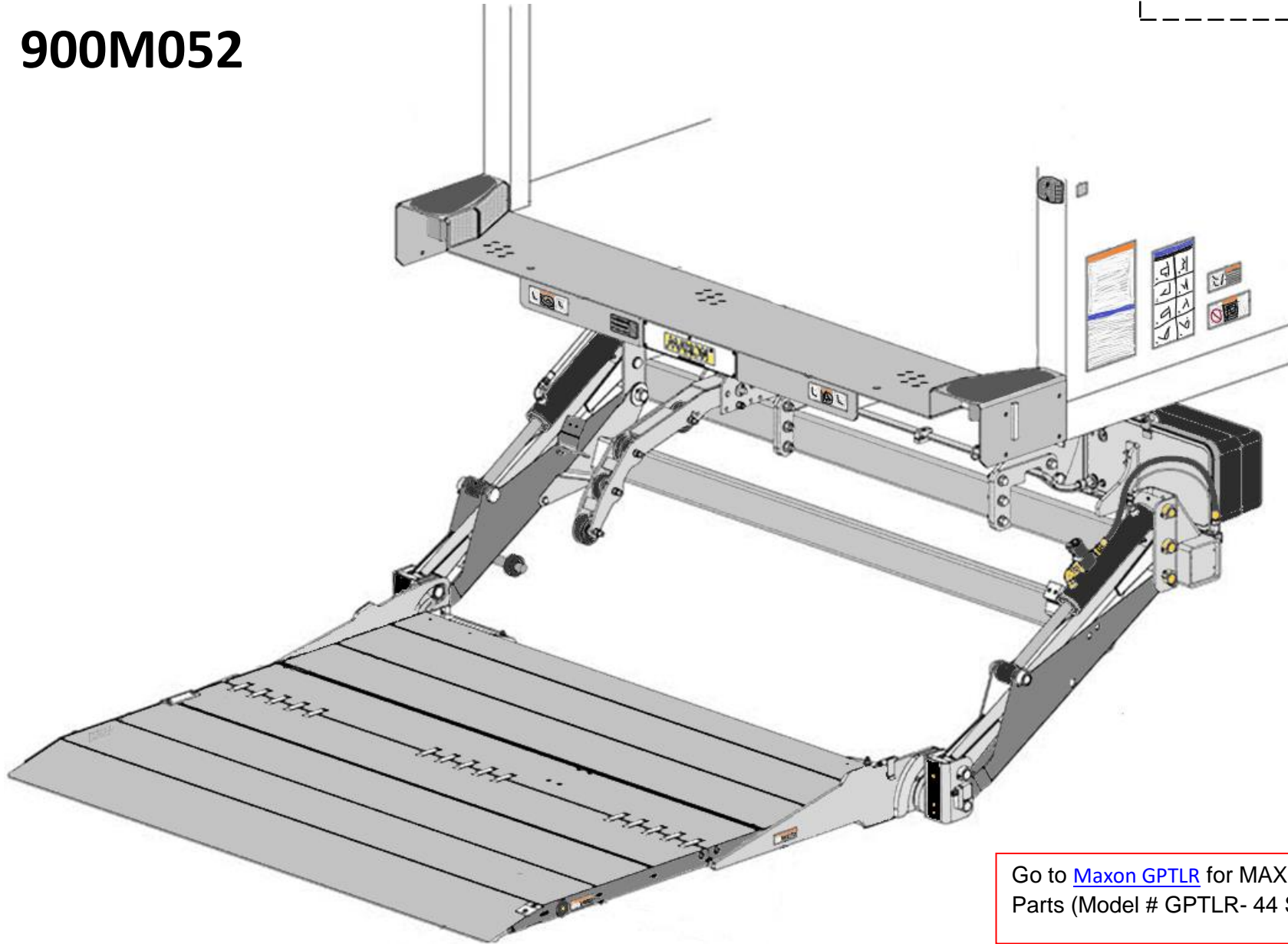
LTL28NL0A-10, LTL28UL0A-13,
LTL28UL0B-13, LTL28UL0A-27



Go to [Maxon GPTLR](#) for MAXON Tuk-A-Way Parts (Model # GPTLR- 44 Series)

MAXON TUK-A-WAY ASSEMBLY, LTL SEMI 900M052

TRAILER MODELS:
LTL48NLOA-13, LTL48ULOA-23



Go to [Maxon GPTLR](#) for MAXON Tuk-A-Way Parts (Model # GPTLR- 44 Series)