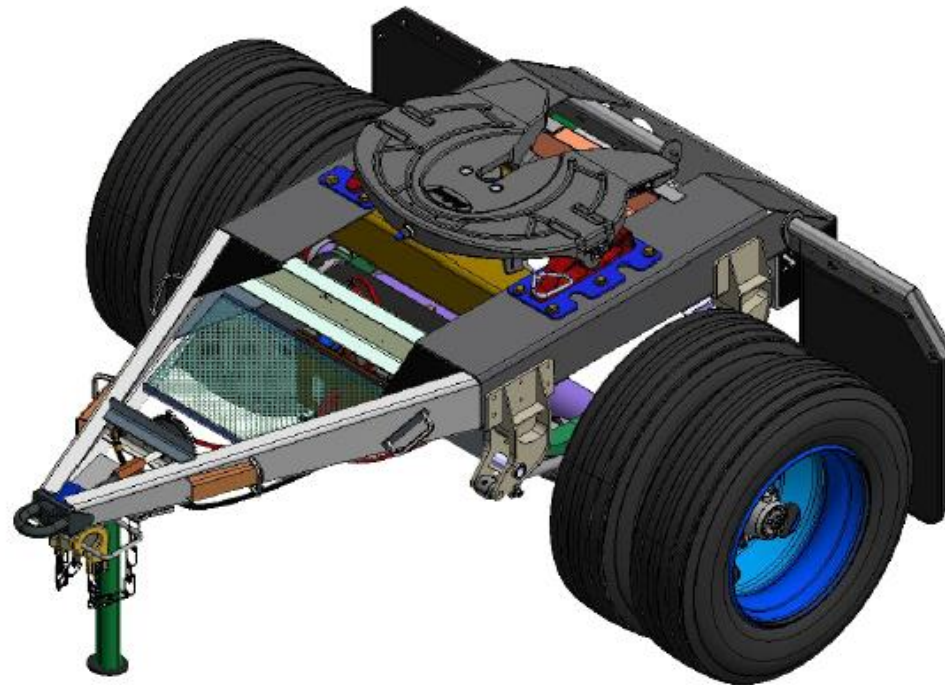


# XPO Logistics

2018-2022 Parts Book

Model #'s: XPODDN00A-06,07,08,09,10

Initial Release: 11/15/2022



# Table of Contents

## A

Air Brake Assemblies.....	38-53
Axle and Wheel End Assemblies.....	15-26

## D

Decals.....	67-70
-------------	-------

## E

Electrical Assemblies.....	54-64
----------------------------	-------

## F

Frame-Dolly/Congear.....	1-12
Fifth Wheel Assembly.....	65-66

## M

Mud-flap Assemblies.....	36-37
--------------------------	-------

## S

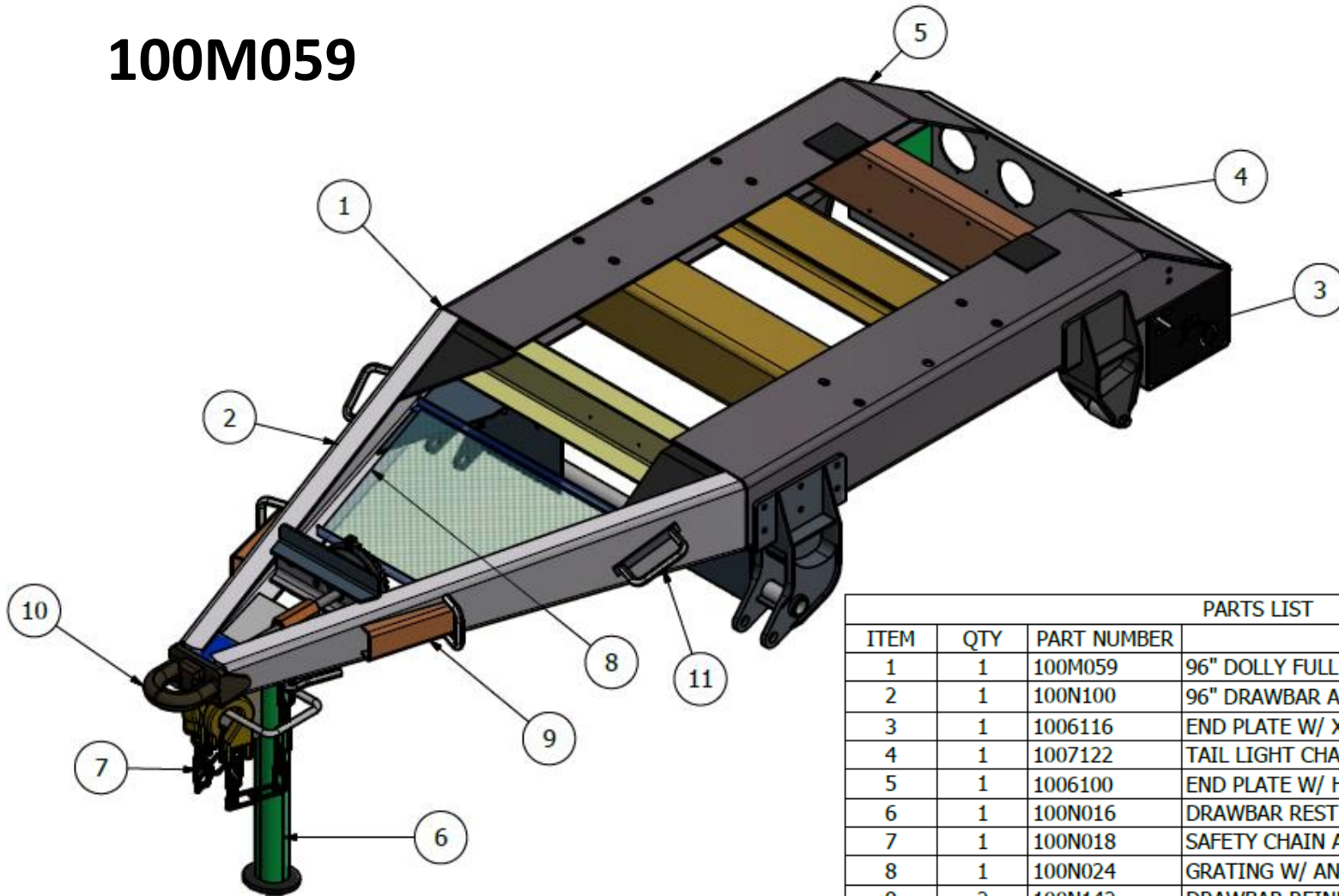
Suspension Assemblies.....	13-14
----------------------------	-------



**FRAME ASSEMBLIES  
FOR  
XPO DOLLIES**

# DOLLY FRAME ASSEMBLY 96" (XPODDN00A-06)

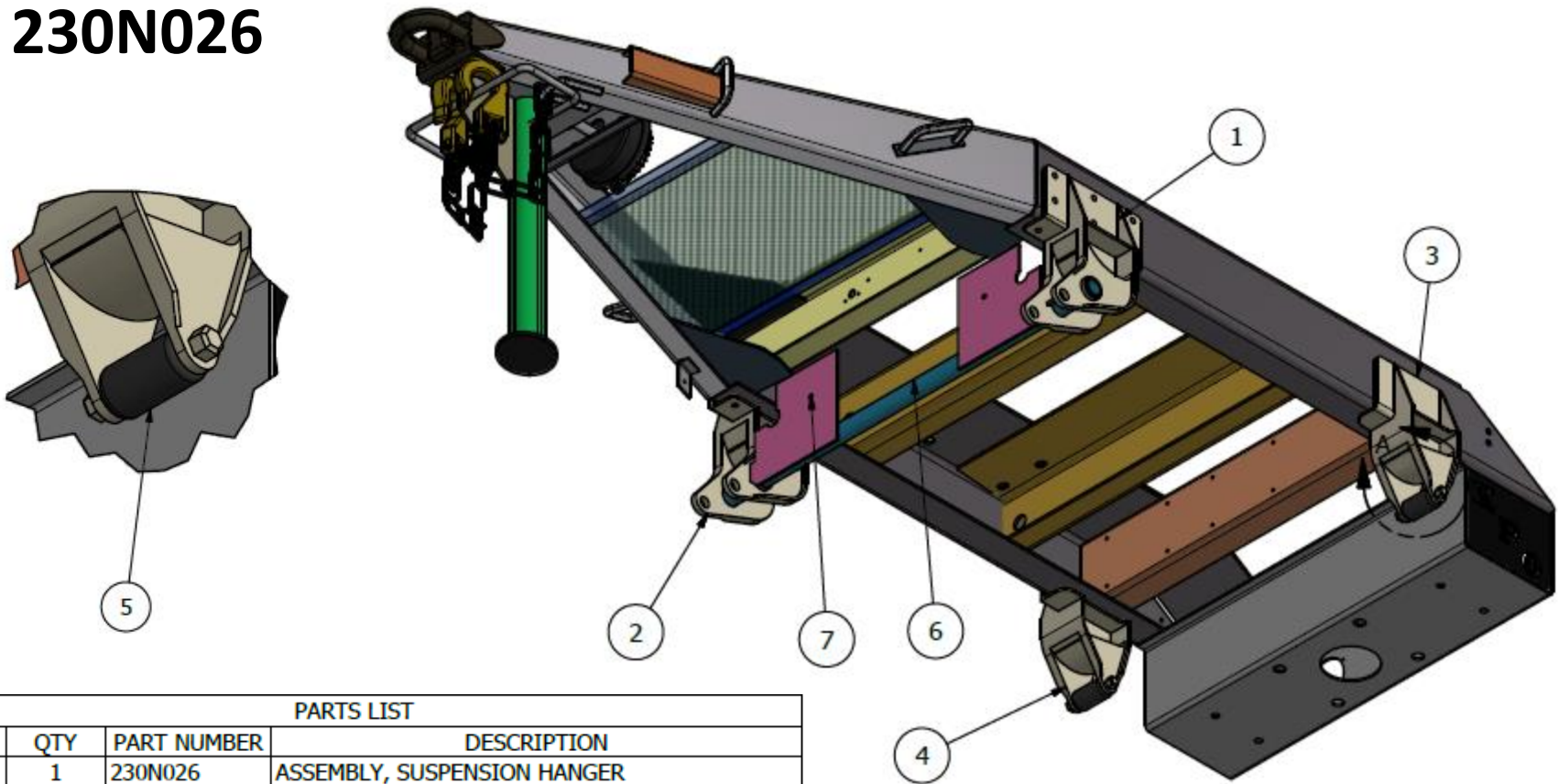
100M059



PARTS LIST			
ITEM	QTY	PART NUMBER	DESCRIPTION
1	1	100M059	96" DOLLY FULL FRAME
2	1	100N100	96" DRAWBAR ASSEMBLY
3	1	1006116	END PLATE W/ XPO LOGO
4	1	1007122	TAIL LIGHT CHANNEL W/ WINCH
5	1	1006100	END PLATE W/ HOLES
6	1	100N016	DRAWBAR REST STAND ASSEMBLY
7	1	100N018	SAFETY CHAIN ASSEMBLY
8	1	100N024	GRATING W/ ANGLES ASSEMBLY
9	2	100N142	DRAWBAR REINFORCEMENT ASSEMBLY
10	1	100N901	EYE AND AIR CHAMBER ASSEMBLY
11	2	101N004	PULL HANDLE ASSEMBLY

# CAST HANGER ASSEMBLY 96" (06)

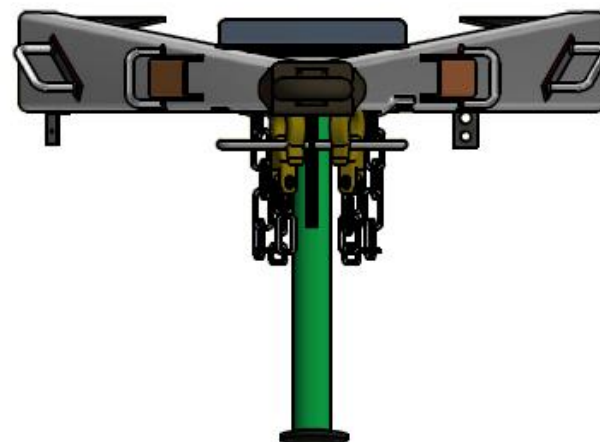
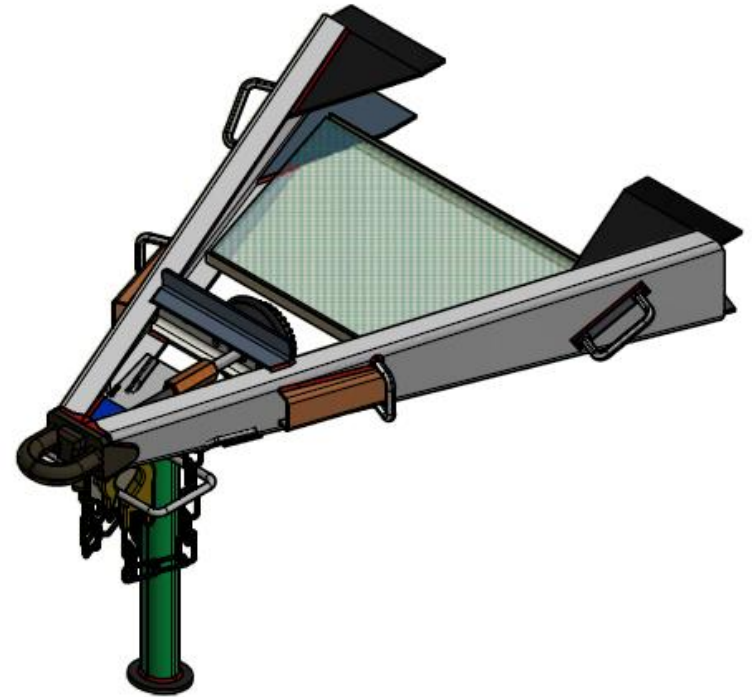
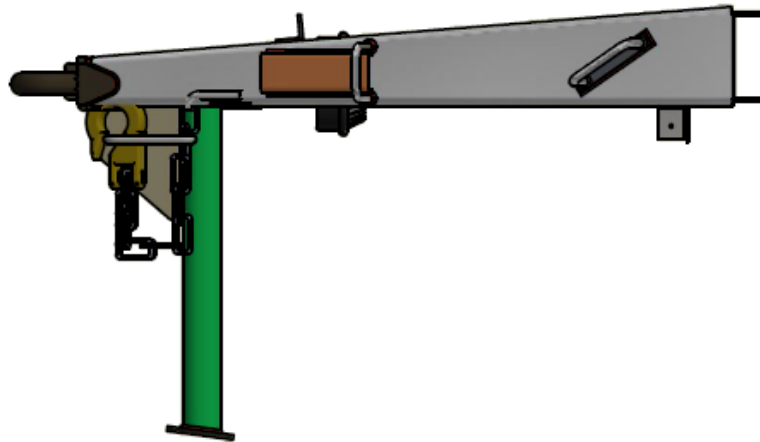
230N026



PARTS LIST			
ITEM	QTY	PART NUMBER	DESCRIPTION
	1	230N026	ASSEMBLY, SUSPENSION HANGER
1	1	2300152	HANGER, FLANGE L/H-CAST FRONT
2	1	2300153	HANGER, FLANGE R/H-CAST FRONT
3	1	2300154	HANGER, FLANGE L/H-CAST REAR
4	1	2300155	HANGER, FLANGE R/H-CAST REAR
5	2	2300150	BUSHING, RUBBER - REAR
6	1	1004102	TIE BAR PIPE CONGEAR
7	2	1006107	GUSSET, TIE BAR

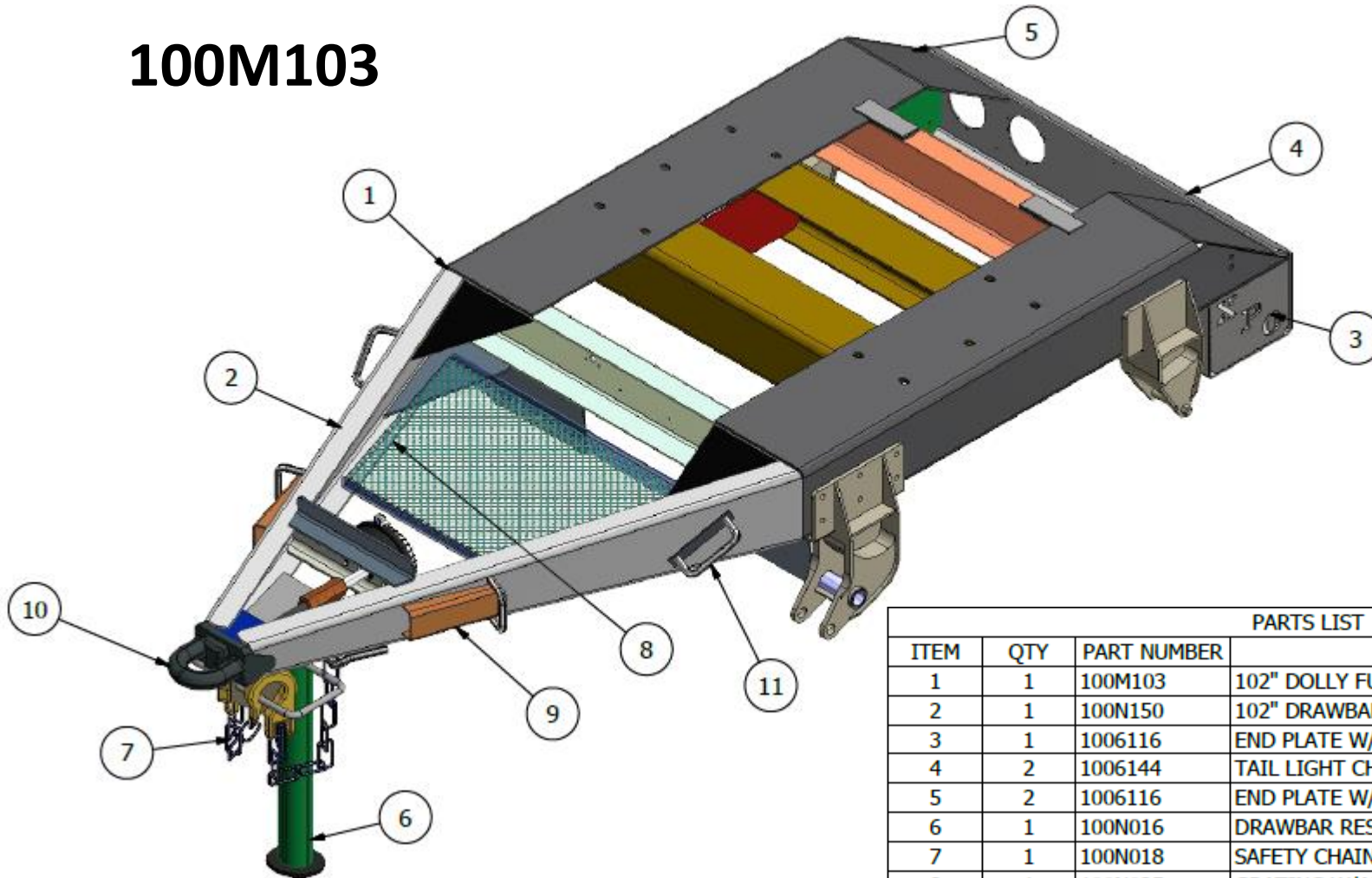
# DRAWBAR ASSEMBLY 96" (XPODDN00A-06)

100N100



# DOLLY FRAME ASSEMBLY 102" (XPODDN00A-07/08)

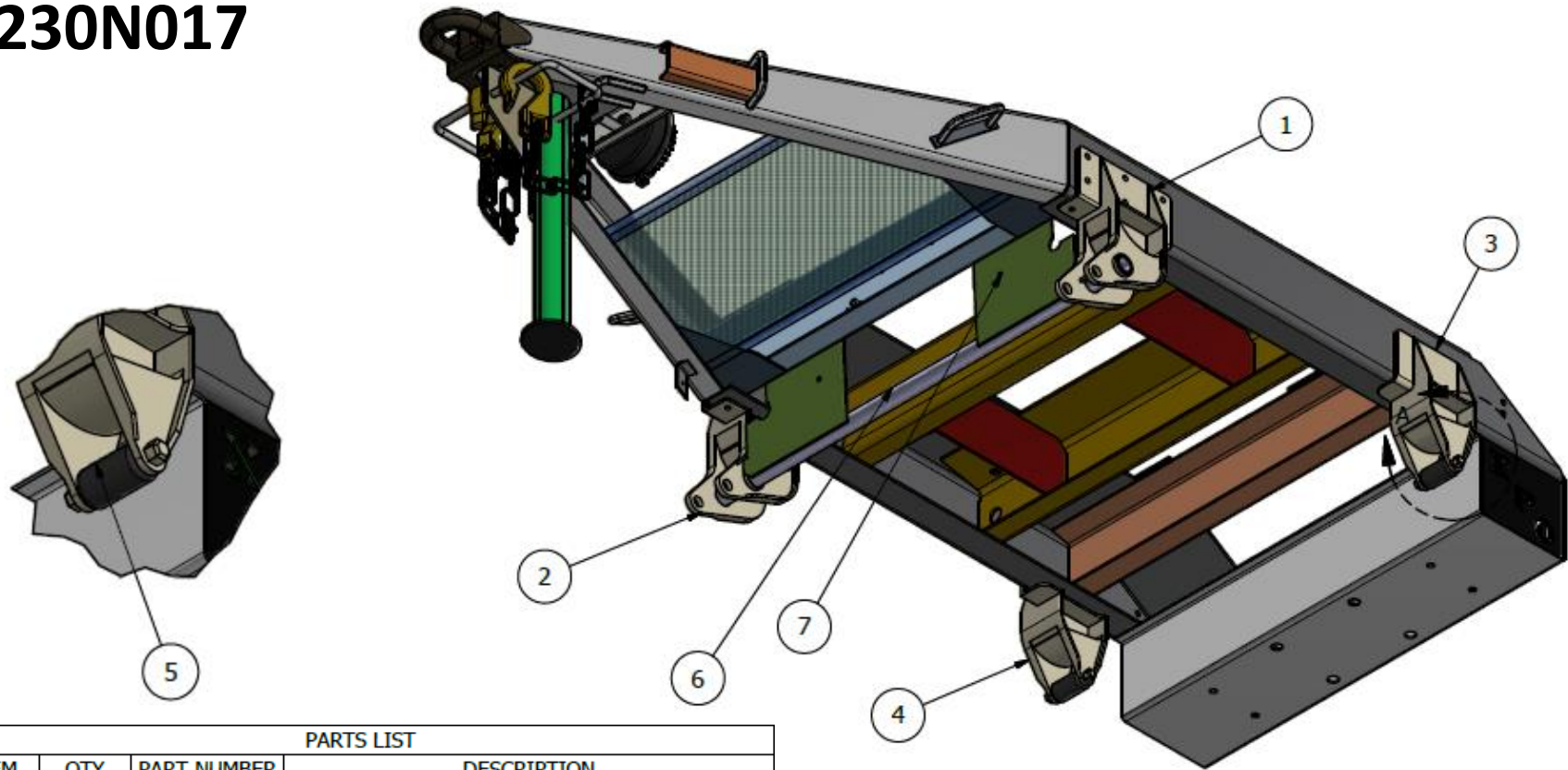
## 100M103



PARTS LIST			
ITEM	QTY	PART NUMBER	DESCRIPTION
1	1	100M103	102" DOLLY FULL FRAME
2	1	100N150	102" DRAWBAR ASSEMBLY
3	1	1006116	END PLATE W/ XPO LOGO
4	2	1006144	TAIL LIGHT CHANNEL
5	2	1006116	END PLATE W/ HOLES
6	1	100N016	DRAWBAR REST STAND ASSEMBLY
7	1	100N018	SAFETY CHAIN ASSEMBLY
8	1	100N025	GRATING W/ANGLES ASSEMBLY
9	1	100N142	DRAWBAR REINFORCEMENT ASSEMBLY
10	2	100N901	EYE AND AUR CHAMBER ASSEMBLY
11	1	100N004	PULL HANDLE ASSEMBLY

# CAST HANGER ASSEMBLY 102" (07/08/09/10)

## 230N017

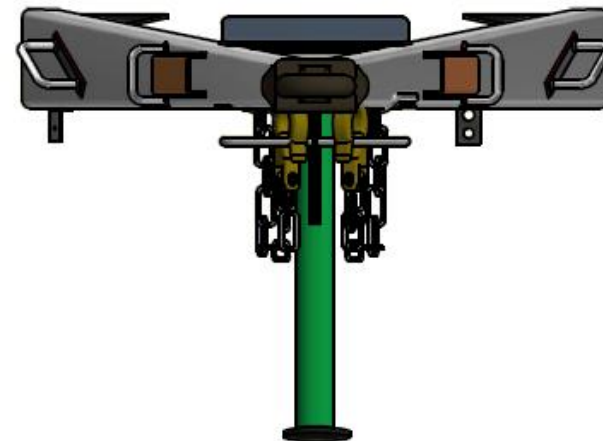
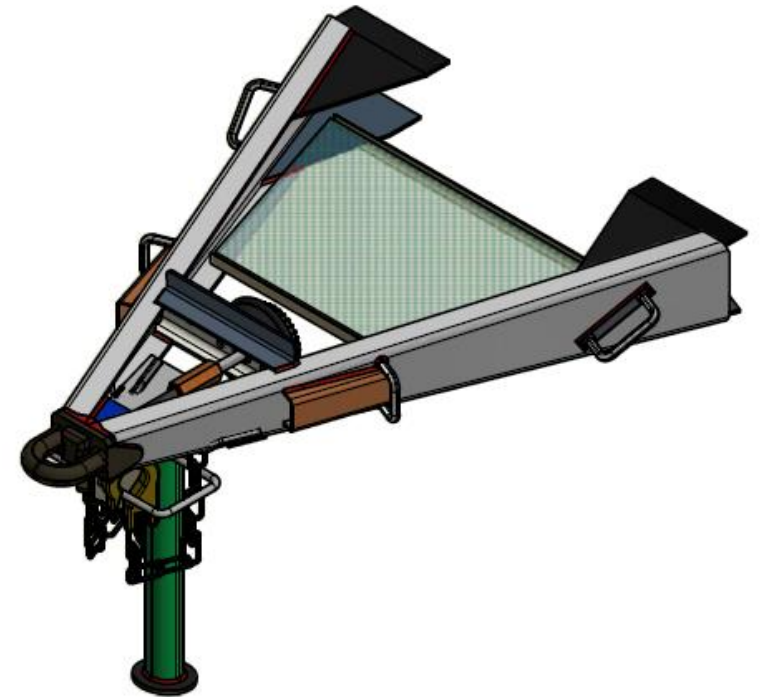
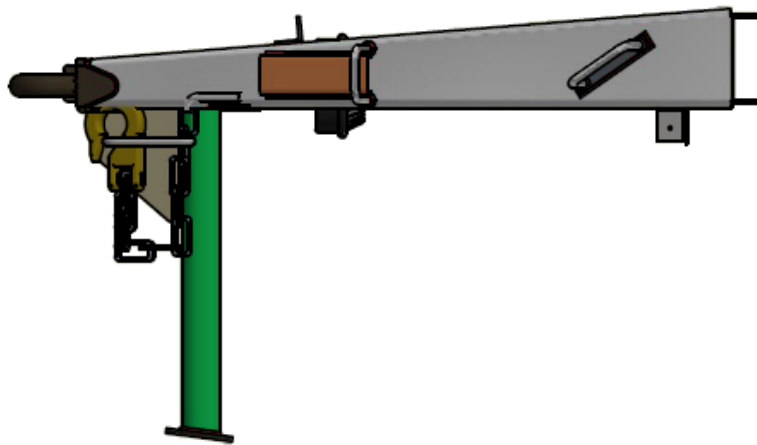


PARTS LIST			
ITEM	QTY	PART NUMBER	DESCRIPTION
	1	230N017	HANGER ASSEMBLY W/BUSHINGS, QTY(4)
1	1	2300152	HANGER, FLANGE L/H-CAST FRONT
2	1	2300153	HANGER, FLANGE R/H-CAST FRONT
3	1	2300154	HANGER, FLANGE L/H-CAST REAR
4	1	2300155	HANGER, FLANGE R/H-CAST REAR
5	1	2300150	BUSHING, RUBBER-REAR HANGER
6	1	2104614	TIE BAR, PIPE 49"
7	2	1006119	GUSSET, TIE BAR



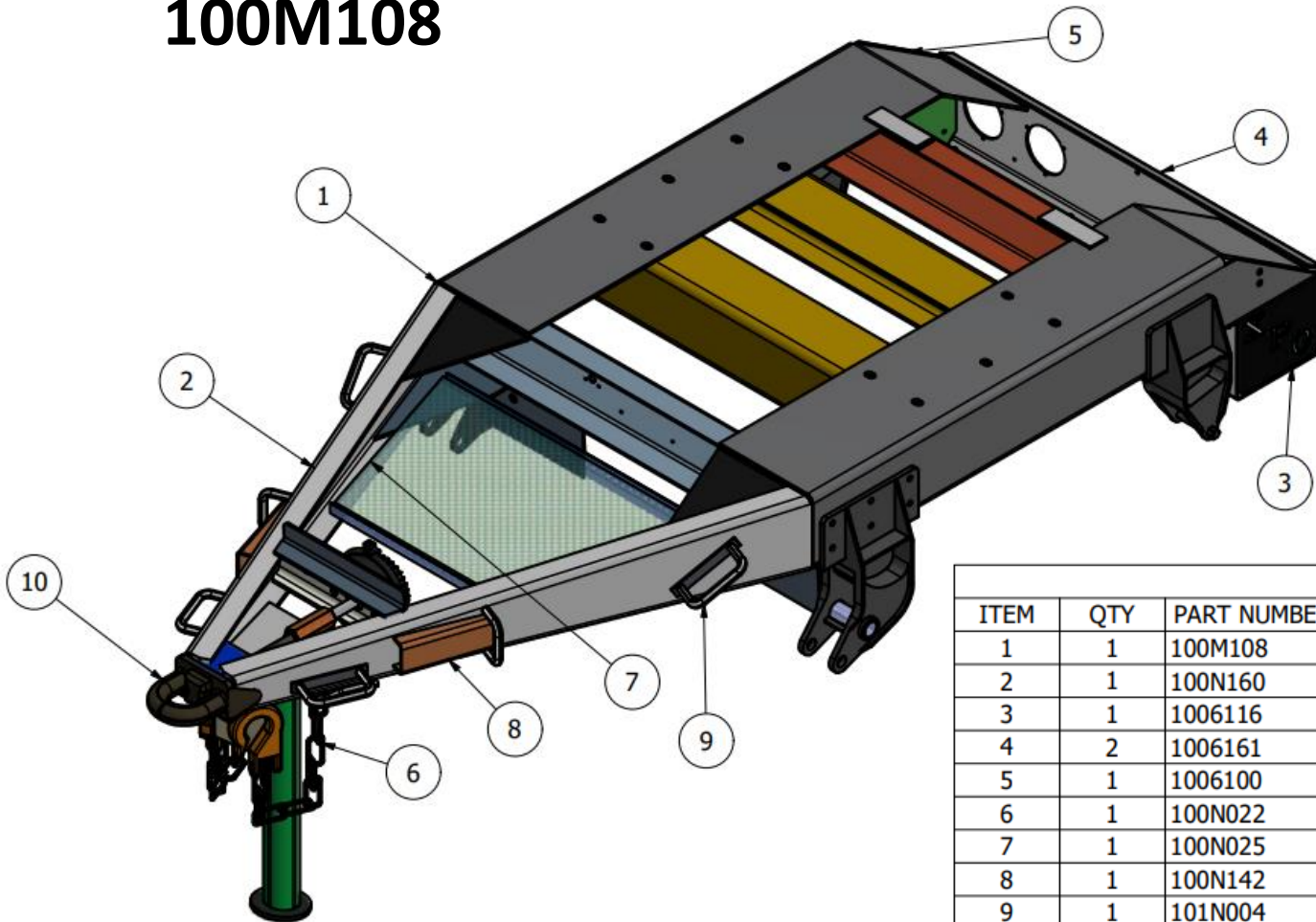
# DRAWBAR ASSEMBLY 102" (XPODDN00A-07/08)

100N150



# DOLLY FRAME ASSEMBLY 102" (XPODDN00A-09/10)

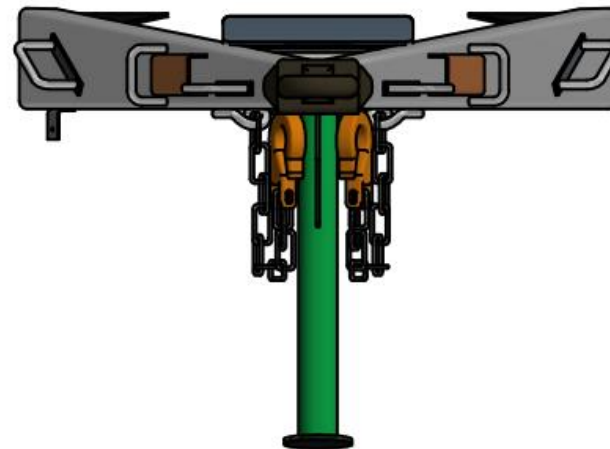
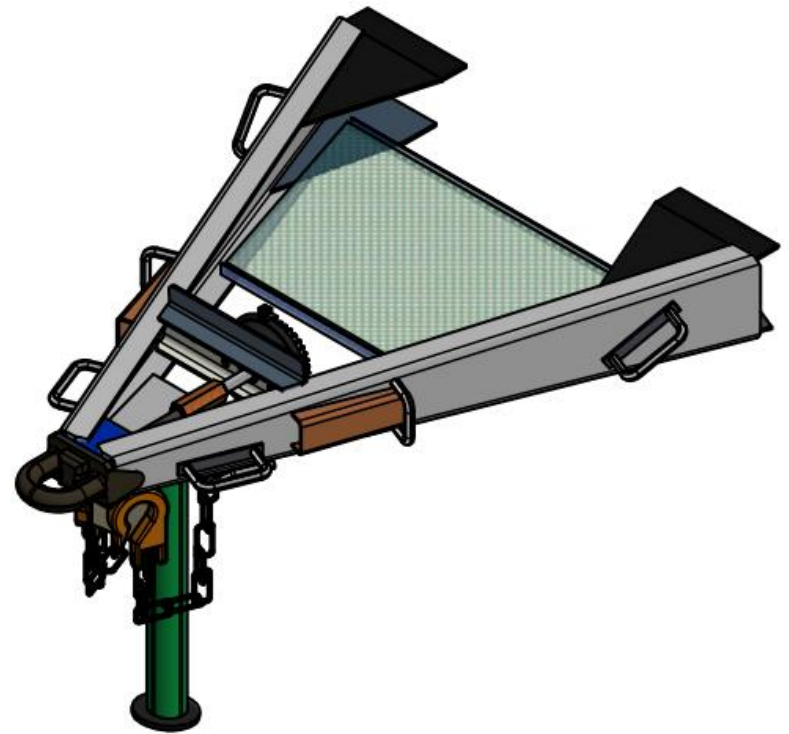
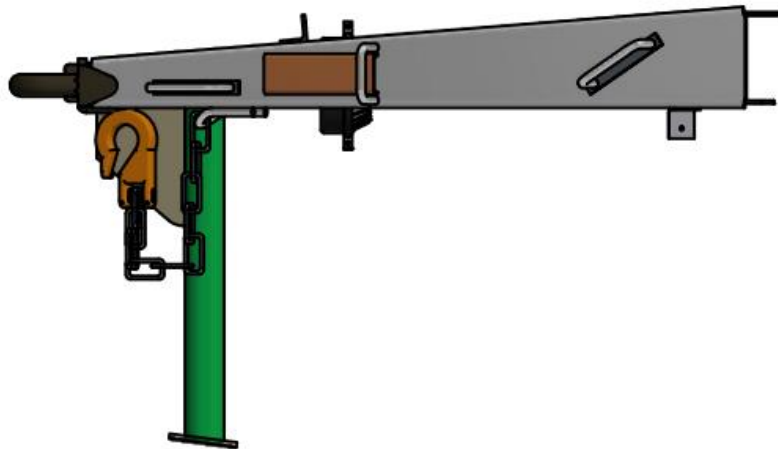
## 100M108



PARTS LIST			
ITEM	QTY	PART NUMBER	DESCRIPTION
1	1	100M108	102" DOLLY FRAME ASSEMBLY
2	1	100N160	102" DRAWBAR ASSEMBLY
3	1	1006116	END PLATE W/ XPO LOGO
4	2	1006161	TAIL LIGHT CHANNEL
5	1	1006100	END PLATE W/ HOLES R/S
6	1	100N022	SAFETY CHAIN ASSEMBLY
7	1	100N025	GRATING W/ ANGLES ASSEMBLY
8	1	100N142	DRAWBAR REINFORCEMENT ASSEMBLY
9	1	101N004	PULL HANDLE ASSEMBLY
10	1	1009101	EYE ASSEMBLY

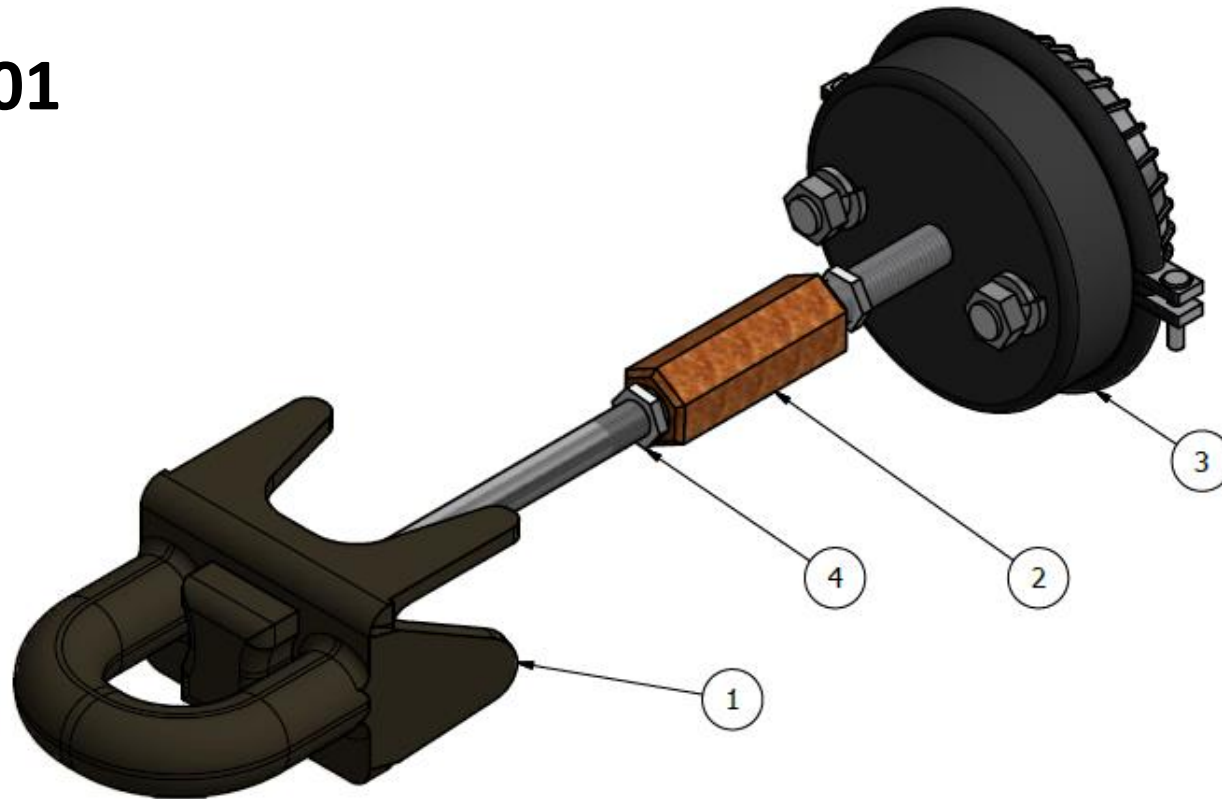
# DRAWBAR ASSEMBLY 102" (XPODDN00A-09/10)

100N150



# EYE AND AIR CHAMBER ASSEMBLY

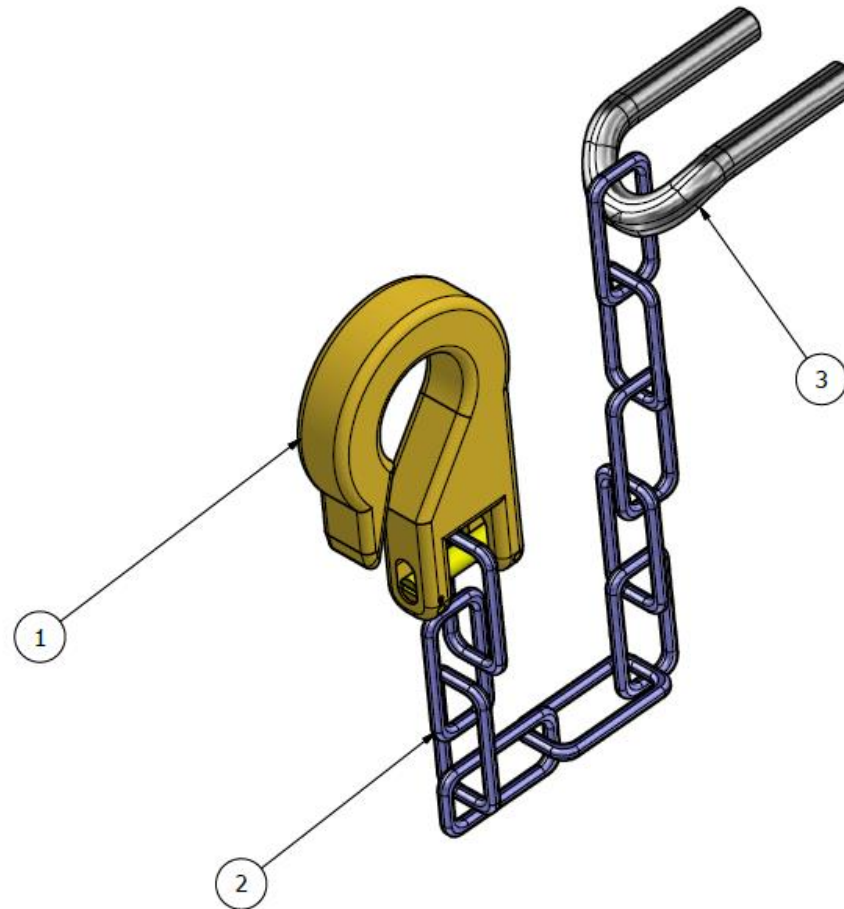
## 100N901



PARTS LIST			
ITEM	QTY	PART NUMBER	DESCRIPTION
1	1	1009101	EYE AY, ADJ DRAW BAR
2	1	1009102	COUPLER, THREADED 3 5/8" LONG #47
3	1	1009130	AIR BRAKE CHAMBER TYPE 24, 2 1/2" STROKE
4	2	6100756	NUT, 3/4-16 x 27/64" JAM

# SAFETY CHAIN ASSEMBLY (XPODDN00A-07/08)

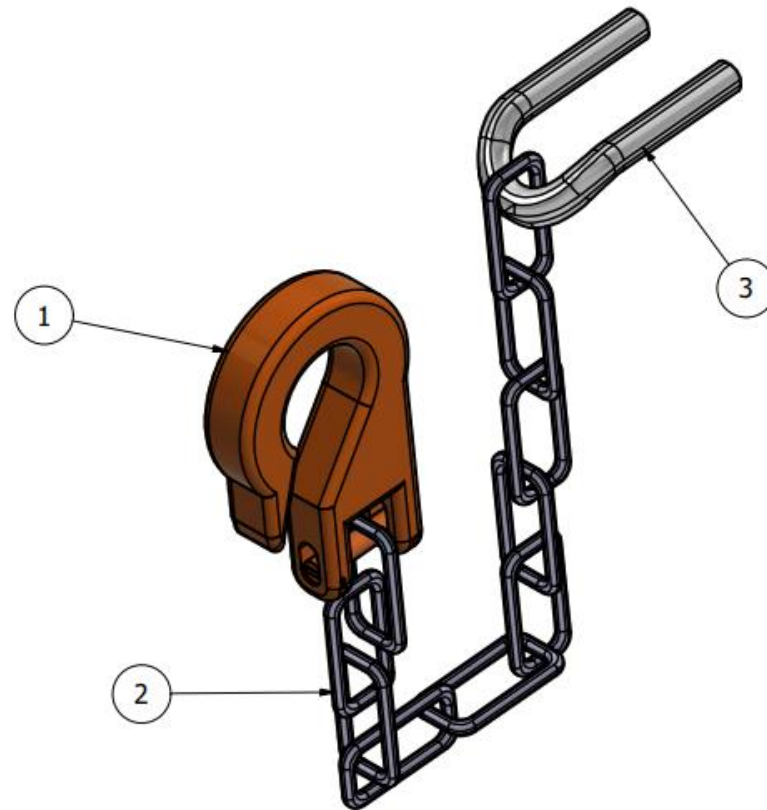
100N018



PARTS LIST			
ITEM	QTY	PART NUMBER	DESCRIPTION
1	1	1009108	HOOK, GUNNEBO
2	1	1009111	CHAIN, 1/2 HI TEST - 9,200 LB
3	1	1007220	HANGER, SAFETY CHAIN

# SAFETY CHAIN ASSEMBLY (XPODDN00A-09/10)

## 100N022



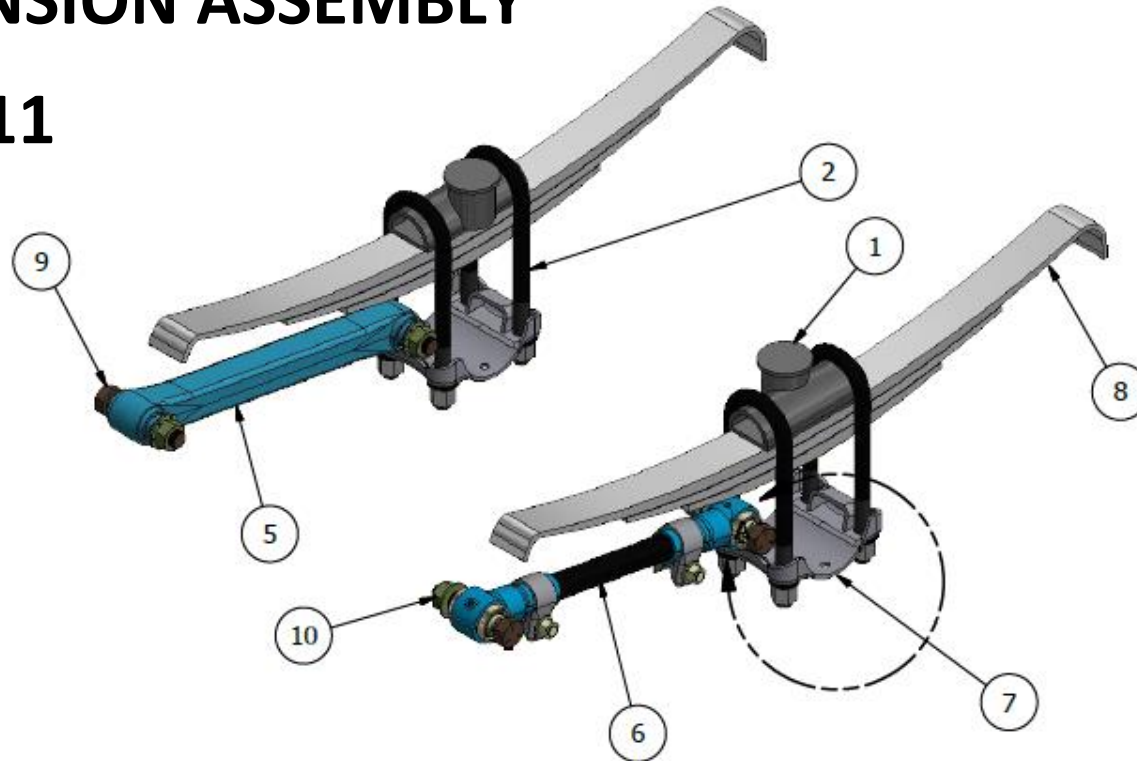
PARTS LIST			
ITEM	QTY	PART NUMBER	DESCRIPTION
1	1	1009152	CLEVIS SLING HOOK X100
2	1	1000911	CHAIN, 1/2" HI TEST-9200 LB
3	1	1007220	HANGER, SAFETY CHAIN



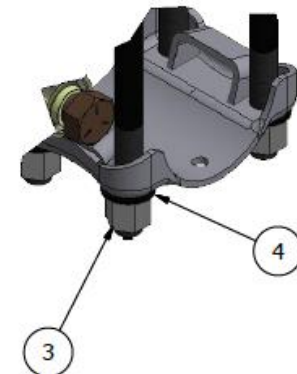
**SUSPENSION ASSEMBLIES**  
**FOR**  
**XPO DOLLIES**

# SUSPENSION ASSEMBLY

## 102N011



PARTS LIST			
ITEM	QTY	PART NUMBER	DESCRIPTION
1	2	101N026	AXLE STOP PIPE, DOLLY ASSEMBLY
2	4	2300908	U-BOLT 11 3/4"
3	8	6100876	NUT 7/8"-14 HIGH 2B
4	8	6200938	WASHER 7/8" FLAT HARDENED
5	1	2300107	TORQUE ARM, NON ADJUSTABLE
6	1	2300151	TORQUE ARM-SCREW TYPE
7	2	2300119	PLATE BOTTOM -5" ROUND AXLE
8	2	2300163	SPRING, 3 LEAF LOW ARCH
9	4	6000951	BOLT, 1"-14 x 5" GRADE 5
10	4	6100951	NUT 1"-14 FLANGE LOCK



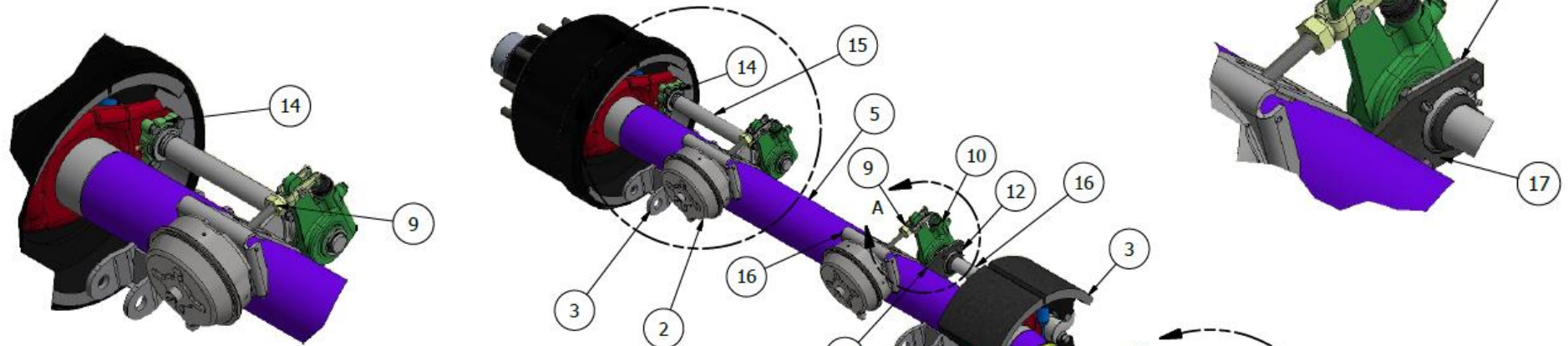




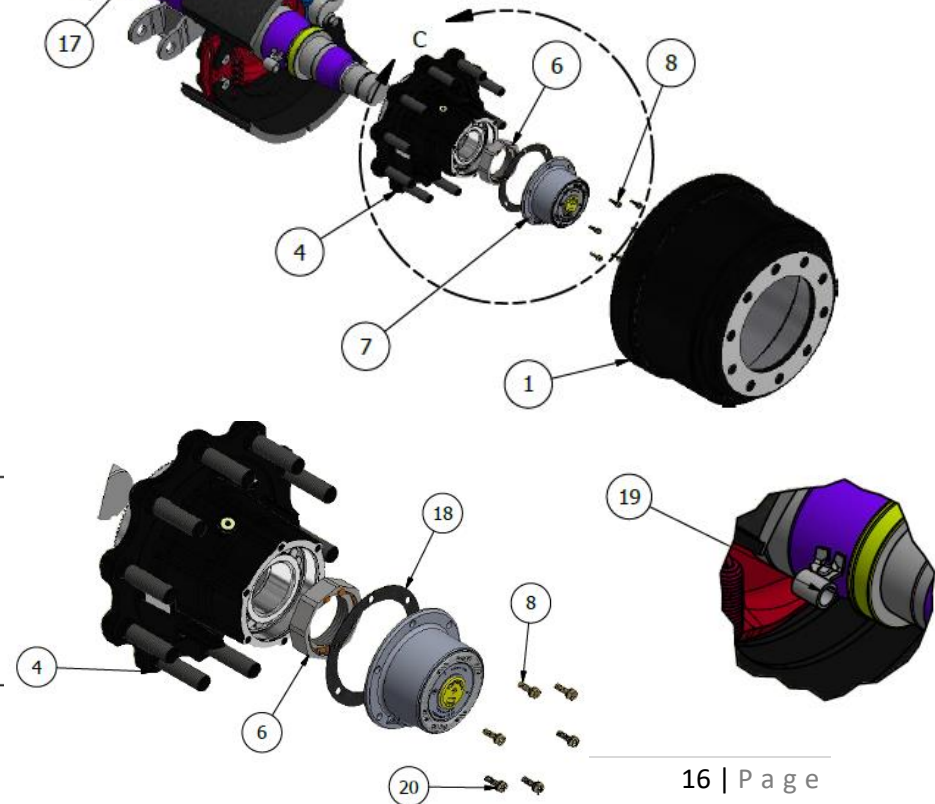
**AXLE ASSEMBLIES  
FOR  
XPO DOLLIES**

# AXLE AND WHEEL END ASSEMBLY W/ OIL

## 100M094 (TAPERED AXEL, 06 ONLY)

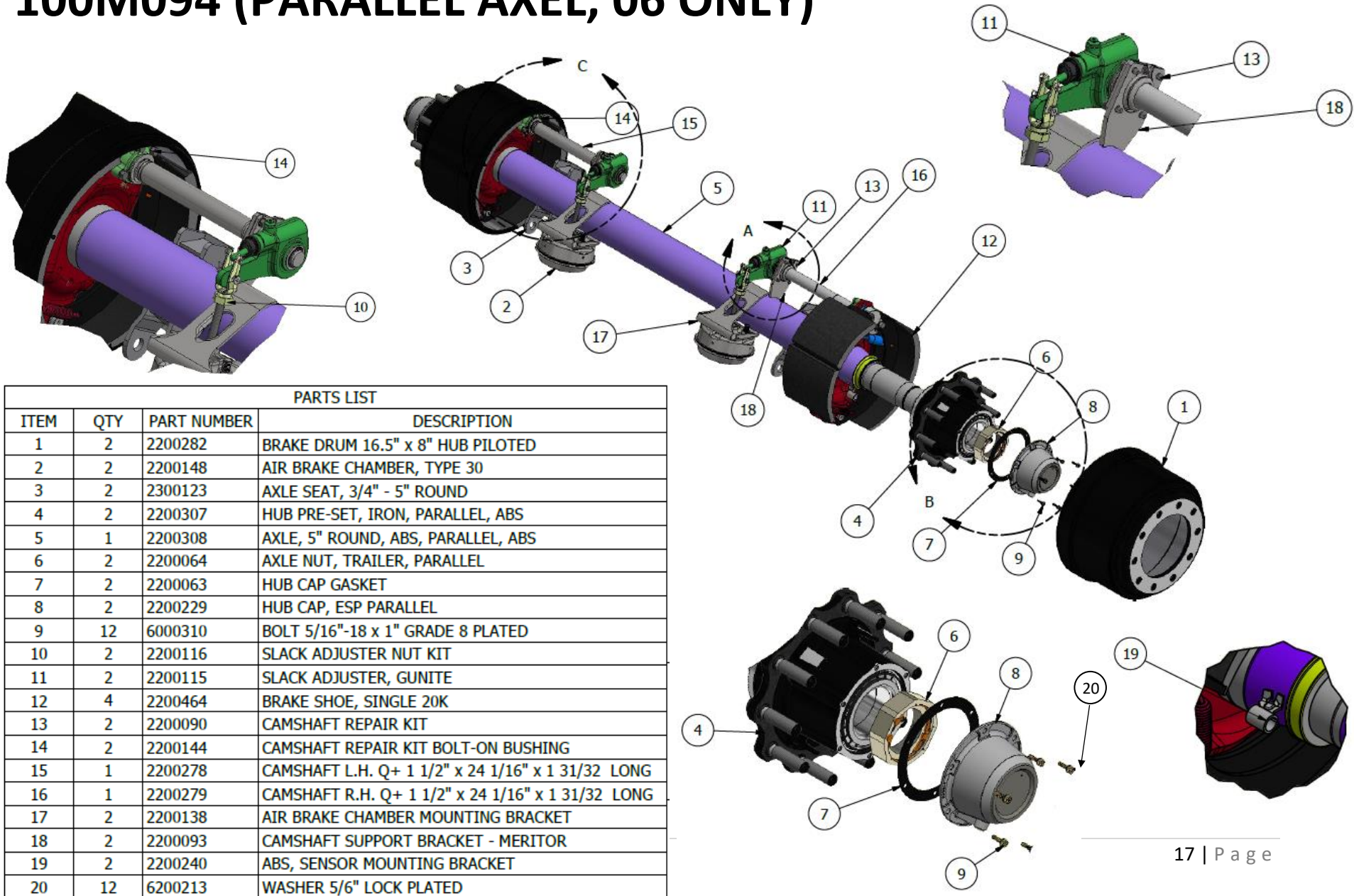


PARTS LIST			
ITEM	QTY	PART NUMBER	DESCRIPTION
1	2	2200282	BRAKE DRUM 16.5" x 8" HUB PILOTED
2	2	2200148	AIR BRAKE CHAMBER, TYPE 30
3	2	2300123	AXLE SEAT, 3/4" - 5" ROUND
4	2	2300317	HUB PRE-SET, IRON, TAPERED, ABS
5	1	2200005	AXLE, 5" ROUND, ABS, TAPERED, ABS
6	2	9100203	AXLE NUT, TRAILER, TAPERED
7	2	2200270	HUB CAP DUAL DYNAMIC YELLOW W/ GASKET
8	12	6000310	BOLT 5/16"-18 x 1" GRADE 8 PLATED
9	2	2200116	SLACK ADJUSTER NUT KIT
10	2	2200115	SLACK ADJUSTER, GUNITE
11	4	2200464	BRAKE SHOE, SINGLE 20K
12	2	2200090	CAMSHAFT REPAIR KIT
13	2	2200144	CAMSHAFT REPAIR KIT BOLT-ON BUSHING
14	1	2200278	CAMSHAFT L.H. Q+ 1 1/2" x 24 1/16" x 1 31/32 LONG
15	1	2200279	CAMSHAFT R.H. Q+ 1 1/2" x 24 1/16" x 1 31/32 LONG
16	2	2200138	AIR BRAKE CHAMBER MOUNTING BRACKET
17	2	2200093	CAMSHAFT SUPPORT BRACKET - MERITOR
18	2	2200187	GASKET, HUB CAP, TAPERED
19	2	2200240	ABS, SENSOR MOUNTING BRACKET
20	12	6200213	WASHER 5/6" LOCK PLATED



# AXLE AND WHEEL END ASSEMBLY W/ GREASE

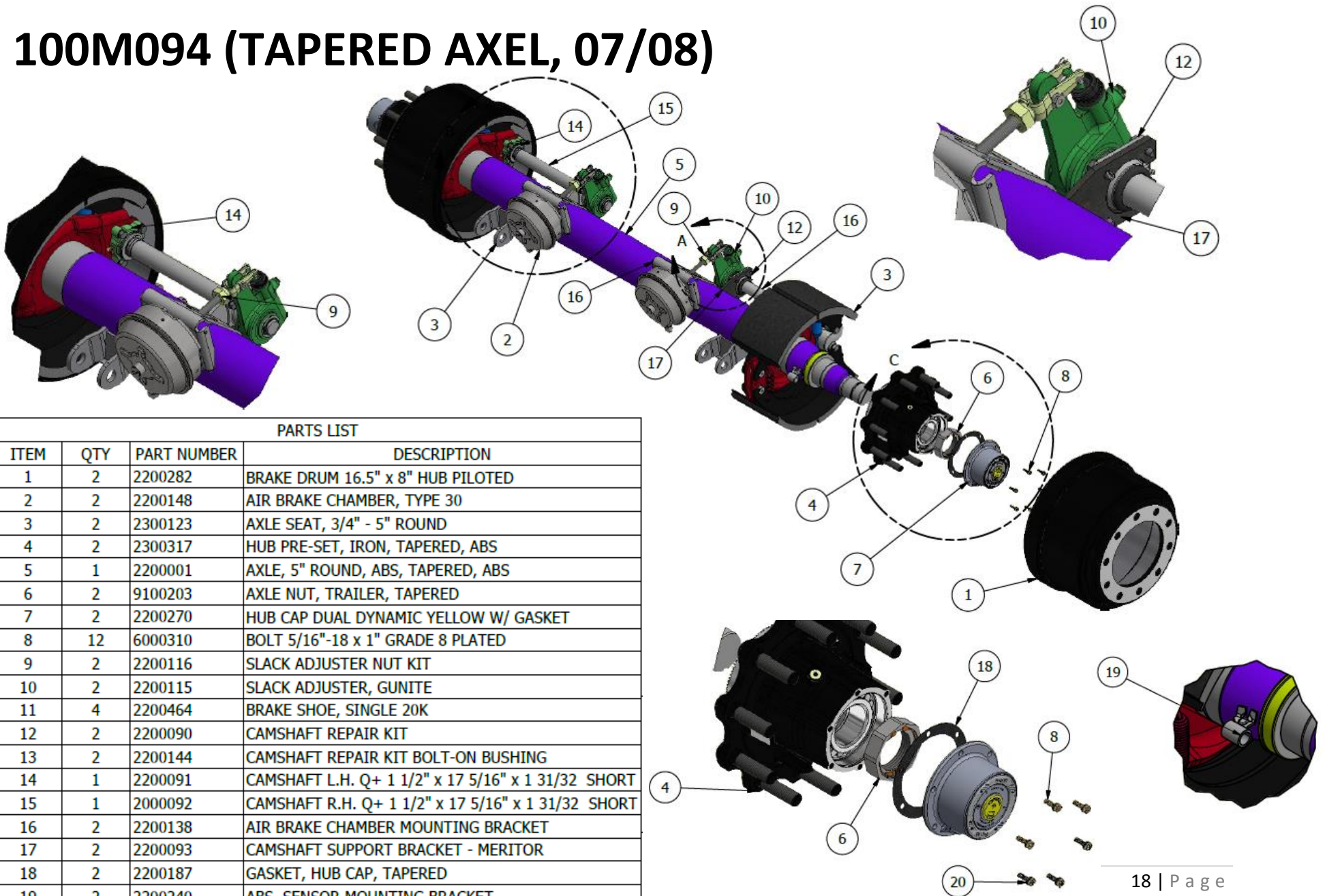
## 100M094 (PARALLEL AXEL, 06 ONLY)



PARTS LIST			
ITEM	QTY	PART NUMBER	DESCRIPTION
1	2	2200282	BRAKE DRUM 16.5" x 8" HUB PILOTED
2	2	2200148	AIR BRAKE CHAMBER, TYPE 30
3	2	2300123	AXLE SEAT, 3/4" - 5" ROUND
4	2	2200307	HUB PRE-SET, IRON, PARALLEL, ABS
5	1	2200308	AXLE, 5" ROUND, ABS, PARALLEL, ABS
6	2	2200064	AXLE NUT, TRAILER, PARALLEL
7	2	2200063	HUB CAP GASKET
8	2	2200229	HUB CAP, ESP PARALLEL
9	12	6000310	BOLT 5/16"-18 x 1" GRADE 8 PLATED
10	2	2200116	SLACK ADJUSTER NUT KIT
11	2	2200115	SLACK ADJUSTER, GUNITE
12	4	2200464	BRAKE SHOE, SINGLE 20K
13	2	2200090	CAMSHAFT REPAIR KIT
14	2	2200144	CAMSHAFT REPAIR KIT BOLT-ON BUSHING
15	1	2200278	CAMSHAFT L.H. Q+ 1 1/2" x 24 1/16" x 1 31/32 LONG
16	1	2200279	CAMSHAFT R.H. Q+ 1 1/2" x 24 1/16" x 1 31/32 LONG
17	2	2200138	AIR BRAKE CHAMBER MOUNTING BRACKET
18	2	2200093	CAMSHAFT SUPPORT BRACKET - MERITOR
19	2	2200240	ABS, SENSOR MOUNTING BRACKET
20	12	6200213	WASHER 5/6" LOCK PLATED

# AXLE AND WHEEL END ASSEMBLY W/ OIL

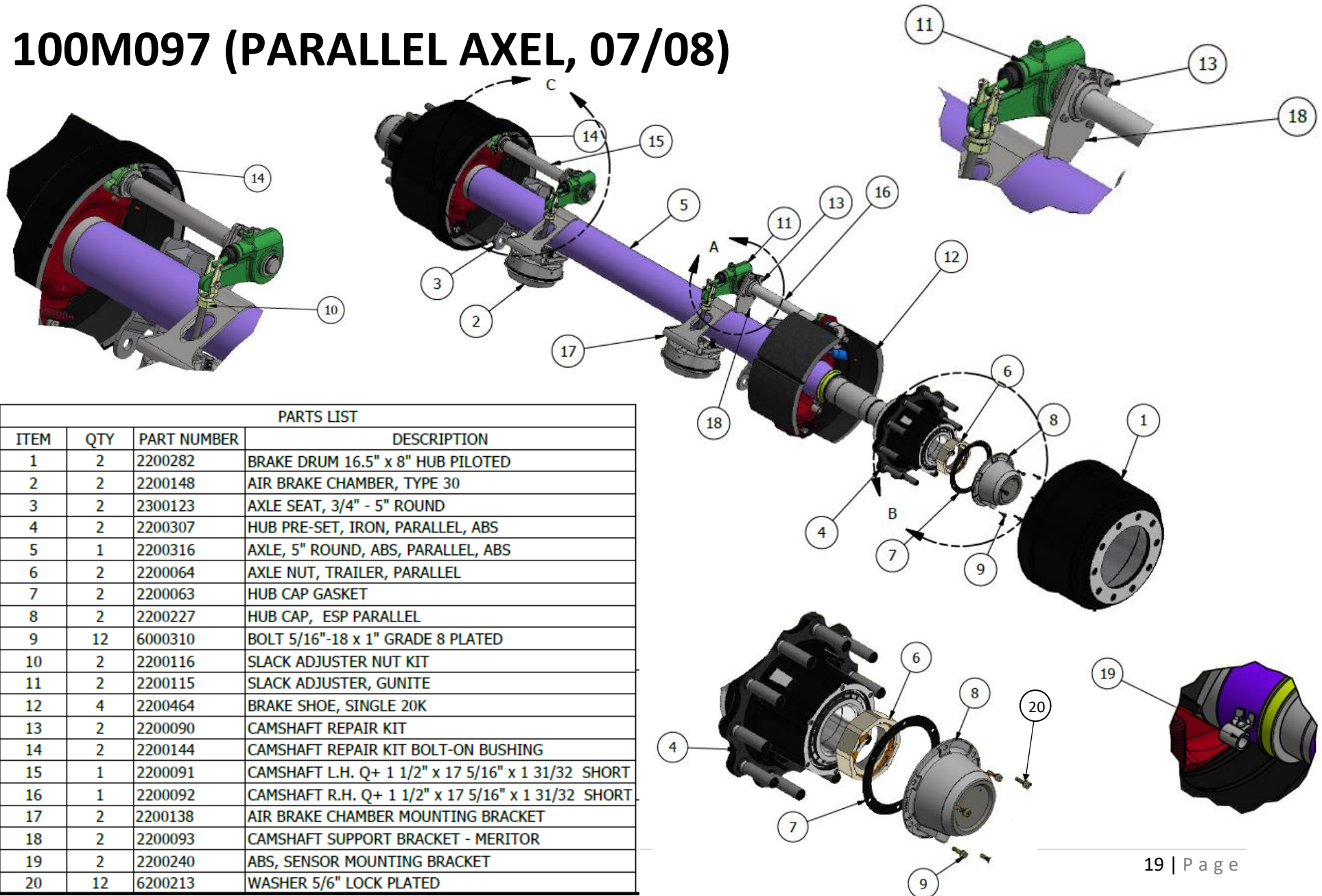
## 100M094 (TAPERED AXEL, 07/08)



PARTS LIST			
ITEM	QTY	PART NUMBER	DESCRIPTION
1	2	2200282	BRAKE DRUM 16.5" x 8" HUB PILOTED
2	2	2200148	AIR BRAKE CHAMBER, TYPE 30
3	2	2300123	AXLE SEAT, 3/4" - 5" ROUND
4	2	2300317	HUB PRE-SET, IRON, TAPERED, ABS
5	1	2200001	AXLE, 5" ROUND, ABS, TAPERED, ABS
6	2	9100203	AXLE NUT, TRAILER, TAPERED
7	2	2200270	HUB CAP DUAL DYNAMIC YELLOW W/ GASKET
8	12	6000310	BOLT 5/16"-18 x 1" GRADE 8 PLATED
9	2	2200116	SLACK ADJUSTER NUT KIT
10	2	2200115	SLACK ADJUSTER, GUNITE
11	4	2200464	BRAKE SHOE, SINGLE 20K
12	2	2200090	CAMSHAFT REPAIR KIT
13	2	2200144	CAMSHAFT REPAIR KIT BOLT-ON BUSHING
14	1	2200091	CAMSHAFT L.H. Q+ 1 1/2" x 17 5/16" x 1 31/32 SHORT
15	1	2000092	CAMSHAFT R.H. Q+ 1 1/2" x 17 5/16" x 1 31/32 SHORT
16	2	2200138	AIR BRAKE CHAMBER MOUNTING BRACKET
17	2	2200093	CAMSHAFT SUPPORT BRACKET - MERITOR
18	2	2200187	GASKET, HUB CAP, TAPERED
19	2	2200240	ABS, SENSOR MOUNTING BRACKET
20	12	6200213	WASHER 5/6" LOCK PLATED

# AXLE AND WHEEL END ASSEMBLY W/ GREASE

## 100M097 (PARALLEL AXEL, 07/08)

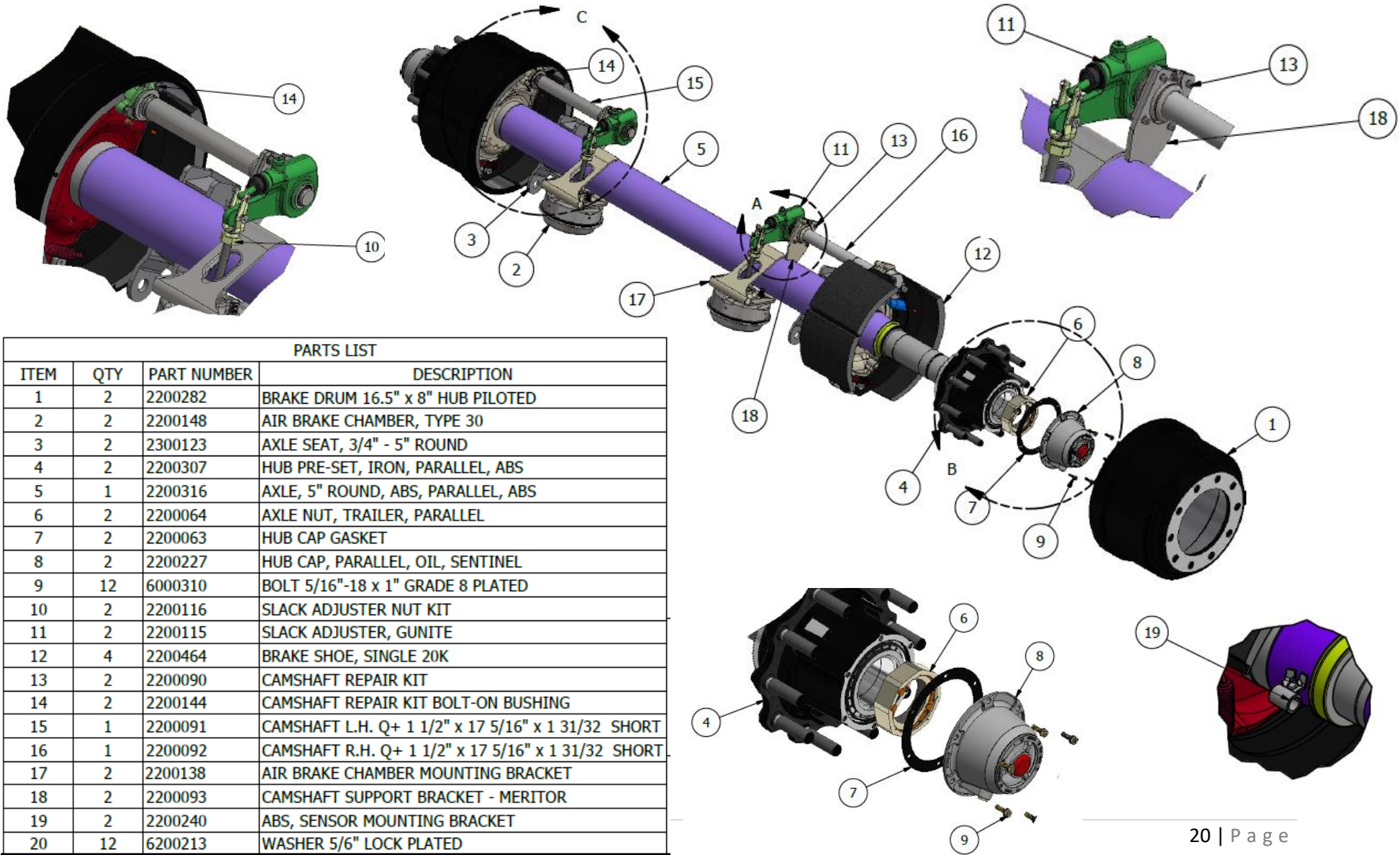


PARTS LIST

ITEM	QTY	PART NUMBER	DESCRIPTION
1	2	2200282	BRAKE DRUM 16.5" x 8" HUB PILOTED
2	2	2200148	AIR BRAKE CHAMBER, TYPE 30
3	2	2300123	AXLE SEAT, 3/4" - 5" ROUND
4	2	2200307	HUB PRE-SET, IRON, PARALLEL, ABS
5	1	2200316	AXLE, 5" ROUND, ABS, PARALLEL, ABS
6	2	2200064	AXLE NUT, TRAILER, PARALLEL
7	2	2200063	HUB CAP GASKET
8	2	2200227	HUB CAP, ESP PARALLEL
9	12	6000310	BOLT 5/16"-18 x 1" GRADE 8 PLATED
10	2	2200116	SLACK ADJUSTER NUT KIT
11	2	2200115	SLACK ADJUSTER, GUNITE
12	4	2200464	BRAKE SHOE, SINGLE 20K
13	2	2200090	CAMSHAFT REPAIR KIT
14	2	2200144	CAMSHAFT REPAIR KIT BOLT-ON BUSHING
15	1	2200091	CAMSHAFT L.H. Q+ 1 1/2" x 17 5/16" x 1 31/32 SHORT
16	1	2200092	CAMSHAFT R.H. Q+ 1 1/2" x 17 5/16" x 1 31/32 SHORT
17	2	2200138	AIR BRAKE CHAMBER MOUNTING BRACKET
18	2	2200093	CAMSHAFT SUPPORT BRACKET - MERITOR
19	2	2200240	ABS, SENSOR MOUNTING BRACKET
20	12	6200213	WASHER 5/6" LOCK PLATED

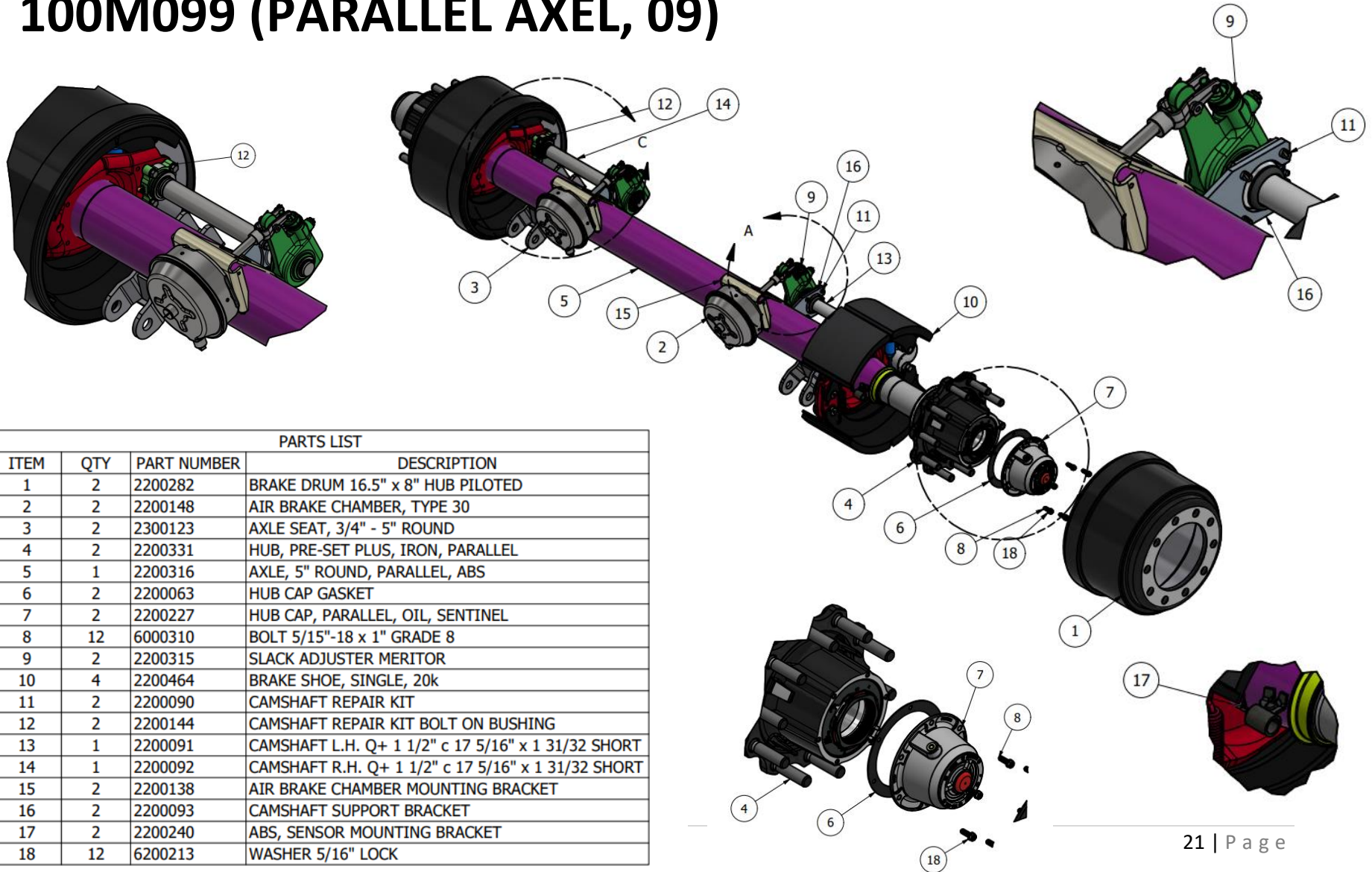
# AXLE AND WHEEL END ASSEMBLY W/ OIL

## 100M097 (PARALLEL AXEL, 07/08/09)



PARTS LIST			
ITEM	QTY	PART NUMBER	DESCRIPTION
1	2	2200282	BRAKE DRUM 16.5" x 8" HUB PILOTED
2	2	2200148	AIR BRAKE CHAMBER, TYPE 30
3	2	2300123	AXLE SEAT, 3/4" - 5" ROUND
4	2	2200307	HUB PRE-SET, IRON, PARALLEL, ABS
5	1	2200316	AXLE, 5" ROUND, ABS, PARALLEL, ABS
6	2	2200064	AXLE NUT, TRAILER, PARALLEL
7	2	2200063	HUB CAP GASKET
8	2	2200227	HUB CAP, PARALLEL, OIL, SENTINEL
9	12	6000310	BOLT 5/16"-18 x 1" GRADE 8 PLATED
10	2	2200116	SLACK ADJUSTER NUT KIT
11	2	2200115	SLACK ADJUSTER, GUNITE
12	4	2200464	BRAKE SHOE, SINGLE 20K
13	2	2200090	CAMSHAFT REPAIR KIT
14	2	2200144	CAMSHAFT REPAIR KIT BOLT-ON BUSHING
15	1	2200091	CAMSHAFT L.H. Q+ 1 1/2" x 17 5/16" x 1 31/32 SHORT
16	1	2200092	CAMSHAFT R.H. Q+ 1 1/2" x 17 5/16" x 1 31/32 SHORT
17	2	2200138	AIR BRAKE CHAMBER MOUNTING BRACKET
18	2	2200093	CAMSHAFT SUPPORT BRACKET - MERITOR
19	2	2200240	ABS, SENSOR MOUNTING BRACKET
20	12	6200213	WASHER 5/6" LOCK PLATED

# AXLE AND WHEEL END ASSEMBLY W/ OIL 100M099 (PARALLEL AXEL, 09)

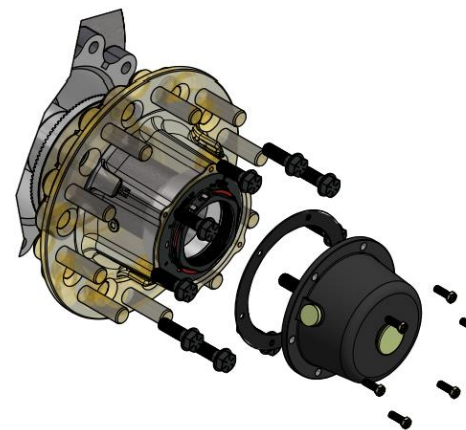


PARTS LIST			
ITEM	QTY	PART NUMBER	DESCRIPTION
1	2	2200282	BRAKE DRUM 16.5" x 8" HUB PILOTED
2	2	2200148	AIR BRAKE CHAMBER, TYPE 30
3	2	2300123	AXLE SEAT, 3/4" - 5" ROUND
4	2	2200331	HUB, PRE-SET PLUS, IRON, PARALLEL
5	1	2200316	AXLE, 5" ROUND, PARALLEL, ABS
6	2	2200063	HUB CAP GASKET
7	2	2200227	HUB CAP, PARALLEL, OIL, SENTINEL
8	12	6000310	BOLT 5/15"-18 x 1" GRADE 8
9	2	2200315	SLACK ADJUSTER MERITOR
10	4	2200464	BRAKE SHOE, SINGLE, 20k
11	2	2200090	CAMSHAFT REPAIR KIT
12	2	2200144	CAMSHAFT REPAIR KIT BOLT ON BUSHING
13	1	2200091	CAMSHAFT L.H. Q+ 1 1/2" c 17 5/16" x 1 31/32 SHORT
14	1	2200092	CAMSHAFT R.H. Q+ 1 1/2" c 17 5/16" x 1 31/32 SHORT
15	2	2200138	AIR BRAKE CHAMBER MOUNTING BRACKET
16	2	2200093	CAMSHAFT SUPPORT BRACKET
17	2	2200240	ABS, SENSOR MOUNTING BRACKET
18	12	6200213	WASHER 5/16" LOCK

# AXLE AND WHEEL END ASSEMBLY W/ OIL 100M109 (PARALLEL AXEL, 10)



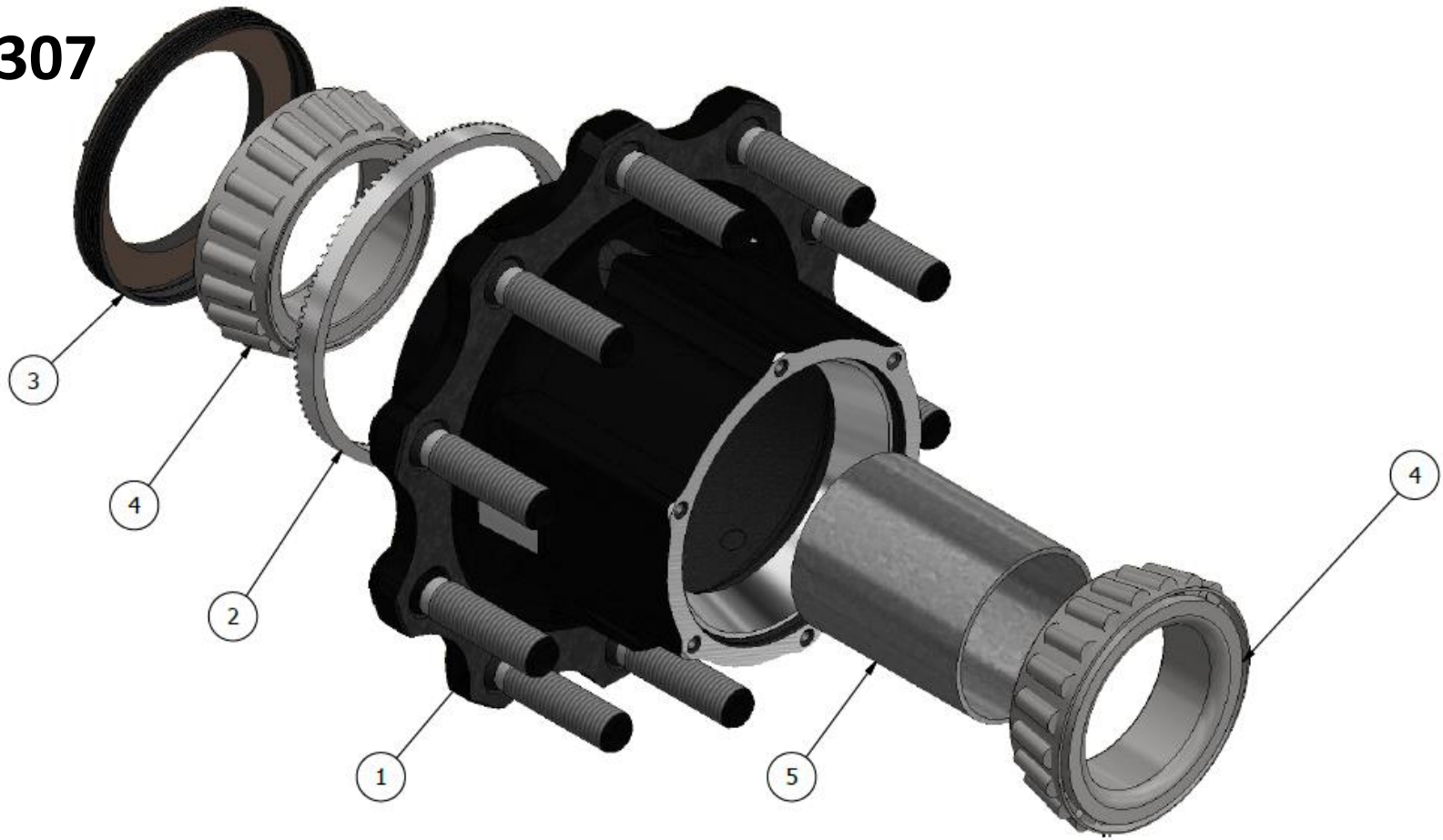
PARTS LIST		
QTY	PART NUMBER	DESCRIPTION
2	2200123	AXLE SEAT, 3/4"
1	2200350	AXLE BEAM, BARE
2	2200410	SKF HUB CAP
2	2201996	HUB/ROTOR (PRESET PLUS)
1	2202002	SERVICE BRAKE CHAMBER, CS
1	2202003	SERVICE BRAKE CHAMBER, RS
1	2202020	CALIPER, RS - LOADED
1	2202021	CALIPER, CS - LOADED
1	2202030	PAD KIT WITH HARDWARE
2	7004521	BRACKET, AIR LINE





# HUB PRE-SET, IRON, PARALLEL, ABS

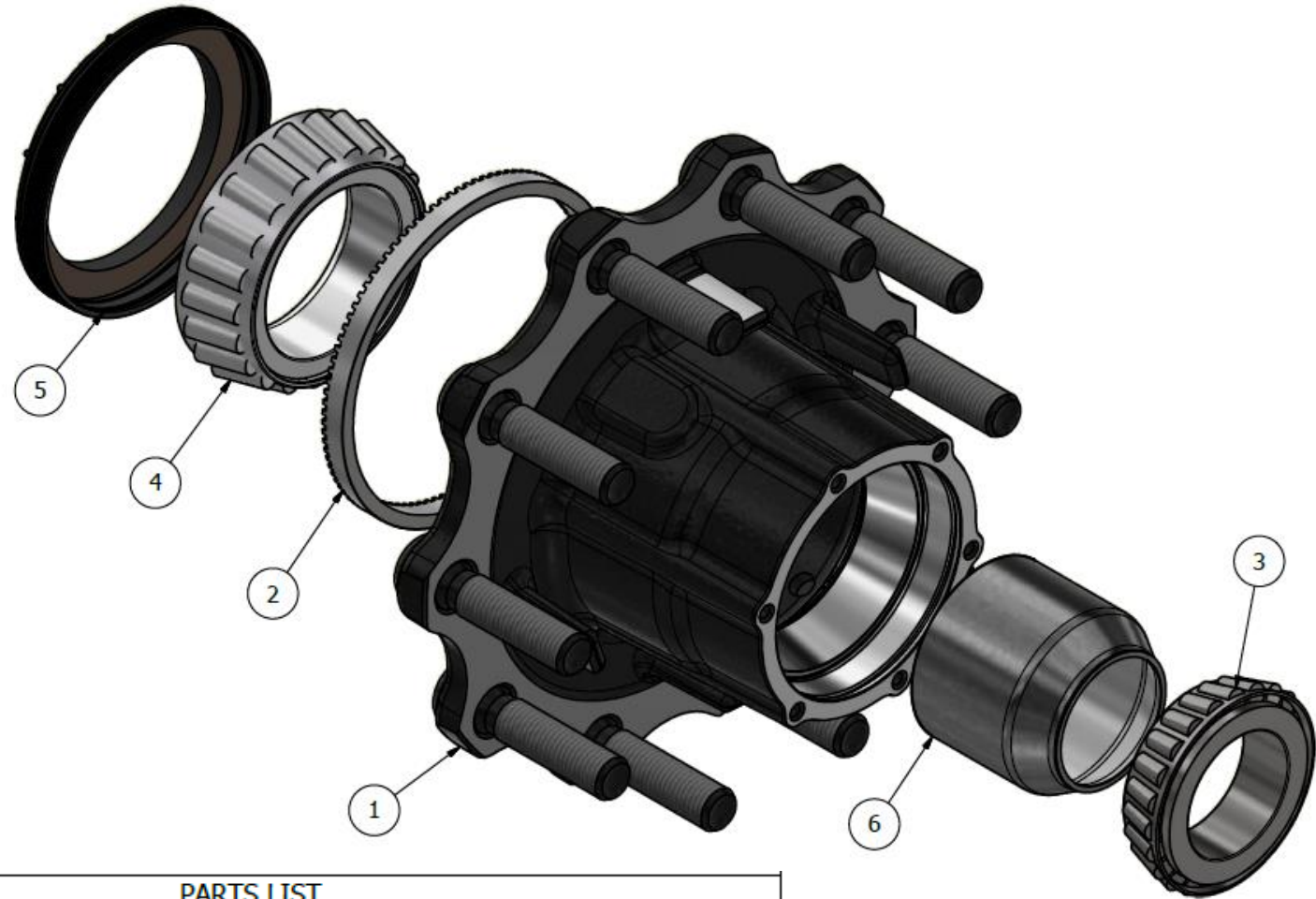
2200307



PARTS LIST			
ITEM	QTY	PART NUMBER	DESCRIPTION
1	1	2200307	HUB PRE-SET, IRON, PARALLEL, COMPLETE SET
2	1	2300012	ABS TONE RING
3	1	2200226	WHEEL SEAL VOYAGER
4	2	2200060	WHEEL BEARING PARALLEL SPINDLE
5	1	2200360	BEARING SPACER PARALLEL PRESET

# HUB PRE-SET, IRON, TAPERED, ABS

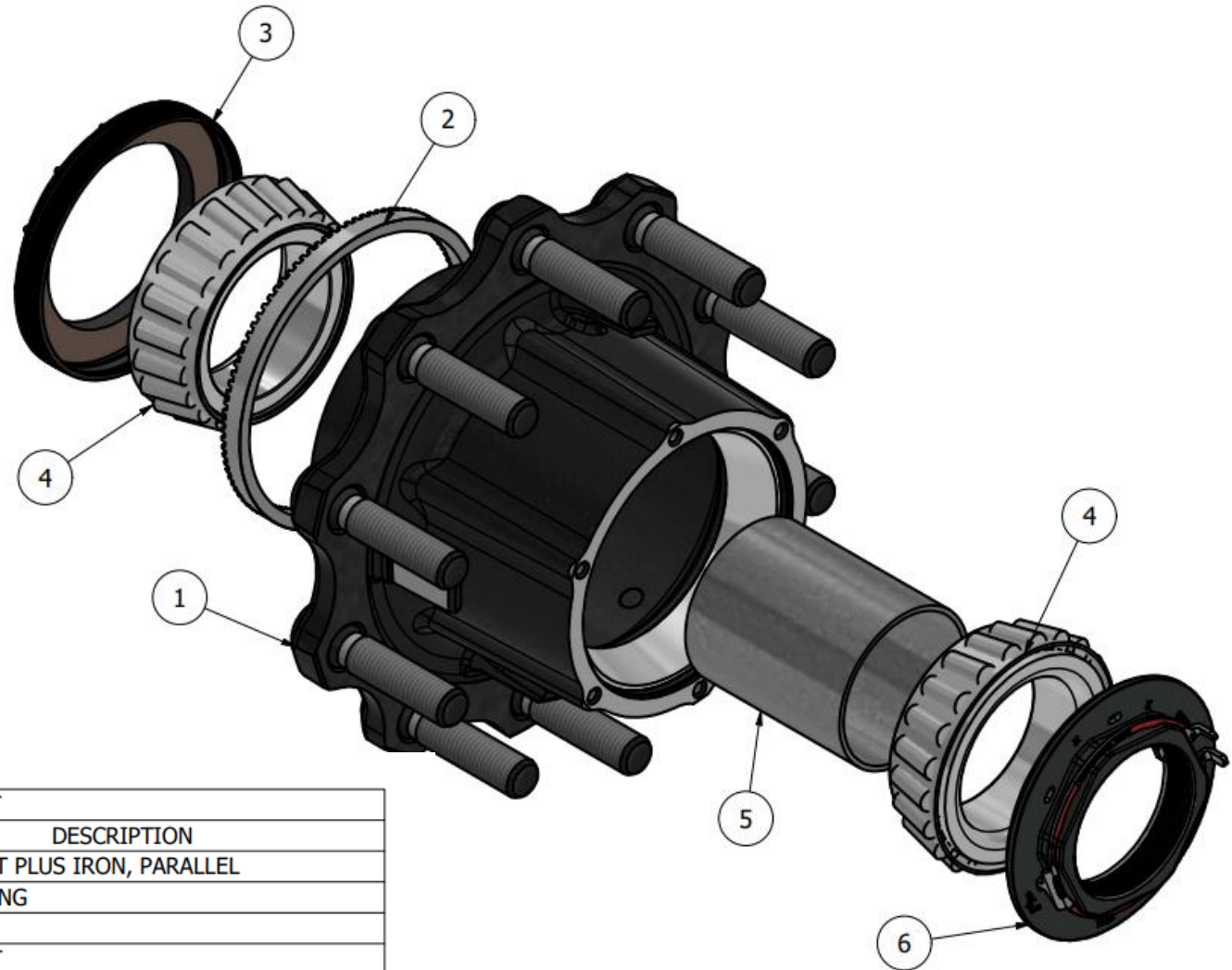
2200317



PARTS LIST			
ITEM	QTY	PART NUMBER	DESCRIPTION
1	1	2200317	HUB, PRE-SET, IRON, TAPERED, COMPLETE SET
2	1	2300112	ABS TONE RING
3	1	2200117	WHELL BEARING OUTER
4	1	2200118	WHEEL BEARING INNER
5	1	2200216	WHEEL SEAL DISCOVER
6	1	2200367	BEARING SPACER TAPERED PRESET

# HUB PRE-SET PLUS, IRON, PARALLEL, ABS

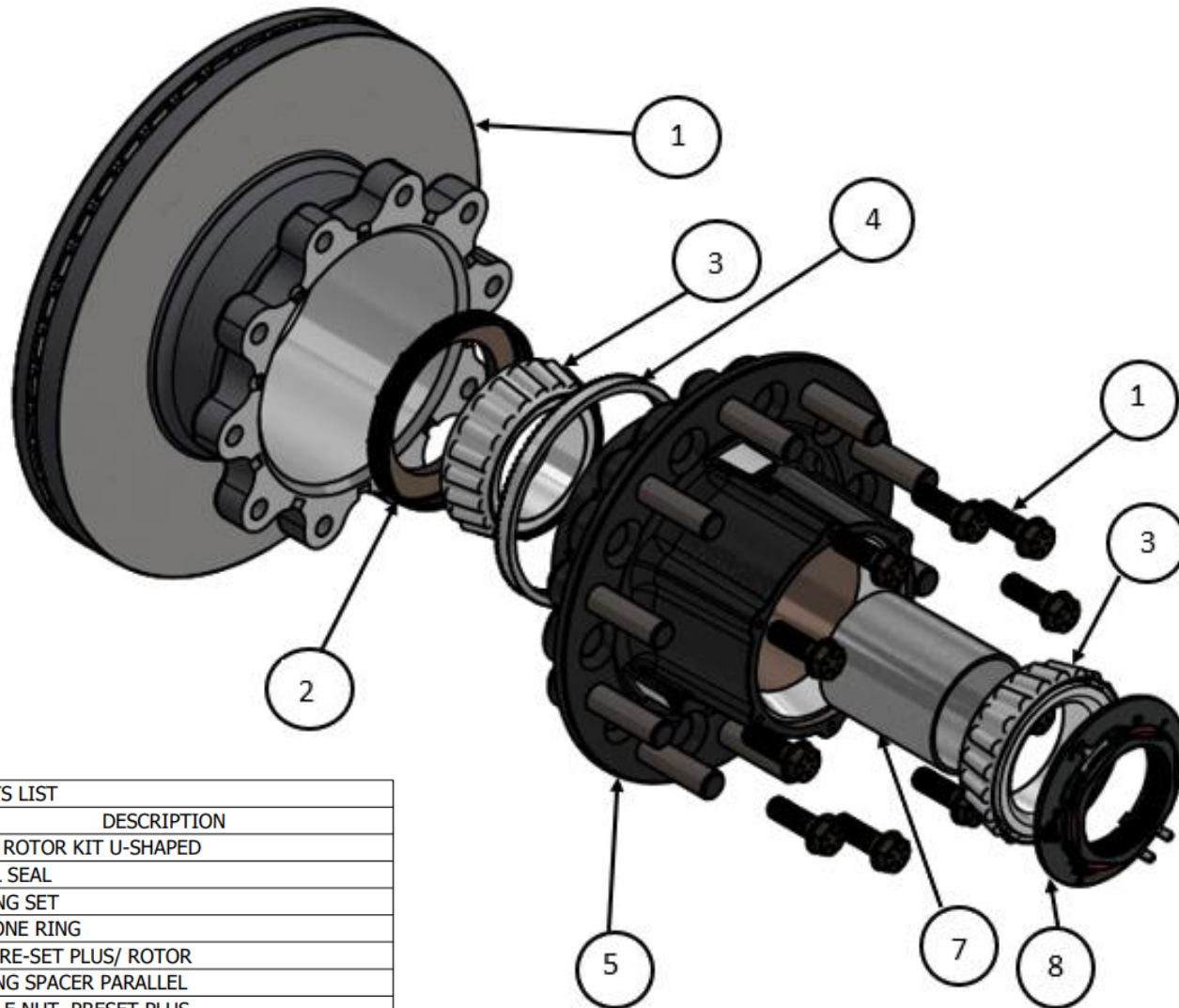
## 2200331



PARTS LIST			
ITEM	QTY	PART NUMBER	DESCRIPTION
1	1	2200331	HUB, PRE-SET PLUS IRON, PARALLEL
2	1	2200268	ABS TONE RING
3	1	2200061	WHEEL SEAL
4	1	2200060	BEARING SET
5	1	2200360	NEARING SPACER PARALLEL
6	1	2201999	SPINDLE NUT, PRESET PLUS

# HUB PRE-SET PLUS, IRON, PARALLEL, ABS

## 2201996



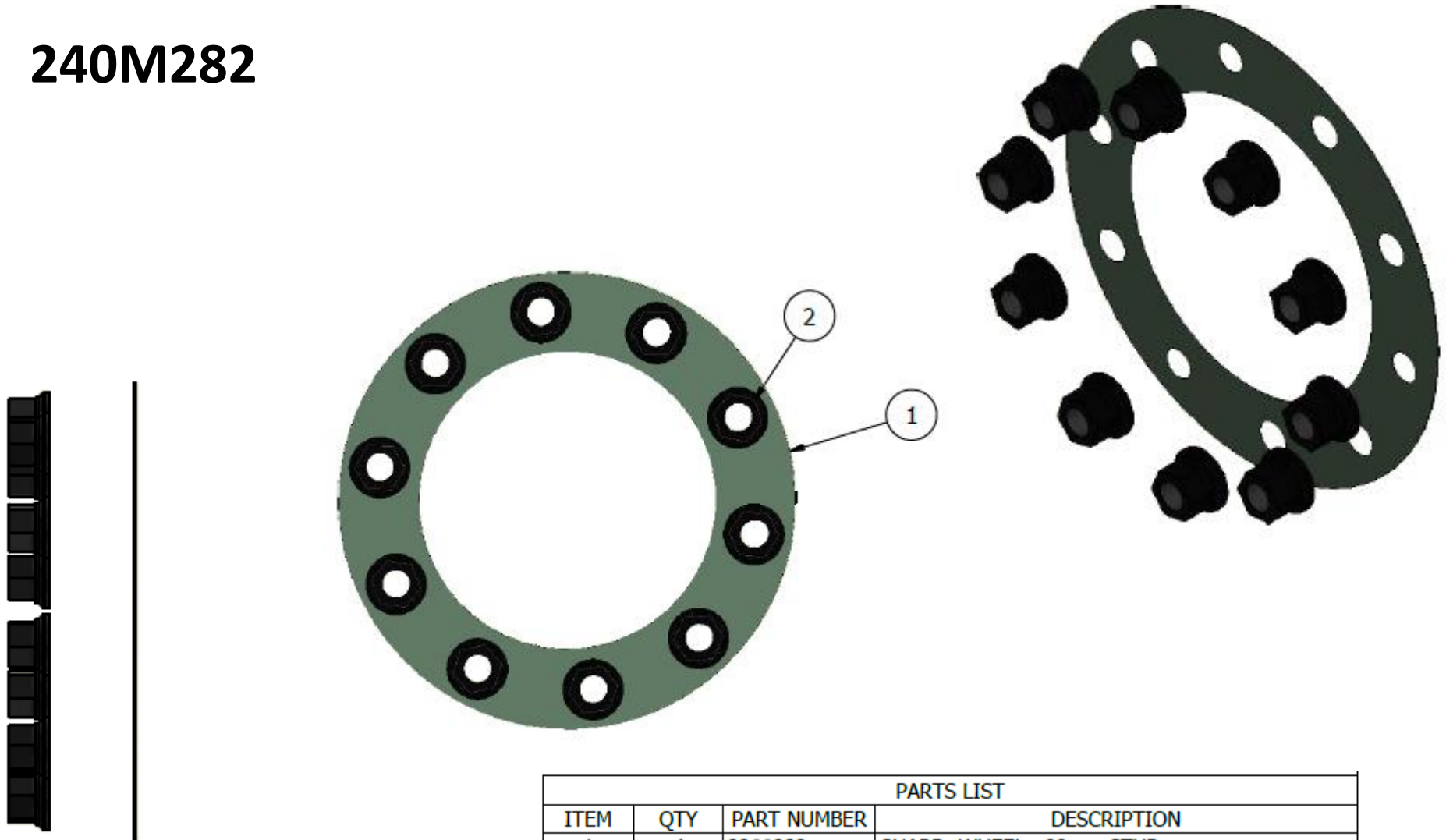
PARTS LIST			
ITEM	QTY	PART NUMBER	DESCRIPTION
1	1	2201997	BRAKE ROTOR KIT U-SHAPED
2	1	2200061	WHEEL SEAL
3	1	2200060	BEARING SET
4	1	2200268	ABS TONE RING
5	1	2201996	HUB, PRE-SET PLUS/ ROTOR
7	1	2200360	BEARING SPACER PARALLEL
8	10	2201999	SPINDLE NUT, PRESET PLUS
10	2+7	2201998	WHELL SEAL/SPACER COMBO



**TIRE AND WHEEL ASSEMBLIES  
FOR  
XPO DOLLIES**

# WHEEL NUT, GUARD ASSEMBLY

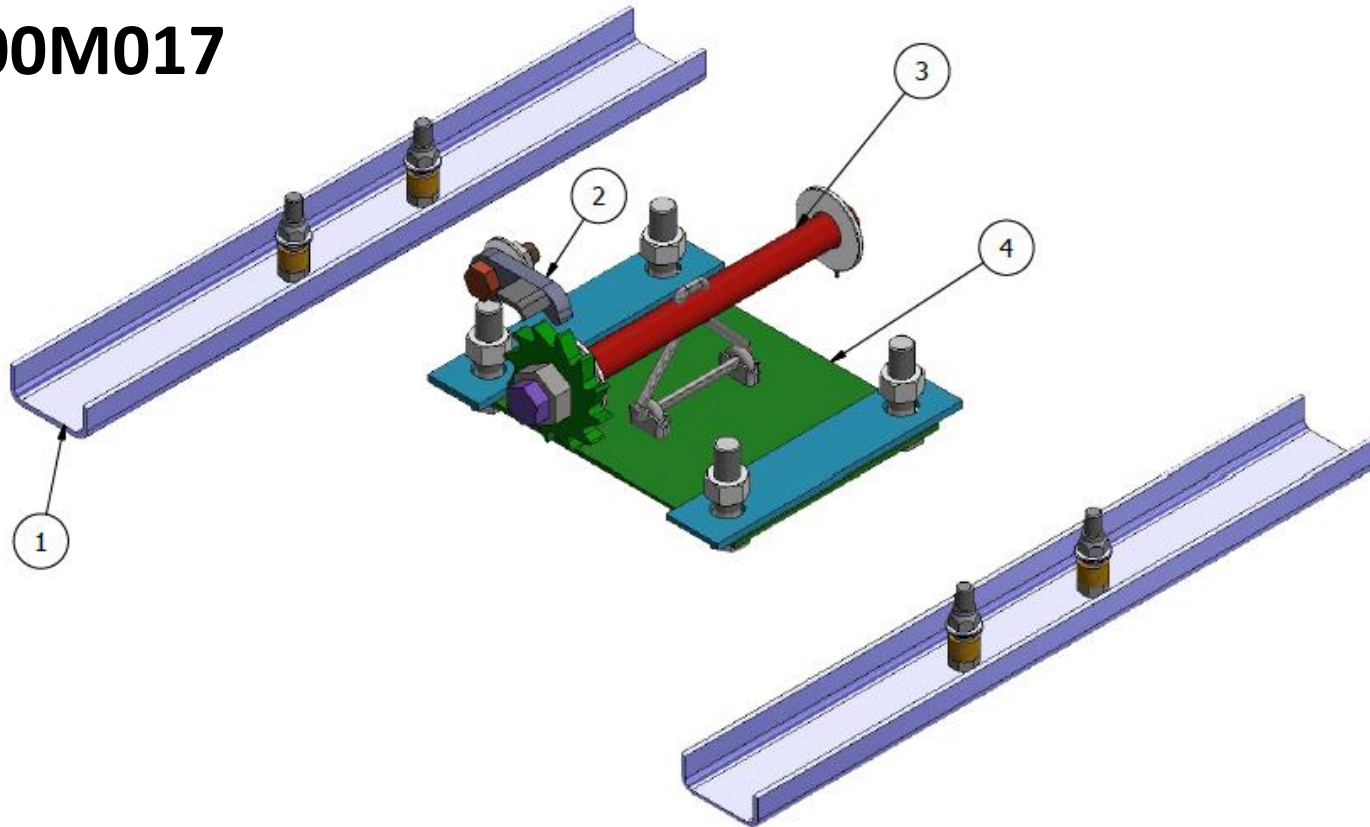
## 240M282



PARTS LIST			
ITEM	QTY	PART NUMBER	DESCRIPTION
1	4	2200232	GUARD, WHEEL - 22mm STUD
2	20	2405302	WHEEL NUT M22-1.5 2 pc PILOTED HUB

# SPARE TIRE W/ WINCH ASSEMBLY (06 ONLY)

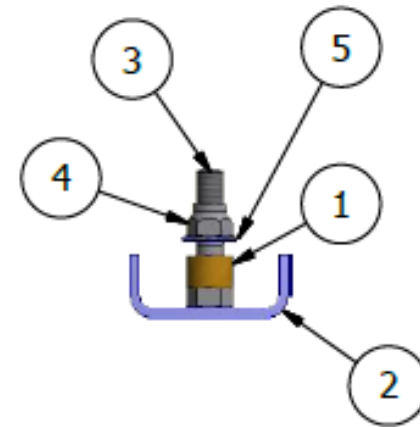
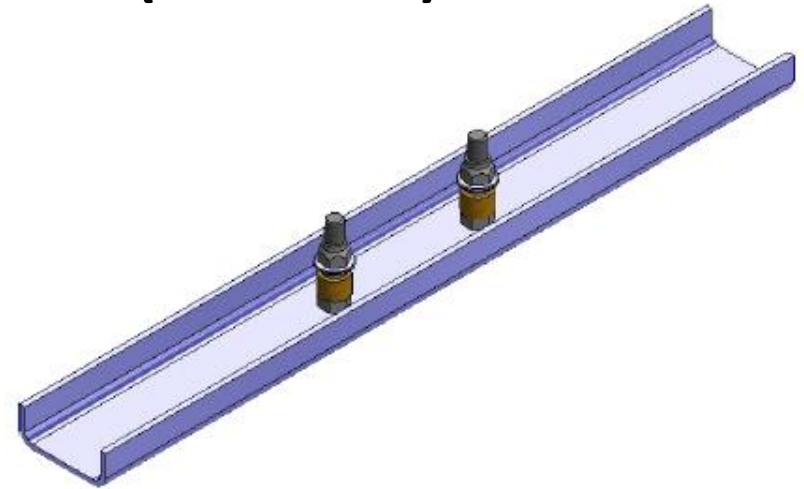
## 100M017



PARTS LIST			
ITEM	QTY	PART NUMBER	DESCRIPTION
1	2	100N000	SPARE TIRE CHANNEL ASSEMBLY
2	1	101M001	PAWL ASSEMBLY
3	1	101M002	WINCH ASSEMBLY
4	1	101M003	SPARE TIRE MOUNT ASSEMBLY

# SPARE TIRE W/ WINCH ASSEMBLY (06 ONLY)

## 100N000

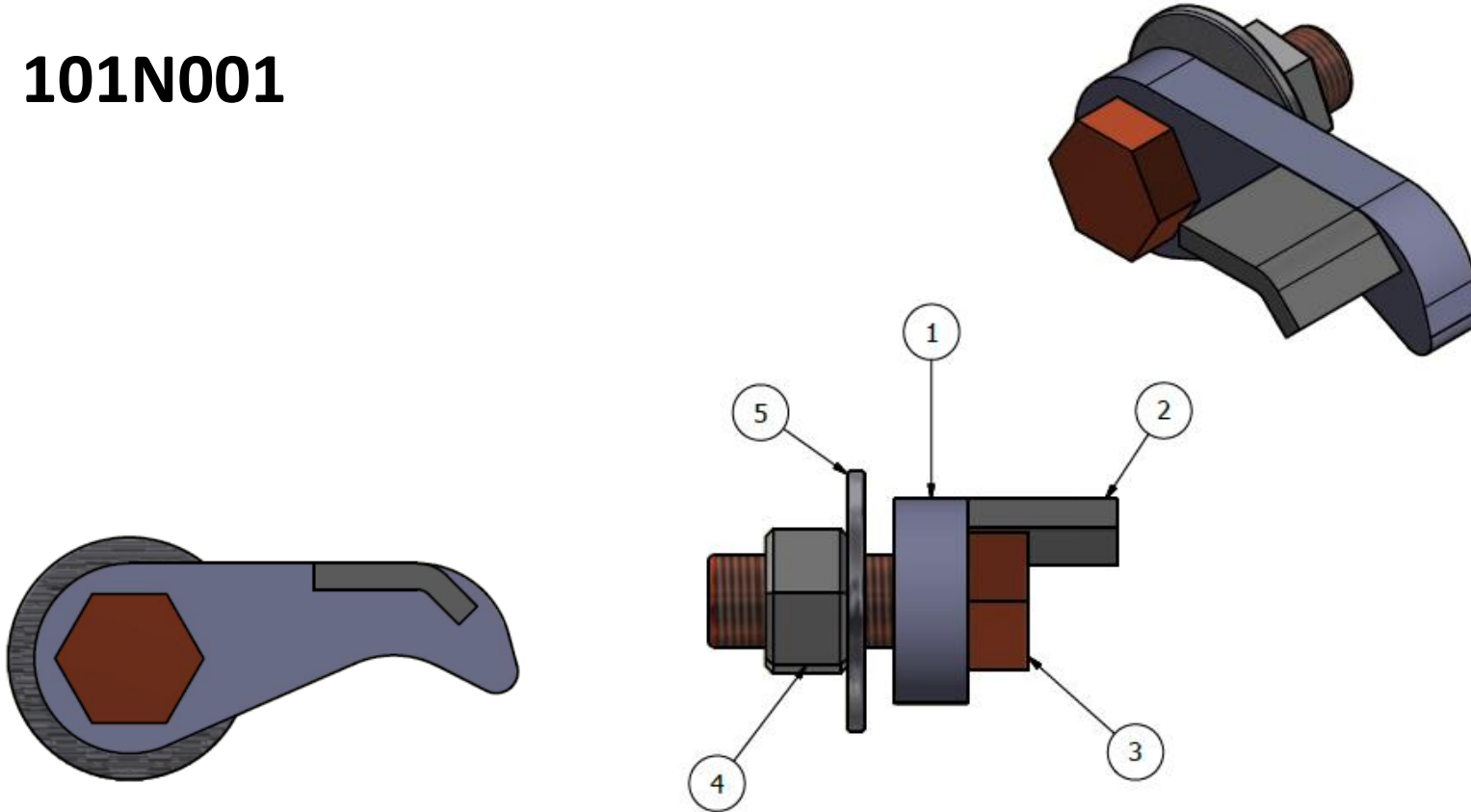


PARTS LIST			
ITEM	QTY	PART NUMBER	DESCRIPTION
1	2	1004100	SPACER, SPARE TIRE CHANNEL
2	1	1007105	CHANNEL SPARE WHEEL
3	2	6000162	BOLT, 1/2"-13 x 2 1/4" GRADE 5 PLATED
4	2	6100162	CENTER LOCK NUT 1/2"-13 ZINC
5	2	6200503	WASHER 1/2" FLAT USS PLATED



# PAWL ASSEMBLY (06 ONLY)

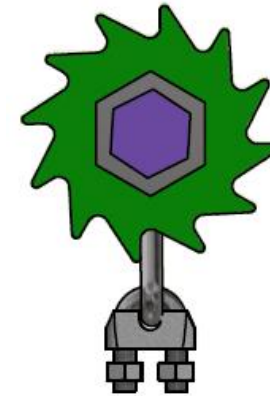
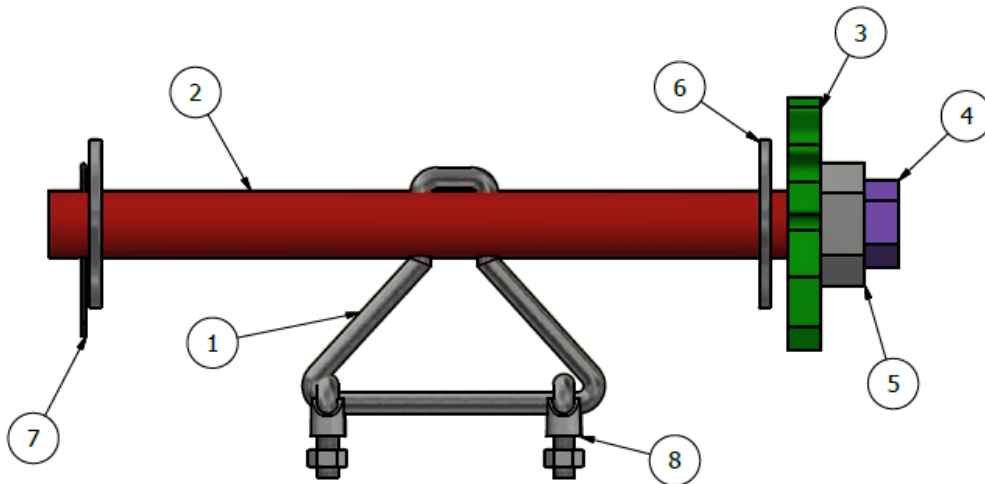
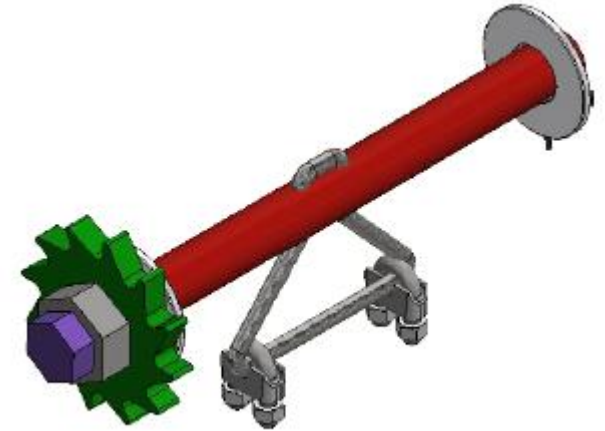
## 101N001



PARTS LIST			
ITEM	QTY	PART NUMBER	DESCRIPTION
	1	101N001	PAWL, WELDMENT ASSEMBLY
1	1	-----1007205	PAWL, DOLLY
2	1	-----1007209	PAWL, DOLLY TAB
3	1	6000627	BOLT, 5/8"-18 x 1 3/4" GRADE 5
4	1	6100626	NUT, 5/8"-18 PINCH LOCK GRADE 5
5	1	6200626	WASHER, 5/8" FLATT USS PLATED

# WINCH ASSEMBLY (06 ONLY)

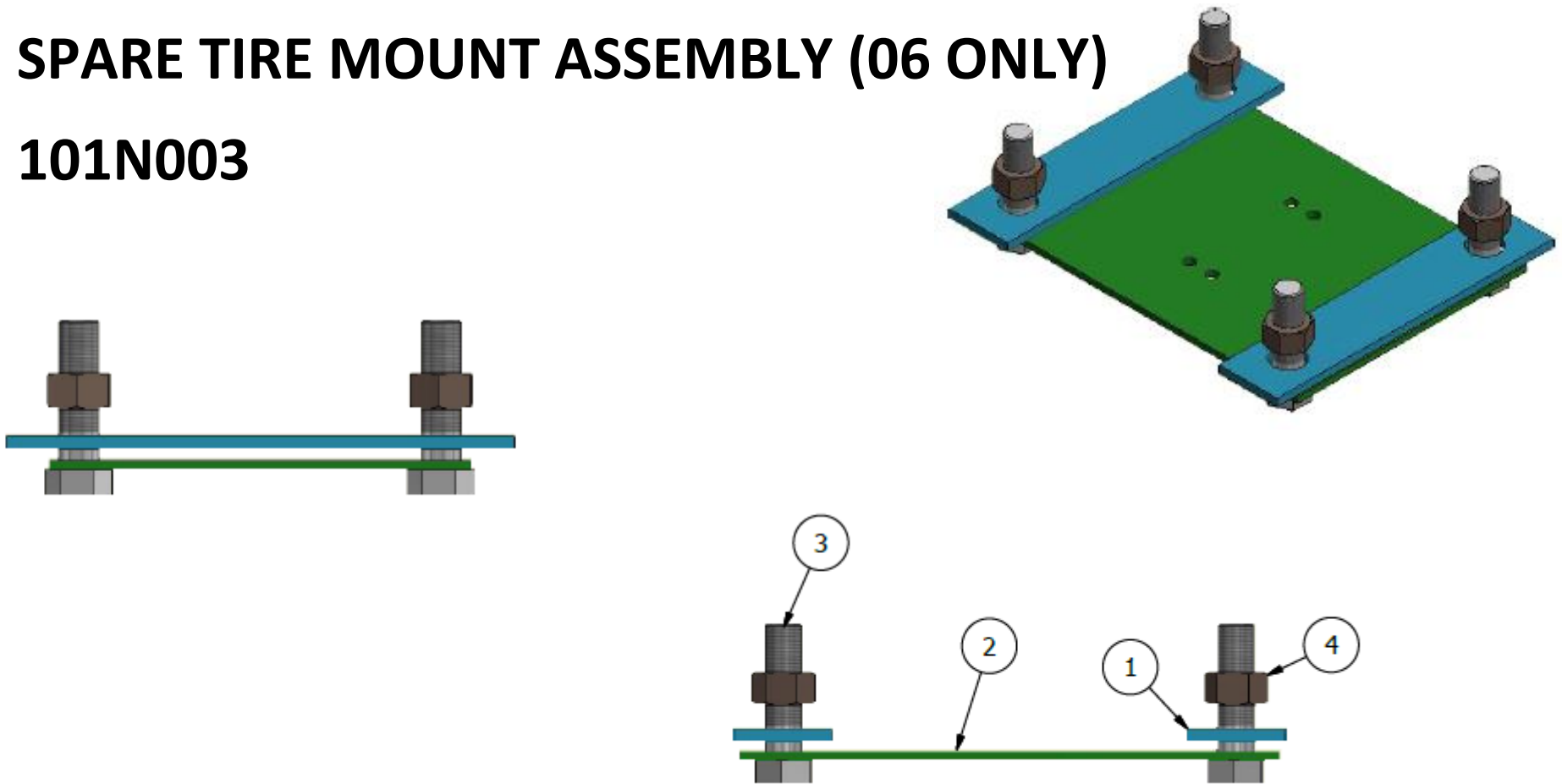
## 101N002



PARTS LIST			
ITEM	QTY	PART NUMBER	DESCRIPTION
1	1	1009110	WIRE ROPE, 3/16"
	1	101N002	WINCH, WELDMENT ASSEMBLY
2	1	-----1007208	BAR, DOLLY WINCH
3	1	-----1007210	RATCHET, DOLLY
4	1	-----1007211	WINCH, DOLLY HEX PC
5	1	-----2400310	WHEEL NUT, OUTER 3/4" R/H
6	2	6200960	SPACER, WINCH ROD
7	1	6400960	COTTER PIN, 5/32" x 2"
8	2	6400404	CLIP, WIRE ROPE 5/16"

# SPARE TIRE MOUNT ASSEMBLY (06 ONLY)

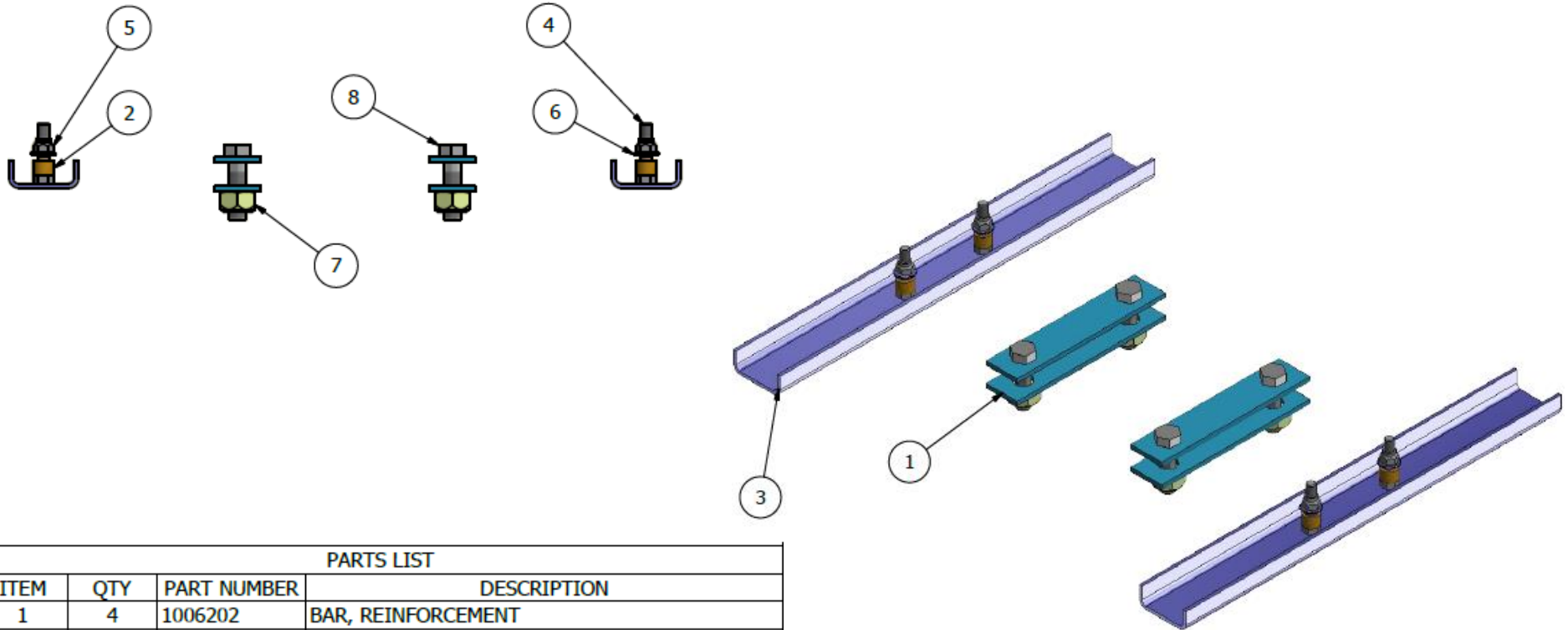
## 101N003



PARTS LIST			
ITEM	QTY	PART NUMBER	DESCRIPTION
1	2	1006202	BAR, REINFORCEMENT
	1	101N003	SPARE TIRE, PLATE ASSEMBLY
2	1	-----1006109	PLATE, SPARE WHEEL
3	4	-----6000752	BOLT, 3/4" x 2 3/4"
4	4	2400310	WHEEL NUT, OUTER 3/4" R/H

# SPARE MOUNT FIXED ASSEMBLY (07-08)

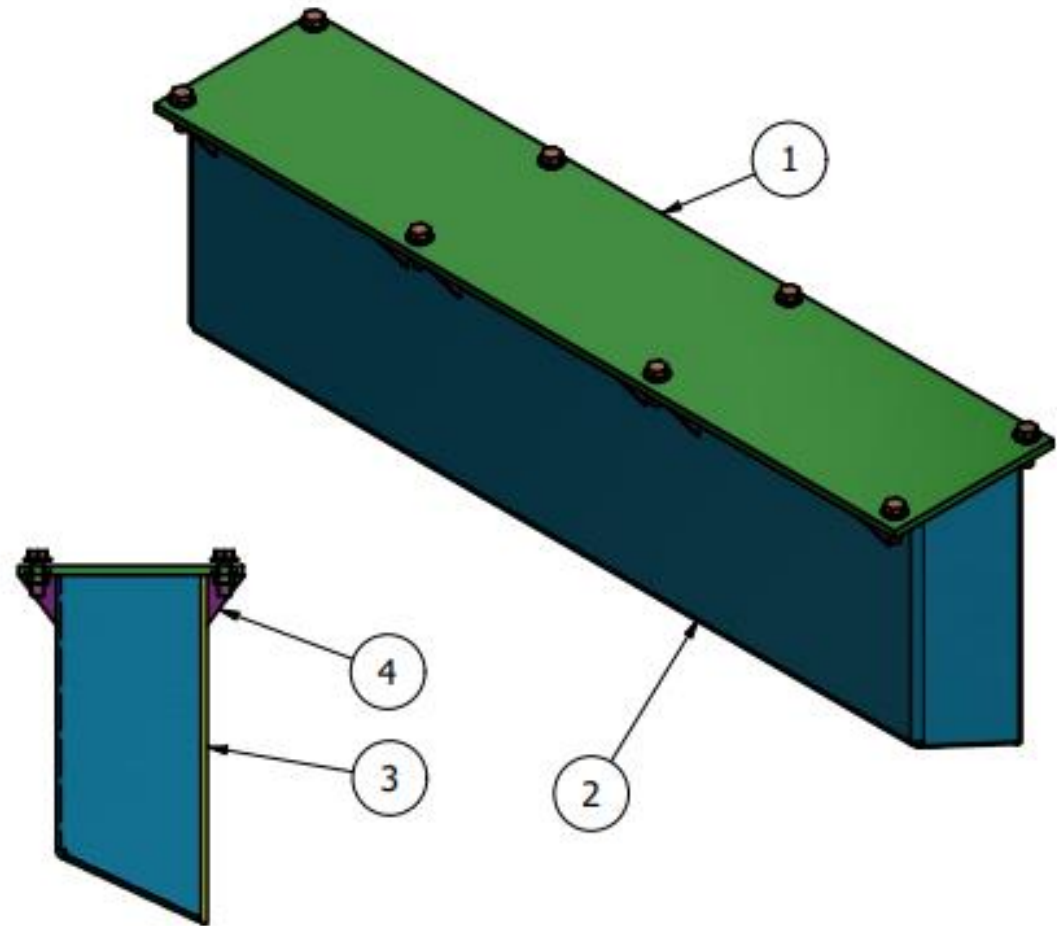
## 100M104



PARTS LIST			
ITEM	QTY	PART NUMBER	DESCRIPTION
1	4	1006202	BAR, REINFORCEMENT
2	2	1004100	SPACER, SPARE TIRE CHANNEL
3	2	1007105	CHANNEL SPARE WHEEL
4	4	6000162	BOLT 1/2" - 13 x 2 1/4" GRADE 5 PLATED
5	4	6100162	CENTER LOCK NUT 1/2" - 13
6	4	6200503	WASHER 1/2" FLAT USS PLATED
7	4	2400310	WHEEL NUT, OUTER 3/4" RH
8	4	6000751	BOLT, 3/4" - 16 x 2 3/4"

# COUNTERWEIGHT ASSEMBLY (09/10)

## 100M159



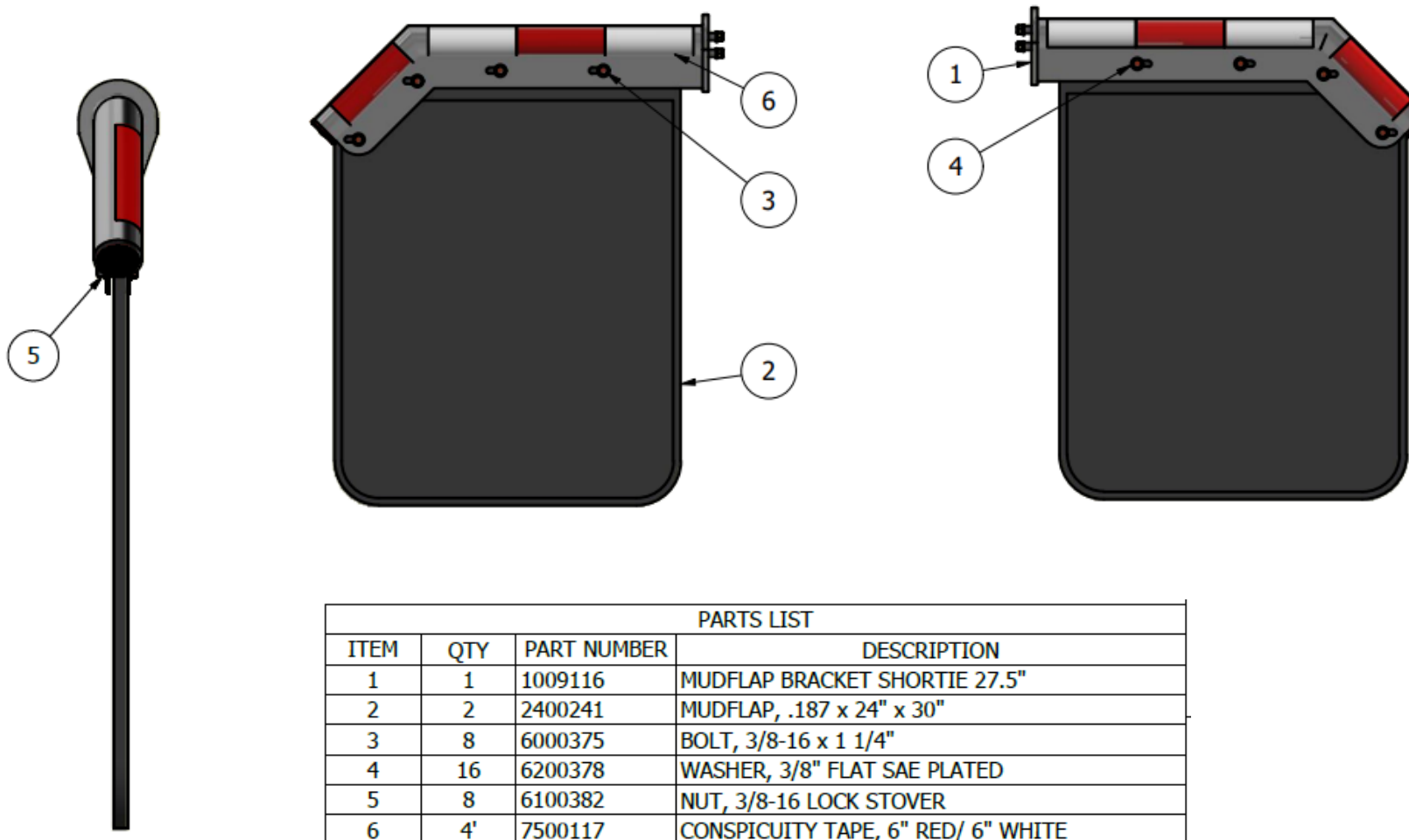
PARTS LIST			
ITEM	QTY	PART NUMBER	DESCRIPTION
1	1	1009161	COUNTERWEIGHT TOP PLATE
2	1	1009162	COUNTERWEIGHT BOX PLATE
3	1	1009163	COUNTERWEIGHT BACK PLATE
4	12	1009164	COUNTERWEIGHT GUSSET
5	8	6000501	BOLT, 1/2"-20 x 1 1/2" GRADE 8 ZINC
6	8	6100501	NUT, 1/2"-20 LOCK, GRADE 5 PLATED
7	16	6200503	WASHER, 1/2" FLAT USS PLATED



**MUD FLAP ASSEMBLIES  
FOR  
XPO DOLLIES**

# MUD FLAP ASSEMBLY-CONGGEAR

## 100N011



PARTS LIST			
ITEM	QTY	PART NUMBER	DESCRIPTION
1	1	1009116	MUDFLAP BRACKET SHORTIE 27.5"
2	2	2400241	MUDFLAP, .187 x 24" x 30"
3	8	6000375	BOLT, 3/8-16 x 1 1/4"
4	16	6200378	WASHER, 3/8" FLAT SAE PLATED
5	8	6100382	NUT, 3/8-16 LOCK STOVER
6	4'	7500117	CONSPICUITY TAPE, 6" RED/ 6" WHITE

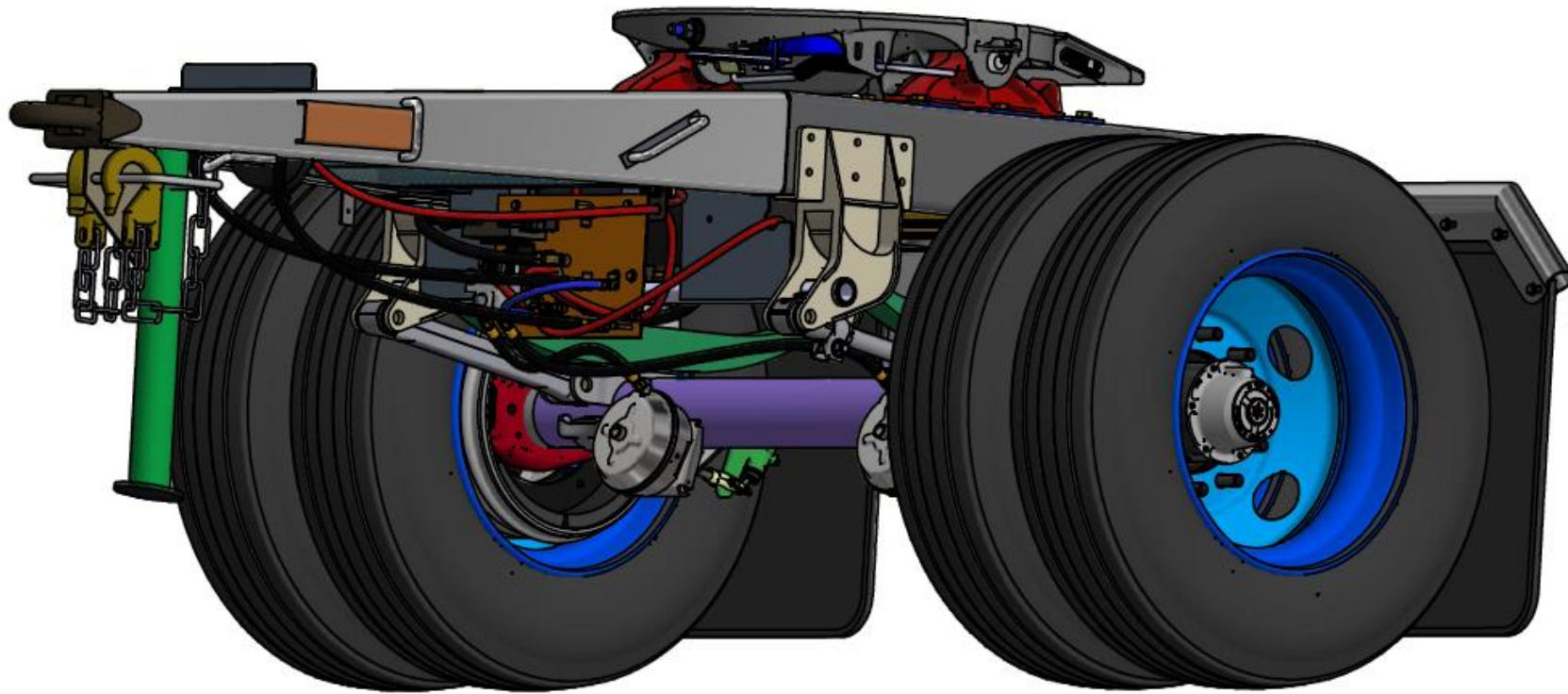


**AIR BRAKE ASSEMBLIES  
FOR  
XPO DOLLIES**



# AIR BRAKE SYSTEM

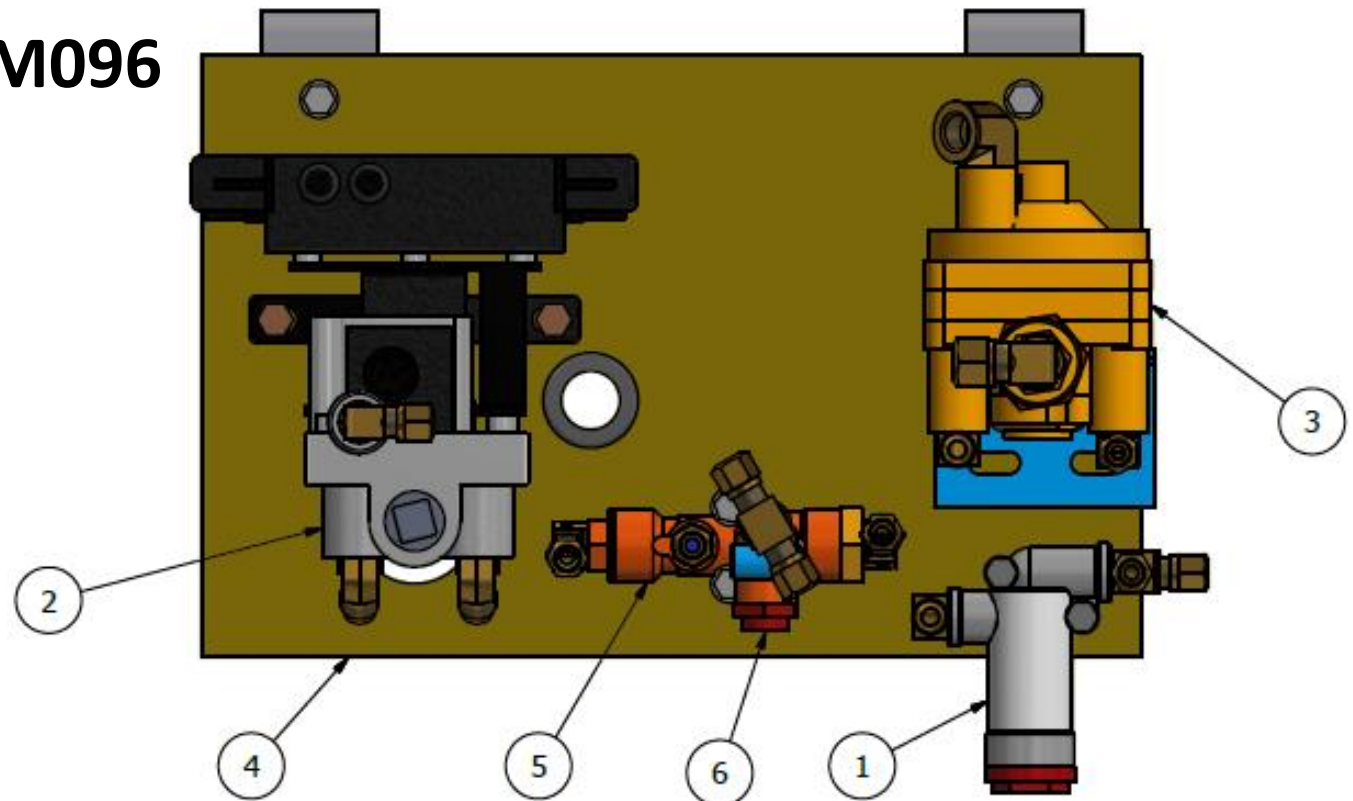
100M095, 100M096



**XPO**Logistics

# AIR BRAKE SYSTEM

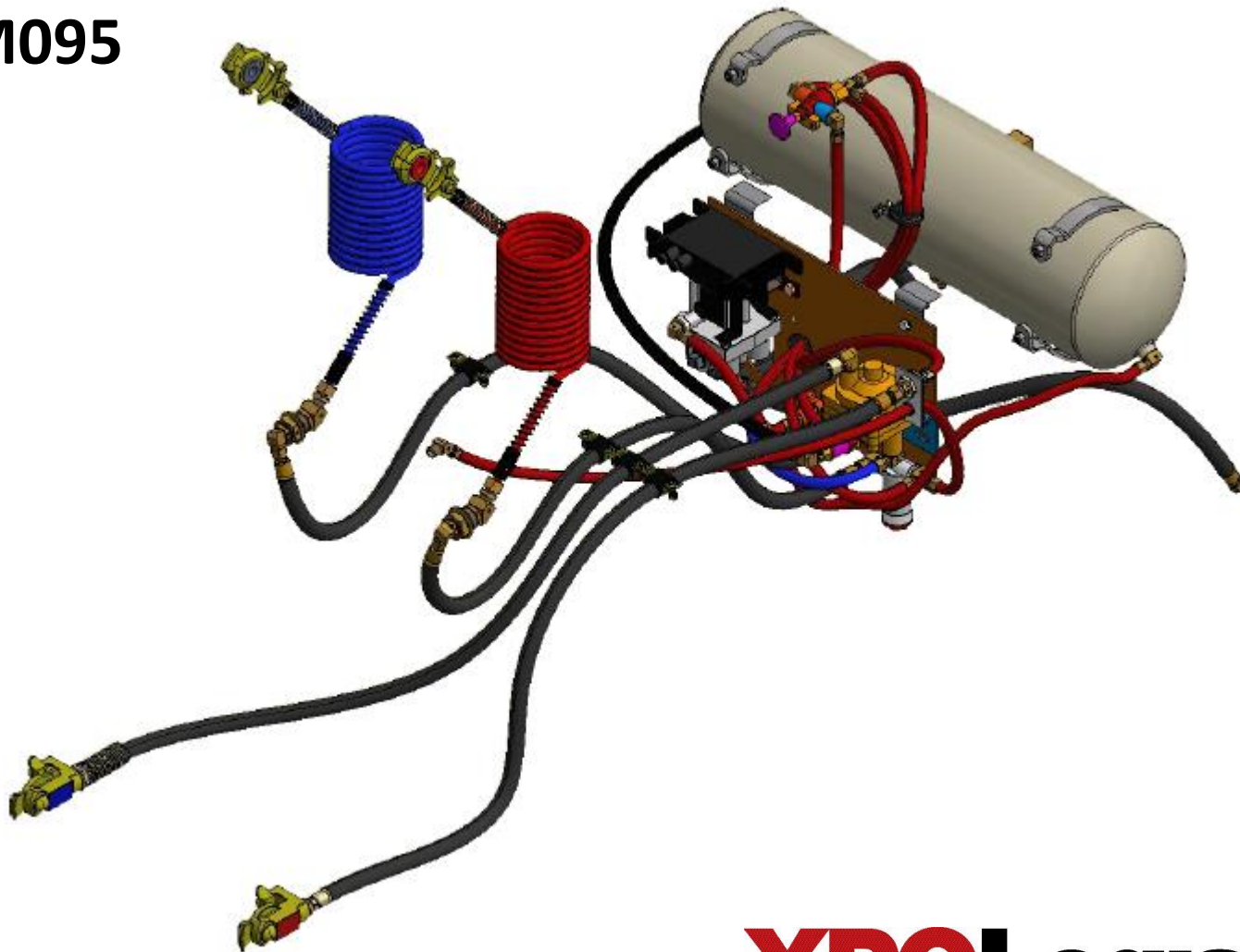
## 100M095, 100M096



PARTS LIST			
ITEM	QTY	PART NUMBER	DESCRIPTION
1	1	100N143	AIR FILTER ASSEMBLY
2	1	100N144	ABS VALVE ASSEMBLY 96 DOLLY
2	1	100N154	ABS VALVE ASSEMBLY 102 DOLLY
3	1	100N145	CONTROL LINE VALVE ASSY.
4	1	100N147	AIR KIT PLATE ASSEMBLY
5	1	100N135	EMERGENCY CONTROL VALVE ASSEMBLY
6	1	100N033	PRESSURE PROTECTION VALVE ASSEMBLY

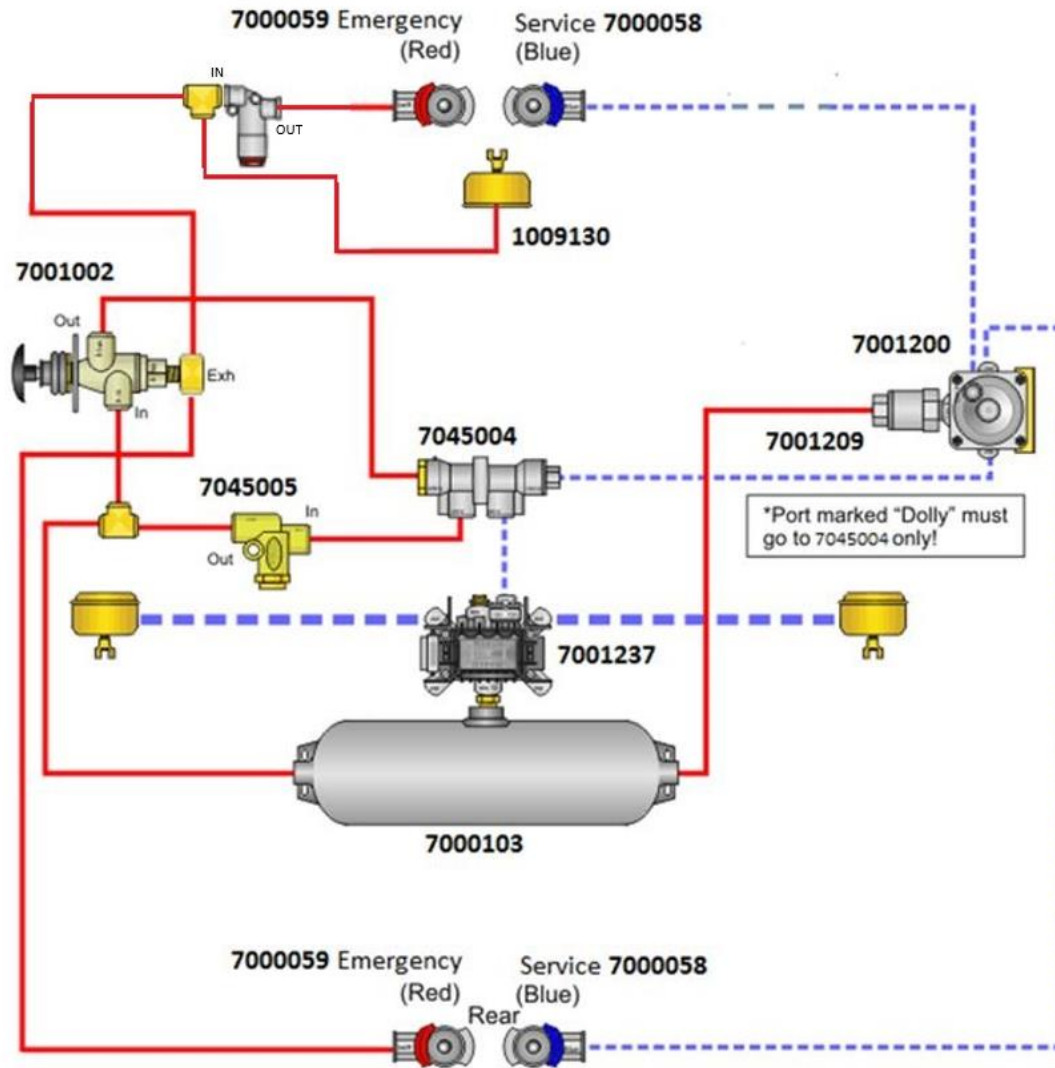
# AIR BRAKE SYSTEM

100M095



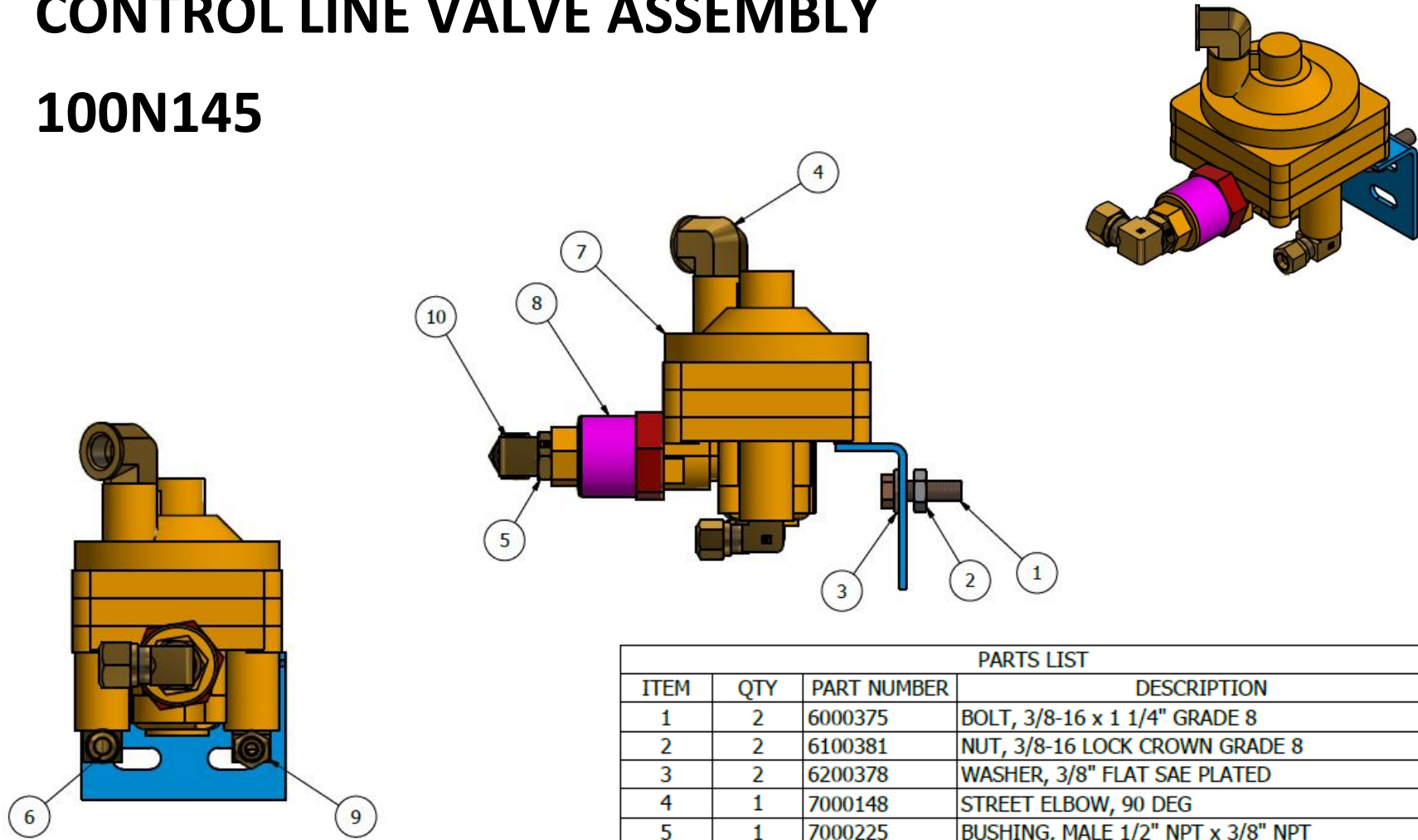
**XPO**Logistics

# Air Brake Schematic – XPODDN00A-06,07,08



# CONTROL LINE VALVE ASSEMBLY

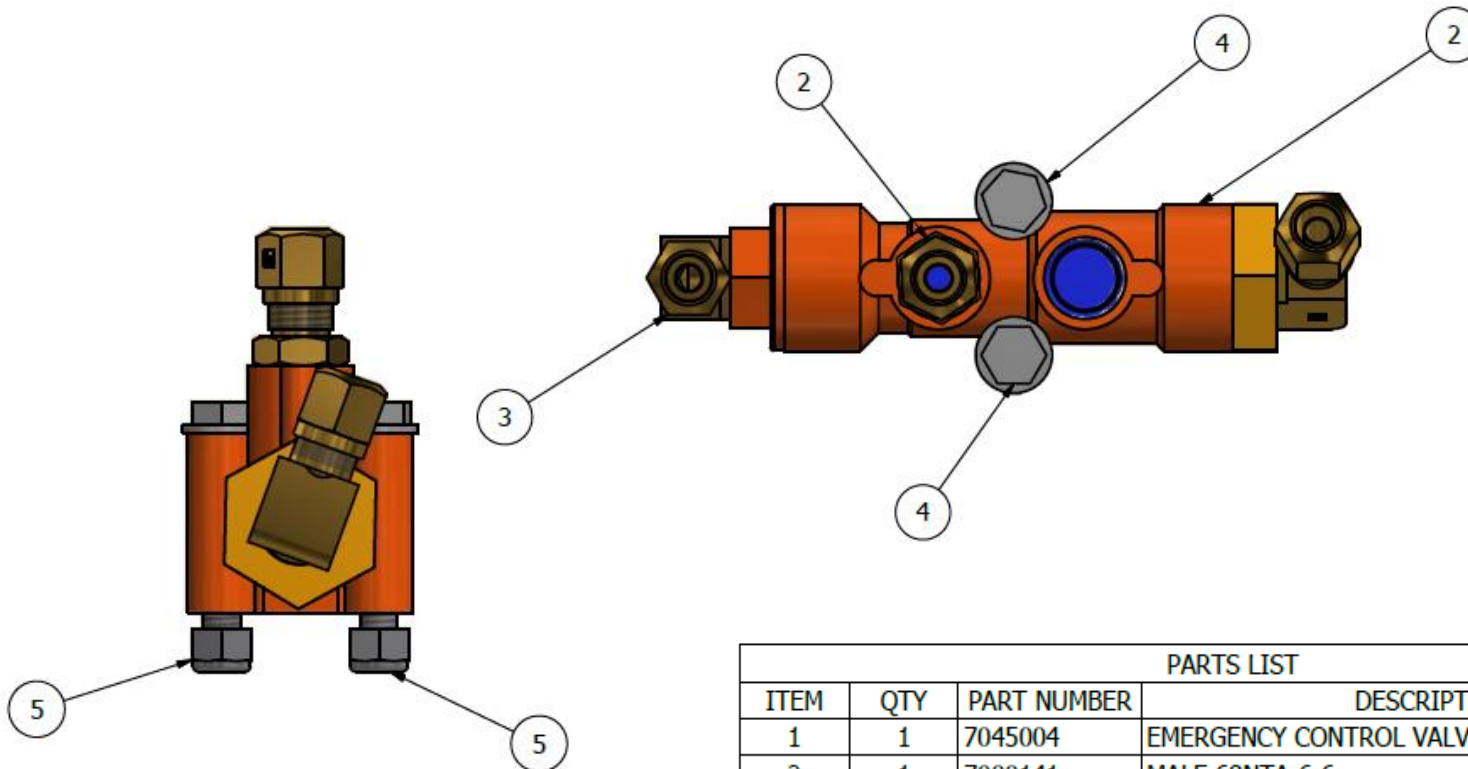
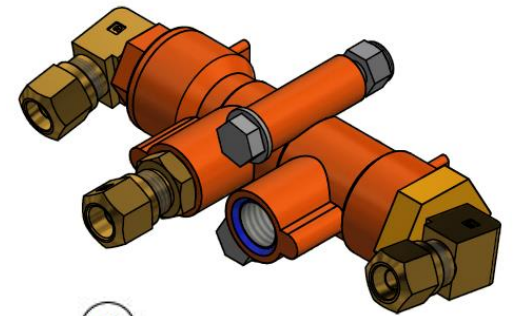
## 100N145



PARTS LIST			
ITEM	QTY	PART NUMBER	DESCRIPTION
1	2	6000375	BOLT, 3/8-16 x 1 1/4" GRADE 8
2	2	6100381	NUT, 3/8-16 LOCK CROWN GRADE 8
3	2	6200378	WASHER, 3/8" FLAT SAE PLATED
4	1	7000148	STREET ELBOW, 90 DEG
5	1	7000225	BUSHING, MALE 1/2" NPT x 3/8" NPT
6	1	7000813	FITTING, 90 DEG, 3/8" x 3/8"
7	1	7001200	CONTROL LINE VALVE
8	1	7001209	VALVE, 1-WAY CHECK
9	1	7045008	FITTING, ELBOW 90 DEG 269NTA-6-6
10	1	7045009	FITTING, ELBOW 90 DEG 269NTA-8-6

# EMERGENCY CONTROL VALVE ASSEMBLY

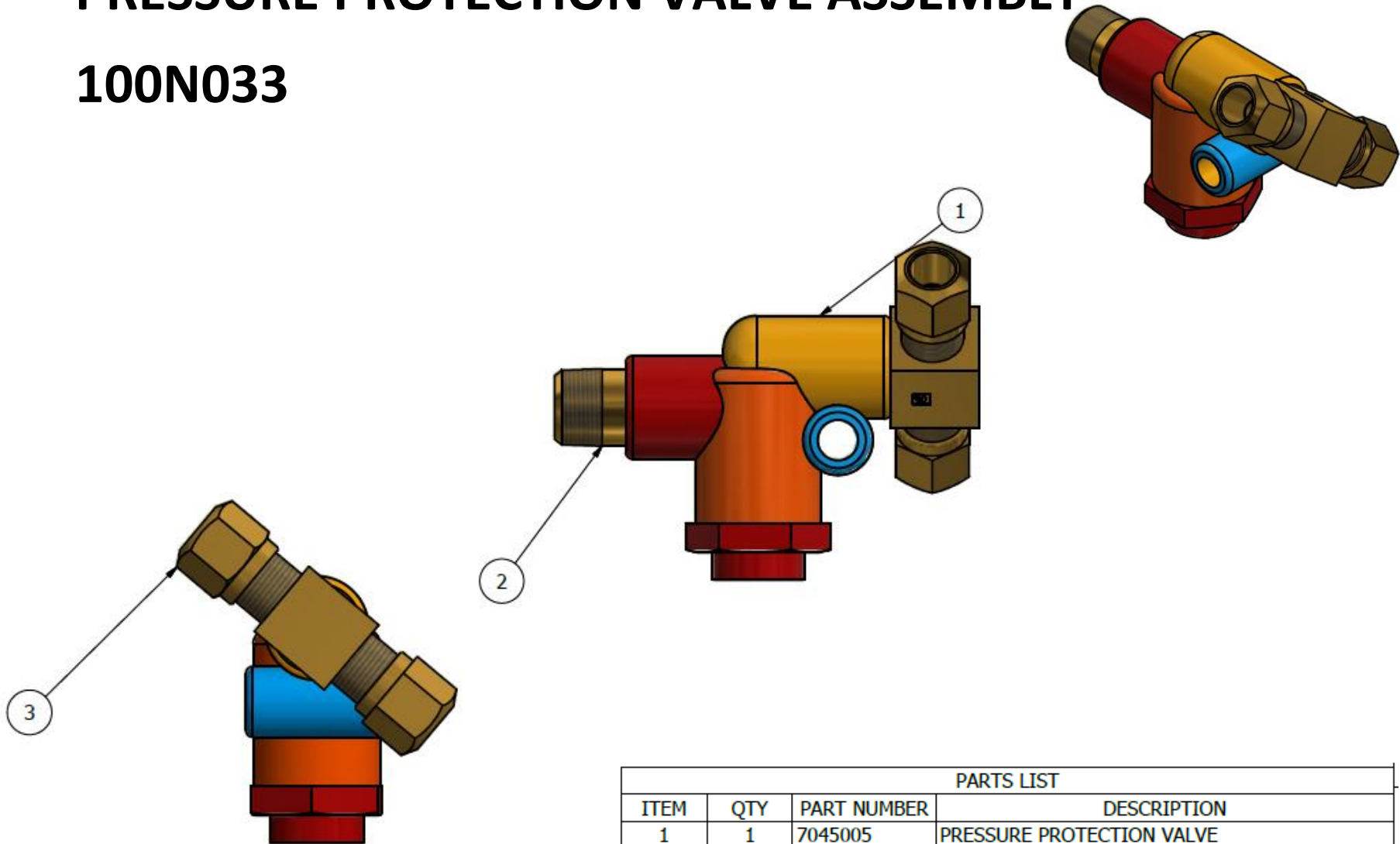
## 100N135



PARTS LIST			
ITEM	QTY	PART NUMBER	DESCRIPTION
1	1	7045004	EMERGENCY CONTROL VALVE
2	1	7000141	MALE 68NTA-6-6
3	2	7045008	90 DEGREE ELBOW 269NTA-6-6
4	2	6000345	BOLT, 5/16"- 18 x 2"
5	2	6100316	NUT 5/16-18 NYLON LOCK

# PRESSURE PROTECTION VALVE ASSEMBLY

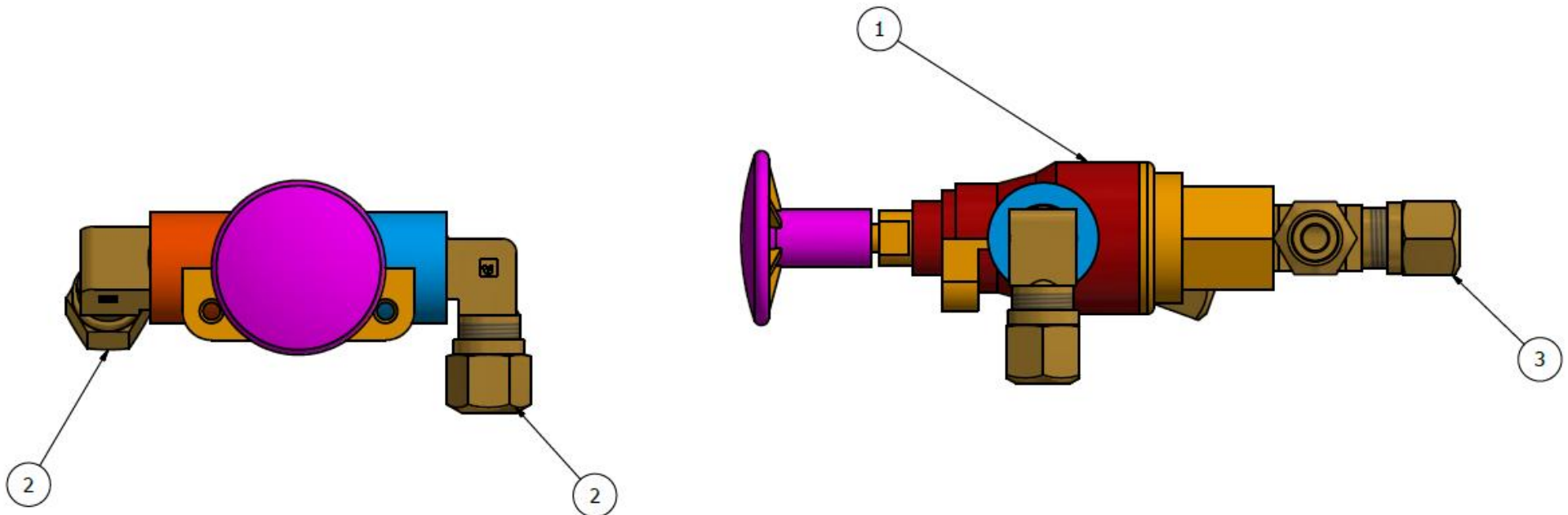
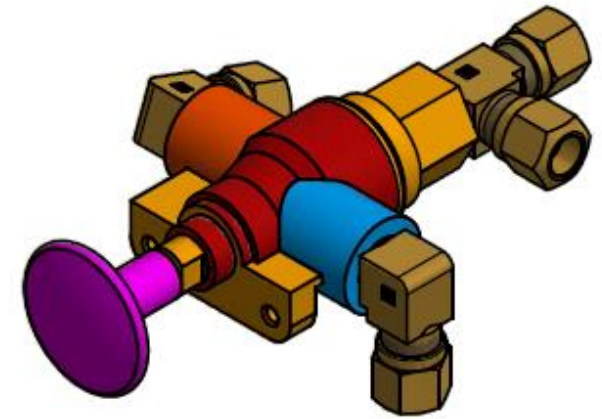
## 100N033



PARTS LIST			
ITEM	QTY	PART NUMBER	DESCRIPTION
1	1	7045005	PRESSURE PROTECTION VALVE
2	1	7000806	CLOSE NIPPLE 3/8
3	1	7045014	90 DEGREE ELBOW 269NTA-6-6

# PARK BRAKE RELEASE ASSEMBLY

## 100N033

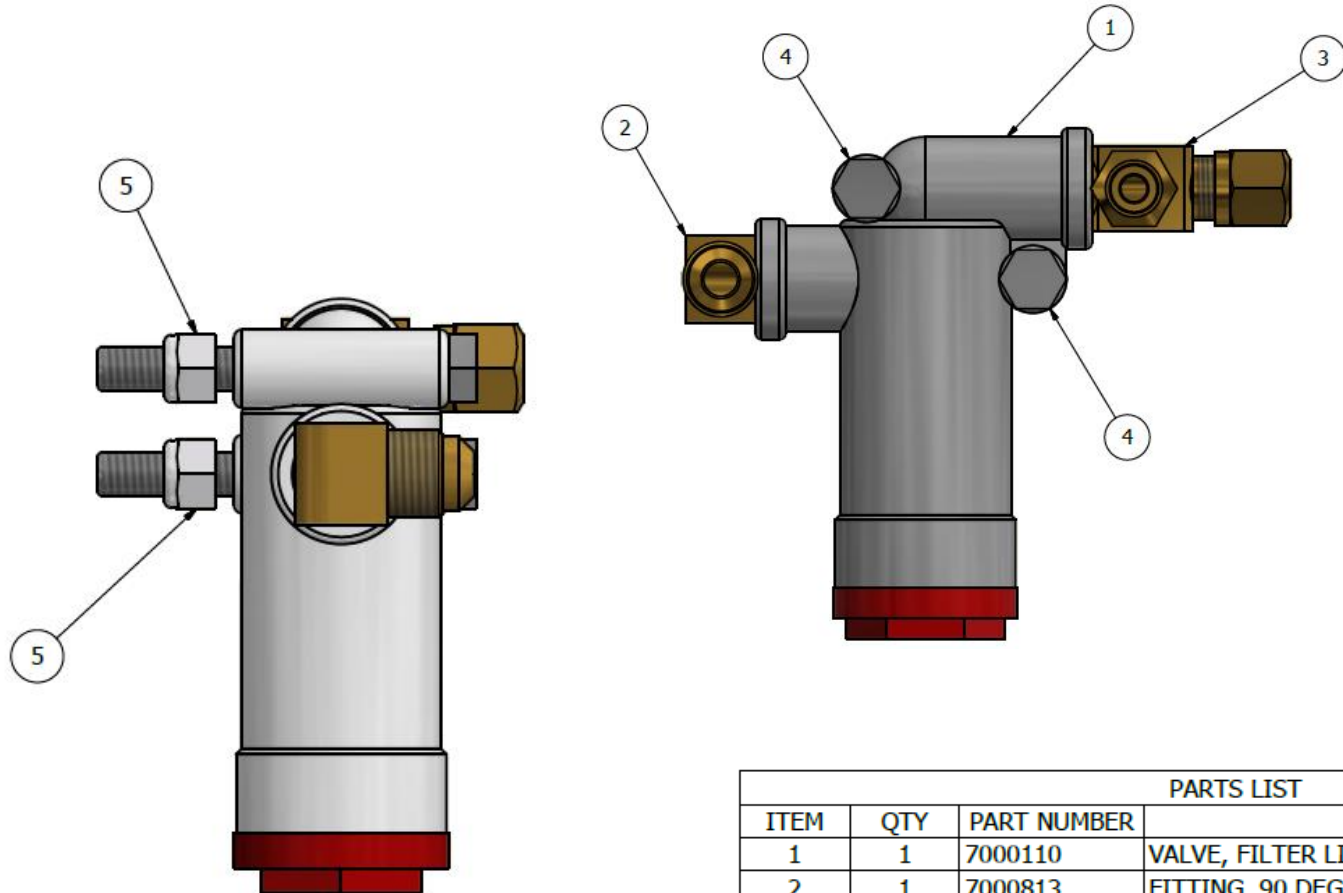
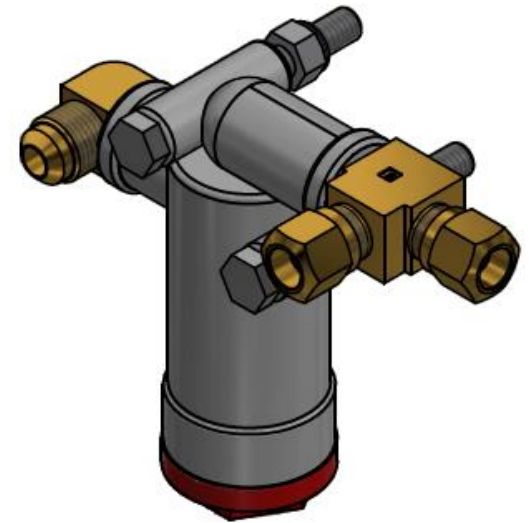


PARTS LIST			
ITEM	QTY	PART NUMBER	DESCRIPTION
1	1	7001002	VALVE, DOLLY PARK BRAKE RELEASE
2	2	7000145	90 DEGREE ELBOW 269NTA-6-4
3	1	7045017	FITTING, MALE RUN TEE VS271NTA-6-4



# AIR FILTER ASSEMBLY

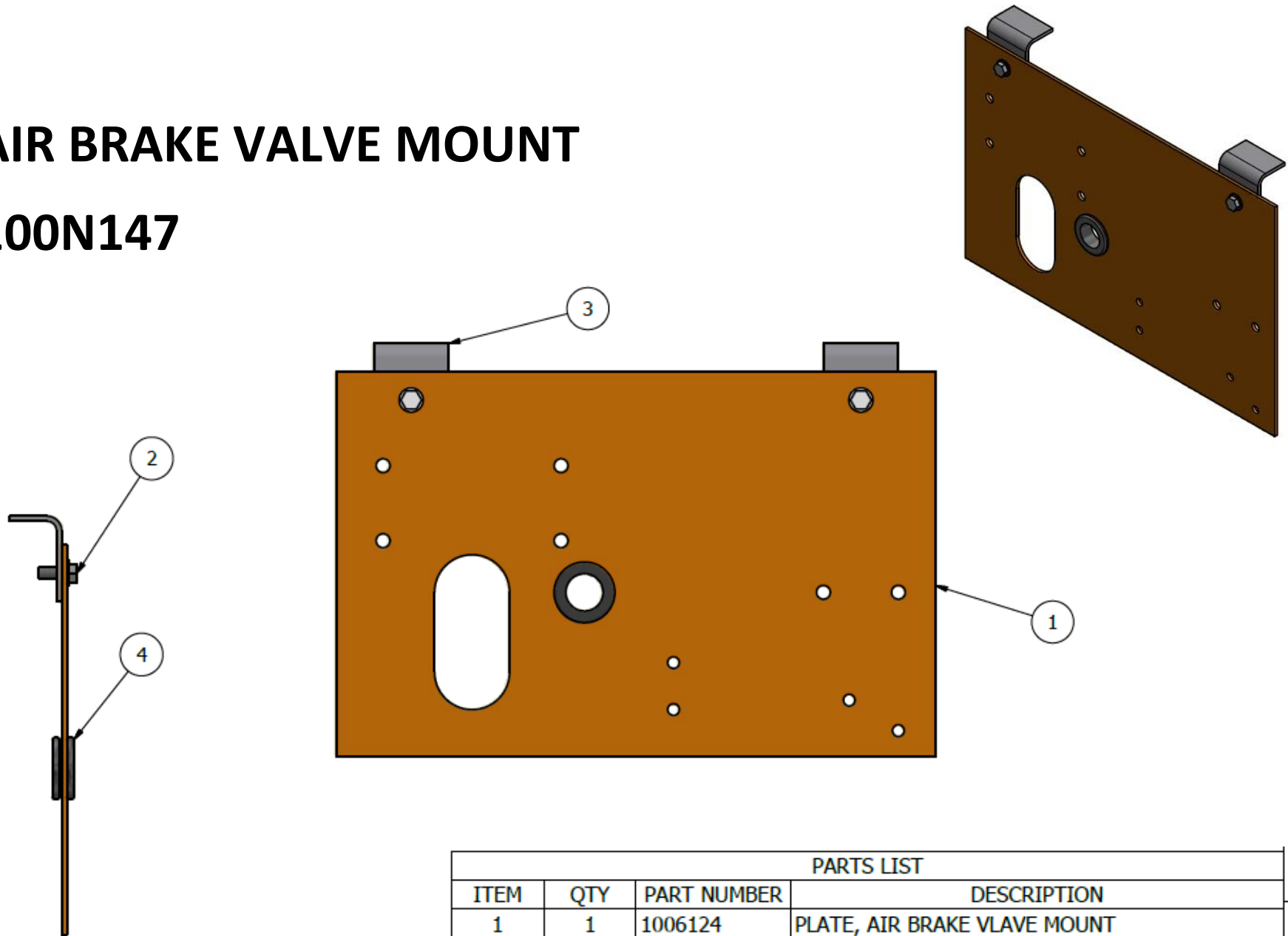
## 100N143



PARTS LIST			
ITEM	QTY	PART NUMBER	DESCRIPTION
1	1	7000110	VALVE, FILTER LINE
2	1	7000813	FITTING, 90 DEG, 3/8" x 3/8"
3	1	7045011	Male Run Tee
4	2	6000319	BOLT, 5/16-18 x 2-1/2"
5	2	6100316	NUT 5/16-18 LOCK NYLON PLATED

# AIR BRAKE VALVE MOUNT

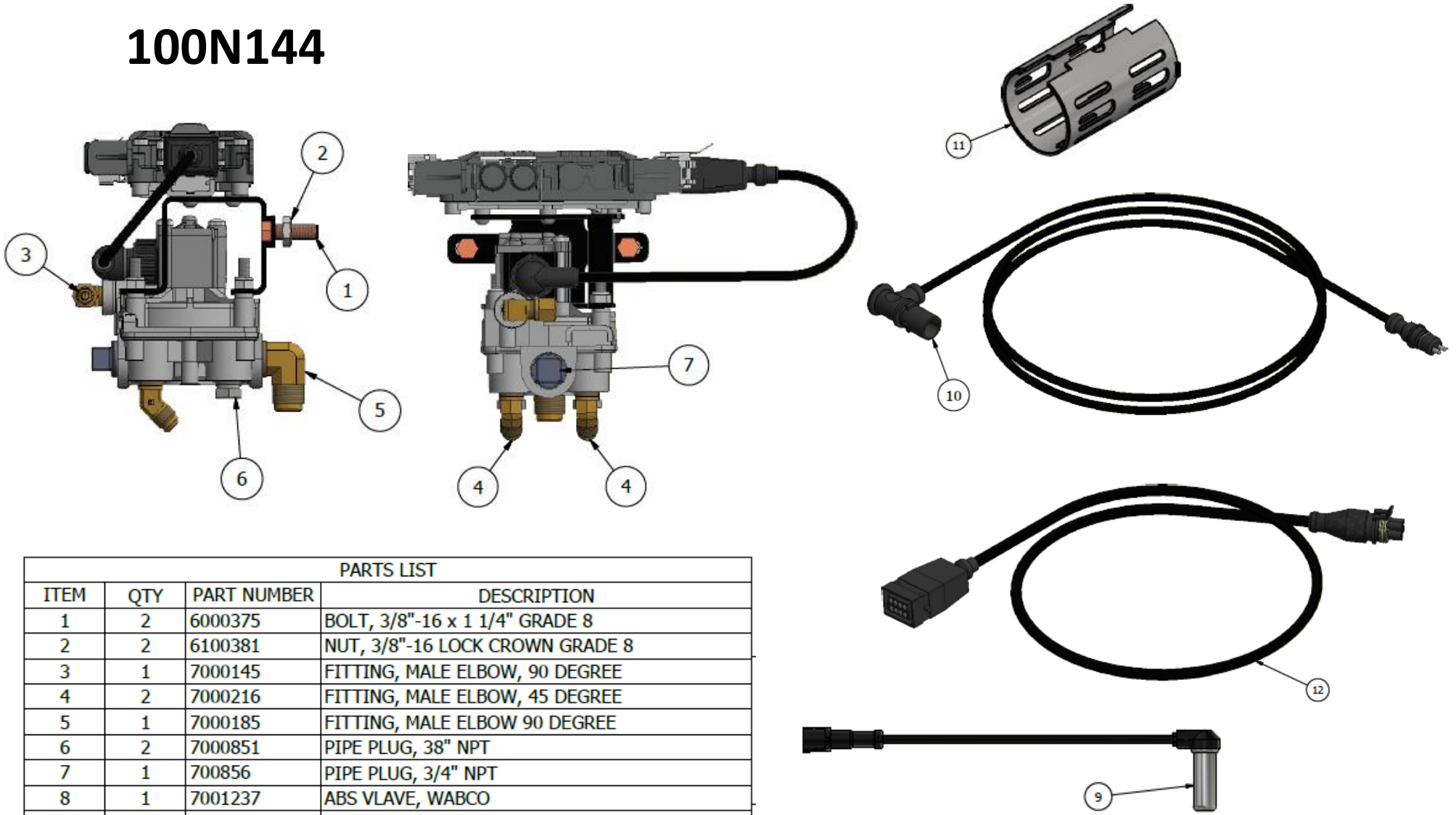
## 100N147



PARTS LIST			
ITEM	QTY	PART NUMBER	DESCRIPTION
1	1	1006124	PLATE, AIR BRAKE VLAVE MOUNT
2	2	6000312	BOLT 5/16"-18 x 3/4" TRILOBULAR SELF TAPPING
3	2	7000063	AIR BRAKE PLATE MOUNTING BRACKET
4	1	8000459	GROMMET 1 3/8" x 1" ID x 3/16" GROOVE

# ABS VALVE ASSEMBLY (XPODDN00A-06)

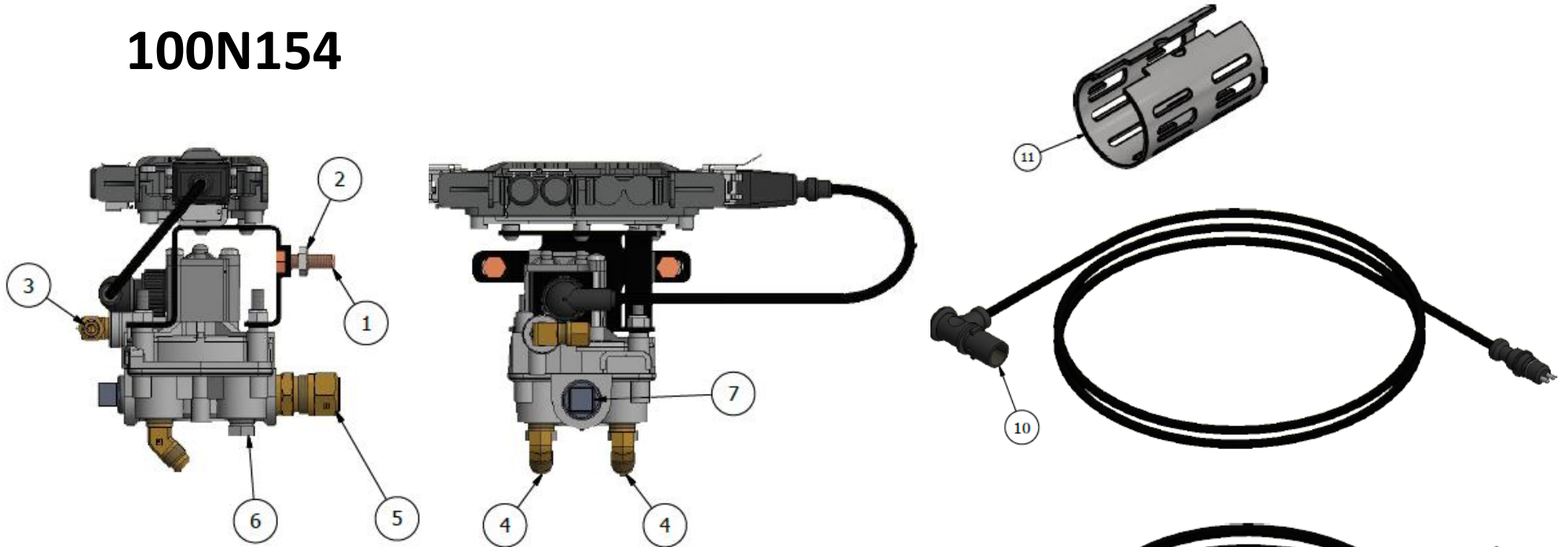
## 100N144



PARTS LIST			
ITEM	QTY	PART NUMBER	DESCRIPTION
1	2	6000375	BOLT, 3/8"-16 x 1 1/4" GRADE 8
2	2	6100381	NUT, 3/8"-16 LOCK CROWN GRADE 8
3	1	7000145	FITTING, MALE ELBOW, 90 DEGREE
4	2	7000216	FITTING, MALE ELBOW, 45 DEGREE
5	1	7000185	FITTING, MALE ELBOW 90 DEGREE
6	2	7000851	PIPE PLUG, 3/8" NPT
7	1	700856	PIPE PLUG, 3/4" NPT
8	1	7001237	ABS VALVE, WABCO
9	2	7001218	SPEED SENSOR
10	2	7001223	ABS, SENSOR WIRE-72"
11	2	7001224	ABS SENSOR CLIP
12	1	7001231	ABS POWER HARNESS

# ABS VALVE ASSEMBLY (XPODDN00A-07/08)

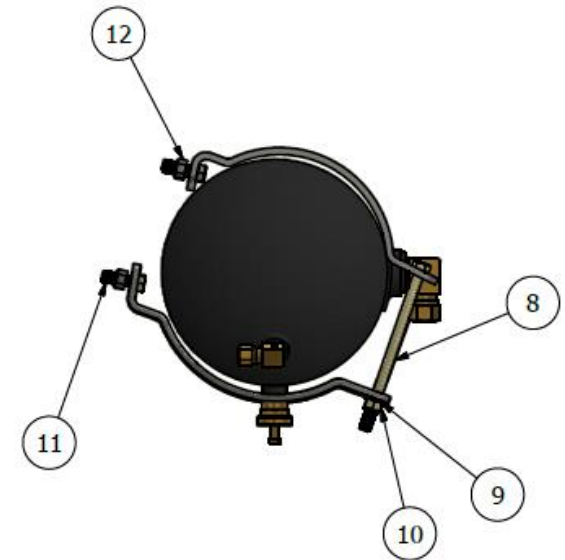
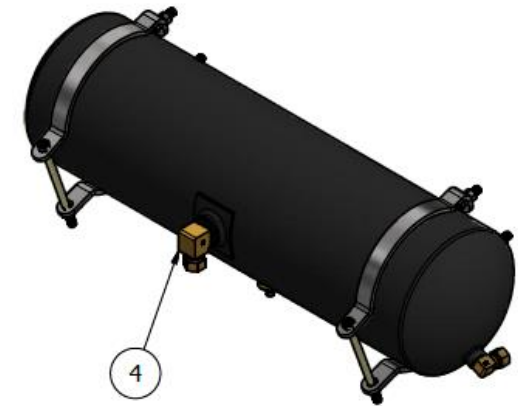
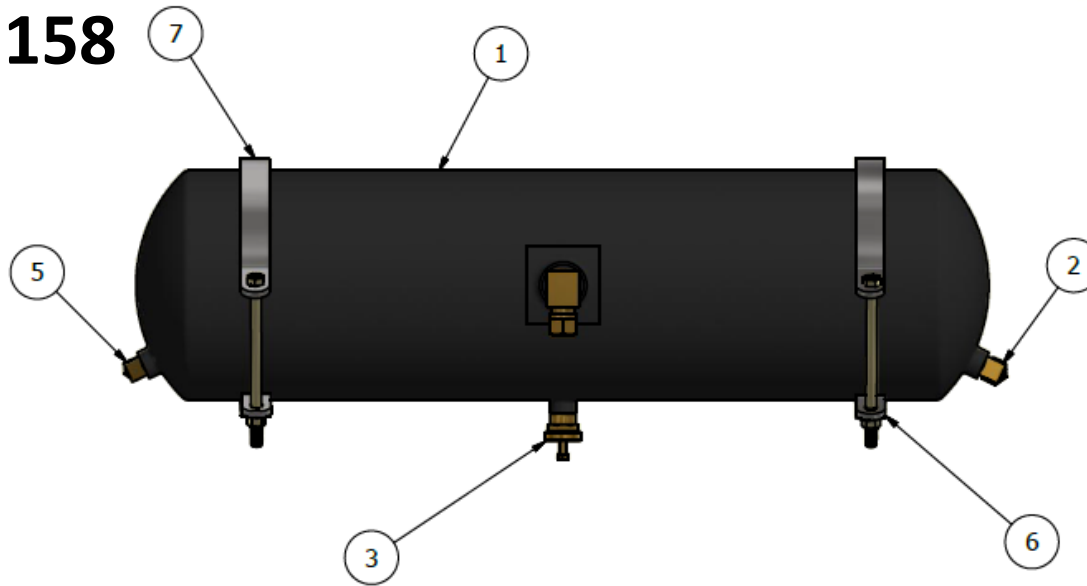
## 100N154



PARTS LIST			
ITEM	QTY	PART NUMBER	DESCRIPTION
1	2	6000375	BOLT, 3/8"-16 x 1 1/4" GRADE 8
2	2	6100381	NUT, 3/8"-16 LOCK CROWN GRADE 8
3	1	7000145	FITTING, MALE ELBOW, 90 DEGREE
4	2	7000216	FITTING, MALE ELBOW, 45 DEGREE
5	1	7000217	FITTING, MALE CONNECTOR
6	2	7000851	PIPE PLUG, 3/8" NPT
7	1	700856	PIPE PLUG, 3/4" NPT
8	1	7001237	ABS VALVE, WABCO
9	2	7001218	SPEED SENSOR
10	2	7001223	ABS, SENSOR WIRE-72"
11	2	7001224	ABS SENSOR CLIP
12	1	7001231	ABS POWER HARNESS

# AIR TANK ASSEMBLY

## 100N158

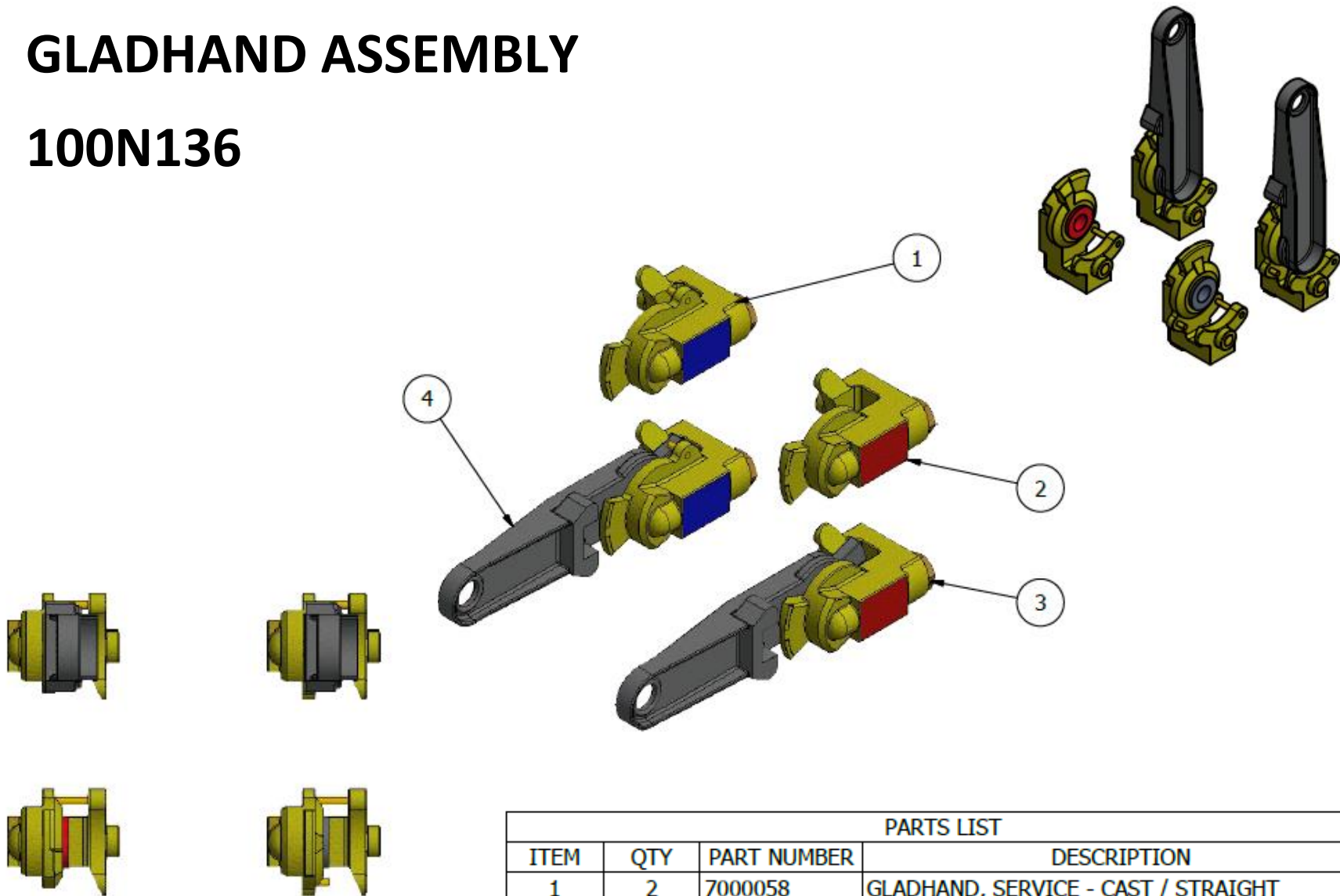


PARTS LIST

ITEM	QTY	PART NUMBER	DESCRIPTION
1	1	7000103	AIR TANK W/ INVERTED BRACKETS
2	1	7045009	FITTING, ELBOW 90 DEG 269NTA-8-6
3	1	700N016	AIR DRAIN VALVE ASSEMBLY
4	1	7000875	FITTING, ELBOW 90 DEG (96 DOLLY)
4	1	7000217	FITTING, MALE CONNECTOR 68NTA-10-12 (102 DOLLY)
5	1	7045008	FITTING, ELBOW 90 DEG
6	2	9001170	TOP TANK BRACKET
7	2	9001190	BOTTOM TANK BRACKET
8	1	6000361	BOLT, 3/8" - 16 x 6" GRADE 8
9	1	6200106	WASHER, 3/8" STAR LOCK
10	1	6100361	NUT, 3/8" - 16
11	1	6000375	BOLT, 3/8" - 16 x 1 1/4" GRADE 8
12	1	6100382	NUT, 3/8" - 16 LOCK STOVER

# GLADHAND ASSEMBLY

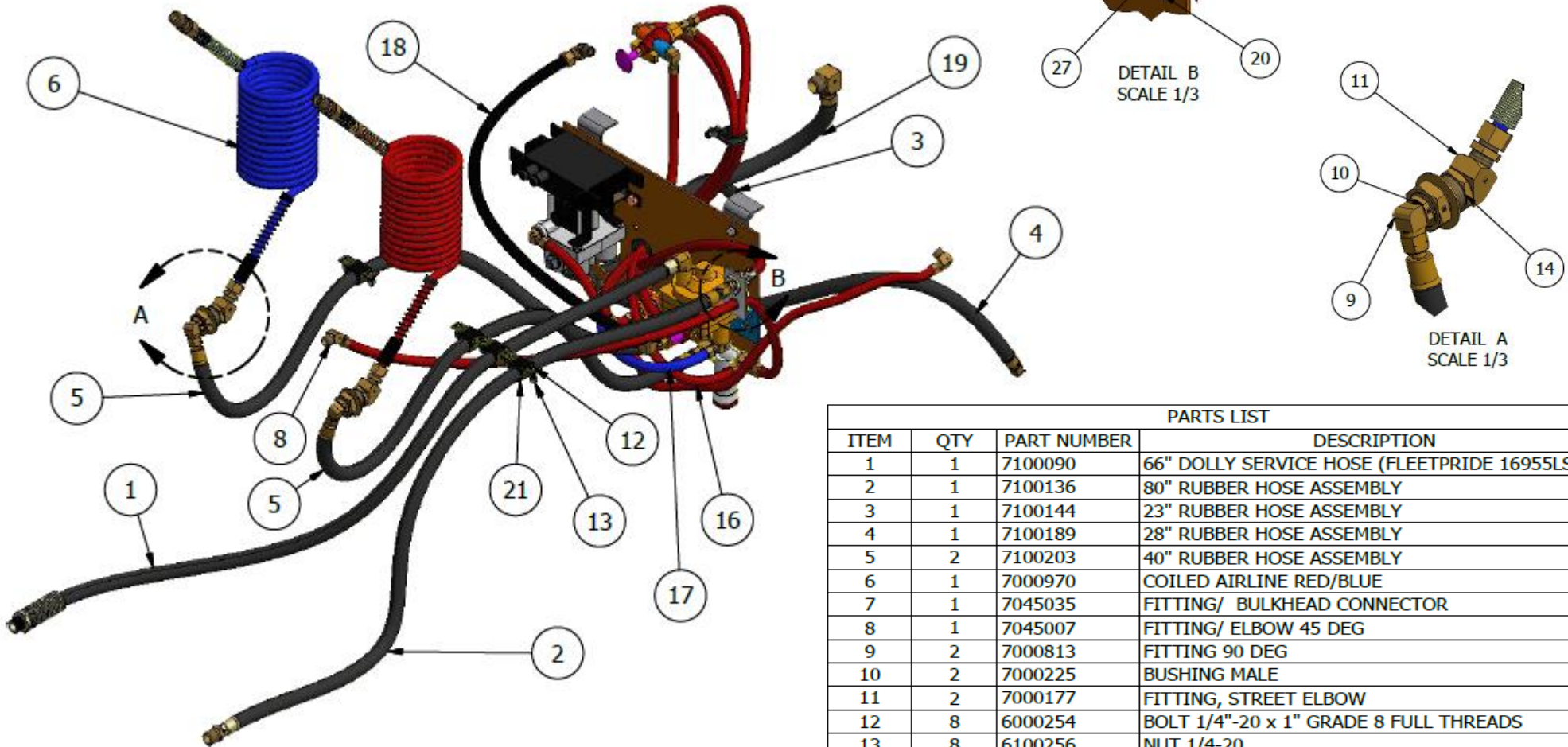
## 100N136



PARTS LIST			
ITEM	QTY	PART NUMBER	DESCRIPTION
1	2	7000058	GLADHAND, SERVICE - CAST / STRAIGHT
2	2	7000059	GLADHAND, EMERGENCY - CAST / STRAIGHT
3	4	7000225	BUSHING MALE 1/2" NPT x 3/8" NPT
4	2	7000017	GLADHAND, DUMMY - PHILLIPS

# AIR BRAKE HOSE ASSEMBLY

## 100N156



PARTS LIST			
ITEM	QTY	PART NUMBER	DESCRIPTION
1	1	7100090	66" DOLLY SERVICE HOSE (FLEETPRIDE 16955LSG)
2	1	7100136	80" RUBBER HOSE ASSEMBLY
3	1	7100144	23" RUBBER HOSE ASSEMBLY
4	1	7100189	28" RUBBER HOSE ASSEMBLY
5	2	7100203	40" RUBBER HOSE ASSEMBLY
6	1	7000970	COILED AIRLINE RED/BLUE
7	1	7045035	FITTING/ BULKHEAD CONNECTOR
8	1	7045007	FITTING/ ELBOW 45 DEG
9	2	7000813	FITTING 90 DEG
10	2	7000225	BUSHING MALE
11	2	7000177	FITTING, STREET ELBOW
12	8	6000254	BOLT 1/4"-20 x 1" GRADE 8 FULL THREADS
13	8	6100256	NUT 1/4-20
14	1	7000172	FITTING, 1/2" ANCHOR
15	1	7000189	FITTING, MALE CONNECTOR
16	1		TUBING, NYLON 3/8" OD RED
17	1		TUBING, NYLON 3/8" OD BLUE
18	1		TUBING, NYLON 1/2" OD BLACK
19	1		TUBING, NYLON 5/8" BLACK
20	1	7000211	DUAL AIRLINE BULKHEAD BRACKET
21	1	8001996	7/8" OD TUBE CUSHION CLAMP
22	1	8000275	CLAMP, RUBBER CUSHION
23	1	8000458	GROMMET 5/8: HOLE SIZE x 3/8" ID

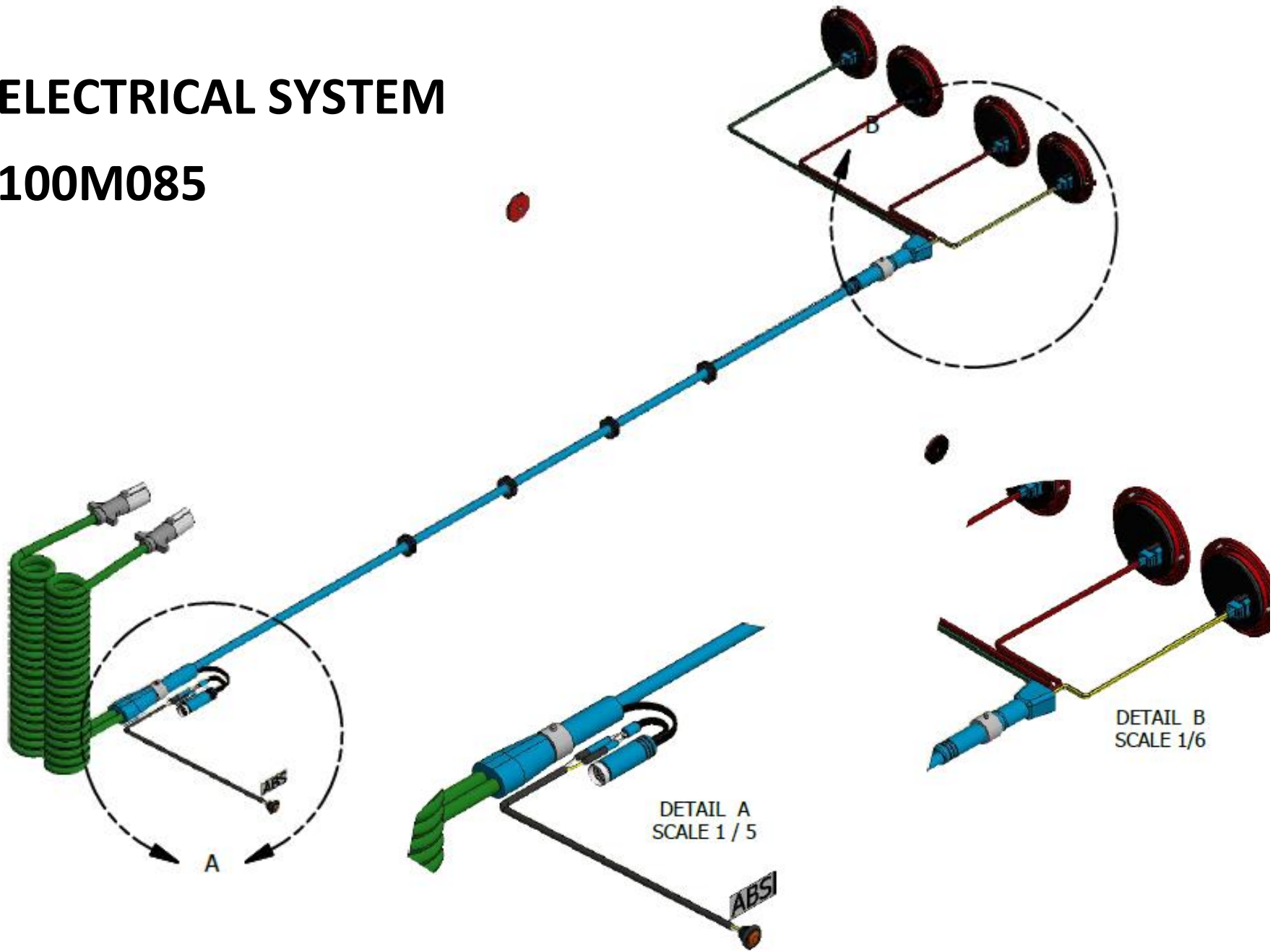


**ELECTRICAL ASSEMBLIES  
FOR  
XPO DOLLIES**



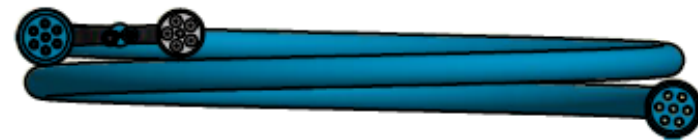
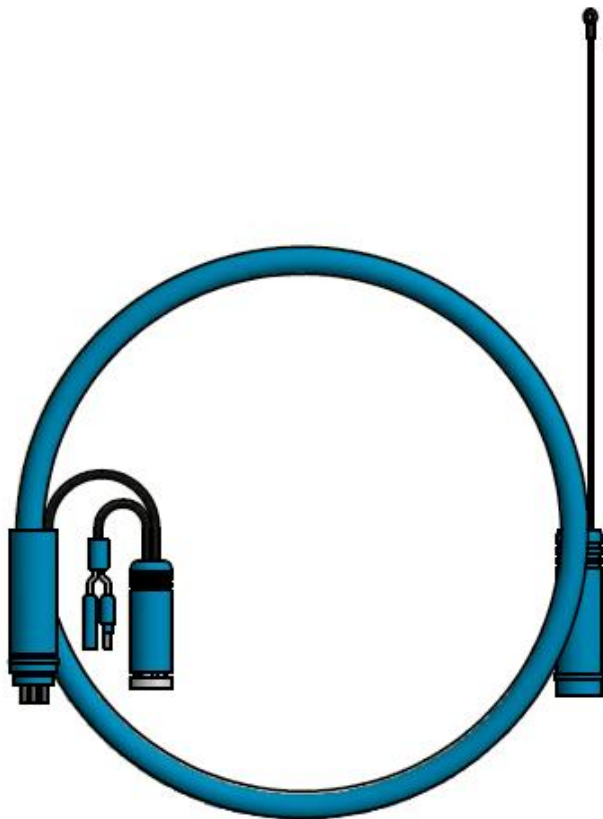
# ELECTRICAL SYSTEM

## 100M085



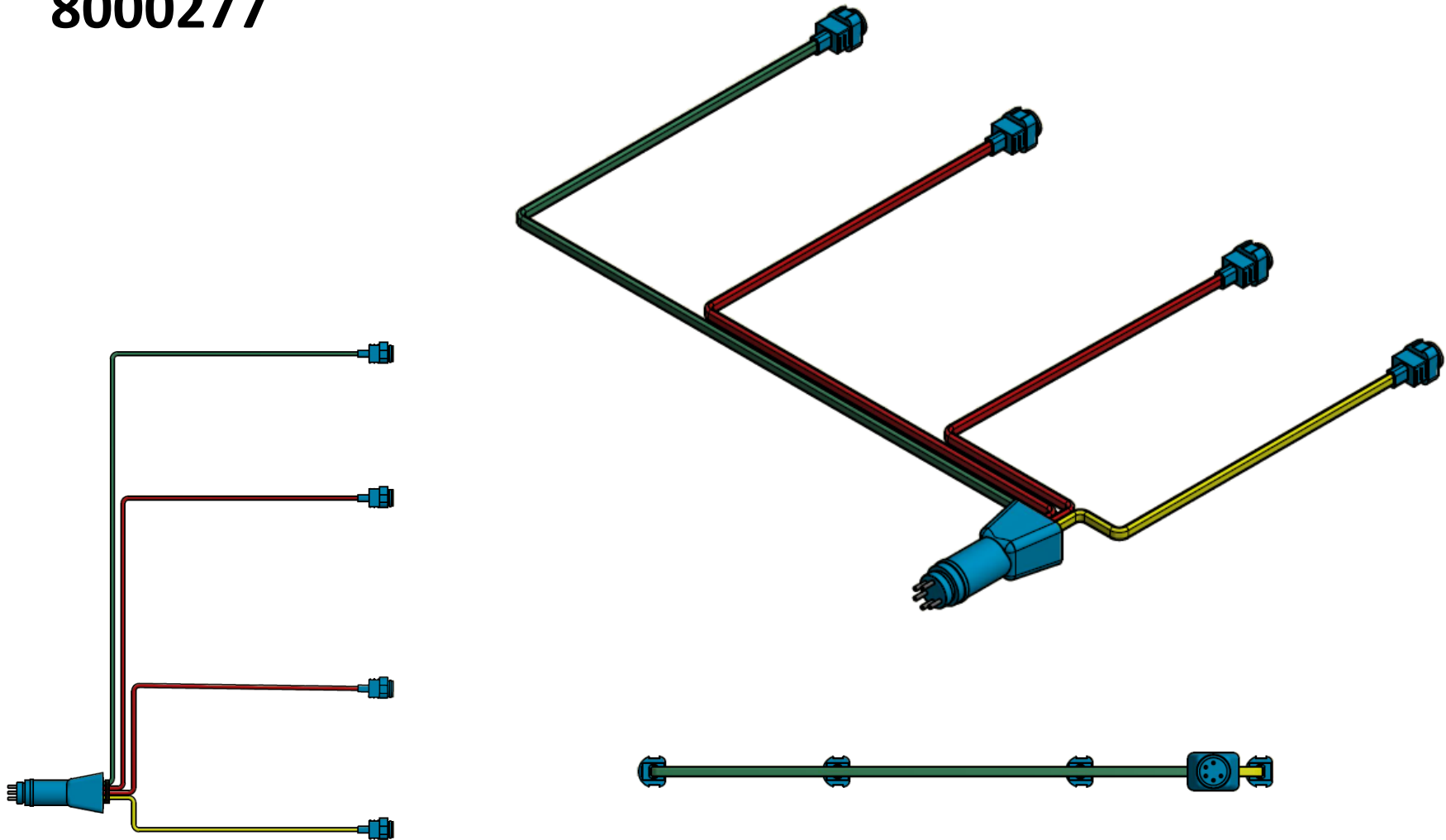
# MAIN HARNESS DDMI-01 ABS

8000274



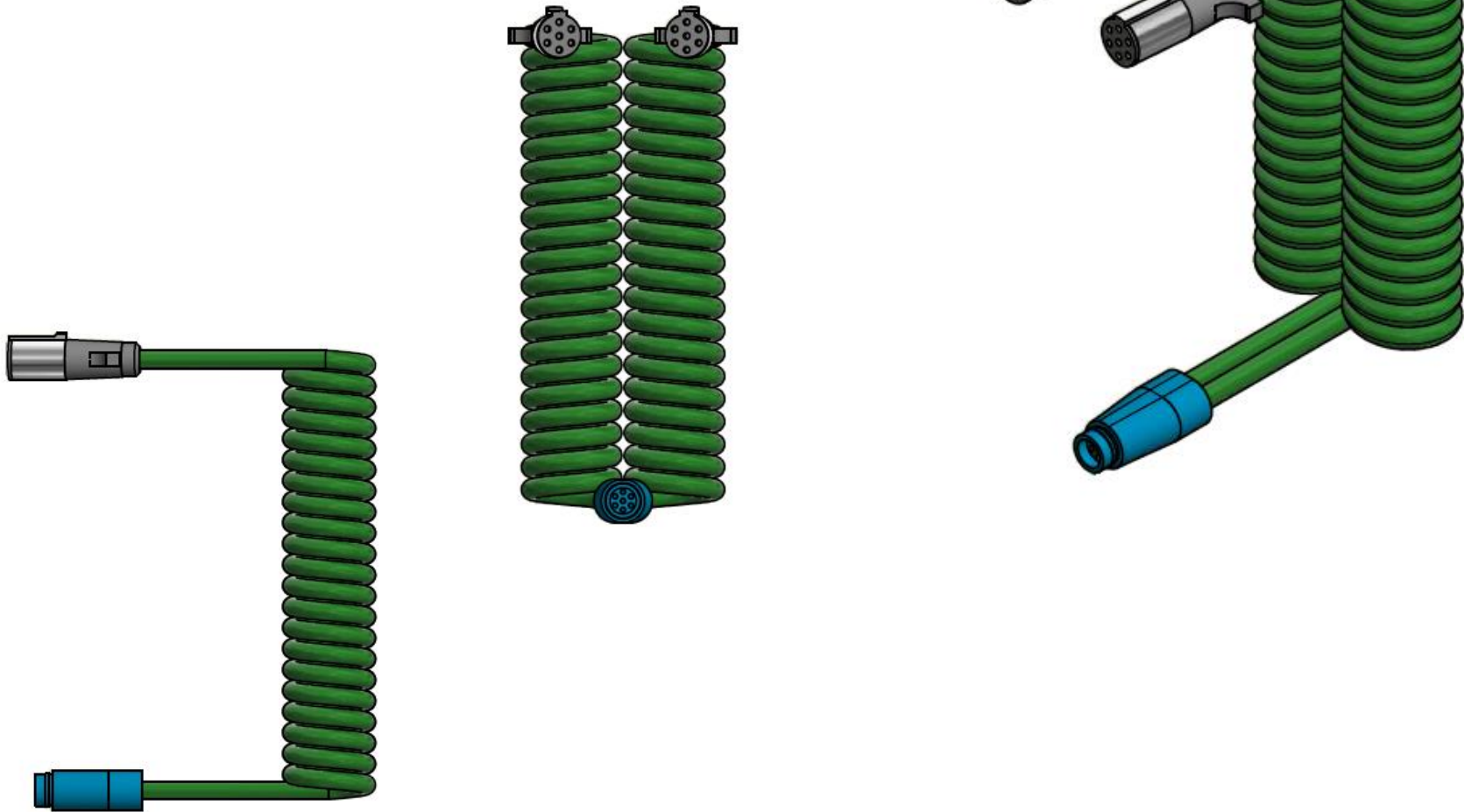
# REAR SILL HARNESS DOLLY W/ ABS

8000277



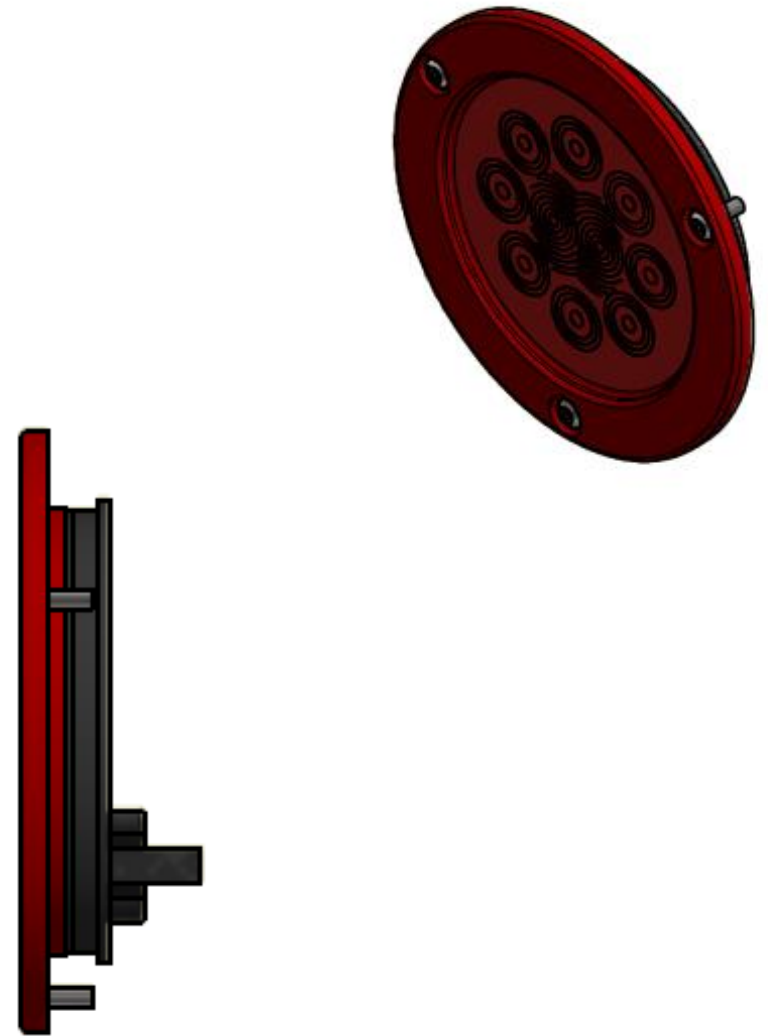
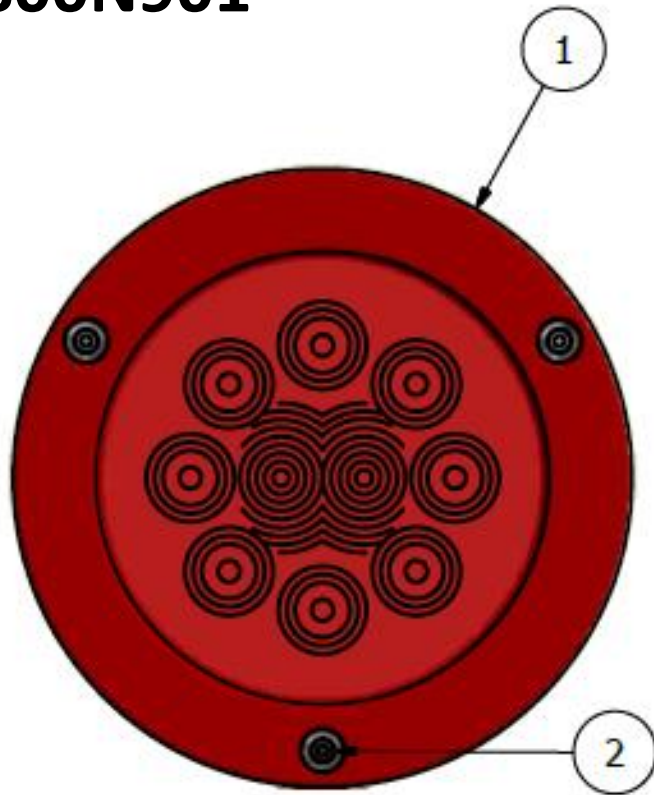
# 7-WAY DUAL HARNESS

8000278



# TAILLIGHT ASSEMBLY

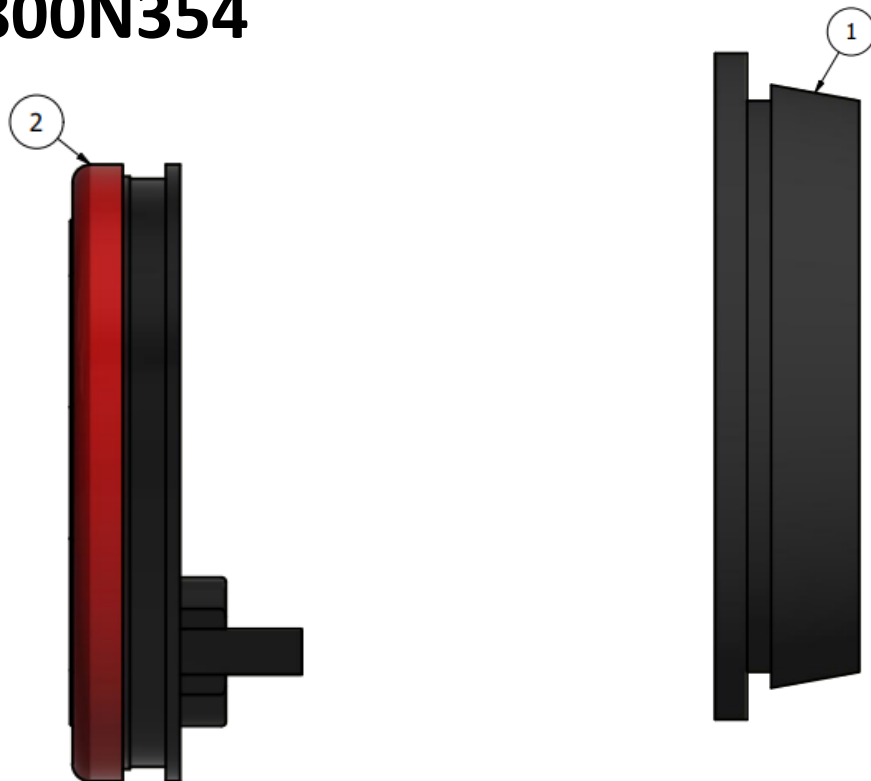
## 800N901



PARTS LIST			
ITEM	QTY	PART NUMBER	DESCRIPTION
1	1	8000575	TAIL LIGHT, 4" LED
2	3	6300119	RIVET, POP - AD6-8 ABS

# TAILLIGHT ASSEMBLY

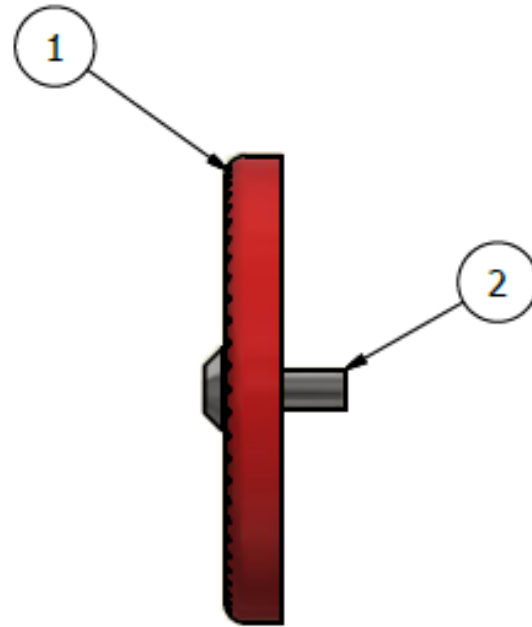
## 800N354



PARTS LIST			
ITEM	QTY	PART NUMBER	DESCRIPTION
1	1	8000906	GROMMET, TAIL LIGHT MOUNT
2	1	8001030	TAIL LIGHT, 4" LED, GROMMET MOUNT

# REFLECTOR ASSEMBLY

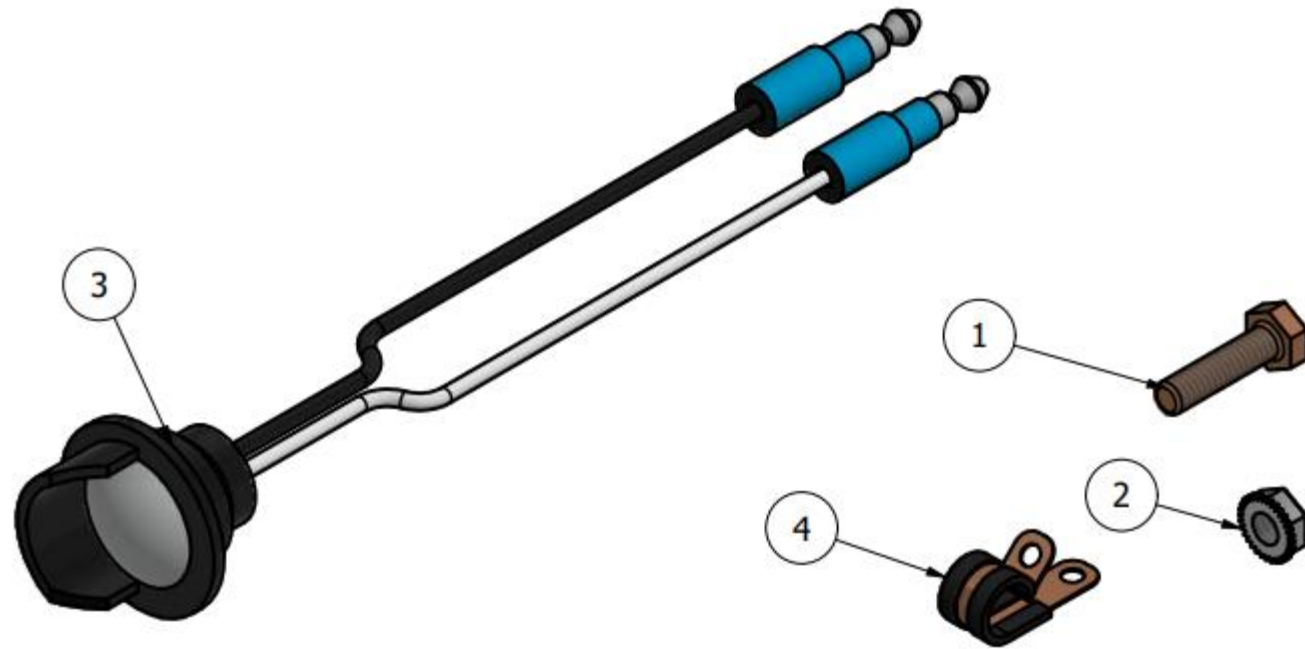
## 800N901



PARTS LIST			
ITEM	QTY	PART NUMBER	DESCRIPTION
1	1	8000901	REFLECTOR, RED MTG CENTER
2	1	6300126	RIVET, POP - SSBS-6S

# FIFTH WHEEL LIGHT ASSEMBLY (09/10)

## 800N355

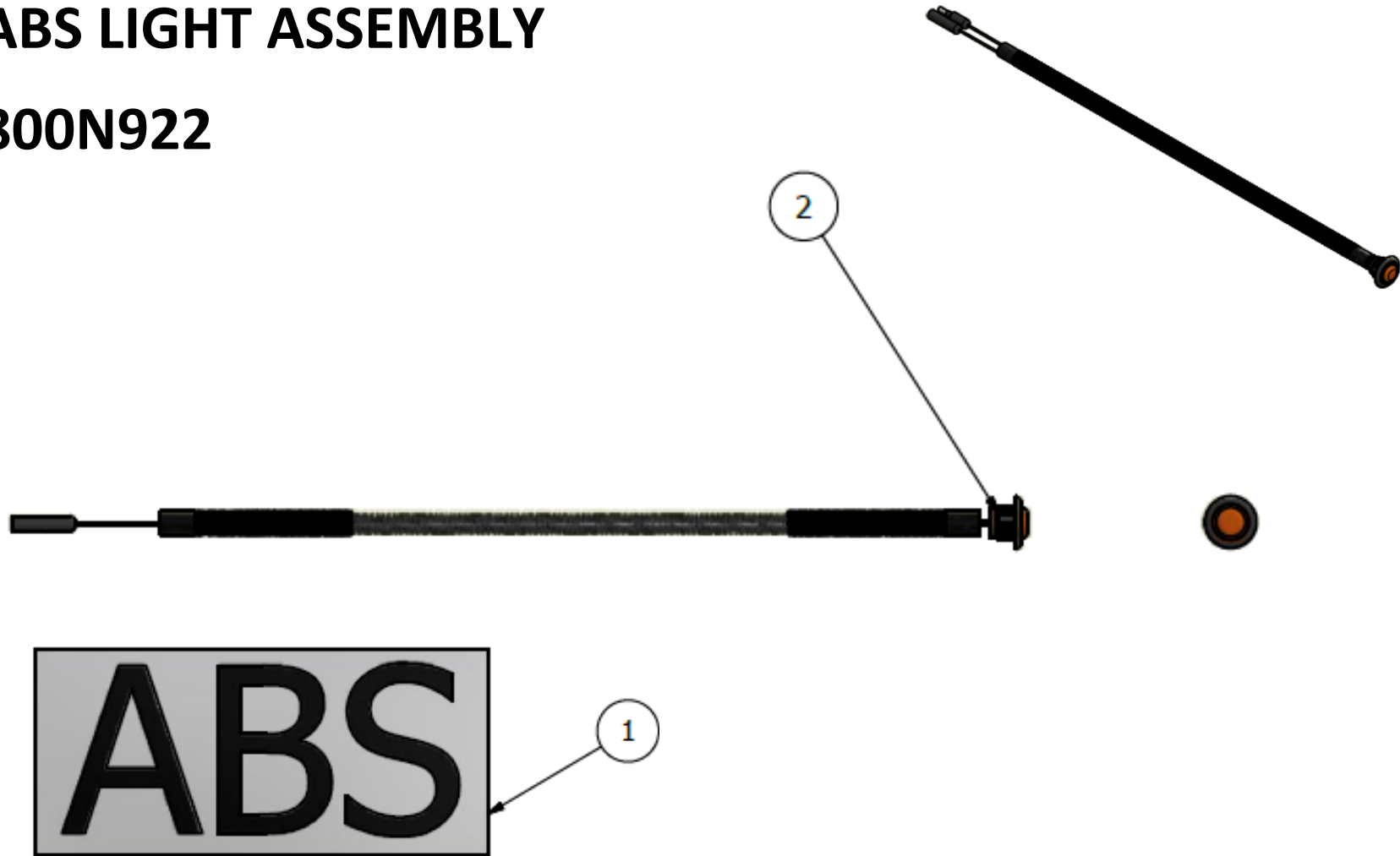


PARTS LIST			
ITEM	QTY	PART NUMBER	DESCRIPTION
	1	800N355	FIFTH WHEEL LIGHT ASSEMBLY
1	1	6000254	BOLT 1/4"-20 x 1"
2	1	6100256	NUT 1/4"-20 KEP STAINLESS
3	1	8000196	LICENSE LIGHT MICRONOVA
4	1	8000266	CUSHION CLAMP 1/4" (NUMBER 4)



# ABS LIGHT ASSEMBLY

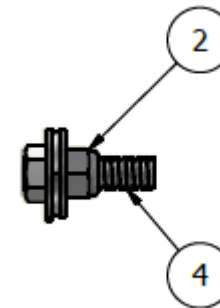
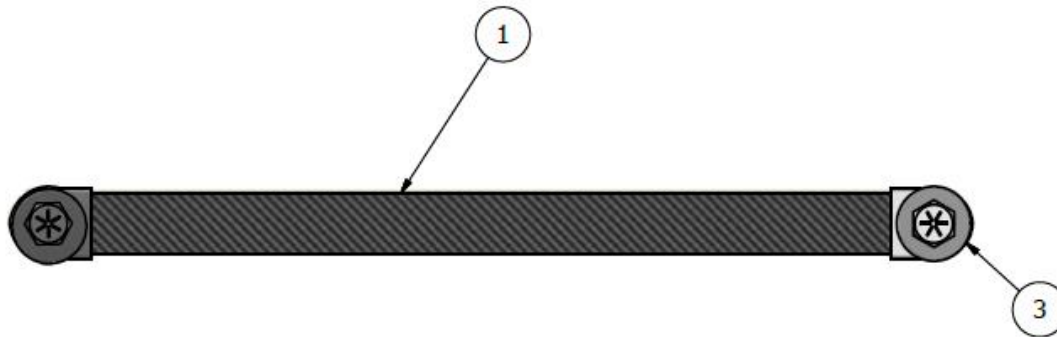
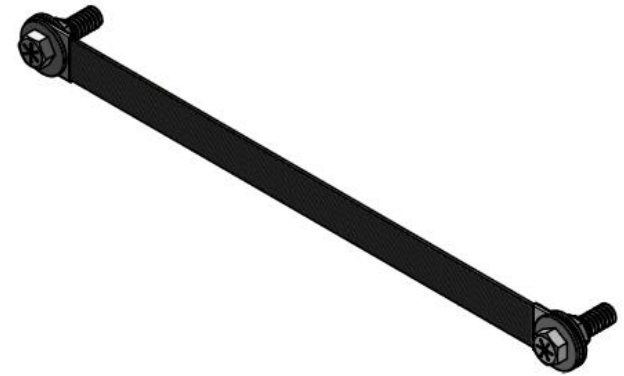
## 800N922



PARTS LIST			
ITEM	QTY	PART NUMBER	DESCRIPTION
1	1	7500200	ABS FAULT LAMP DECAL
2	1	8000573	MICRO-NOVA DOT AMBER PC LED LAMP SINGLE FUNCTION

# GROUND STRAP ASSEMBLY

## 801N003



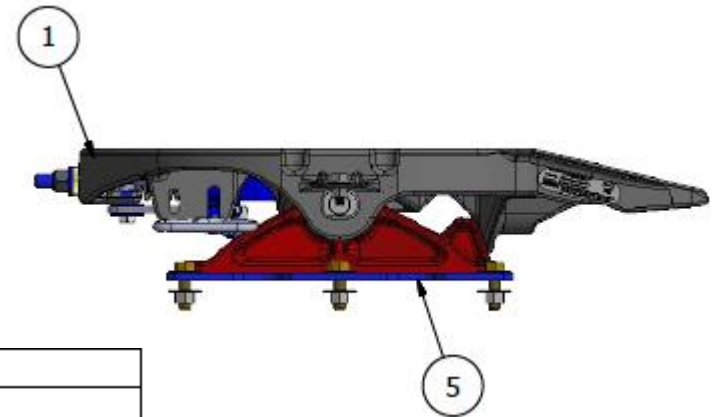
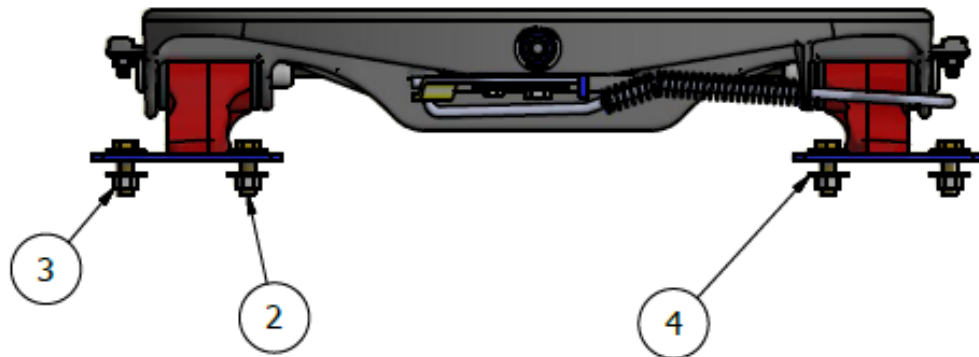
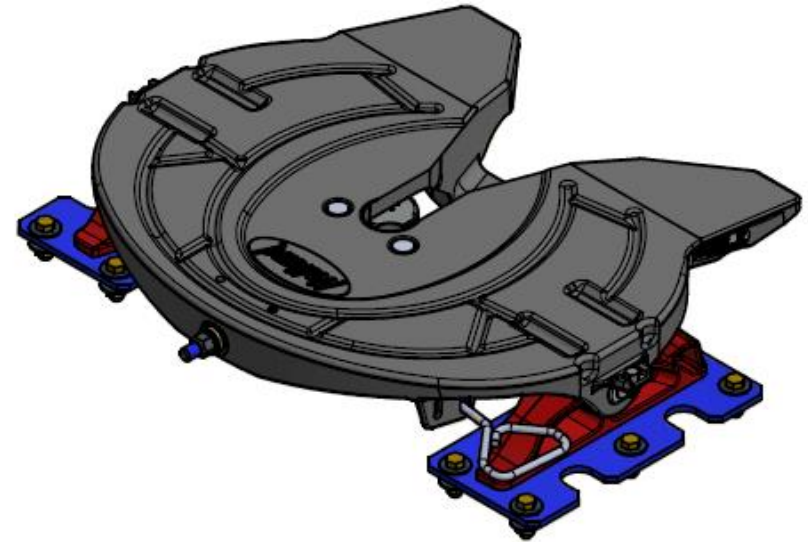
PARTS LIST			
ITEM	QTY	PART NUMBER	DESCRIPTION
1	1	8000961	ELECTRICAL STRAP
2	2	6100377	NUT 3/8-16 NYLOK PLATED
3	4	6200376	WASHER 3/8" FLAT USS PLATED
4	2	6000375	BOLT 3/8-16 x 1 1/4" GRADE 8



**FIFTH WHEEL ASSEMBLIES  
FOR  
XPO DOLLIES**

# FIFTH WHEEL ASSEMBLY (BOLT ON) 102" (07/08)

## 100M105



PARTS LIST			
ITEM	QTY	PART NUMBER	DESCRIPTION
1	1	1009148	FIFTH WHEEL ASSEMBLY, BOLT-ON, 7", LH FW35Y700XL00
2	10	6000626	BOLT, 5/8-18 x 2" GRADE 8 PLATED
3	10	6100627	NUT 5/8" -18 PINCH LOCK PLATED GRADE 8
4	20	6200629	WASHER, 5/8 FLAT SAE HARDENED
5	1	1009147	FIFTH WHEEL STAND BOLT-ON RK-Y700



**DECALS  
FOR  
XPO DOLLIES**

# DECAL, DOLLY COVER UP, XPO

7500378



# DECAL, AIR TANK DRAIN

7500202



# PLATE, VIN

## 7500590

<b>Manufactured By:</b>	<b>XPOLogistics Manufacturing</b>	<b>2001 S. Benton St. Searcy, Ar. 72143</b>
DATE OF MANUFACTURE:	_____	MODEL: _____
GROSS VEHICLE WEIGHT RATING: (GVWR)	<u>20,000LB (9.072KG)</u>	TIRES: <u>295/75R22.5</u>
GROSS AXLE WEIGHT RATING: (GAWR)	<u>20,000LB (9.072KG)</u>	RIMS: <u>22.5 x 8.25</u>
		PSI COLD: <u>105</u>
THIS VEHICLE CONFORMS TO ALL APPLICABLE FEDERAL AND CANADIAN VEHICLE SAFETY STANDARDS IN EFFECT ON THE DATE OF MANUFACTURE SHOWN ABOVE		
<b>SERIAL NUMBER (VIN):</b>	_____	
TYPE:	CONVERTER DOLLY	