

53' TRUCKLOAD TRAILER PARTS BOOK 2013



CONTENTS

A

ABS Warning Light Mounting Bracket.....	58
Air Brake Chamber Assembly.....	40
Air Brake Hose Assembly.....	29
Air Brake Hose Mounting Plate Assembly.....	38
Air Brake Valve Mounting Plate Assembly.....	33
Air Plate Mounting Angle.....	34
Air Tank Assembly.....	39
Air Filter Assembly.....	35
Air Kit Plate Assembly.....	48
Axle Assembly (PSI Equipped).....	41-42

B

Bumper Assembly.....	20
Bogie Hose Assembly.....	32
Bogie Sub Frame Assembly.....	28

D

Door Assembly.....	12
Door Frame Assembly.....	13
Door Frame Parts.....	15-18
Door Hinge Assembly.....	14

E

ECU & Relay Valve Assembly.....	36
Electrical System.....	45

F

Floor Assembly.....	5
Floor Frame Assembly.....	6
Forward Wall Assembly.....	7
Forward Wall Liner Assembly.....	9
Forward Wall Panel Assembly.....	8
Forward Wall 7-Way Receptacle.....	24
Forward Wall Electrical Harness.....	47
Front Protection Plate Assembly.....	50

Fasteners

Bumper Fasteners.....	21
Door Fasteners.....	14
Hub Cap Fastener Kit.....	41
Landing Leg Fastener Kit Pack Assembly.....	27

G

Glad Hand Assembly.....	30
-------------------------	----

K

Kingpin Spool.....	24
--------------------	----

L

Landing Leg Assembly.....	25
Landing Leg Sub Assemblies.....	26

Lights

ABS Warning Light Assembly.....	57
Forward Wall Marker Lights.....	49
Header Clearance Light Assembly.....	55
License Light Assembly.....	56
Lower Rear Marker Lights.....	52
Mid-Turn Light Electrical Assembly.....	51
Stop Light Assembly.....	54

M

Main Harness.....	46
Mud Flap Assembly.....	22

P

Pressure Protection Valve.....	43
PSI PPV Valve Installation Assembly.....	44

R

Rear Sill Electrical Assembly.....	53
Roof Assembly.....	11

S

Sidewall Assembly.....	10
Slider Hose Hanger Assembly.....	31
Spring Bracket Control Valve.....	37
Suspension Assembly.....	19

U

Upper Coupler Assembly.....	23
-----------------------------	----

340M105 FLOOR ASSEMBLY

FASTENERS

6400213 (752) FLOOR SCREWS

340K047 COMPOSITE FLOOR KIT

3400479 (2) OUTER FLOOR BOARD

3400462 (1) TRANSITION FLOOR BOARD

3400460 (5) CENTER FLOOR BOARD

3403304 (1) STEEL FLOOR PLATE

3403307 (2) STEEL FLOOR SIDE PLATE

340N081 (35) FLOOR FRAME
I BEAM ASSEMBLY

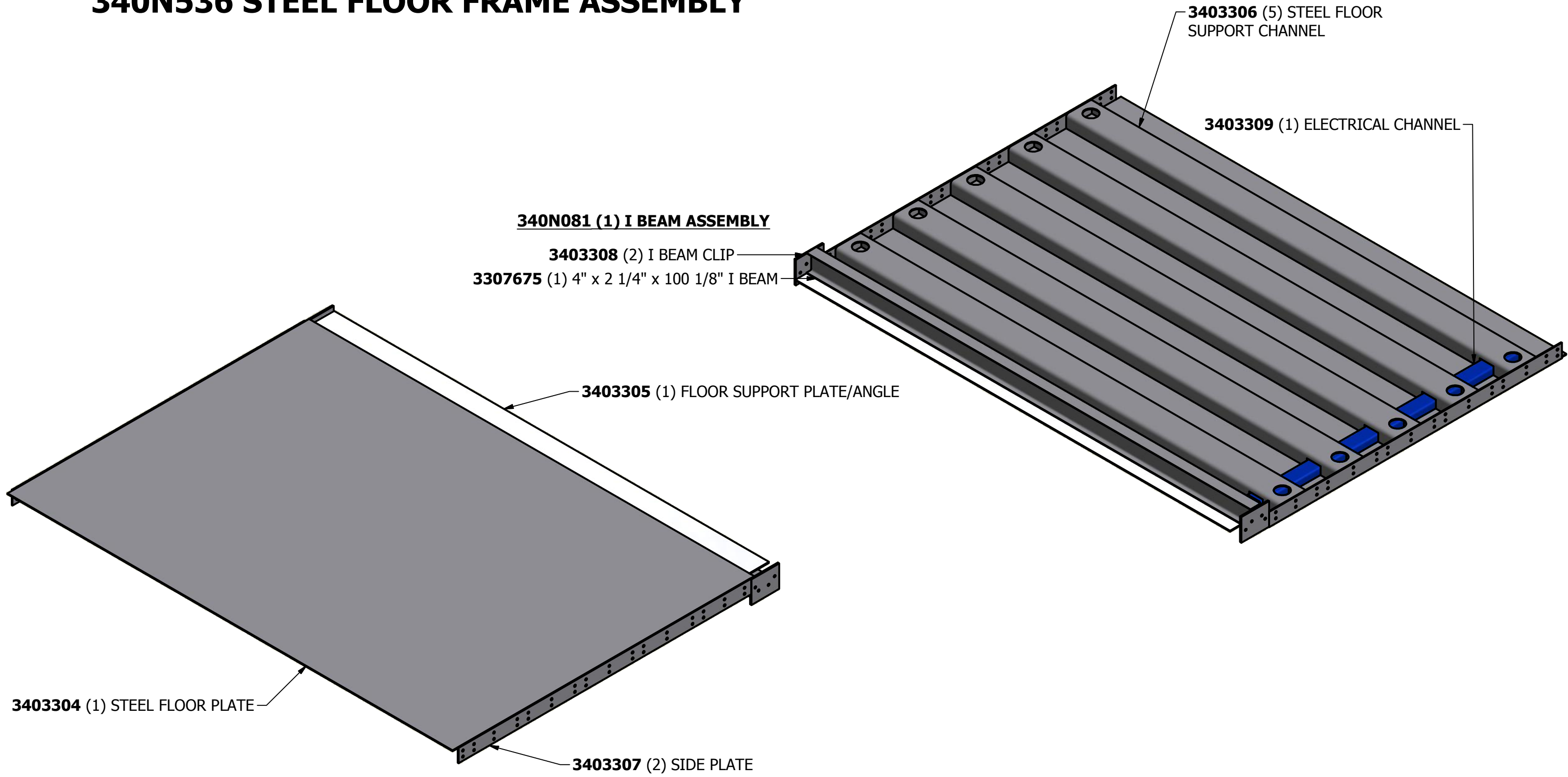
3400501 (1) THRESHOLD PLATE

340N081 FLOOR FRAME I BEAM ASSEMBLY

3307675 (1) 4" x 2 1/4" x 100 1/8" I BEAM

3403308 (2) I BEAM CLIP

340N536 STEEL FLOOR FRAME ASSEMBLY



**CTL 53'
FORWARD WALL ASSEMBLY
410M117**

4100407 (2)
UPPER RAIL SUPPORT

410N101 (1)
LINER ASSEMBLY

4100129
FWD WALL HEADER

410N117 (1) PANEL ASSEMBLY

750N478 (2) PLACARD HOLDER AY.

410N098 (1) AIR KIT PLATE ASSEMBLY

4100080 (4) FWD WALL POST

410N098 AIR KIT PLATE ASSEMBLY FASTENERS

6000306 (4) MACHINE SCREW 5/16"-18 x 1" SLOTTED TRUSS

6000312 (4) BOLT 5/16"-18 x 3/4" ROLOC SELF TAPPING

6000329 (4) BOLT 5/16"-18 x 3" GRADE 5 PLATED

6100317 (8) NUT 5/16"-18 KEP STAINLESS

6300112 (.018 LBS) SOLID RIVET

**FORWARD WALL
PANEL ASSEMBLY
410N117**

4105345 (1)
C/S BULLNOSE EXTRUSION

4105343 (1)
C/S PANEL

4100080 (4)
POST

4105342 (1)
R/S PANEL

4105344 (1)
R/S BULLNOSE EXTRUSION

**FORWARD WALL PANEL
ASSEMBLY FASTENERS**

6000363 3/8"-16 x 1 1/4" BOLT (2)

6000364 3/8"-16 x 1 3/4" BOLT (2)

6100377 3/8"-16 NUT (4)

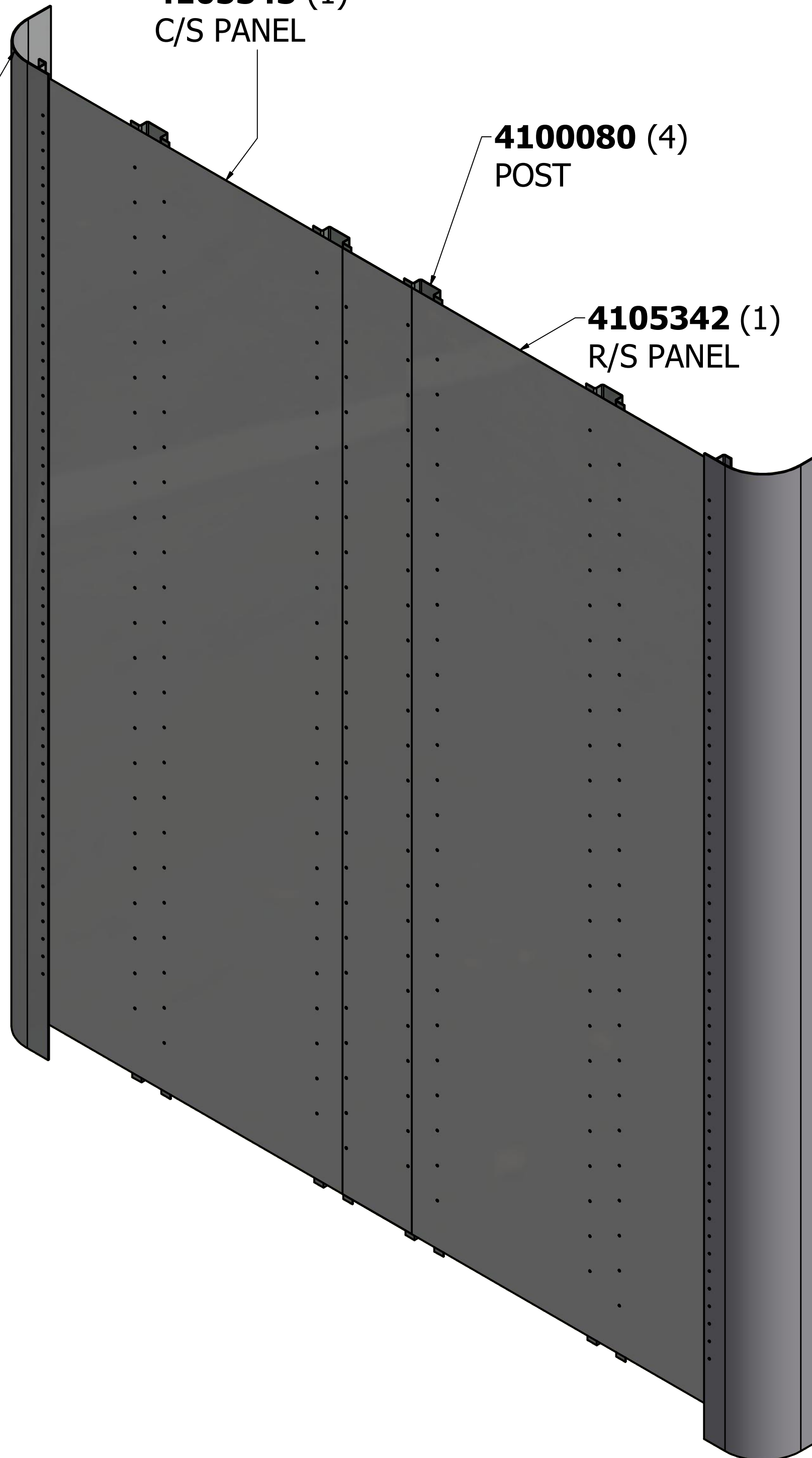
6100013 SOLID RIVET (.103 LBS)

6300014 SOLID RIVET (.14 LBS)

6300016 SOLID RIVET (.0565 LBS)

6300023 SOLID RIVET (.365 LBS)

6300108 SOLID RIVET (.36 LBS)



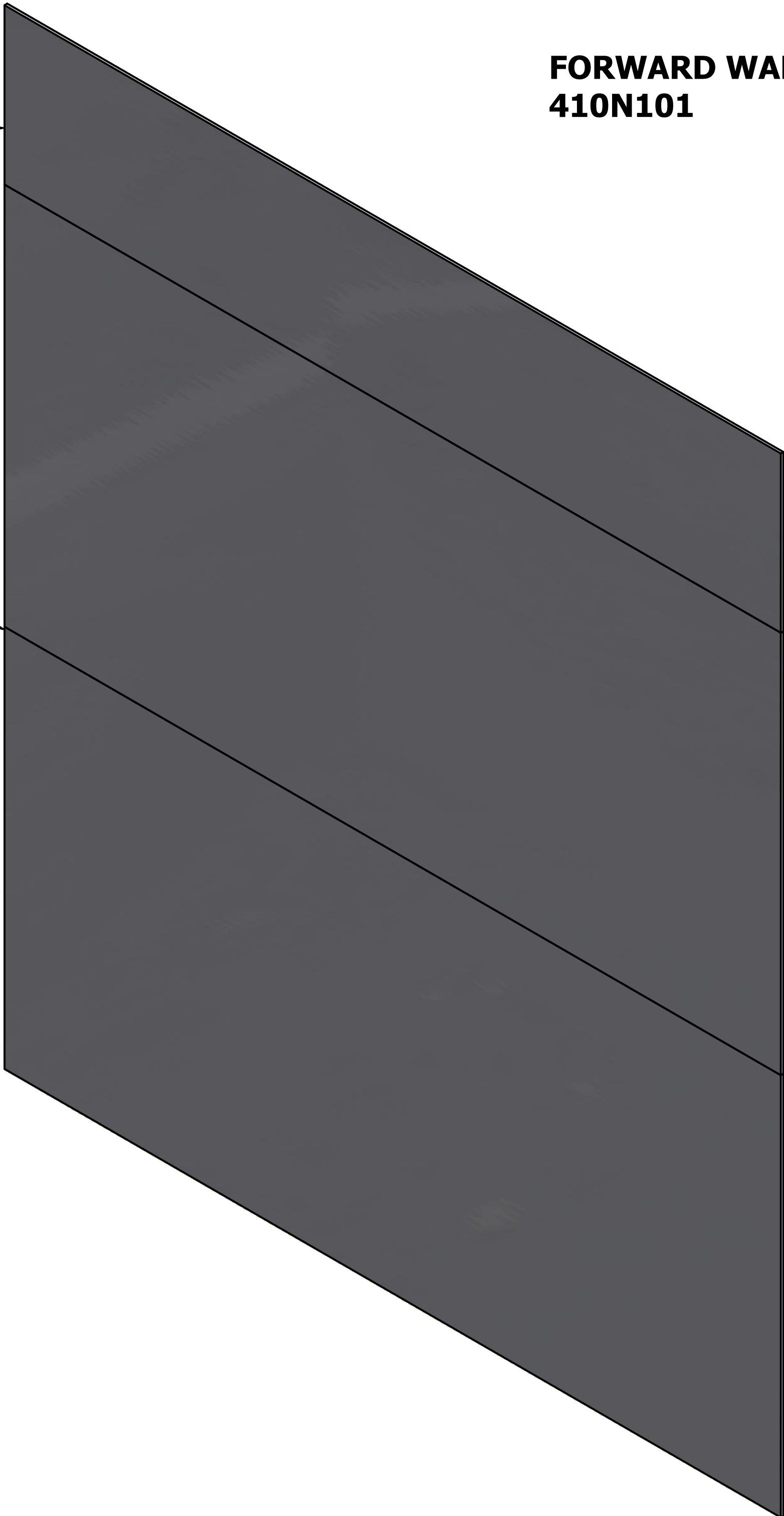
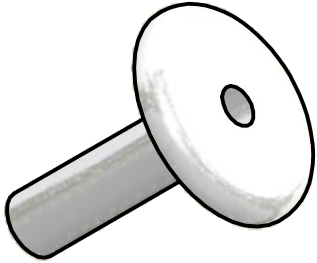
**FORWARD WALL LINER ASSEMBLY
410N101**

4100053 FWD WALL
LINER PANEL

4100052 FWD WALL LINER PANEL (2)

LINER ASSEMBLY FASTENERS

6300114 POP RIVET (60)



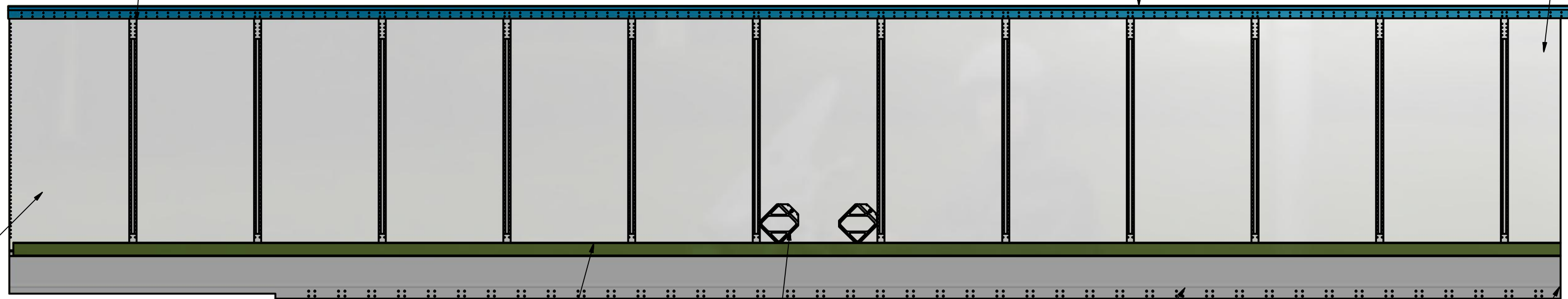
4200915 (12) DURAPLATE
LOGISTIC OUTER COVER STRIP

4200916 (12) DURAPLATE
LOGISTIC INNER COVER STRIP

PLACARD LOCATION
IS THE SAME ON C/S
AND R/S SIDEWALL

4205317 627" LONG UPPER RAIL (1)
C/S & R/S

4200323 REAR PANEL (1)
C/S & R/S



4201109 LOWER RAIL (1) C/S & R/S

4200317 DURAPLATE SIDEWALL PANEL (12)
C/S & R/S

4201111 (1) FLOOR SEAL

750N478 PLACARD HOLDER ASSEMBLY (2)
C/S & R/S

FASTENERS:

6300013 - 8-10 PPW RIVET
--SIDEWALL POST TO PANEL (1392)

6300097 - 8-16 NAT RIVET
--INTERMEDIATE RAIL TO PANEL (248)
--UPPER RAIL TO POST (48)
--REAR PANEL TO DOOR POST (45)

6300098 - 8-18 NAT RIVET
--INTERMEDIATE RAIL TO POST (48)

6300108 - 8-10 NAT RIVET
--INTERMEDIATE RAIL TO HIGH BASE RAIL (148)

6300110 - 8-12 NAT RIVET
--BULLNOSE TO PANEL (58)

6300129 - 8-14 NAT RIVET
--UPPER RAIL TO PANEL (248)

6000355 - GALVANIZED HUCK BOLT
--RAIL TO I-BEAMS (174)

6100352 - GALVANIZED HUCK COLLAR
--RAIL TO I-BEAMS (174)

6000363 - 5/16-18 LOWER RAIL BOLT
--RAIL TO STEEL FLOOR ASSY. & UPPER COUPLER (66)

6100377 - 5/16-18 LOCKNUT
--RAIL TO STEEL FLOOR ASSY. & UPPER COUPLER (66)

NOTE: STAMP RAIL AT 40'
KINGPIN TO FRONT AXLE

4201110 (1) HD LOWER RAIL SPLICE

450M022 ROOF ASSEMBLY

FASTENERS

- 6300015** (70) POP RIVET 6-9 CLOSED END
- 6300105** (.349 LBS) SOLID RIVET AN45AD6-10
- 6300162** (836) SOLID RIVET 10MM HENROB

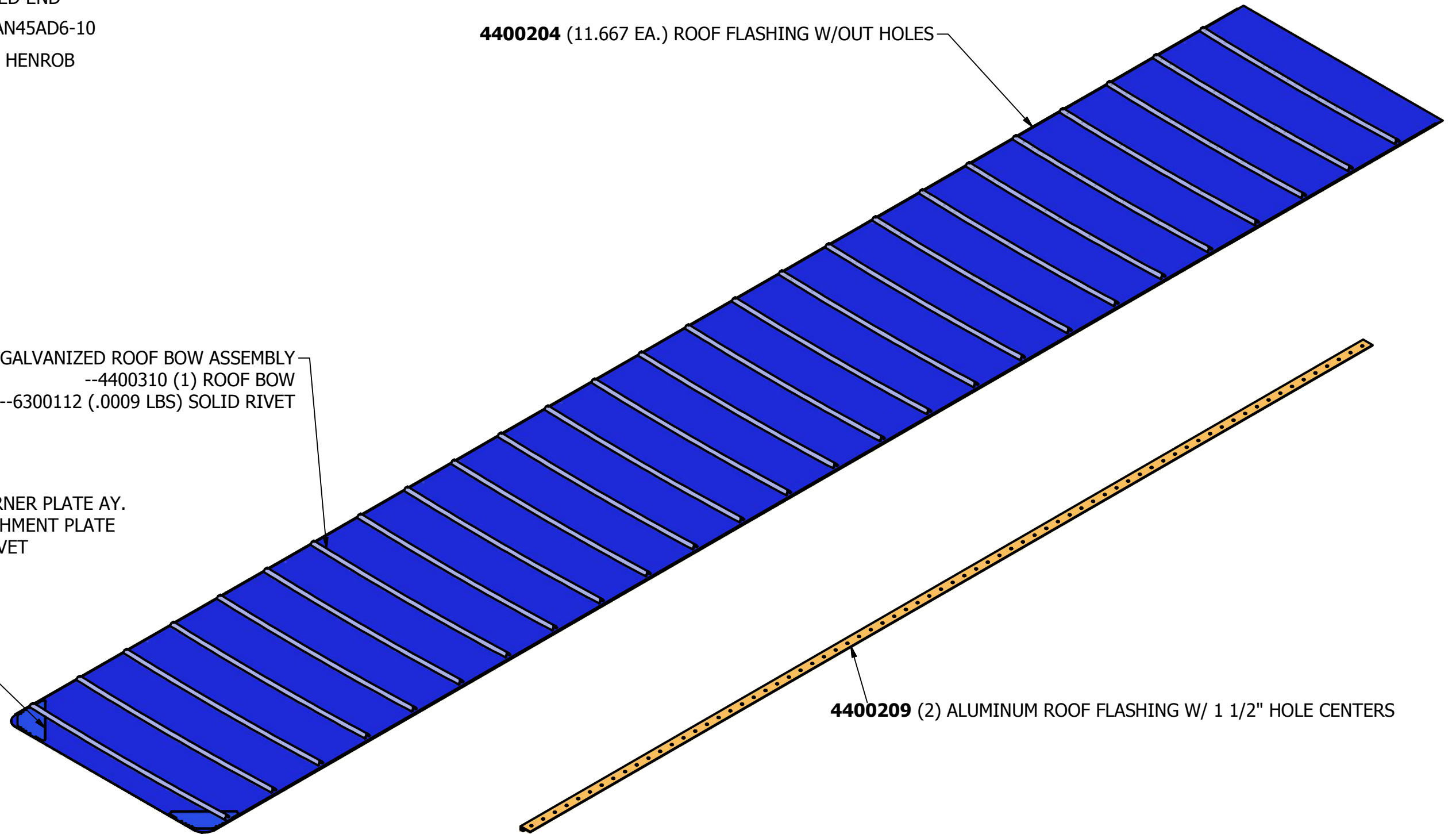
4400204 (11.667 EA.) ROOF FLASHING W/OUT HOLES

440N007 (26) GALVANIZED ROOF BOW ASSEMBLY
--4400310 (1) ROOF BOW
--6300112 (.0009 LBS) SOLID RIVET

460N000 (2) FWD WALL CORNER PLATE AY.
4607205 (1) CORNER ATTACHMENT PLATE
6300106 (.37 LBS) SOLID RIVET

4400209 (2) ALUMINUM ROOF FLASHING W/ 1 1/2" HOLE CENTERS

7800404 (262 LBS.) ALUMINUM COIL



DOOR & FRAME ASSEMBLY

500M059



430N115 (6) SWING DOOR HINGE ASSEMBLY

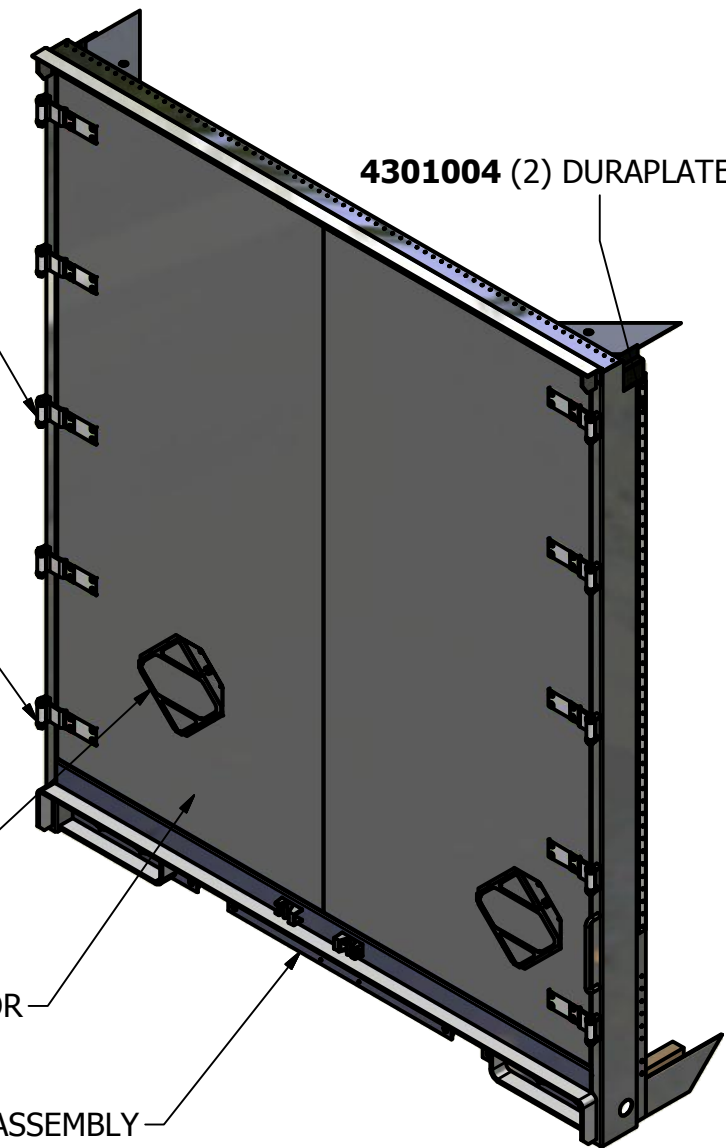
430N116 (4) CORNER HINGE ASSEMBLY

750N117 (2) DECAL ASSEMBLY

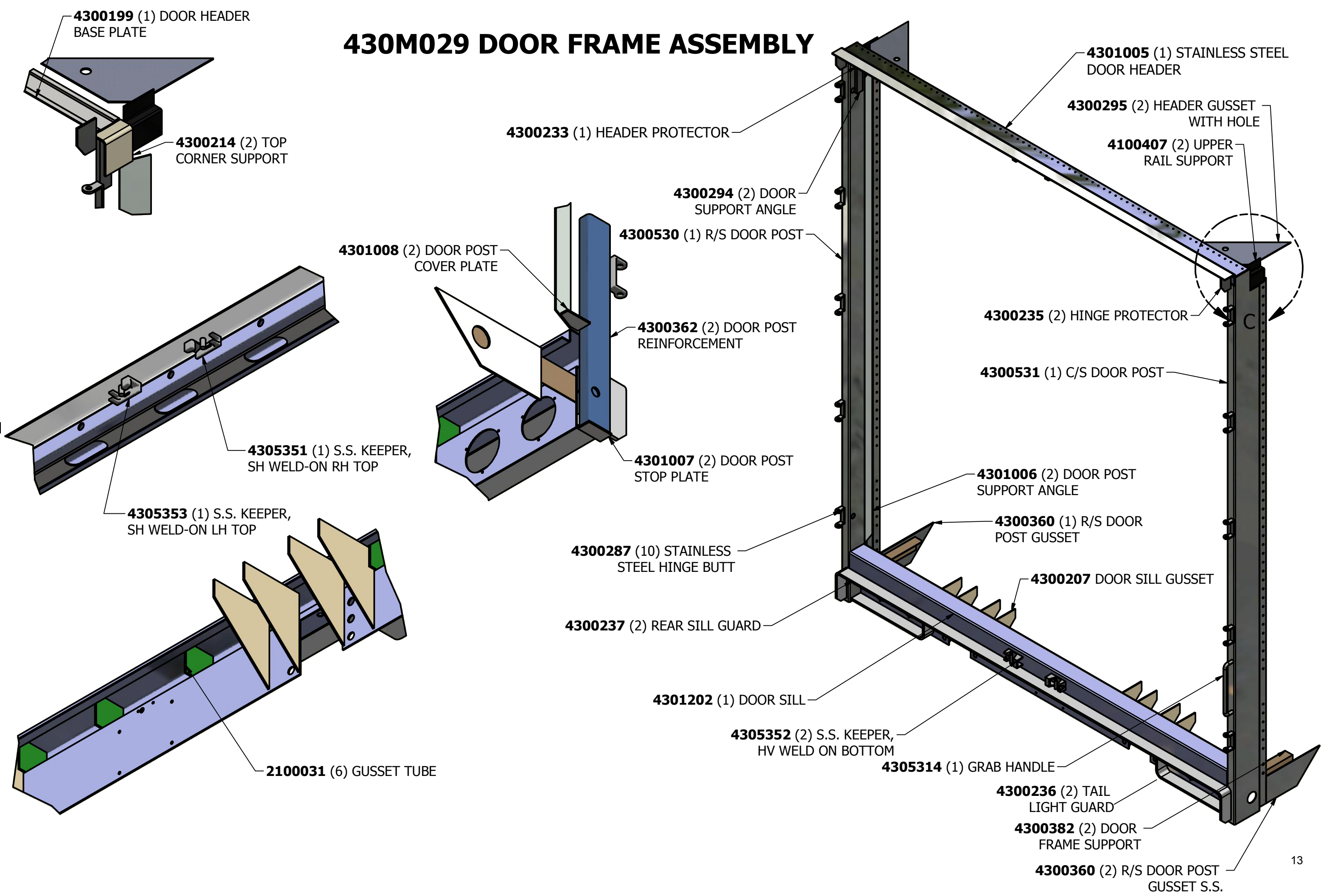
4300246 (2) 1/2" DURAPLATE SWING DOOR

430M029 (1) DOOR FRAME ASSEMBLY

4301004 (2) DURAPLATE SHIM



430M029 DOOR FRAME ASSEMBLY



4300199 (1) DOOR HEADER
BASE PLATE

4300214 (2) TOP
CORNER SUPPORT

4301008 (2) DOOR POST
COVER PLATE

4305351 (1) S.S. KEEPER,
SH WELD-ON RH TOP

4305353 (1) S.S. KEEPER,
SH WELD-ON LH TOP

2100031 (6) GUSSET TUBE

4300233 (1) HEADER PROTECTOR

4300294 (2) DOOR
SUPPORT ANGLE

4300530 (1) R/S DOOR POST

4300362 (2) DOOR POST
REINFORCEMENT

4301007 (2) DOOR POST
STOP PLATE

4300287 (10) STAINLESS
STEEL HINGE BUTT

4300237 (2) REAR SILL GUARD

4301202 (1) DOOR SILL

4305352 (2) S.S. KEEPER,
HV WELD ON BOTTOM

4305314 (1) GRAB HANDLE

4300236 (2) TAIL
LIGHT GUARD

4300382 (2) DOOR
FRAME SUPPORT

4300360 (2) R/S DOOR POST
GUSSET S.S.

4301005 (1) STAINLESS STEEL
DOOR HEADER

4300295 (2) HEADER GUSSET
WITH HOLE

4100407 (2) UPPER
RAIL SUPPORT

4300235 (2) HINGE PROTECTOR

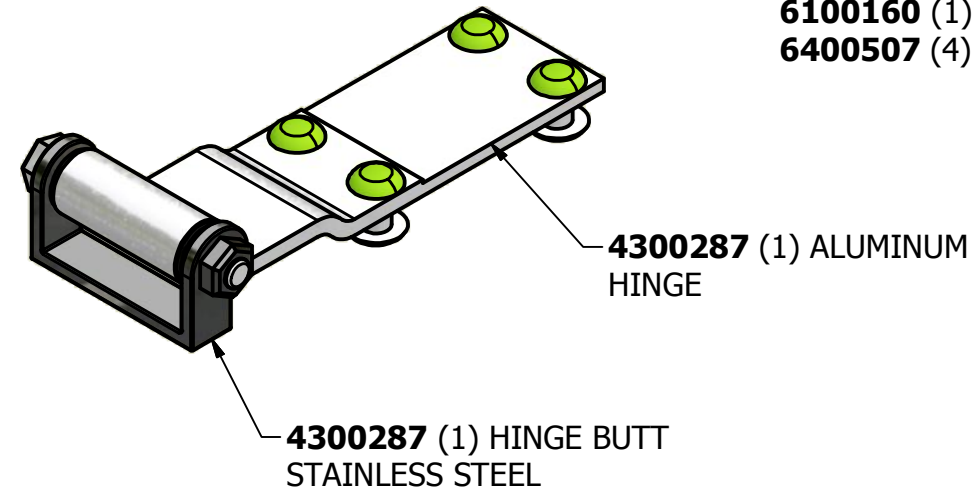
4300531 (1) C/S DOOR POST

4301006 (2) DOOR POST
SUPPORT ANGLE

4300360 (1) R/S DOOR
POST GUSSET

4300207 DOOR SILL GUSSET

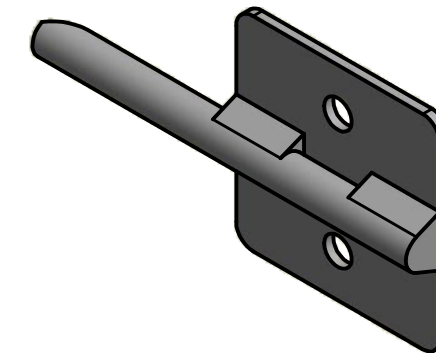
430N115 SWING DOOR HINGE ASSEMBLY



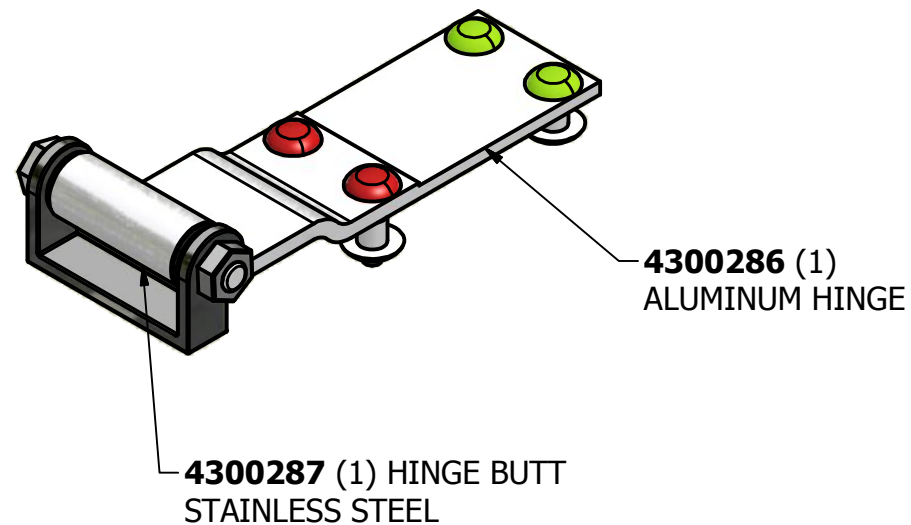
430N115 FASTENERS

- 6000160** (1) 1/2"-13 x 4" S-DRIVE
- 6000335** (4) CAMTAINER NUT 5/16"-18 x 1/2" TORX T55
- 6100160** (1) 1/2"-13 NYLOK NUT
- 6400507** (4) 5/16"-18 x 5/8 CAMTAINER BOLT

430N119 (4) SWING DOOR LATCH- ANTI-THEFT PINS



430N116 CORNER HINGE ASSEMBLY



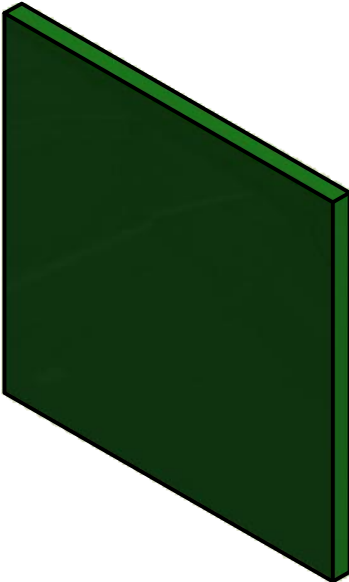
430N116 FASTENERS

- 6000160** (1) 1/2"-13 x 4" S-DRIVE
- 6000335** (4) CAMTAINER NUT 5/16"-18 x 1/2" TORX T55
- 6100160** (1) 1/2"-13 NYLOK NUT
- 6400507** (4) 5/16"-18 x 5/8 CAMTAINER BOLT

500M059 FASTENERS

- 6100256** (3) 1/4"-20 KEP STAINLESS NUT
- 6400606** (3) 1/4"-20 x 3/4" STUD WELD
- 8000266** (3) CLAMP, 1/4" (NUMBER 4) RUBBER CUSHION
- 8000451** (1) 1 1/16" HOLE x 3/4" ID x 1/4" GROOVE GROMMET
- 8000458** (1) 5/8" HOLE SIZE x 3/8" ID x 1/8" GROOVE GROMMET

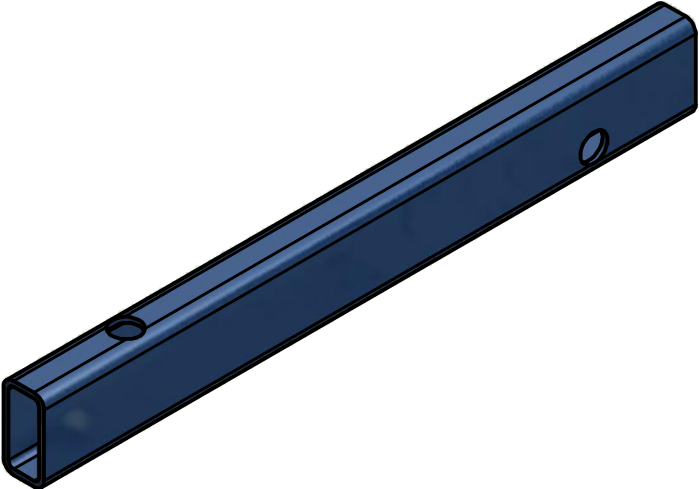
2100031 (6) TUBE SUPPORT GUSSET



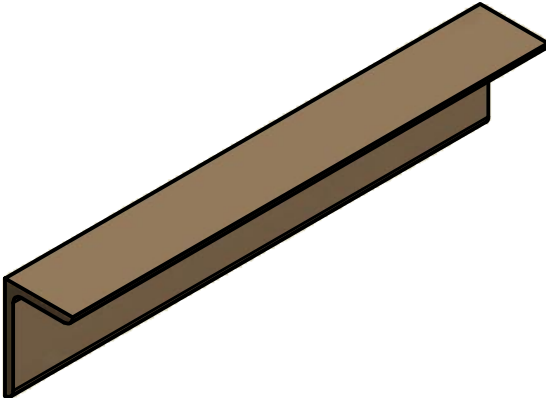
4100407 (2) UPPER RAIL SUPPORT



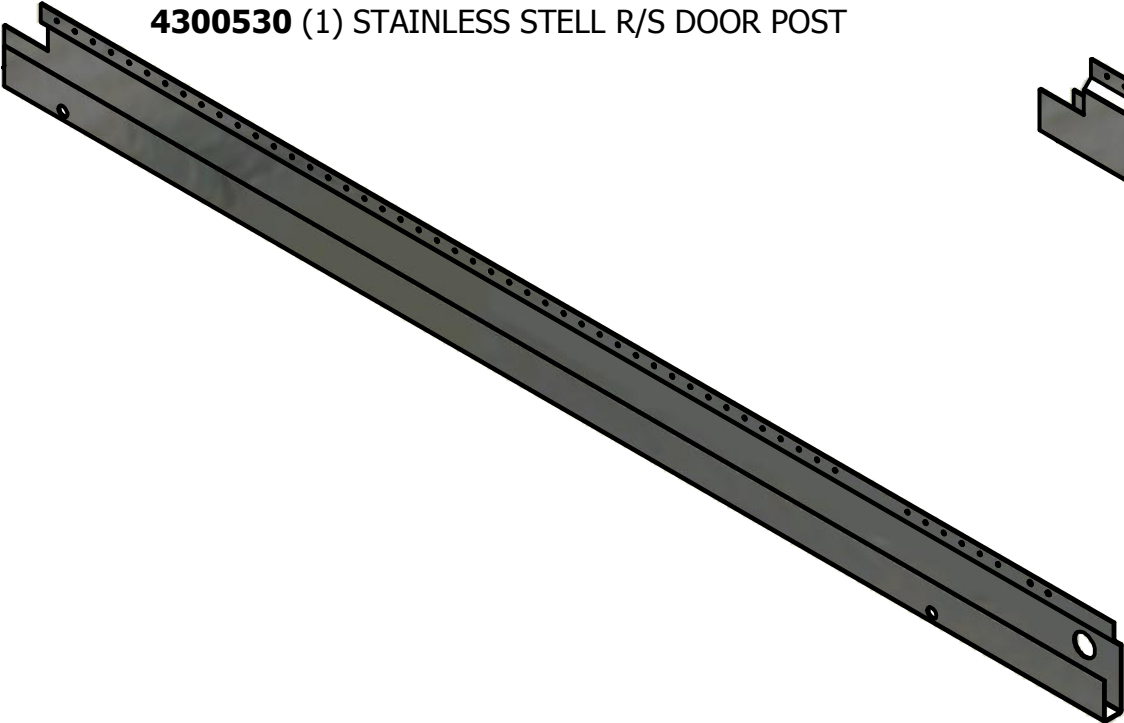
4300362 (2) SWING DOOR DOOR POST REINFORCEMENT



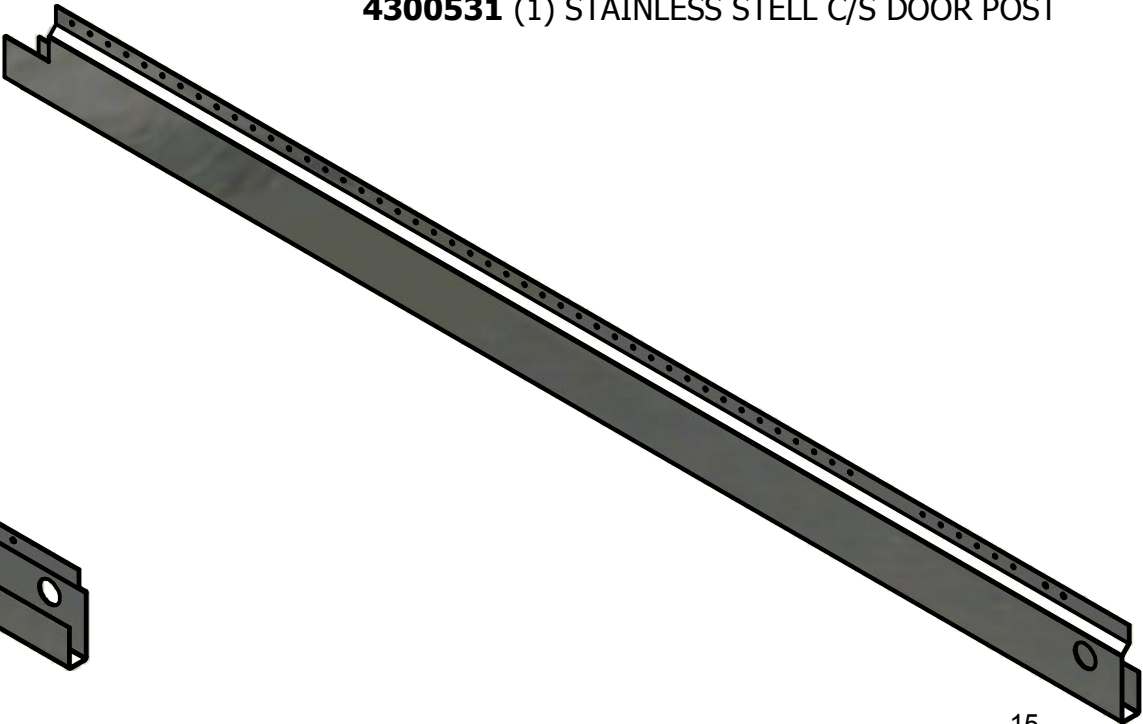
4300382 (2) DOOR FRAME SUPPORT



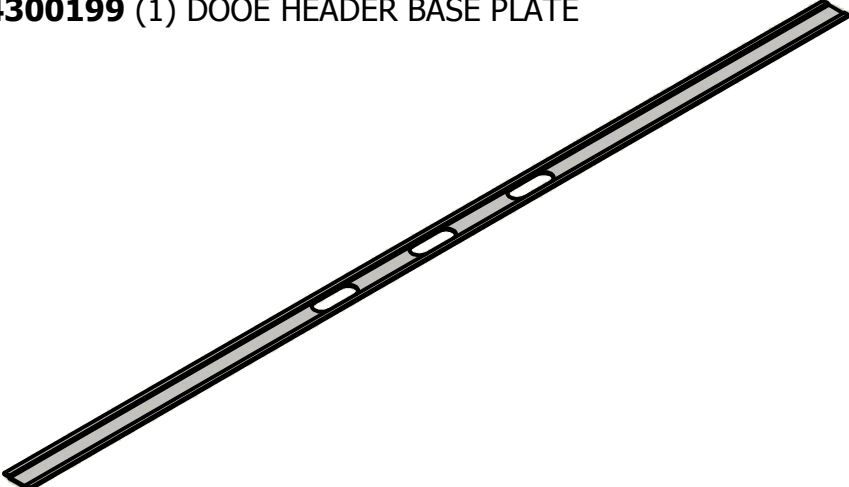
4300530 (1) STAINLESS STEEL R/S DOOR POST



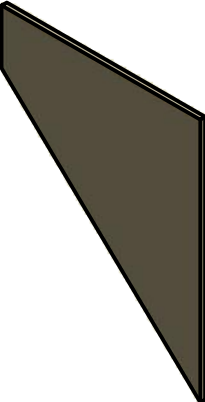
4300531 (1) STAINLESS STEEL C/S DOOR POST



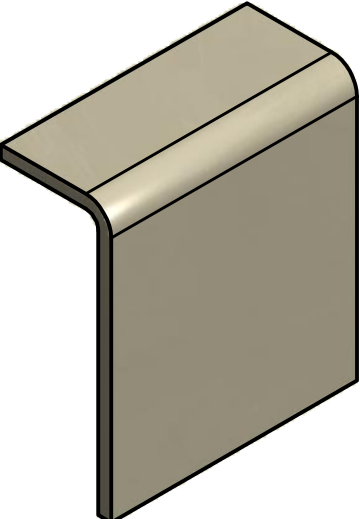
4300199 (1) DOOE HEADER BASE PLATE



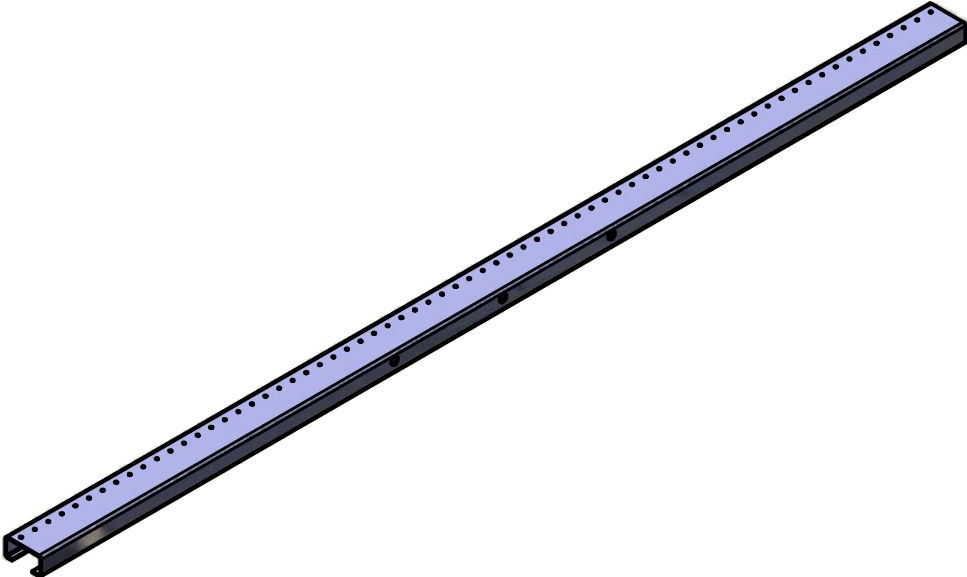
4300207 (8) DOOR SILL GUSSET



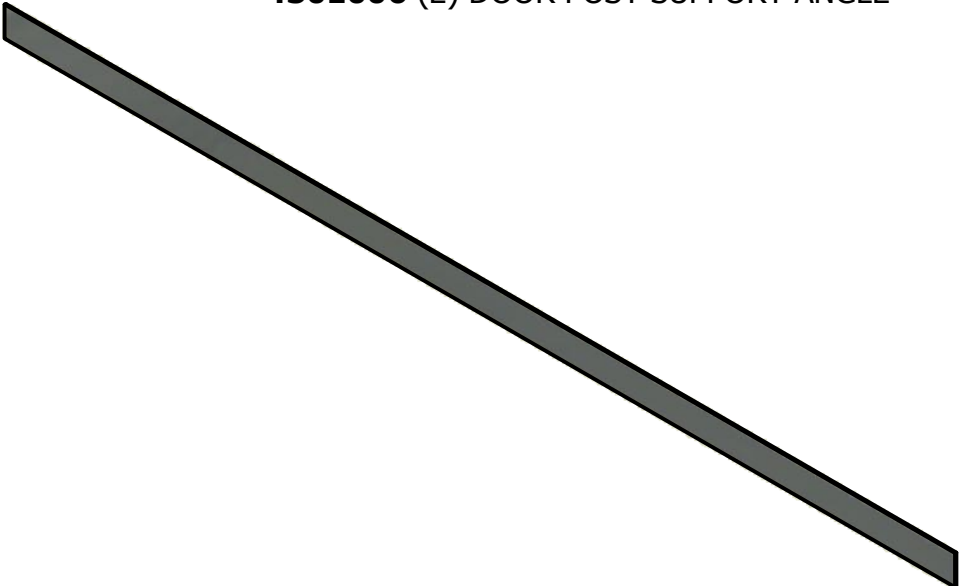
4300214 (2) TOP CORNER SUPPORT



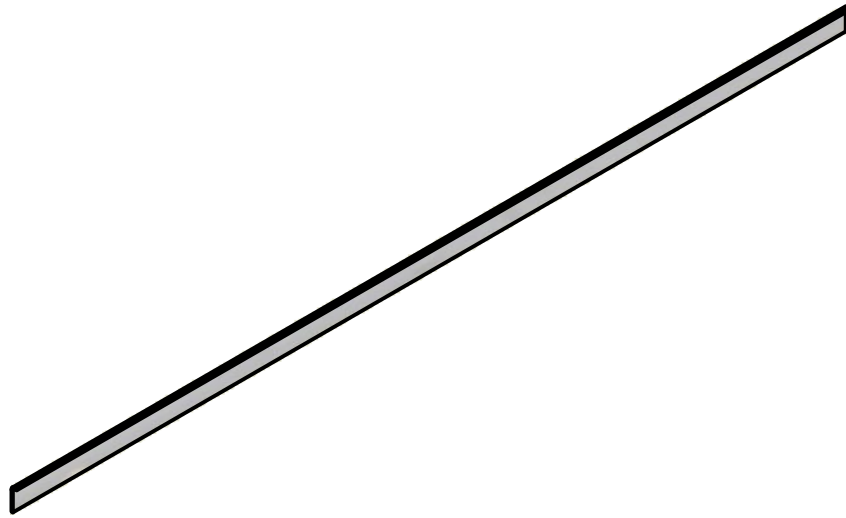
4301005 (1) STAINLESS STEEL DOOR HEADER



4301006 (2) DOOR POST SUPPORT ANGLE



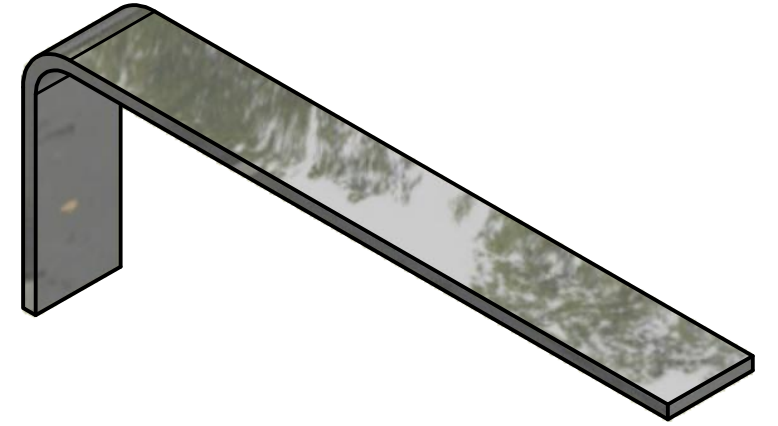
4300233 (1) HEADER PROTECTOR



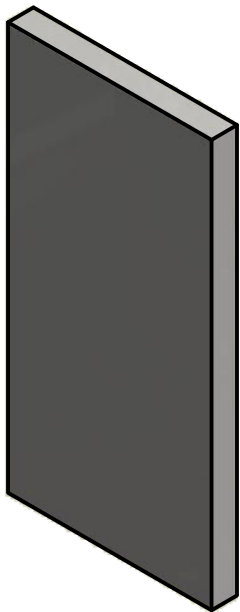
4300235 (2) HINGE PROTECTOR GUSSET



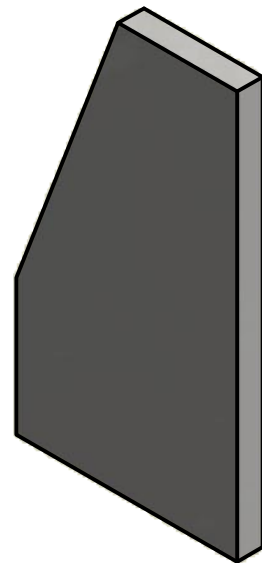
4300236 (2) STAINLESS STEEL TAIL LIGHT GUARD



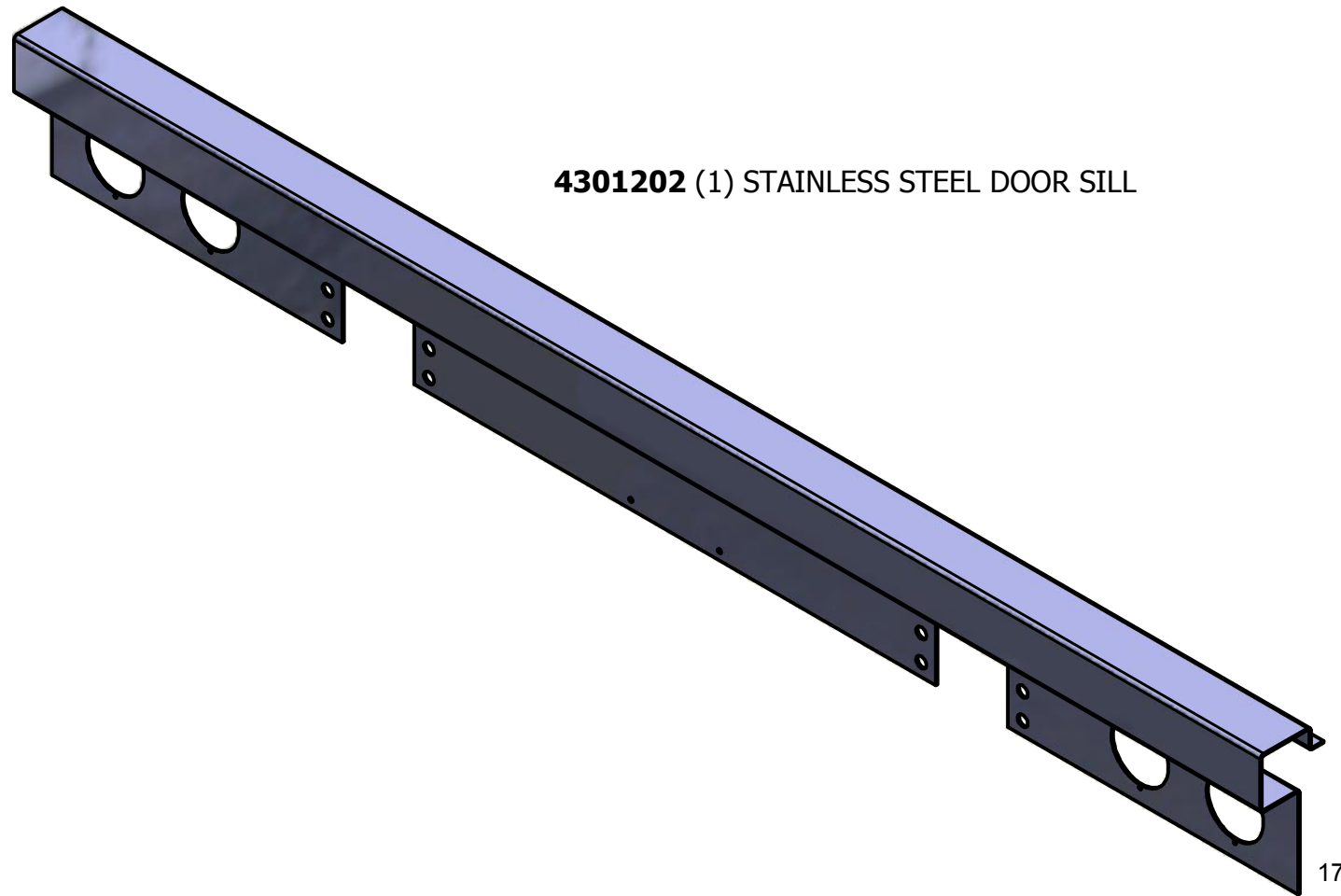
4301007 (2) DOOR POST STOP PLATE

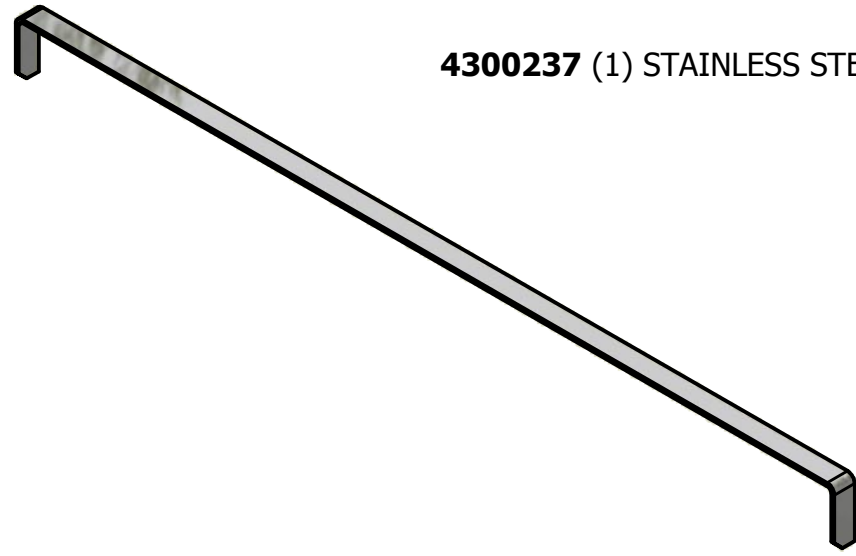


4301008 (2) DOOR POST COVER PLATE



4301202 (1) STAINLESS STEEL DOOR SILL



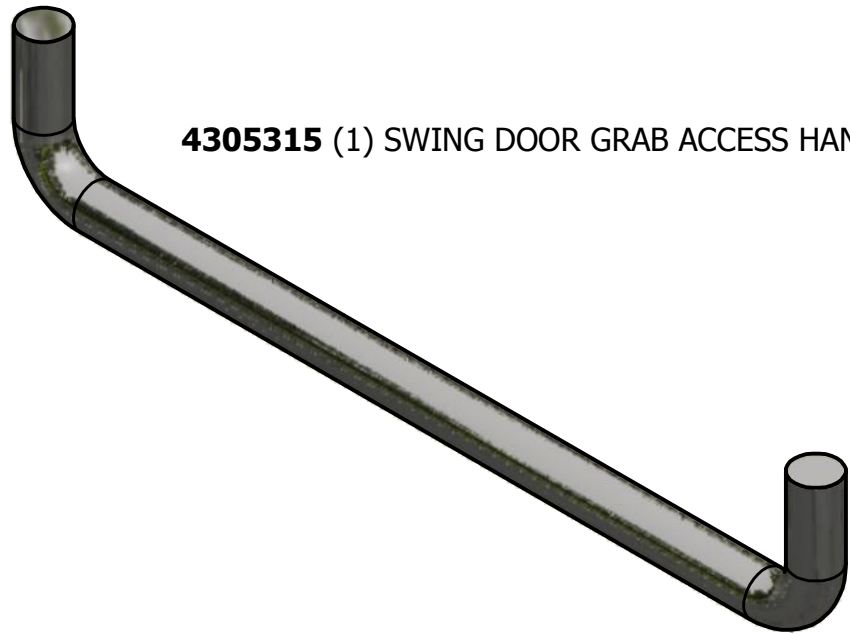


4300237 (1) STAINLESS STEEL READ SILL GUARD

4300294 (2) DOOR SUPPORT ANGLE

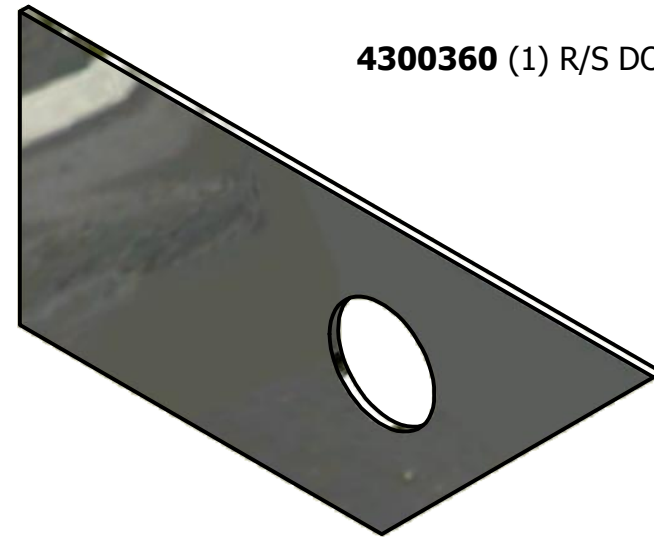


4300295 (2) HEADER GUSSET W/ HOLE

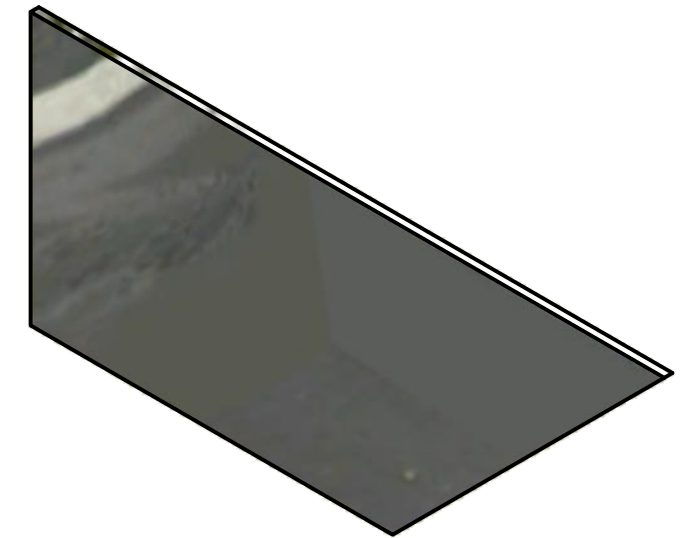


4305315 (1) SWING DOOR GRAB ACCESS HANDLE

4300360 (1) R/S DOOR POST GUSSET



4300361 (1) C/S DOOR POST GUSSET



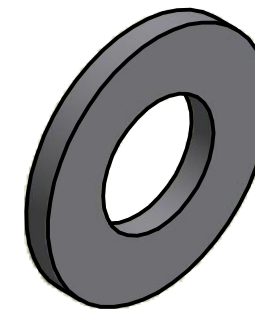
6000376 (4) 3/8"-16 x 1" GRADE 9 PLATED BOLT



6100377 (4) 3/8"-16 NYLOK PLATED NUT



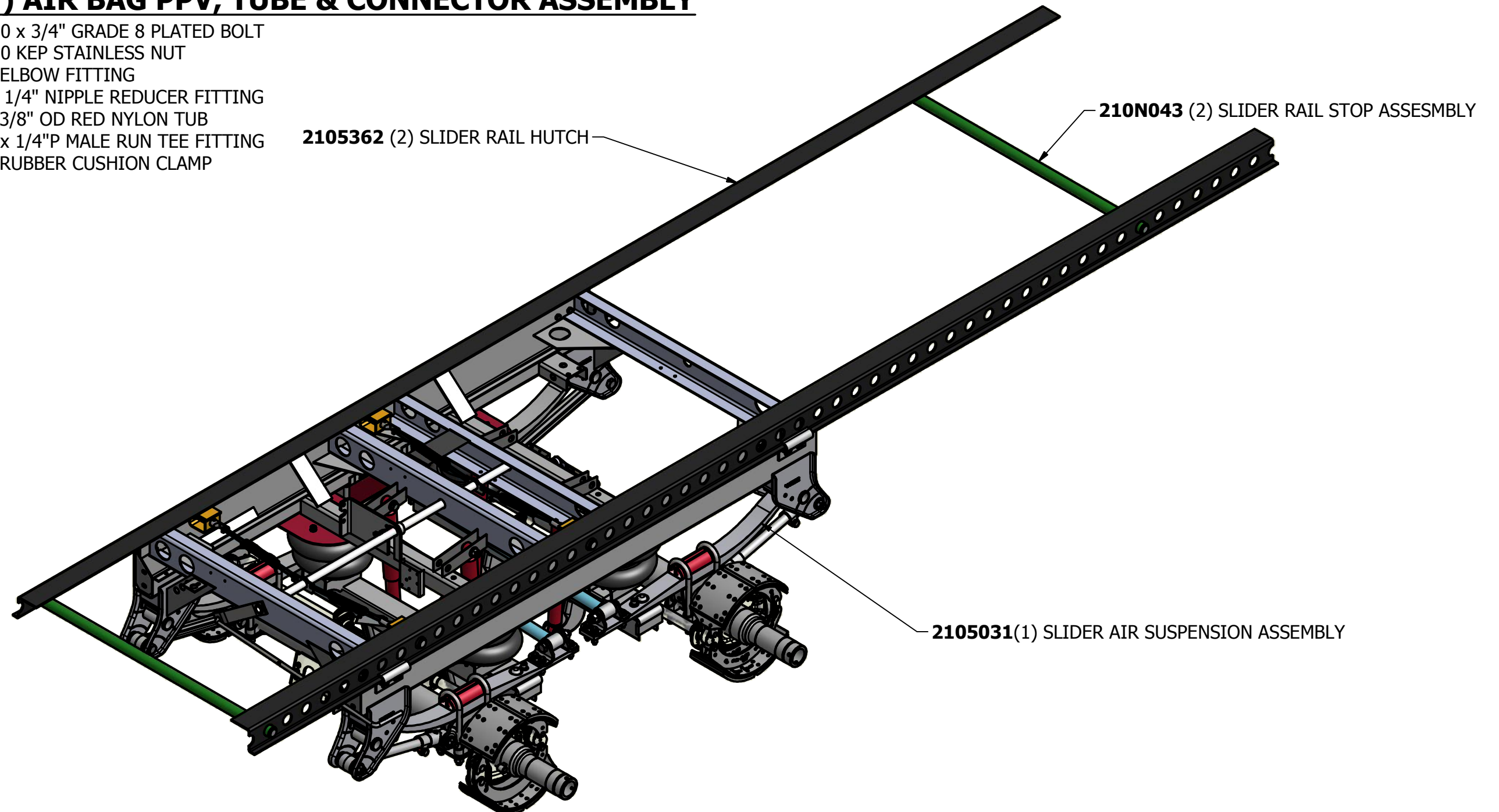
6200378 (8) 3/8" FLAT SAE PLATED WASHER



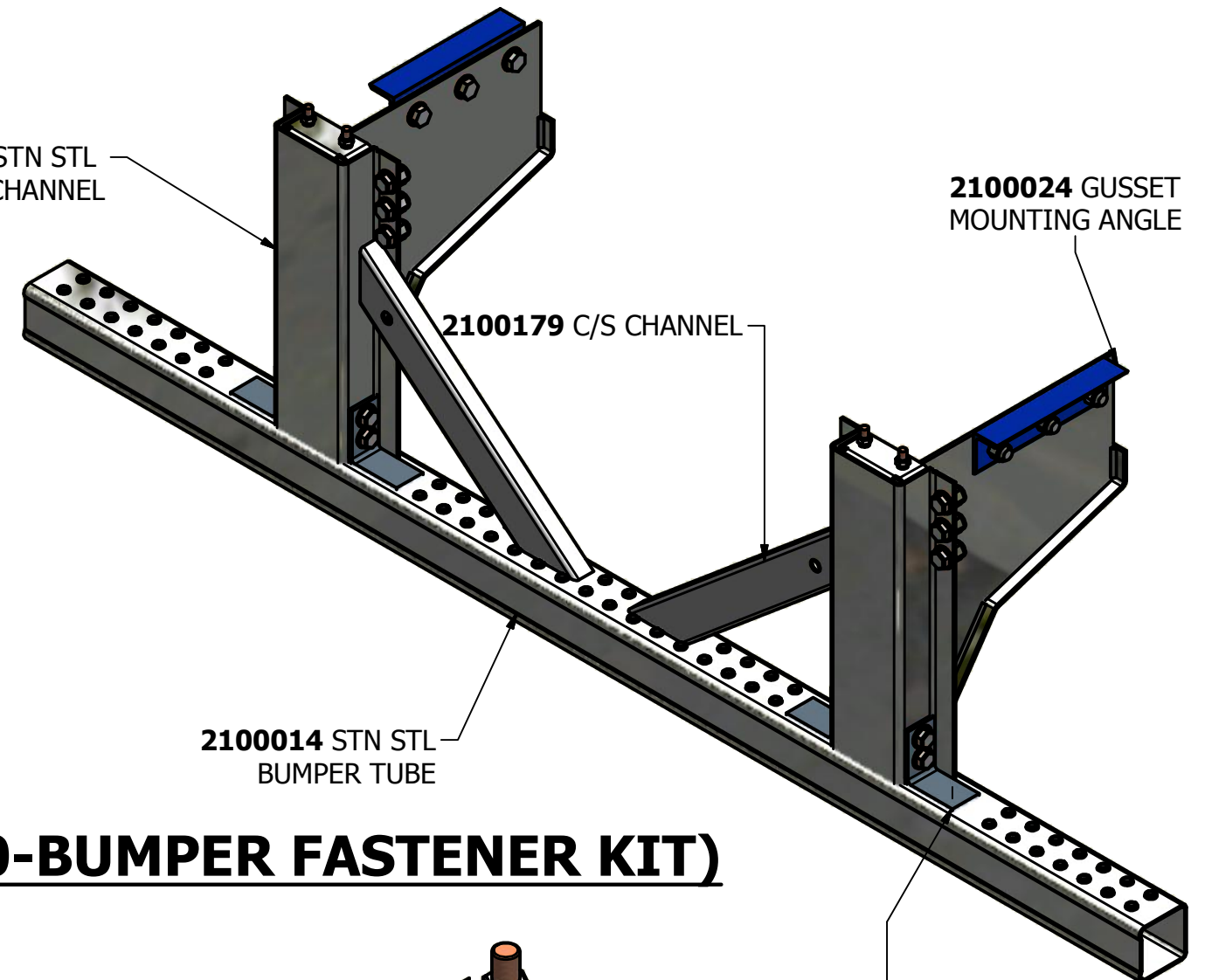
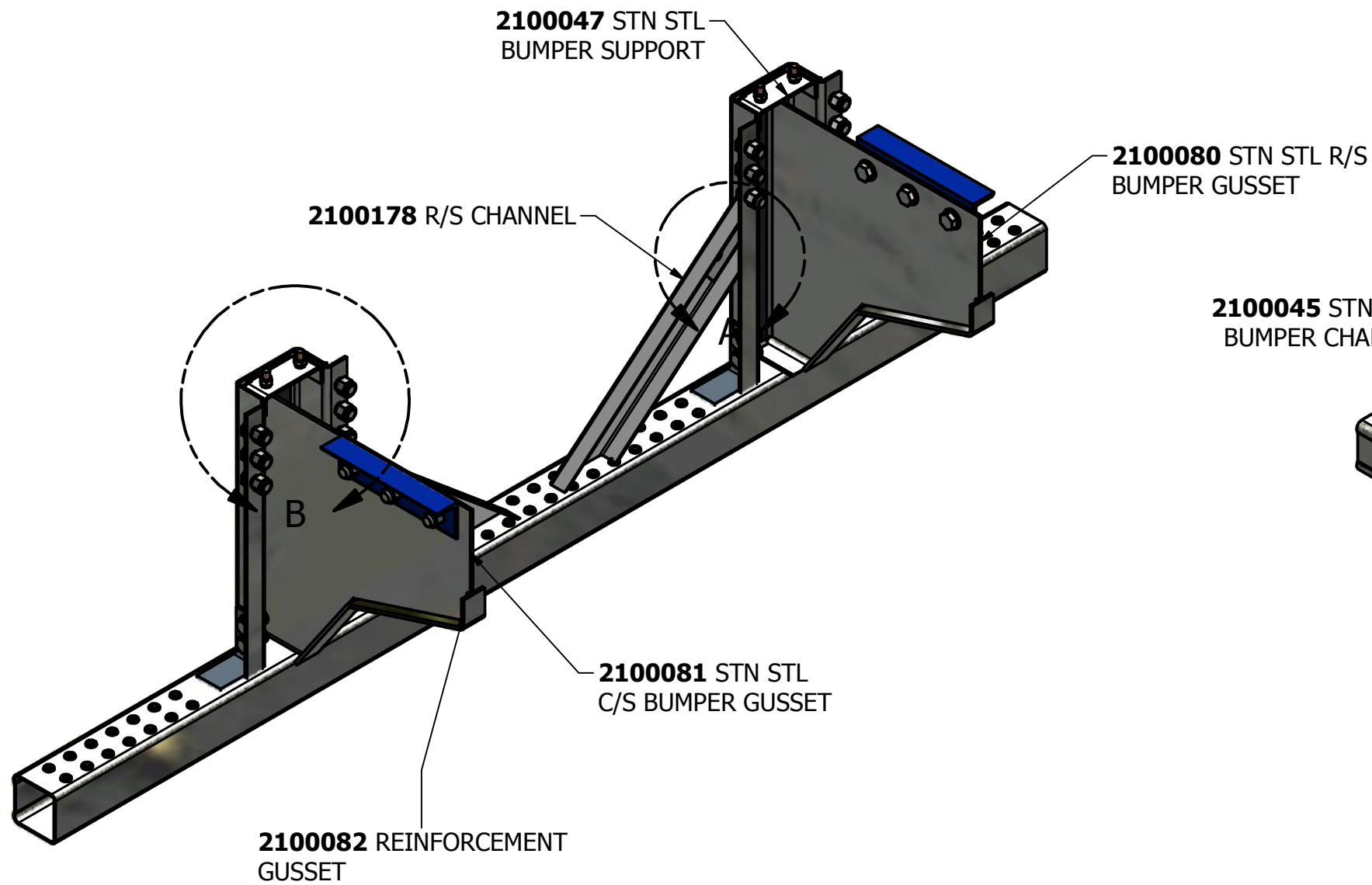
230M050 AIR SUSPENSION ASSEMBLY

230N029 (1) AIR BAG PPV, TUBE & CONNECTOR ASSEMBLY

- 6000275** (4) 1/4"-20 x 3/4" GRADE 8 PLATED BOLT
- 6100256** (4) 1/4"-20 KEP STAINLESS NUT
- 7000145** (2) MALE ELBOW FITTING
- 7000198** (1) 3/8" x 1/4" NIPPLE REDUCER FITTING
- 7000966** (11.5 LF) 3/8" OD RED NYLON TUB
- 7045017** (2) 3/8" T x 1/4" P MALE RUN TEE FITTING
- 8000268** (5) 7/16" RUBBER CUSHION CLAMP

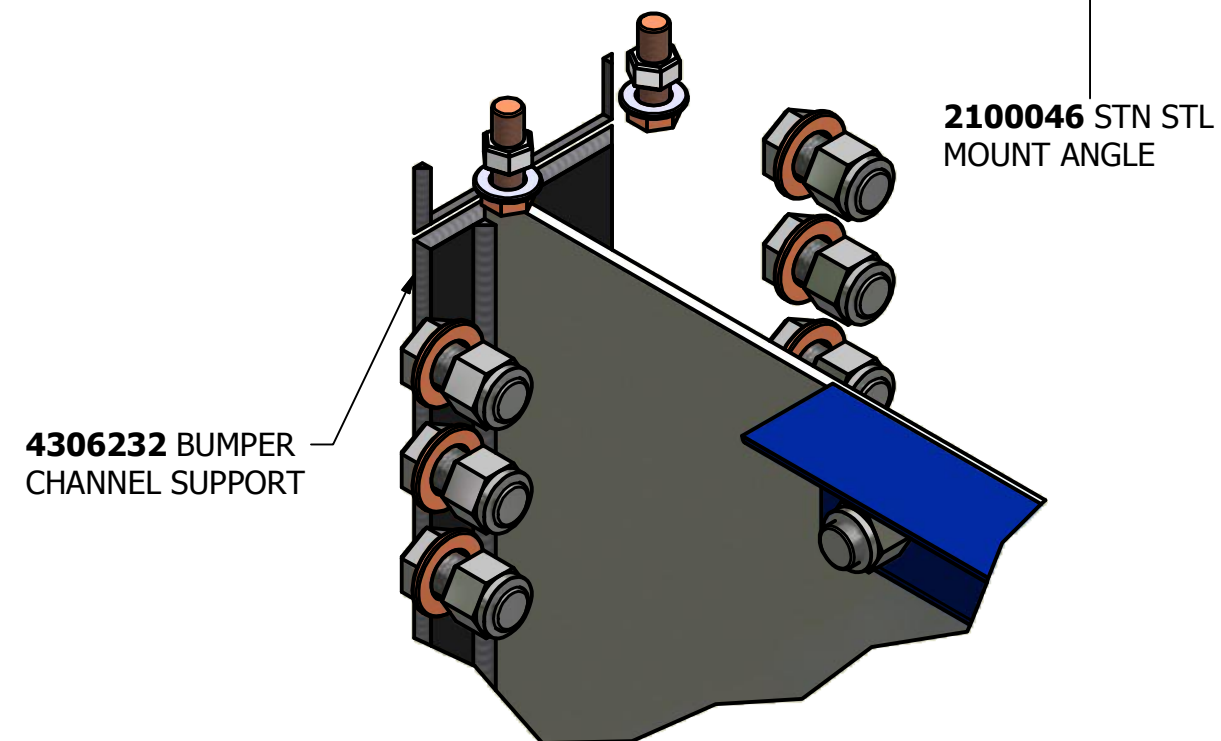
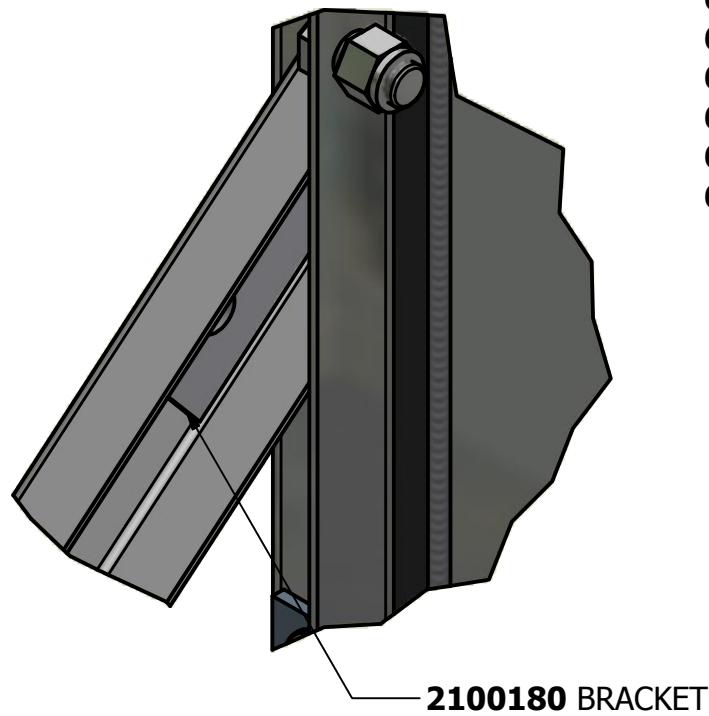


STAINLESS STEEL M-STYLE BUMPER ASSEMBLY-210N109

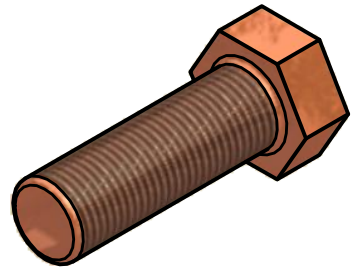


210N109 FASTENERS (6509000-BUMPER FASTENER KIT)

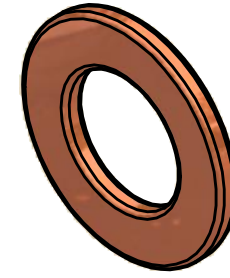
- 6000501 (4) 1/2"-20 x 1 1/2" GRADE 8 ZINC BOLT
- 6000750 (14) 3/4"-16 x 2" GRADE 5 BOLT
- 6000751 (12) 3/4"-16 x 1/2" GRADE 5 BOLT
- 6100501 (4) 1/2"-20 LOCK GRADE 5 PLATED NUT
- 6100751 (26) 3/4"-16 GRADE 5 NUT
- 6200503 (4) 1/2" FLAT USS PLATED WASHER
- 6200751 (26) 3/5" ALLOY WASHER



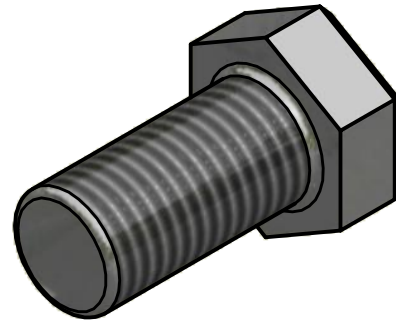
210N109 FASTENERS (6509000-BUMPER FASTENER KIT)



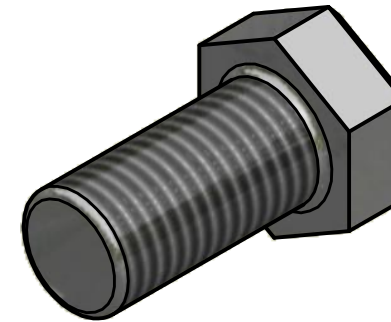
6000501 (4) 1/2"-20 x 1 1/2" GRADE 8 ZINC BOLT



6200751 (26) 3/5" ALLOY WASHER



6000751 (12) 3/4"-16 x 1/2" GRADE 5 BOLT



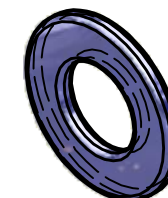
6000750 (14) 3/4"-16 x 2" GRADE 5 BOLT



6100501 (4) 1/2"-20 LOCK GRADE 5 PLATED NUT

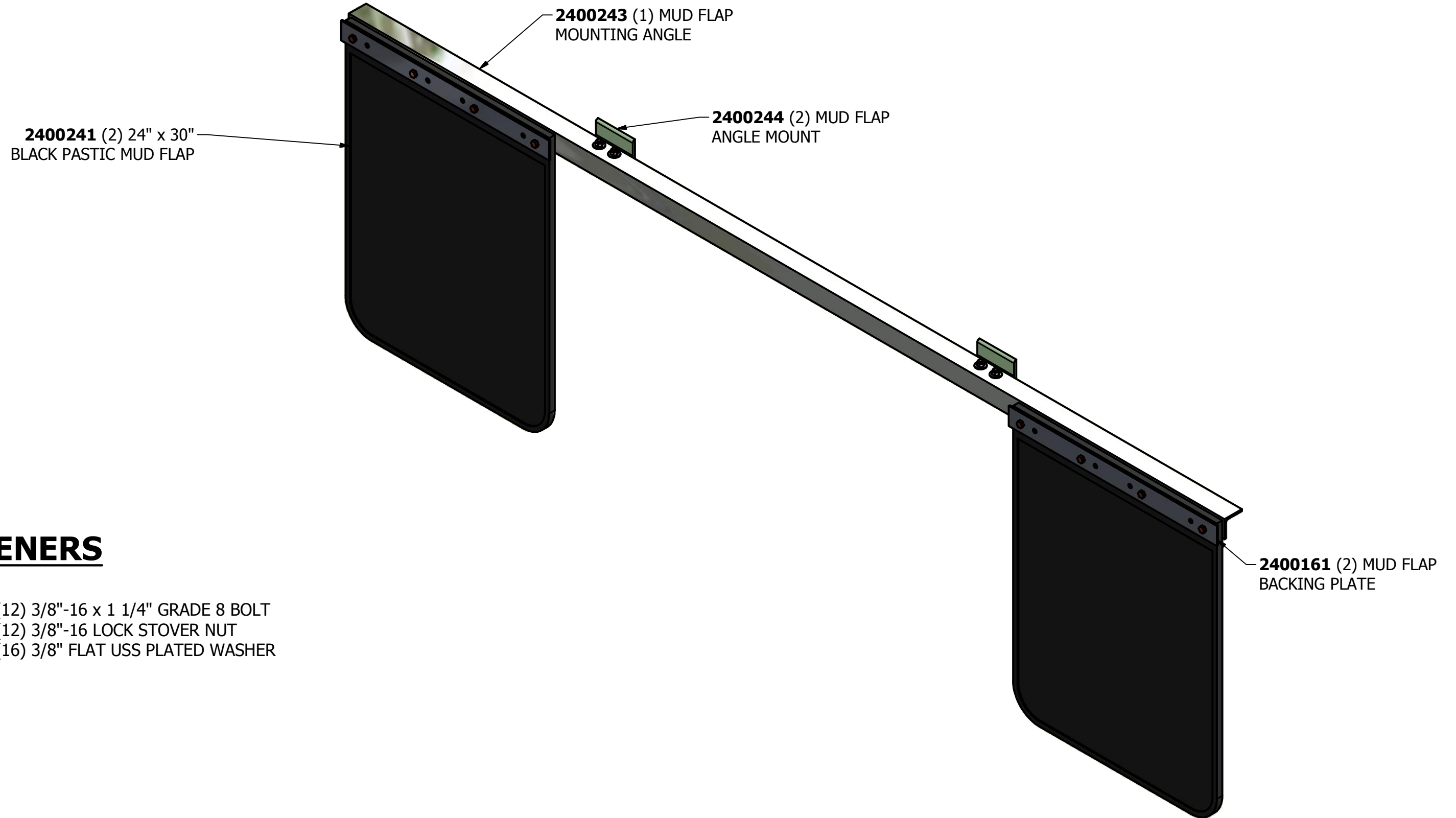


6100751 (26) 3/4"-16 GRADE 5 NUT



6200503 (4) 1/2" FLAT USS PLATED WASHER

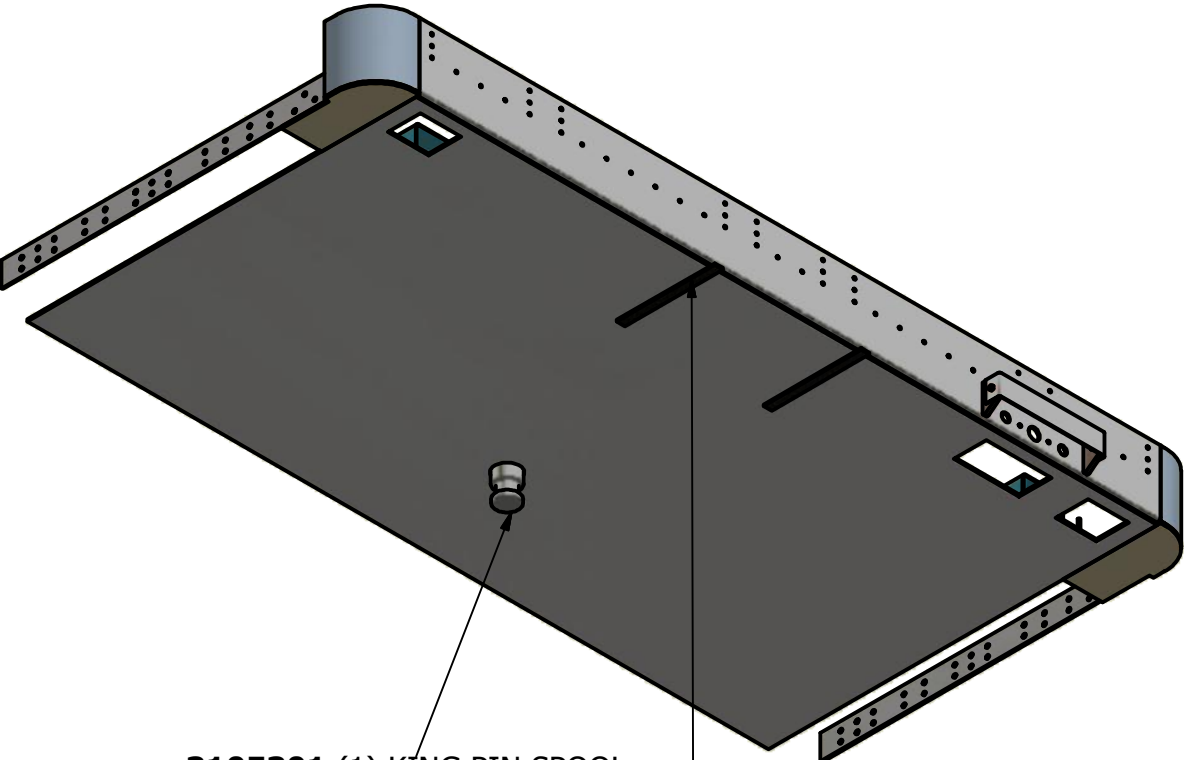
240N219 MUD FLAP ASSEMBLY



FASTENERS

- 6000375** (12) 3/8"-16 x 1 1/4" GRADE 8 BOLT
- 6100382** (12) 3/8"-16 LOCK STOVER NUT
- 6200376** (16) 3/8" FLAT USS PLATED WASHER

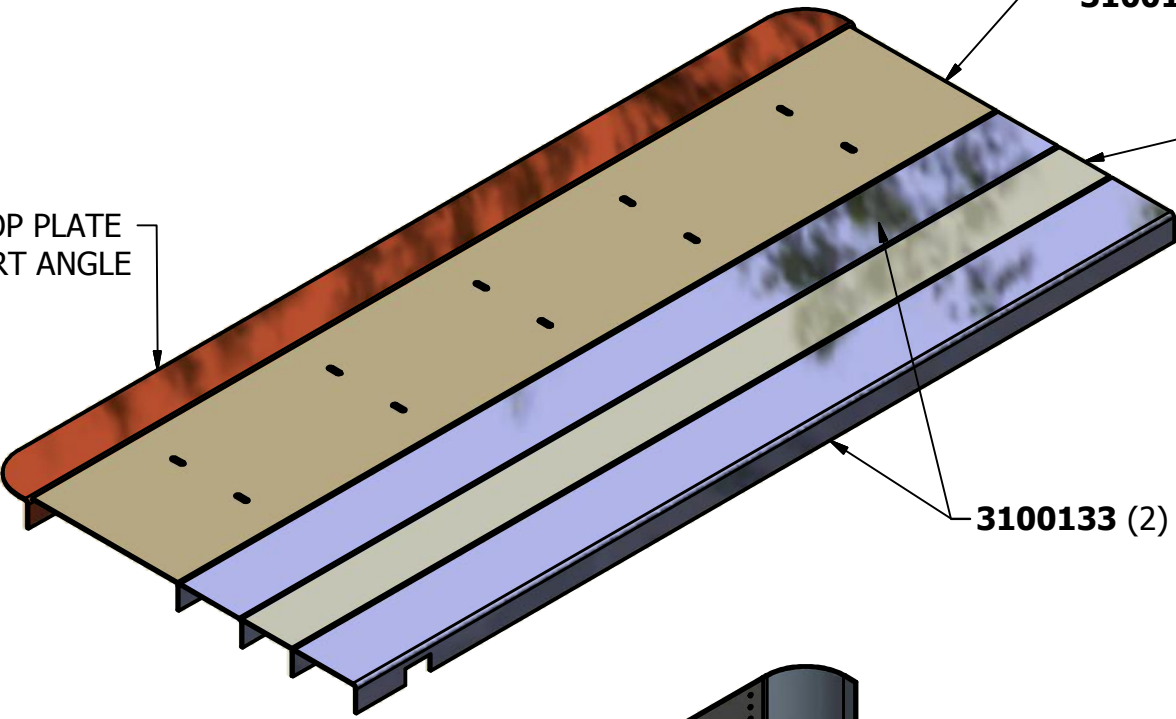
310M018 UPPER COUPLER ASSEMBLY



3105301 (1) KING PIN SPOOL

3100155 (2) FLAT SKID ROD

3100136 (1) TOP PLATE
FRONT SUPPORT ANGLE



3100139 (1) FRONT COVER PLATE

3100138 (1) COVER PLATE

3100133 (2) KING PIN CHANNEL

3100137 (2) CORNER SUPPORT PLATE

3100156 (2) FRONT ANGLE GUSSET

3100135 (1) FRONT PLATE

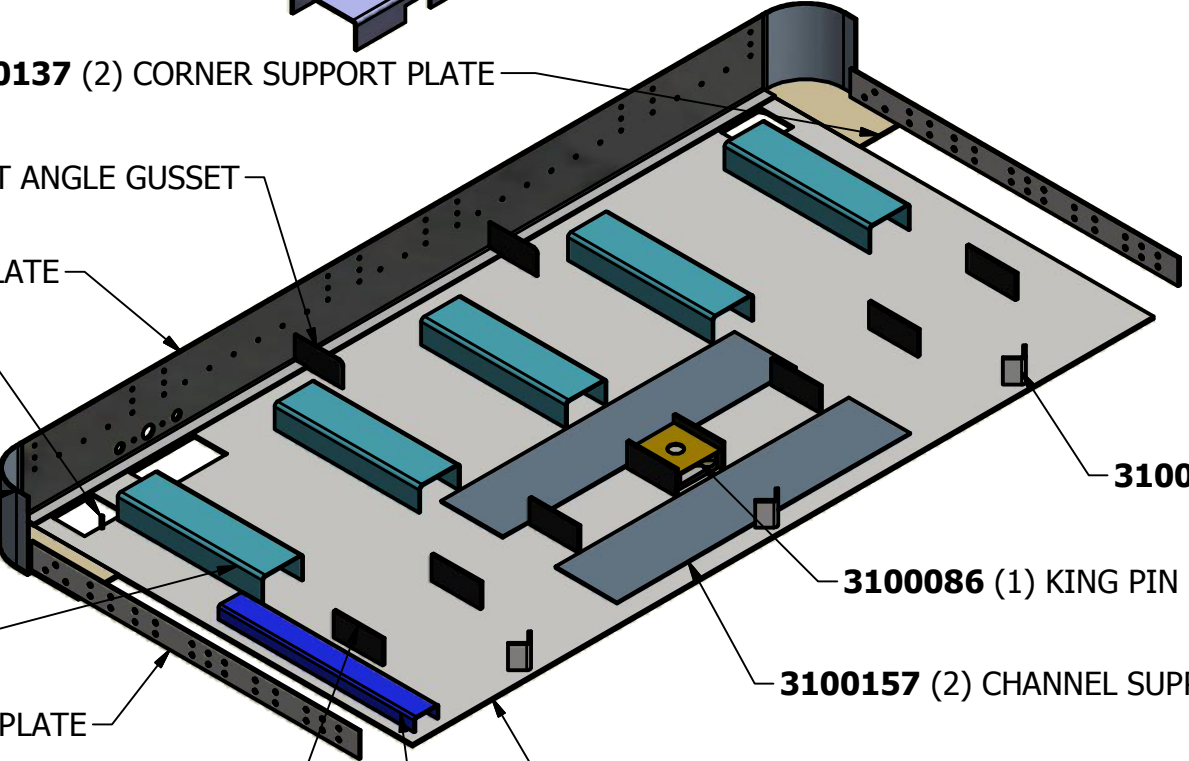
3100158 (1) ELECTRICAL
WIRE PROTECTOR

3100154 (2) CORNER
RADIUS PLATE

3100005 (5) FRONT SUPORT CHANNEL

31000148 (2) SIDE PLATE

3100087 (8) CHANNEL GUSSET



3100149 (3) SUPPORT ANGLE

3100086 (1) KING PIN CAP

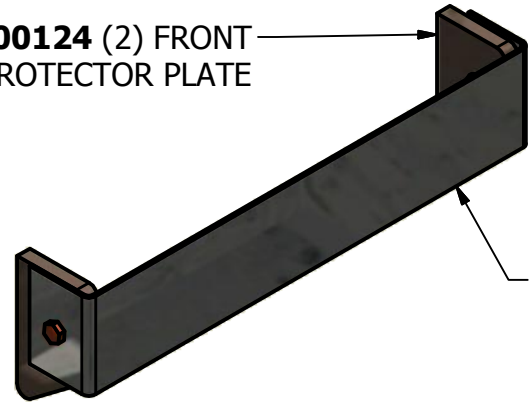
3100157 (2) CHANNEL SUPPORT

3100200 (1) BOTTOM PLATE

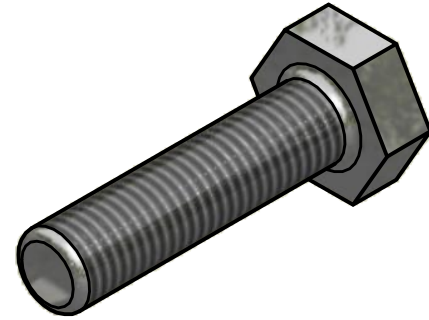
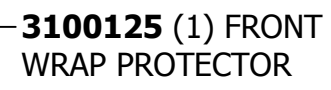
3100063 (1) AIR & ELECTRICAL
CHANNEL

310N013

3100124 (2) FRONT
PROTECTOR PLATE



3100125 (1) FRONT
WRAP PROTECTOR

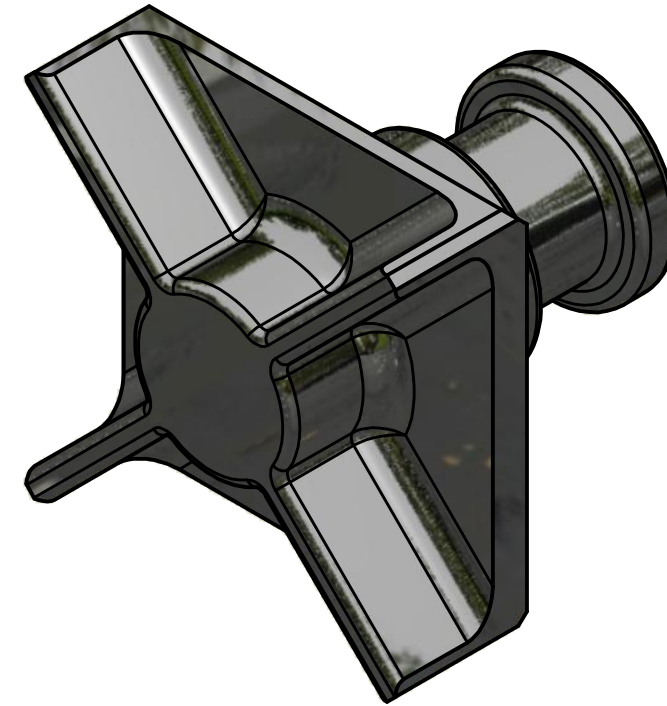


6000252 (2) 1/4"-28 x 1" GRADE 8 PLATED BOLT



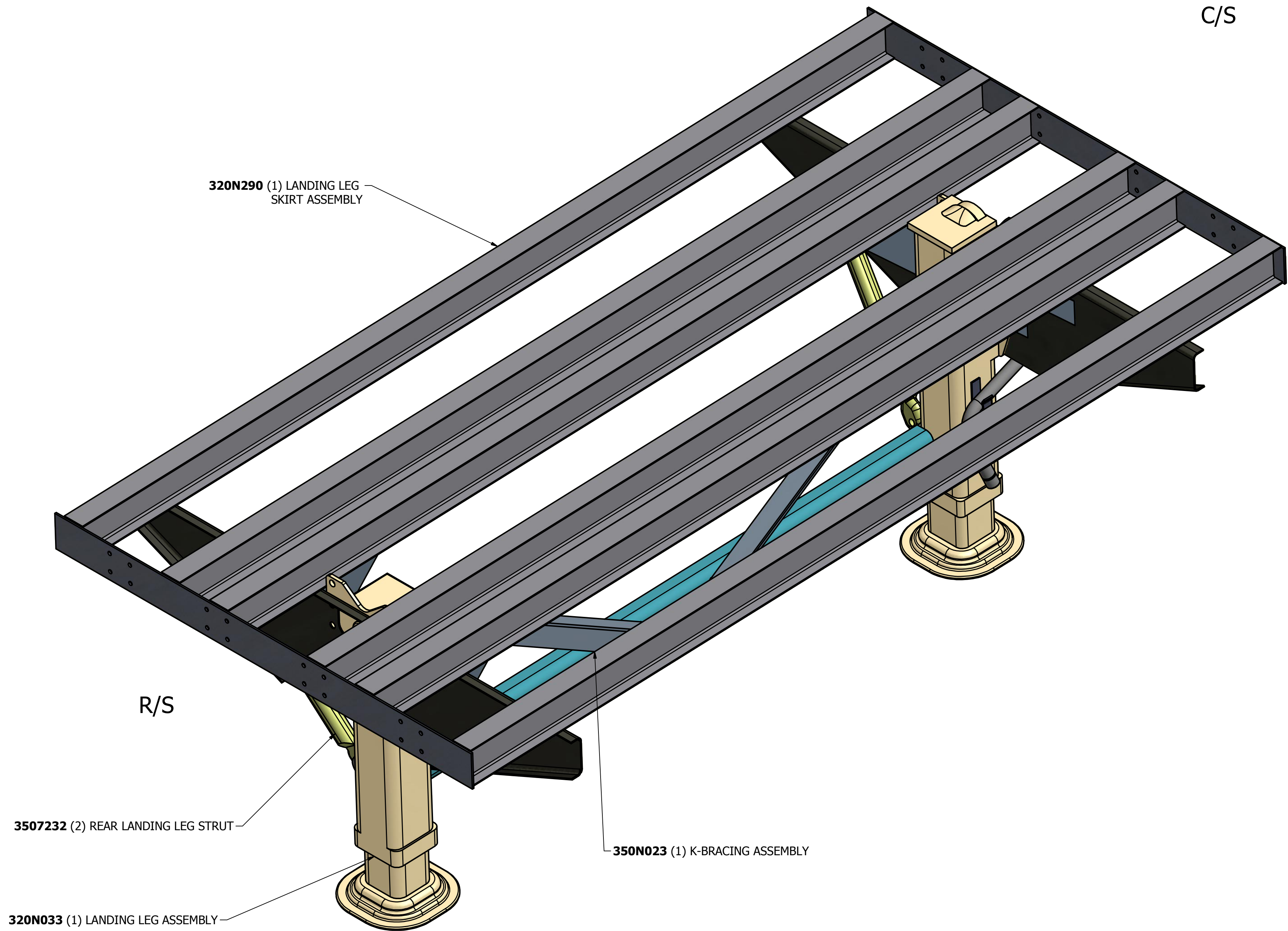
6100251 (2) 1/4"-28 LOCK PLATED NUT

3105301 (1) KING PIN SPOOL

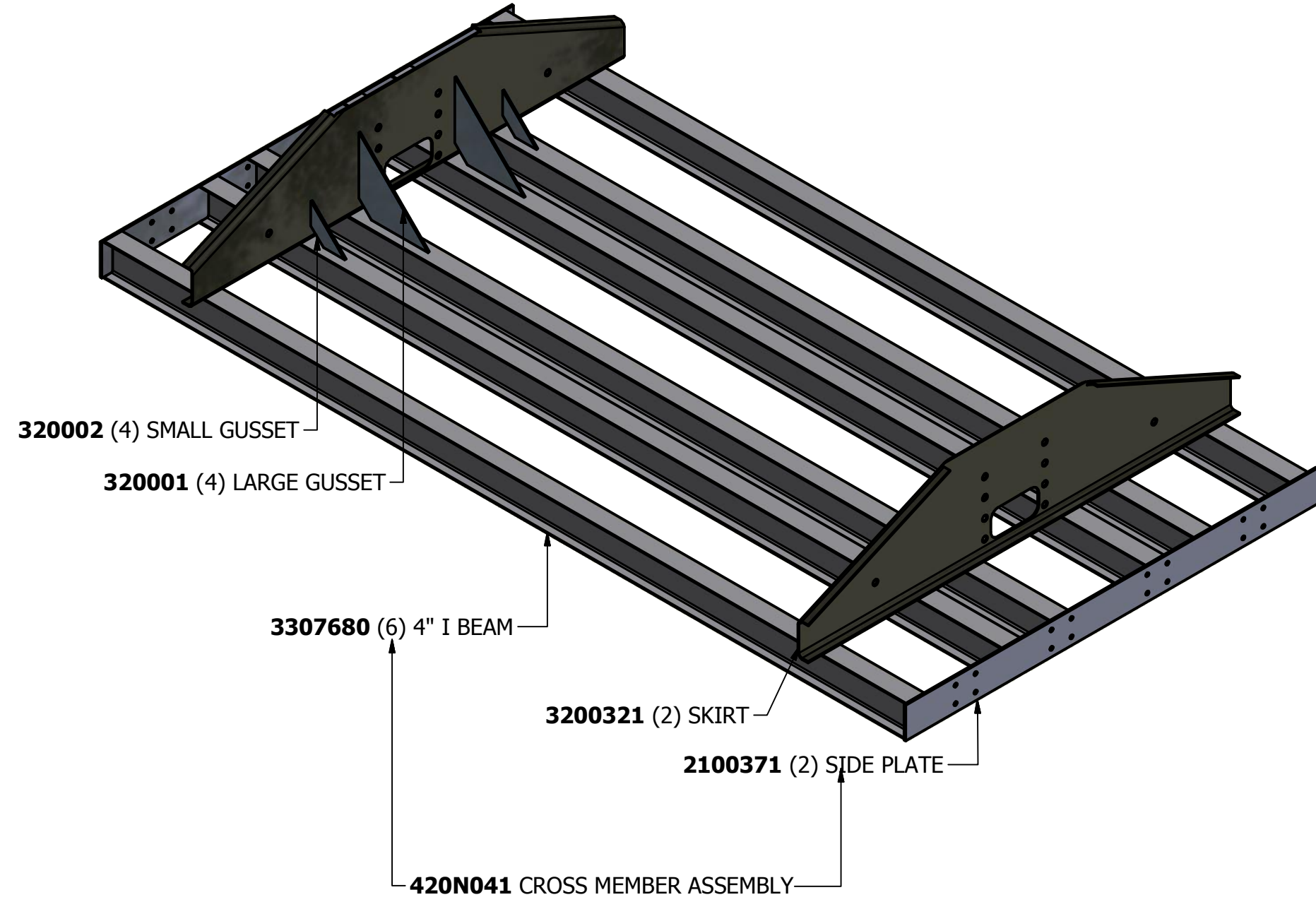


320TB06 LANDING LEG ASSEMBLY

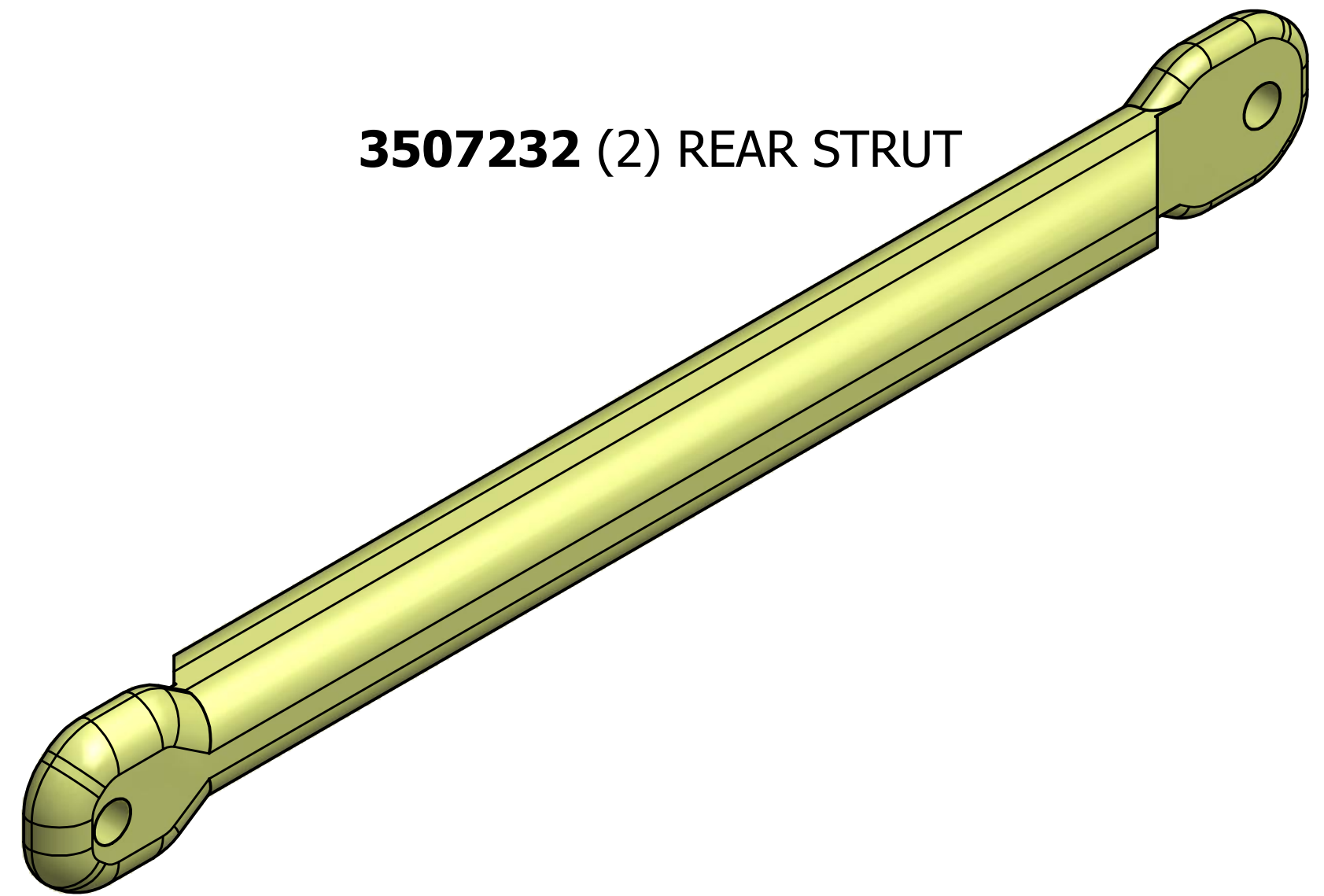
C/S



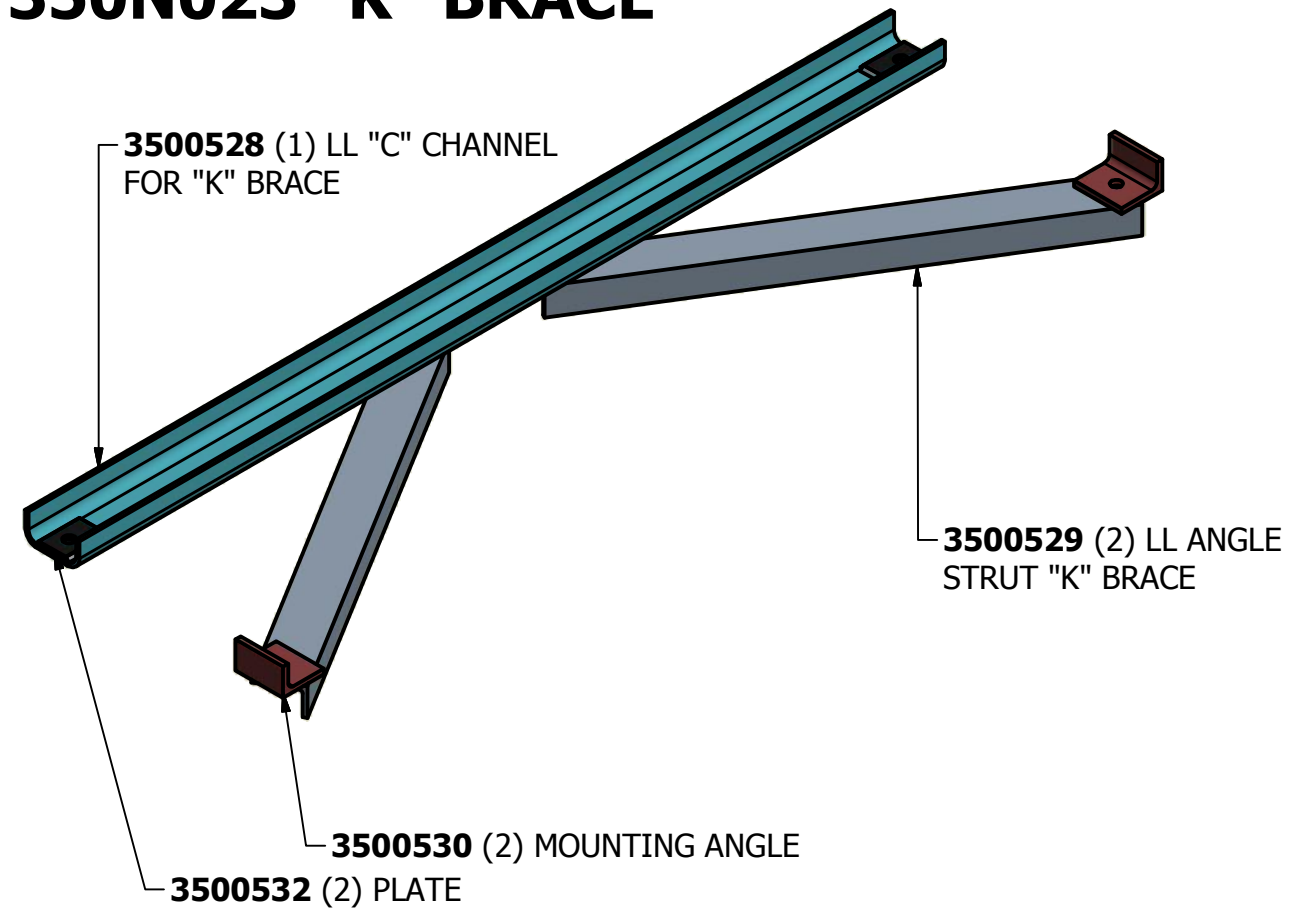
320N290 LANDING LEG SKIRT ASSEMBLY



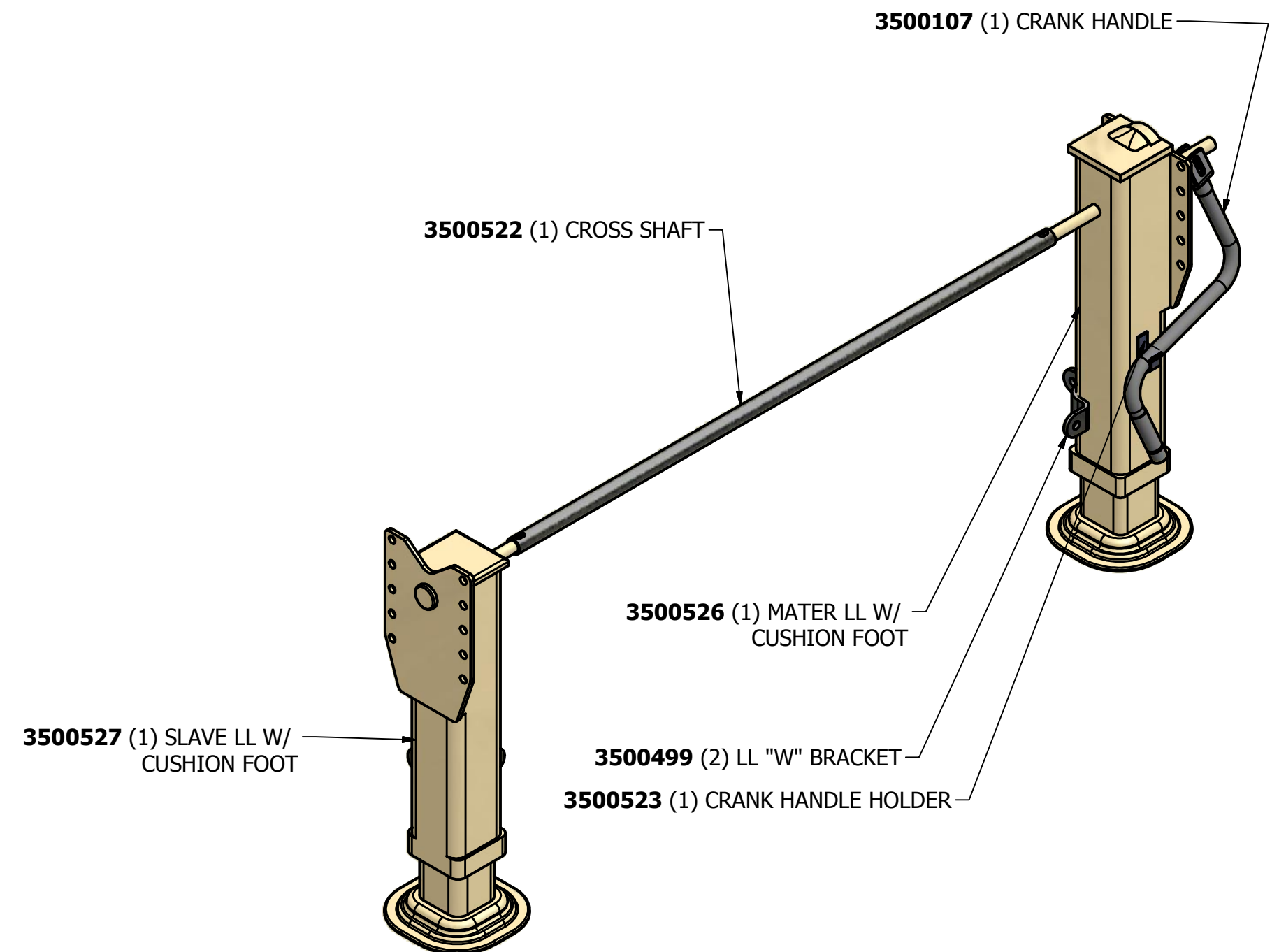
3507232 (2) REAR STRUT



350N023 "K" BRACE

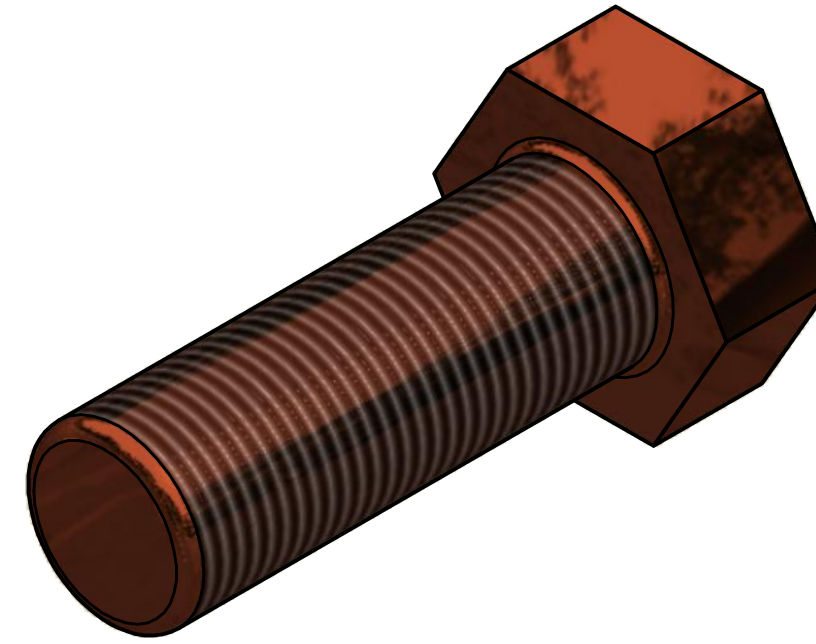


3500107 (1) CRANK HANDLE

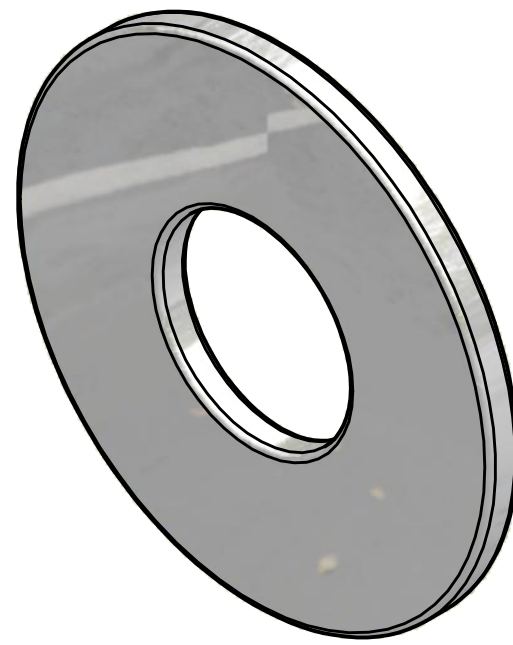


320N033 LL ASSEMBLY

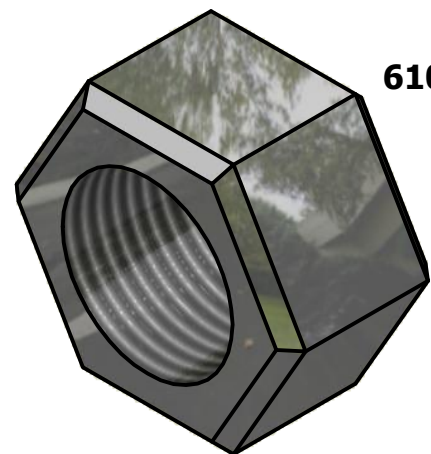
320N033 LL KIT PACK AY.



6000627 (24) 5/8"-18 x 1 3/4" BOLT

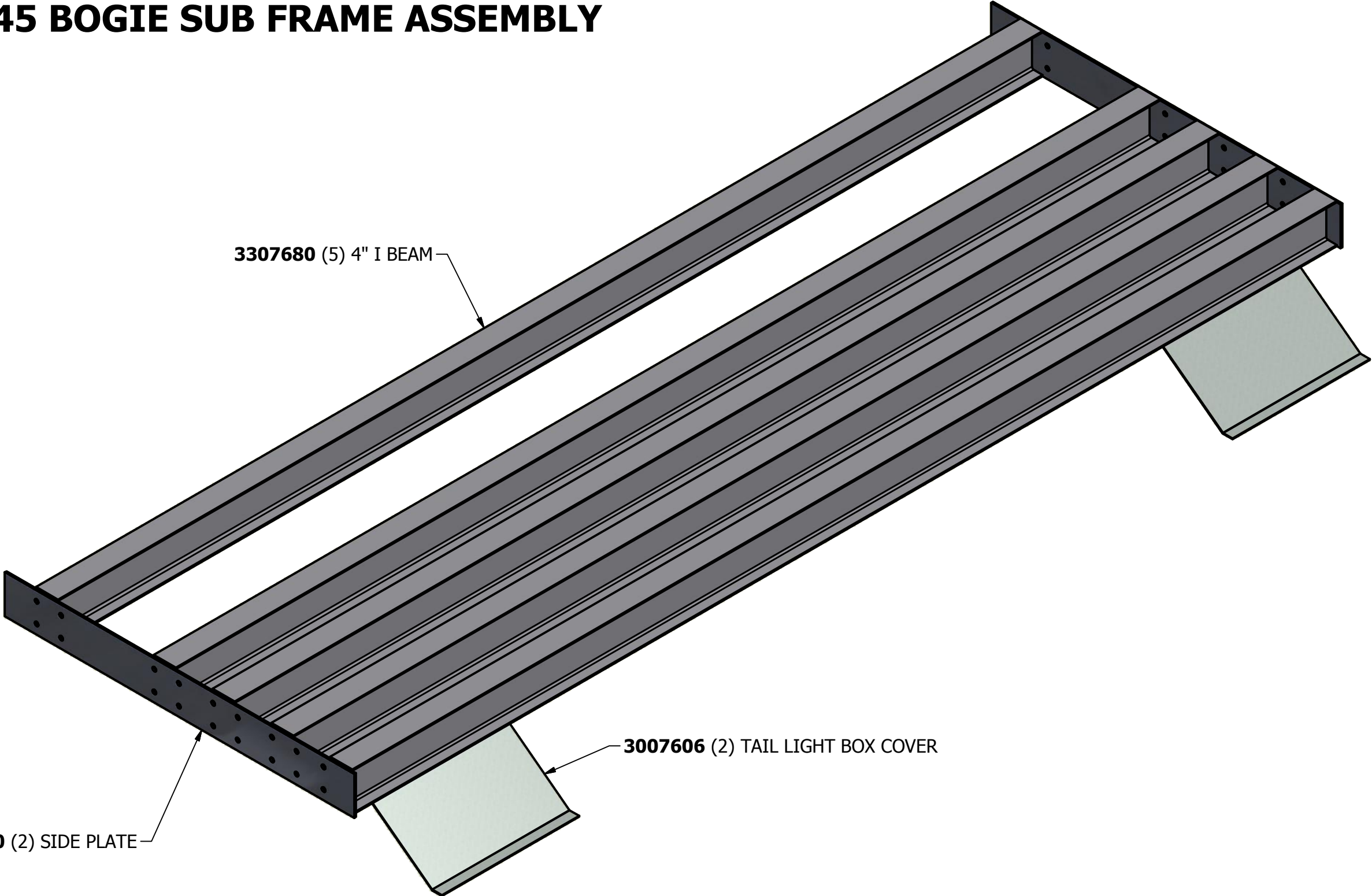


6200626 (24) 5/8" FLATT USS PLATED WASHER



6100626 (24) 5/8"-18 PINCH LOCK GRADE 5 NUT

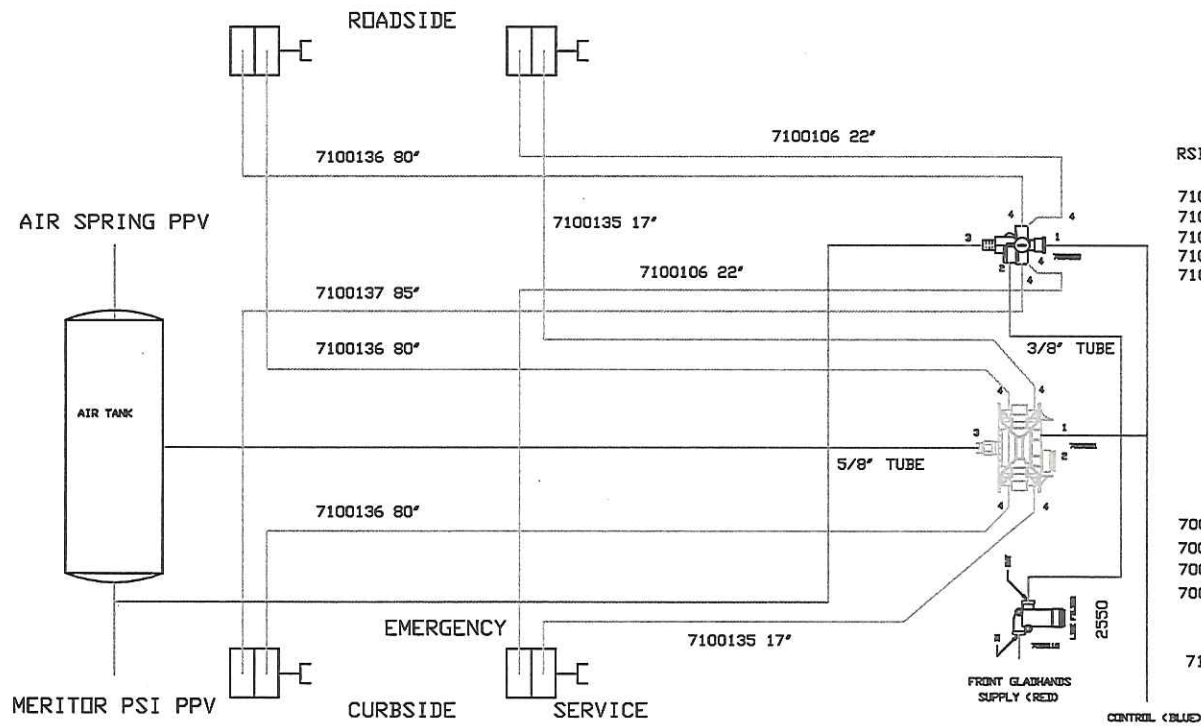
330M045 BOGIE SUB FRAME ASSEMBLY



3307680 (5) 4" I BEAM

3007606 (2) TAIL LIGHT BOX COVER

2100370 (2) SIDE PLATE



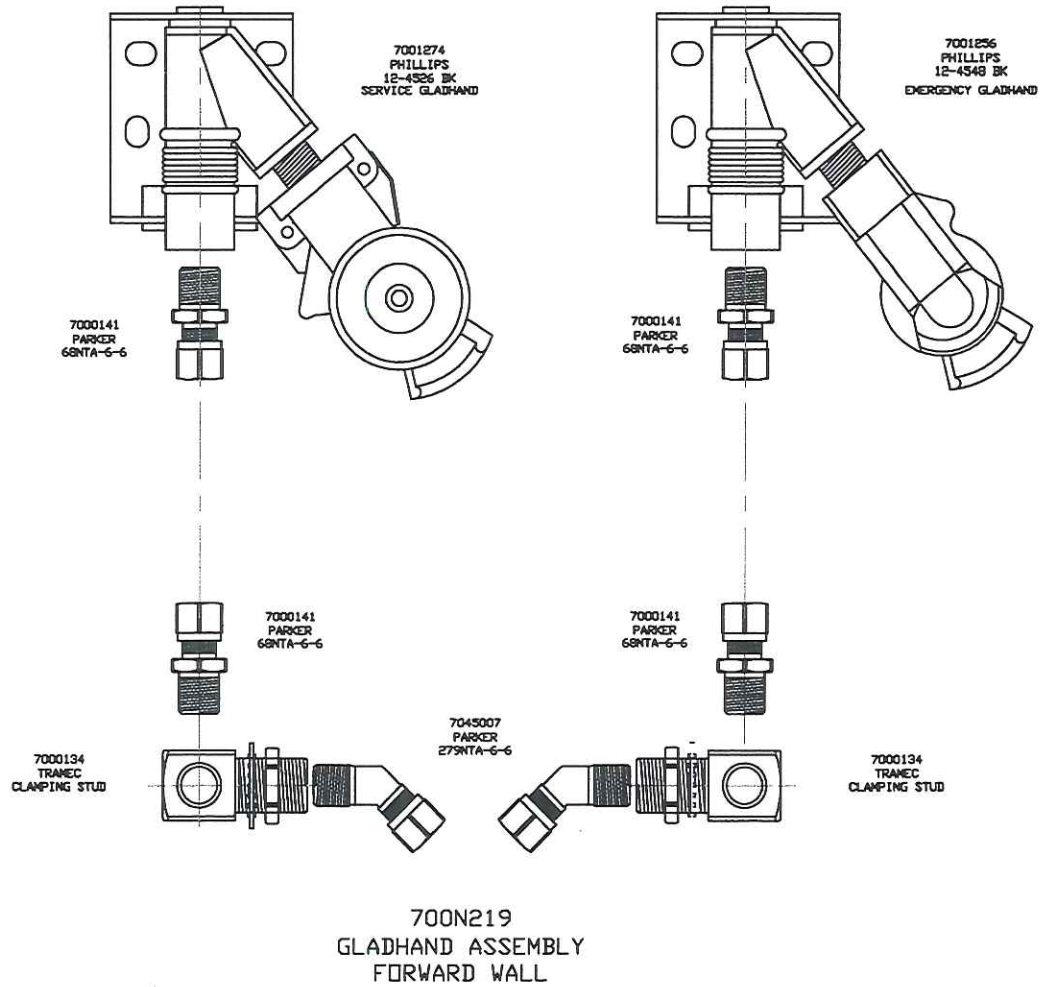
RSI #	SIZE	HOSE	SWIVEL	MALE	ADAPTOR	JOINCE
		7000210	7000212	7000215	7000214	7000213
7100106	22' HOSE ASSEMBLY	1.83'	1	1	0	0
7100135	17' HOSE ASSEMBLY	1.416'	1	1	0	0
7100136	80' HOSE ASSEMBLY	6.66'	1	1	0	0
7100137	85' HOSE ASSEMBLY	7.03'	1	1	0	0
7100174	114' HOSE ASSEMBLY	9.5'	0	1	1	1

- 7000212 5/8" NYLON TUBE PARKER PFT-1120-10B- BLACK
- 7000966 3/8" NYLON TUBE PARKER PFT-6B-RED
- 7000968 1/2" NYLON TUBE PARKER PFT-8B-BLACK
- 7000971 3/8" NYLON TUBE PARKER PFT-6B-BLUE

7100114 SLIDER HOSE ASSEMBLY 114' (2)

700N245
700N245 AIR BRAKE HOSE ASSEMBLIES

MERITOR / WABCO ABS
4-24-2013

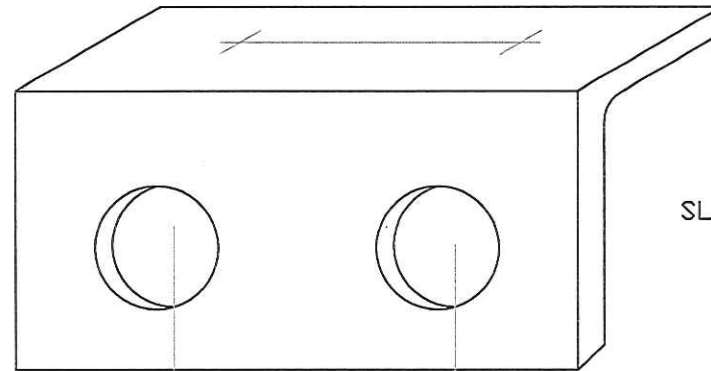


OPTIONAL FASTENERS

6000310 BOLT, 5/16"-18x1"

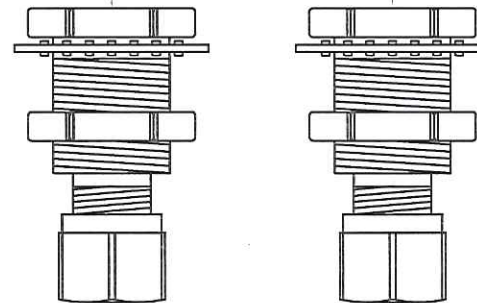
6100316 NYLOK NUT, 5/16"-18

6200312 FLAT WASHER 5/16"



2104521 (1)
SLIDER HOSE ANGLE

7045035 (2)
PARKER
66NTA-6-6



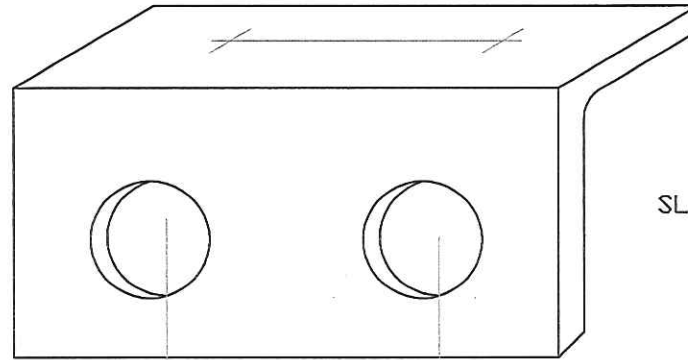
210N108
SLIDER HOSE HANGER ASSEMBLY

OPTIONAL FASTENERS

6000310 BOLT, 5/16"-18x1"

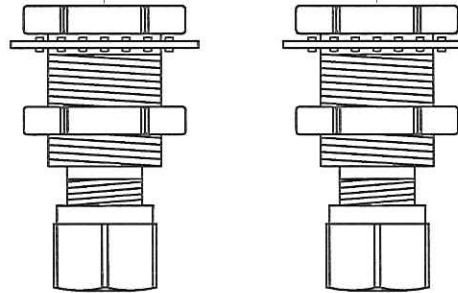
6100316 NYLOK NUT, 5/16"-18

6200312 FLAT WASHER 5/16"

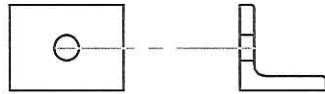


2104521 (1)
SLIDER HOSE ANGLE

7045035 (2)
PARKER
66NTA-6-6



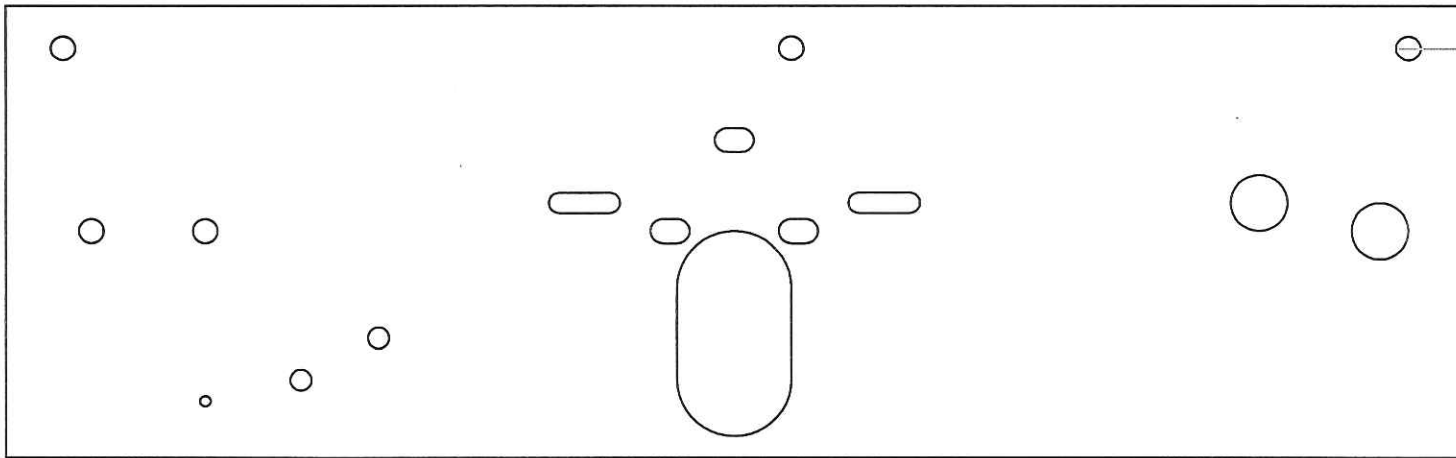
700N239
BOGIE HOSE HANGER ASSEMBLY



MOUNTING ANGLE (3)
1004201

6000375
BOLT 3/8"-16 x 1 1/4"

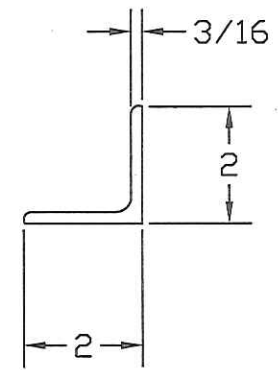
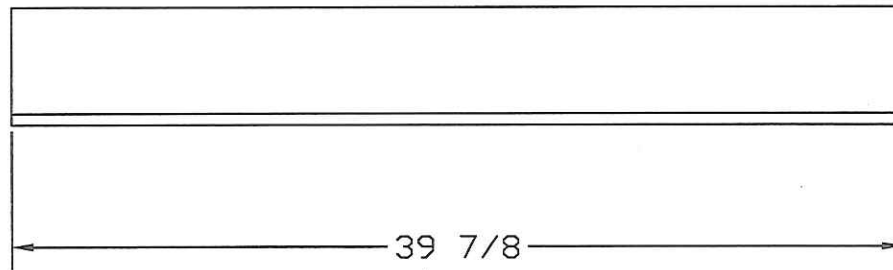
6100377
NYLON NUT (3)



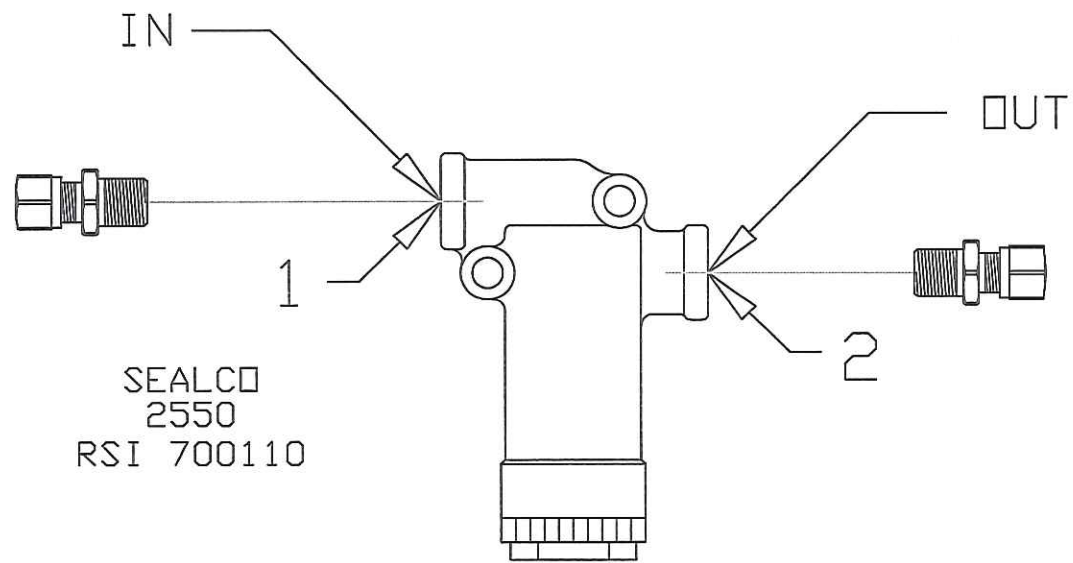
6200378
FLAT WASHER (3)

AIR BRAKE VALVE MOUNTING PLATE
7000046

AIR BRAKE VALVE MOUNTING PLATE ASSEMBLY
700N068



2104555
ANGLE, AIR PLATE MOUNTING



LINE FILTER

FITTINGS

1. INLET PORT (1)-3/8 N. P. T.
7000141 PARKER 68NTA-6-6
2. OUTLET PORT (1)-3/8 N. P. T.
7000141 PARKER 68NTA-6-6

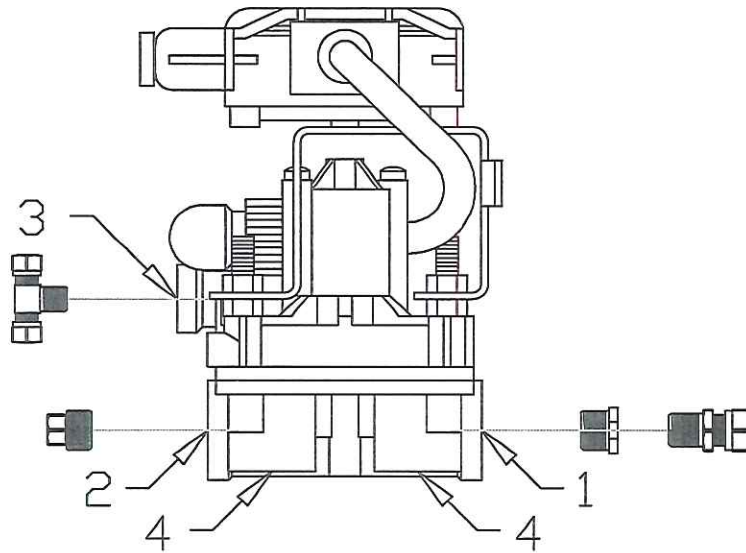
FASTENERS

- 6000319 (2) BOLT 5/16"-18 x 2 1/2"
6100316 (2) LOCK NUT 5/16"-18
6200312 (2) WASHER 5/16"

700N112

AIR FILTER ASSEMBLY

WABCO NO.
400 500 101 0
RSI # 7001229



FITTINGS

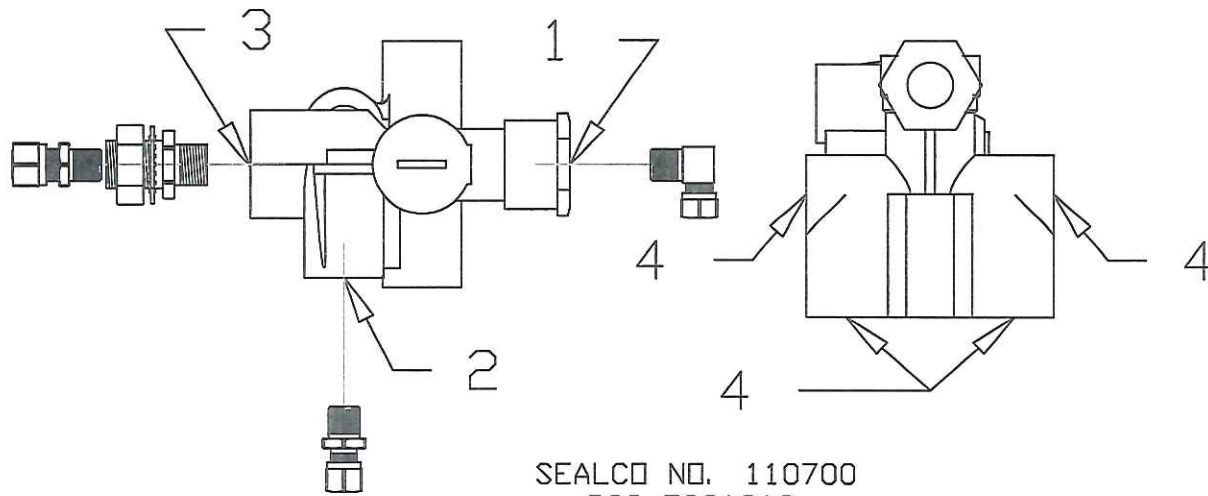
1. SUPPLY/RES PORT (2)-3/4 N. P. T.
7000219 3/4" x 1/2" BUSHING
7000218 PARKER 68NTA-10-8
2. SUPPLY / RES PORT
7000856 3/4" PIPE PLUG
3. CONTROL PORT (1)-3/8 N. P. T.
7045014 PARKER 272NTA-6-6
4. DELIVERY PORT (4)-3/8 N. P. T.
NONE

FASTENERS

- 6000375 (2) BOLT 3/8"-16 x 1 1/4"
6100377 (2) LOCK NUT 3/8"-16
6200378 (2) WASHER 3/8"

700N221

2S/1M ECU ASSY & RELAY VALVE



SEALCO NO. 110700
RSI 7001213

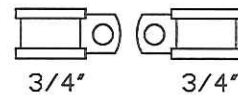
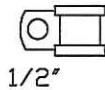
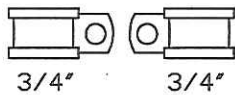
FITTINGS

1. CONTROL PORT (1)-3/8 N. P. T.
7045008 PARKER 269NTA-6-6
2. SUPPLY PORT (1)-3/8 N. P. T.
7000141 PARKER 68NTA-6-6
3. RESERVOIR PORT (1)-1/2 N. P. T.
7000188 TRAMEC 50001
7000143 PARKER 68NTA-8-6
4. DELIVERY PORT (4)-3/8 N. P. T.
NONE

700N220
SPRING BRAKE CONTROL VALVE

CLAMP 1/2"
8000271 (1)

CLAMP 3/4"
8000261 (4)



NYLOK NUT
6100256 (3)

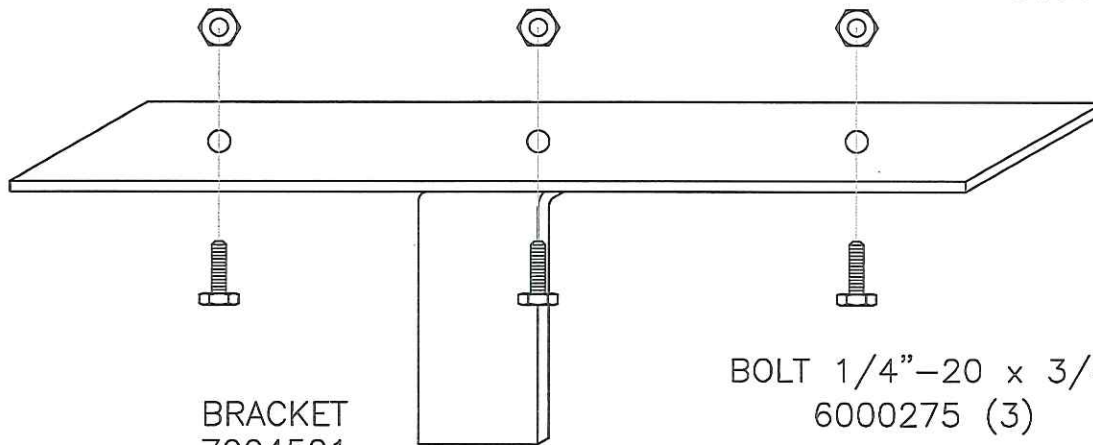


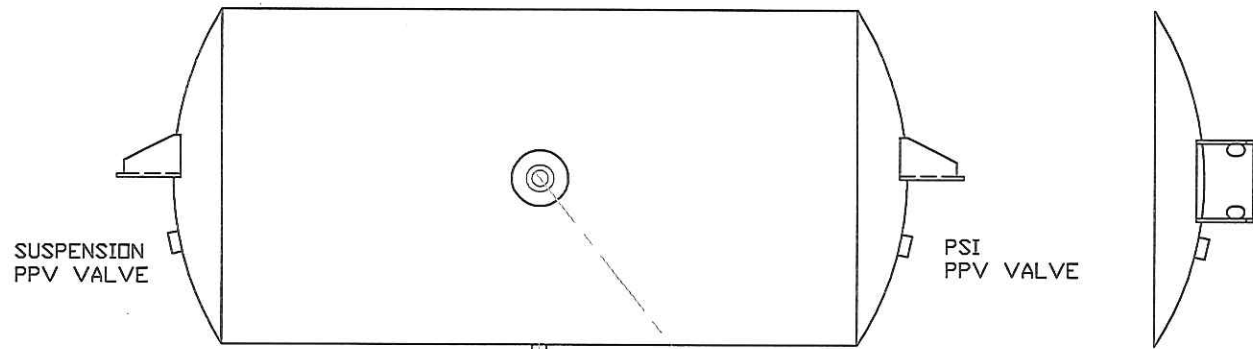
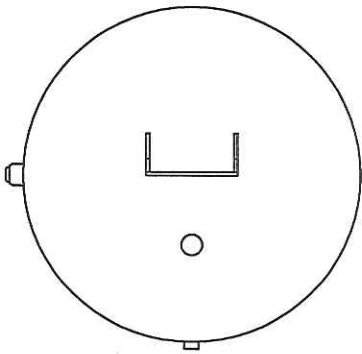
PLATE
2104556

BOLT 1/4"-20 x 3/4"
6000275 (3)

BRACKET
7004521

210N539
AIR BRAKE HOSE MOUNTING PLATE ASSEMBLY

AIR TANK
 -SEMI TRAILER-
 HOOSIER HT-1211
 7000102



7000160
 SLOAN / HEBCO
 CABLE 401729

7000166
 SLOAN / HEBCO
 DRAIN VALVE 401070

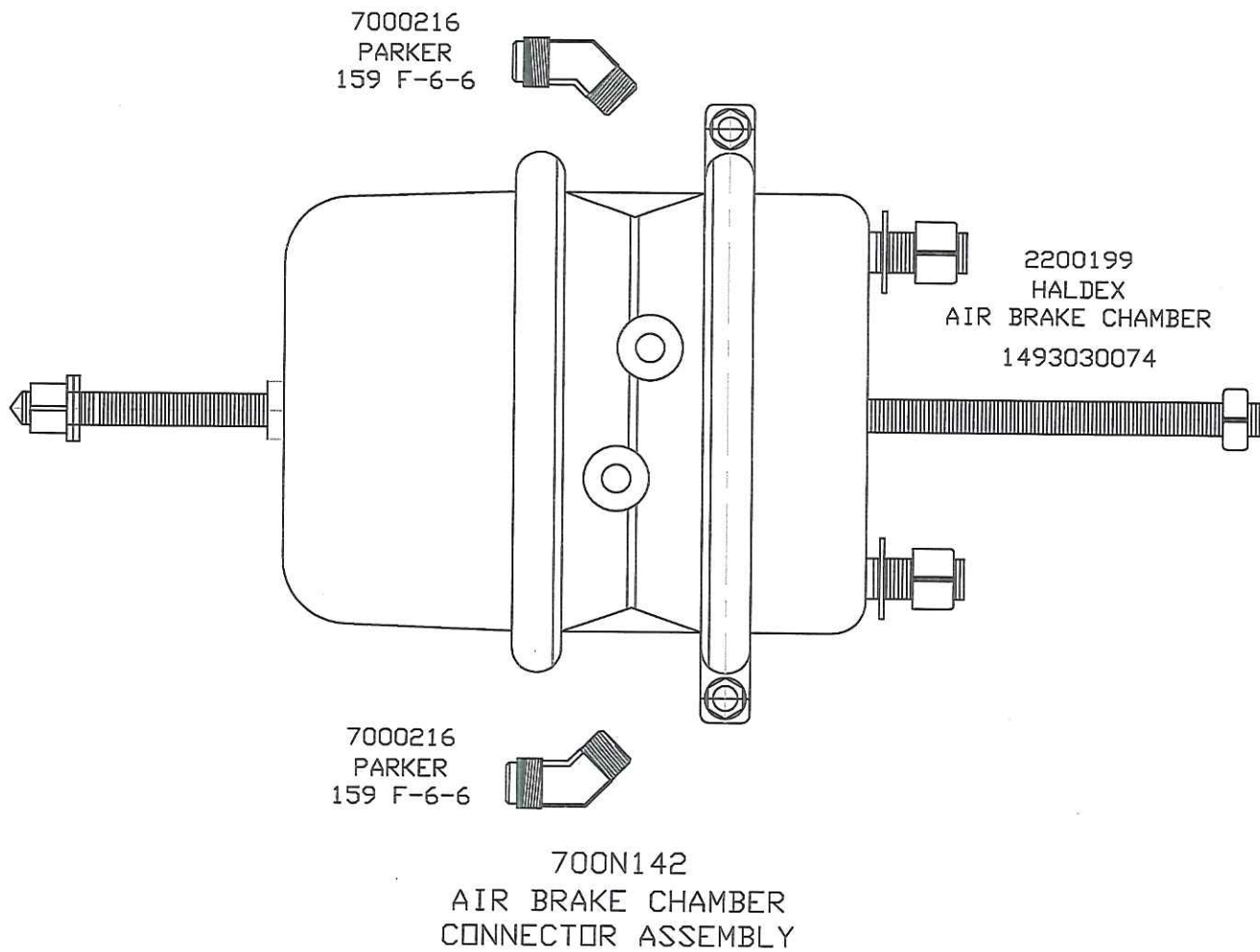
7000167
 SLOAN / HEBCO
 2 CLAMPS 401730

7000901
 BARON
 1" RING 894T50

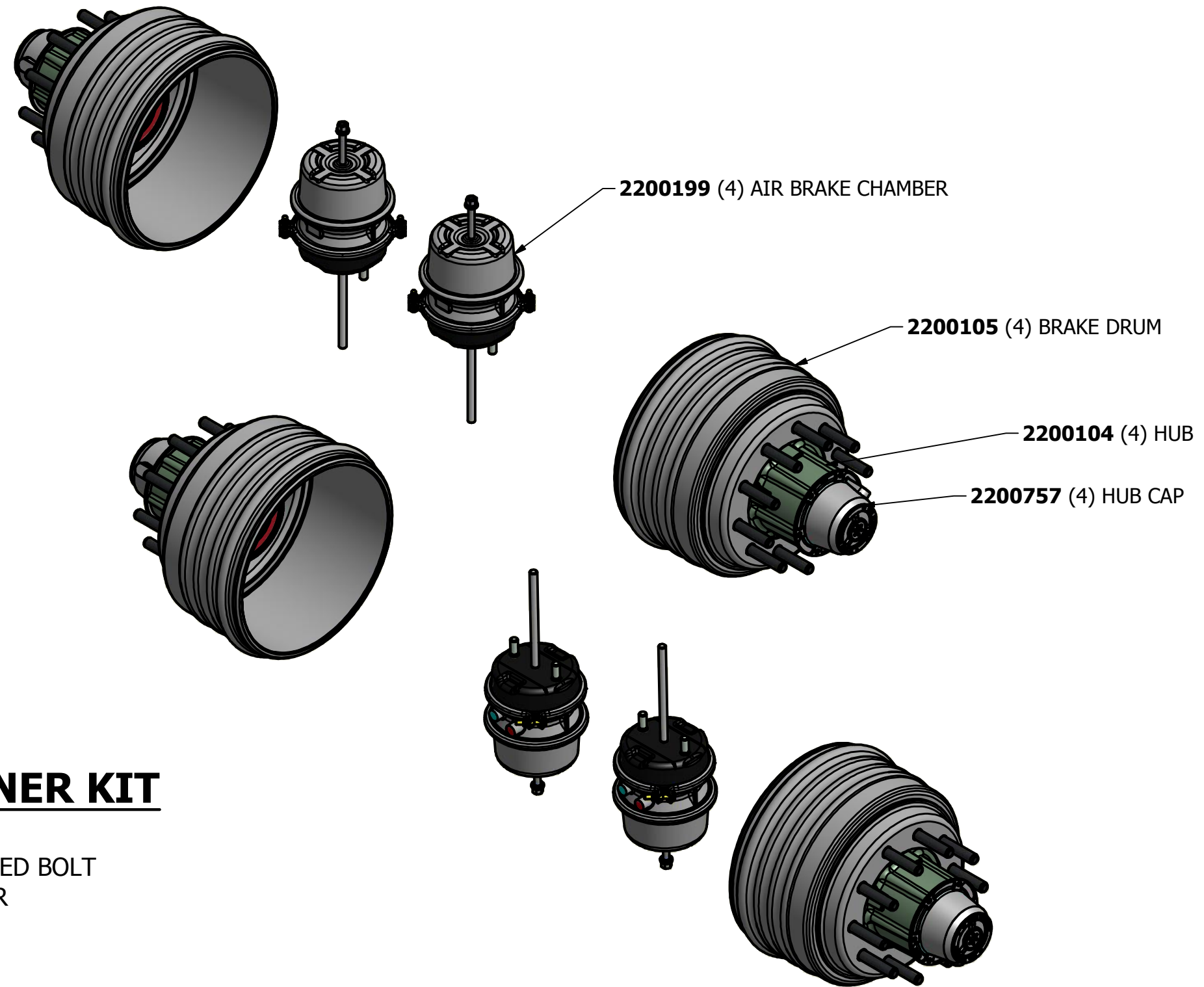
7000219
 BUSHING
 3/4" x 1/2" NPT

7000218
 PARKER
 68NTA-10-8

700N299
 AIR TANK ASSEMBLY



220M075 AXLE ASSEMBLY



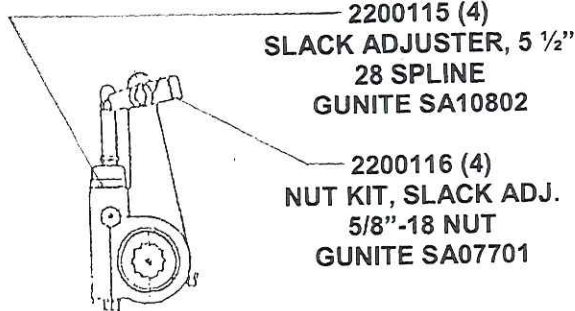
600N001 HUB CAP FASTENER KIT

6000310 (12) 5/16"-18 x 1" GRADE 8 PLATED BOLT

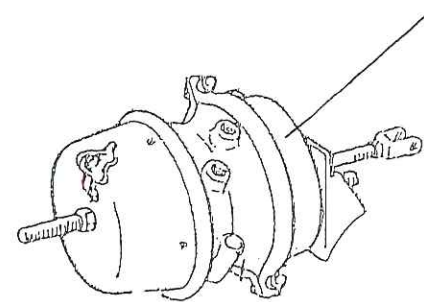
6200313 (12) 5/16" LOCK PLATED WASHER

2200064 (4) AXLE NUT

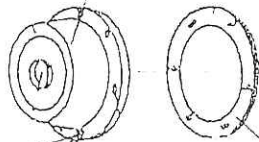
220N018 (4)
ASSY. SLACK ADJUSTER
GUNITE



2200199 (4)
AIR BRAKE CHAMBER
HALDEX 1493030074



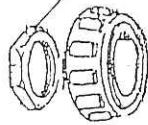
2200757 (4)
HUB CAP
STEMCO 340-4372



6000310 (24)
BOLT, 5/16"-18 x 1"
GRADE 8

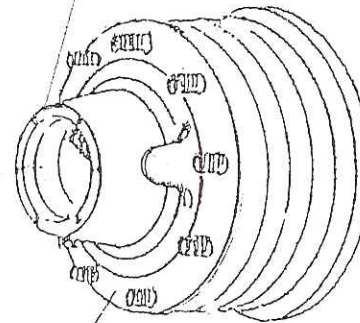
6200313 (24)
LOCKWASHER, 5/16"

2200064 (4)
PRO-TORQUE NUT, PARALLEL
STEMCO 447423



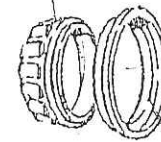
2200063 (4)
GASKET, HUB CAP
STEMCO 3303118

2200104 (4)
HUB
GUNITE HT-817H9



2200105 (4)
BRAKE DRUM
GUNITE GOLD 9006X

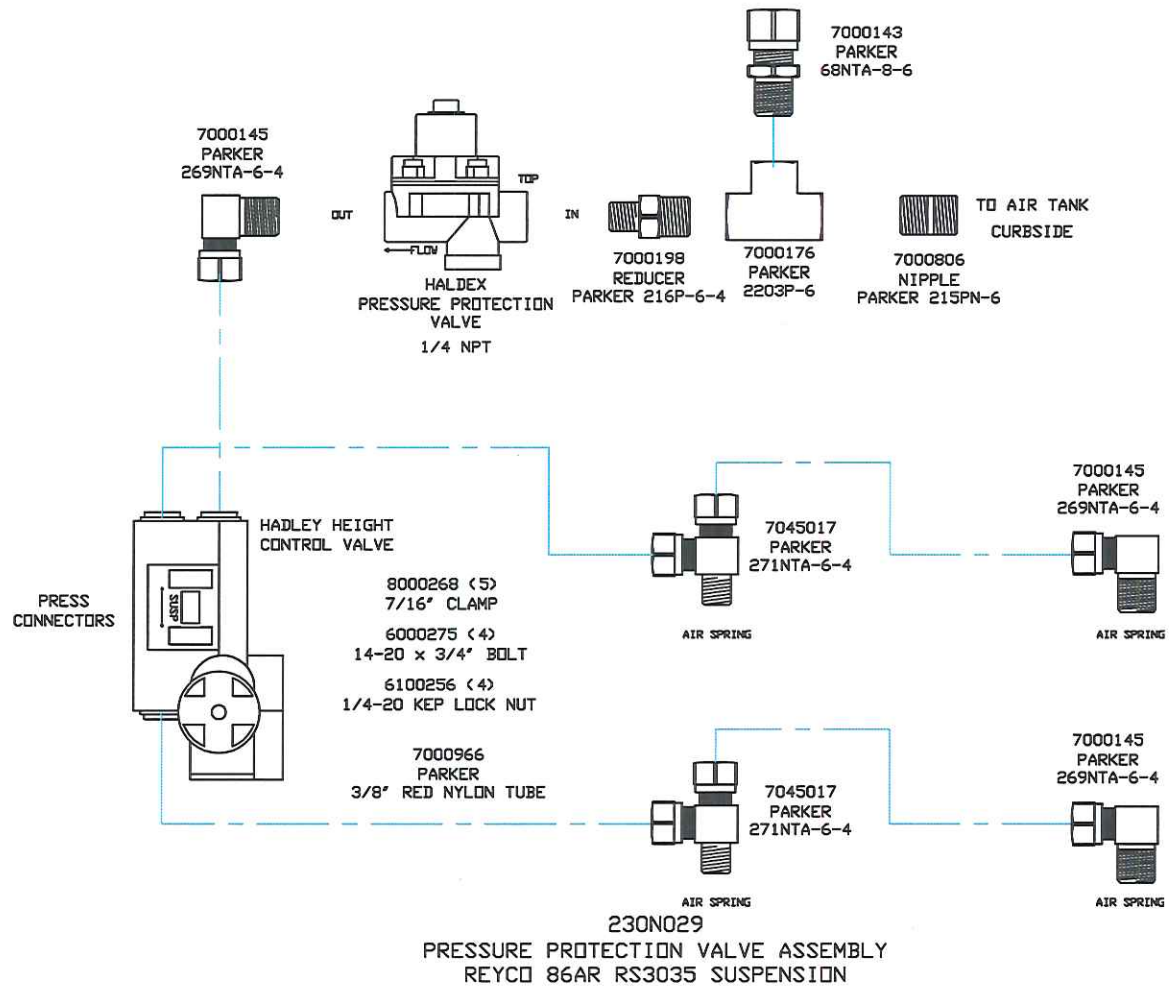
2200060 (8)
WHEEL BEARING, PARALLEL
STEMCO KHM 518445

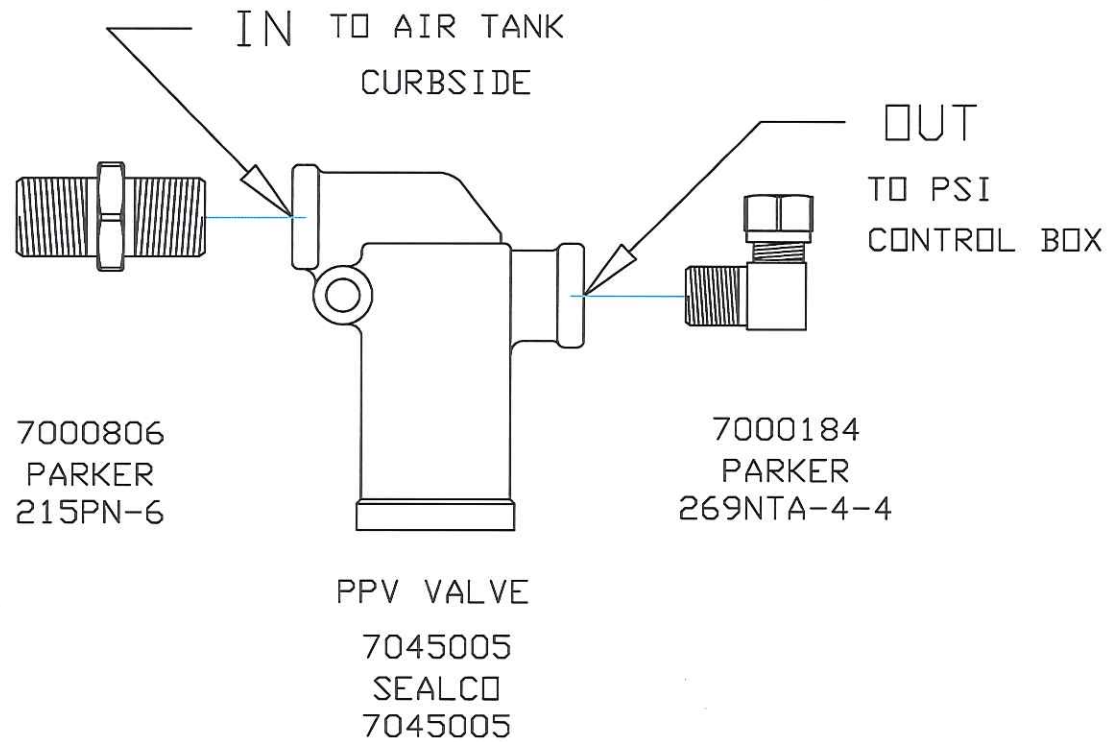


2200851 (4)
WHEEL SEAL
EATON OURUNNER 851

2013 - PSI EQUIPPED AXLES

220M075



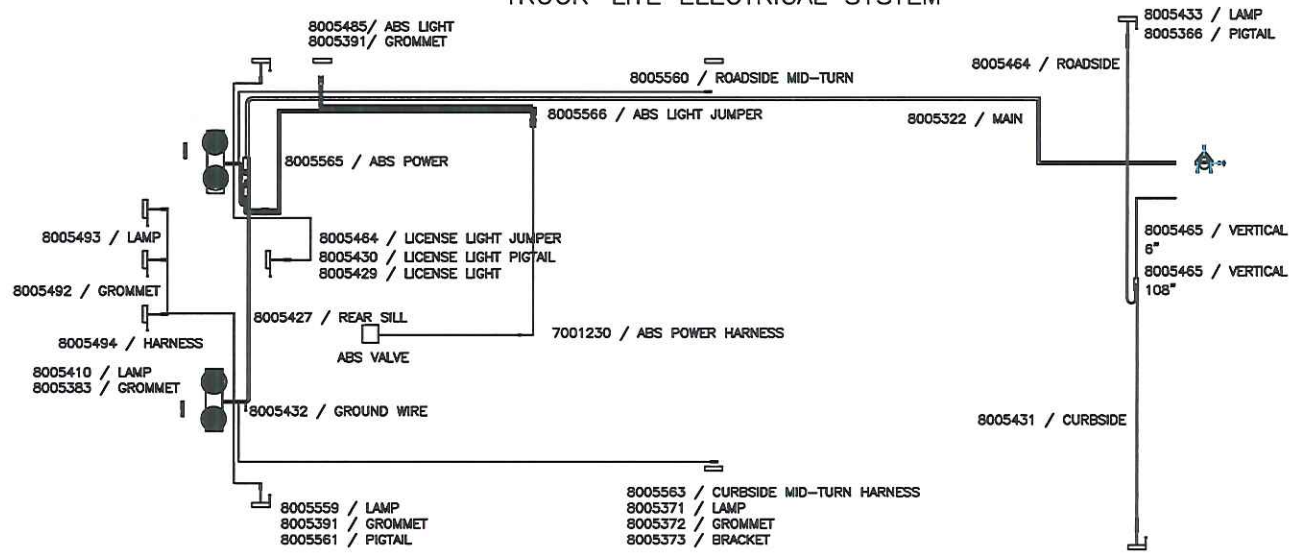


240M053

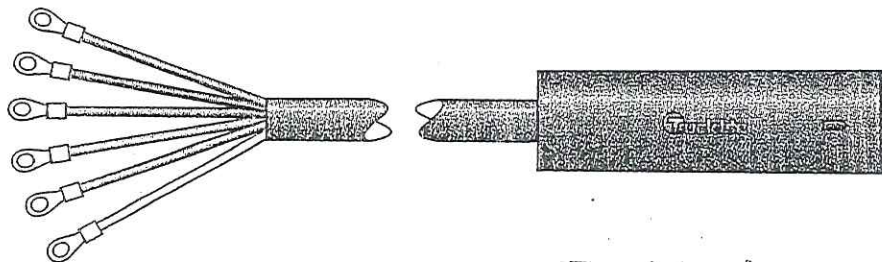
PSI PPV VALVE INSTALLATION ASSEMBLY
MERITOR 32712-22S

ALL THESE PARTS ARE INCLUDED WITH THE PSI KIT 240N053

TRUCK-LITE ELECTRICAL SYSTEM



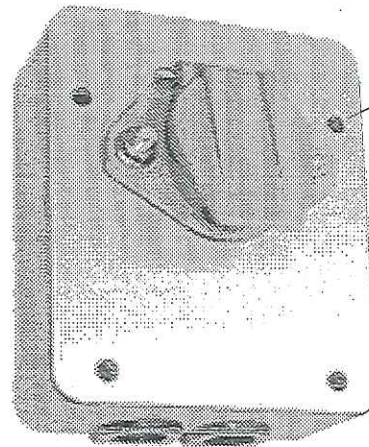
**MAIN HARNESS
TRUCK-LITE**



**8005322 (1)
MAIN HARNESS
TRUCK-LITE 88701-0756"**

800M045

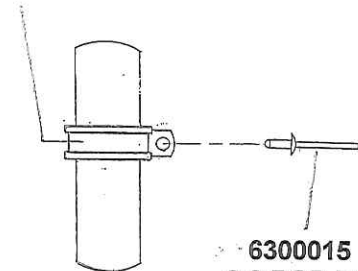
FORWARD WALL 7-WAY RECEPTACLE TRAMEC "SMART BOX"



6000329 (4)
BOLT, 5/16"-18 x 3"
GRADE 5

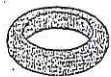
6100317 (4)
KEP LOCK NUT
5/16"-18

8000261 (1)
3/4" CUSHION CLAMP



6300015 (1)
6-9 POP RIVET
SELF SEALING

8000943 (1)
7-WAY RECEPTACLE
TRAMEC SMART BOX 38521



8000459 (1)
GROMMET, 1 3/4" x 1" x 9/16"

800N182

4100519 (1)
AIR KIT PLATE
GALVANIZED

6000306 (4)
SCREW, 5/16"-18 x 1"
GRADE 5

6100317 (4)
KEP LOCK NUT
5/16"-18

6200312 (4)
FLAT WASHER
5/16" USS

6000312 (4)
ROLOC BOLT
5/16"-18 x 3/4"

6000329 (4)
BOLT, 5/16"-18 x 3"
GRADE 5

6100317 (4)
KEP LOCK NUT
5/16"-18

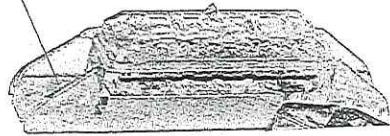
6300128 (4)
POP RIVET
8-4 STAINLESS

AIR KIT PLATE ASSEMBLY
TRAMEC "SMART BOX"

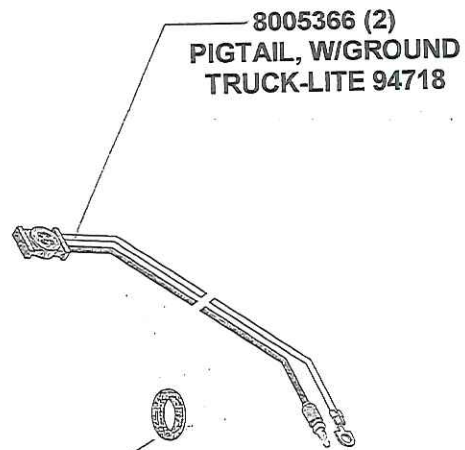
410N098

FORWARD WALL MARKER LIGHTS TRUCK-LITE

6000234 (4)
SCREW, 10-16x1"



8005433 (2)
MARKER LIGHT, MODEL 35 LED
TRUCK-LITE 35375Y



8005366 (2)
PIGTAIL, W/GROUND
TRUCK-LITE 94718

8000463 (2)
GROMMET
3/16"x1/4"x7/16"



6200103 (2)
STARLOCK WASHER #10

6300126 (2)
POP RIVET 6-6
STAINLESS

800N182

FORWARD WALL ELECTRICAL HARNESS TRUCK-LITE

8005431 (1)
JUMPER, 48"
TRUCK-LITE 96959



ROADSIDE

8005464 (1)
JUMPER, 60"
TRUCK-LITE 95944



CURBSIDE

8000458 (2)
GROMMET, 3/8" ID x 5/8" OD



8000302 (9)
DEKCLIP, 3/8"



8005461 (1)
JUMPER, 108"
TRUCK-LITE 97061



8000931 (2)
CABLE TIE, 8"

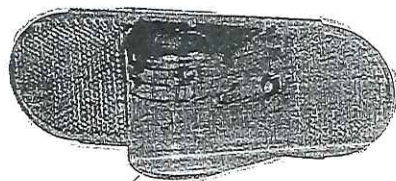


8005487 (1)
JUMPER, 6"
TRUCK-LITE 96425

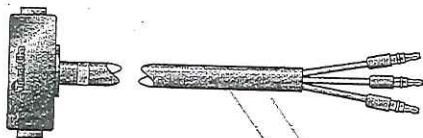


800N182

MID-TURN LIGHT ELECTRICAL ASSEMBLY TRUCK-LITE, INCANDESCENT

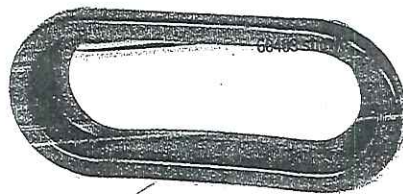


8005371 (2)
LAMP, MID-TURN MODEL 60
TRUCK-LITE 60215Y



8005560 (1)
HARNES L.H. MID-TURN
TRUCK-LITE 51355-0336

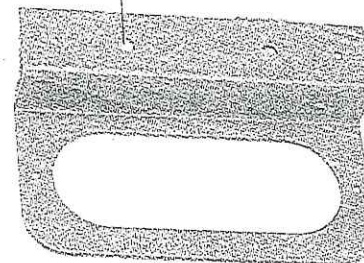
8005563 (1)
HARNES R.H. MID-TURN
TRUCK-LITE 51356-0336



8005372 (2)
GROMMET, MID-TURN LIGHT MOUNTING
TRUCK-LITE 60700



8000931 (2)
CABLE TIE, 8"



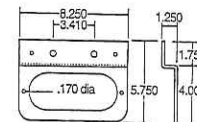
8005373 (2)
MOUNTING BRACKET, MID-TURN LIGHT
TRUCK-LITE 60728

6000363 (4)
3/8"-16 x 1 1/4" BOLT

6100377 (4)
3/8"-16 LOCK NUT

6200378 (8)
3/8" FLATWASHER

8000931 (2)
CABLE TIE, 8"

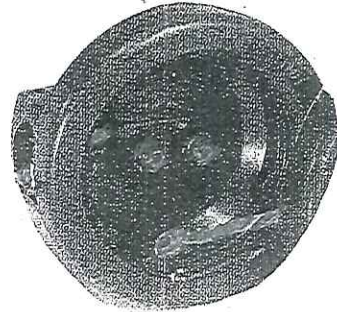


60728
.370 SCREW HOLE DIAMETER
.200 SCREW HOLE DIAMETER

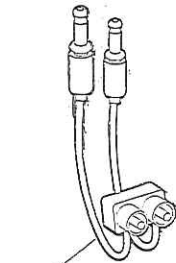
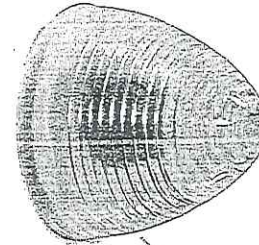
800N194

LOWER REAR MARKER LIGHTS TRUCK-LITE INCANDESCENT MODEL 30 - 2"

8005391 (2)
GROMMET, 2" CLOSED BACK
TRUCK-LITE 30702



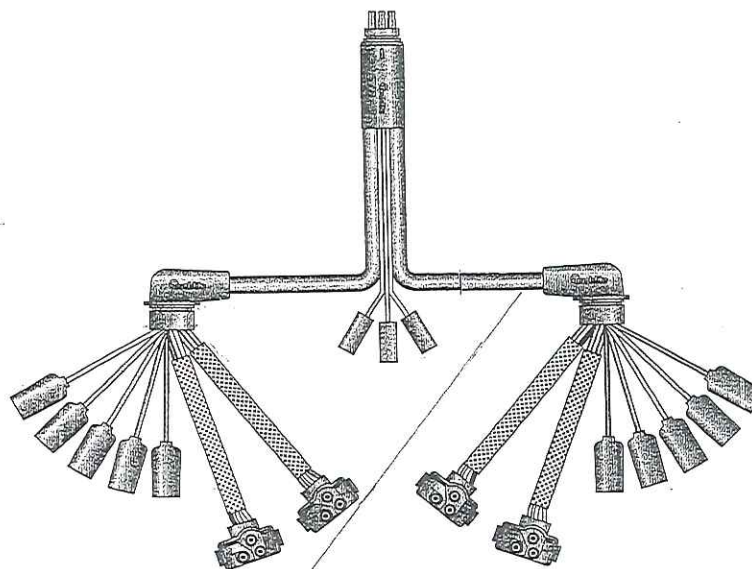
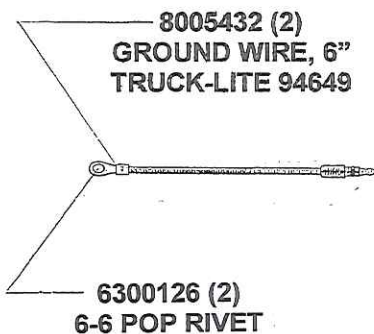
8005559 (2)
MARKER LAMP 2" MODEL 30
TRUCK-LITE 30201R



8005573 (2)
PIGTAIL, MARKER MODEL 30 - 18"
TRUCK-LITE 95850

800N184

REAR SILL ELECTRICAL ASSEMBLY TRUCK-LITE



8005427 (1)
REAR SILL HARNESS
INCANDESCENT, WITH ABS
TRUCK-LITE 88911

6000606 (6)
WELD STUD, 1/4"-20 x 3/4"

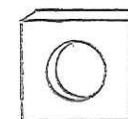
6100256 (6)
LOCK NUT 1/4"-20

8000262 (1)
7/8" CUSHION CLAMP

8000264 (2)
1 7/16" CUSHION CLAMP

8000271 (1)
1/2" CUSHION CLAMP

8000931 (10)
CABLE TIE, 8"



8000163 (2)
BRACKET
REAR HARNESS MOUNT

WIRE COLOR CODING FOR ALL REAR SILL DROPOUTS

Center (ABS Power)
 Red - (1) Single - Stop
 Blue - (1) Single - Auxiliary/ABS
 White - (1) Single - Ground

Right Hand
 Green - (1) Single RH Turn
 White - (2) Double Ground
 Brown - (1) Double Marker or Tail
 Black - (1) Double License or Marker

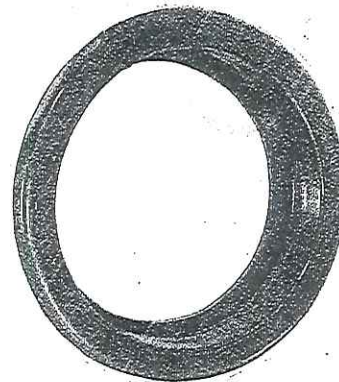
Left Hand
 Yellow - (1) Single LH Turn
 White - (2) Double Ground
 Brown - (1) Double Marker or Tail
 Black - (1) Double License or Marker

800N187

**STOP LIGHT ASSEMBLY
TRUCK-LITE INCANDESCENT**



8005410 (4)
TAIL LIGHT, INCANDESCENT
TRUCK-LITE 40282R



8005383 (4)
GROMMET, TAIL LIGHT
TRUCK-LITE 40700

800N180

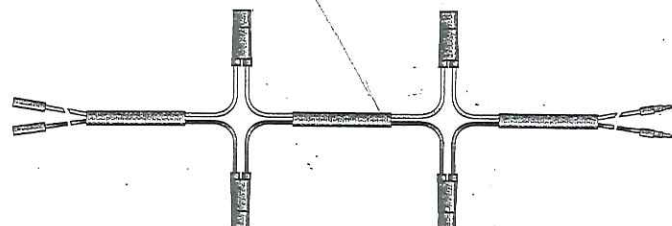
HEADER CLEARANCE LIGHT ASSEMBLY TRUCK-LITE MODEL 33 LED

6100256 (3)
KEP LOCK NUT
1/4"-*20 STAINLESS

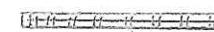
6400606 (3)
WELD STUD
1/4"-20x3/4"

8000266 (4)
1/4" CUSHION CLAMP

8005494 (1)
HARNESS, MODEL 33 LIGHTS
TRUCK-LITE 96269

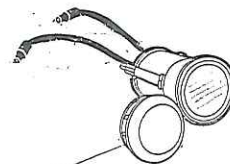


8000451 (1)
GROMMET



8000977(12")
3/8" SPLIT LOOM

PLUG THE UNUSED BULLETS WITH PLUGS FROM THE REAR SILL HARNESS



8005492 (3)
MODEL 33 LED LIGHT
TRUCK-LITE 33250R

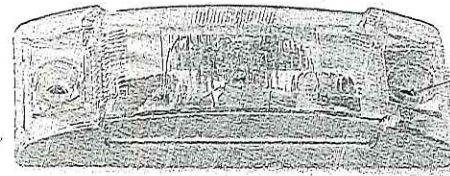
8005493 (3)
GROMMET, MODEL 33 LIGHT
TRUCK-LITE 33700

NOTE: INSTALL PLUGS FROM THE REAR SILL HARNESS, INTO THE UNUSED LAMP POSITIONS

800N289

LICENSE LIGHT ASSEMBLY TRUCK-LITE, MODEL 88 INCANDESCENT

8005429 (1)
LICENSE LAMP, MODEL 88
TRUCK-LITE 21204C



6000247 (2)
10-24 x 1 1/4"
MACHINE SCREW

6100238 (2)
10-24 NYLOK NUT

8000462 (1)
GROMMET
1/2" x 3/8" x 1/8"



8005430 (1)
HOT WIRE, MODEL 21
TRUCK-LITE 96932



8005464 (1)
JUMPER HARNESS, 60"
TRUCK-LITE 95944



6000254 (1)
BOLT, 1/4"-20 x 1"



8000266 (1)
1/4" CUSHION CLAMP



6100256 (1)
KEP LOCK NUT
1/4"-20 STAINLESS

6300139 (2)
6-16 POP RIVET

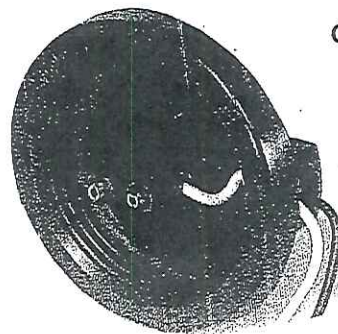
800N914

ABS WARNING LIGHT ASSEMBLY TRUCK-LITE LED - 2"

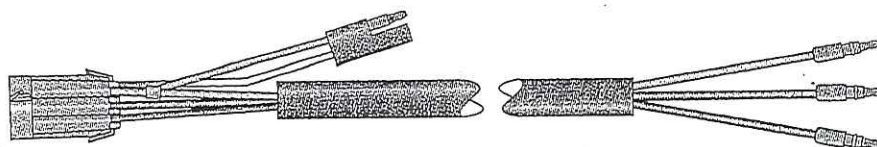
8005485 (1)
ABS LAMP - 2"
TRUCK-LITE 30257Y



8005391 (1)
GROMMET, 2" CLOSED BACK
TRUCK-LITE 30702



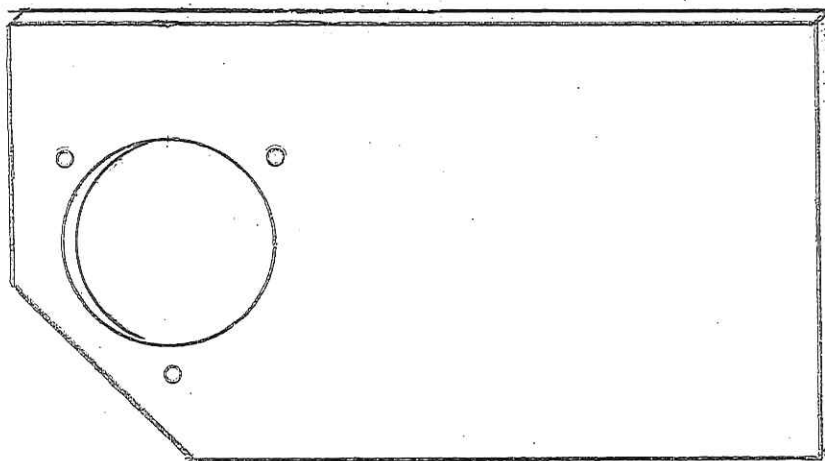
8005566 (1)
HARNESS, ABS LIGHT
TRUCK-LITE 52200-228



8005565 (1)
POWER HARNESS, ABS 300"
TRUCK-LITE 88100-0300

800N186

**ABS WARNING LIGHT MOUNTING BRACKET
TRUCK-LITE LED – 2”**



**4300360
STAINLESS
ABS MOUNTING BRACKET**

800N186