

CON-WAY FREIGHT CITY SEMI 45', 48' & 53' TRAILER PARTS BOOK



TABLE OF CONTENTS

A

AIR BRAKE ASSEMBLY.....	3-15
ANCRA SAFE STACK ASSEMBLY.....	16-19
AXLE ASSEMBLY.....	20-21

B

BOGIE ASSEMBLY.....	22-26
BOGIE SUB-FRAME.....	27-28
BUMPER ASSEMBLY.....	29-31

D

DOOR & DOOR FRAME ASSEMBLY.....	32-33
---------------------------------	-------

E

ELECTRICAL ASSEMBLY.....	34-58
--------------------------	-------

F

FLOOR ASSEMBLY.....	59-62
FORWARD WALL ASSEMBLY.....	63-65

L

LANDING LEG ASSEMBLY.....	66-71
---------------------------	-------

M

MUD FLAP ASSEMBLY.....	72-73
------------------------	-------

R

ROOF ASSEMBLY.....	74-77
--------------------	-------

S

SIDEWALL ASSEMBLY.....	78-81
SUSPENSION ASSEMBLY.....	82-84

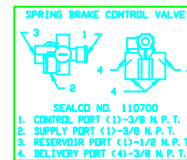
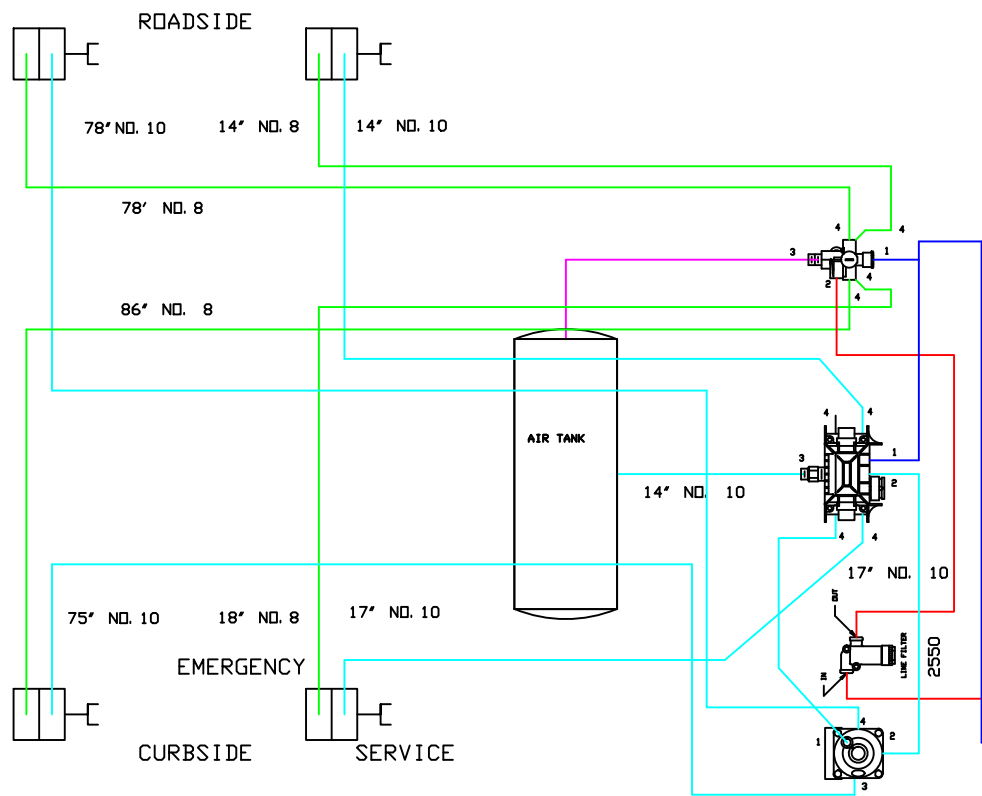
U

UPPER COUPLER ASSEMBLY.....	85-86
-----------------------------	-------

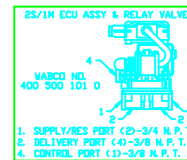
AIR BRAKES

45', 48' & 53' CON-WAY CITY SEMI TRAILERS

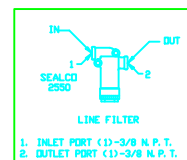




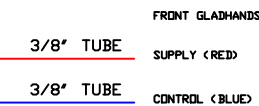
RSI #	SIZE	# 10	HOSE	FITTING	QTY.
			7000117	7000002	
7000010	17'	HOSE ASSEMBLY	1.45'	2	1
7100019	78'	HOSE ASSEMBLY	6.50'	2	1
7100029	86'	HOSE ASSEMBLY	7.16'	2	1
7100040	14'	HOSE ASSEMBLY	1.16'	2	3



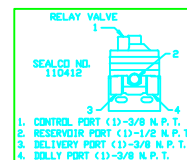
RSI #	SIZE	# 8	HOSE	FITTING	QTY.
			7000116	7000001	
7100017	14'	HOSE ASSEMBLY	1.2'	2	1
7100034	79'	HOSE ASSEMBLY	6.583'	2	1
7100038	75'	HOSE ASSEMBLY	6.25'	2	1
7100039	18'	HOSE ASSEMBLY	1.50'	2	1
7100065	114'	HOSE ASSEMBLY	9.50'	2	2



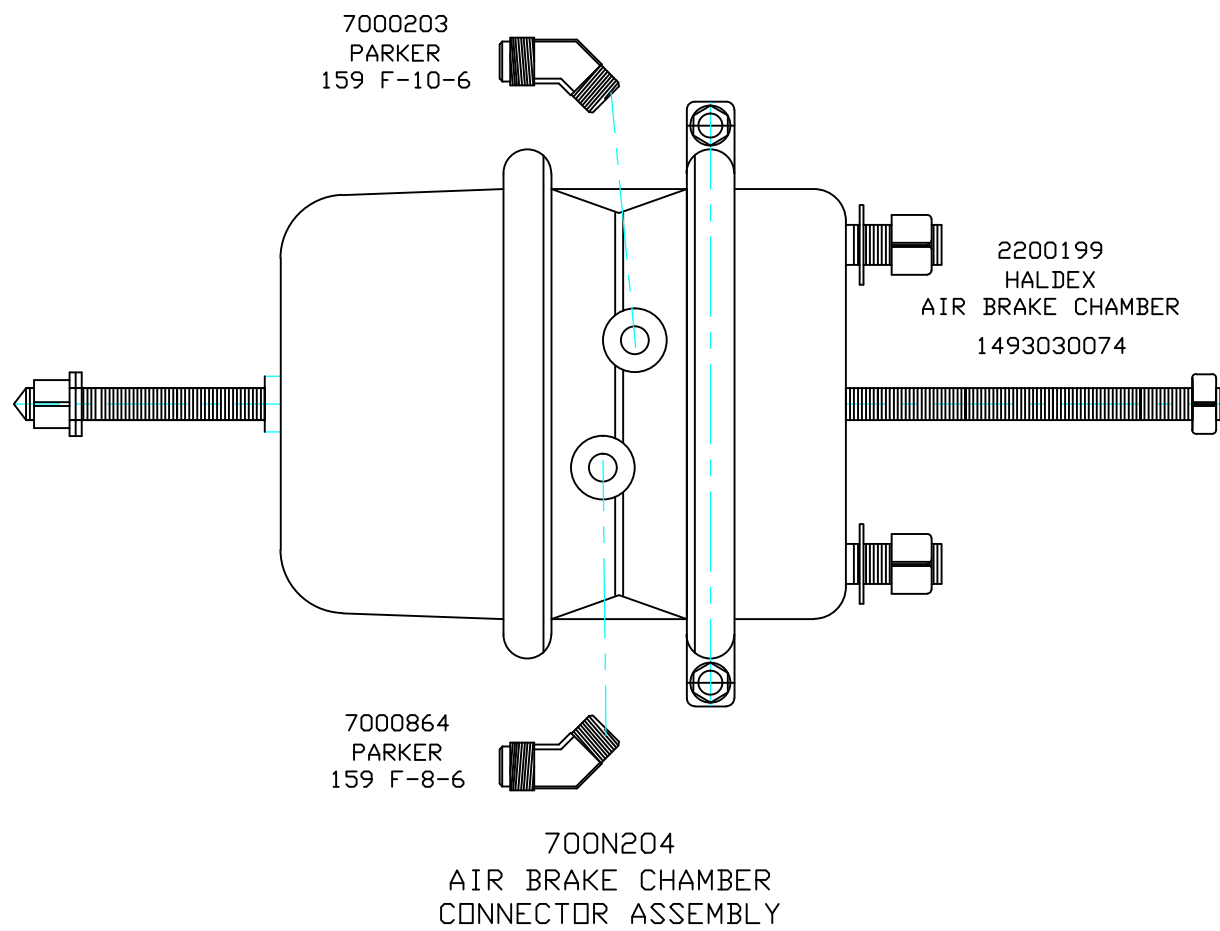
7000966	3/8"	NYLON TUBE PARKER PFT-6B-RED
7000968	1/2"	NYLON TUBE PARKER PFT-8B-BLACK
7000971	3/8"	NYLON TUBE PARKER PFT-6B-BLUE



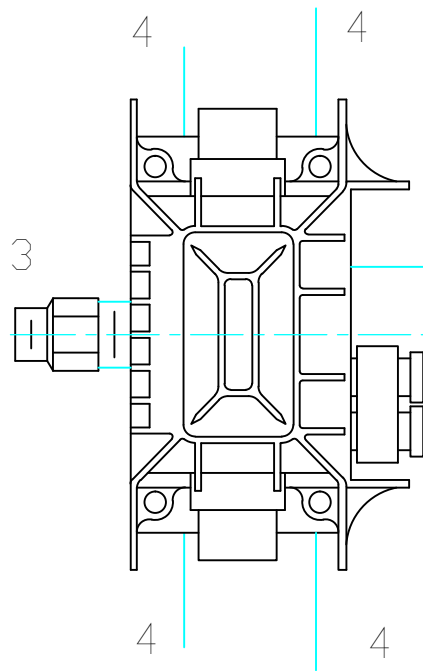
114' SLIDER HOSES (2)



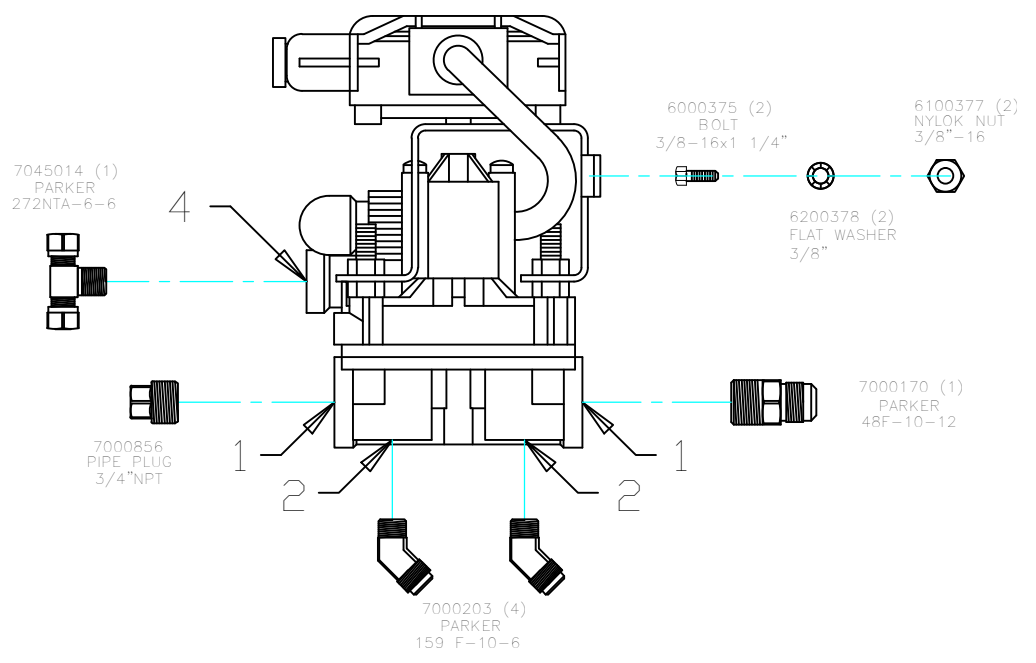
700M098 / 700N107 2013 CWF 42', 45, 48', 53' REFURBISHED TRAILERS WITH ABS



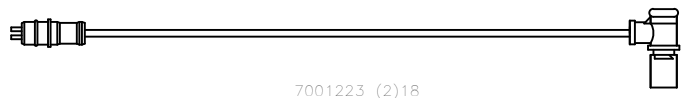
- 1. SUPPLY/RES PORT (2)-3/4 N.P.T.
- 2. DELIVERY PORT (4)-3/8 N.P.T.
- 4. CONTROL PORT (1)-3/8 N.P.T.



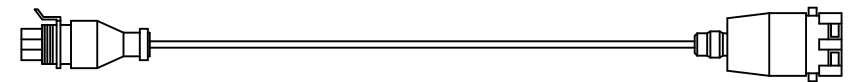
7001229 (1)
ABS VALVE 2S/1M
MERITOR S400-500-1010



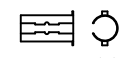
7001218
ABS SENSOR
MERITOR 441-032-8080



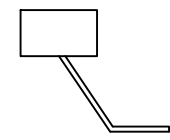
7001223 (2)18
ABS SENSOR CABLE 60"
MERITOR 449-710-0180



7001230
ABS POWER CABLE - 20'
MERITOR S449-326-060-0



7001224 (2)
ABS SENSOR BUSHING
MERITOR 899-759-8154



2200040 (2)
ABS SENSOR STAND
MERITOR 2255T1346

700N217

WABCO ABS VALVE ASSEMBLY CWF TRAILERS

700N096 AIR BRAKE HOSE
ASSEMBLY

RSI #	SIZE	#	10	HOSE	FITTING	QTY.
				7000117	7000002	
7002112	HOSE ASSEMBLY			12'	2	1
7100019	HOSE ASSEMBLY			78'	2	2
7100020	HOSE ASSEMBLY			21'	2	2
RSI #	SIZE	#	8	HOSE	FITTING	QTY.
				7000116	7000001	
7100017	HOSE ASSEMBLY			14'	2	1
7100018	HOSE ASSEMBLY			77'	2	2
7100074	HOSE ASSEMBLY			23'	2	1
7100065	HOSE ASSEMBLY			114'	2	2
NYLON AIR BRAKE TUBE						
7000966	- 3/8' RED			20'		1
				15'		1
7000971	- 3/8' BLUE			8'		1
				25'		1
7000968	- 1/2' BLACK			20'		1

TUBING LENGTHS FROM GLADHANDS TO SLIDER HOSE HANGER

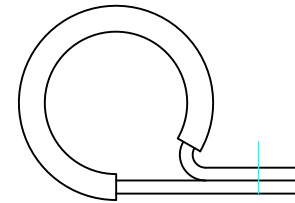
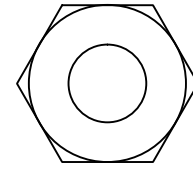
42' TRAILER = 34' OF RED AND BLUE TUBING

45' TRAILER = 38' OF RED AND BLUE TUBING

48' TRAILER = 41' OF RED AND BLUE TUBING

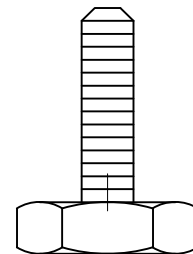
53' TRAILER = 46' OF RED AND BLUE TUBING

6100256 (2)
1/4"-20 KEP LOCK NUT



8000261 (4)
3/4" CLAMP

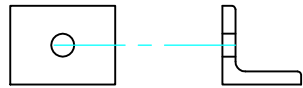
6000275 (2)
1/4"-20 x 3/4" BOLT



PARTS NOT SHOWN

CABLE TIE (BLACK)
P/N: 8000931 QTY: 120

700N520 AIR LINE FASTENER ASSEMBLY
CWF45-07, CWF48-09, CWF53-05

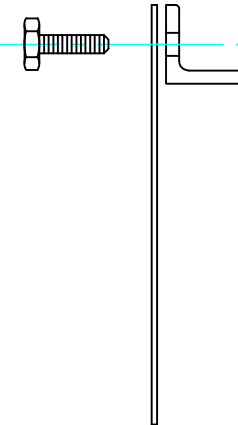
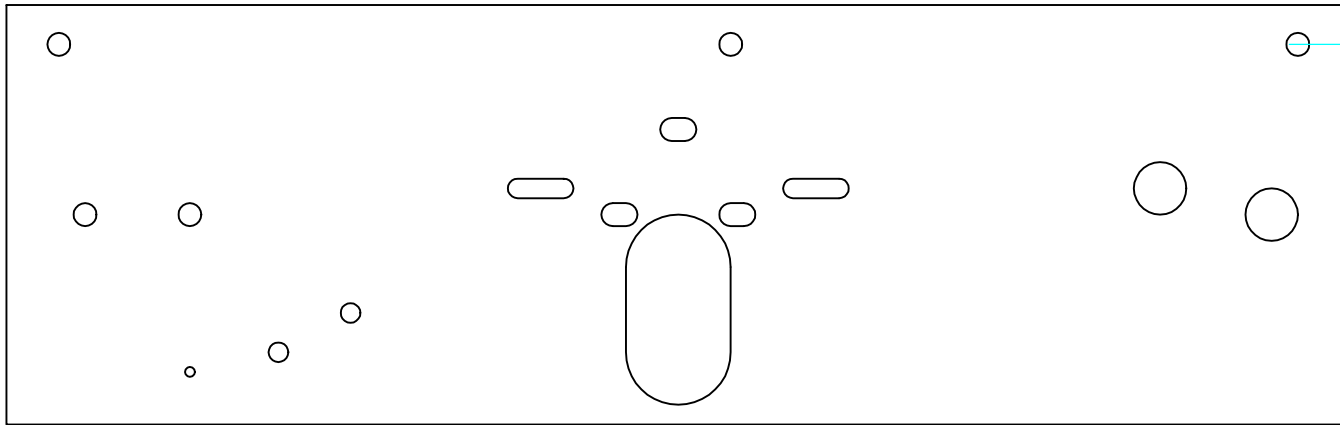


MOUNTING ANGLE (3)
1004201

6000375
BOLT 3/8"-16 x 1 1/4"

6100377
NYLOK NUT (3)

6200378
FLAT WASHER (3)

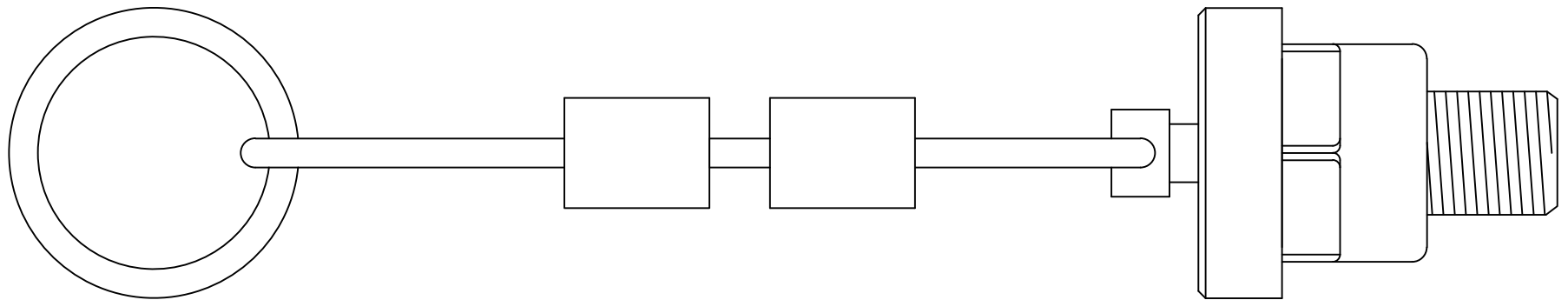


AIR BRAKE VALVE MOUNTING PLATE

7000046

AIR BRAKE VALVE MOUNTING PLATE ASSEMBLY

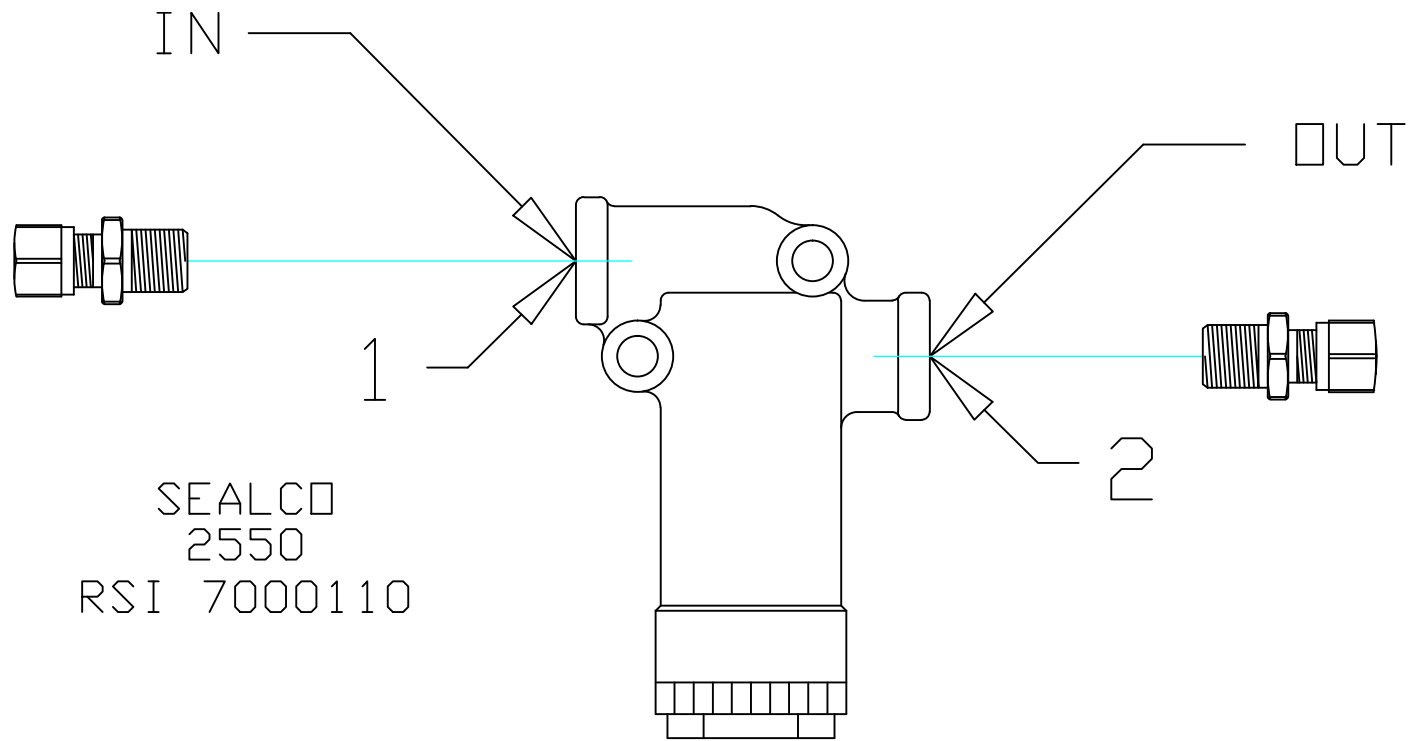
700N068



7000901
BARON
1" RING 894T50

7000165
SLOAN / HEBCO
DRAIN VALVE 401047

700N016
AIR DRAIN VALVE ASSEMBLY



SEALCO
2550
RSI 7000110

LINE FILTER

FITTINGS

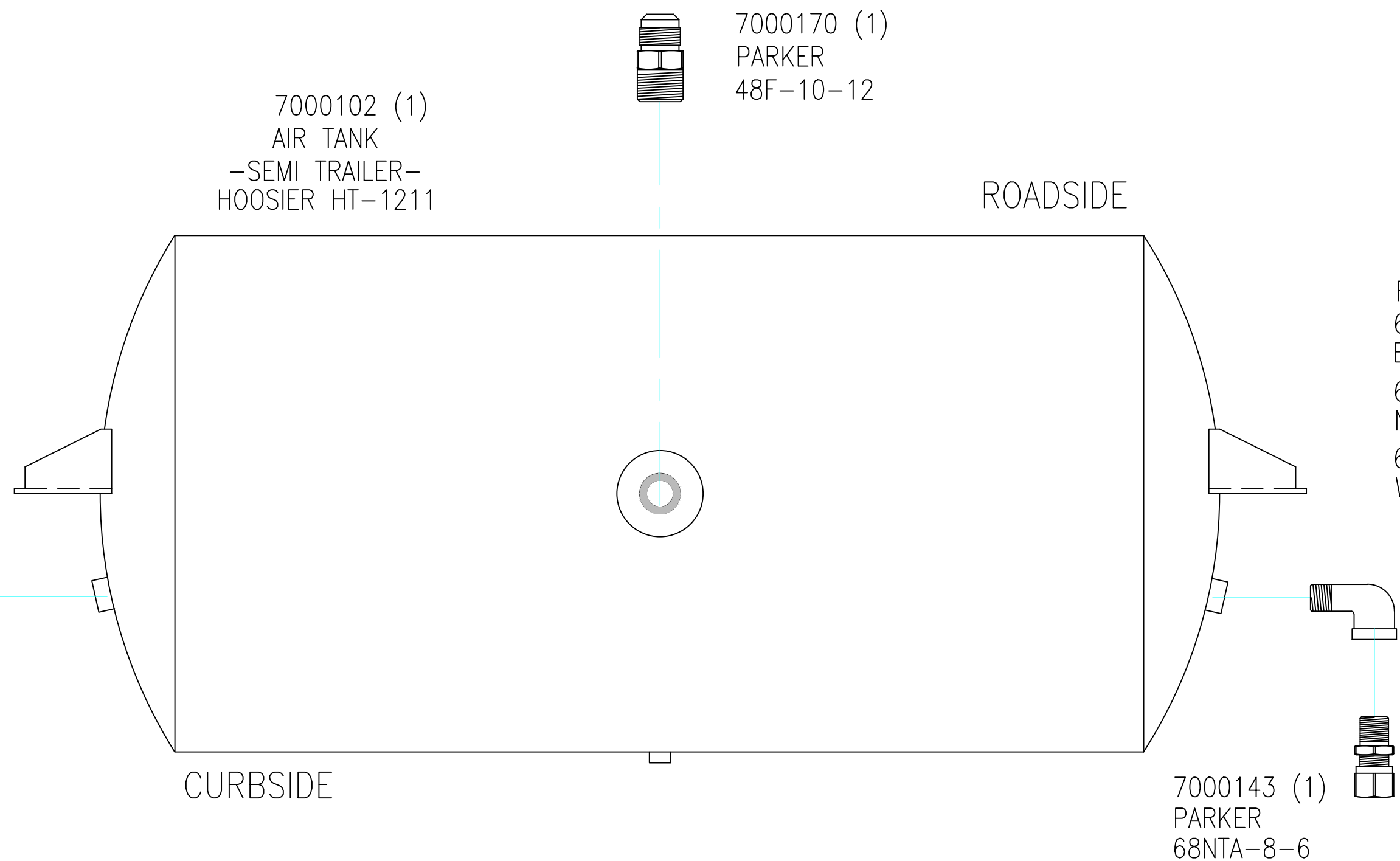
1. INLET PORT (1) - 3/8 N. P. T.
7000141 PARKER 68NTA-6-6
2. OUTLET PORT (1) - 3/8 N. P. T.
7000141 PARKER 68NTA-6-6

FASTENERS

- | | |
|-------------|--------------------------|
| 6000319 (2) | BOLT 5/16" - 18 x 2 1/2" |
| 6100316 (2) | LOCK NUT 5/16" - 18 |
| 6200312 (2) | WASHER 5/16" |

700N112

AIR FILTER ASSEMBLY



7000102 (1)
AIR TANK
-SEMI TRAILER-
HOOSIER HT-1211

7000170 (1)
PARKER
48F-10-12

ROADSIDE

FASTENERS
6000375 (4)
BOLT 3/8-16 x 1 1/4"
6100381 (4)
NUT 3/8-16
6200376 (4)
WASHER 3/8"

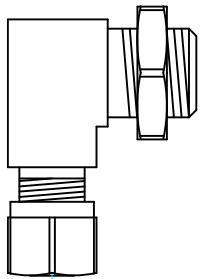
7000851 (1)
PIPE PLUG
3/8" NPT

CURBSIDE

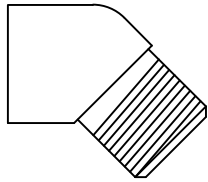
7000931 (1)
STREET ELBOW
3/8" NPT

7000143 (1)
PARKER
68NTA-8-6

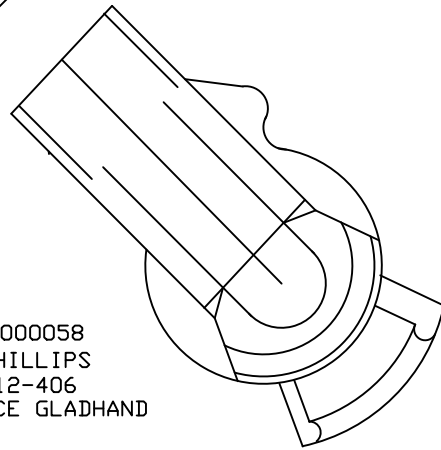
AIR TANK ASSEMBLY
700N056



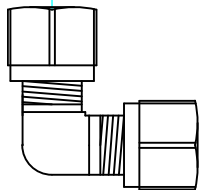
7000030
PARKER
E-2203/. 12



7000177
PARKER
2214P-8-8



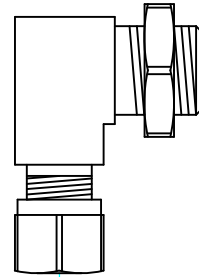
7000058
PHILLIPS
12-406
SERVICE GLADHAND



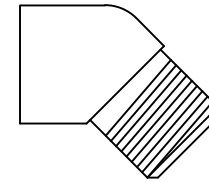
7000971
PARKER
PFT-6B-BLUE

7000180
PARKER
265NTA-6

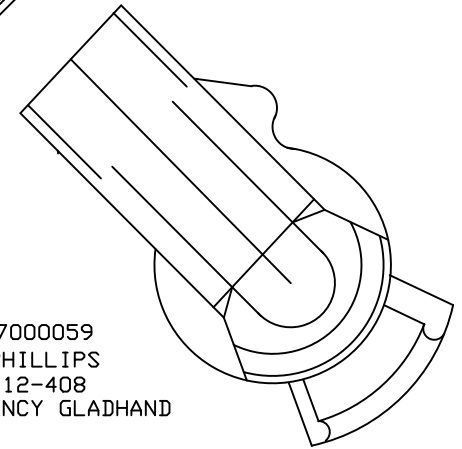
700N052
GLADHAND ASSEMBLY
FORWARD WALL



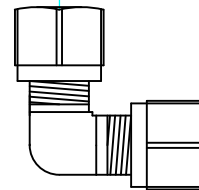
7000030
PARKER
E-2203/. 12



7000177
PARKER
2214P-8-8



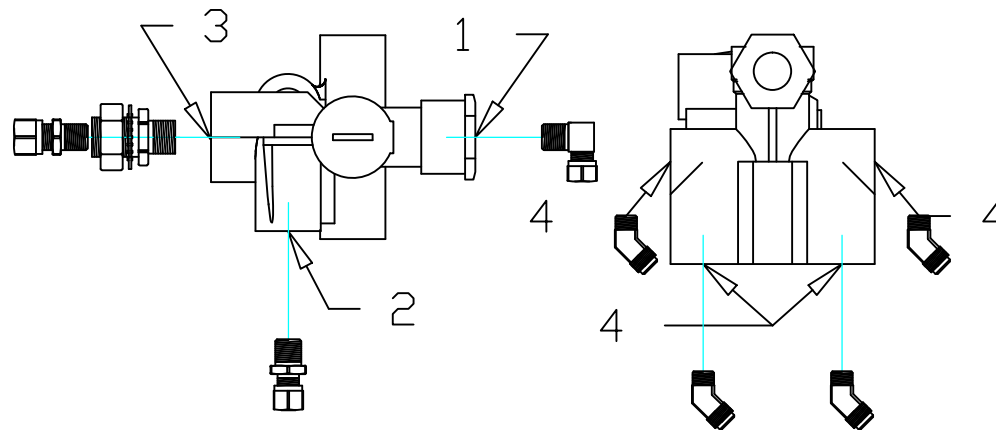
7000059
PHILLIPS
12-408
EMERGENCY GLADHAND



7000966
PARKER
PFT-6B-RED

7000180
PARKER
265NTA-6

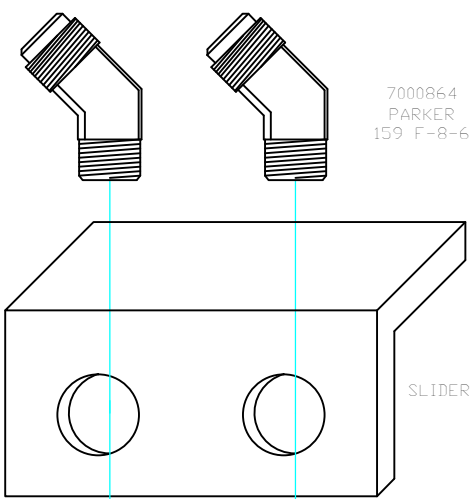
7001213
SEALCO NO. 110700



FITTINGS

1. CONTROL PORT (1)-3/8 N. P. T.
7045008 PARKER 269NTA-6-6
2. SUPPLY PORT (1)-3/8 N. P. T.
7000141 PARKER 68NTA-6-6
3. RESERVOIR PORT (1)-1/2 N. P. T.
7000188 TRAMEC 50001
7000143 PARKER 68NTA-8-6
4. DELIVERY PORT (4)-3/8 N. P. T.
7000864 PARKER 159F-8-6

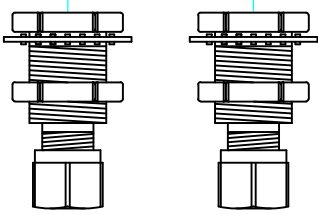
700N218
SPRING BRAKE CONTROL VALVE



7000864
PARKER
159 F-8-6

2104521
SLIDER HOSE HANGER ANGLE

7045035 (2)
PARKER
66NTA-6-6



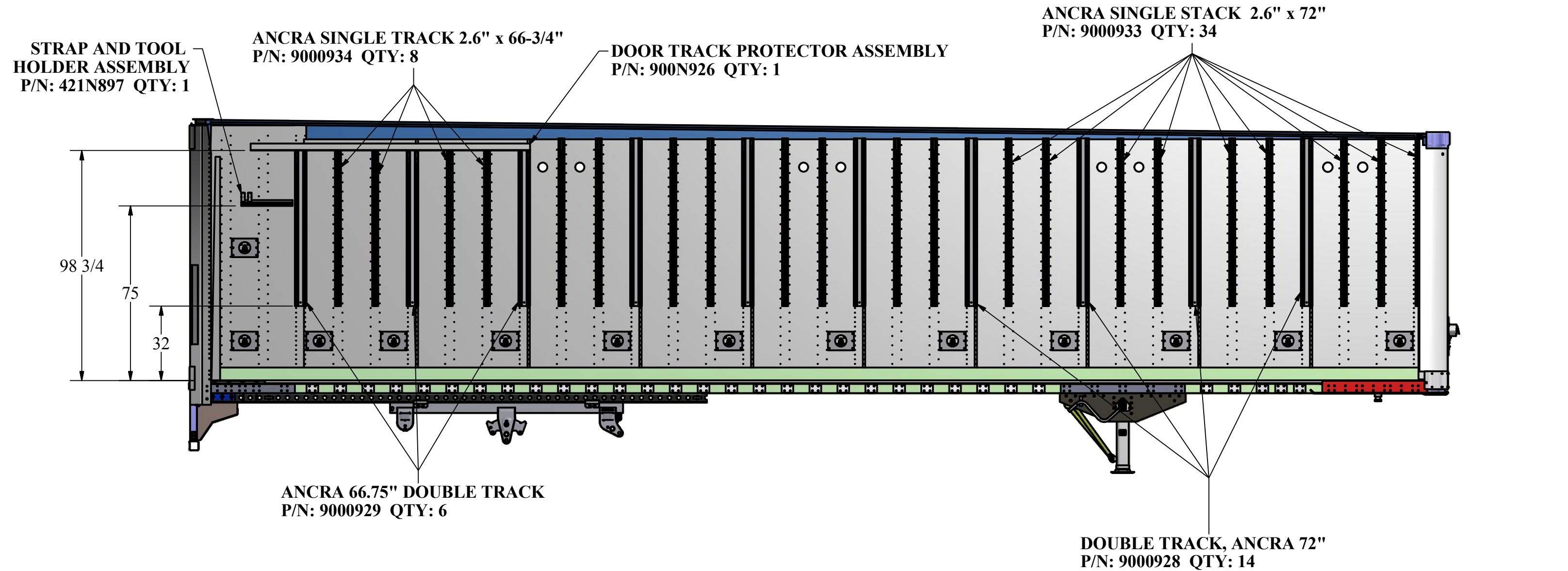
OPTIONAL FASTENERS
6000310 BOLT, 5/16"-18x1"
6100316 NYLOK NUT, 5/16"-18
6200312 FLAT WASHER 5/16"

700N286
SLIDER HOSE HANGER ASSEMBLY

ANCRA SAFE STACK
45', 48' & 53' CON-WAY
CITY SEMI TRAILERS



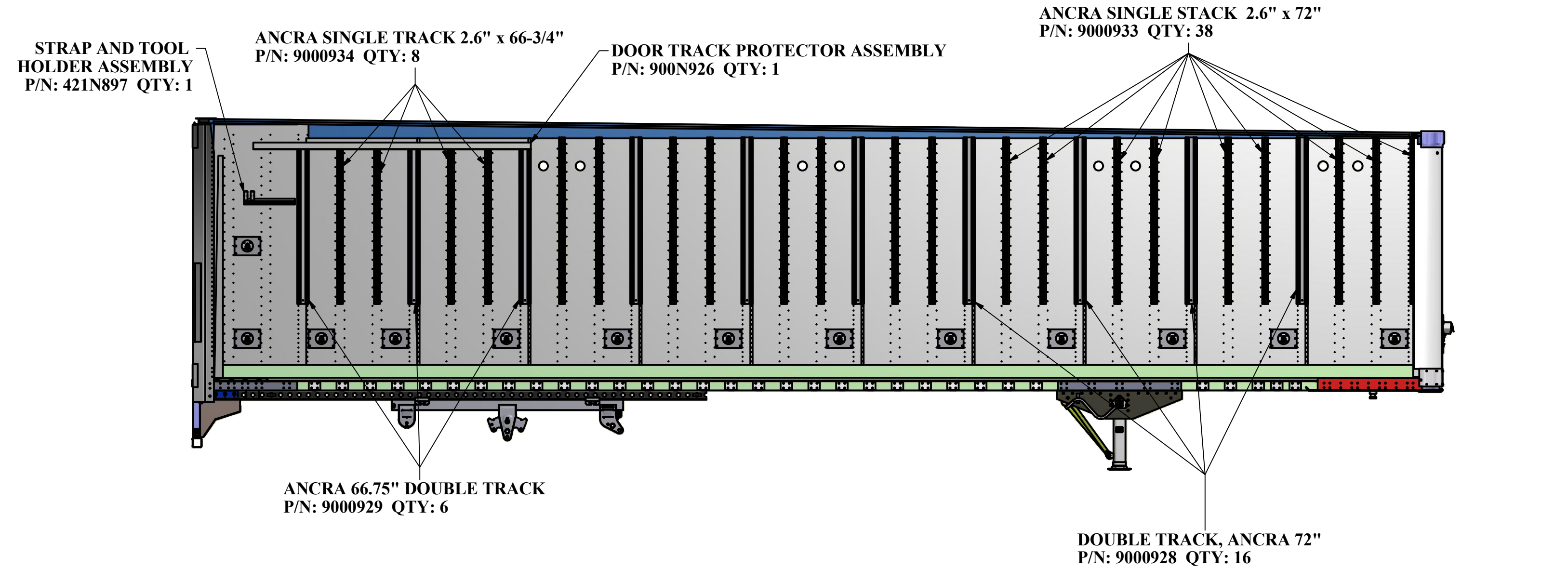
ANCRA SAFE STACK ASSEMBLY, CWF 45' TRAILER P/N: 421N906



PARTS NOT SHOWN

CARGO STRAP 2" x 16' (BLUE STENCILED)
P/N: 9000932 QTY: 8
TRIGGER RELEASE BAR
P/N: 9000930 QTY: 1

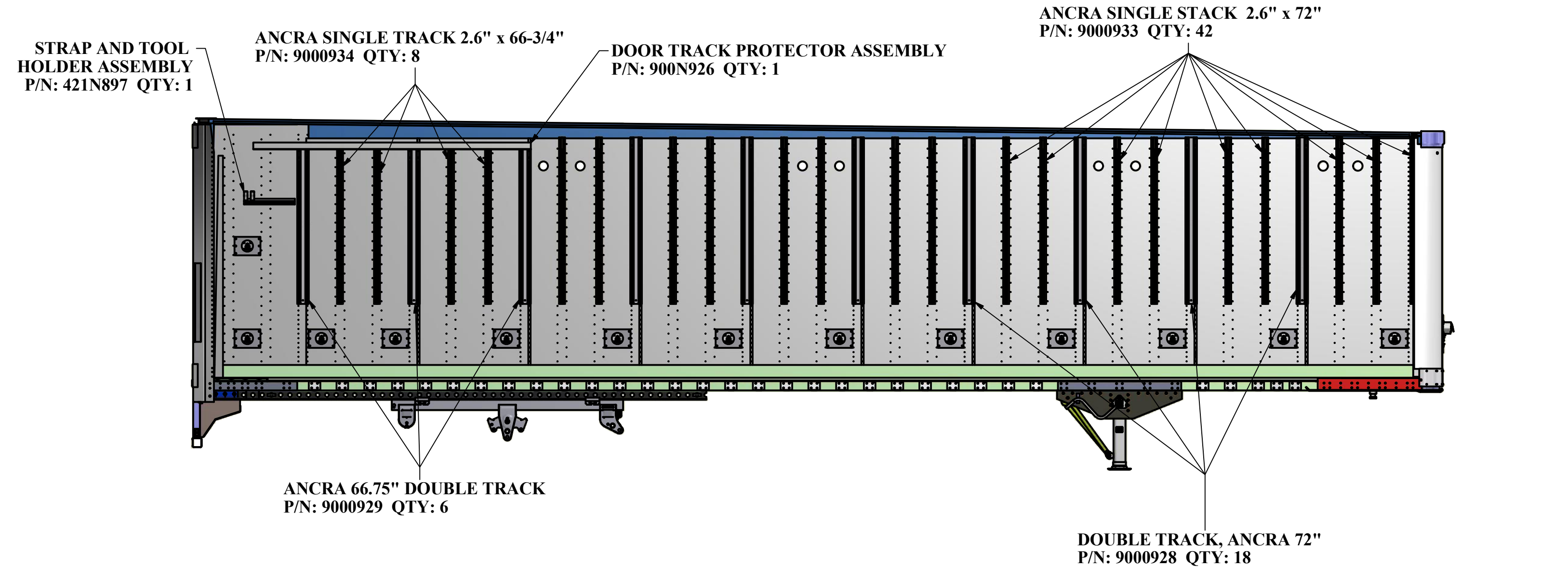
ANCRA SAFE STACK ASSEMBLY, CWF 48' TRAILER P/N: 421N913



PARTS NOT SHOWN

CARGO STRAP 2" x 16' (BLUE STENCILED)
P/N: 9000932 QTY: 8
TRIGGER RELEASE BAR
P/N: 9000930 QTY: 1

ANCRA SAFE STACK ASSEMBLY, CWF 53' TRAILER P/N: 421N908



PARTS NOT SHOWN

CARGO STRAP 2" x 16' (BLUE STENCILED)
P/N: 9000932 QTY: 8
TRIGGER RELEASE BAR
P/N: 9000930 QTY: 1

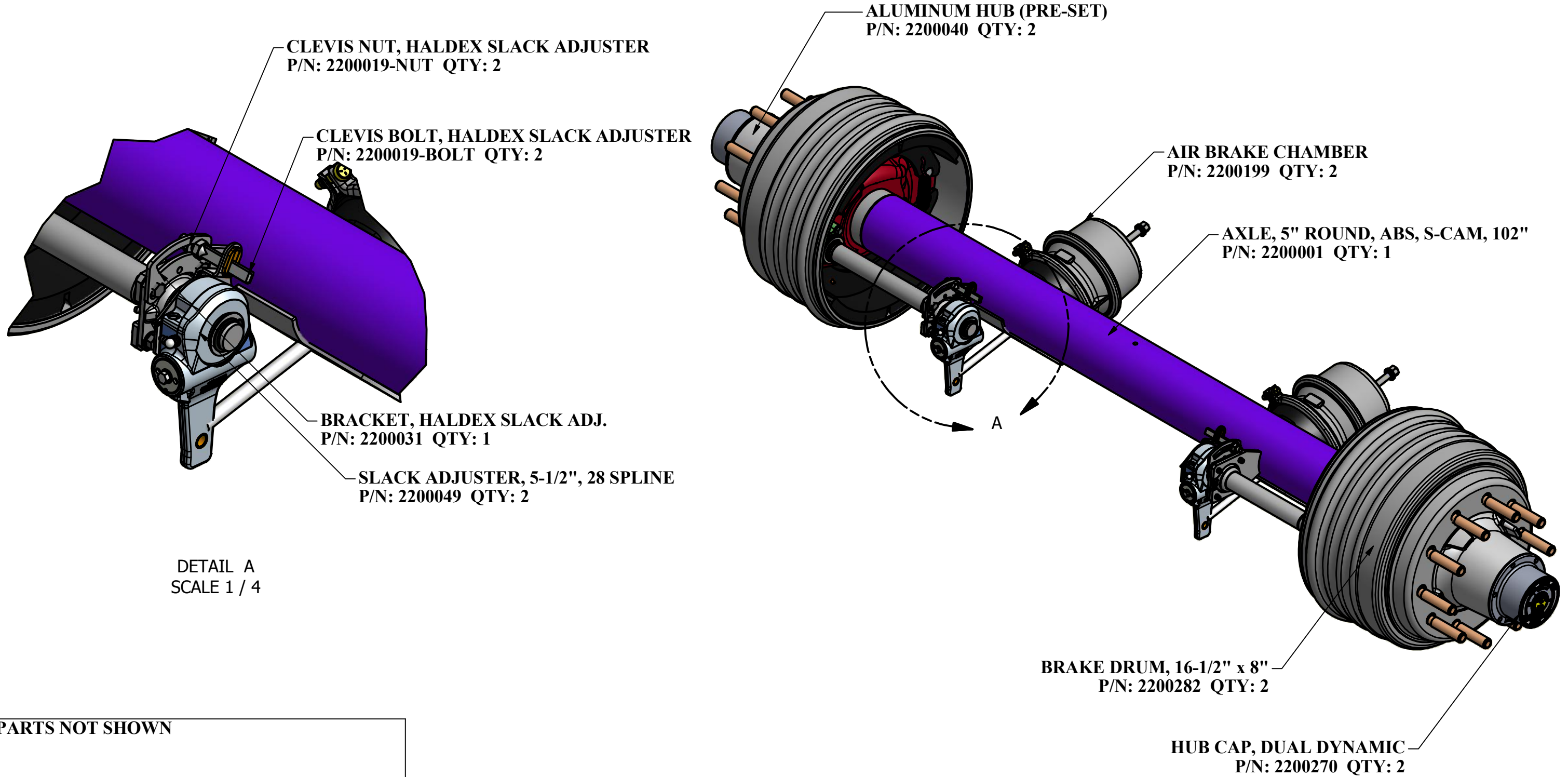
AXLE ASSEMBLY

45', 48' & 53' CON-WAY

CITY SEMI TRAILERS



AXLE ASSEMBLY, CWF 45', 48' & 53' TRAILERS P/N: 220M057



PARTS NOT SHOWN

BOLT, 5/16"-18 x 1"(GRADE 8 & PLATED)
P/N: 6000310 QTY: 12

WASHER, 5/16" LOCK PLATED
P/N: 6200313 QTY: 12

AXLE NUT, STEMCO
P/N: 9100203 QTY: 2

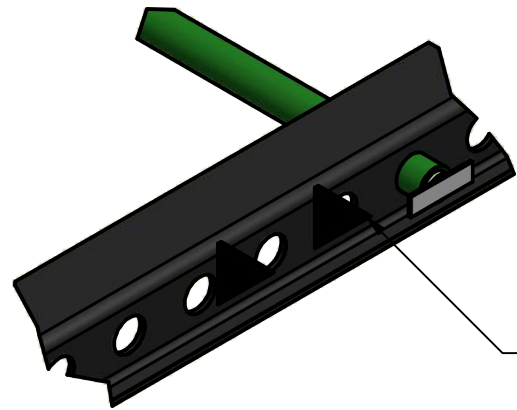
WHEEL NUT, GUARD ASSEMBLY
P/N: 240M282 QTY: 2

BOGIE ASSEMBLY

45', 48' & 53' CON-WAY CITY SEMI TRAILER

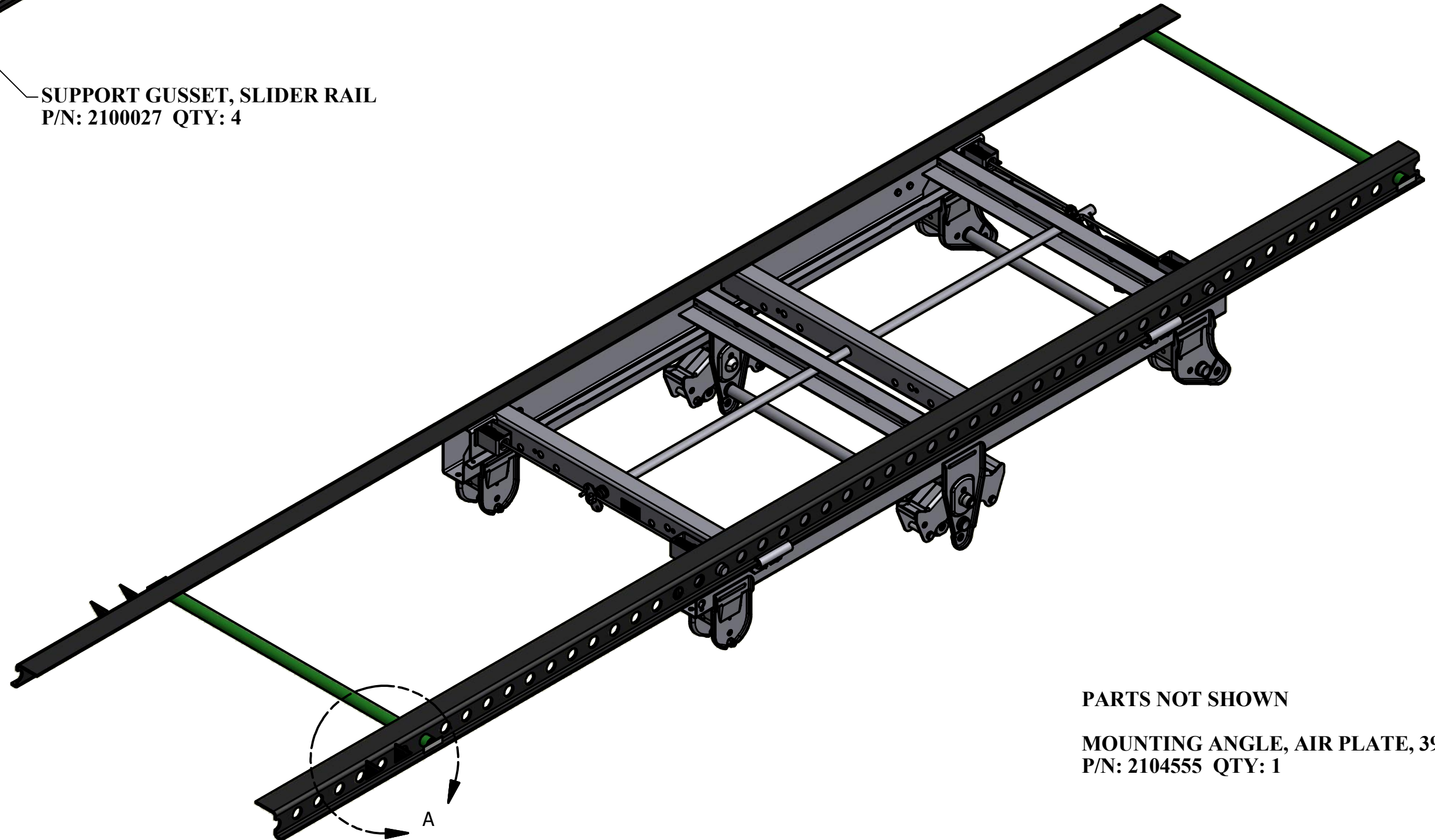


CWF SEMI BOGIE ASSEMBLY P/N: 210M483



SUPPORT GUSSET, SLIDER RAIL
P/N: 2100027 QTY: 4

DETAIL A
SCALE 0.13 : 1



PARTS NOT SHOWN

MOUNTING ANGLE, AIR PLATE, 39 7/8"
P/N: 2104555 QTY: 1

AIR TANK BRACKET ASSEMBLY (SEMI) P/N: 210N764

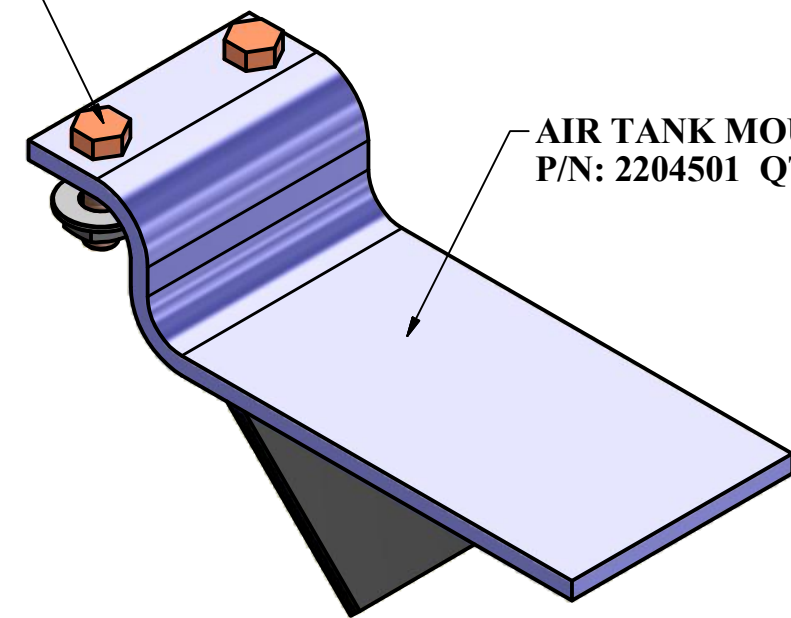
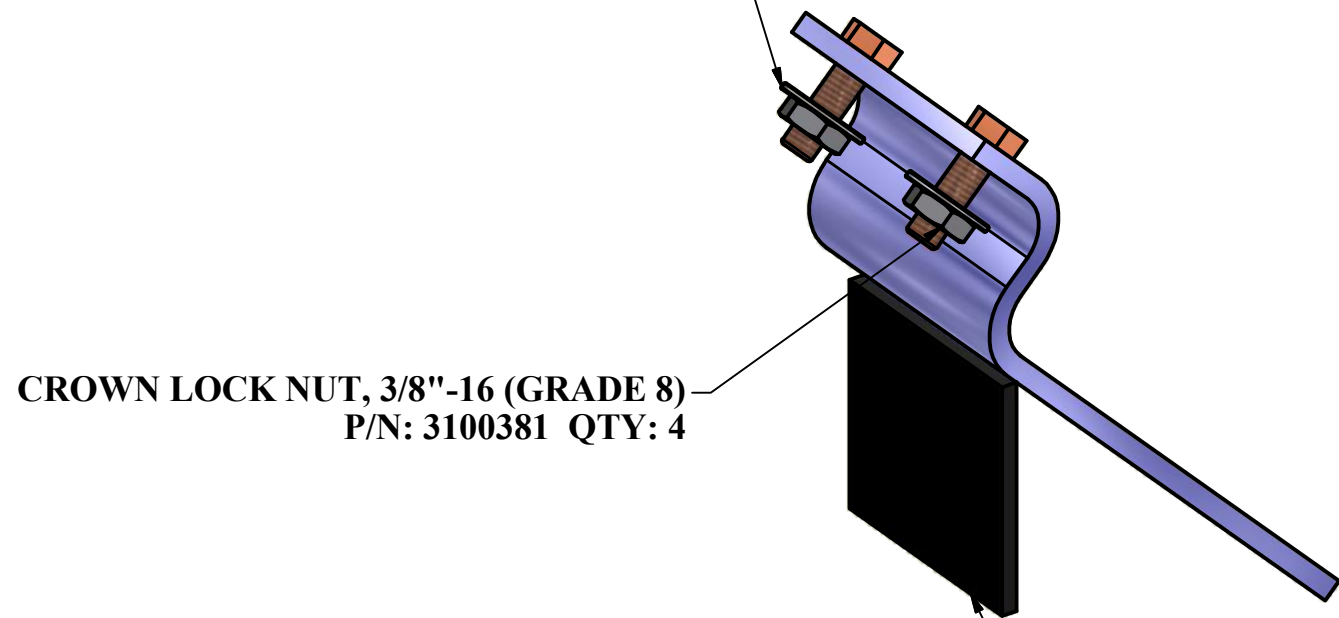
FLAT WASHER, 3/8" (USS PLATED)
P/N: 6200376 QTY: 8

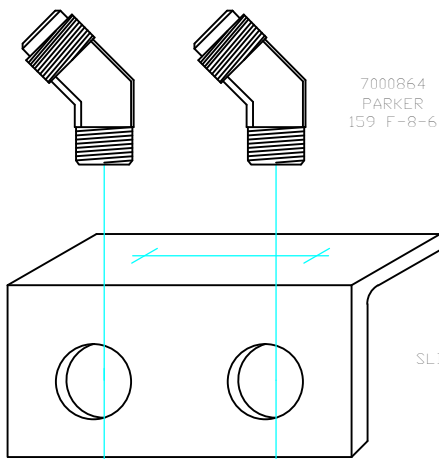
BOLT, 3/8"-16 x 1 1/4" (GRADE 8)
P/N: 6000375 QTY: 4

CROWN LOCK NUT, 3/8"-16 (GRADE 8)
P/N: 3100381 QTY: 4

AIR TANK MOUNTING BRACKET
P/N: 2204501 QTY: 2

GUSSET
P/N: 2201657 QTY: 2





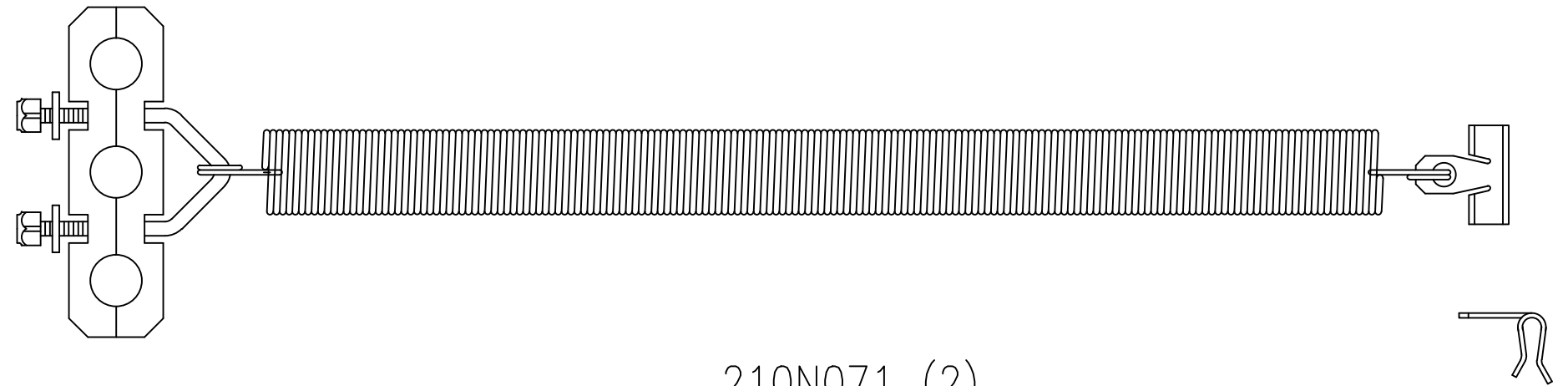
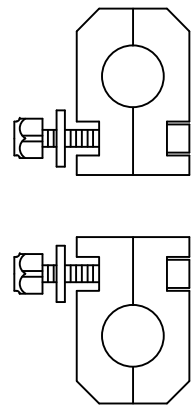
7000864
PARKER
159 F-8-6

2104521 (1)
SLIDER HOSE ANGLE

7045035 (2)
PARKER
66NTA-6-6

OPTIONAL FASTENERS
6000310 BOLT, 5/16"-18x1"
6100316 NYLON NUT, 5/16"-18
6200312 FLAT WASHER 5/16"

700N286
SLIDER HOSE HANGER ASSEMBLY



CUT HOLDER INTO TWO PIECES

USE TO HOLD AIR BRAKE LINES ON DOLLY DRAWBARS

210N071 (2)

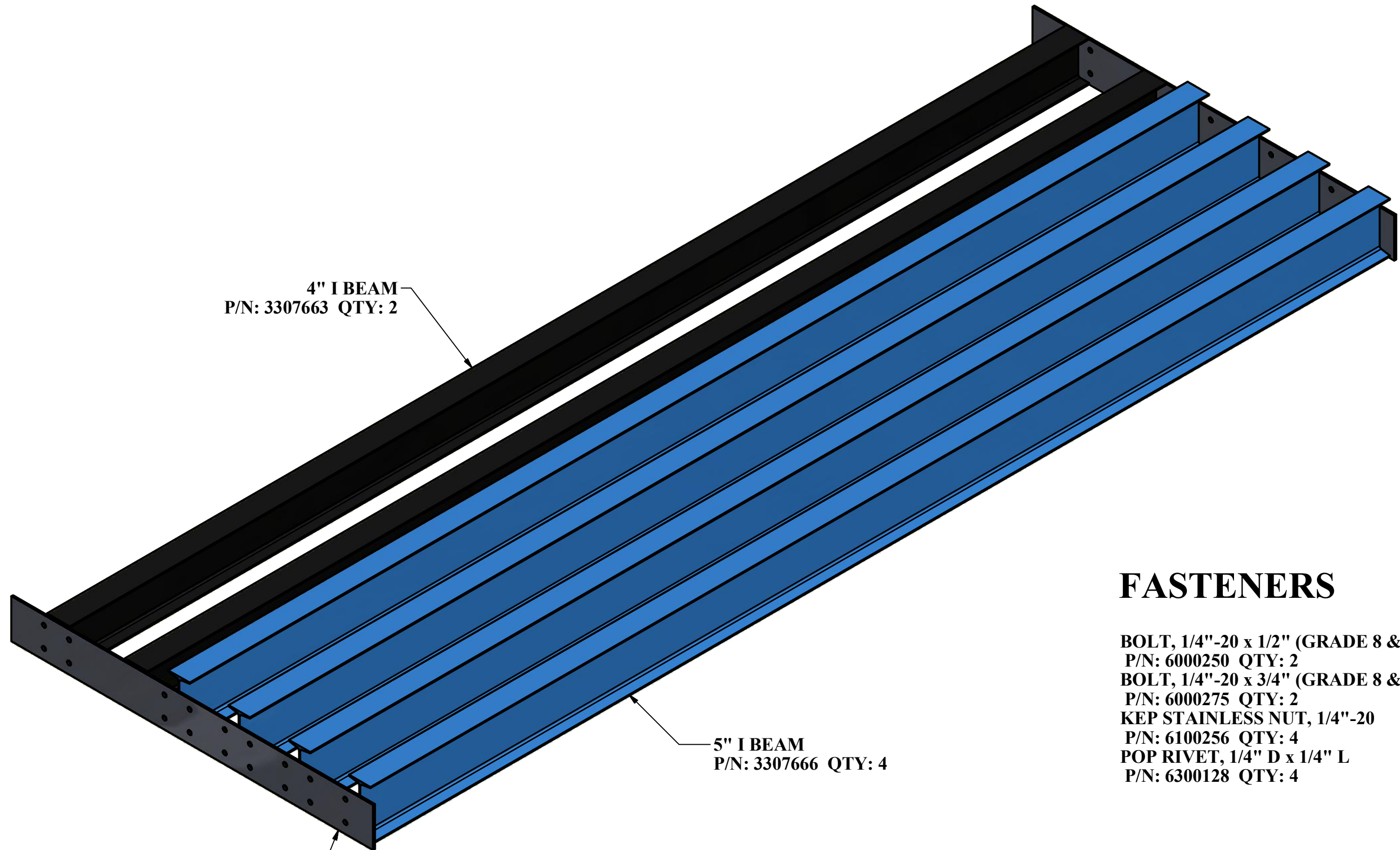
SPRING SLIDER HOSE SUPPORT

BOGIE SUB-FRAME ASSEMBLY

45', 48' & 53' CON-WAY CITY SEMI TRAILER



BOGIE SUB FRAME, CWF 45', 48' & 53' TRAILERS P/N: 330M014



4" I BEAM
P/N: 3307663 QTY: 2

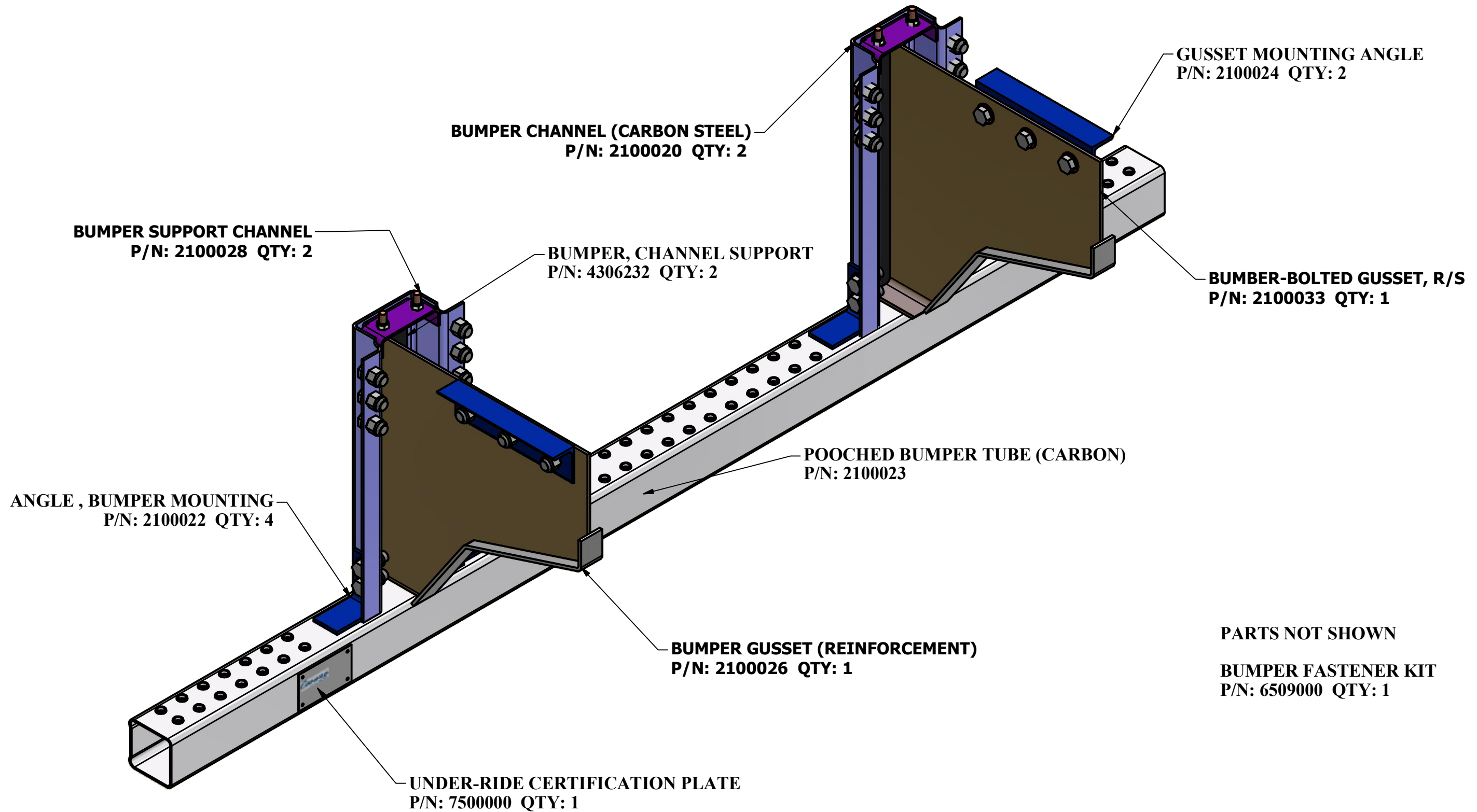
5" I BEAM
P/N: 3307666 QTY: 4

SIDE PLATE
P/N: 2100025 QTY: 2

FASTENERS

BOLT, 1/4"-20 x 1/2" (GRADE 8 & PLATED)
P/N: 6000250 QTY: 2
BOLT, 1/4"-20 x 3/4" (GRADE 8 & PLATED)
P/N: 6000275 QTY: 2
KEP STAINLESS NUT, 1/4"-20
P/N: 6100256 QTY: 4
POP RIVET, 1/4" D x 1/4" L
P/N: 6300128 QTY: 4

BOLT-ON CARBON STEEL BUMPER P/N: 210N101



BUMPER STEP J STEP L/H ASSEMBLY, CWF 28', 33', 45', 48' & 53' TRAILERS PN: 210N081

J-STYLE LEFT HAND STEP PN: 2100374 QTY: 1

3/8"-16 GRADE 8 BOLT PN: 6000375 QTY: 2

3/8"-16 GRADE 8 CROWN LOCK NUT PN: 6100381 QTY: 2

3/8" FLAT SAE PLATED WASHER PN: 6200378 QTY: 4

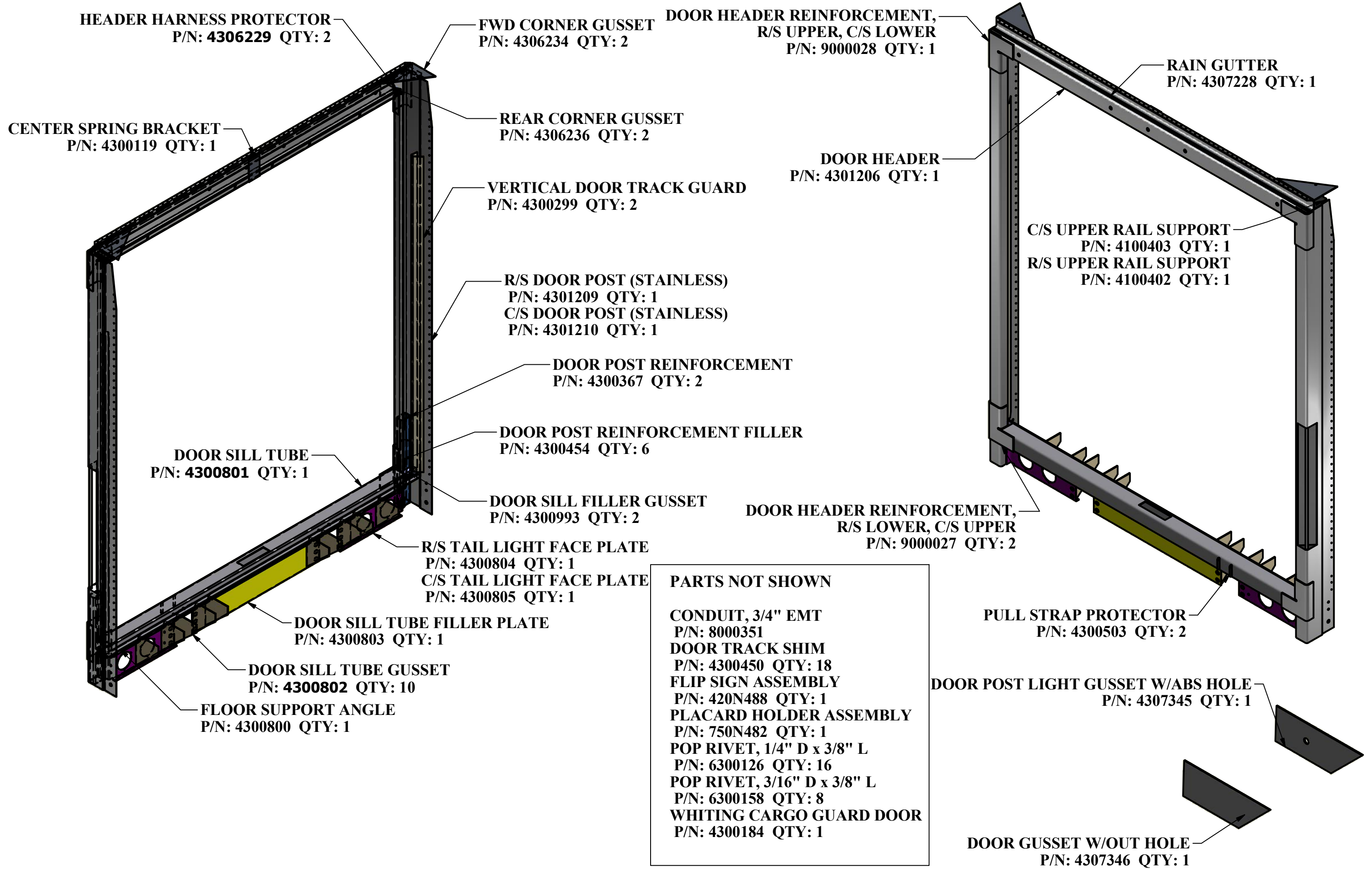


DOOR & FRAME ASSEMBLY

45', 48' & 53' CON-WAY CITY SEMI TRAILER



DOOR & FRAME ASSEMBLY, CWF 45', 48' & 53' TRAILERS P/N: 500M068 QTY: 1



- PARTS NOT SHOWN**
- CONDUIT, 3/4" EMT
P/N: 8000351
 - DOOR TRACK SHIM
P/N: 4300450 QTY: 18
 - FLIP SIGN ASSEMBLY
P/N: 420N488 QTY: 1
 - PLACARD HOLDER ASSEMBLY
P/N: 750N482 QTY: 1
 - POP RIVET, 1/4" D x 3/8" L
P/N: 6300126 QTY: 16
 - POP RIVET, 3/16" D x 3/8" L
P/N: 6300158 QTY: 8
 - WHITING CARGO GUARD DOOR
P/N: 4300184 QTY: 1

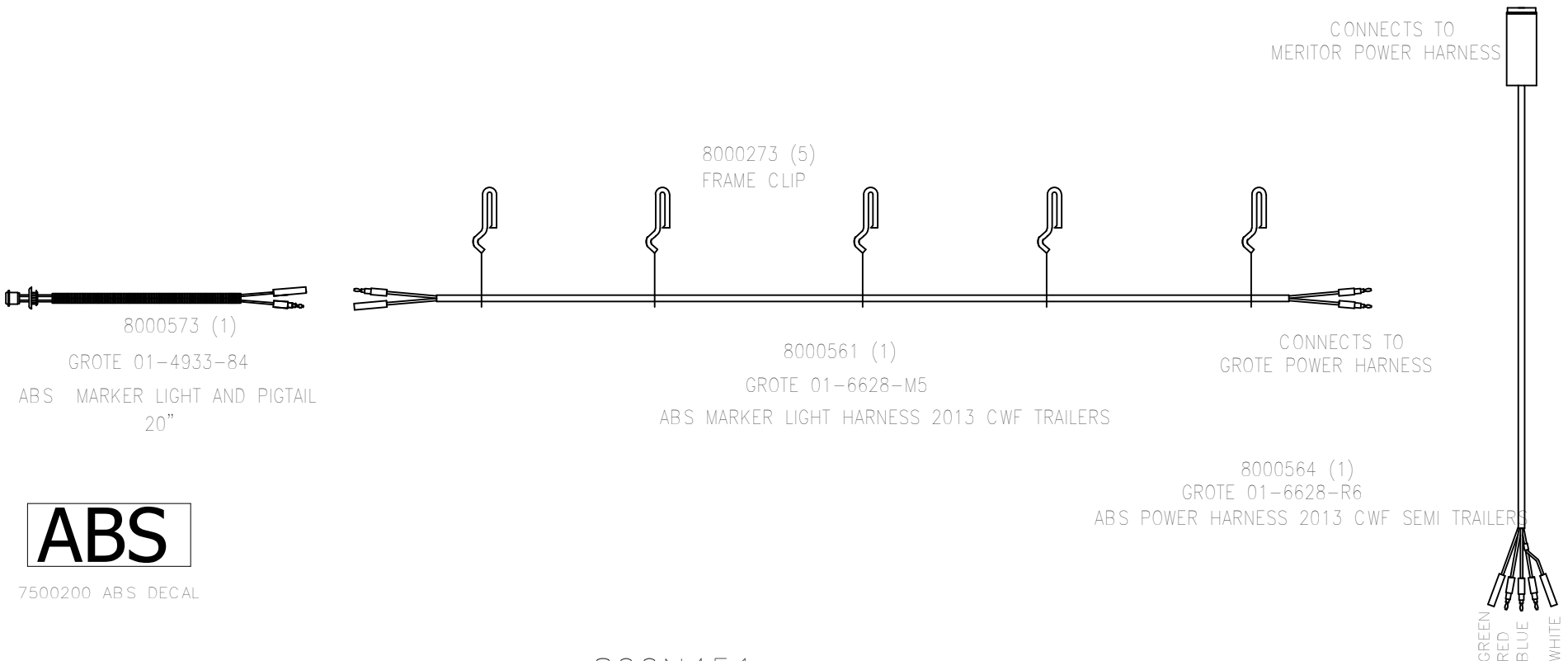
ELECTRICAL
45', 48' & 53' CON-WAY
CITY SEMI TRAILERS



ELECTRICAL ASSEMBLY 45' CITY SEMI TRAILER



REVISION HISTORY			
A	DELETE 3300032 ABS LIGHT GUSSET	A.BEALS	4/2/2014

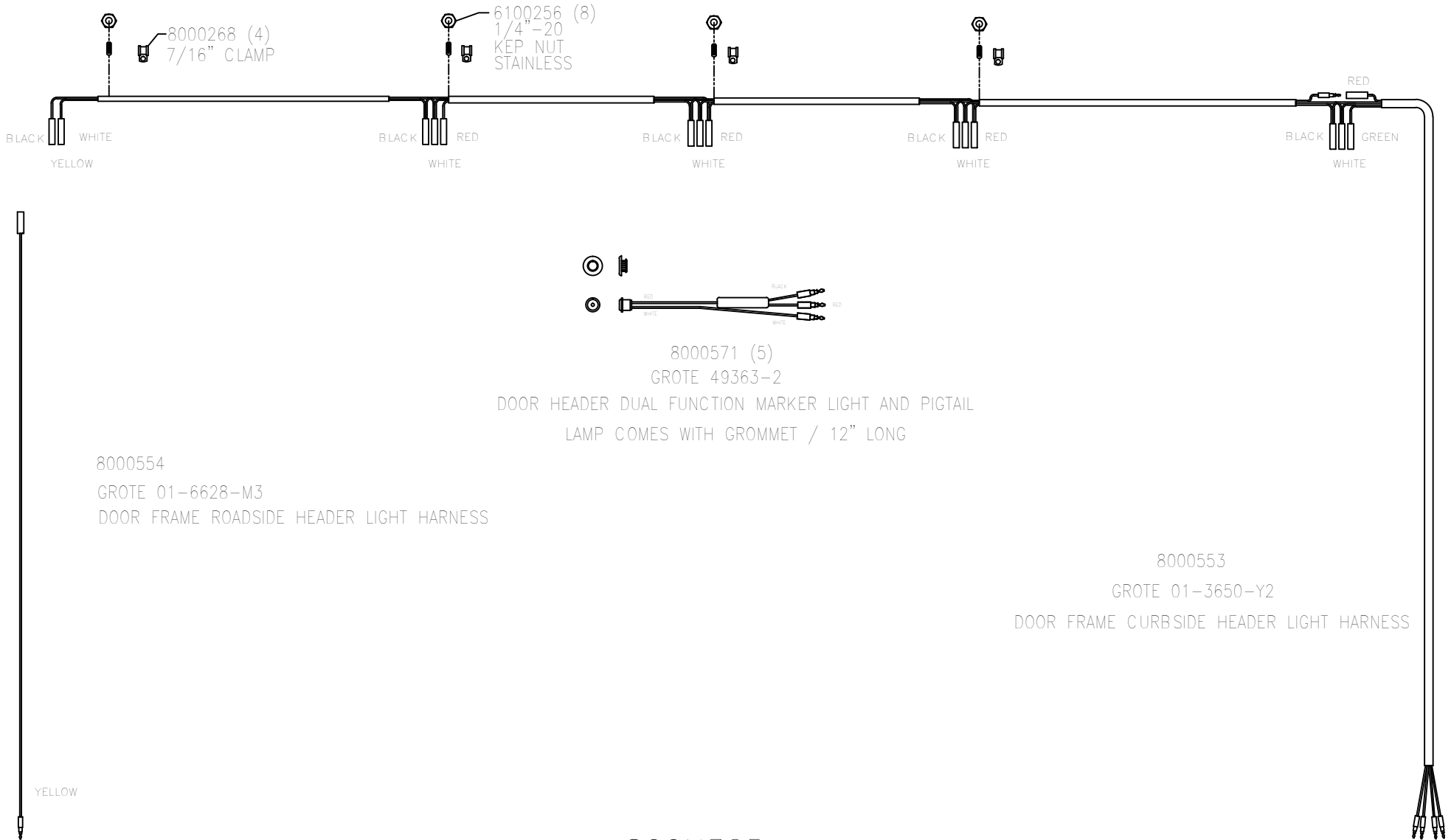


7500200 ABS DECAL

800N451

ABS LIGHT ASSEMBLY 2013 – 2014 CWF TRAILERS

NOTE: STUDS ARE IN THE DOOR FRAME ASSEMBLY



8000268 (4)
7/16" CLAMP

6100256 (8)
1/4"-20
KEP NUT
STAINLESS

BLACK WHITE
YELLOW

BLACK RED
WHITE

BLACK RED
WHITE

BLACK RED
WHITE

RED
BLACK GREEN
WHITE



8000571 (5)
GROTE 49363-2

DOOR HEADER DUAL FUNCTION MARKER LIGHT AND PIGTAIL
LAMP COMES WITH GROMMET / 12" LONG

8000554
GROTE 01-6628-M3
DOOR FRAME ROADSIDE HEADER LIGHT HARNESS

8000553
GROTE 01-3650-Y2
DOOR FRAME CURBSIDE HEADER LIGHT HARNESS

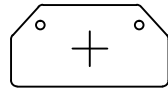
YELLOW

800N325
DOOR HEADER ELECTRICAL ASSEMBLY
CWF 2013 & 2014 TRAILERS

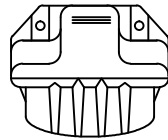
PART NOT SHOWN

CABLE TIE (BLACK)
P/N: 8000931 QTY: 8

GASKET



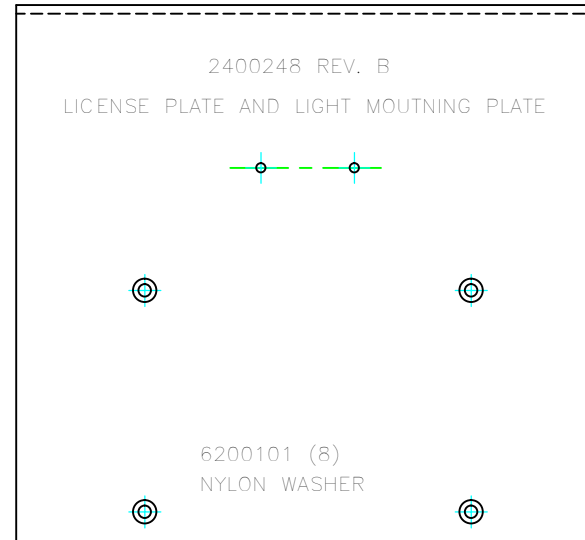
BRACKET



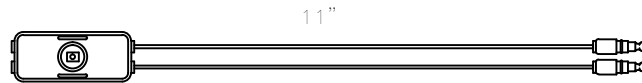
6000238 (2)
MACHINE SCREW



6100238 (2)
NUT



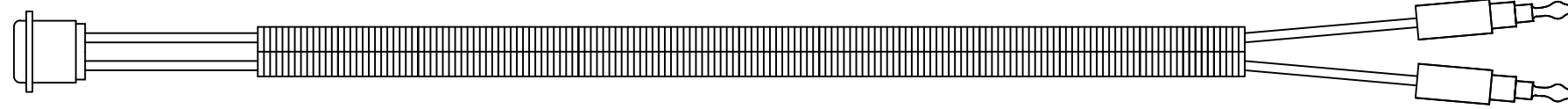
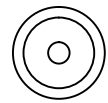
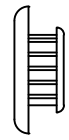
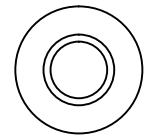
80000574 (1)
LED LIGHT
GROTE 01-6067-82



11"

PART NUMBER 8000574 INCLUDES THE LIGHT, BRACKET AND GASKET

800N331
LICENSE LIGHT ASSEMBLY
LIFT GATE TRAILER

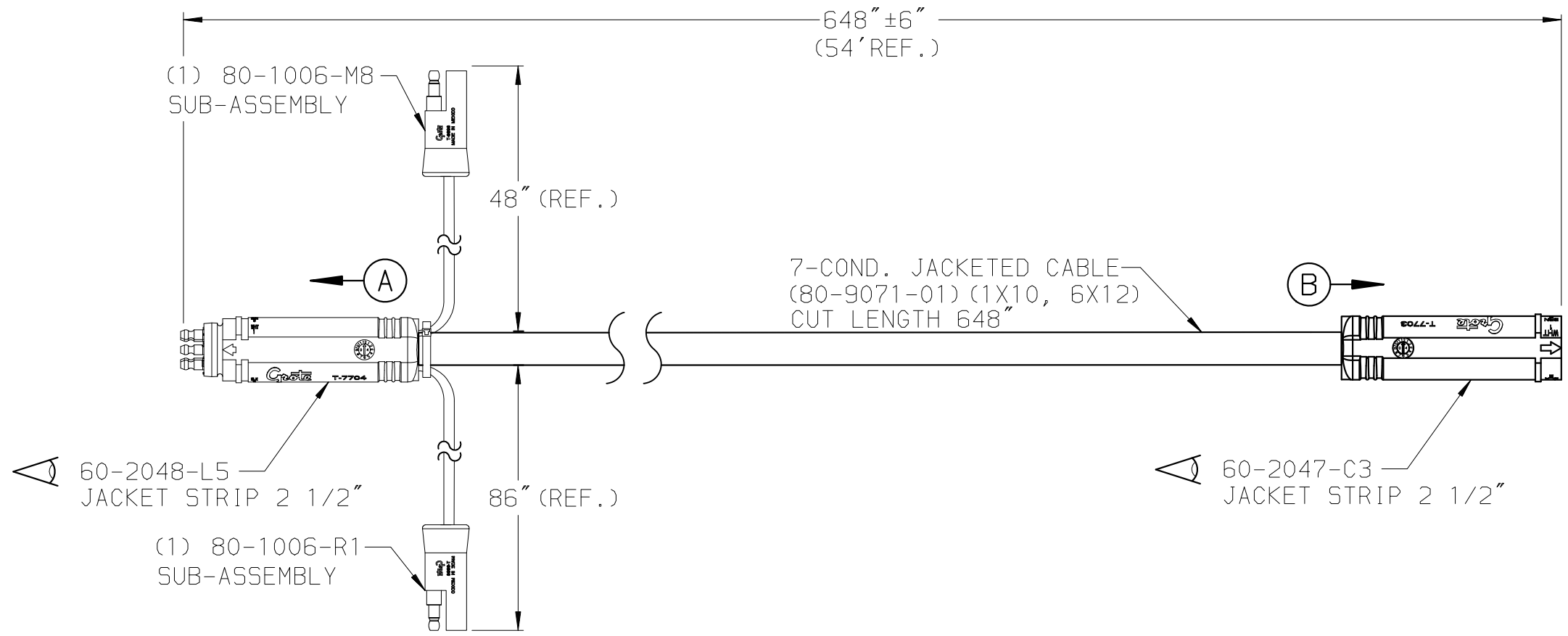


8000570
GROTE 01-4933-86
LOWER REAR MARKER LIGHT AND PIGTAIL
20"

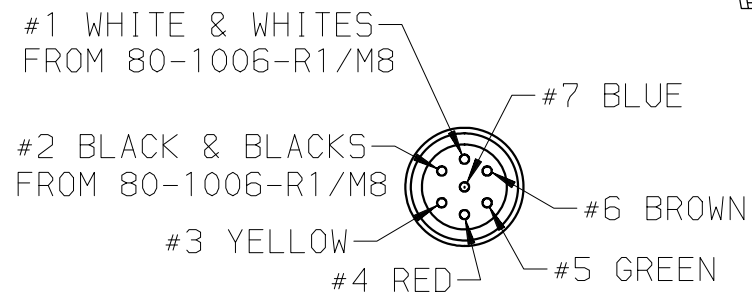
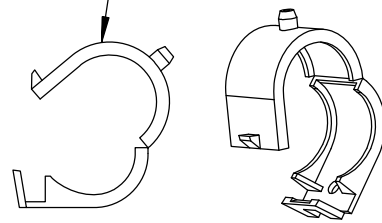
800N326

Note: Printed Copy is UNCONTROLLED.

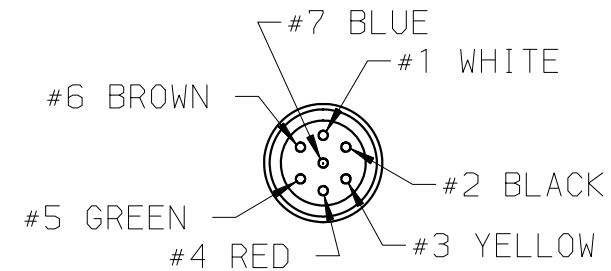
GREASE RECEPTACLES (36-0600-05)



10-7102-01 CLAMP (ASSEMBLE TO 60-2048-01 PLUG) (2 PLACES)



OPERATOR LOAD VIEW "A"
(IN DIRECTION OF ARROW)



OPERATOR LOAD VIEW "B"
(IN DIRECTION OF ARROW)

REV	DESCRIPTION	ENG APP'L	ECO NO. AND DATE
A	ISSUED		557271 11-16-12
CVL			

TECHNICAL INFORMATION DISCLOSED HEREIN IS THE CONFIDENTIAL PROPERTY OF GROTE INDUSTRIES, INC. AND IS ISSUED IN CONFIDENCE FOR ENGINEERING INFORMATION ONLY. IT MAY NOT BE REPRODUCED OR USED IN ANY WAY WITHOUT EXPRESS WRITTEN LICENSE FROM GROTE INDUSTRIES, INC.

GCC DENOTES GROTE CONTROL CHARACTERISTIC

THIRD ANGLE PROJECTION

DR. BY: C.VAZQUEZ	SCALE: NONE	UNITS: IN
DATE: 11-16-12	DO NOT SCALE DRAWING	
MATERIAL NO.	CHECKED BY:	

MAT'L DESCRIPTION
NOTED

TITLE
7 COND, MAIN HARNESS
DOUBLES TRAILER

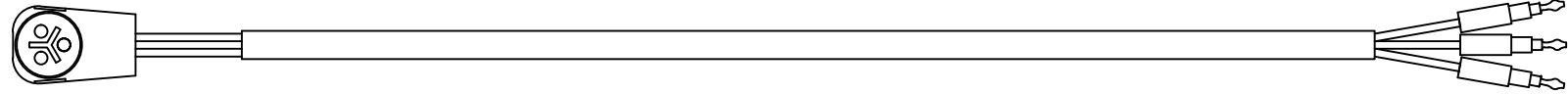
Grote GROTE INDUSTRIES, LLC
MADISON, INDIANA U.S.A.

SIZE	PART/DWG NO.	REV.	SHT #
B	01-6609-P2	A	1 OF 1

SYSTEM/REV.	PROJECT #:
MEDUSA 4	7612
	3D DATA: NO

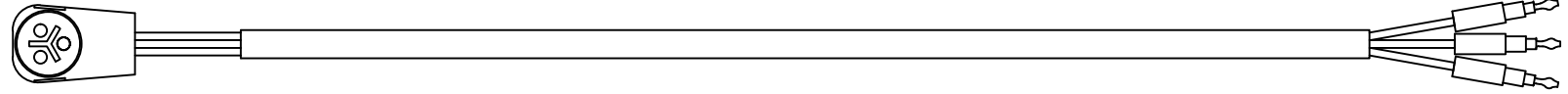
8000273 (6)
FRAME CLIP

492"



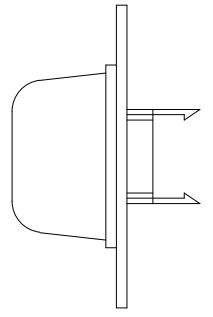
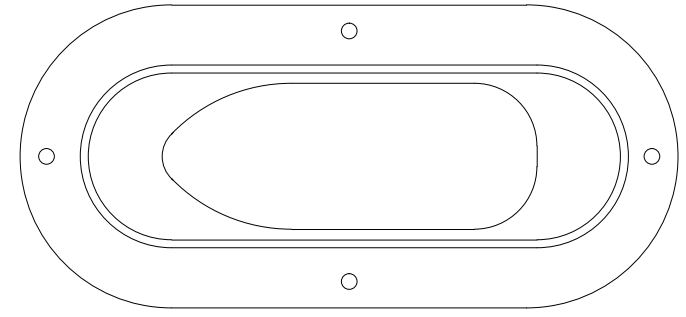
8004510
GROTE 01-6682-A7
MID-TURN HARNESS ROADSIDE
2013 CWF 48' & 53' TRAILERS

306"

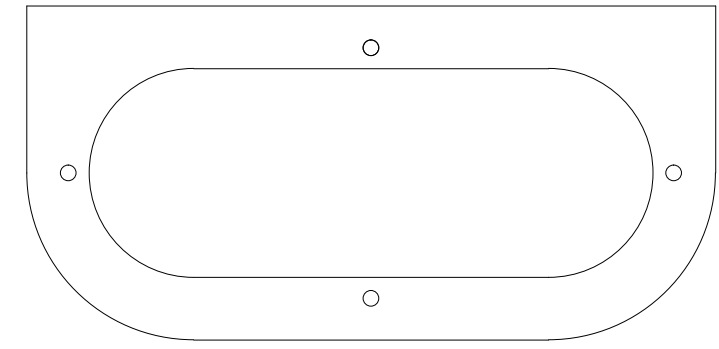


8004509
GROTE 01-6682-A4
MID-TURN HARNESS CURBSIDE

6300126 (2) 3/16" D x 3/8" L POP RIVET
6300153 (2) 3/16" D x 1/4" L MAGNA POP RIVET



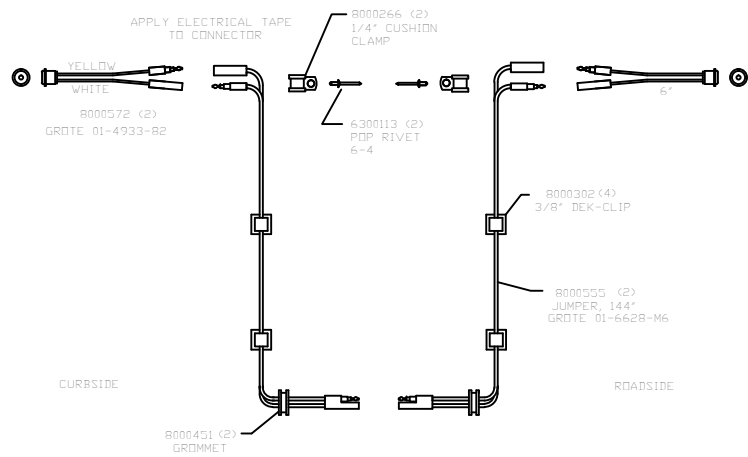
8000132
GROTE 54223
MID-TURN LIGHT



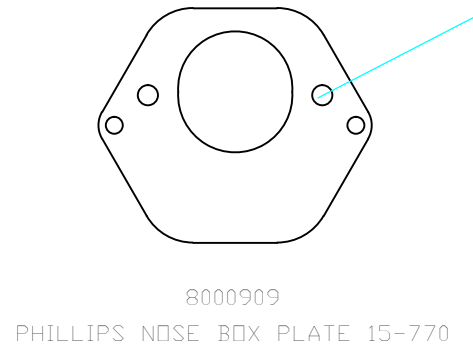
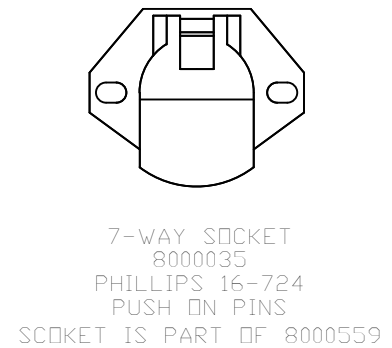
8000064
GROTE 43362-3
BRACKET MID-TURN LIGHT

800N450

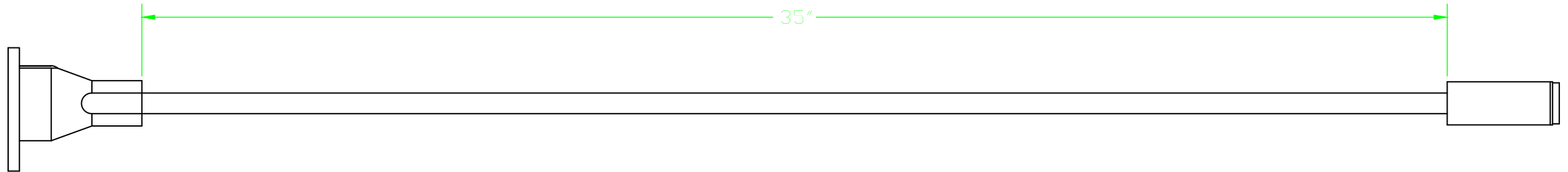
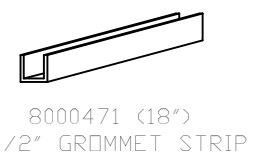
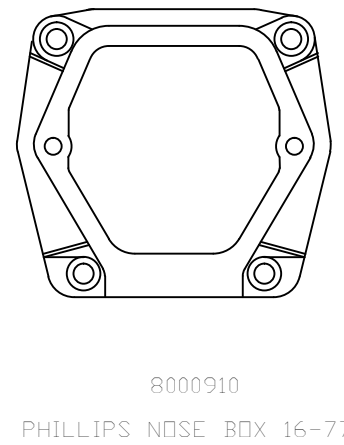
MID-TURN LIGHT ASSEMBLY



800N322 - FORWARD WALL LIGHT ASSEMBLY
CWF 2013 / 2014 TRAILERS

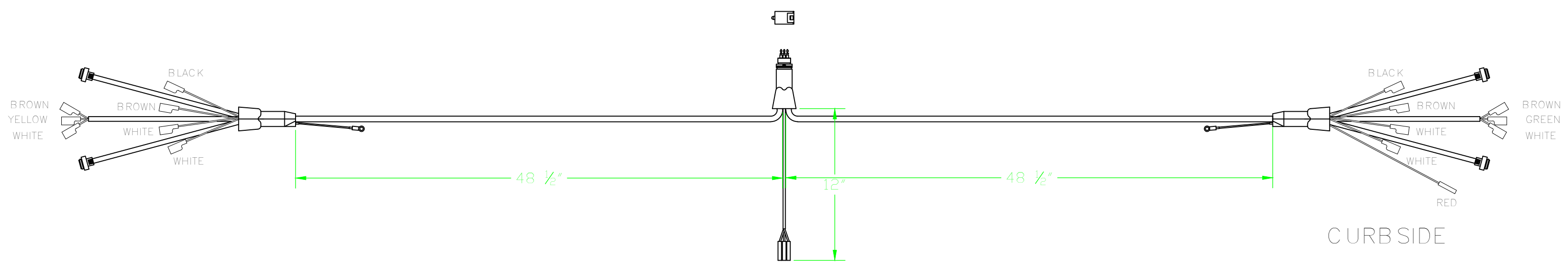


- 6000310 (2)
- 5/16"-18 x 1" BOLT
- 6100316 (2)
- 5/16"-18 NYLOK NUT
- 6200317 (2)
- 5/16" FLAT WASHER



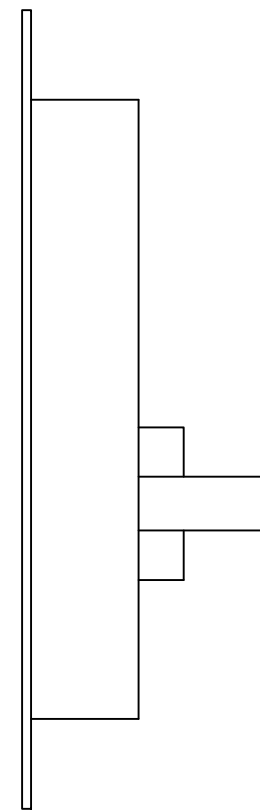
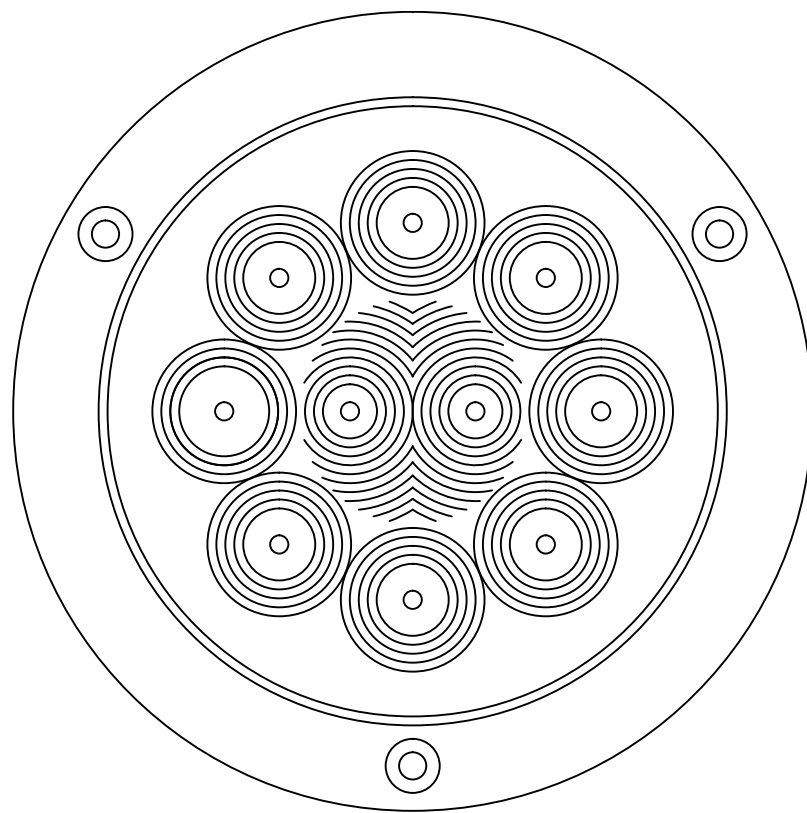
8000559
7-WAY SOCKET AND HARNESS - FRONT
PHILLIPS 70-7171-035
PUSH ON PINS
WITH CLAMP AND SOCKET

800N323
7-WAY ASSEMBLY - FORWARD WALL



8000550
GROTE 01-6761-G1
REAR SILL HARNESS 2013 CWF TRAILERS

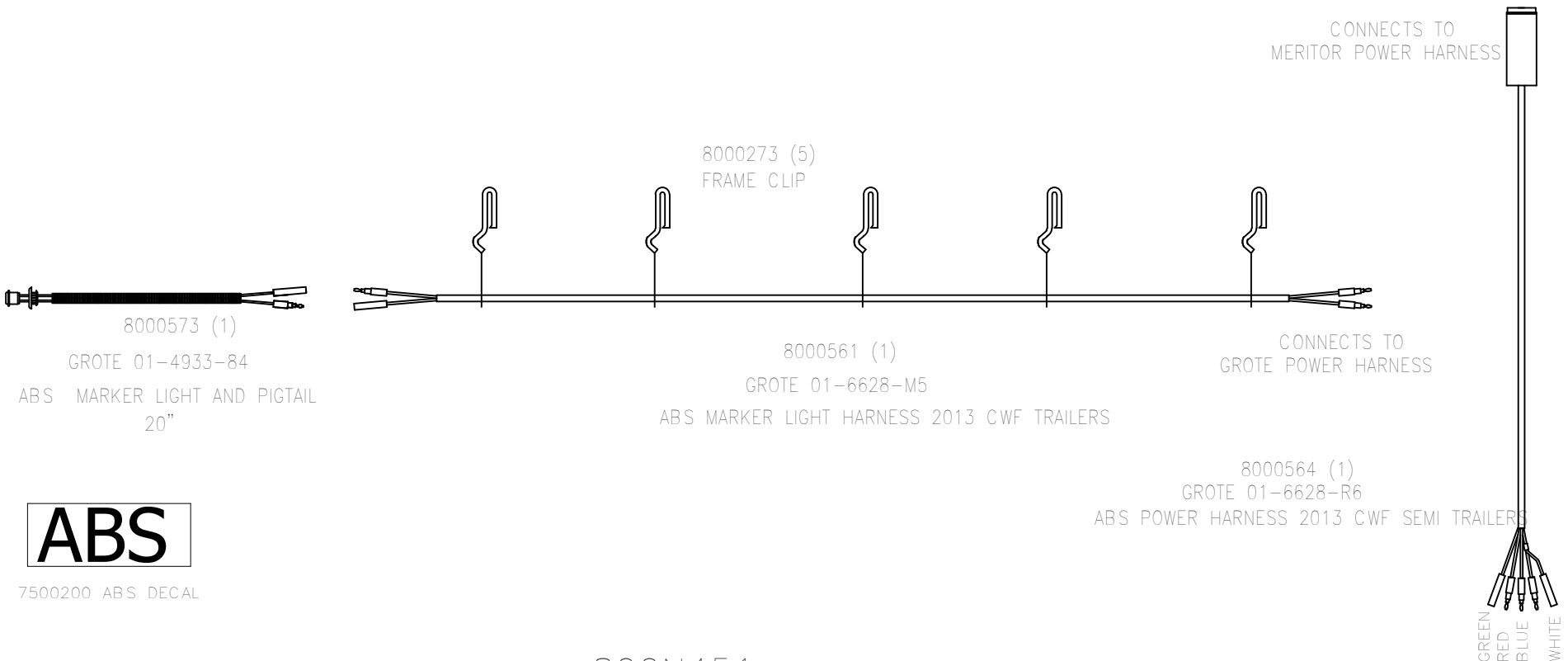
6300119 (12) POP RIVET



8000575 (4)
GROTE 01-5462-23
TAIL LIGHT - LED

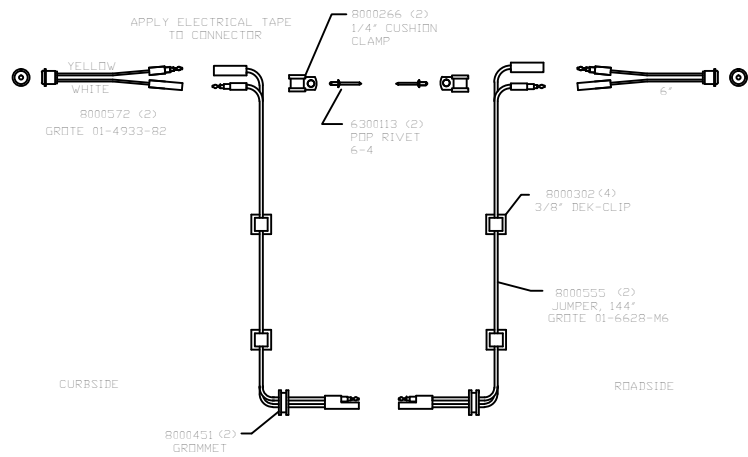
800N327 TAIL LIGHT
ASSEMBLY

REVISION HISTORY			
A	DELETE 3300032 ABS LIGHT GUSSET	A.BEALS	4/2/2014

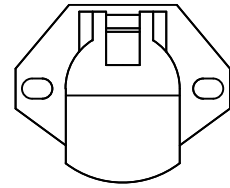


7500200 ABS DECAL

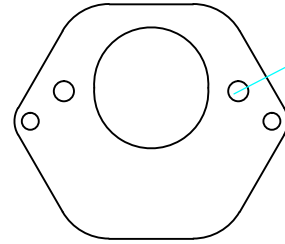
800N451
ABS LIGHT ASSEMBLY 2013 – 2014 CWF TRAILERS



800N322 - FORWARD WALL LIGHT ASSEMBLY
CWF 2013 / 2014 TRAILERS

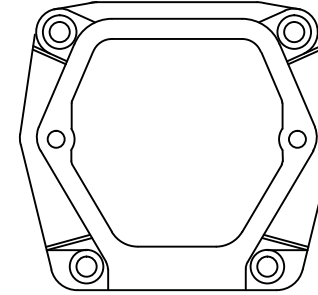


7-WAY SOCKET
8000035
PHILLIPS 16-724
PUSH ON PINS
SOCKET IS PART OF 8000559



8000909
PHILLIPS NOSE BOX PLATE 15-770

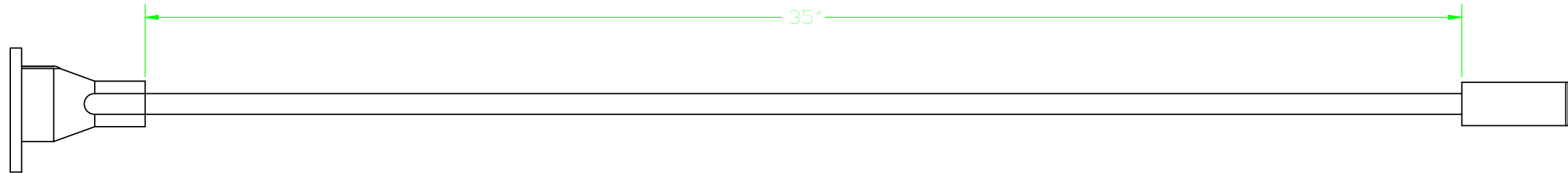
- 6000310 (2)
- 5/16"-18 x 1" BOLT
- 6100316 (2)
- 5/16"-18 NYLOK NUT
- 6200317 (2)
- 5/16" FLAT WASHER



8000910
PHILLIPS NOSE BOX 16-775



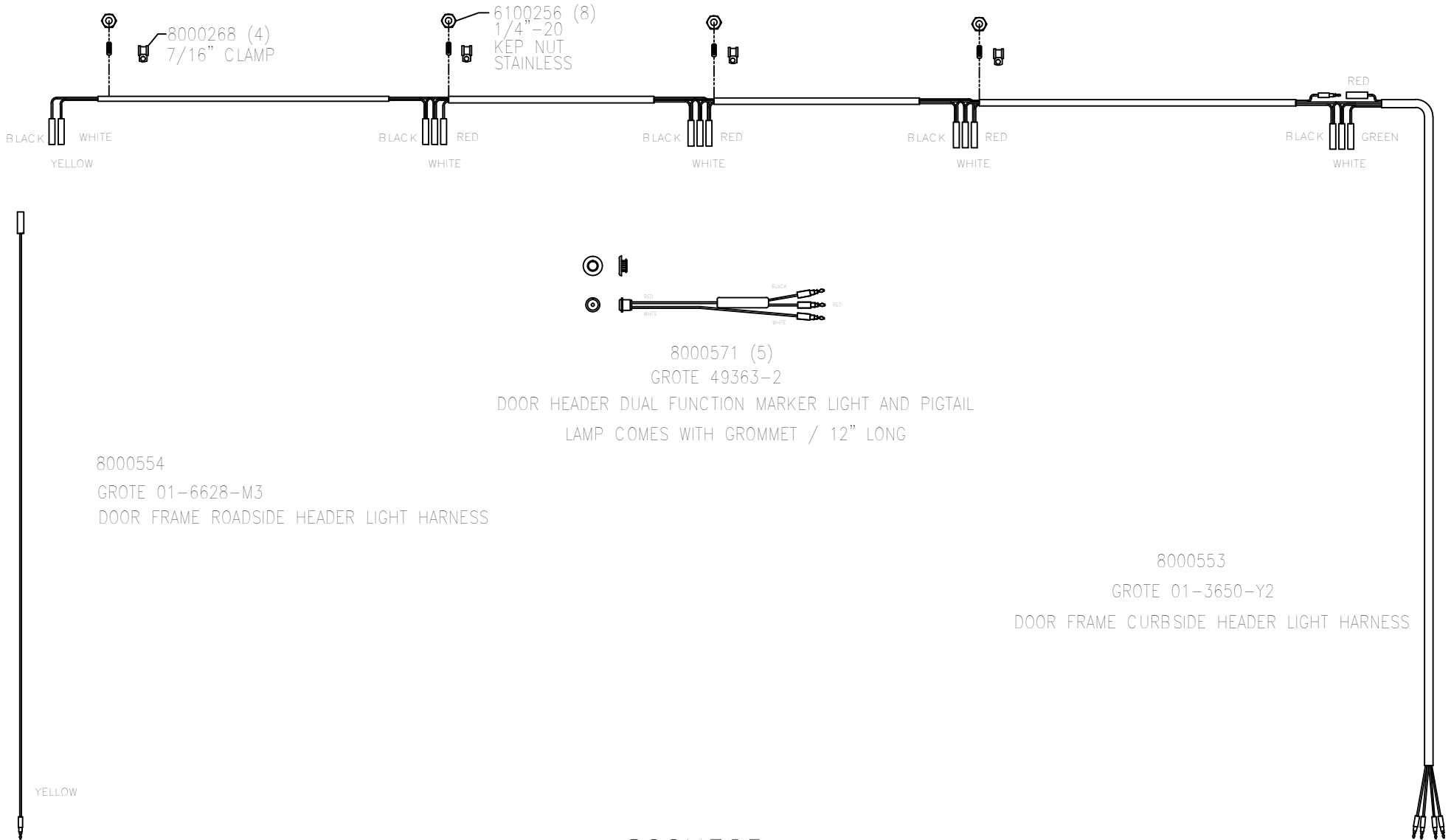
8000471 (18")
1/2" GROMMET STRIP



8000559
7-WAY SOCKET AND HARNESS - FRONT
PHILLIPS 70-7171-035
PUSH ON PINS
WITH CLAMP AND SOCKET

800N323
7-WAY ASSEMBLY - FORWARD WALL

NOTE: STUDS ARE IN THE DOOR FRAME ASSEMBLY



8000268 (4)
7/16" CLAMP

6100256 (8)
1/4"-20
KEP NUT
STAINLESS

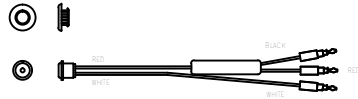
BLACK WHITE
YELLOW

BLACK RED
WHITE

BLACK RED
WHITE

BLACK RED
WHITE

RED
BLACK GREEN
WHITE



8000571 (5)
GROTE 49363-2

DOOR HEADER DUAL FUNCTION MARKER LIGHT AND PIGTAIL
LAMP COMES WITH GROMMET / 12" LONG

8000554
GROTE 01-6628-M3
DOOR FRAME ROADSIDE HEADER LIGHT HARNESS

8000553
GROTE 01-3650-Y2
DOOR FRAME CURBSIDE HEADER LIGHT HARNESS

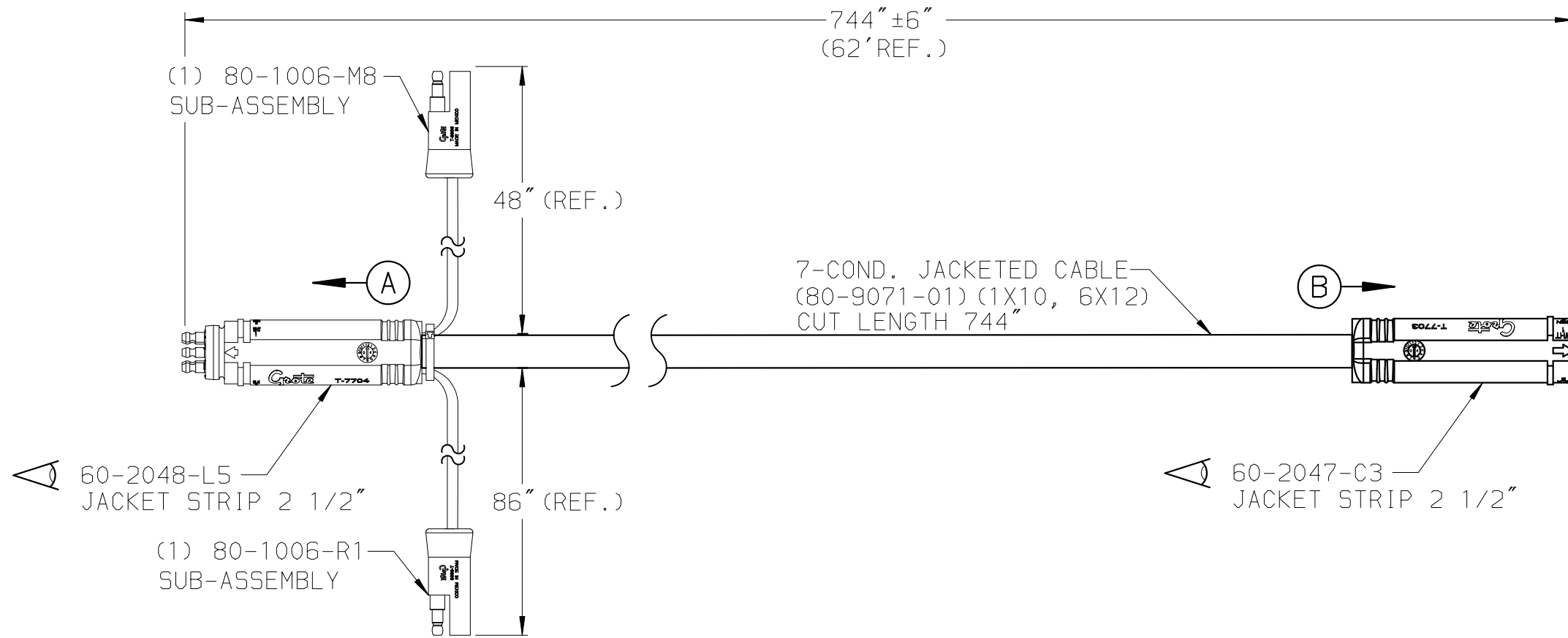
YELLOW

800N325
DOOR HEADER ELECTRICAL ASSEMBLY
CWF 2013 & 2014 TRAILERS

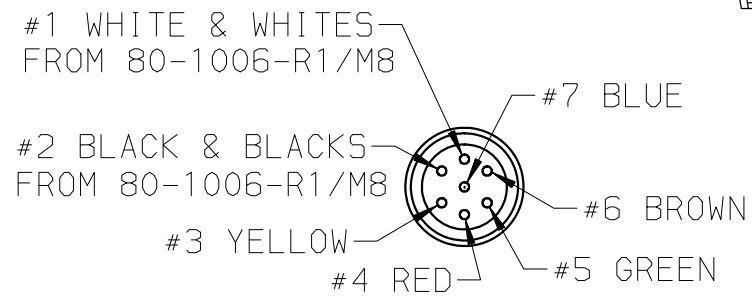
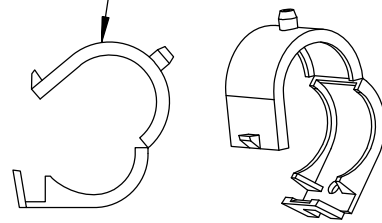
PARTS NOT SHOWN
CABLE TIE (BLACK)
P/N: 8000931 QTY: 8

Note: Printed Copy is UNCONTROLLED.

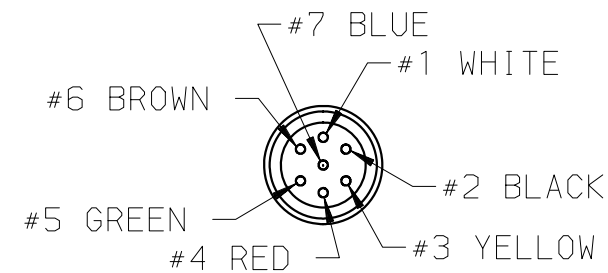
GREASE RECEPTACLES (36-0600-05)



10-7102-01 CLAMP (ASSEMBLE TO 60-2048-01 PLUG) (2 PLACES)



OPERATOR LOAD VIEW "A"
(IN DIRECTION OF ARROW)



OPERATOR LOAD VIEW "B"
(IN DIRECTION OF ARROW)

REV	DESCRIPTION	ENG APP'L	ECO NO. AND DATE
A	ISSUED		557271 11-16-12
CVL			

TECHNICAL INFORMATION DISCLOSED HEREIN IS THE CONFIDENTIAL PROPERTY OF GROTE INDUSTRIES, INC. AND IS ISSUED IN CONFIDENCE FOR ENGINEERING INFORMATION ONLY. IT MAY NOT BE REPRODUCED OR USED IN ANY WAY WITHOUT EXPRESS WRITTEN LICENSE FROM GROTE INDUSTRIES, INC.

GCC DENOTES GROTE CONTROL CHARACTERISTIC

THIRD ANGLE PROJECTION

DR. BY: C.VAZQUEZ	SCALE: NONE	UNITS: IN
DATE: 11-16-12	DO NOT SCALE DRAWING	
MATERIAL NO.	CHECKED BY:	

MAT'L DESCRIPTION NOTED

TITLE
7 COND, MAIN HARNESS
DOUBLES TRAILER

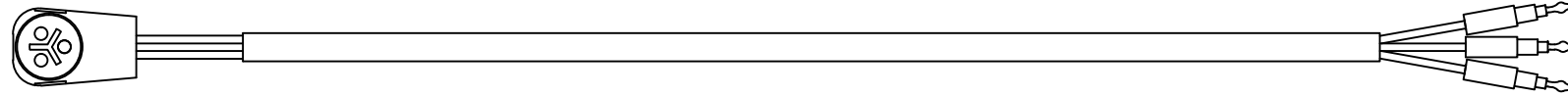
Grote GROTE INDUSTRIES, LLC
MADISON, INDIANA U.S.A.

SIZE	PART/DWG NO.	REV.	SHT #
B	01-6609-P3	A	1 OF 1

SYSTEM/REV.	PROJECT #:
MEDUSA 4	7612
	3D DATA: NO

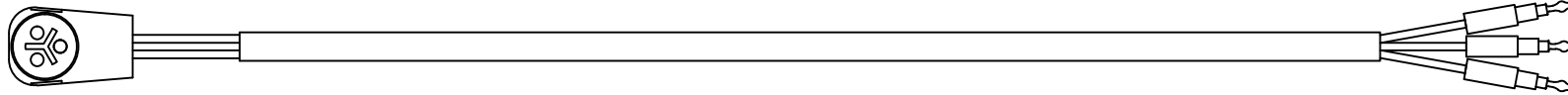
8000273
FRAME CLIP

588"



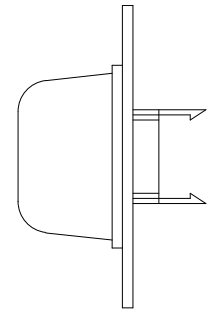
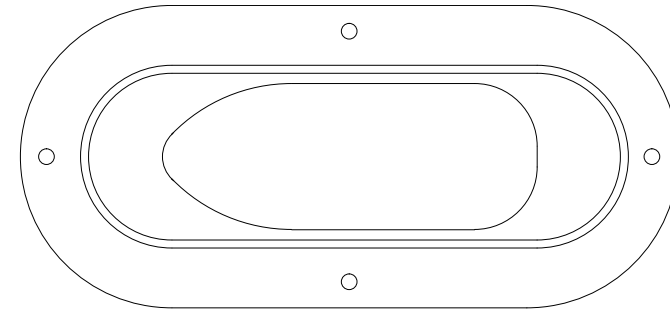
8005310
GROTE 01-6682-A8
MID-TURN HARNESS ROADSIDE
2013 CWF 48' & 53' TRAILERS

402"

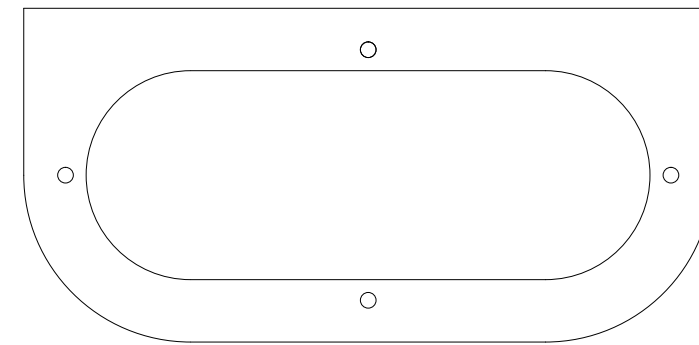


8005309
GROTE 01-6682-A5
MID-TURN HARNESS CURBSIDE

6300126 (2) 3/16" D x 3/8" L POP RIVET
6300153 (2) 3/16" D x 1/4" L MAGNA POP RIVET



8000132
GROTE 54223
MID-TURN LIGHT

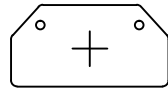


8000064
GROTE 43362-3
BRACKET MID-TURN LIGHT

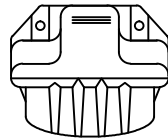
800N534

MID-TURN LIGHT ASSEMBLY

GASKET



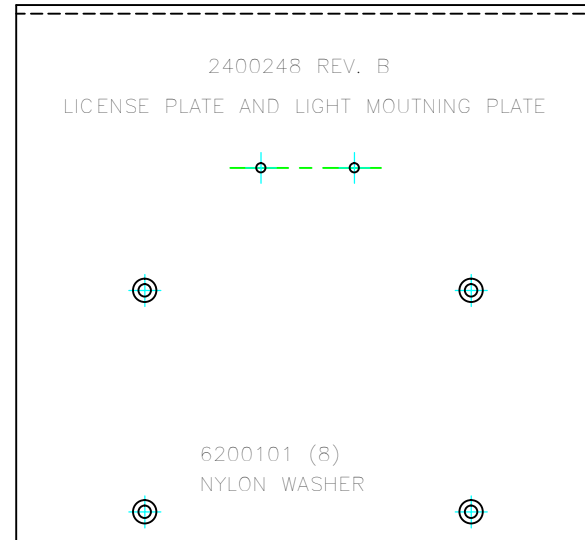
BRACKET



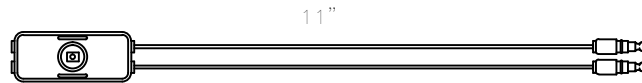
6000238 (2)
MACHINE SCREW



6100238 (2)
NUT



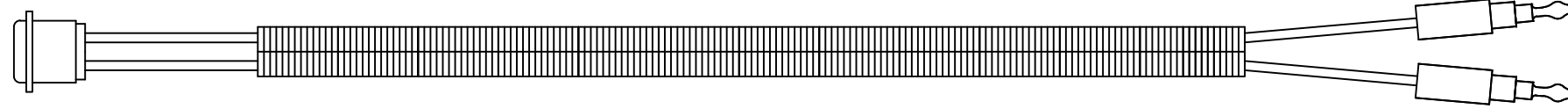
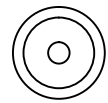
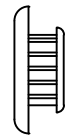
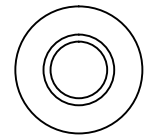
80000574 (1)
LED LIGHT
GROTE 01-6067-82



11"

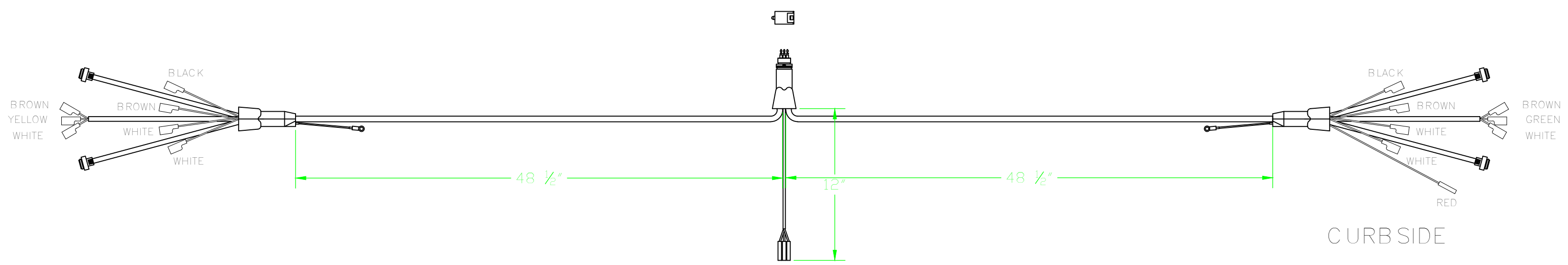
PART NUMBER 8000574 INCLUDES THE LIGHT, BRACKET AND GASKET

800N331
LICENSE LIGHT ASSEMBLY
LIFT GATE TRAILER

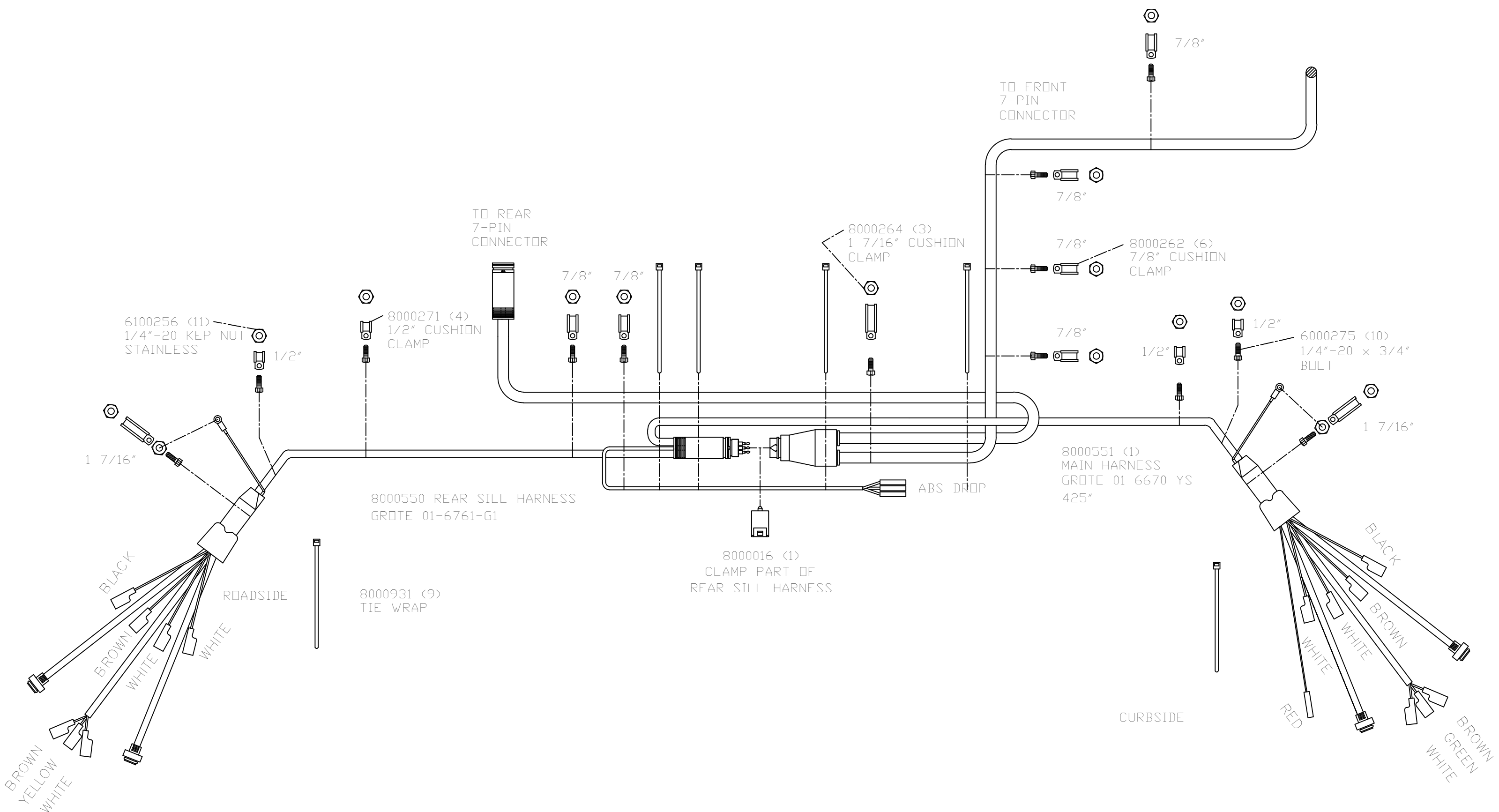


8000570
GROTE 01-4933-86
LOWER REAR MARKER LIGHT AND PIGTAIL
20"

800N326

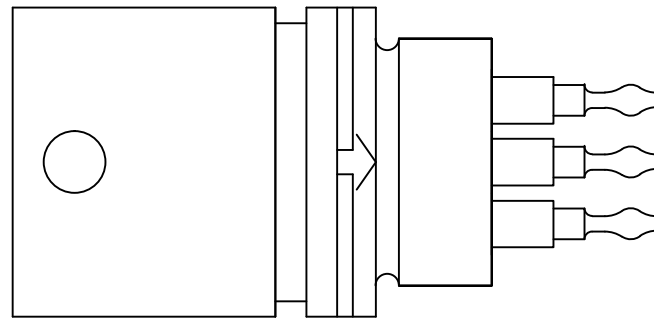
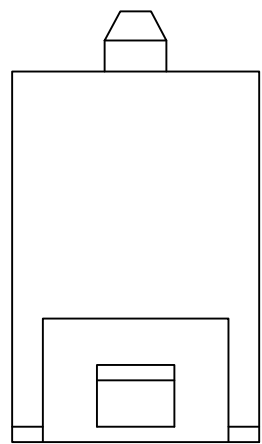


8000550
GROTE 01-6761-G1
REAR SILL HARNESS 2013 CWF TRAILERS



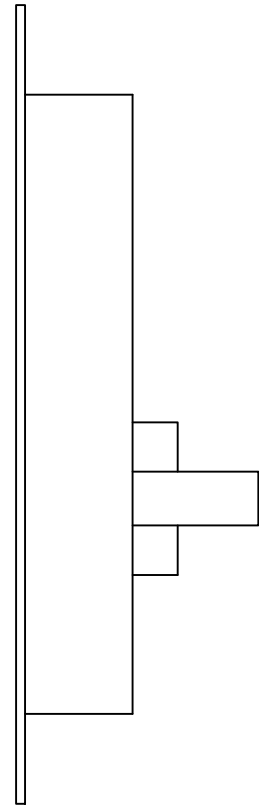
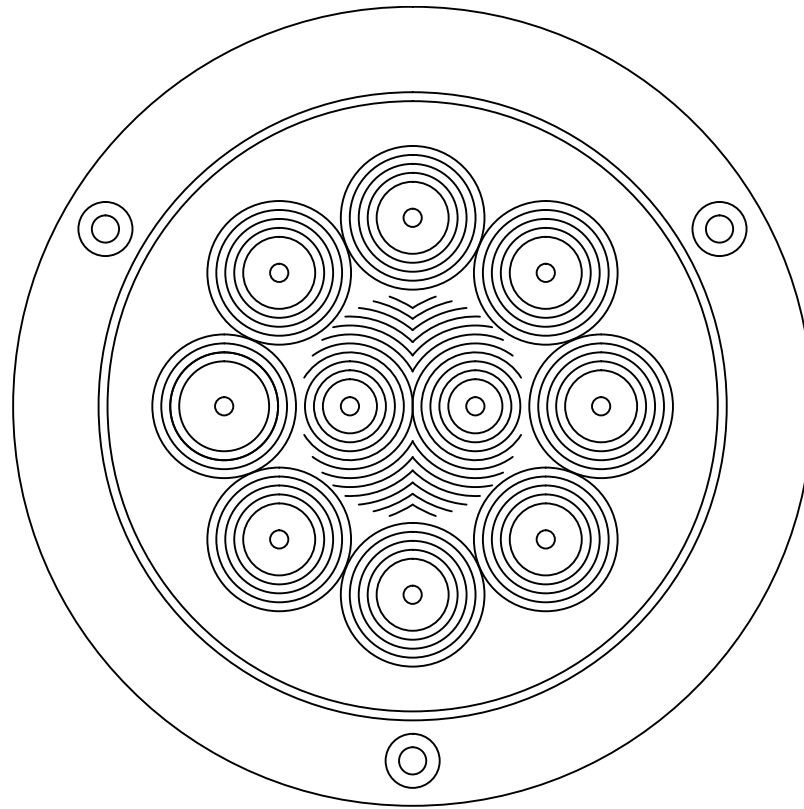
800N330

REAR SILL HARNESS FASTENERS 2013 & 2014 CWF TRAILERS



8000557 (1)
DUMMY PLUG
GROTE ####

6300119 (12) POP RIVET



8000575 (4)
GROTE 01-5462-23
TAIL LIGHT - LED

800N327 TAIL LIGHT
ASSEMBLY

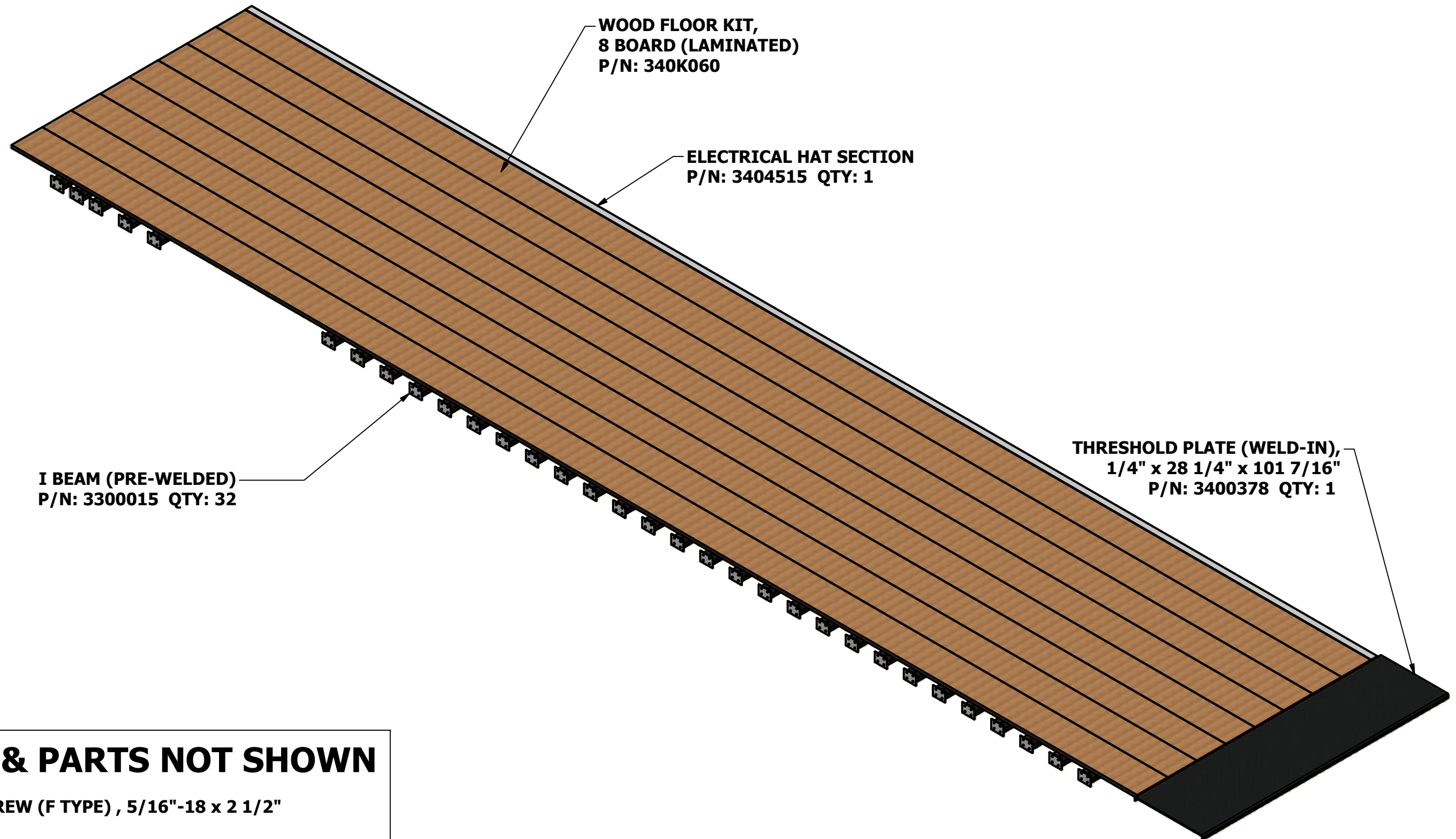
FLOOR ASSEMBLIES

45', 48' & 53' CON-WAY

CITY SEMI TRAILERS



FLOOR ASSEMBLY, CWF 45' P/N: 340M113



**WOOD FLOOR KIT,
8 BOARD (LAMINATED)
P/N: 340K060**

**ELECTRICAL HAT SECTION
P/N: 3404515 QTY: 1**

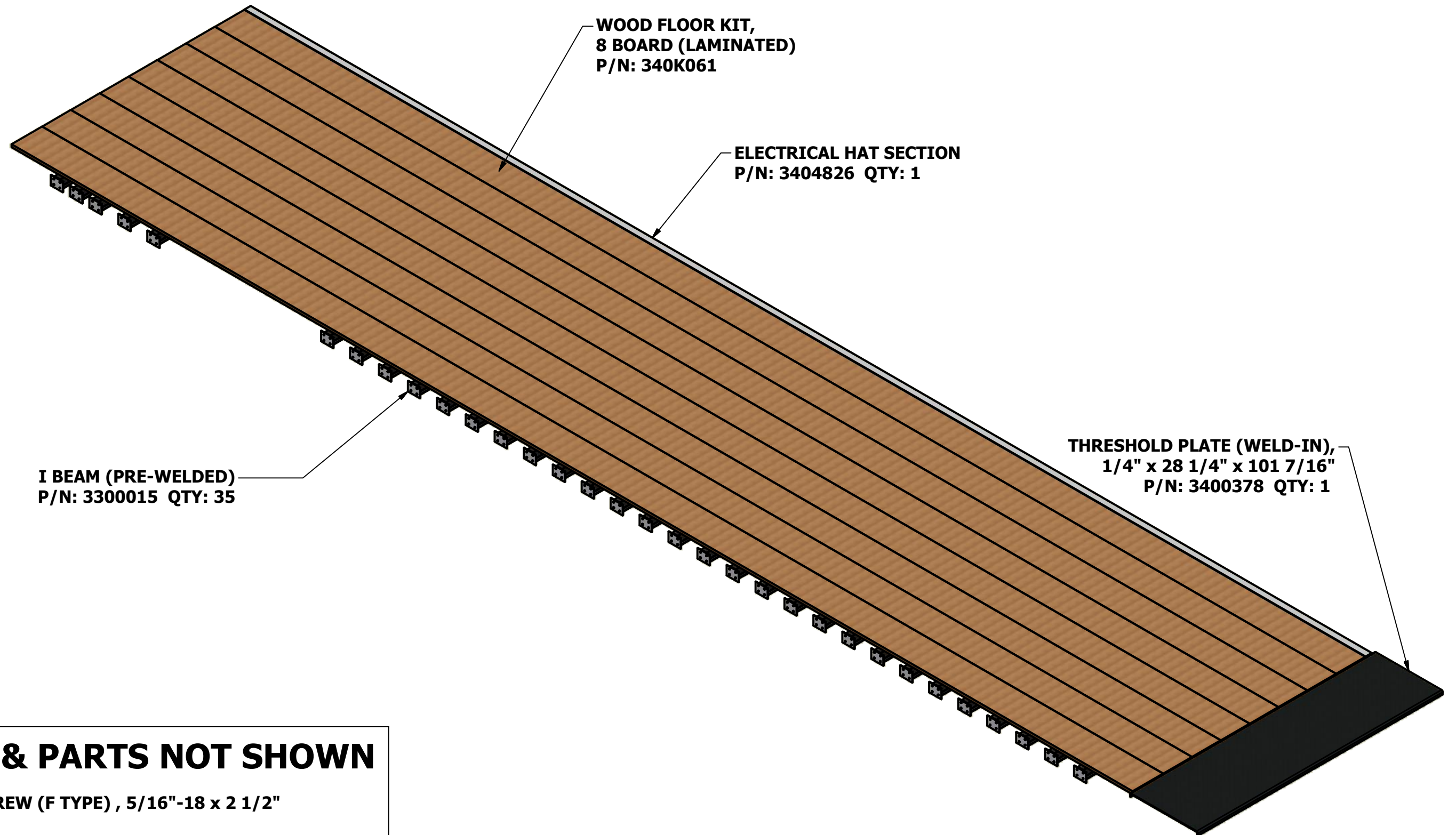
**I BEAM (PRE-WELDED)
P/N: 3300015 QTY: 32**

**THRESHOLD PLATE (WELD-IN),
1/4" x 28 1/4" x 101 7/16"
P/N: 3400378 QTY: 1**

FASTENERS & PARTS NOT SHOWN

**TORX HEAD FLOOR SCREW (F TYPE) , 5/16"-18 x 2 1/2"
P/N: 6000326 QTY: 6
TORX HEAD FLOOR SCREW (F TYPE), 5/16"-18 x 2"
P/N: 6400213 QTY: 690
WAX UNDERCOAT (BLACK)
P/N: 7500615**

FLOOR ASSEMBLY, CWF 48' P/N: 340M114



**WOOD FLOOR KIT,
8 BOARD (LAMINATED)
P/N: 340K061**

**ELECTRICAL HAT SECTION
P/N: 3404826 QTY: 1**

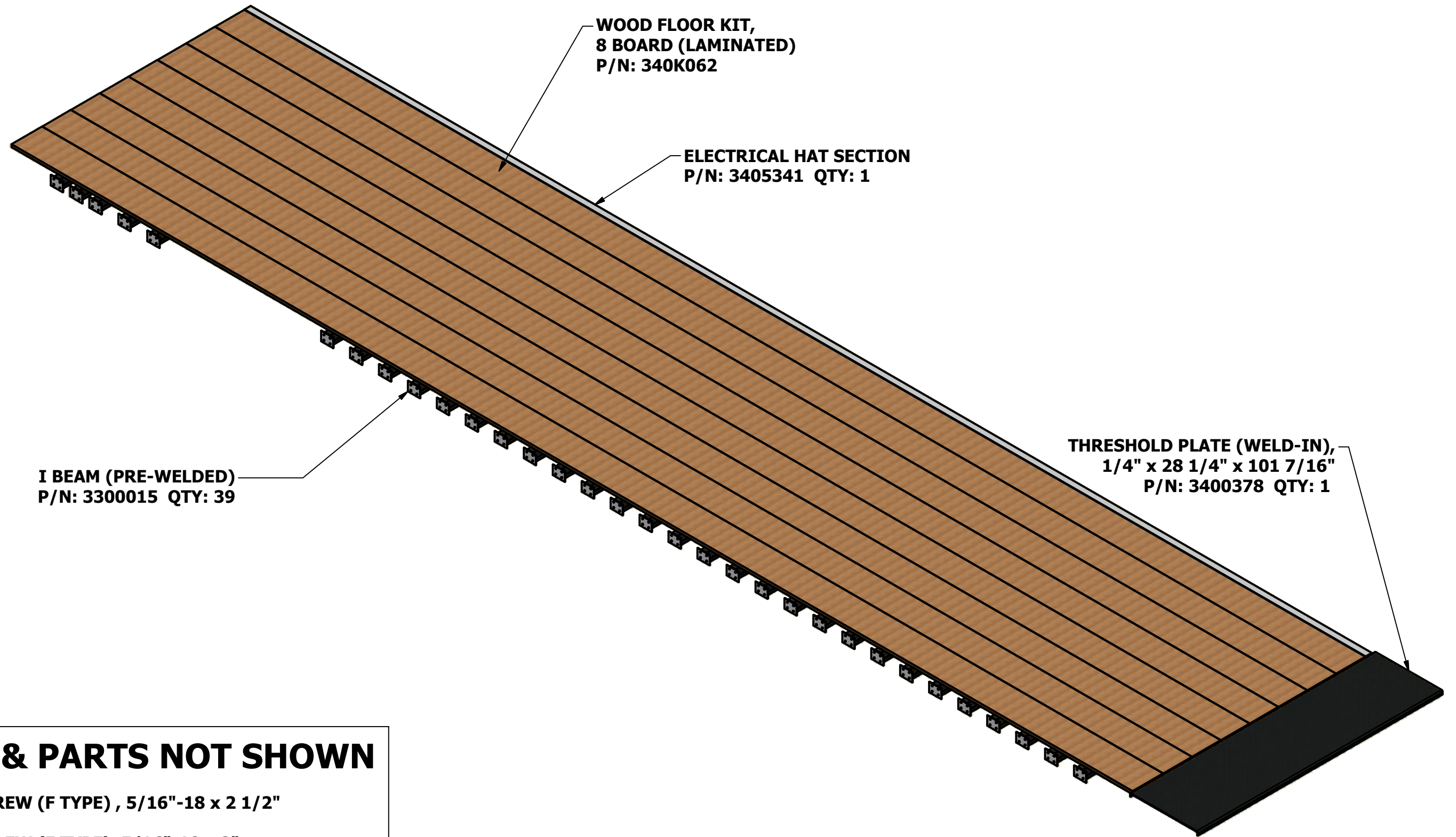
**I BEAM (PRE-WELDED)
P/N: 3300015 QTY: 35**

**THRESHOLD PLATE (WELD-IN),
1/4" x 28 1/4" x 101 7/16"
P/N: 3400378 QTY: 1**

FASTENERS & PARTS NOT SHOWN

**TORX HEAD FLOOR SCREW (F TYPE) , 5/16"-18 x 2 1/2"
P/N: 6000326 QTY: 6
TORX HEAD FLOOR SCREW (F TYPE), 5/16"-18 x 2"
P/N: 6400213 QTY: 726
WAX UNDERCOAT (BLACK)
P/N: 7500615**

FLOOR ASSEMBLY, CWF 53' P/N: 340M115



WOOD FLOOR KIT,
8 BOARD (LAMINATED)
P/N: 340K062

ELECTRICAL HAT SECTION
P/N: 3405341 QTY: 1

I BEAM (PRE-WELDED)
P/N: 3300015 QTY: 39

THRESHOLD PLATE (WELD-IN),
1/4" x 28 1/4" x 101 7/16"
P/N: 3400378 QTY: 1

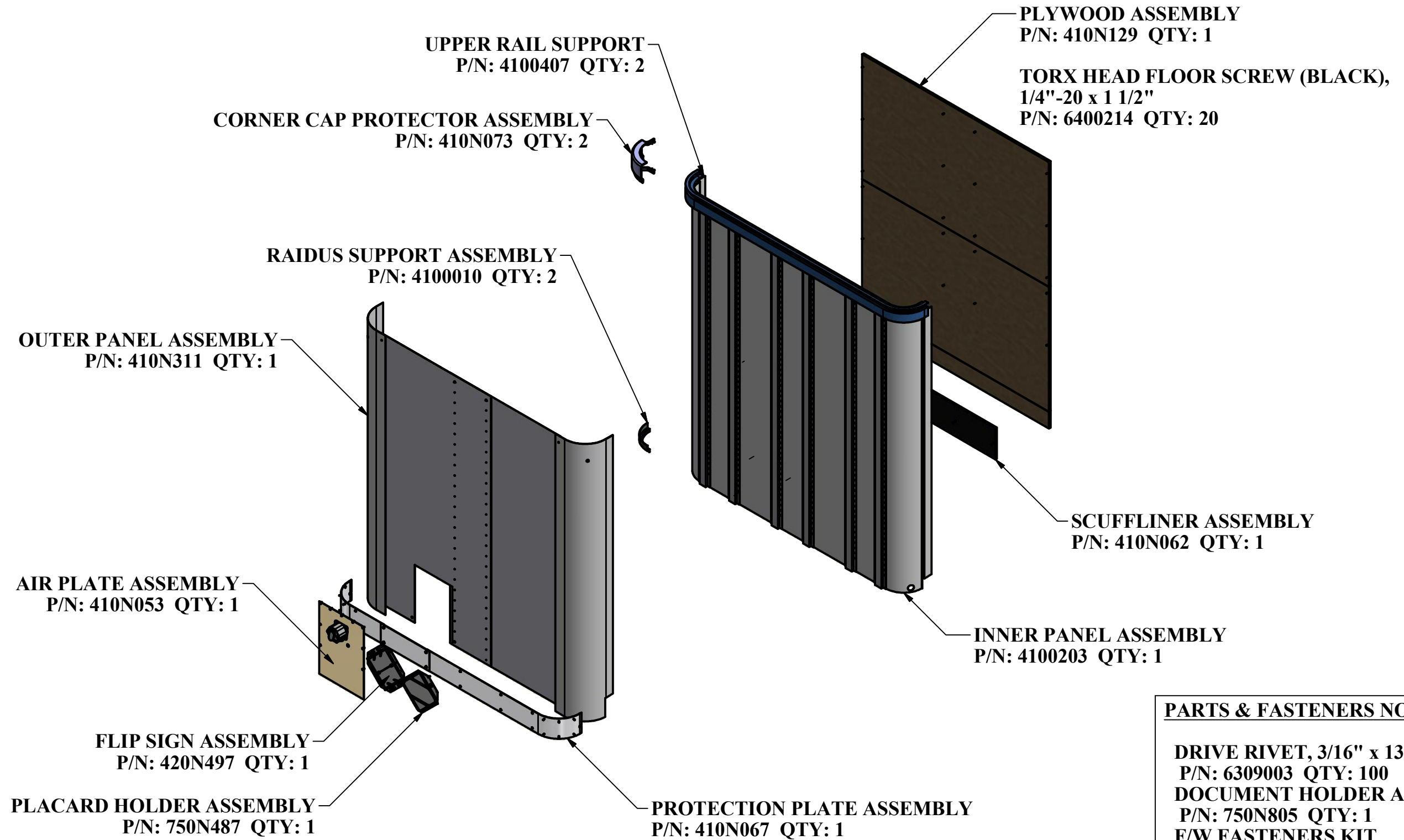
FASTENERS & PARTS NOT SHOWN

TORX HEAD FLOOR SCREW (F TYPE) , 5/16"-18 x 2 1/2"
P/N: 6000326 QTY: 6
TORX HEAD FLOOR SCREW (F TYPE), 5/16"-18 x 2"
P/N: 6400213 QTY: 790
WAX UNDERCOAT (BLACK)
P/N: 7500615

**FORWARD WALL
ASSEMBLY
45', 48' & 53' CON-WAY
CITY SEMI TRAILERS**



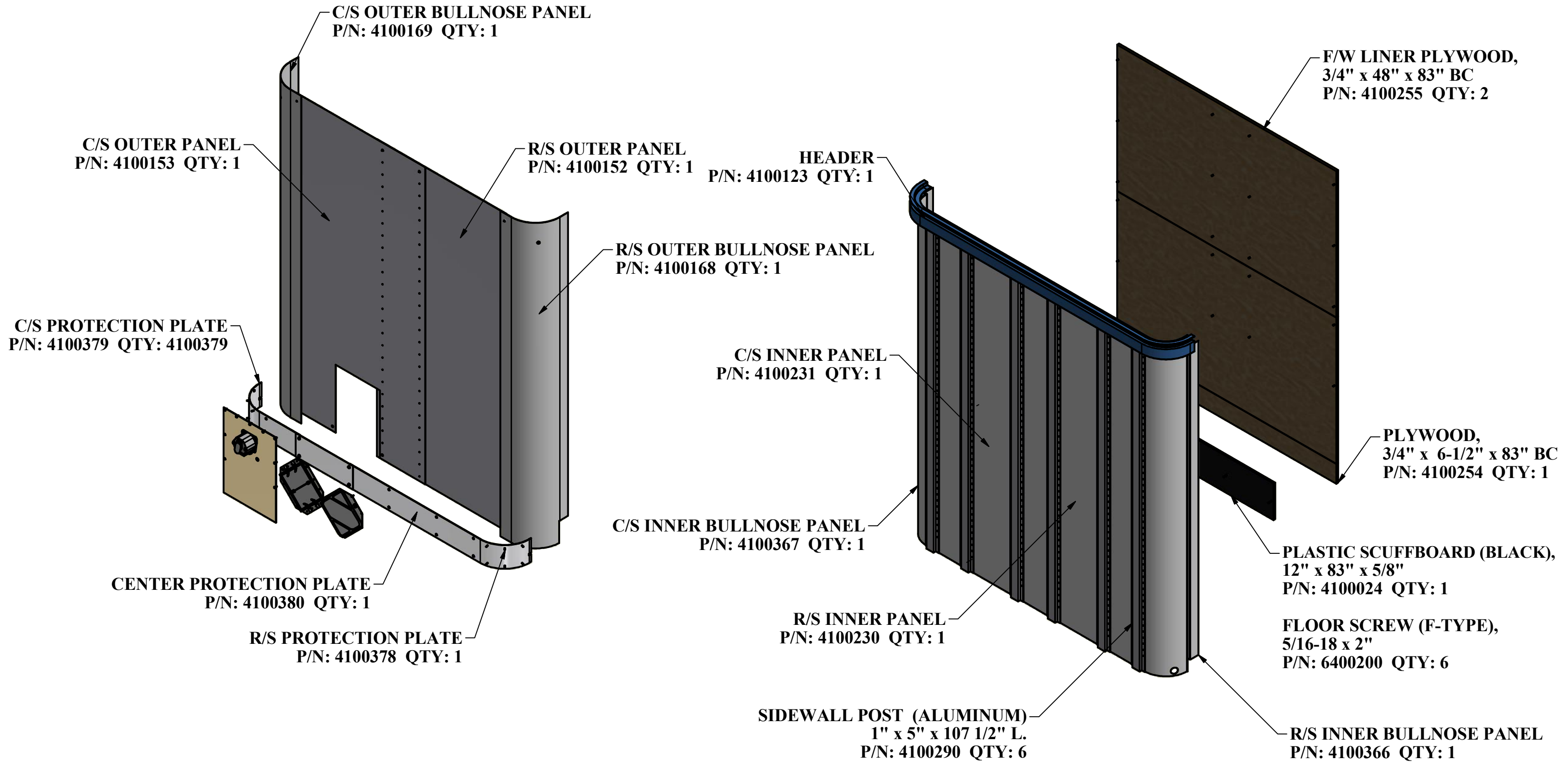
FORWARD WALL ASSEMBLY, CWF 45', 48' & 53' TRAILERS P/N: 410M289



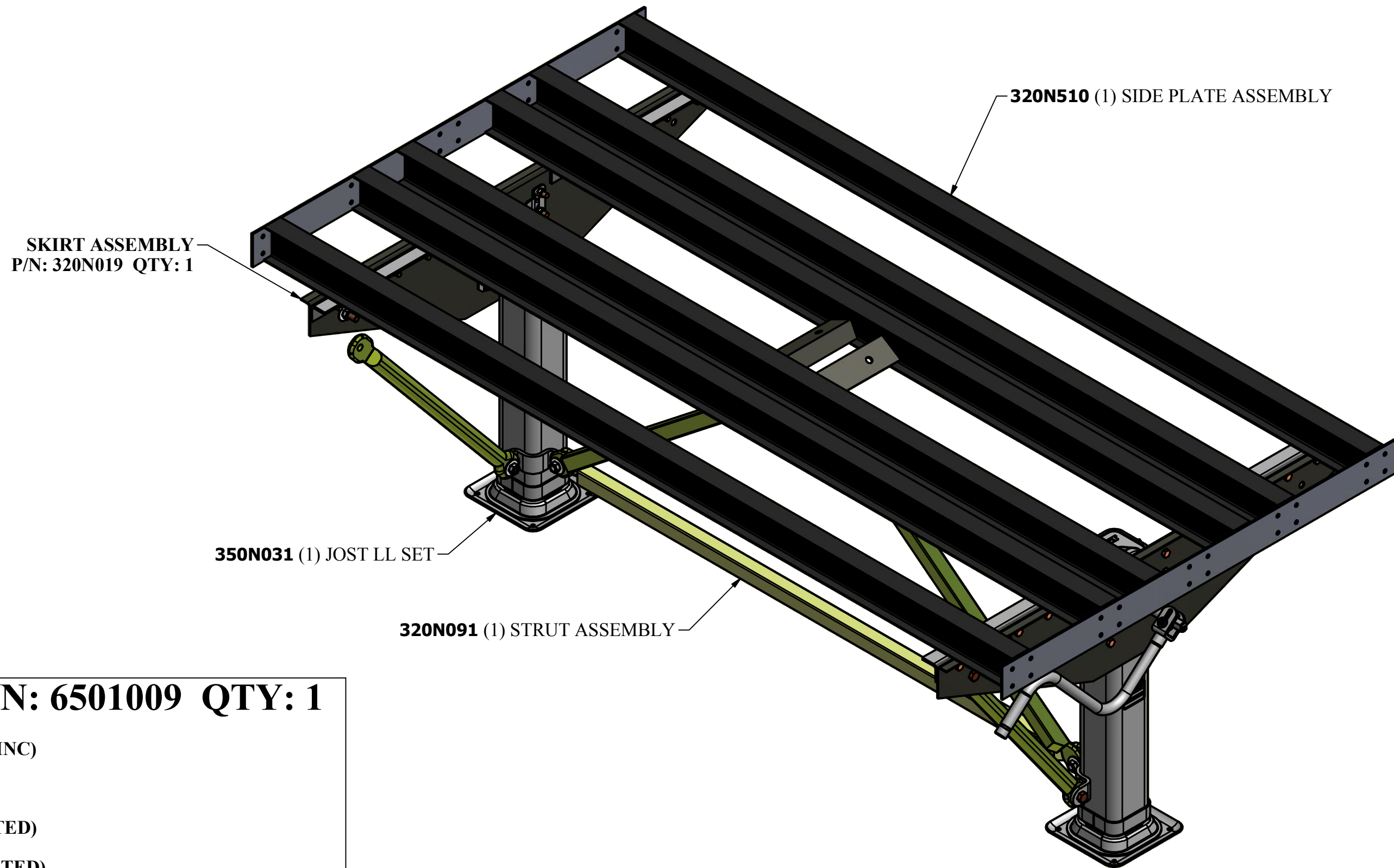
PARTS & FASTENERS NOT SHOWN

DRIVE RIVET, 3/16" x 13/32"
P/N: 6309003 QTY: 100
DOCUMENT HOLDER ASSM.
P/N: 750N805 QTY: 1
F/W FASTENERS KIT
P/N: 410K000 QTY: 1
MANIFEST BOX ASSM.
P/N: 420N100 QTY: 1
POP RIVET, 6-9 CLOSED END
P/N: 6300015 QTY: 43

FORWARD WALL ASSEMBLY, CWF 45', 48' & 53' TRAILERS P/N: 410M289



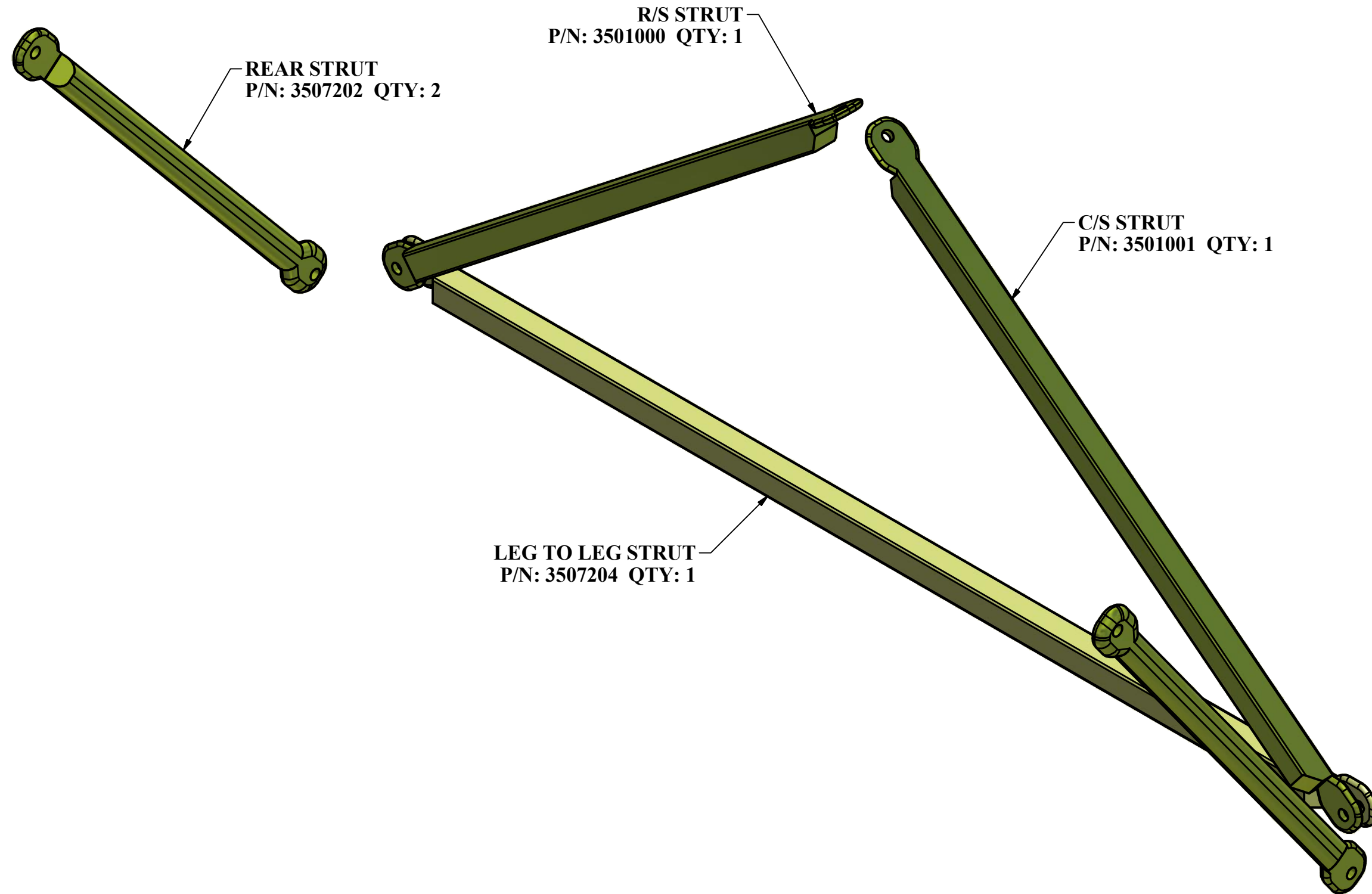
LANDING LEG ASSEMBLY, CWF 45', 48' & 53' TRAILERS P/N: 350M004



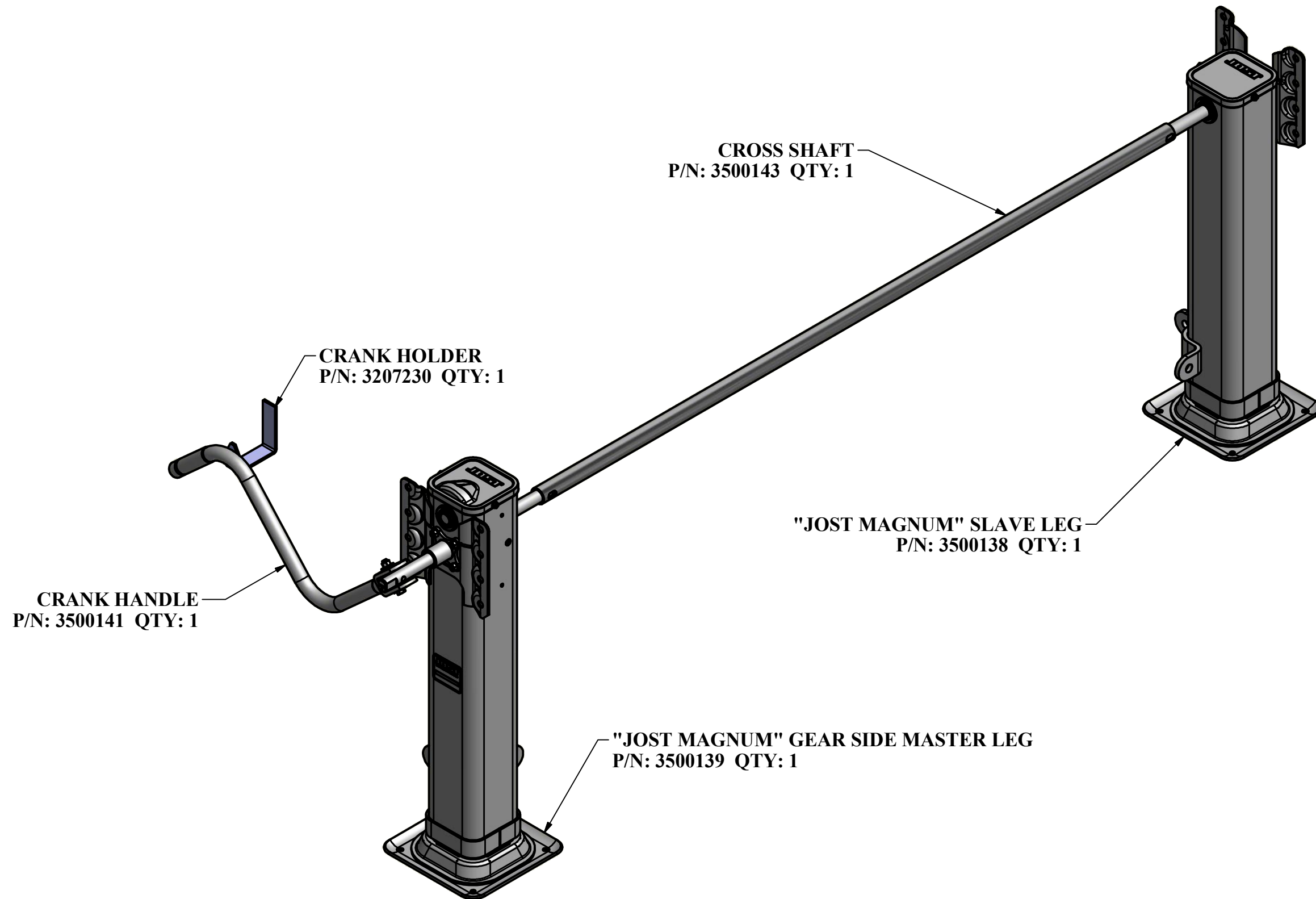
FASTENERS KIT P/N: 6501009 QTY: 1

BOLT, 1/2"-20 x 1 1/2" (GRADE 8 & ZINC)
P/N: 6000501 QTY: 36
BOLT, 5/8"-18 x 1 3/4"
P/N: 6000627 QTY: 6
BOLT, 5/8"-18 x 2" (GRADE 5 & PLATED)
P/N: 6000628 QTY: 2
LOCK NUT, 1/2"-20 (GRADE 5 & PLATED)
P/N: 6100501 QTY: 36
PINCH LOCK NUT, 5/8"-18 (GRADE 5 & PLATED)
P/N: 6100626 QTY: 8
FLAT USS WASHER, 5/8" (PLATED)
P/N: 6200626 QTY: 8

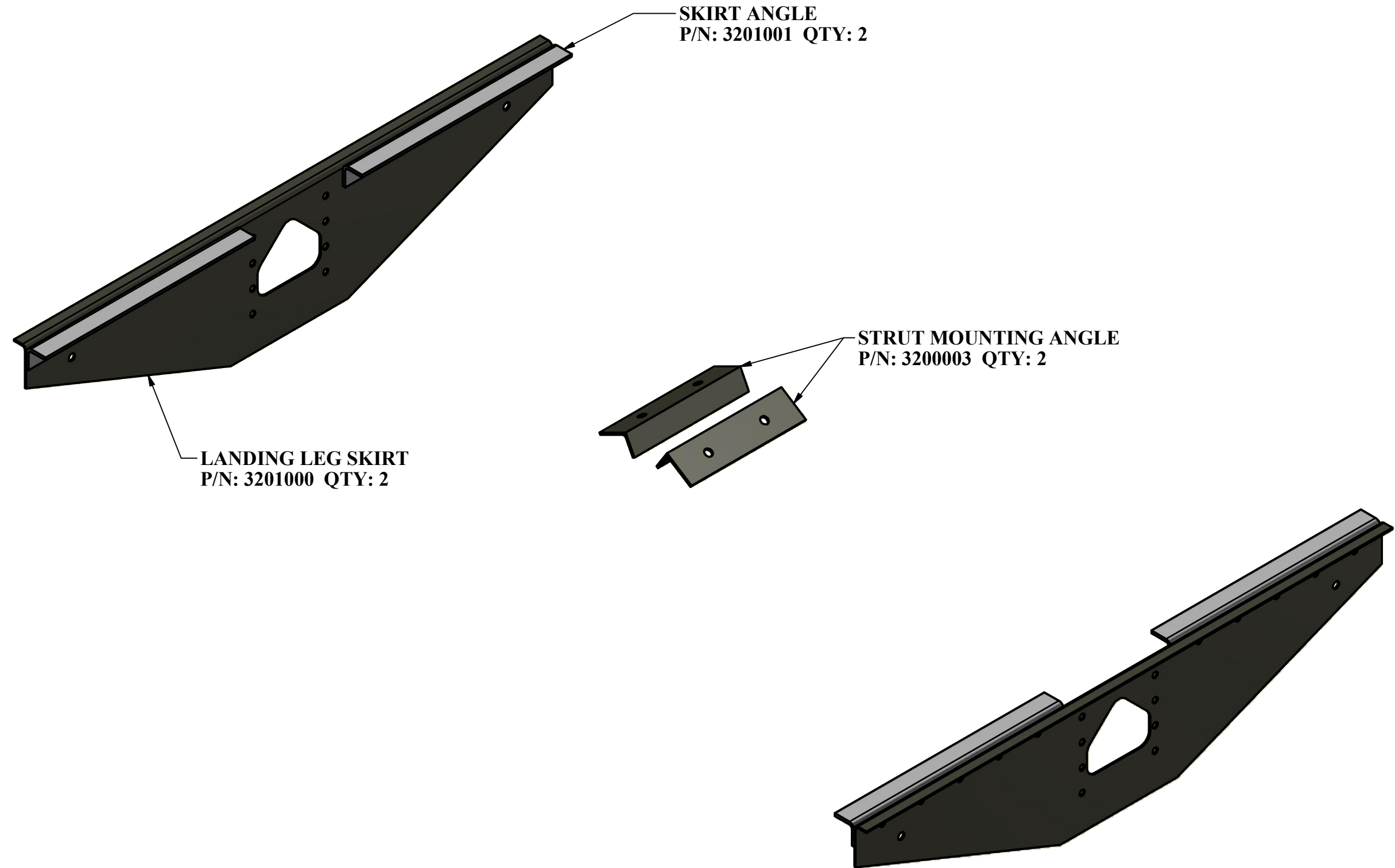
LANDING LEG STRUT ASSEMBLY, CWF 45', 48' & 53' TRAILER P/N: 320N091



LANDING LEG SET (JOST), CWF 45', 48' & 53' TRAILERS P/N: 350N031



SKIRT ASSEMBLY, CWF 45', 48' & 53' TRAILERS P/N: 320N019



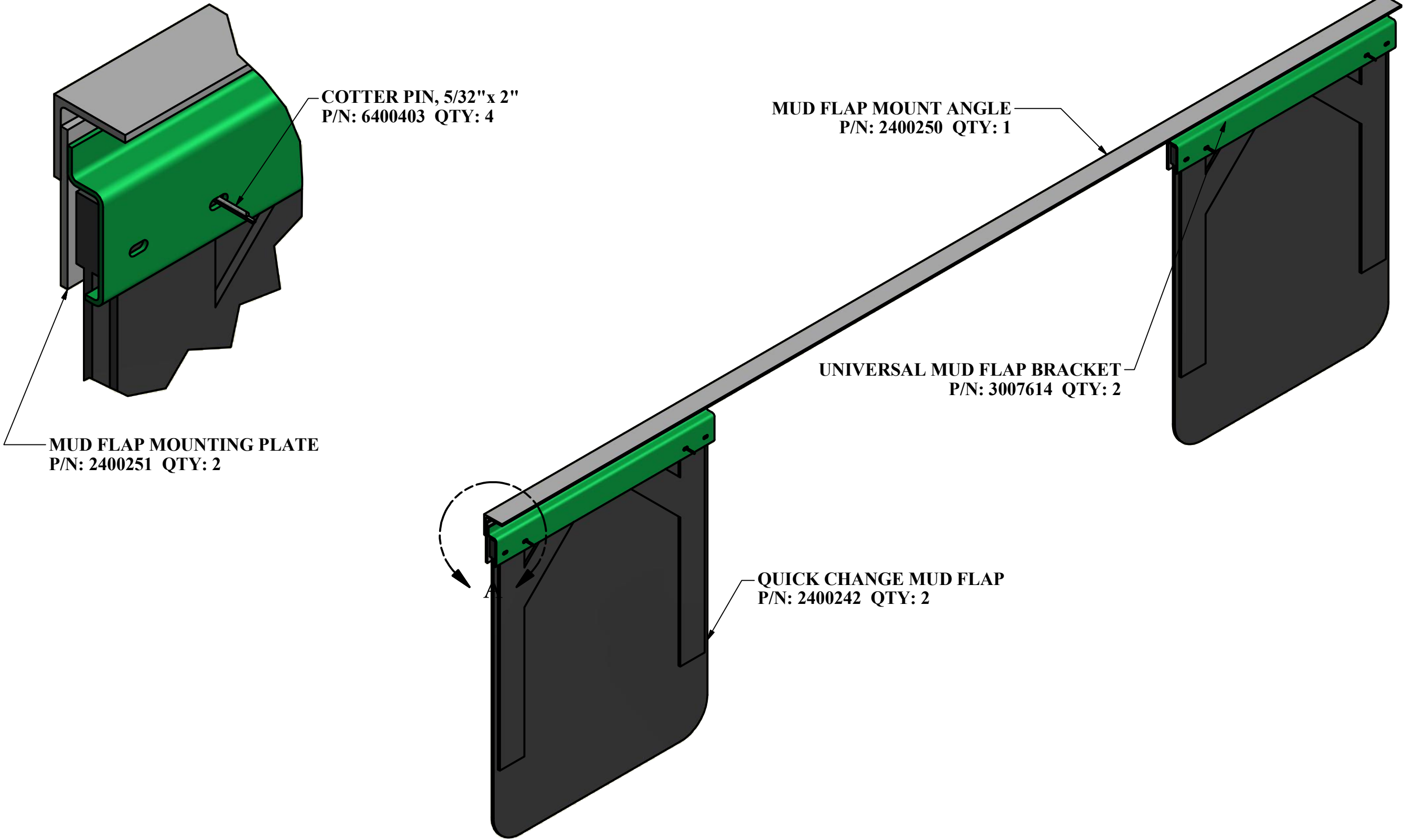
LANDING LEG SIDE PLATE ASSEMBLY, CWF 45' 48' & 53' TRAILERS P/N: 320N510



4" I BEAM
P/N: 3307663 QTY: 6

SIDE PLATE
P/N: 3205300 QTY: 2

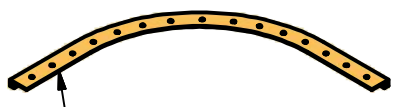
QUICK CHANGE MUD FLAP ASSEMBLY, CWF 45', 48' & 53' TRAILERS P/N: 240N018



ROOF ASSEMBLY, CWF 45' TRAILER P/N: 450M021

PARTS NOT SHOWN	
CORNER ATTCHMENT PLATE	
P/N: 4607205	QTY: 1
6-8 SOLID RIVET	
P/N: 6300106	QTY: 0.037 LB
6-10 SOLID RIVET	
P/N: 6300105	QTY: 0.349 LB
8-8 SOLID RIVET	
P/N: 6300112	QTY: 0.109 LB
10MM SOLID RIVET	
P/N: 6300162	QTY: 144

F/W CORNER PLATE ASSEMBLY
P/N: 460N000 QTY: 2



CORNER ROOF FLASHING
P/N: 4400212 QTY: 2

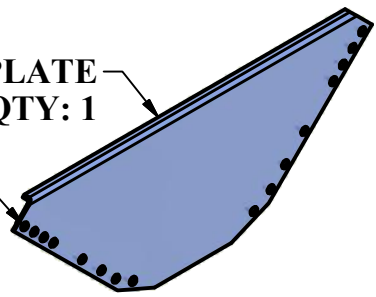
ROOF FLASHING WITH 1 1/2" HOLE CENTERS
P/N: 4400209 QTY: 2

ROOF BOW
P/N: 4400310 QTY: 22

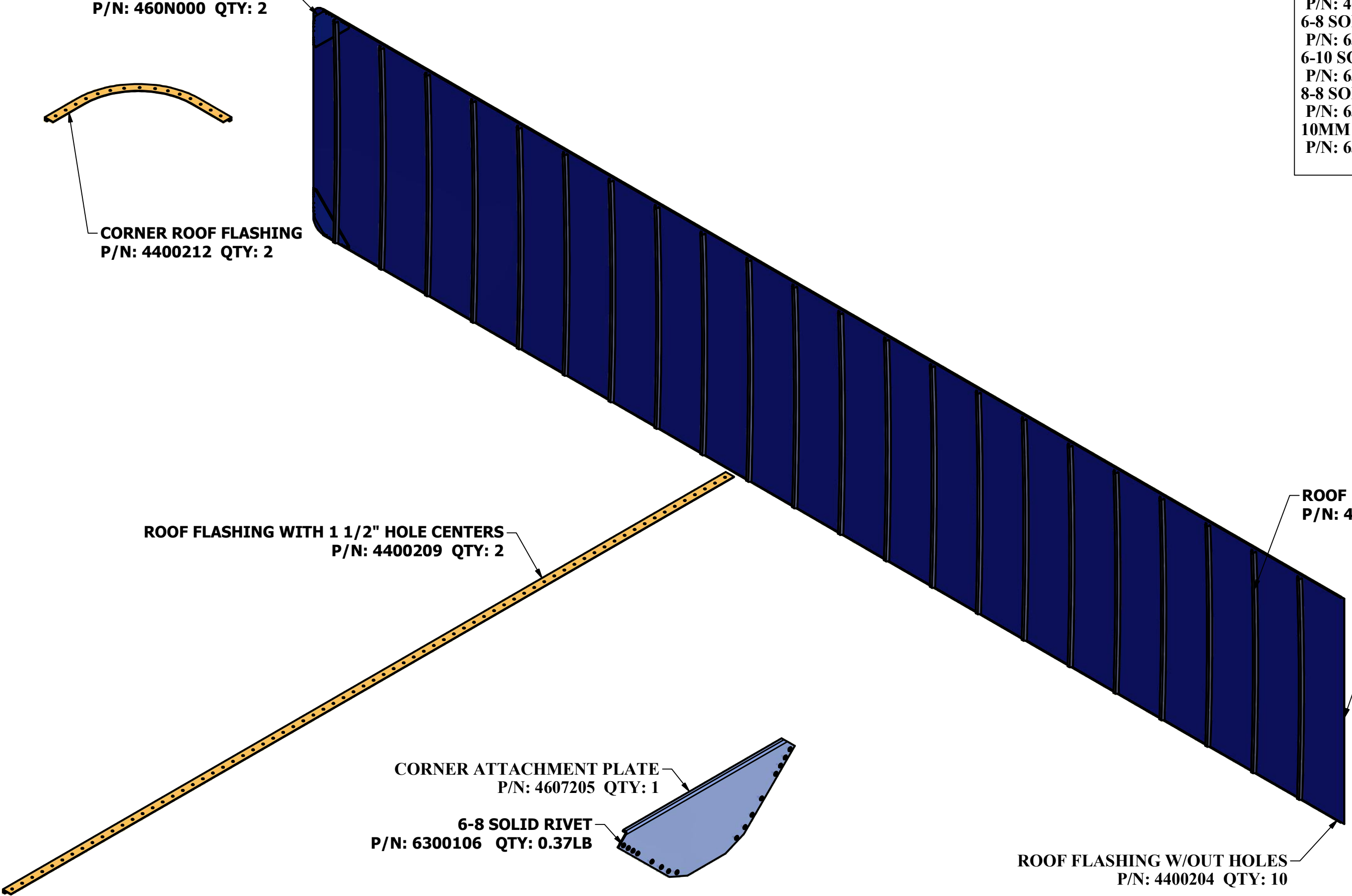
ALUMINUM COIL
P/N: 7800404 QTY: 226 LB

CORNER ATTACHMENT PLATE
P/N: 4607205 QTY: 1

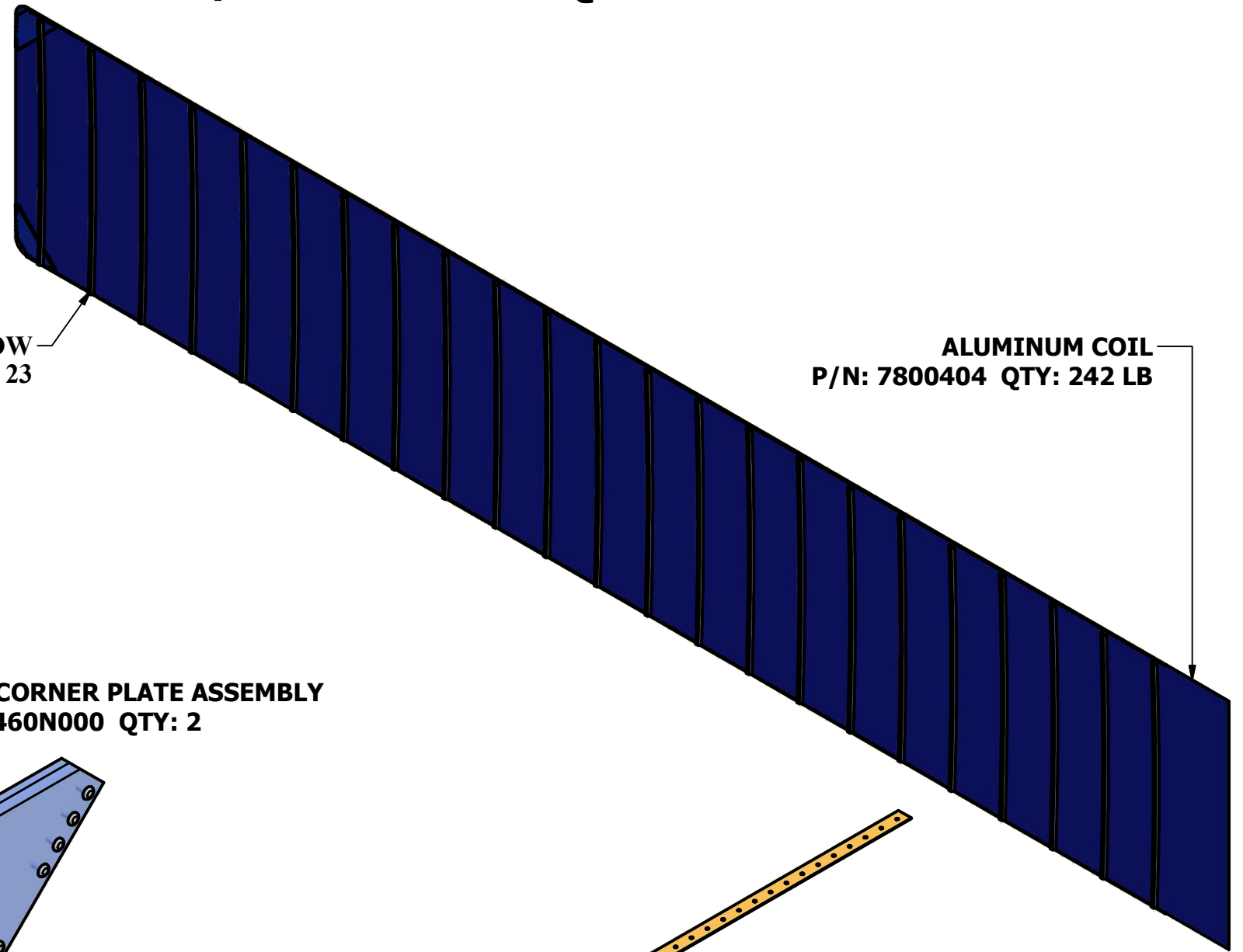
6-8 SOLID RIVET
P/N: 6300106 QTY: 0.37LB



ROOF FLASHING W/OUT HOLES
P/N: 4400204 QTY: 10



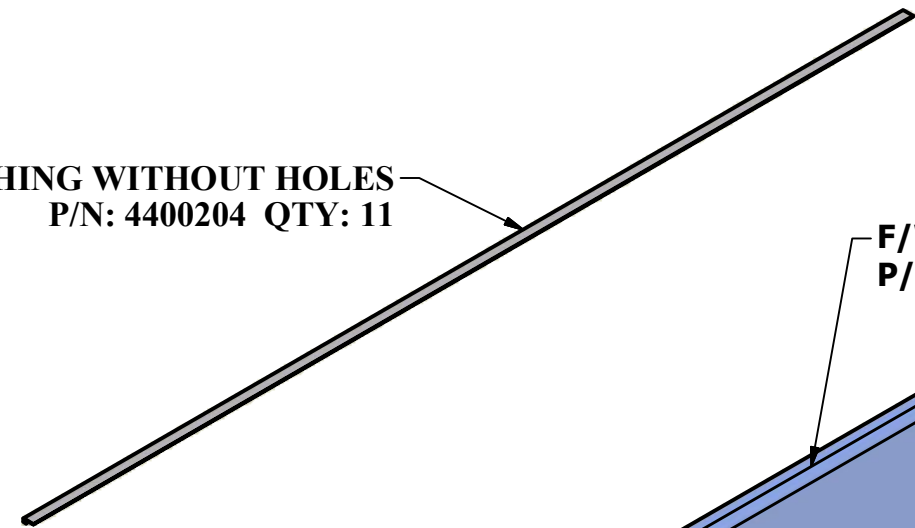
HENROB ROOF ASSEMBLY, CWF 48" P/N:450M016 QTY: 1



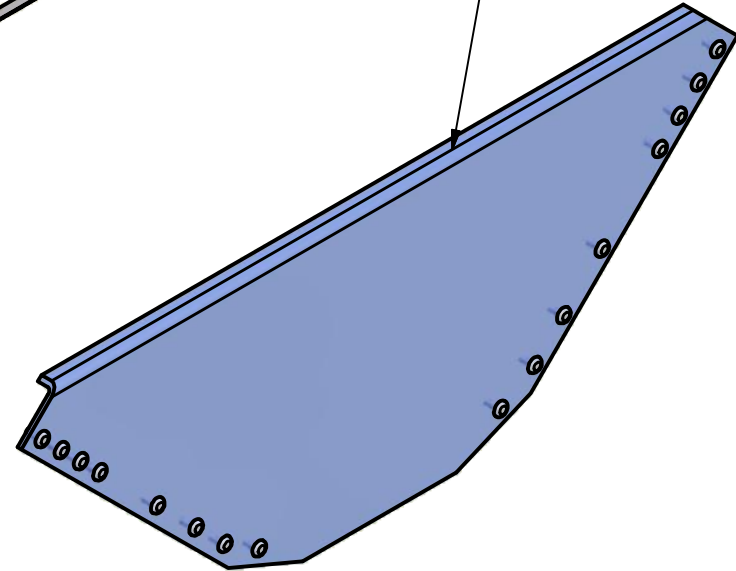
ROOF BOW
P/N: 4400310 QTY: 23

ALUMINUM COIL
P/N: 7800404 QTY: 242 LB

ROOF FLASHING WITHOUT HOLES
P/N: 4400204 QTY: 11



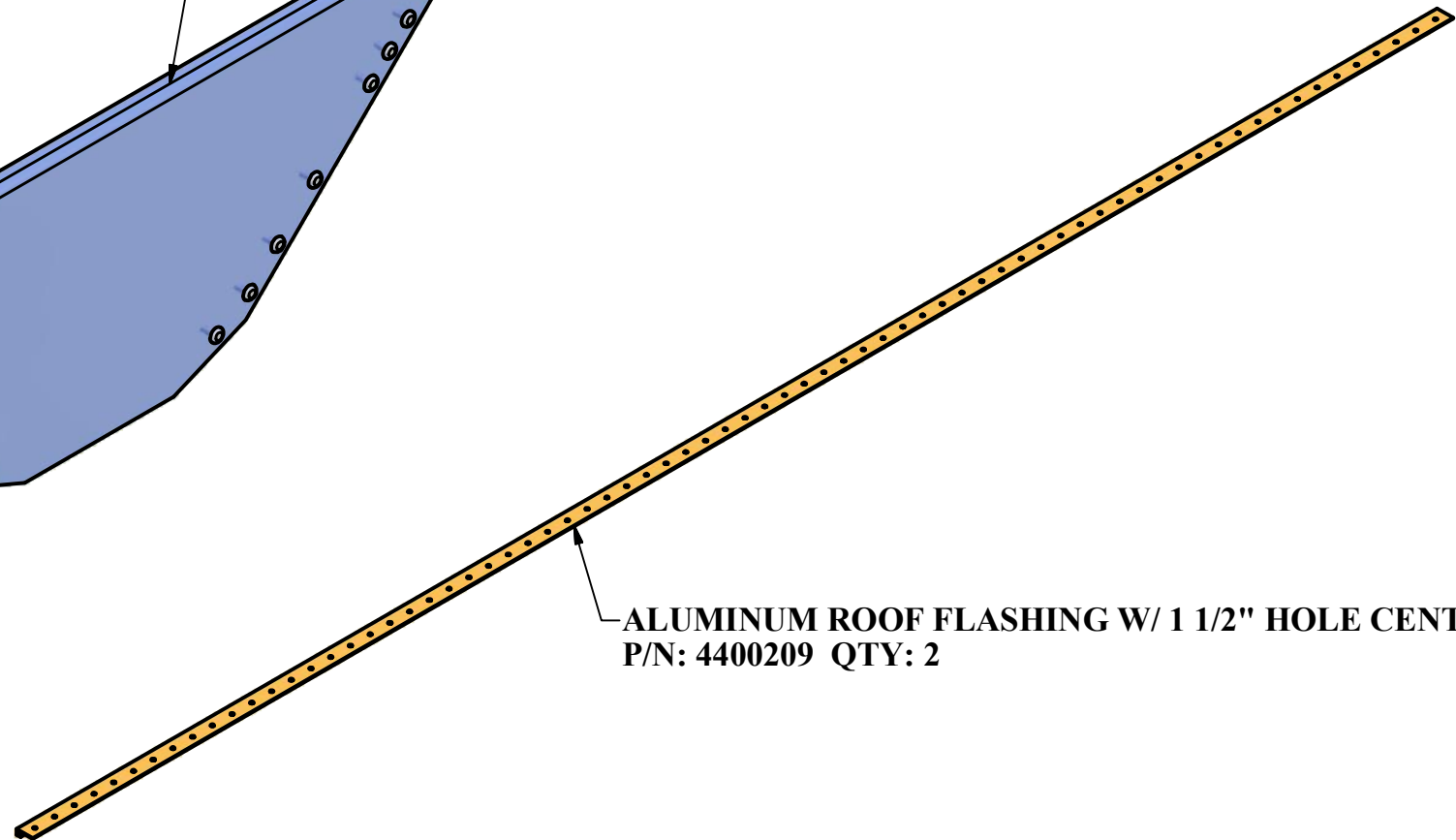
F/W CORNER PLATE ASSEMBLY
P/N:460N000 QTY: 2



CORNER ROOF FLASHING
P/N: 4400212 QTY: 2



ALUMINUM ROOF FLASHING W/ 1 1/2" HOLE CENTERS
P/N: 4400209 QTY: 2



ROOF ASSEMBLY, CWF 53' TRAILER P/N: 450M017

PARTS NOT SHOWN	
CORNER ATTCHMENT PLATE	
P/N: 4607205	QTY: 1
6-8 SOLID RIVET	
P/N: 6300106	QTY: 0.037 LB
6-10 SOLID RIVET	
P/N: 6300105	QTY: 0.349 LB
8-8 SOLID RIVET	
P/N: 6300112	QTY: 0.109 LB
10MM SOLID RIVET	
P/N: 6300162	QTY: 144

F/W CORNER PLATE ASSEMBLY
P/N: 460N000 QTY: 2



CORNER ROOF FLASHING
P/N: 4400212 QTY: 2

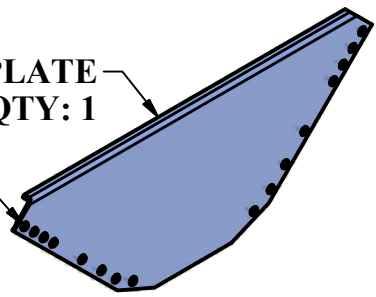
ROOF FLASHING WITH 1 1/2" HOLE CENTERS
P/N: 4400209 QTY: 2

ROOF BOW
P/N: 4400310 QTY: 25

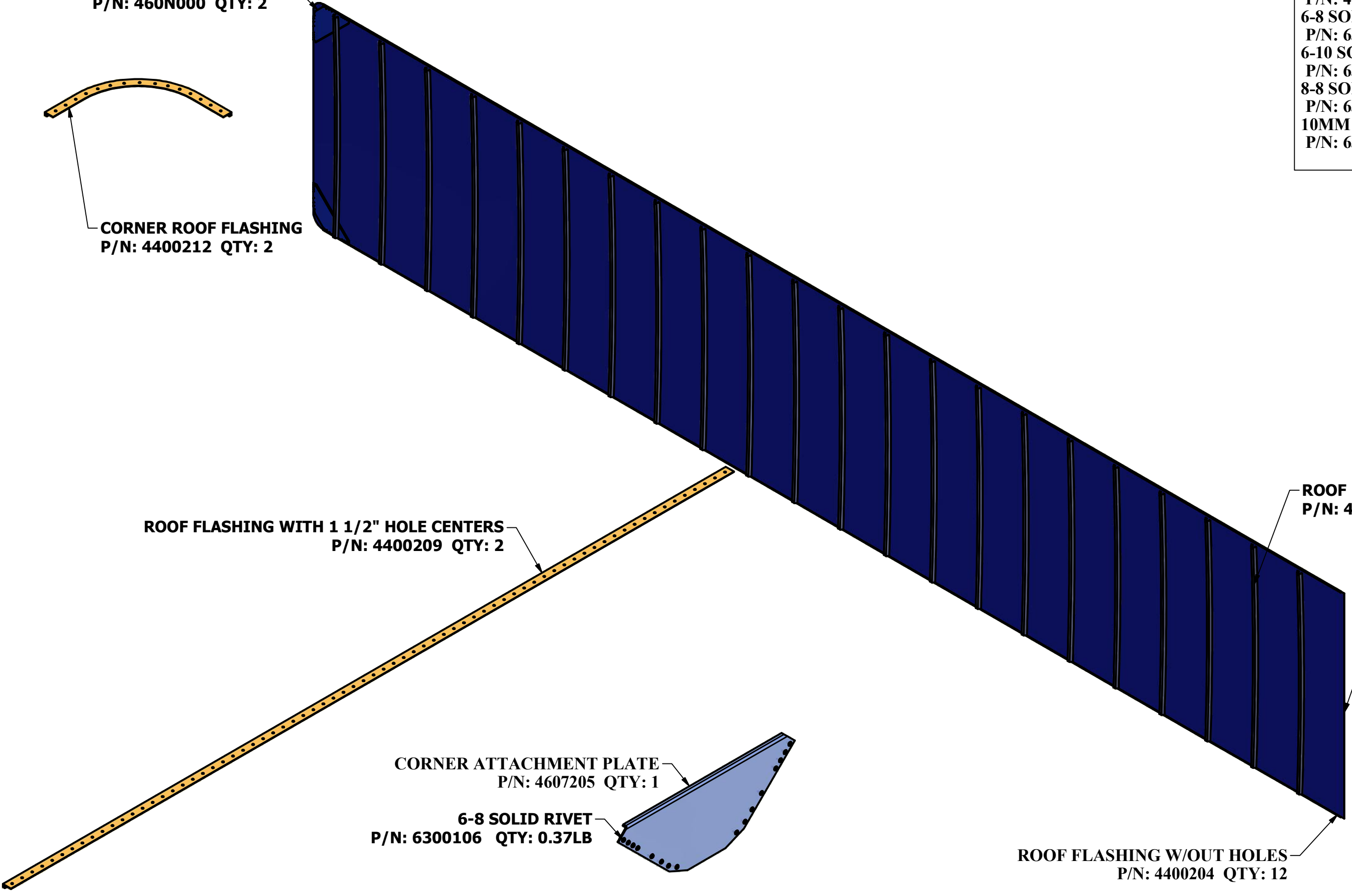
ALUMINUM COIL
P/N: 7800404 QTY: 226 LB

CORNER ATTACHMENT PLATE
P/N: 4607205 QTY: 1

6-8 SOLID RIVET
P/N: 6300106 QTY: 0.37LB



ROOF FLASHING W/OUT HOLES
P/N: 4400204 QTY: 12



SIDEWALL ASSEMBLY (PLASTIC), CWF 45' TRAILER P/N: 420M004

SIDEWALL INNER PANEL (GALVANIZED)
P/N: 4200306 QTY: 2

R/S PANEL
P/N: 4200086 QTY: 1
C/S PANEL
P/N: 4200087 QTY: 1

**SIDEWALL POST (GALVANIZED),
R/S & C/S W/O "A" SLOTS**
P/N: 4200249 QTY: 16

**SIDEWALL POST (GALVANIZED),
R/S & C/S W/O "A" SLOTS**
P/N: 4200259 QTY: 42

R/S SIDEWALL PANEL, 16" CENTER
P/N: 4200192 QTY: 10
C/S SIDEWALL PANEL, 16" CENTER
P/N: 4200193 QTY: 10

**SIDEWALL POST (GALVANIZED)
R/S & C/S W/O "A" SLOTS**
P/N: 4200239 QTY: 8

S/W LINER (PLASTIC)
P/N: 4200705 QTY: 64

D-RING ASSEMBLY
P/N: 420N264 QTY: 26

FLIP SIGN ASSEMBLY
P/N: 420N566 QTY: 2

PLACECARD HOLDER ASSEMBLY
P/N: 420N567 QTY: 2

UPPER RAIL (EXTENDED)
P/N: 4205314 QTY: 2

LOWER RAIL
P/N: 4205312 QTY: 2

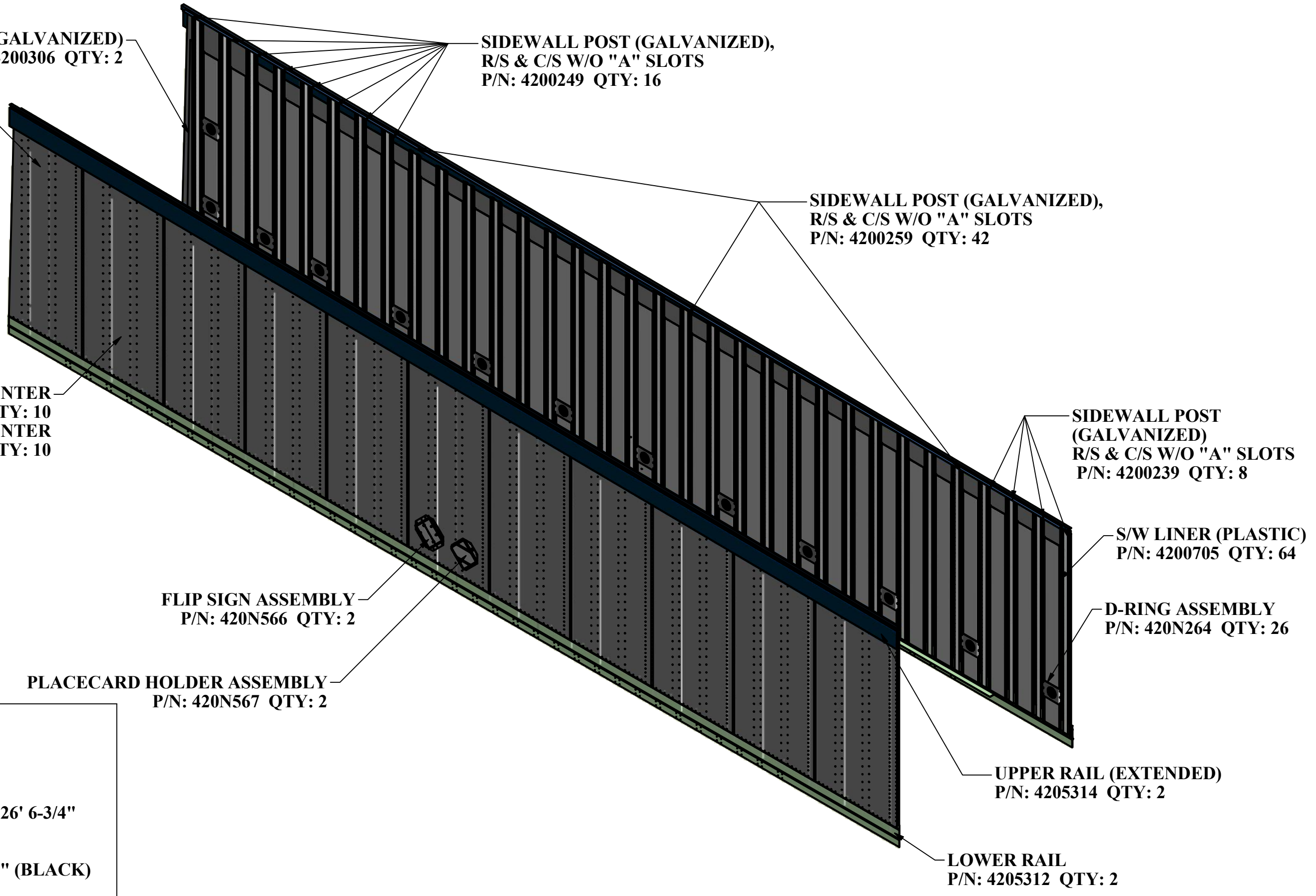
PARTS NOT SHOWN

**DOOR TRACK GUARD WEDGE,
12" SHORT STLYE**
P/N: 4300298 QTY: 2

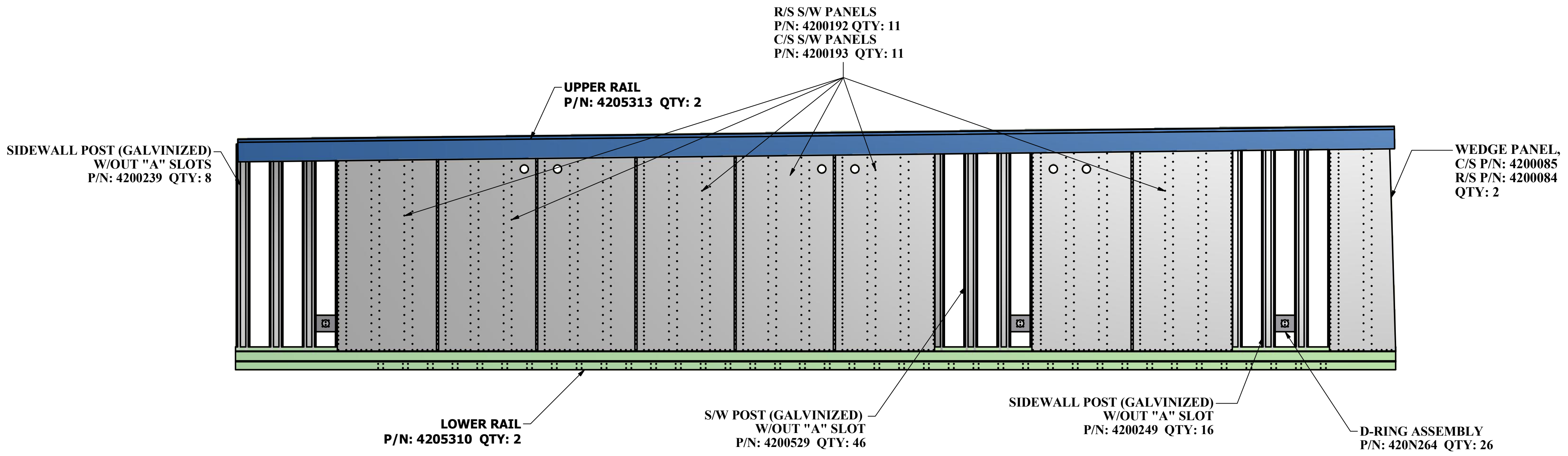
SCUFFBOARD (PLASTIC), 12" x 26' 6-3/4"
NOTE: RECEIVED AT 28' L.

P/N: 3400414 QTY: 4

TORX HEAD SCREW, 1/4"-20 x 1" (BLACK)
P/N: 6400207 QTY: 66

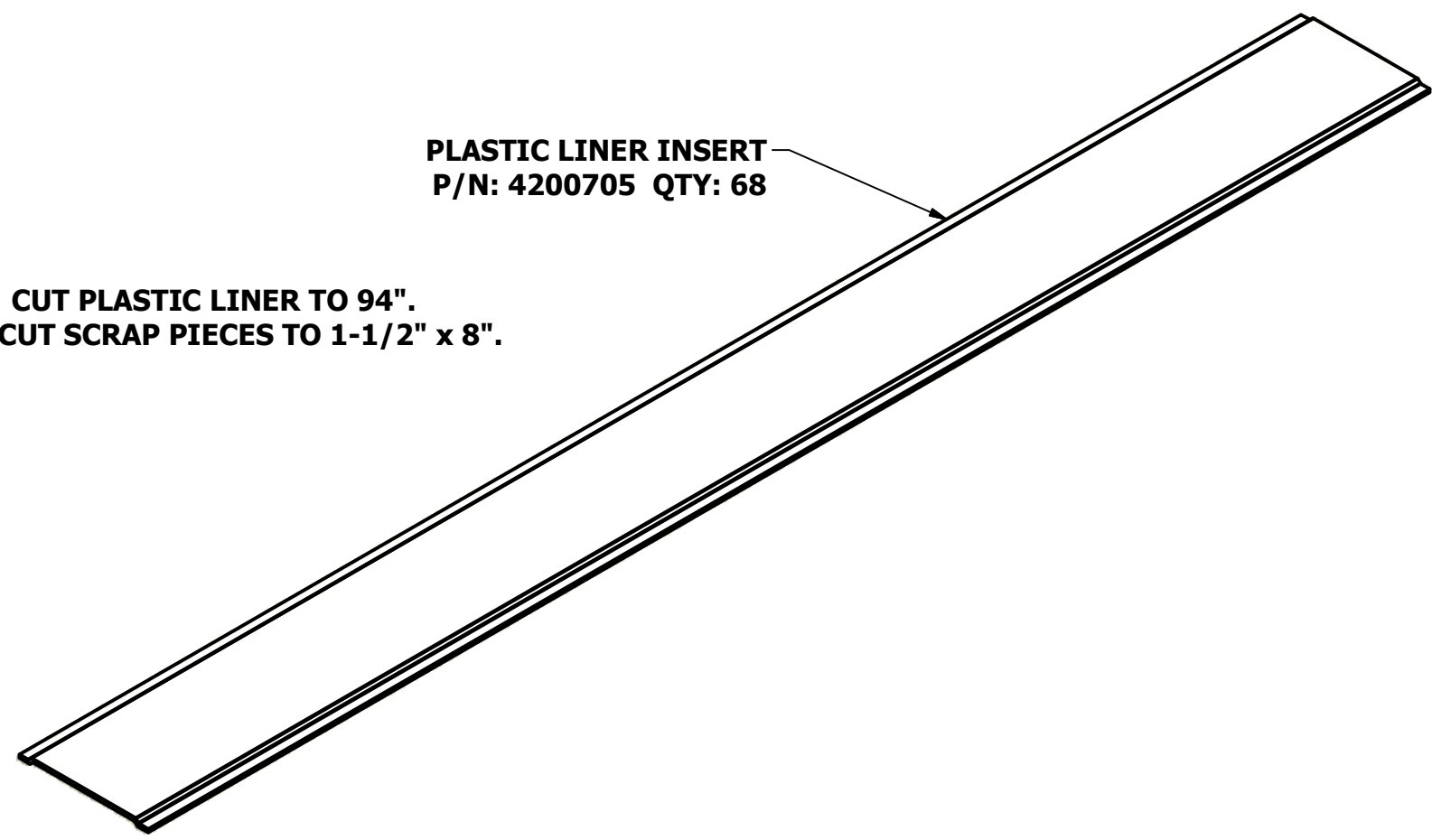


SIDEWALL ASSEMBLY, CWF 48' P/N: 420M003



PLASTIC LINER INSERT
 P/N: 4200705 QTY: 68

NOTE: CUT PLASTIC LINER TO 94".
CUT SCRAP PIECES TO 1-1/2" x 8".



NOTE: PANELS ON 48" CENTERS
POSTS ON 16" CENTERS

PARTS NOT SHOWN

- FLIP SIGN ASSEMBLY**
P/N: 420N566 QTY: 1
- PLACARD HOLDER ASSEMBLY**
P/N: 420N567 QTY: 1
- SIDEWALL INNER PANEL**
P/N: 4200307 QTY: 2
- SCUFFBOARD ASSEMBLY (PLASTIC)**
P/N: 420N087 QTY: 2
- WEDGE PROTECTOR ASSEMBLY, 12"**
P/N: 420N051 QTY: 2

SIDEWALL ASSEMBLY (PLASTIC), CWF 53' TRAILER P/N: 420M012

SIDEWALL INNER PANEL (GALVANIZED)
P/N: 4200306 QTY: 2

R/S PANEL
P/N: 4200086 QTY: 1
C/S PANEL
P/N: 4200087 QTY: 1

**SIDEWALL POST (GALVANIZED),
R/S & C/S W/O "A" SLOTS**
P/N: 4200249 QTY: 16

**SIDEWALL POST (GALVANIZED),
R/S & C/S W/O "A" SLOTS**
P/N: 4200259 QTY: 54

R/S SIDEWALL PANEL, 16" CENTER
P/N: 4200192 QTY: 12
C/S SIDEWALL PANEL, 16" CENTER
P/N: 4200193 QTY: 12

**SIDEWALL POST (GALVANIZED)
R/S & C/S W/O "A" SLOTS**
P/N: 4200239 QTY: 8

FLIP SIGN ASSEMBLY
P/N: 420N566 QTY: 2

S/W LINER (PLASTIC)
P/N: 4200705 QTY: 76

D-RING ASSEMBLY
P/N: 420N264 QTY: 30

PLACECARD HOLDER ASSEMBLY
P/N: 420N567 QTY: 2

UPPER RAIL (EXTENDED)
P/N: 4205315 QTY: 2

LOWER RAIL
P/N: 4205304 QTY: 2

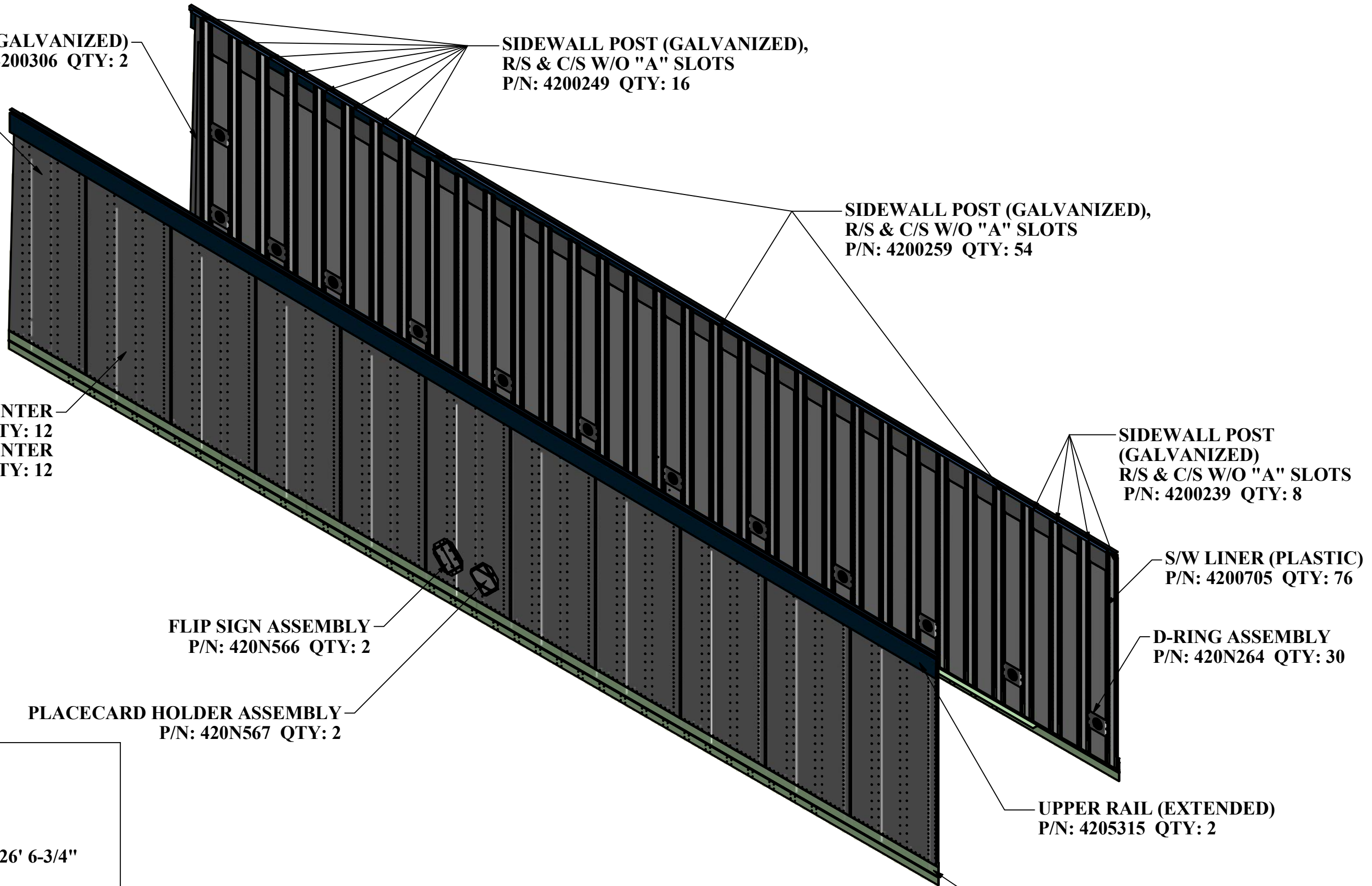
PARTS NOT SHOWN

**DOOR TRACK GUARD WEDGE,
12" SHORT STLYE**
P/N: 4300298 QTY: 2

SCUFFBOARD (PLASTIC), 12" x 26' 6-3/4"
NOTE: RECEIVED AT 28' L.

P/N: 3400414 QTY: 4

TORX HEAD SCREW, 1/4"-20 x 1" (BLACK)
P/N: 6400207 QTY: 66



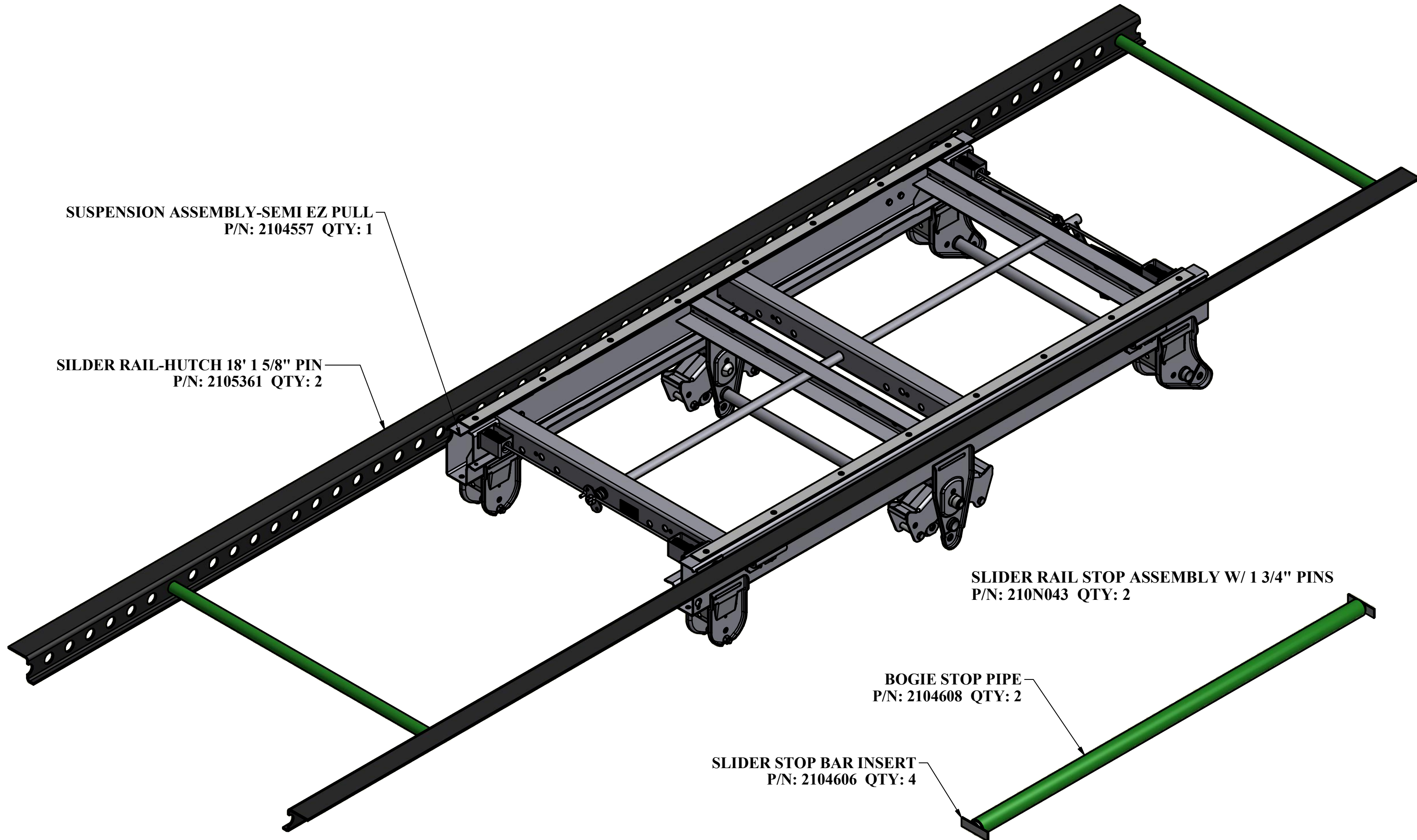
SUSPENSION ASSEMBLY

45', 48' & 53' CON-WAY

CITY SEMI TRAILERS



SUSPENSION ASSEMBLY, CWF 45', 48' & 53' TRAILERS P/N: 210M000



SUSPENSION ASSEMBLY-SEMI EZ PULL
P/N: 2104557 QTY: 1

SLIDER RAIL-HUTCH 18' 1 5/8" PIN
P/N: 2105361 QTY: 2

SLIDER RAIL STOP ASSEMBLY W/ 1 3/4" PINS
P/N: 210N043 QTY: 2

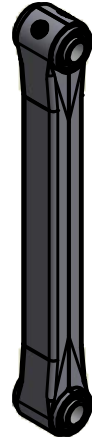
BOGIE STOP PIPE
P/N: 2104608 QTY: 2

SLIDER STOP BAR INSERT
P/N: 2104606 QTY: 4

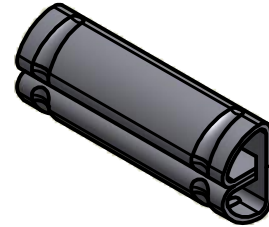
TORQUE ARM ASSEMBLY

P/N: 210N060 QTY: 2

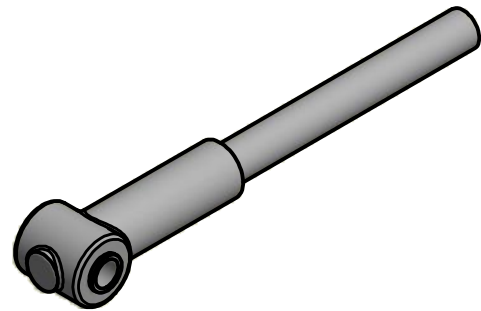
**NON-ADJUSTABLE TORQUE ARM
P/N: 2300107 QTY: 1**



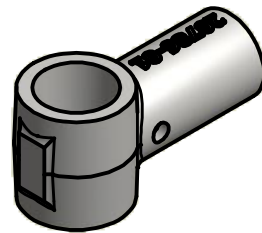
**1/2 ROUND TOP PLATE (FOLDED)
QTY: 2300165 QTY: 2**



**ADJUSTABLE TORQUE ARM (CAST)
P/N: 2300170 QTY: 1**



**TORQUE ARM EYE END (CAST)
P/N: 2300171 QTY: 1**



U BOLT ASSEMBLY, 13 3/4"

P/N: 210N063 QTY: 4

PARTS NOT SHOWN

AXLE SEAT, 3-1/4" x 5" ROUND AXLE

P/N: 2300128 QTY: 2

FLAT HARDNED WASHER, 7/8"

P/N: 6200938 QTY: 4

KIT, SPRING HANGER FASTENERS

P/N: 600N005 QTY: 4

KIT, TORQUE ARM FASTENERS

P/N: 600N006

NUT, 7/8"-14 HIGH 2B

P/N: 6100876 QTY: 4

REAR HANGER RUBBER BUSHING

P/N: 2300150 QTY: 2

ROUND AXLE BOTTOM PLATE, 5"

P/N: 2300119 QTY: 4

SPRING, 3 LEAF LOW ARCH

P/N: 2300163 QTY: 4

U BOLT, 13 3/4"

P/N: 2300906 QTY: 2

WEAR PAD, SPRINGER HANGER

P/N: 2300111 QTY: 4

