

CONWAY
FREIGHT
28' TRAILER
NEW
&
REFURB

CWF

28' TRAILER

***AIR BRAKE
ASSEMBLIES***

PARTS BOOK

2008

ABS VALVE ASSEMBLY MERITOR / WABCO 2S/1M

7001218 (2)
ABS SENSOR
MERITOR 441-713-8080

7001223 (2)
JUMPER, ABS SENSOR
MERITOR 449-713-0180-72"

70012224 (2)
CLIP, ABS SENSOR
MERITOR 899-759-8154

7001232 (1)
POWER HARNESS, 10'
MERITOR 449-326-0300

7001229 (1)
MERITOR / WABCO
ABS MODULE
S 400 500 1010

6000375 (2)
BOLT, GRADE 8
3/8"-16 x 1 1/4"

6100377 (2)
NYLOK NUT
3/8"-16

6200378 (2)
FLAT WASHER
3/8"

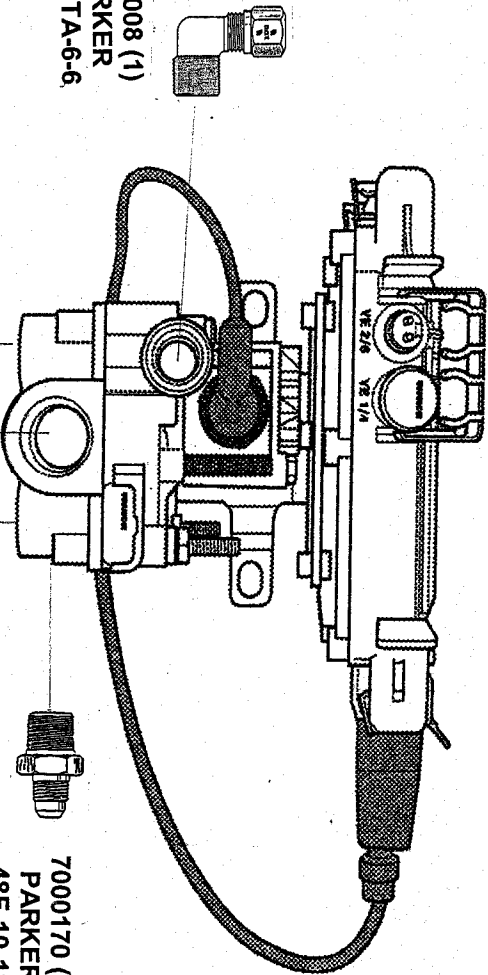
7045008 (1)
PARKER
269NTA-6-6

7000154 (2)
PARKER
48F-10-6

7000856 (1)
3/4" NPT
PIPE PLUG

7000851 (2)
3/8" NPT
PIPE PLUG

7000170 (1)
PARKER
48F-10-12



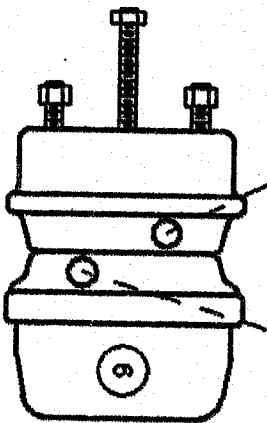
CON-WAY FREIGHT TRAILERS

AIR BRAKE CHAMBERS AND CONNECTORS S-CAM BRAKE AXLES

7000203 (2)
PARKER
159F-10-6



SERVICE



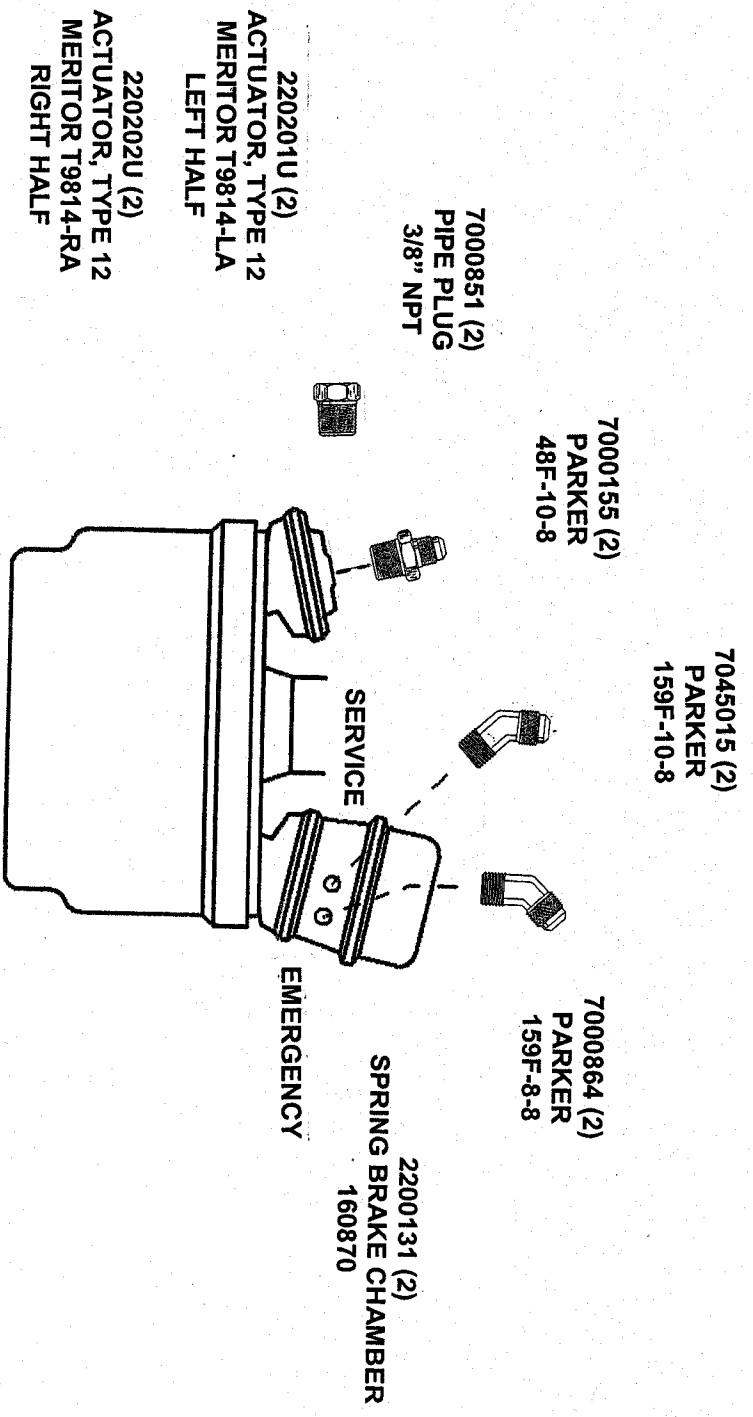
EMERGENCY

7000864 (2)
PARKER
159F-8-6

2200199 (2)
AIR BRAKE CHAMBER
3030 LC
HALDEX 166101

CON-WAY FREIGHT TRAILERS

AIR BRAKE CHAMBERS AND CONNECTORS WEDGE BRAKE AXLES



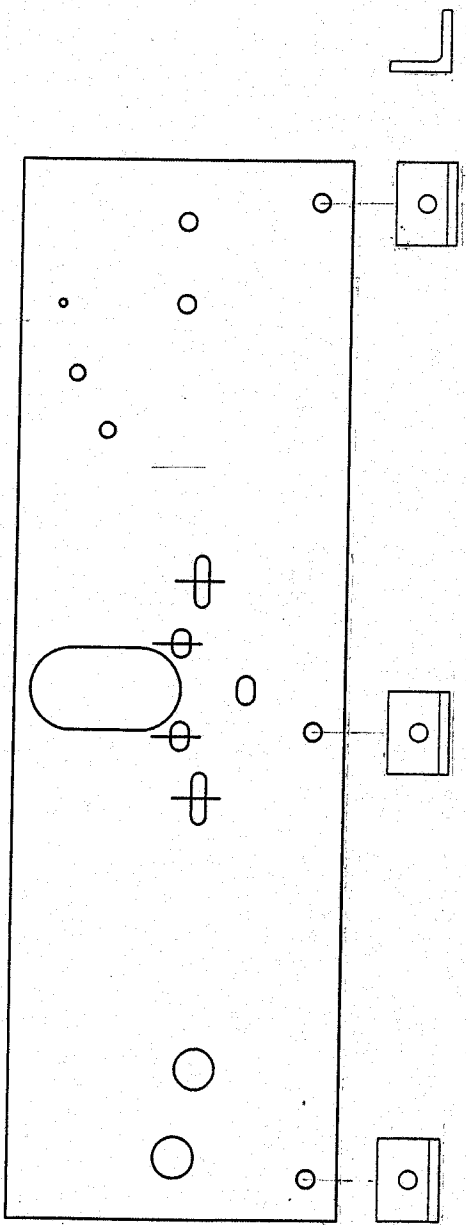
CON-WAY FREIGHT TRAILERS

AIR BRAKE VALVE - MOUNTING PLATE ASSEMBLY

6000375 (3)
BOLT, GRADE 8
3/8"-16x1 1/2"

1004201 (3)
ANGLE, PLATE MOUNTING

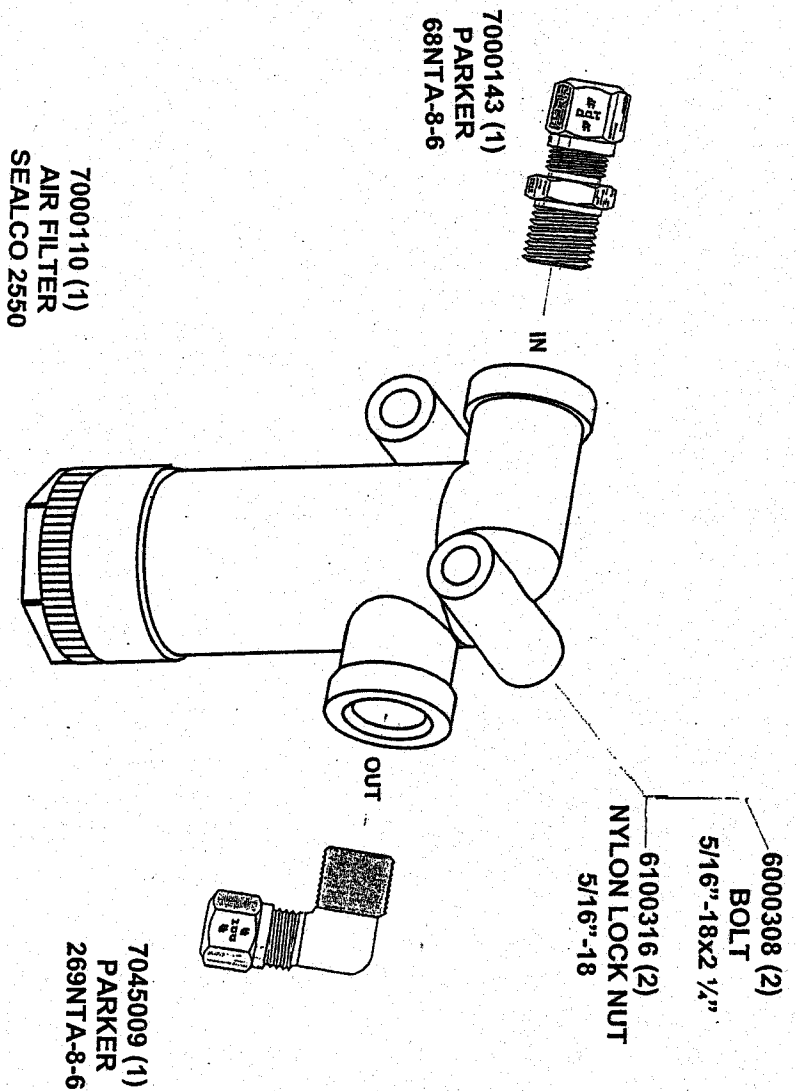
6100377 (3)
NYLOK NUT
3/8"-16



7000046 (1)
PLATE, AIR BRAKE
VALVE MOUNTING

CON-WAY FREIGHT TRAILERS

AIR FILTER ASSEMBLY



CON-WAY FREIGHT TRAILERS

AIR HOSE CHART

CWF 28' TRAILER

S-CAM AXLES

WITH REAR GLADHANDS

AIR BRAKE HOSE ASSEMBLY

7000968 42' - 6" 1/2" BLACK NYLON TUBE

7000971 29' - 6" 3/8" BLUE NYLON TUBE

7100007 1 NO. 8 HOSE ASSY. @ 25"

SPRING BRAKE VALVE TO AIR CHAMBER

7100022 2 NO. 10 HOSE ASSY. @ 29"

SERVICE RELAY OR ABS VALVE TO CURBSIDE AIR CHAMBER
SERVICE RELAY OR ABS VALVE TO ROADSIDE AIR CHAMBER

7100023 1 NO. 10 HOSE ASSY. @ 9 3/4"

SERVICE RELAY OR ABS VALVE TO AIR TANK

7100024 1 NO. 8 HOSE ASSY. @ 35"

SPRING BRAKE VALVE TO AIR CHAMBER

NOTE:

MEASUREMENTS INDICATE THE AIR BRAKE HOSE LENGTH, NOT INCLUDING THE HOSE ENDS.

AIR HOSE CHART

CWF 28' TRAILER

WEDGE AXLES

WITH REAR GLADHANDS

AIR BRAKE HOSE ASSEMBLY

7000968 42' - 6" 1/2" BLACK NYLON TUBE

7000971 29' - 6" 3/8" BLUE NYLON TUBE

7100033 1 NO. 8 HOSE ASSY. @ 32"

SPRING BRAKE TO CURBSIDE AIR CHAMBER

7100005 1 NO. 8 HOSE ASSY. @ 38"

SPRING BRAKE TO ROADSIDE AIR CHAMBER

7000121 1 NO. 10 HOSE ASSY. @ 28"

SERVICE RELAY VALVE TO FRONT AIR CHAMBER CURBSIDE

70002330 2 NO. 10 HOSE ASSY. @ 36"

SERVICE RELAY VALVE TO REAR AIR CHAMBER CURBSIDE

SERVICE RELAY VALVE TO REAR AIR CHAMBER ROADSIDE

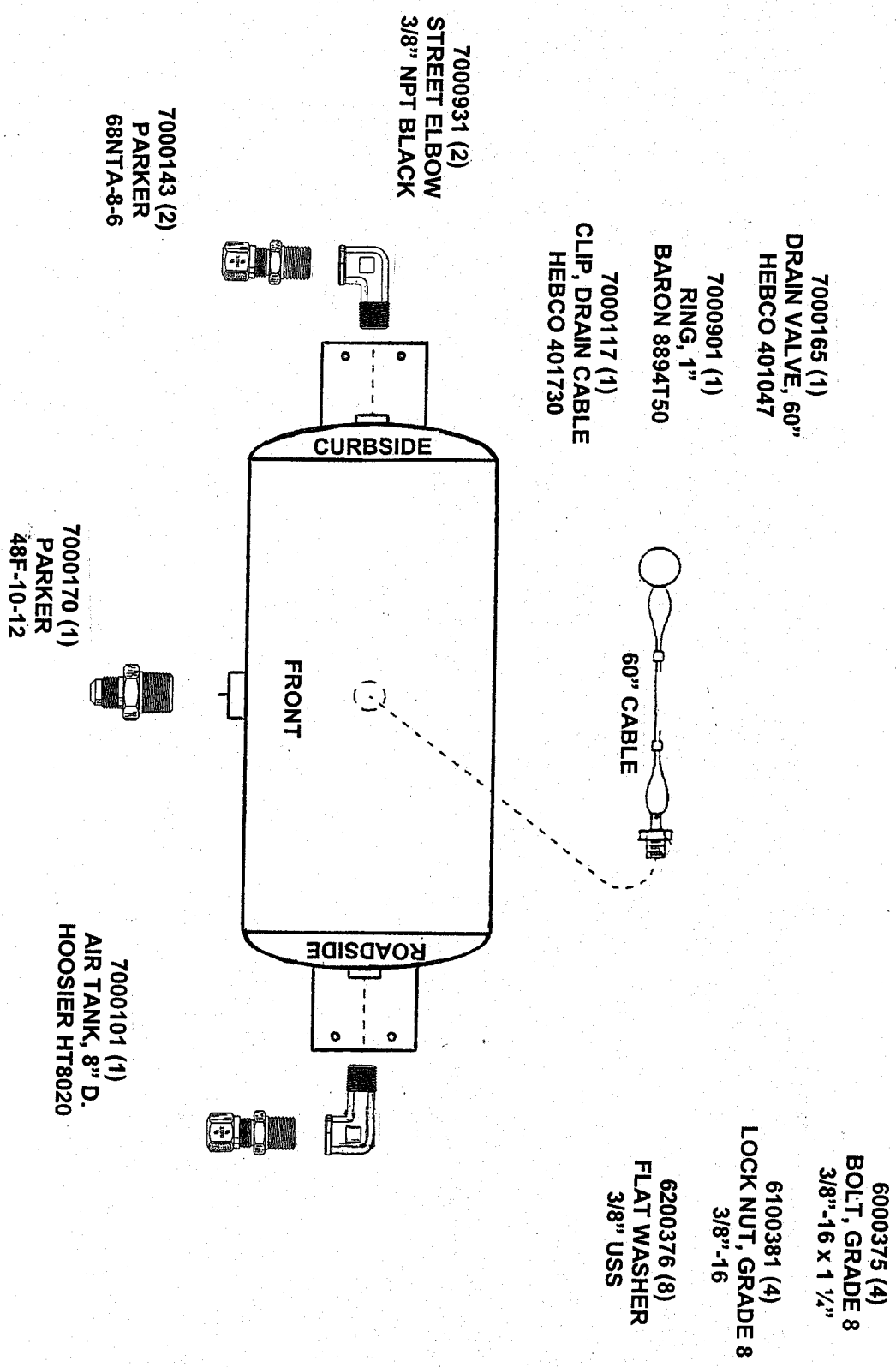
7100023 1 NO. 10 HOSE ASSY. @ 9 3/4" AIR TANK

SERVICE RELAY VALVE TO AIR TANK

NOTE:

MEASUREMENTS INDICATE THE AIR BRAKE HOSE LENGTH, NOT INCLUDING THE HOSE ENDS.

AIR TANK ASSEMBLY



7000165 (1)
DRAIN VALVE, 60"
HEBCO 401047

7000901 (1)
RING, 1"
BARON 8894T50

7000117 (1)
CLIP, DRAIN CABLE
HEBCO 401730

60" CABLE

6000375 (4)
BOLT, GRADE 8
3/8"-16 x 1 1/2"
6100381 (4)
LOCK NUT, GRADE 8
3/8"-16

6200376 (8)
FLAT WASHER
3/8" USS

7000931 (2)
STREET ELBOW
3/8" NPT BLACK

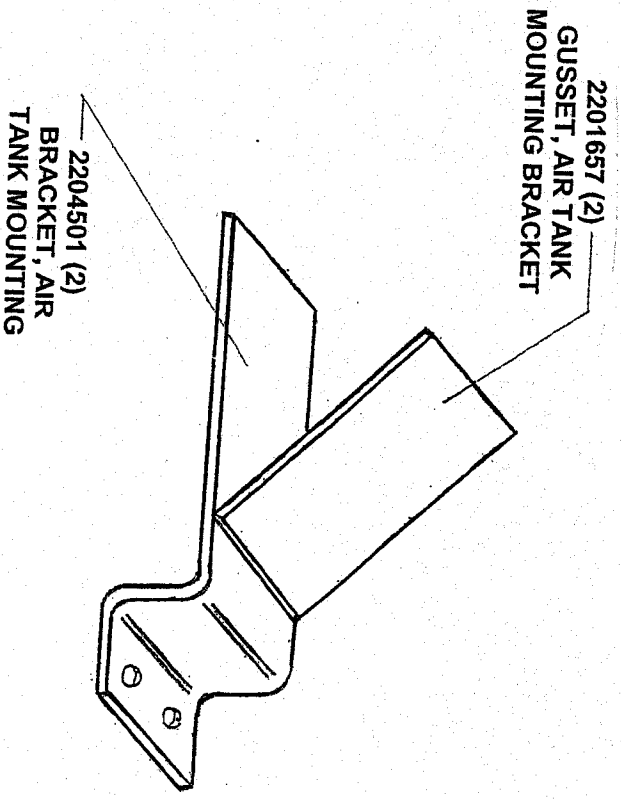
7000143 (2)
PARKER
68NTA-8-6

7000170 (1)
PARKER
48F-10-12

7000101 (1)
AIR TANK, 8" D.
HOOSIER HT8020

CON-WAY FREIGHT TRAILERS

AIR TANK MOUNTING BRACKET ASSEMBLY



2201657 (2)
GUSSET, AIR TANK
MOUNTING BRACKET

2204501 (2)
BRACKET, AIR
TANK MOUNTING

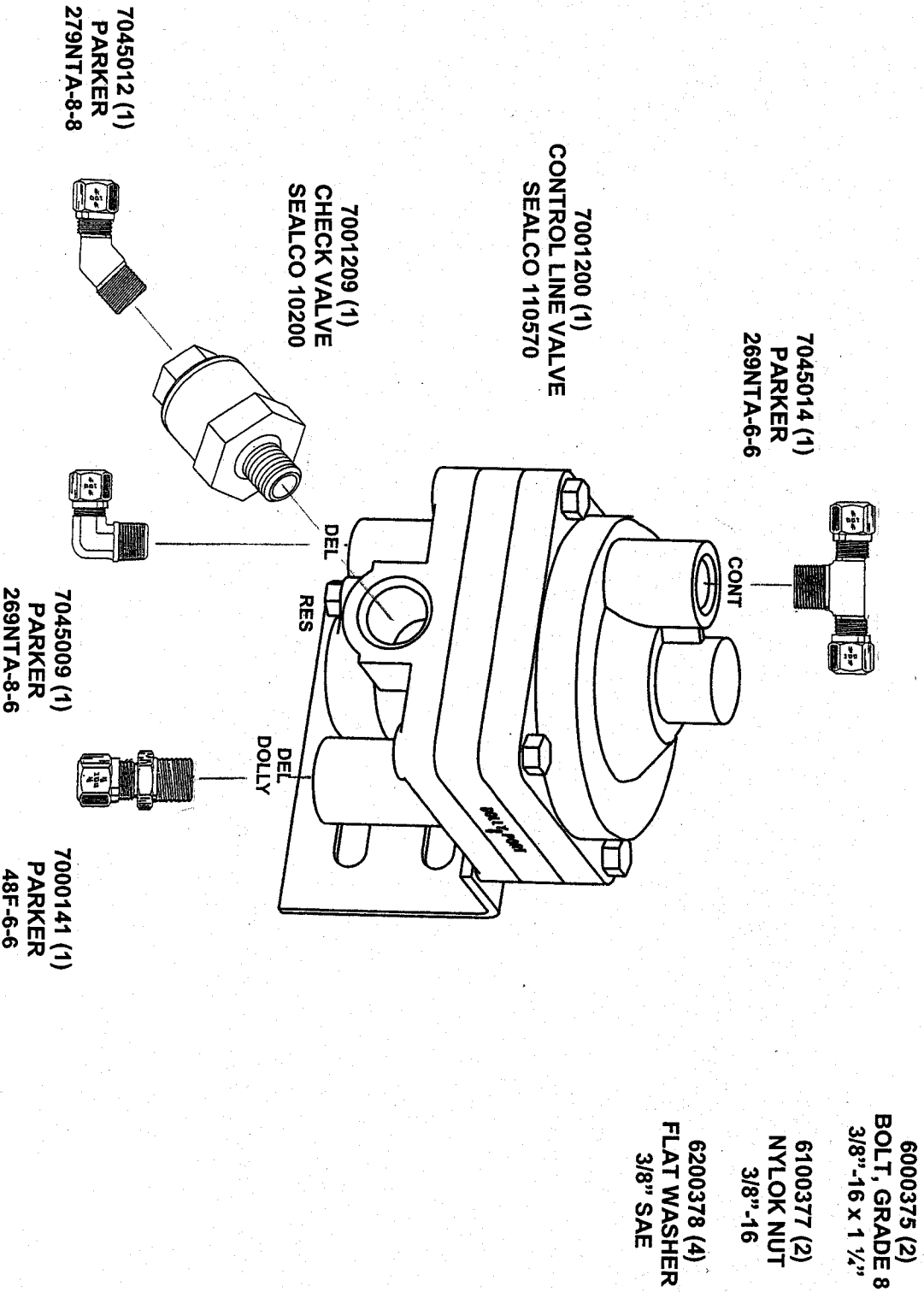
6000375 (4)
BOLT, GRADE 8
3/8"-16 x 1 1/2"

6100381 (4)
LOCK NUT, GRADE 8
3/8"-16

6200376 (8)
FLAT WASHER
3/8" USS

CON-WAY FREIGHT TRAILERS

CONTROL LINE VALVE ASSEMBLY



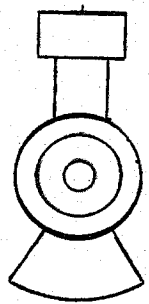
CON-WAY FREIGHT TRAILERS

GLADHAND ASSEMBLIES DOOR FRAME

7000143 (2)
PARKER
68NTA-8-6

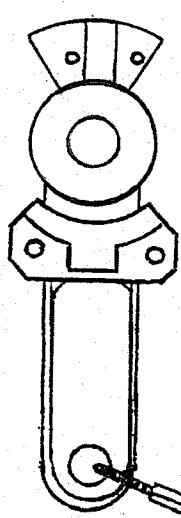


7000188 (2)
TRAMEC
50001

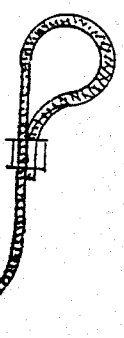


7000022 (1)
SERVICE GLADHAND
PHILLIPS 12-006238BK

7000023 (1)
EMERGENCY GLADHAND
PHILLIPS 12-008238BK



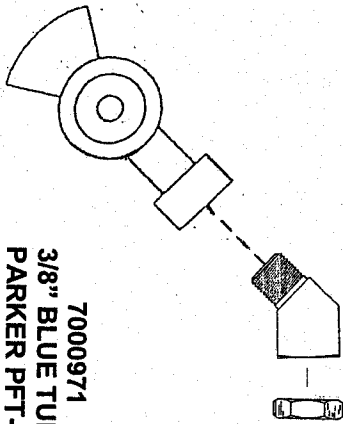
7000017 (2)
DUMMY GLADHAND
PHILLIPS 012-0100-16



CON-WAY FREIGHT TRAILERS

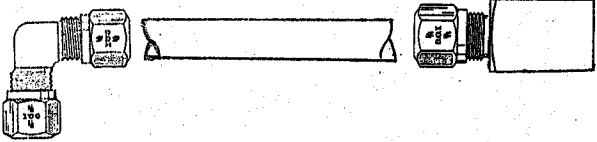
GLADHAND ASSEMBLY - FLUSH MOUNT FORWARD WALL

7000177 (2)
PARKER
2214P-8-8



7000971
3/8" BLUE TUBE
PARKER PFT-6B

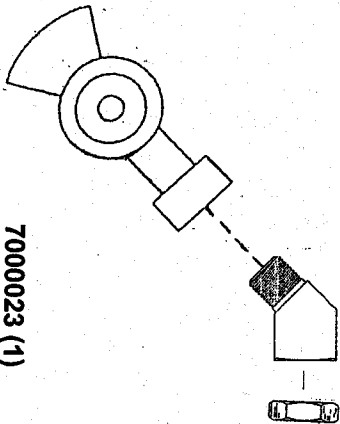
7000030 (1)
PARKER
E-2203.12



7000022 (1)
SERVICE GLADHAND
PHILLIPS 12-008238BK

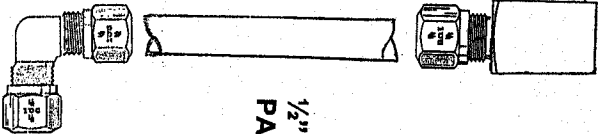
7000180 (1)
PARKER
265NTA-6

7000031 (1)
PARKER
E-2204.12



7000023 (1)
EMERGENCY GLADHAND
PHILLIPS 12-008238BK

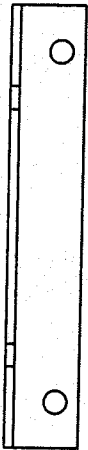
7000968
1/2" BLACK TUBE
PARKER PFT-8B



7000181 (1)
PARKER
265NTA-8

CON-WAY FREIGHT TRAILERS

**MOUNTING BRACKET ASSEMBLIES
SERVICE RELAY VALVE**

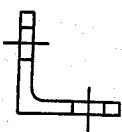
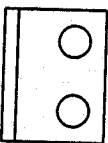
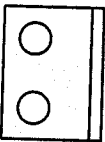


7000042 (1)
MOUNTING BRACKET
SERVICE RELAY VALVE

6000310 (2)
BOLT, GRADE 8
5/16"-18 x 1"

6100316 (2)
NYLON NUT
5/16"-18

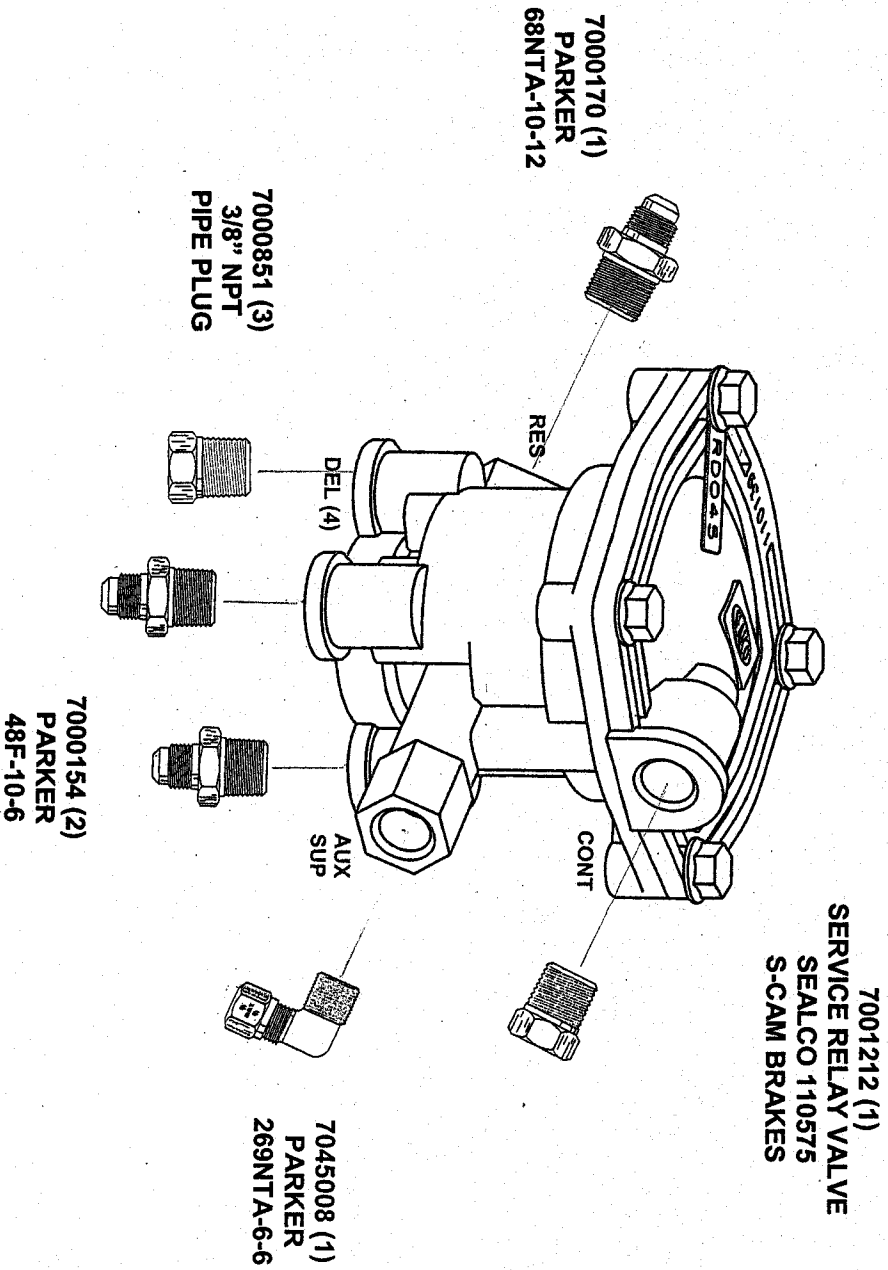
6200312 (2)
FLAT WASHER
5/16"



7000005 (2)
MOUNTING BRACKET
SERVICE RELAY VALVE

CON-WAY FREIGHT TRAILERS

SERVICE RELAY VALVE ASSEMBLY S-CAM AXLE

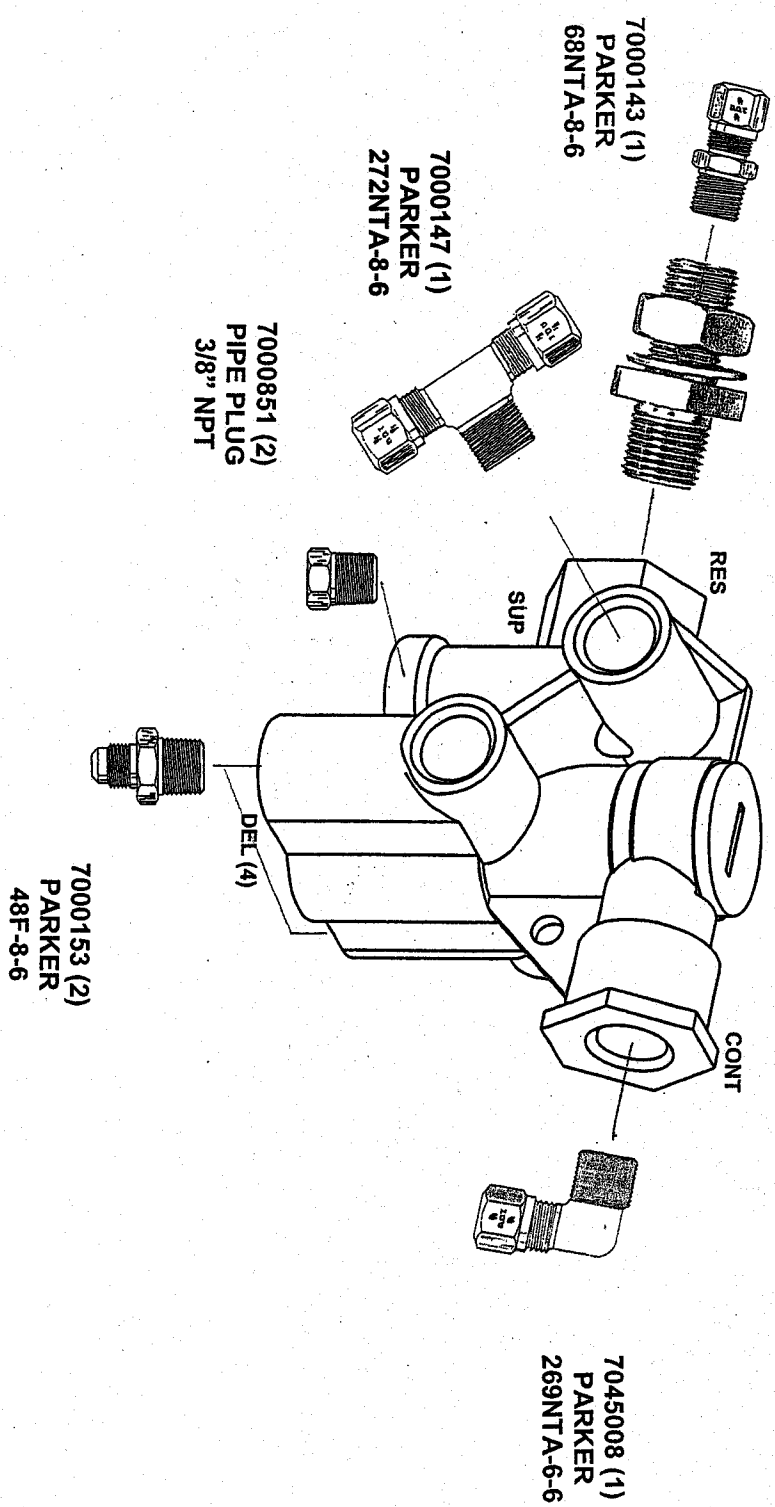


CON-WAY FREIGHT TRAILERS

SPRING BRAKE VALVE ASSEMBLY S-CAM AXLE

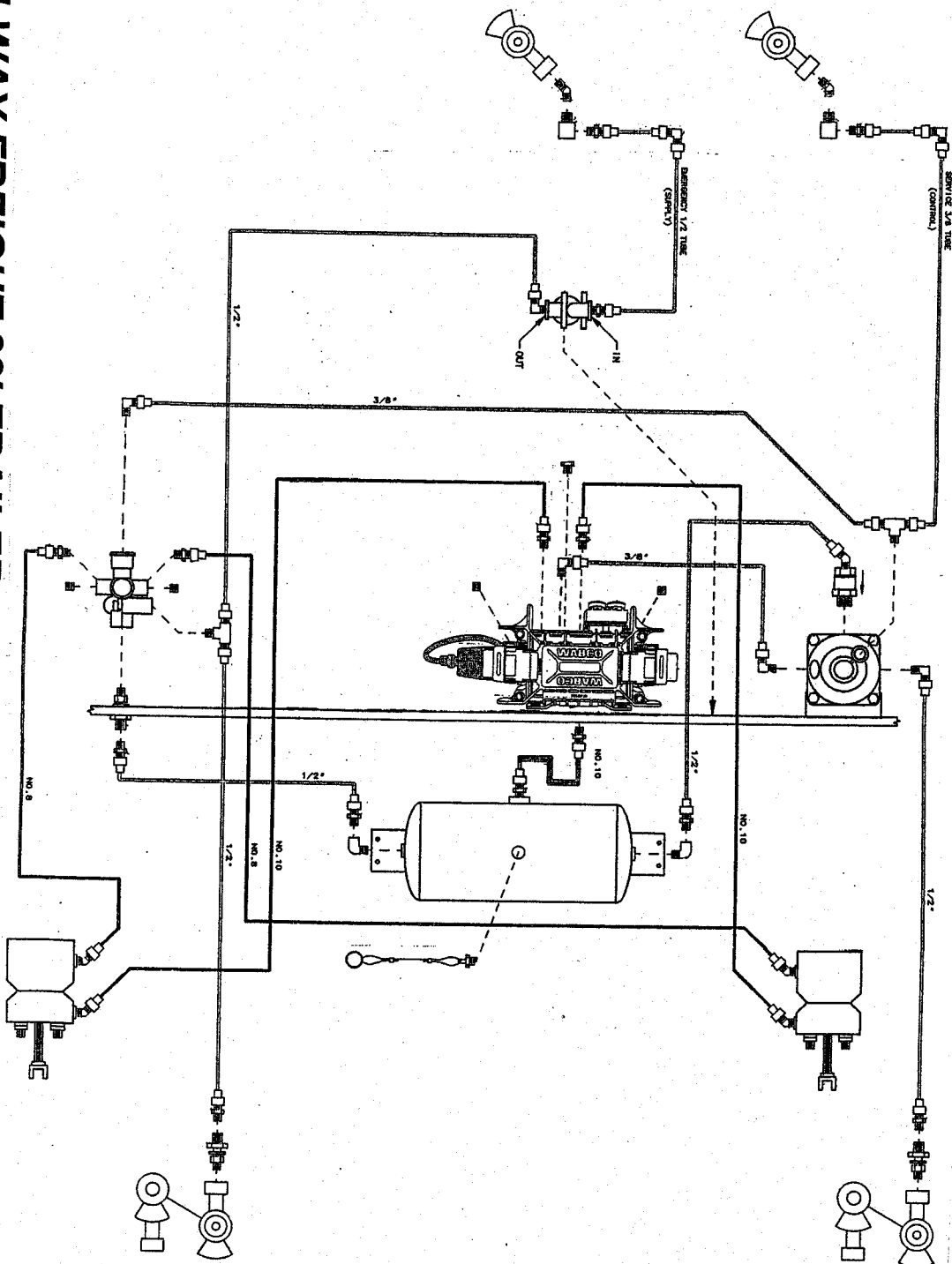
7000188 (1)
BULKHEAD CONNECTOR
TRAMEC 50001

7001213 (1)
SPRING BRAKE VALVE
SEALCO 110700



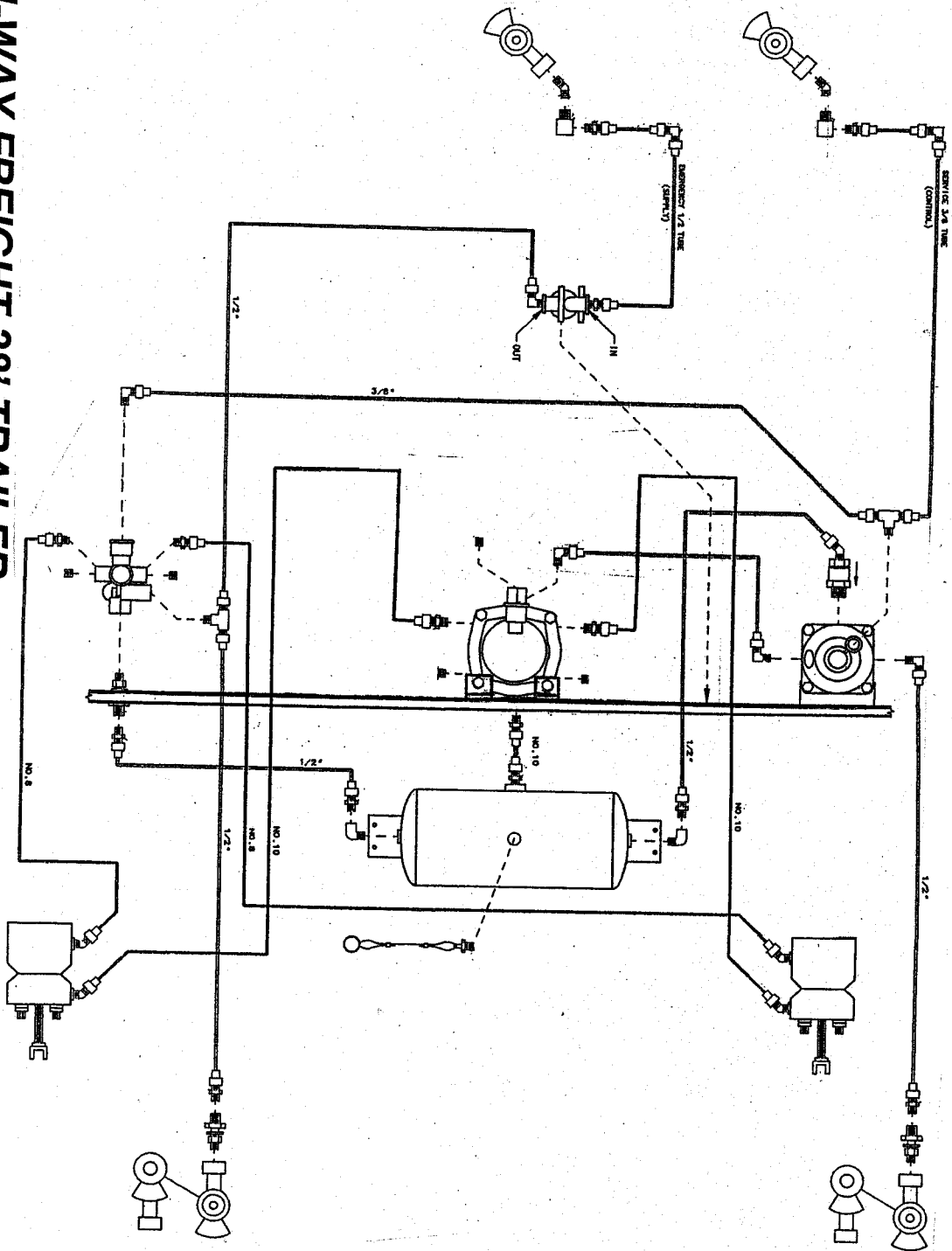
CON-WAY FREIGHT TRAILERS

WABCO 2S/1M ABS BRAKE SCHEMATIC S-CAM AXLE



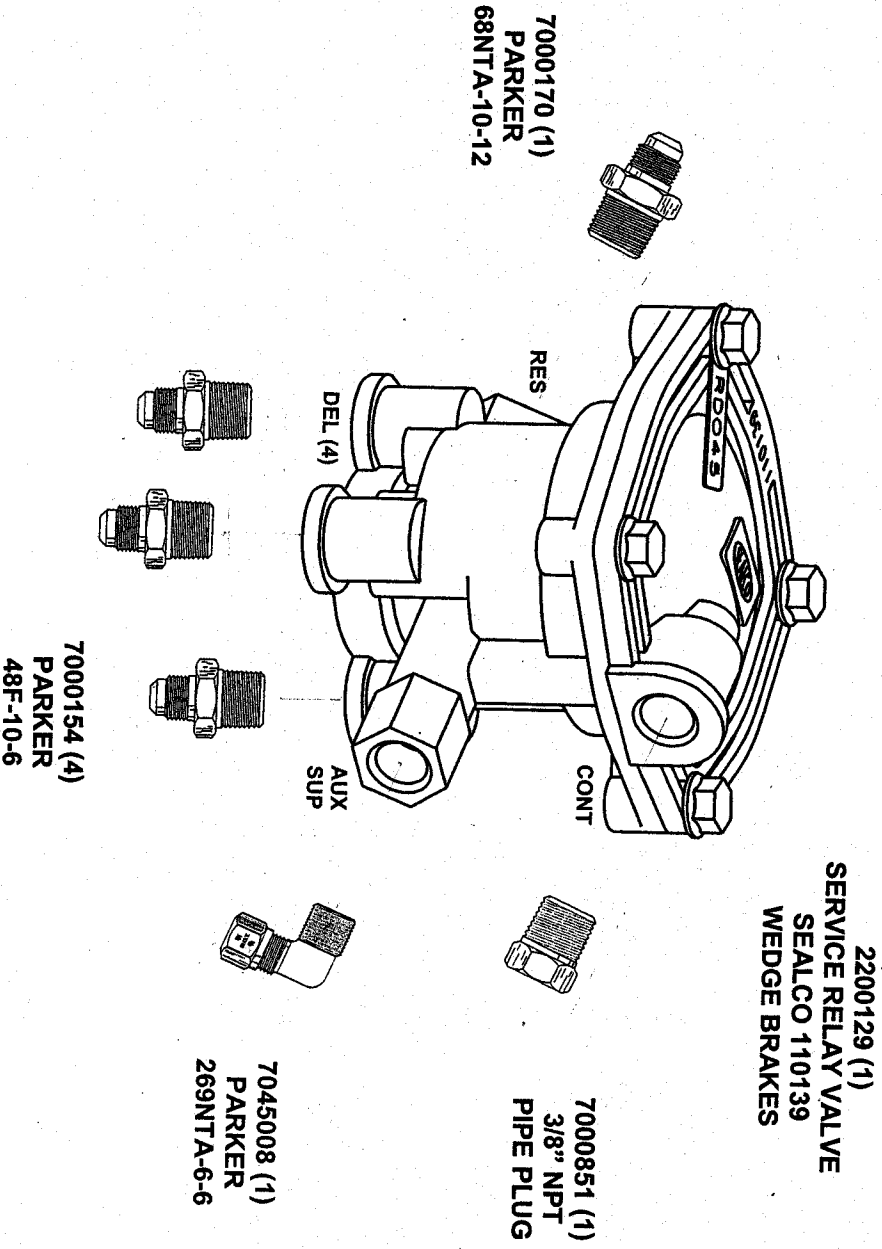
CON-WAY FREIGHT 28' TRAILER

NON-ABS BRAKE SCHEMATIC S-CAM AXLE



CON-WAY FREIGHT 28' TRAILER

SERVICE RELAY VALVE ASSEMBLY WEDGE AXLE



CON-WAY FREIGHT TRAILERS

SPRING BRAKE VALVE ASSEMBLY WEDGE AXLE

7000188 (1)
BULKHEAD CONNECTOR
TRAMEC 50001

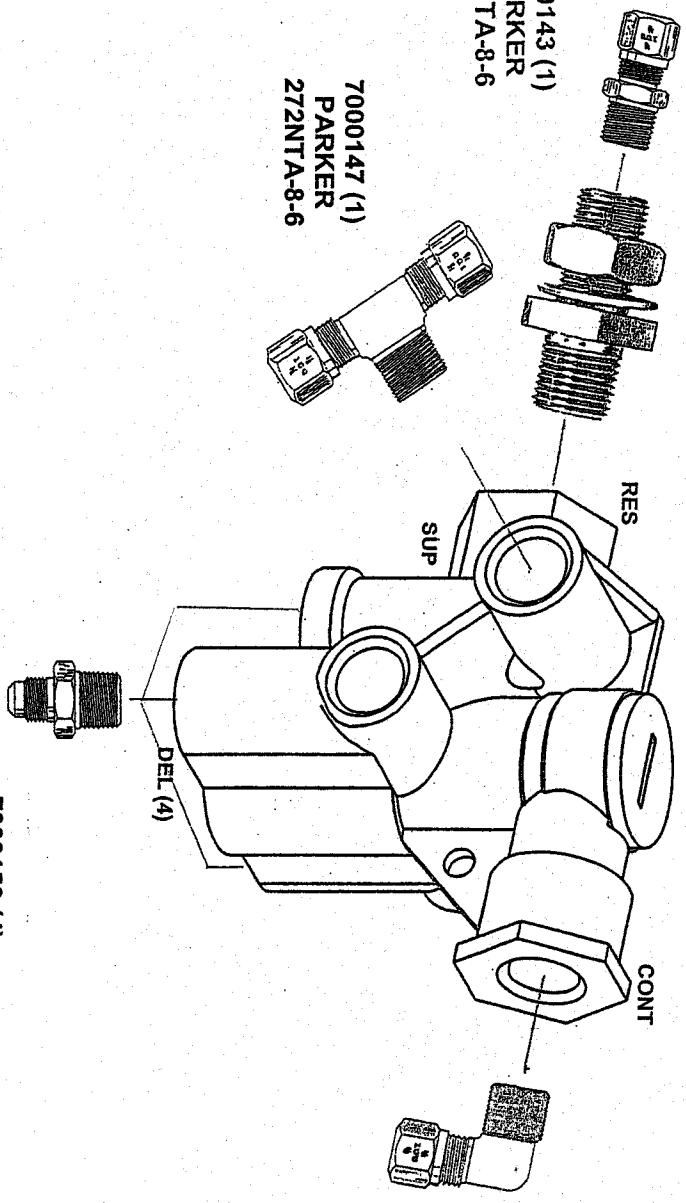
7001213 (1)
SPRING BRAKE VALVE
SEALCO 110700

7000143 (1)
PARKER
68NTA-8-6

7000147 (1)
PARKER
272NTA-8-6

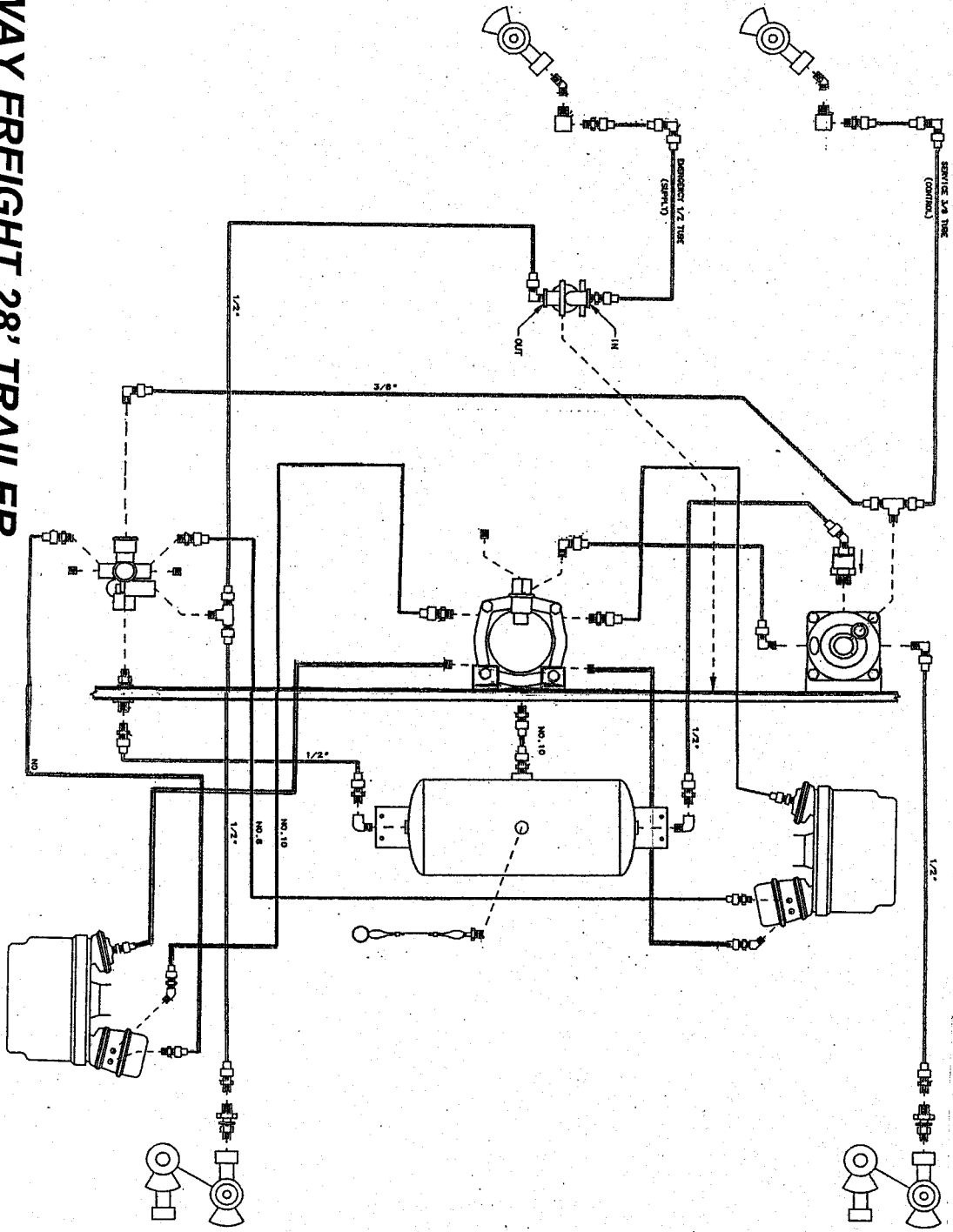
7045008 (1)
PARKER
269NTA-6-6

7000153 (4)
PARKER
48F-8-6



CON-WAY FREIGHT TRAILERS

NON-ABS BRAKE SCHEMATIC WEDGE AXLE



CON-WAY FREIGHT 28' TRAILER

CWF

28' TRAILER

AXLE ASSEMBLY

2008

AXLE WHEEL END ASSEMBLY REFURBISHED S-CAM AXLE WITH 22.5" TIRES

2200031 (2) _____
BRACKET, SLACK ADJUSTER
HALDEX 427-40569

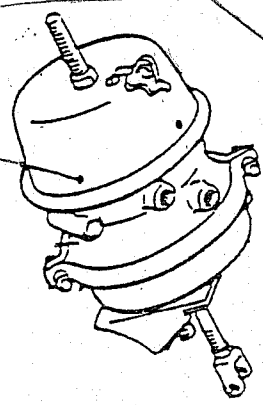
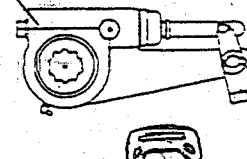
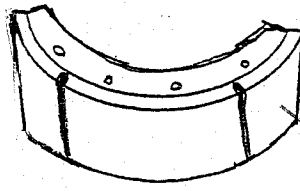
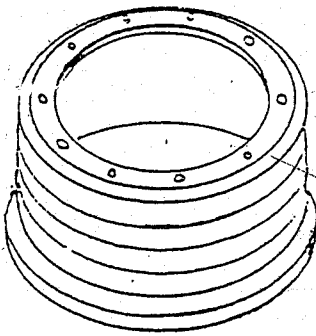
2200236 (20) _____
WHEEL STUD, 33 MM
CON-MET 102188

2200159 (2) _____
BRAKE DRUM, 16.5" x 8"
HAYES 91792B

2200164 (4) _____
BRAKE SHOE 16.5" x 8"
SMA2124718QP

2200019 (2) _____
CLEVIS, SLACK
HALDEX CF2 5/8"-18

2405302 (20) _____
WHEEL NUT, 33 MM
Mc CLAN-FOGG



6000310 (12) _____
BOLT, 5/16"-18x1"

6200313 (12) _____
LOCK WASHER, 5/16"

2200049 (2) _____
5.5" SLACK ADJUSTER
HALDEX 409-10979

2200199 (2) _____
AIR BRAKE CHAMBER
HALDEX 3030LC 166101

2200187 (2) _____
GASKET, HUB CAP
STEMCO 330-3009

9100203 (2) _____
PRO-TORQUE NUT
STEMCO 4474743

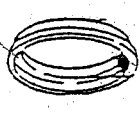
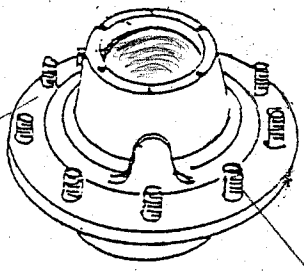
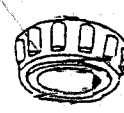
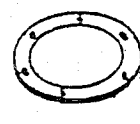
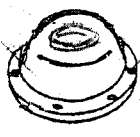
2200118 (2) _____
WHEEL BEARING - INNER
STEMCO KHM 218248

2200183 (2) _____
"ESP" HUB CAP
STEMCO 350-4009

2200117 (2) _____
WHEEL BEARING - OUTER
STEMCO KHM212049

2200018 (2) _____
PILOTTED HUB, ABS
CON-MET 105775

2200216 (2) _____
DISCOVER WHEEL SEAL
STEMCO 373-0243

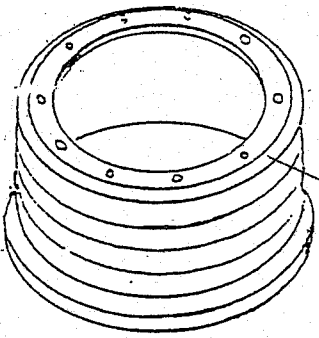


CON-WAY FREIGHT TRAILER

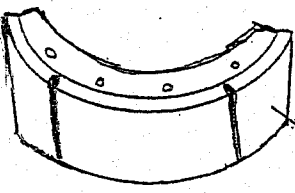
AXLE WHEEL END ASSEMBLY REFURBISHED S-CAM AXLE WITH 24.5" TIRES

2200031 (2) _____
BRACKET, SLACK ADJUSTER
HALDEX 427-40569

2200159 (2) _____
BRAKE DRUM, 16.5" x 8"
HAYES 91792B



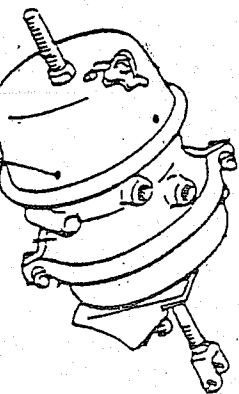
2200164 (4) _____
BRAKE SHOE 16.5" x 8"
SMA2124718QP



2200019 (2) _____
CLEVIS, SLACK
HALDEX CF2 5/8"-18



2200049 (2) _____
5.5" SLACK ADJUSTER
HALDEX 409-10979



2200199 (2) _____
AIR BRAKE CHAMBER
HALDEX 3030LC 166101

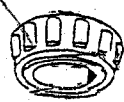
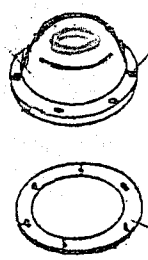
6000310 (12) _____
BOLT, 5/16"-18x1"

6200313 (12) _____
LOCK WASHER, 5/16"

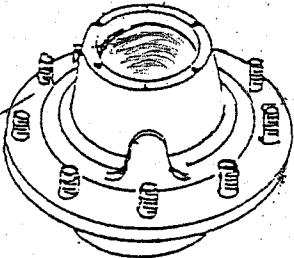
2200187 (2) _____
GASKET, HUB CAP
STEMCO 330-3009

9100203 (2) _____
PRO-TORQUE NUT
STEMCO 4474743

2200183 (2) _____
"ESP" HUB CAP
STEMCO 350-4009



2200117 (2) _____
WHEEL BEARING - OUTER
STEMCO KHM212049



2200014 (1) _____
HUB, L.H. - ABS
CON-MET 106817

1009996 (1) _____
PRE-SET HUB, L.H. - ABS
CON-MET 10009996

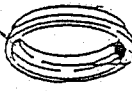
2200015 (1) _____
HUB, R.H. - ABS
CON-MET 106818

1009997 (1) _____
PRE-SET HUB, R.H. - ABS
CON-MET 1000997

2200118 (2) _____
WHEEL BEARING - INNER
STEMCO KHM 218248



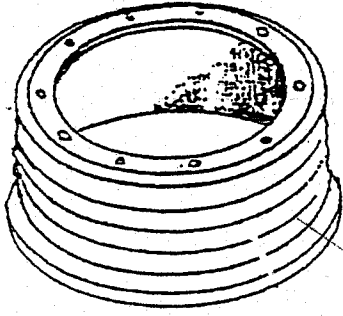
2200216 (2) _____
DISCOVER WHEEL SEAL
STEMCO 373-0243



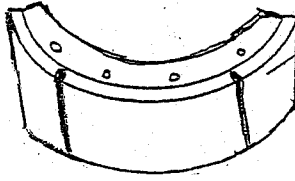
CON-WAY FREIGHT TRAILER

AXLE WHEEL END ASSEMBLY REFURBISHED WEDGE AXLE WITH 24.5"

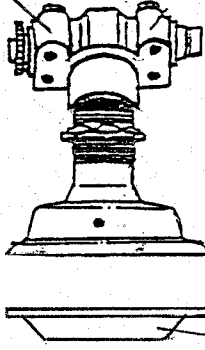
2200126 (2)
BRAKE DRUM, 15"x7"
MOTOR WHEEL 87128B



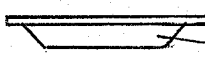
220168W (4)
BRAKE SHOE



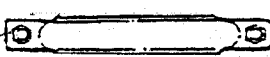
2200204 (4)
DIAPHRAM
1264003



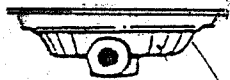
220201U (2)
ACTUATOR, L.H.
19814-LA YEL
220202U (2)
ACTUATOR, R.H.
19814-RA RED



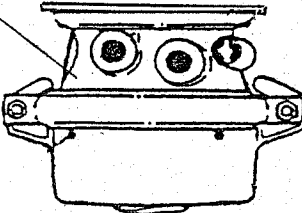
2200204 (4)
CLAMP RING
NA1264003



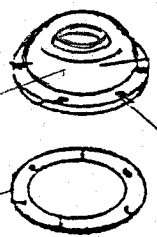
2200010 (2)
CHAMBER CAP
P-4403



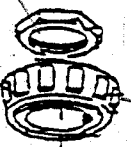
2200131 (2)
AIR BRAKE CHAMBER
160870



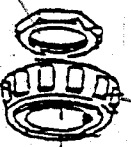
6000310 (12)
BOLT 5/16"-18x1"
6200313 (12)
LOCKWASHER, 5/16"



2200117 (2)
BEARING, OUTER
STEMCO KHM212049

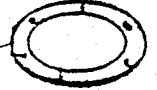


9100203 (2)
PRO-TORQUE NUT
MERITOR 4474743



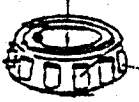
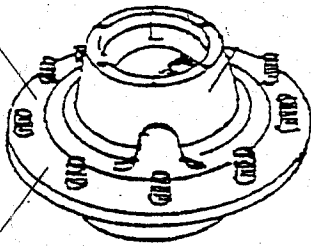
2200183 (2)
"ESP" HUB CAP
STEMCO 350-4009

2200187 (2)
GASKET, HUB CAP
330-3009



2200210 (1)
HUB, L.H. NON-ABS
CON-MET 105920

2200214 (1)
HUB, R.H. - ABS
CON-MET 105735



2200118 (2)
BEARING, INNER
STEMCO KHM218248

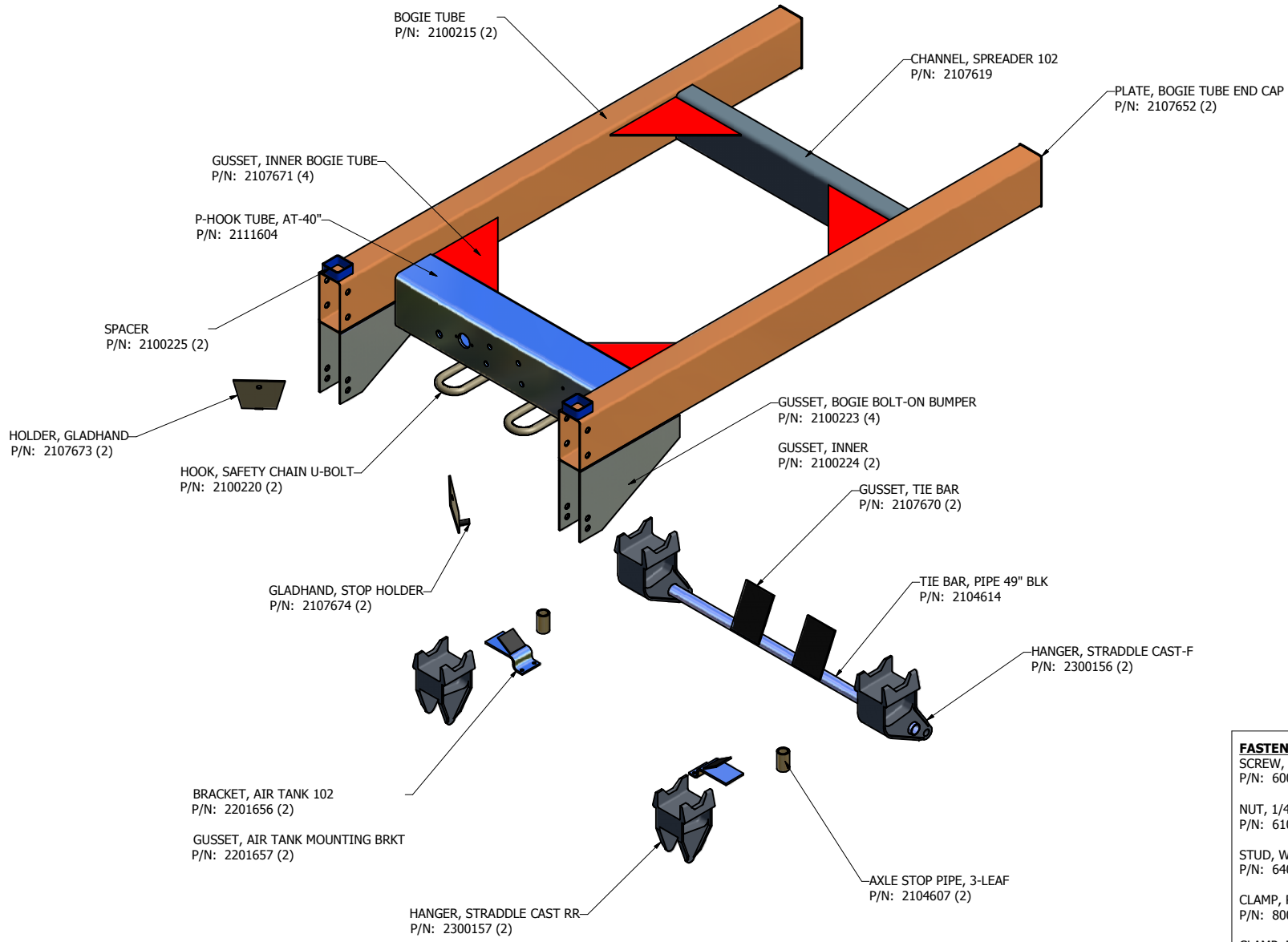


2200216 (2)
DISCOVER WHEEL SEAL
373-0243



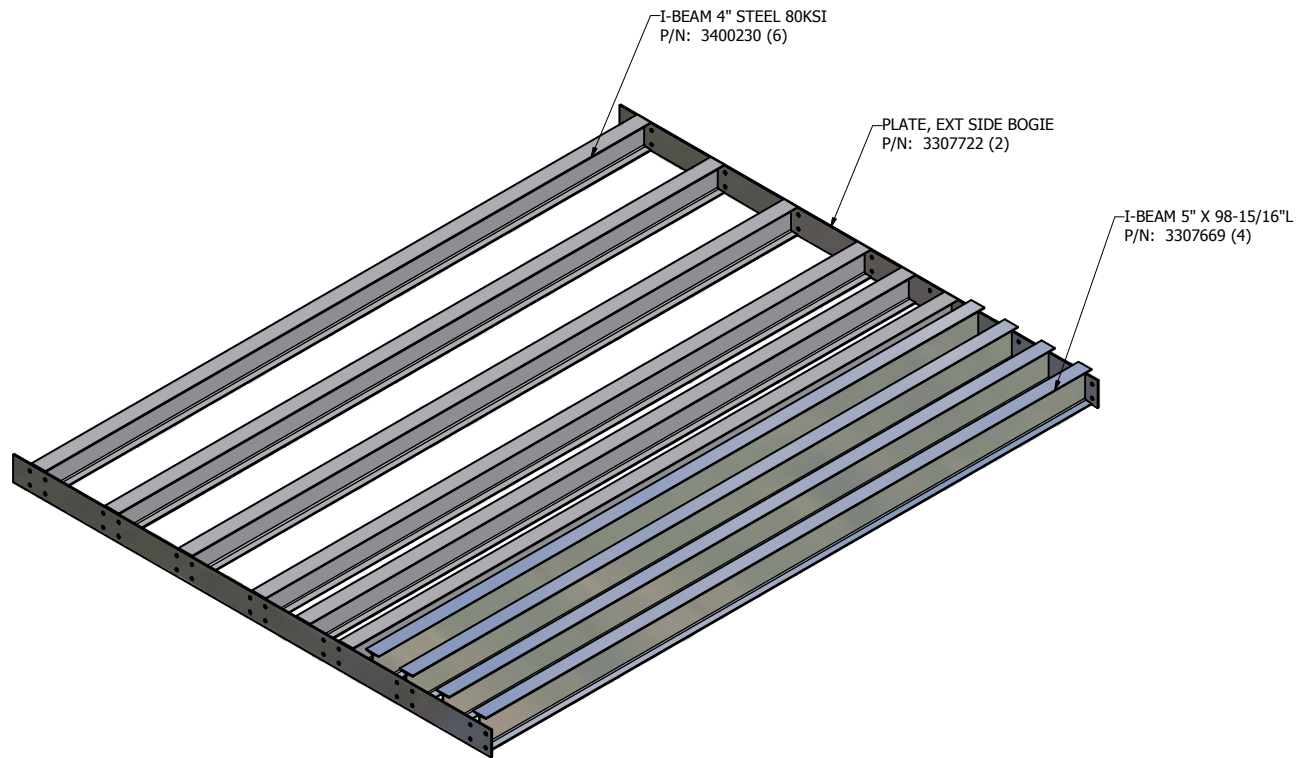
CON-WAY FREIGHT TRAILER

BOGIE FRAME ASSEMBLY (210M285)

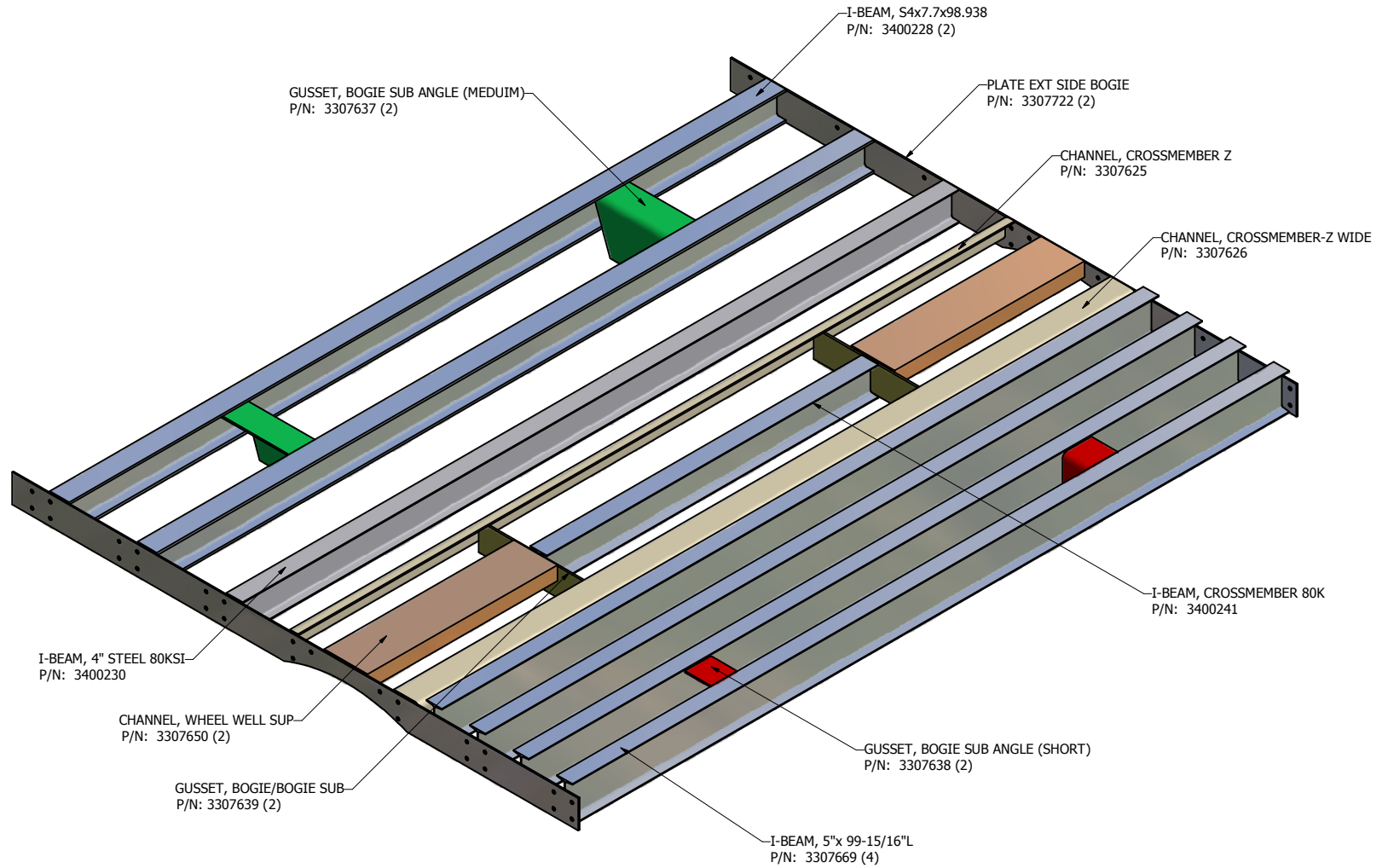


FASTENERS & CLAMPS	
SCREW, ROLOC 5/16-18 X 3/4	P/N: 6000312 (2)
NUT, 1/4-20 STNLS KEP	P/N: 6100256 (4)
STUD, WLD 1/4-20 X 3/4"	P/N: 6400606 (4)
CLAMP, RBR CUSH 3/4" NO. 12	P/N: 8000261 (2)
CLAMP, RBR CUSH 7/16" NO. 7	P/N: 8000268 (2)

BOGIE SUB FRAME (330M020)
FOR TRAILERS WITH 22.5" TIRES



BOGIE SUB FRAME (330M000) FOR TRAILERS WITH 24.5" TIRES



BUMPER ASSEMBLY (210N026)

BUMPER CHANNEL
P/N: 2100222 (2)



BOLT, 3/4" 16 X 6 GRD 8 PLT
P/N: 6000274 (8)

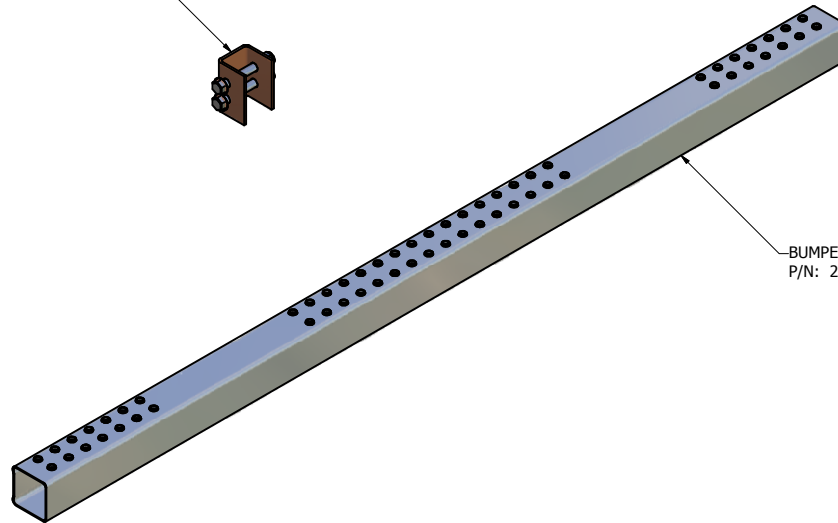
NYLON NUT, 3/4" -16 GRD 8
P/N: 6100263 (8)

WASHER, 3/4 ALLOY
P/N: 6200751 (16)

BRACKET, BUMPER TUBE
P/N: 2100221 (2)



BUMPER TUBE, POCHED
P/N: 2100023



CWF

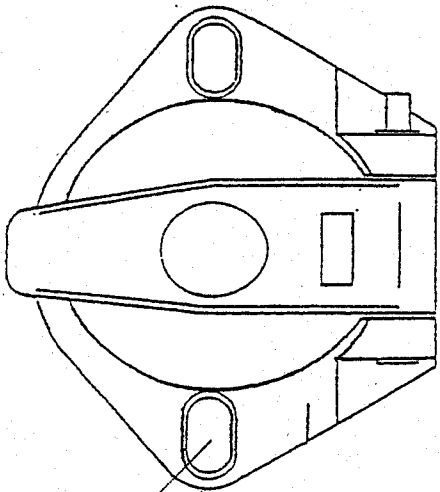
28' TRAILER

**ELECTRICAL
ASSEMBLY**

2008

7-WAY RECEPTACLE - REAR

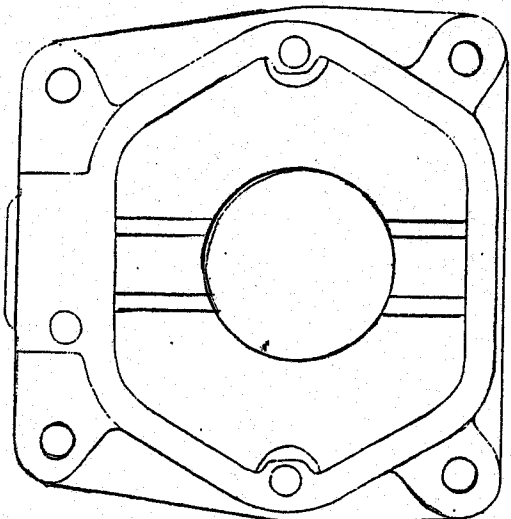
8000023 (1)
7-WAY RECEPTACLE
TRAMEC 38296



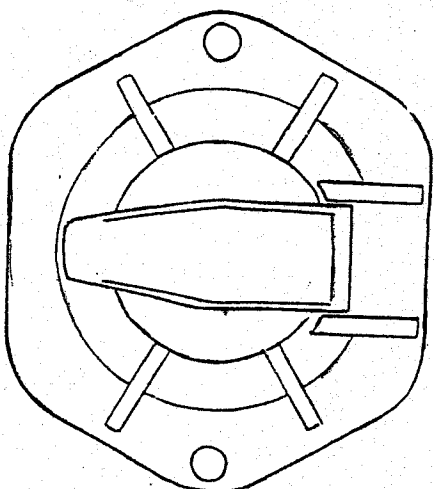
6000312 (2)
ROLOC BOLT
5/16"-18 x 3/4"

CON-WAY FREIGHT TRAILER

**7-WAY CONNECTOR ASSEMBLY
FLUSH MOUNT**



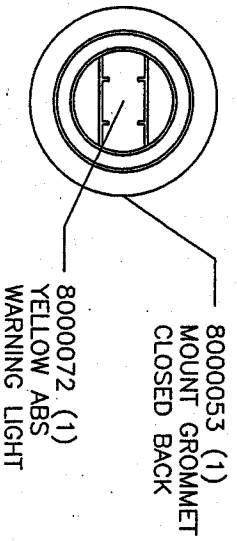
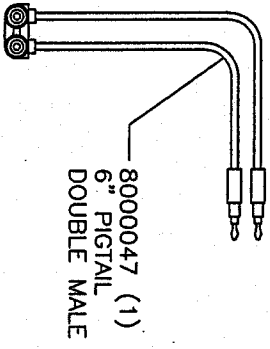
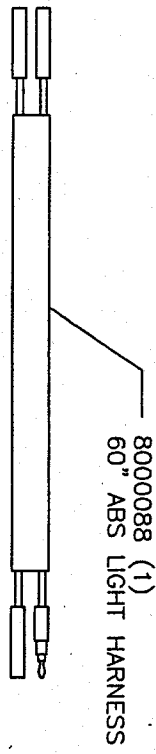
8000941
ADAPTOR BOX, 7-PIN
TRAMEC 38260B



8000942
7-PIN RECEPTACLE
TRAMEC 38310

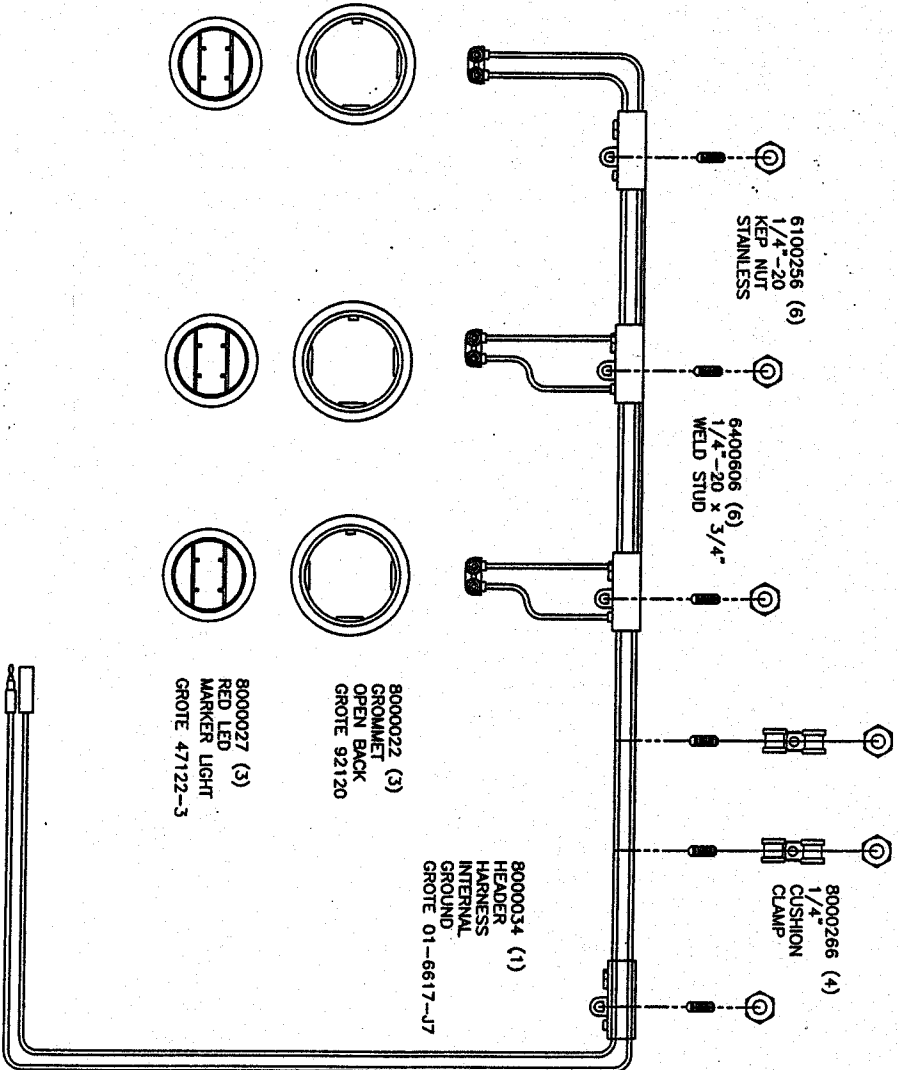
CON-WAY FREIGHT TRAILER

ABS LIGHT ASSEMBLY



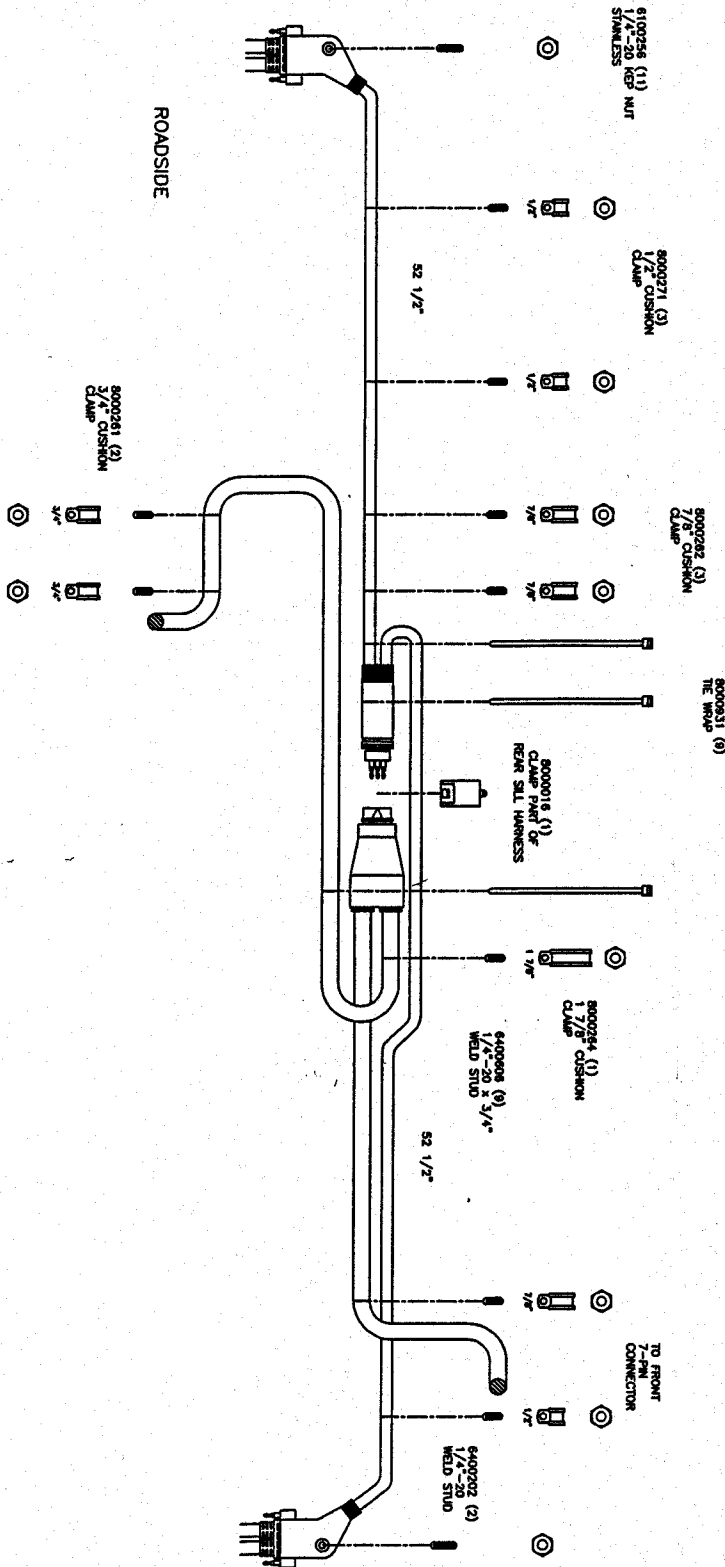
CON-WAY FREIGHT TRAILER

DOOR HEADER LIGHT ASSEMBLY



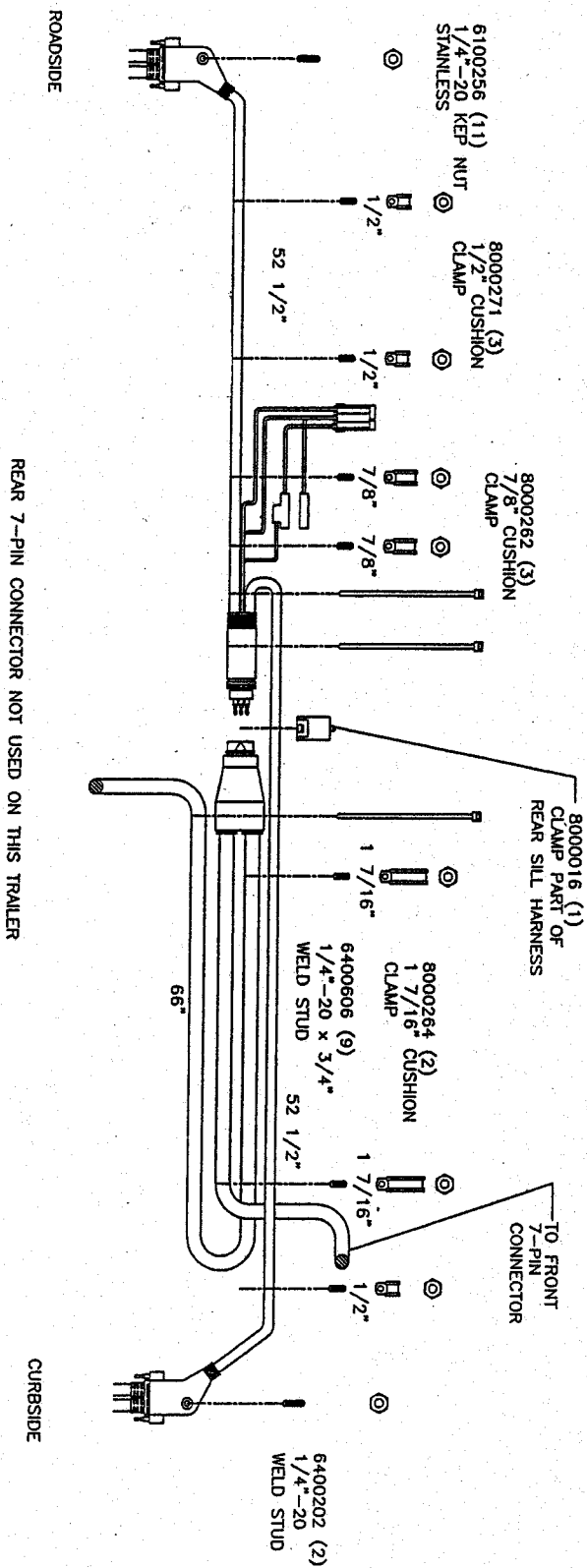
CON-WAY FREIGHT TRAILER

DOOR SILL ELECTRICAL FASTENER ASSEMBLY WITH REAR 7-WAY CONNECTOR



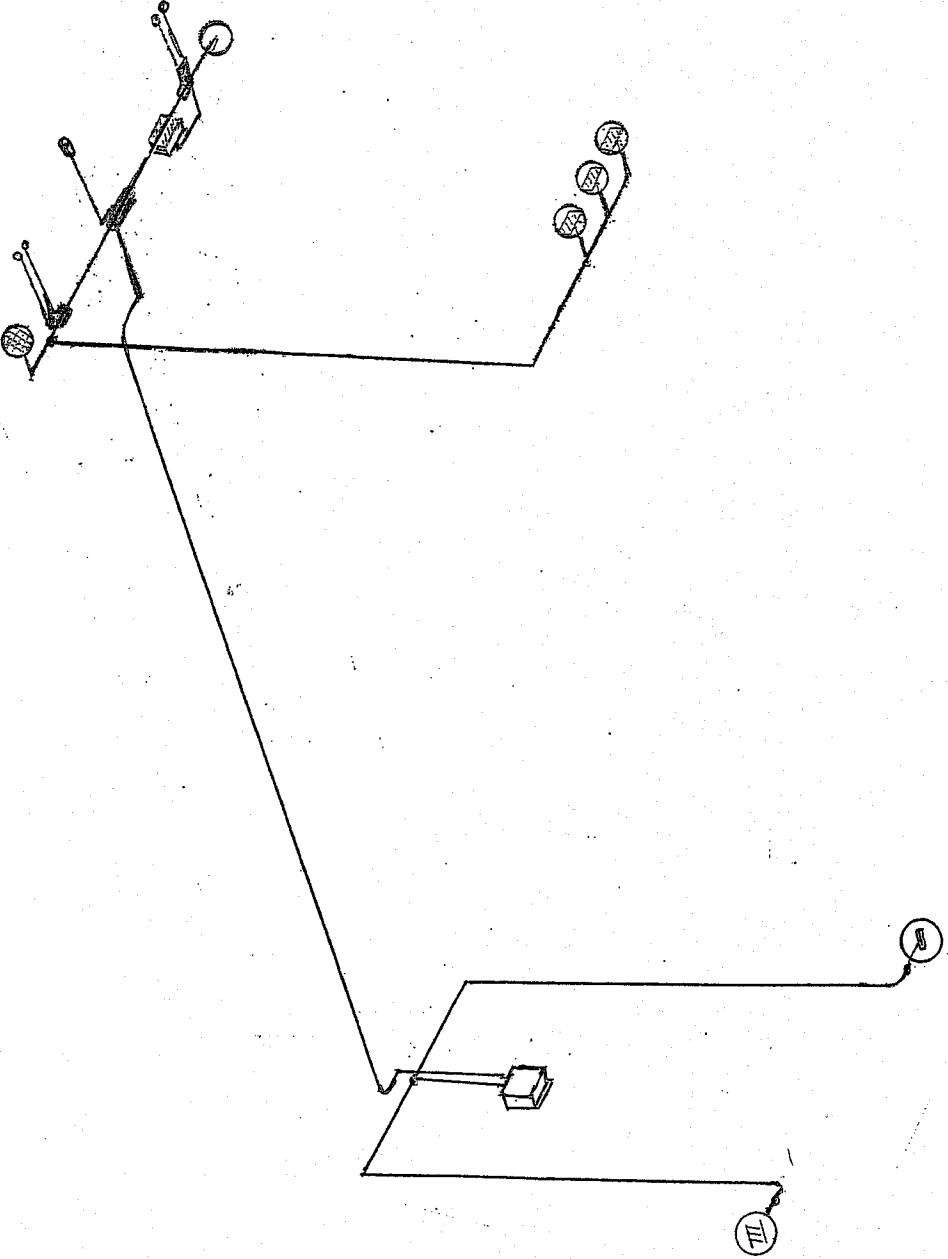
CON-WAY FREIGHT TRAILER

DOOR SILL ELECTRICAL FASTENER ASSEMBLY WITHOUT REAR 7-WAY CONNECTOR



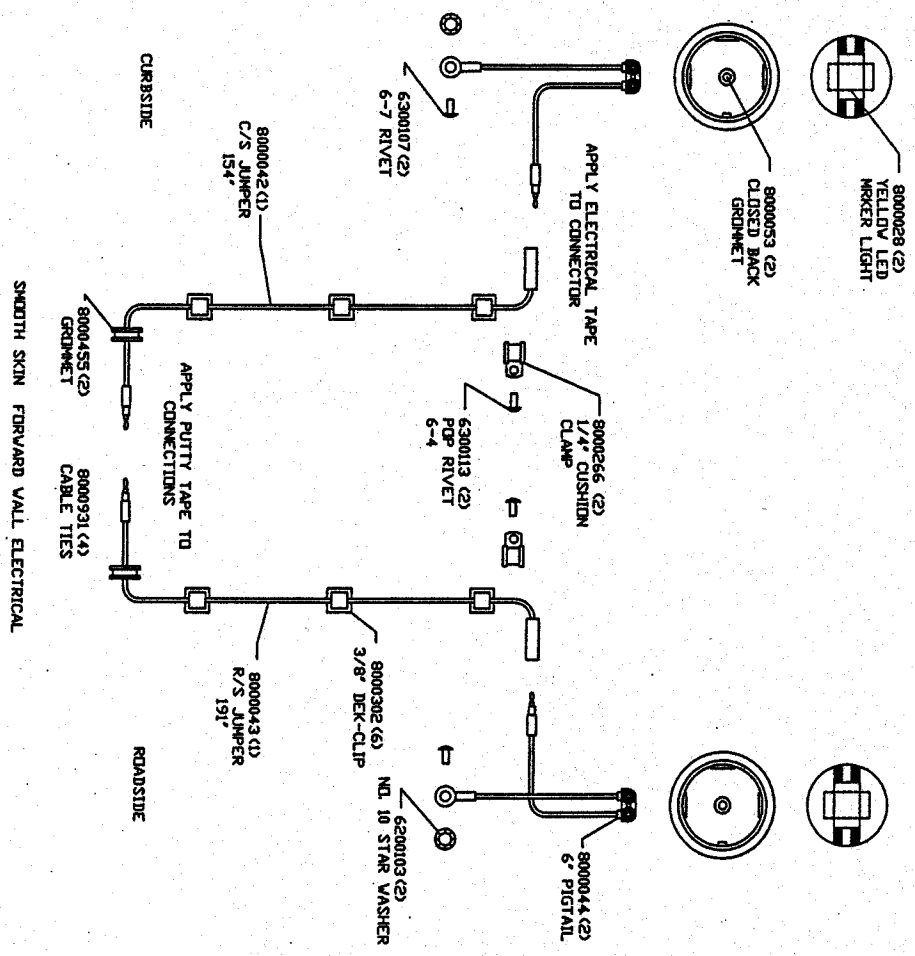
CON-WAY FREIGHT TRAILER

ELECTRICAL ASSEMBLY



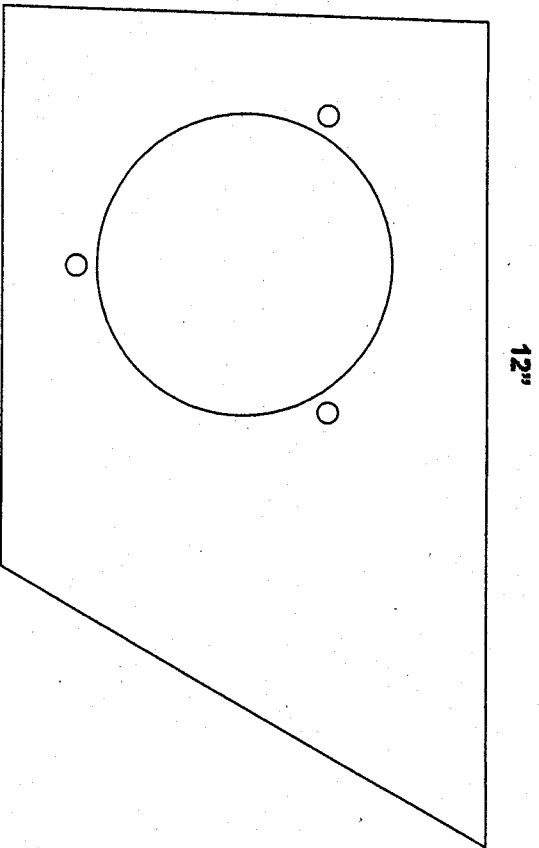
CON-WAY FREIGHT TRAILER

FORWARD WALL LIGHT ASSEMBLY



CON-WAY FREIGHT TRAILER

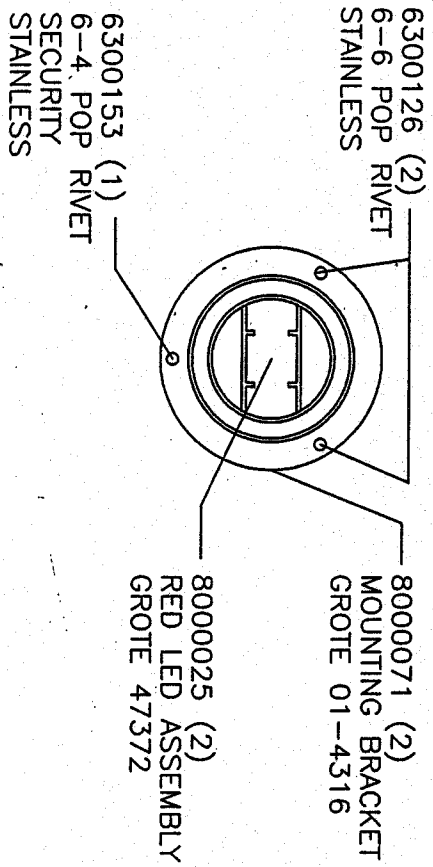
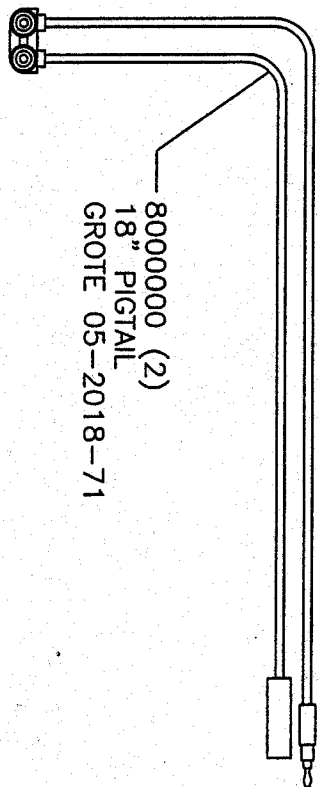
GUSSET, ABS LIGHT MOUNTING



**3300000 (1)
GUSSET, ABS LIGHT MOUNTING**

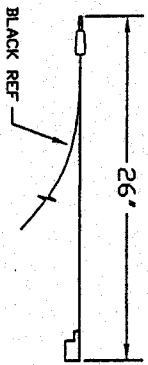
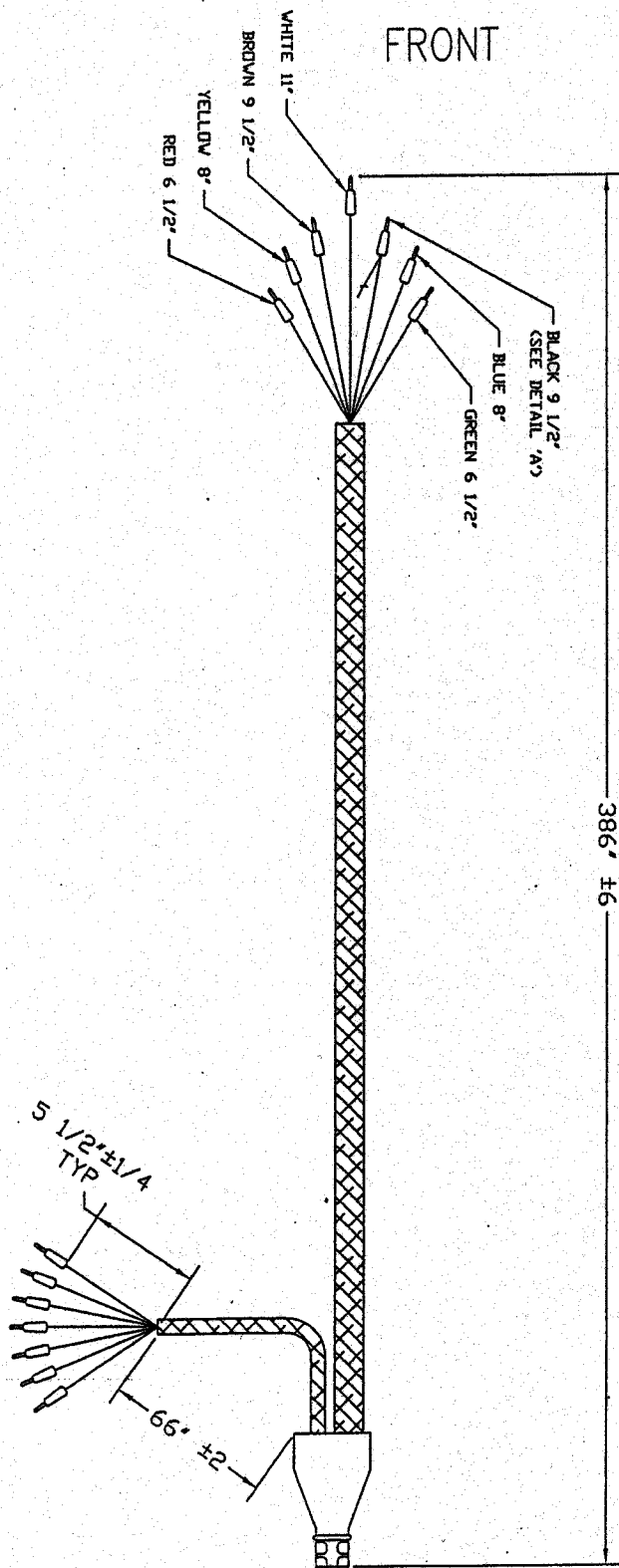
CON-WAY FREIGHT TRAILER

LOWER - REAR MARKER LIGHT ASSEMBLY



CON-WAY FREIGHT TRAILER

MAIN HARNESS



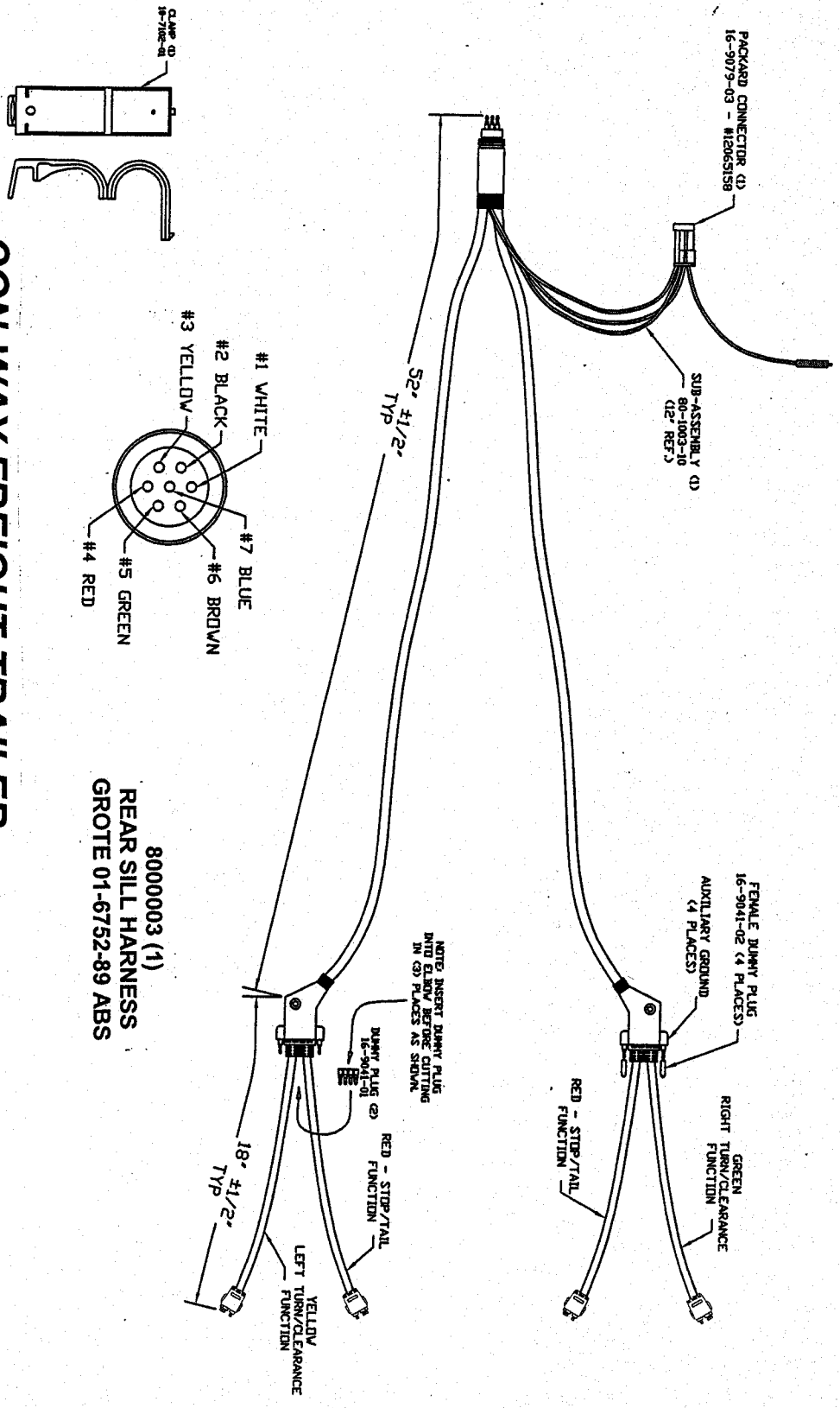
White = 8ga
Blue & Red = 10ga
Black, Brown, Yellow, & Green = 12ga

DETAIL 'A'

8000015 (1)
MAIN HARNESS
GROTE 01-6670-H2

CON-WAY FREIGHT TRAILER

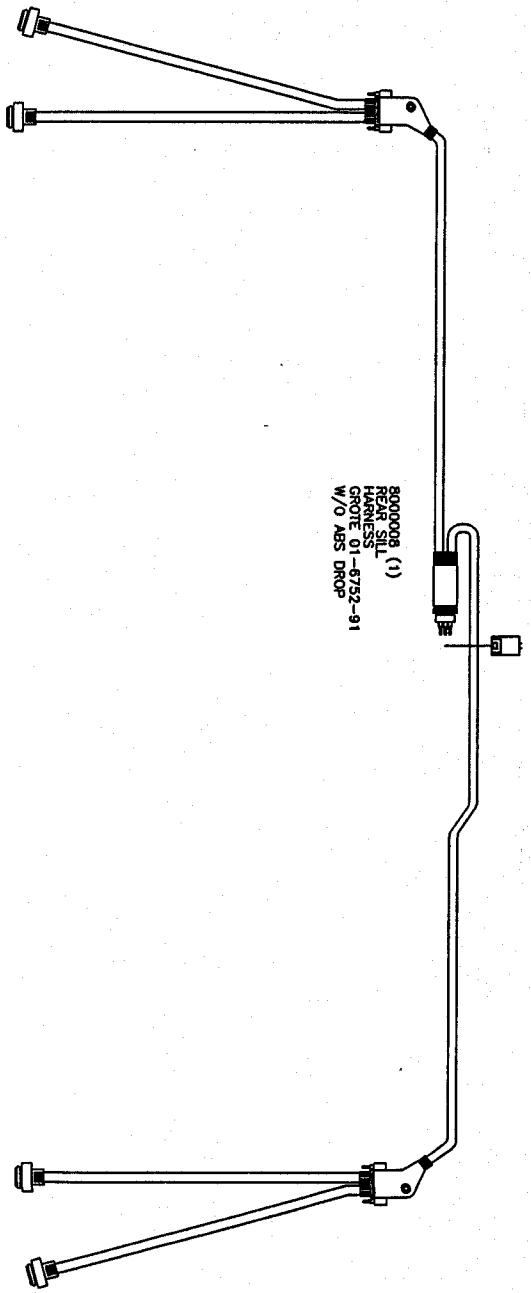
REAR SILL HARNESS



8000003 (1)
REAR SILL HARNESS
GROTE 01-6752-89 ABS

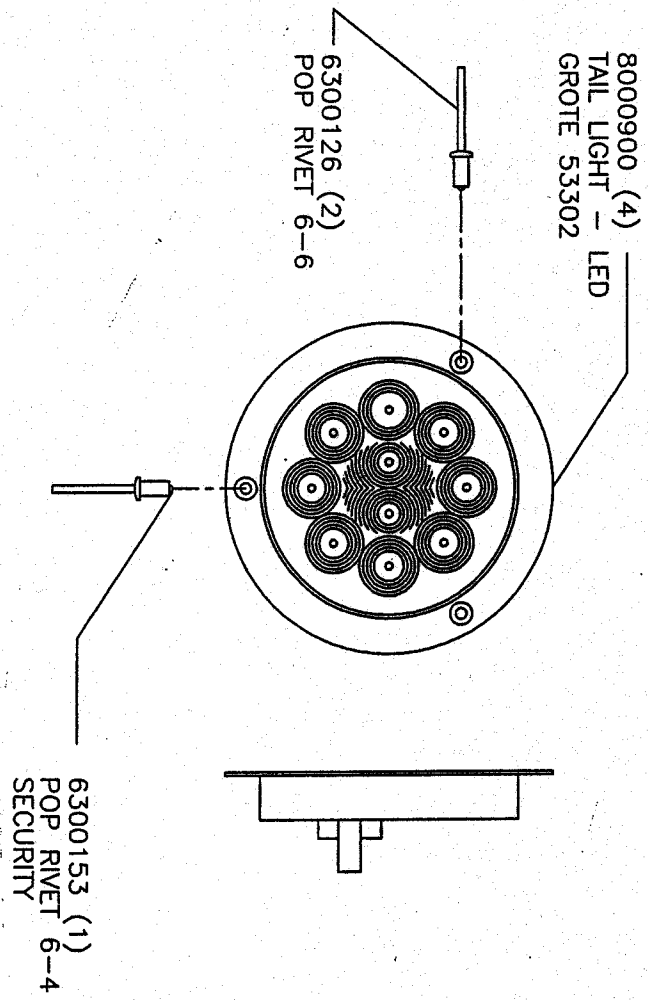
CON-WAY FREIGHT TRAILER

REAR SILL HARNNESS WITHOUT ABS



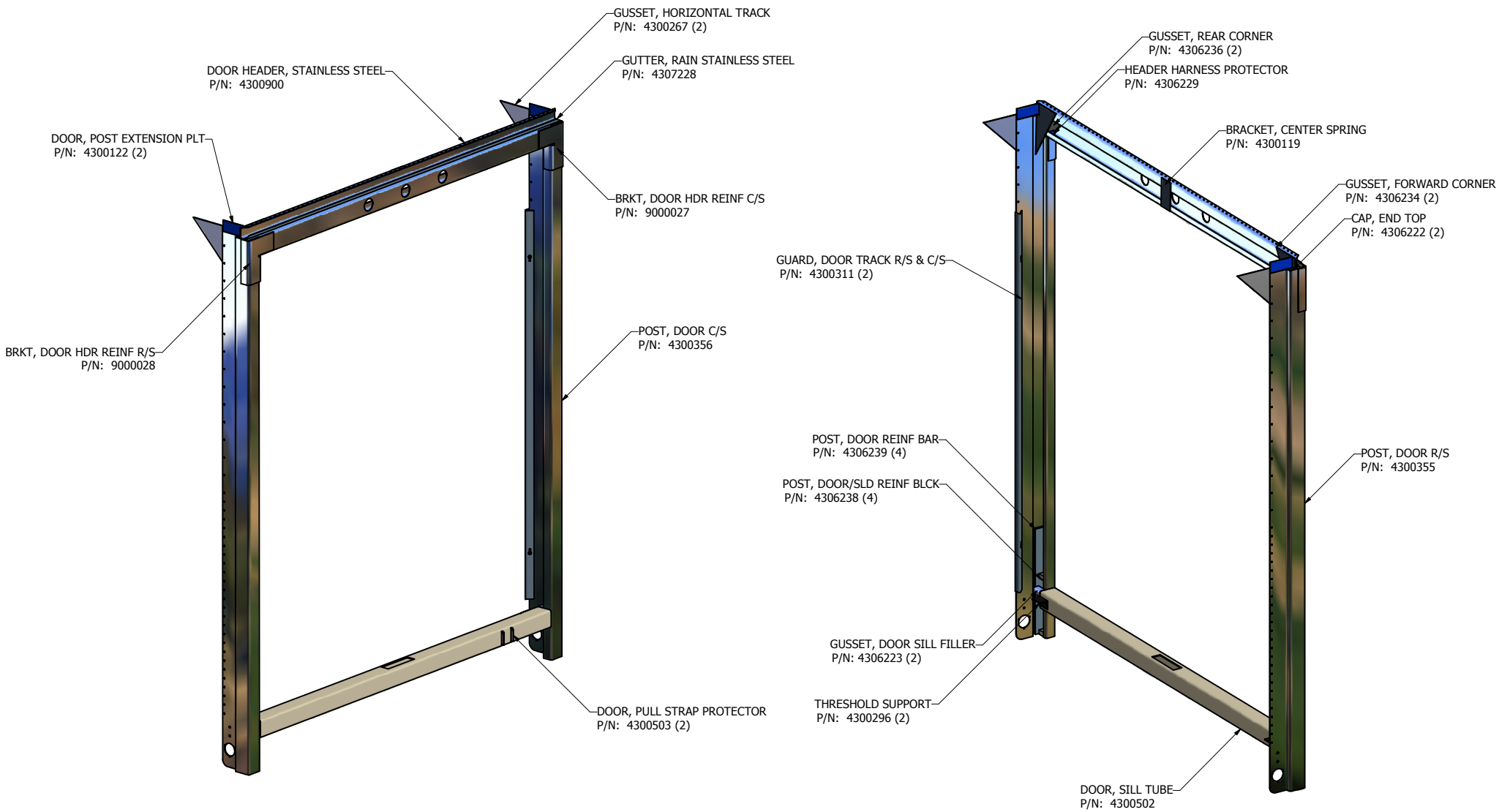
CON-WAY FREIGHT TRAILER

TAIL LIGHT ASSEMBLY



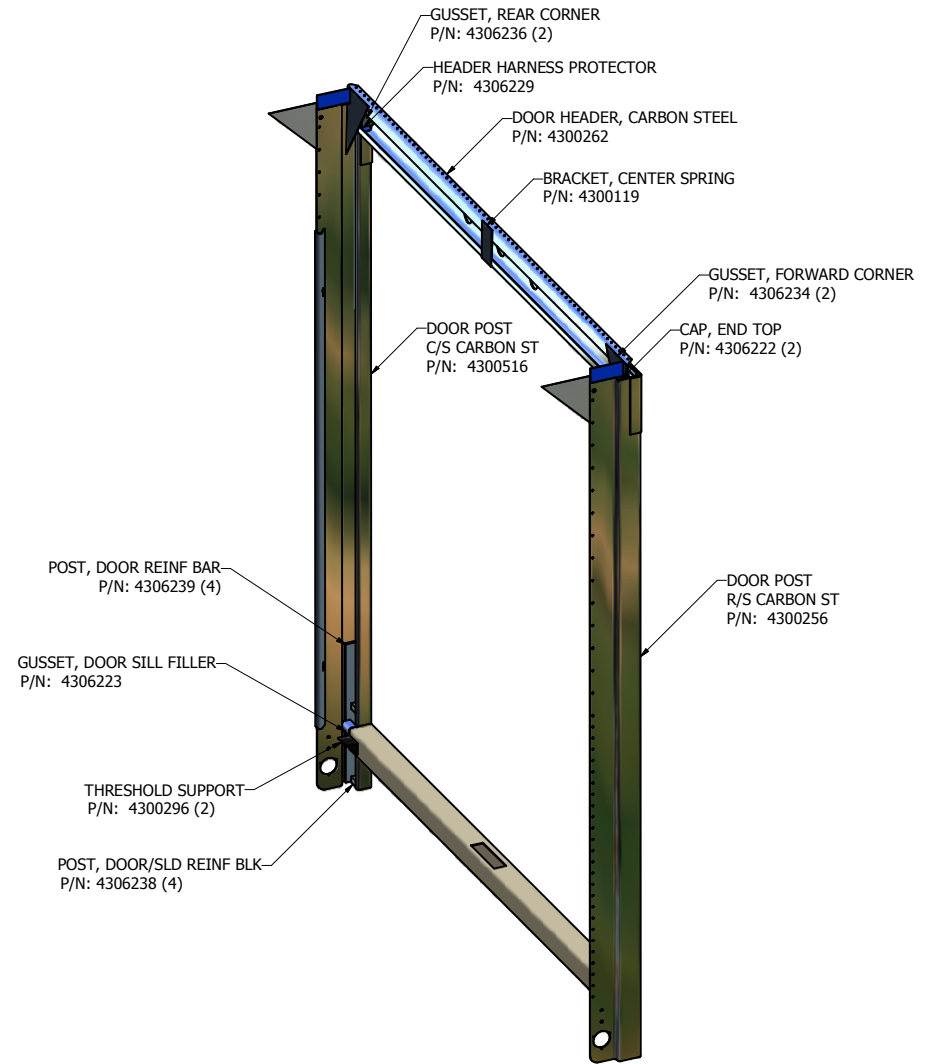
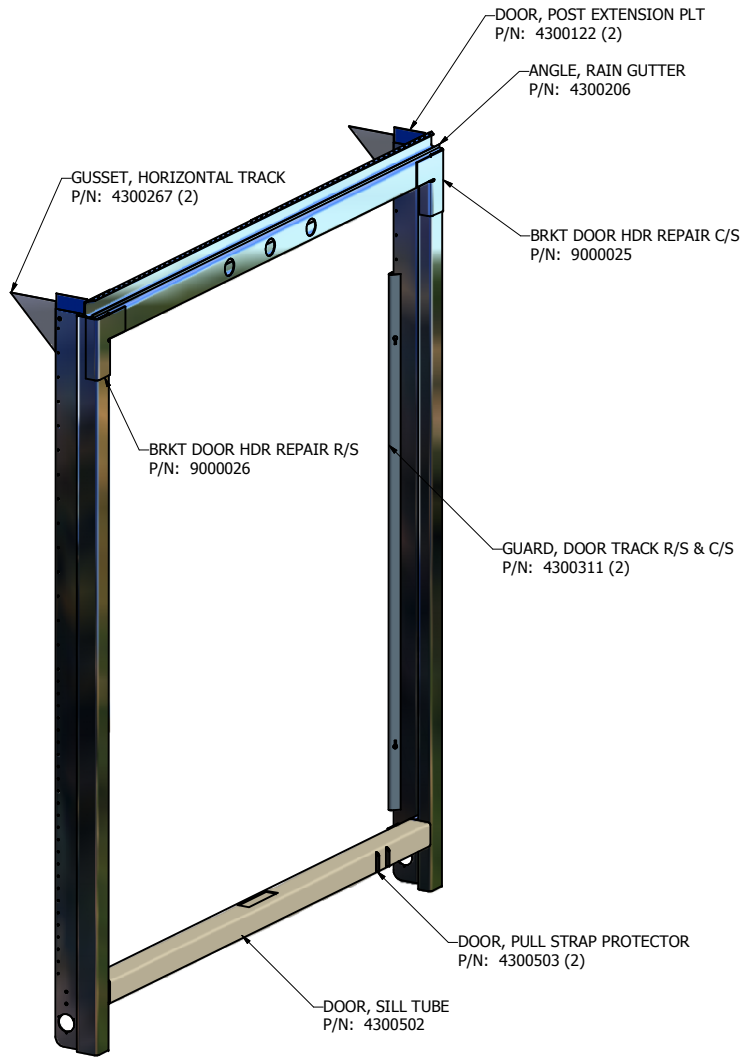
CON-WAY FREIGHT TRAILER

DOOR FRAME ASSEMBLY



- ROLL-UP DOOR
P/N: 4300143
- DOOR FRAME AY. W/ROLL-UP DOOR
P/N: 430N044
- COMPLETED DOOR FRAME AY.
P/N: 500M038

DOOR FRAME ASSEMBLY

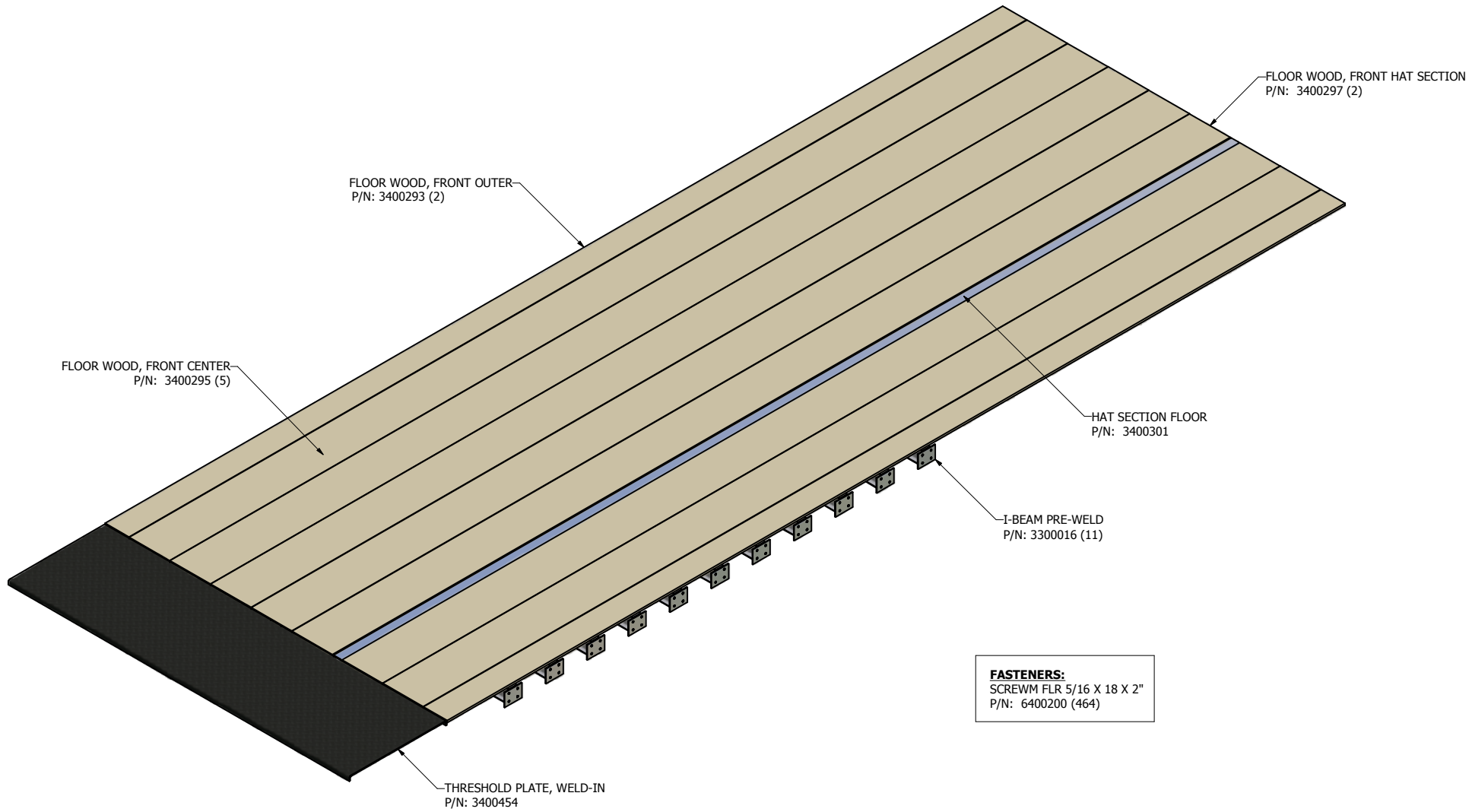


ROLL-UP DOOR
P/N: 4300143

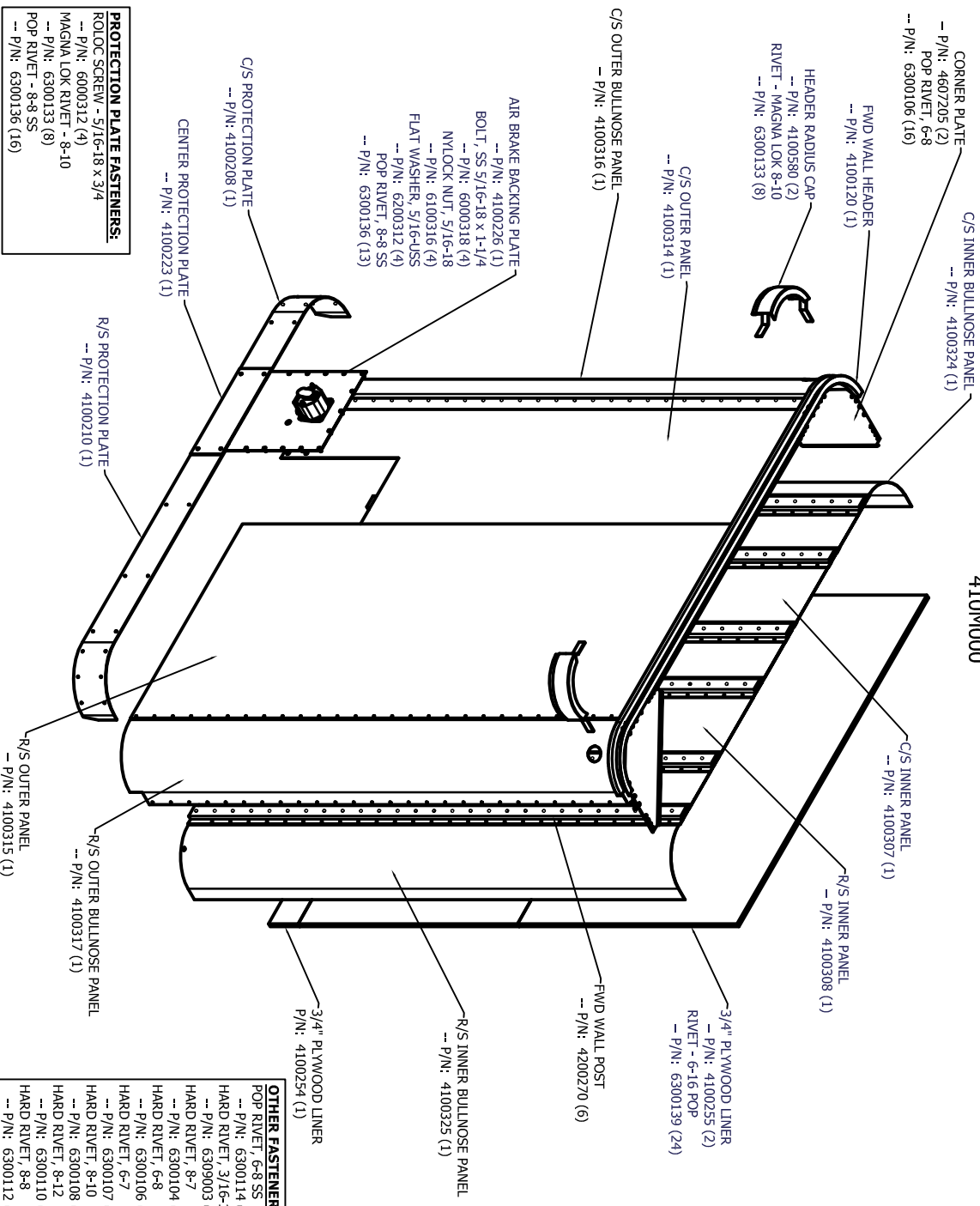
DOOR FRAME AY W/ROLL-UP DOOR
P/N: 430N014

COMPLETE DOOR FRAME AY.
P/N: 500M019

FLOOR ASSEMBLY (340N002)



FORWARD WALL ASSEMBLY
CONWAY 28' TRAILER
410M000



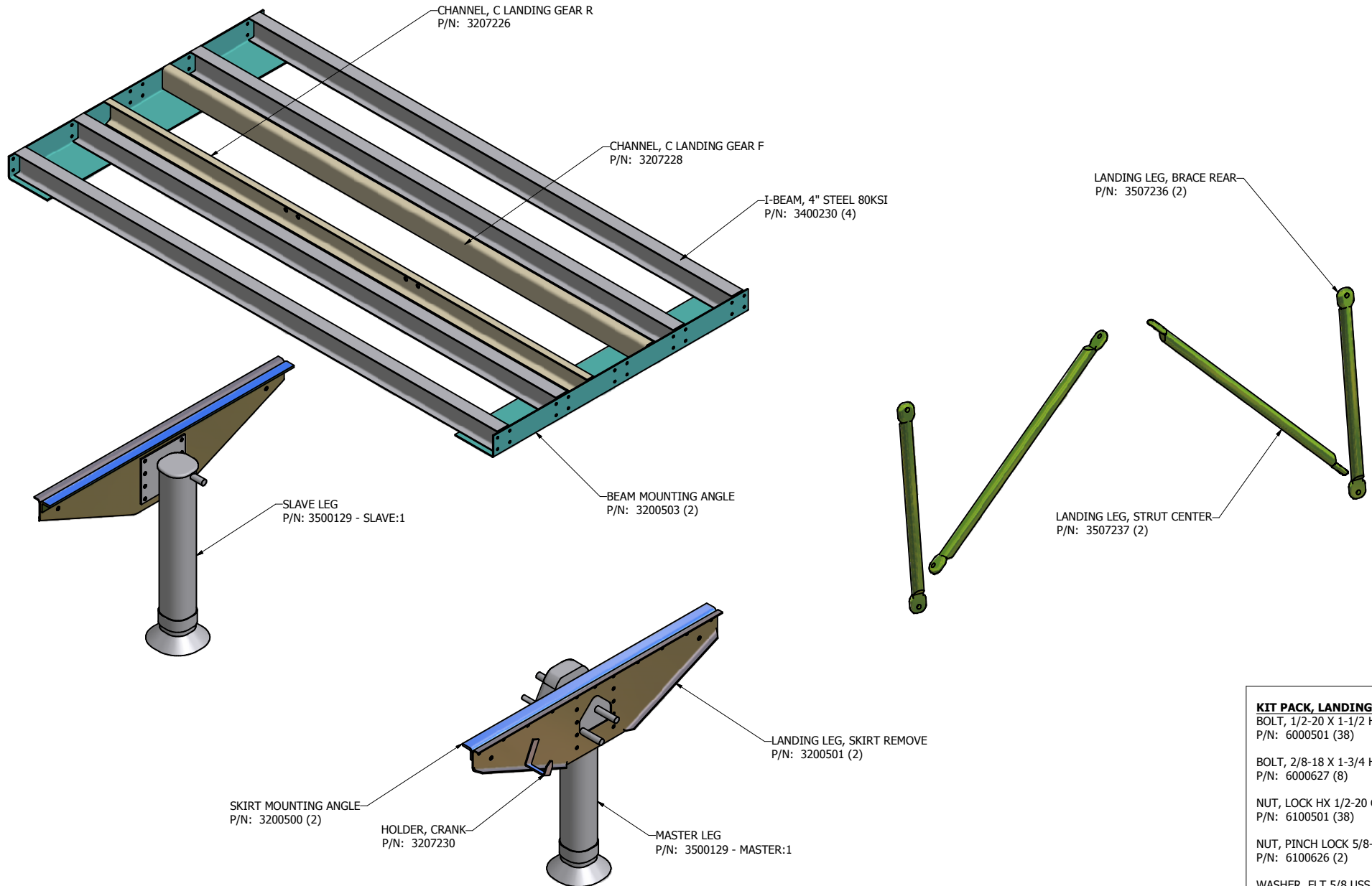
PROTECTION PLATE FASTENERS:

ROLOC SCREW - 5/16-18 x 3/4	-- P/N: 6000312 (4)
MAGNA LOK RIVET - 8-10	-- P/N: 6300133 (8)
POP RIVET - 8-8 SS	-- P/N: 6300136 (16)

OTHER FASTENERS:

POP RIVET, 6-8 SS	-- P/N: 6300114 (43)
HARD RIVET, 3/16-13/32	-- P/N: 6309003 (148)
HARD RIVET, 8-7	-- P/N: 6300104 (0.06 lb)
HARD RIVET, 6-8	-- P/N: 6300106 (0.57 lb)
HARD RIVET, 6-7	-- P/N: 6300107 (0.32 lb)
HARD RIVET, 8-8	-- P/N: 6300110 (0.07 lb)
HARD RIVET, 8-10	-- P/N: 6300112 (0.07 lb)
POP RIVET, 6-4	-- P/N: 6300113 (2 lb)

LANDING LEG ASSEMBLY (320M012)



- | |
|--|
| <p>KIT PACK, LANDING LEG 28'
 BOLT, 1/2-20 X 1-1/2 HX HD
 P/N: 6000501 (38)
 BOLT, 2/8-18 X 1-3/4 HX HD
 P/N: 6000627 (8)
 NUT, LOCK HX 1/2-20 GR5
 P/N: 6100501 (38)
 NUT, PINCH LOCK 5/8-18
 P/N: 6100626 (2)
 WASHER, FLT 5/8 USS PLTD
 P/N: 6200626 (8)</p> |
|--|

320M012 UPDATED ON 08-27-08 (DR)

REPLACED C-CHANNEL, LANDING GEAR F
P/N: 3207228 (1)

WITH I-BEAM, 4" STEEL 80KSI
P/N: 3400230 (1)

LANDING LEG ASSEMBLY (320M012)

FASTENERS:

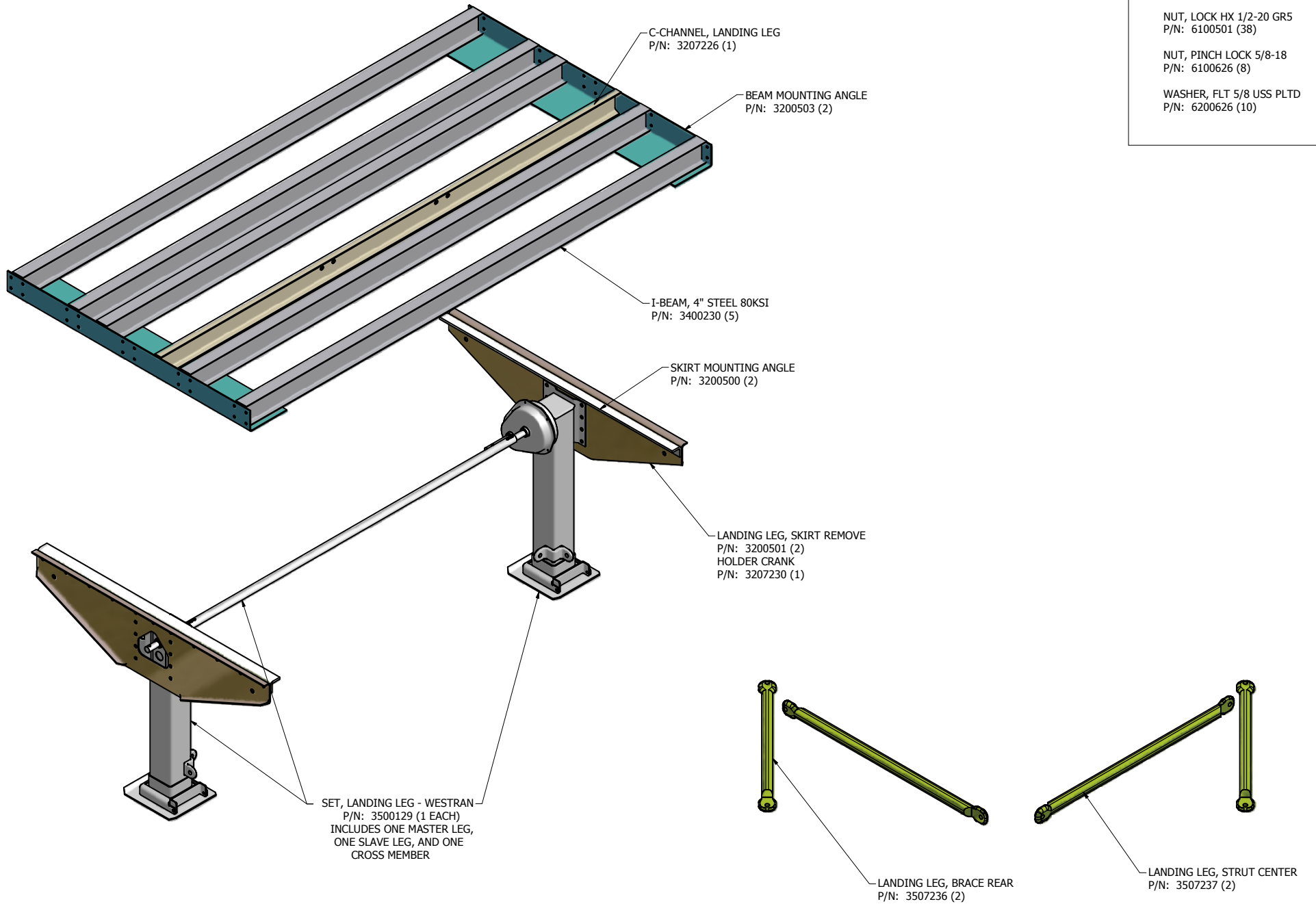
BOLT, 1/2-20 X 1-1/2 HX HD
P/N: 6000501 (38)

BOLT, 5/8-18 X 1-3/4 HX HD
P/N: 6000627 (8)

NUT, LOCK HX 1/2-20 GR5
P/N: 6100501 (38)

NUT, PINCH LOCK 5/8-18
P/N: 6100626 (8)

WASHER, FLT 5/8 USS PLTD
P/N: 6200626 (10)



MUDFLAP DETAILS **(301N007 & 301N008)**

ROADSIDE MUDFLAP FASTENERS:

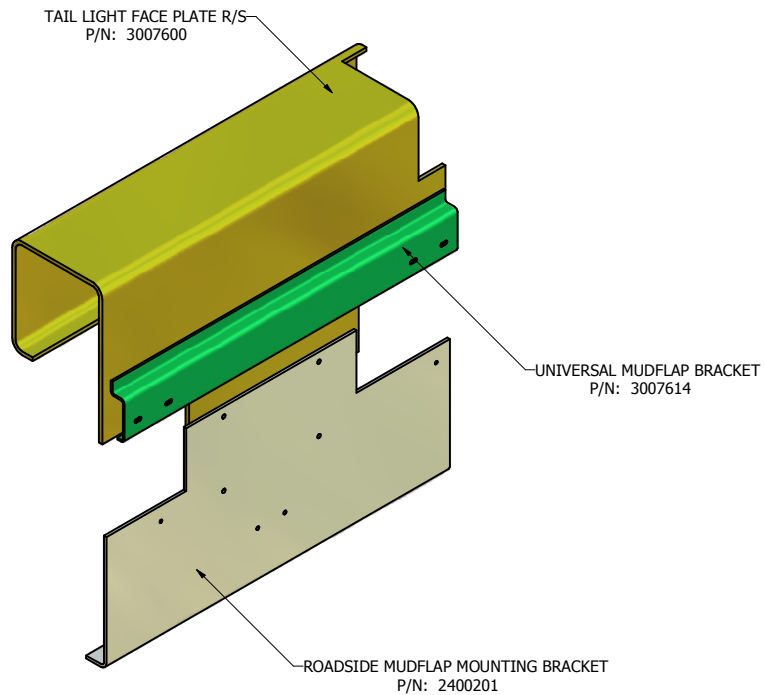
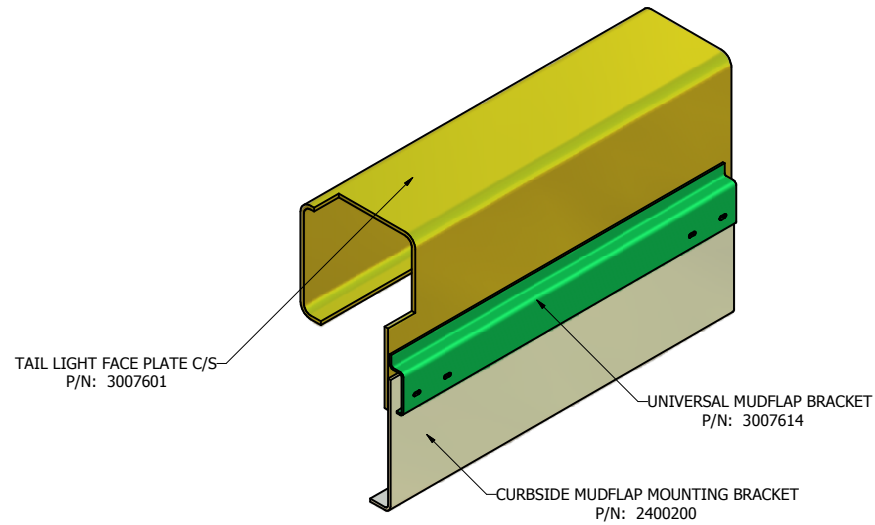
NUT, 1/4-20 STNLS KEP
P/N: 6100256 (2)

RIVET, SSDSS-84
P/N: 6300128 (4)

STUD, WLD 1/4-20 X 1 1/4
P/N: 6400602 (1)

STUD, WLD 1/4-20 x 3/4"
P/N: 6400606 (2)

CLAMP, RBR CUSH 1/2 NO 8
P/N: 8000271 (1)



CURBSIDE MUDFLAP FASTENERS:

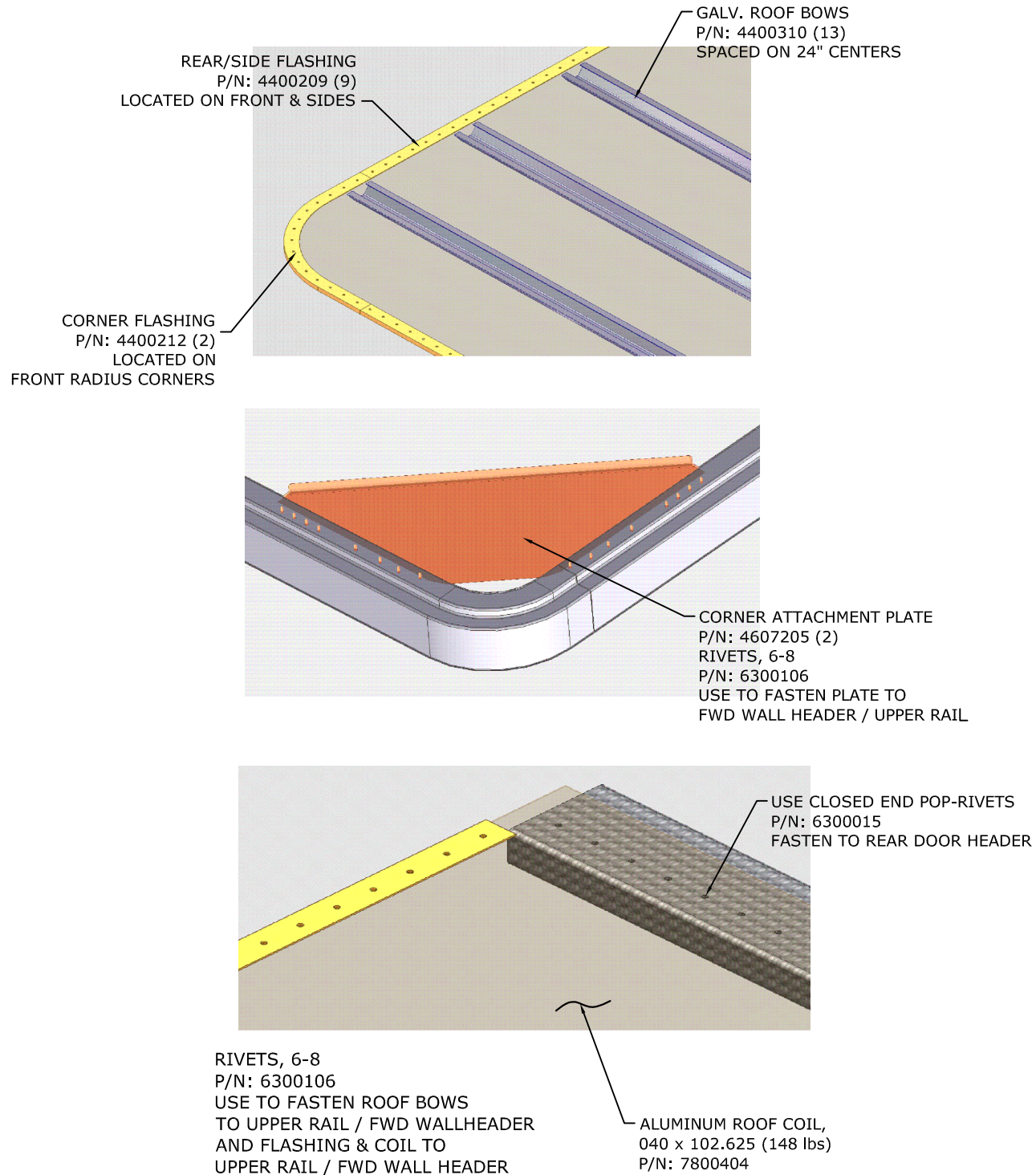
NUT, 1/4-20 STNLS KEP
P/N: 6100256 (2)

STUD, WLD 1/4-20 X 1 1/4
P/N: 6400602 (1)

STUD, WLD 1/4-20 x 3/4"
P/N: 6400606 (1)

CLAMP, RBR CUSH 1/2 NO 8
P/N: 8000271 (1)

ALUMINUM ROOF COMPONENTS

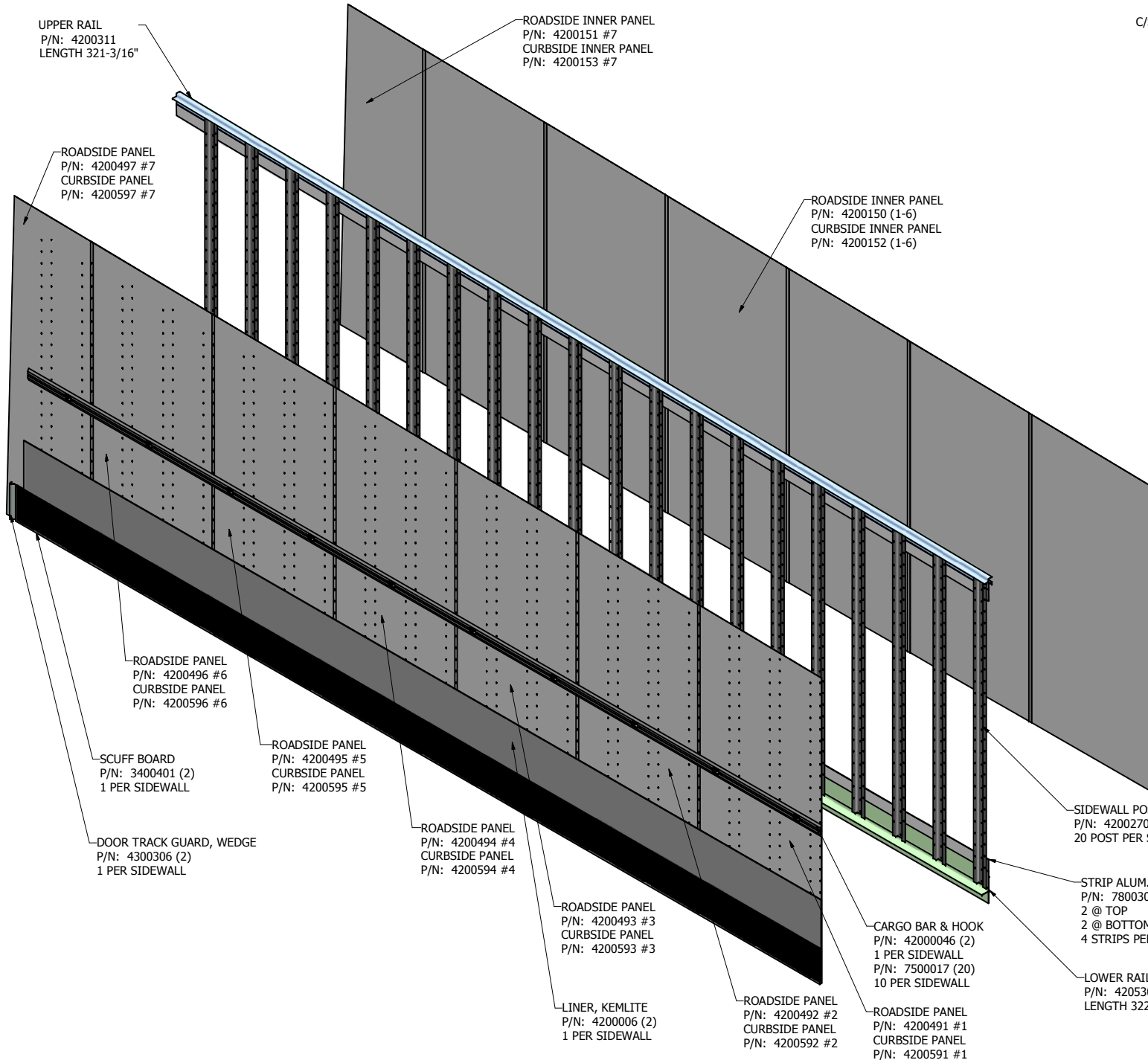


420M220 SIDEWALL ASSEMBLY

SIDEWALL ASSEMBLIES:

R/S: 422M000 INNER PANEL AY.
422M001 OUTER PANEL AY.

C/S: 421M000 INNER PANEL AY.
421M000 OUTER PANEL AY.



FASTENERS PER SIDEWALL:

- WASHER, FLAT 1/4 PLTD
P/N: 6200252 (1)
- MAGNA LOK RIVET
P/N: 6300133 (22)
- RIVET, POP AD8-8SSBS DOME
P/N: 6300136 (86)
- FASTENER, HUCK FLOOR
P/N: 6300132 (56)
- RIVET, POP AD6-8SSBSLF LG
P/N: 6300114 (53)
- SCREW 3/8-16x1-1/4 TORX GR 5.1
P/N: 6000363 (93)
- LOCKNUT, 3/8-16 NYLON PLT
P/N: 6100377 (93)
- RIVET, AN455AD8-7
P/N: 6300104 (.45 lbs)
- RIVET, AN455AD6-8
P/N: 6300106 (.43 lbs)
- RIVET, AN455AD6-7
P/N: 6300107 (1.67 lbs)
- RIVET, AN455AD8-12
P/N: 6300110 (.71 lbs)
- RIVET, AN455AD8-8
P/N: 6300112 (.46 lbs)
- BUTTON-UP KIT PACK
P/N: 6501019 (.5 ASSEMBLY)

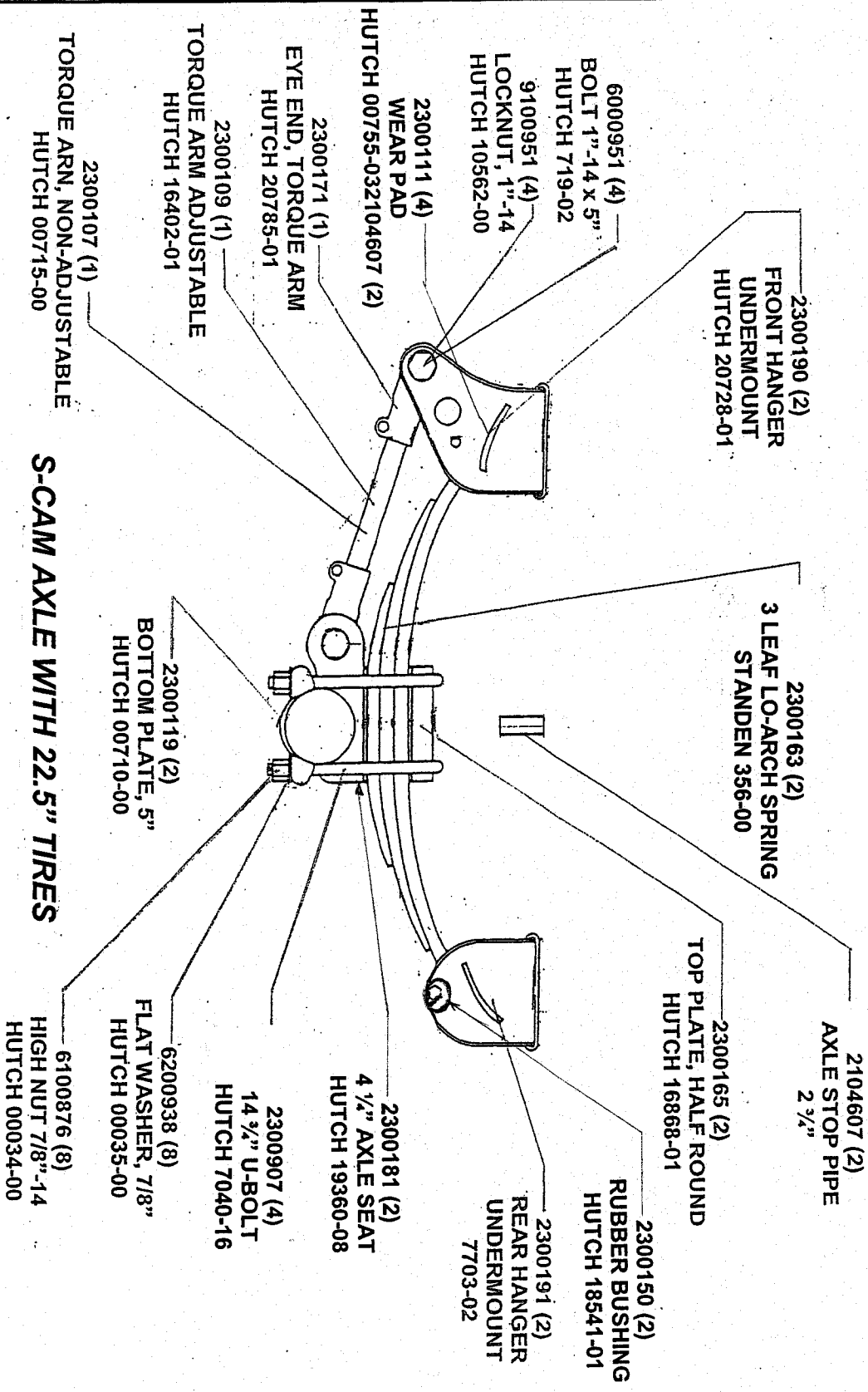
CWF

28' TRAILER

***SUSPENSION
ASSEMBLY***

2008

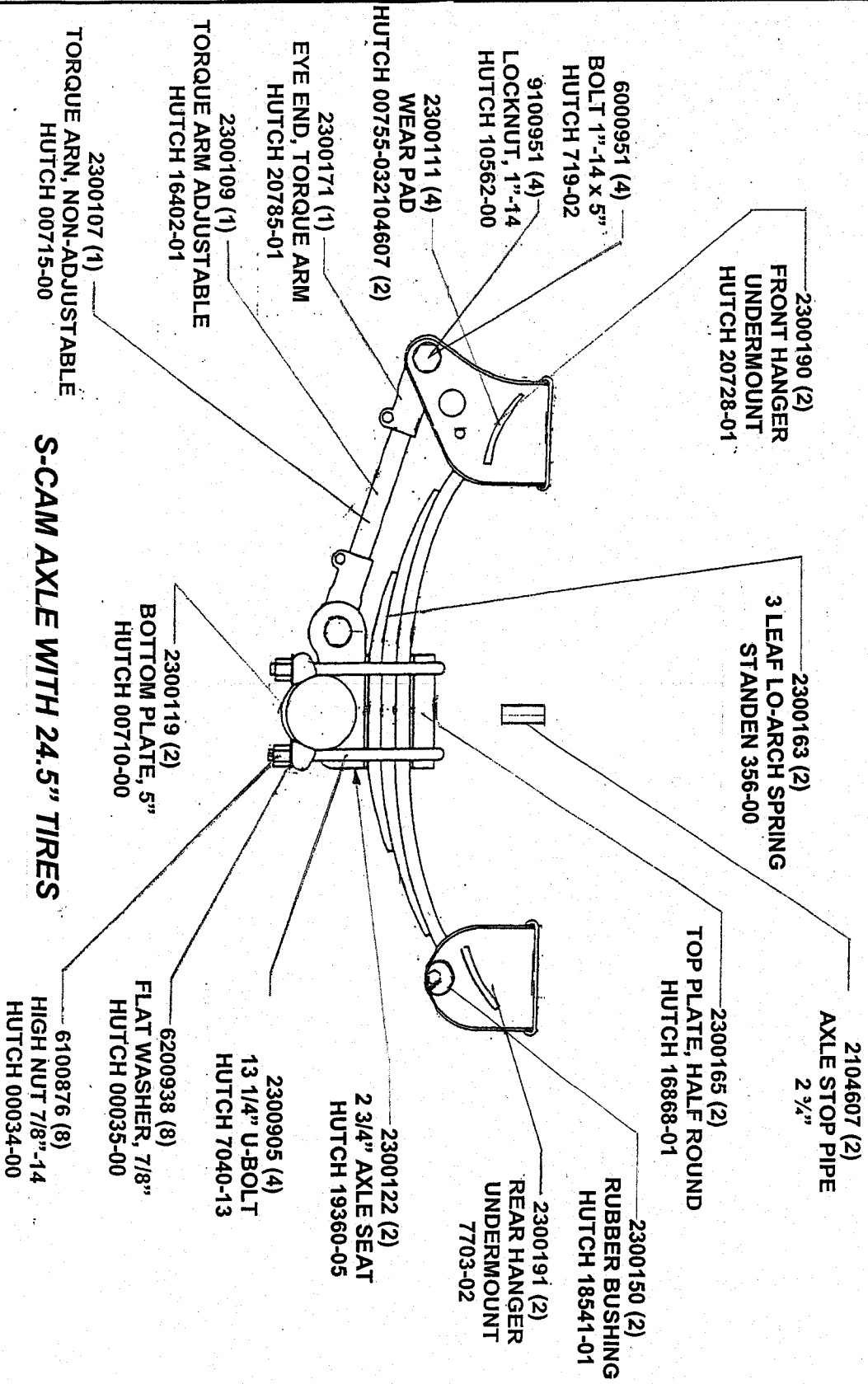
SUSPENSION ASSEMBLY



CON-WAY FREIGHT TRAILER

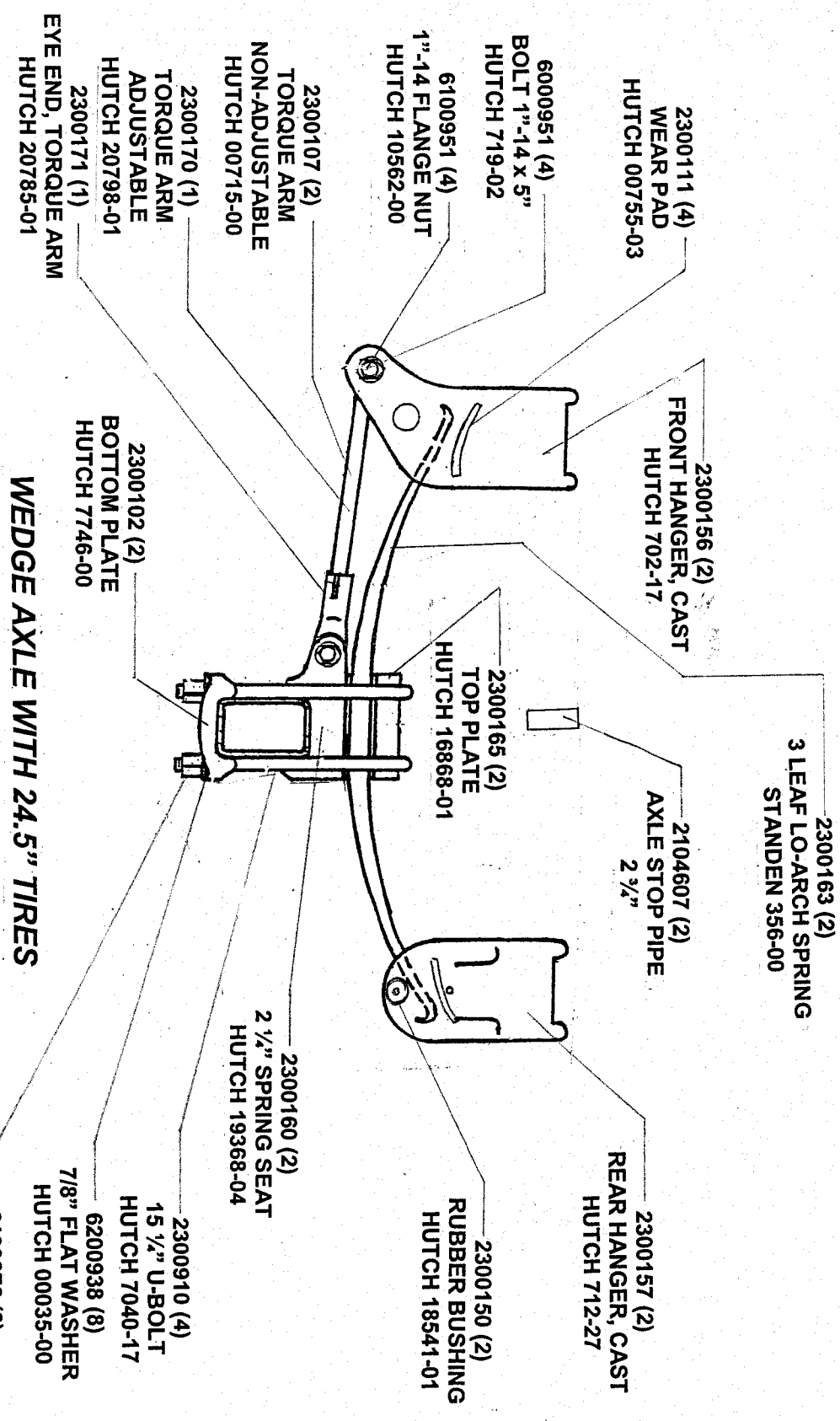
S-CAM AXLE WITH 22.5" TIRES

SUSPENSION ASSEMBLY



CON-WAY FREIGHT TRAILER

SUSPENSION ASSEMBLY



CON-WAY FREIGHT TRAILER

WEDGE AXLE WITH 24.5" TIRES

UPPER COUPLER (310M001)

