

CWF - DOLLIE

PARTS BOOK

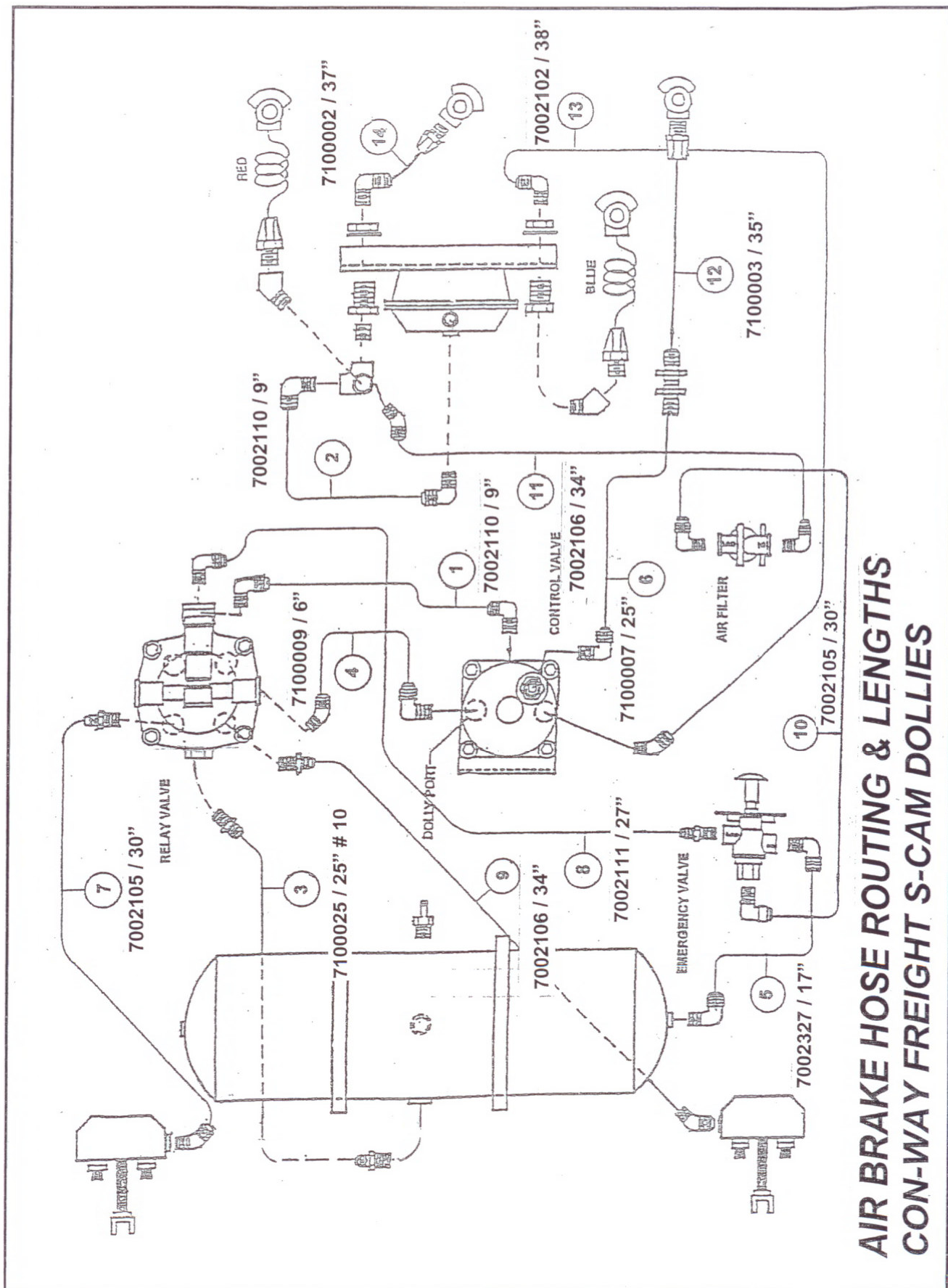
2008

CWF – DOLLIE

S-CAM

AIR BRAKE ASSEMBLY

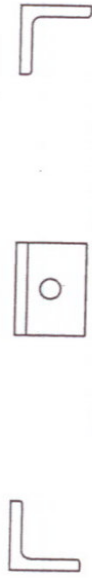
2008



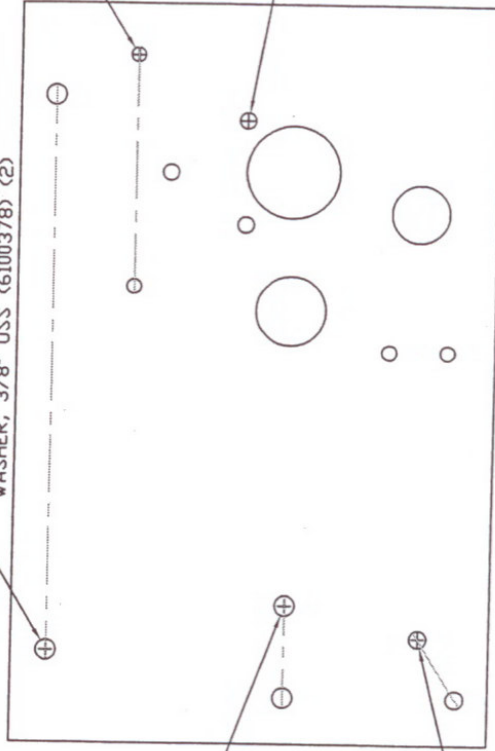
**AIR BRAKE HOSE ROUTING & LENGTHS
CON-WAY FREIGHT S-CAM DOLLIES**

1004201 (2)

ANGLE, PLATE MOUNT



BOLT, 3/8"-16x1 1/4" (6000375) (2)
NYLOK NUT, 3/8"-16 (6100377) (2)
WASHER, 3/8" USS (6100378) (2)



BOLT, 3/8"-16x1 1/4" (6000375) (2)
WASHER, 3/8" SAE (6200378) (4)
NYLOK NUT, 3/8"-16 (6100377) (2)

BOLT, 5/16"-18x2 1/2" (6000319) (2)
WASHER, 5/16" USS (6200312) (2)
NYLOK NUT, 5/16x18 (6100316) (2)

BOLT, 5/16"-18x1" (6000310) (2)
NYLOK NUT, 5/16"-16 (6100316) (2)
WASHER, 5/16" USS (6200312) (2)
VALVE MOUNTING BRACKET (7000042) (1)

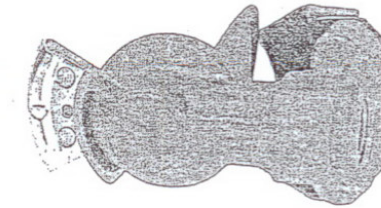
NOT USED W/O ABS

PLATE WITH OUT ABS

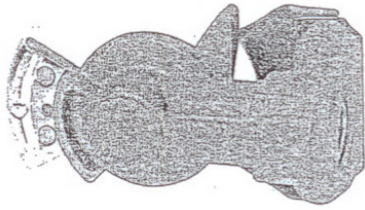
1006123

AIR BRAKE VALVE PLATE ASSEMBLY CON-WAY FREIGHT DOLLIE

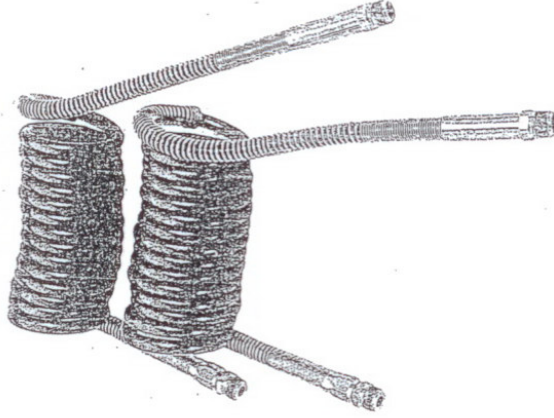
7000022 (2)
SERVICE GLADHAND
PHILLIPS 12-006238BK



7000023 (2)
EMERGENCY GLADHAND
PHILLIPS 12-008238BK

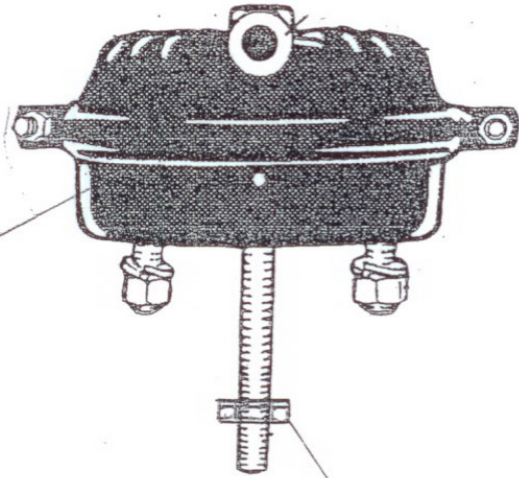


7000970 (1)
COILED AIR BRAKE TUBE
PARKER 7516411



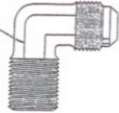
GLADHANDS & COILED AIR LINE ASSEMBLIES CON-WAY FREIGHT DOLLIE

1009130 (1)
AIR CHAMBER, TYPE 24
ANCHORLOK 281 SPL



6100625 (1)
NUT, 5/8" -18
(PART OF AIR CHAMBER)

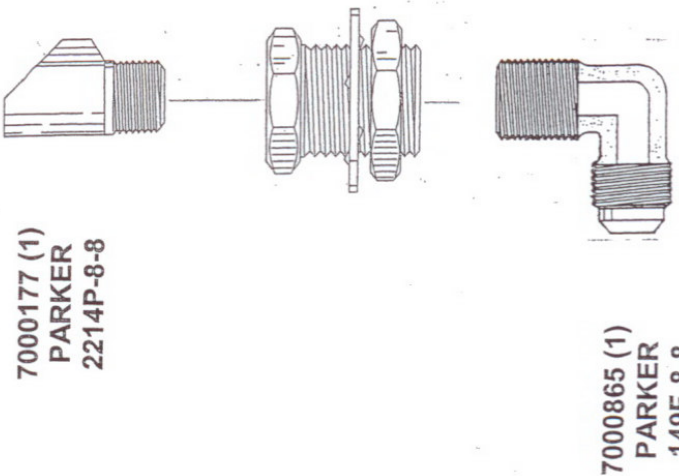
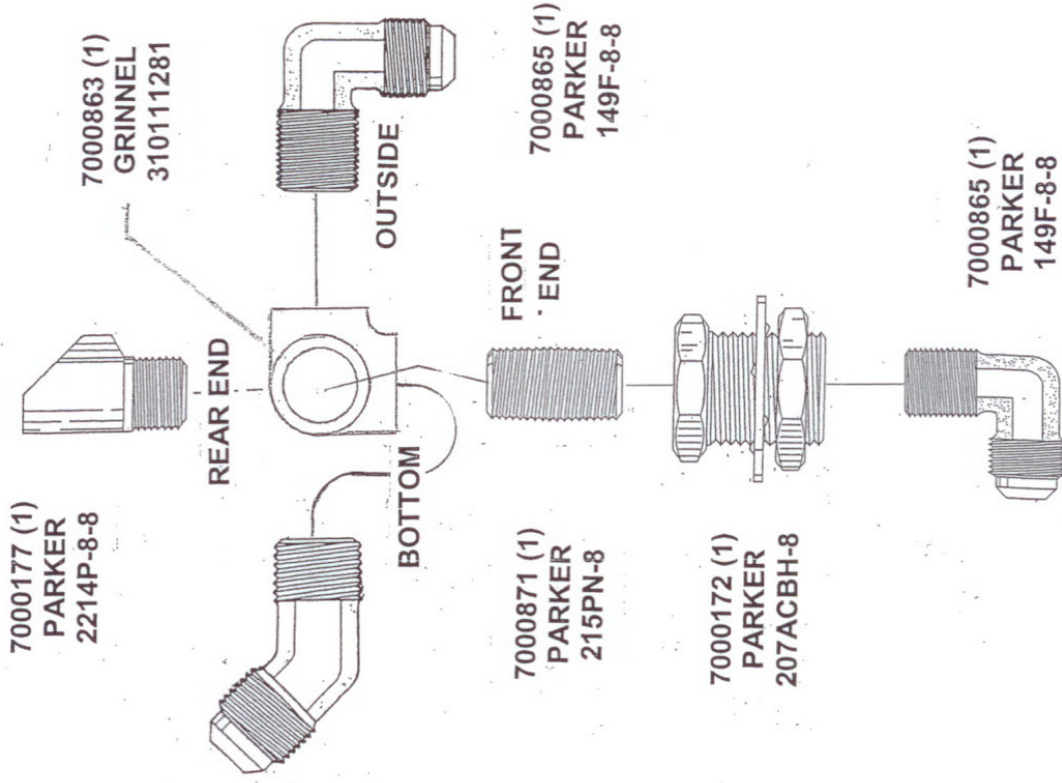
7000866 (1)
PARKER
149F-8-6



7000851 (1)
3/8" PIPE PLUG
(PART OF AIR CHAMBER)

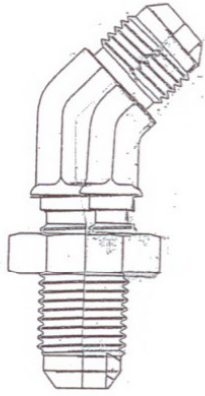


DRAWBAR AIR CHAMBER ASSEMBLY CON-WAY FREIGHT DOLLIE

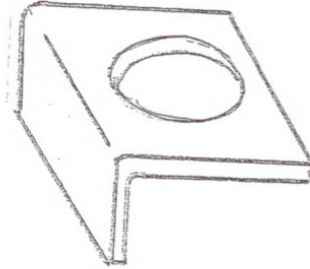


**GLADHAND BULKHEAD ASSEMBLIES
CON-WAY FREIGHT DOLLIE**

7000174 (1)
PARKER
3353-8-8



1007201 (1)
BRACKET
BULKHEAD
CONNECTOR



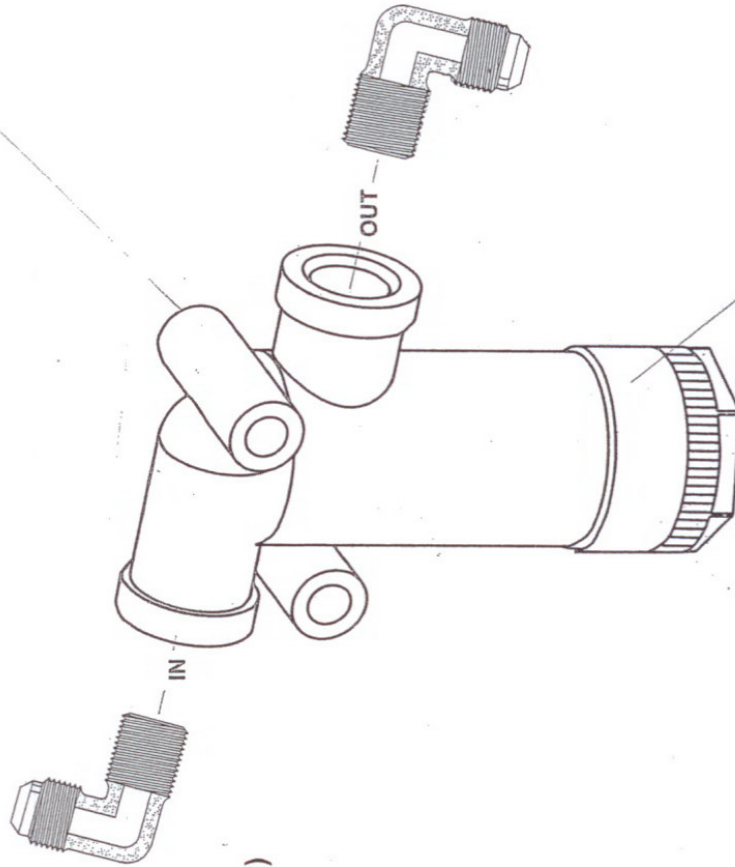
**BULKHEAD CONNECTOR ASSEMBLY
CON-WAY FREIGHT DOLLIE**

PART NUMBER	PORT SIZES (NPT)	
	Inlet	Outlet
2550	3/8"	3/8"

6000319 (2)
BOLT, 5/16"-18 x 2 1/2"

6100316 (2)
NYLOK NUT 5/16"-18

6200312 (2)
FLATWASHER 5/16"

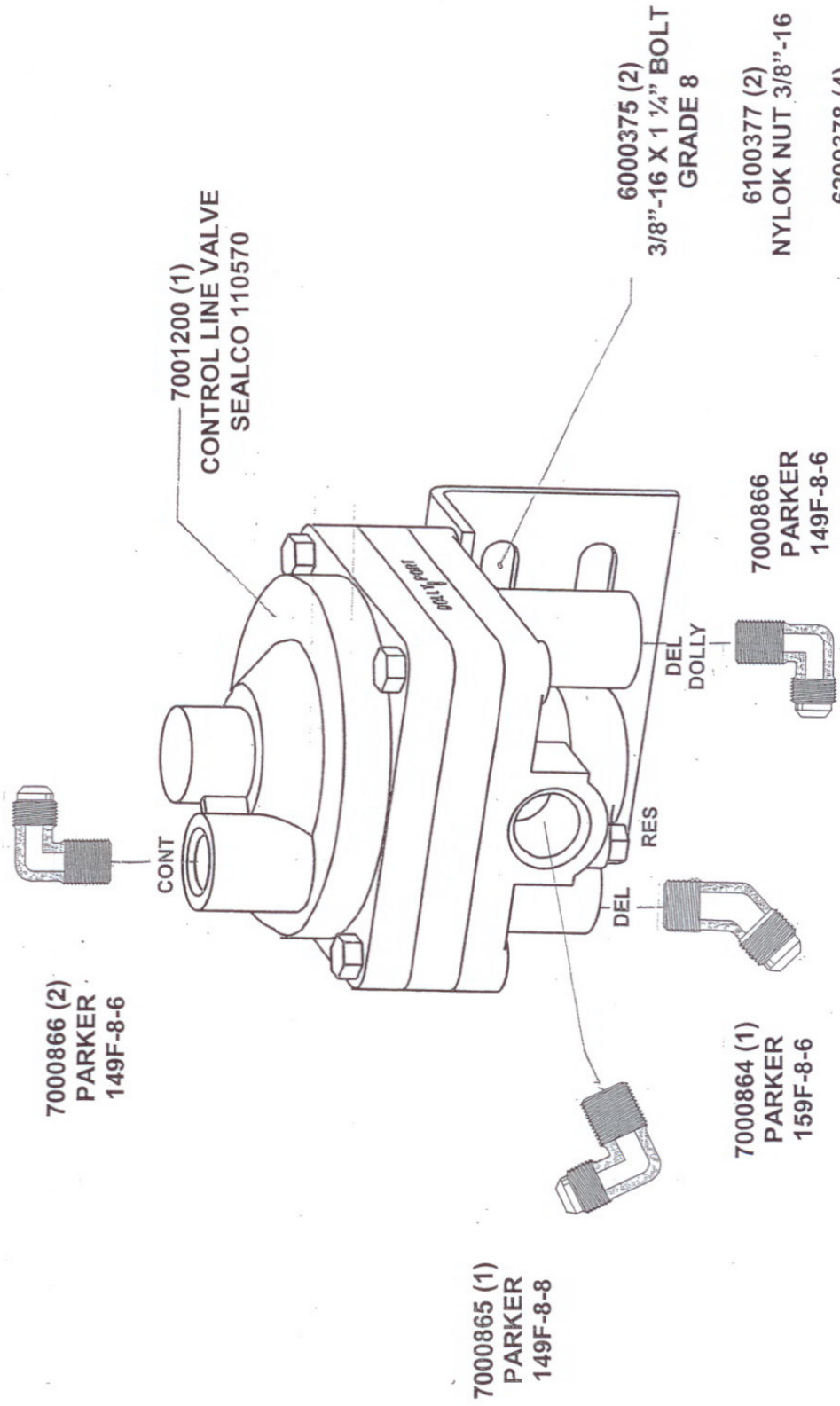


7000866 (2)
PARKER
149F-8-6

7000110 (1)
AIR LINE FILTER
SEALCO 2550

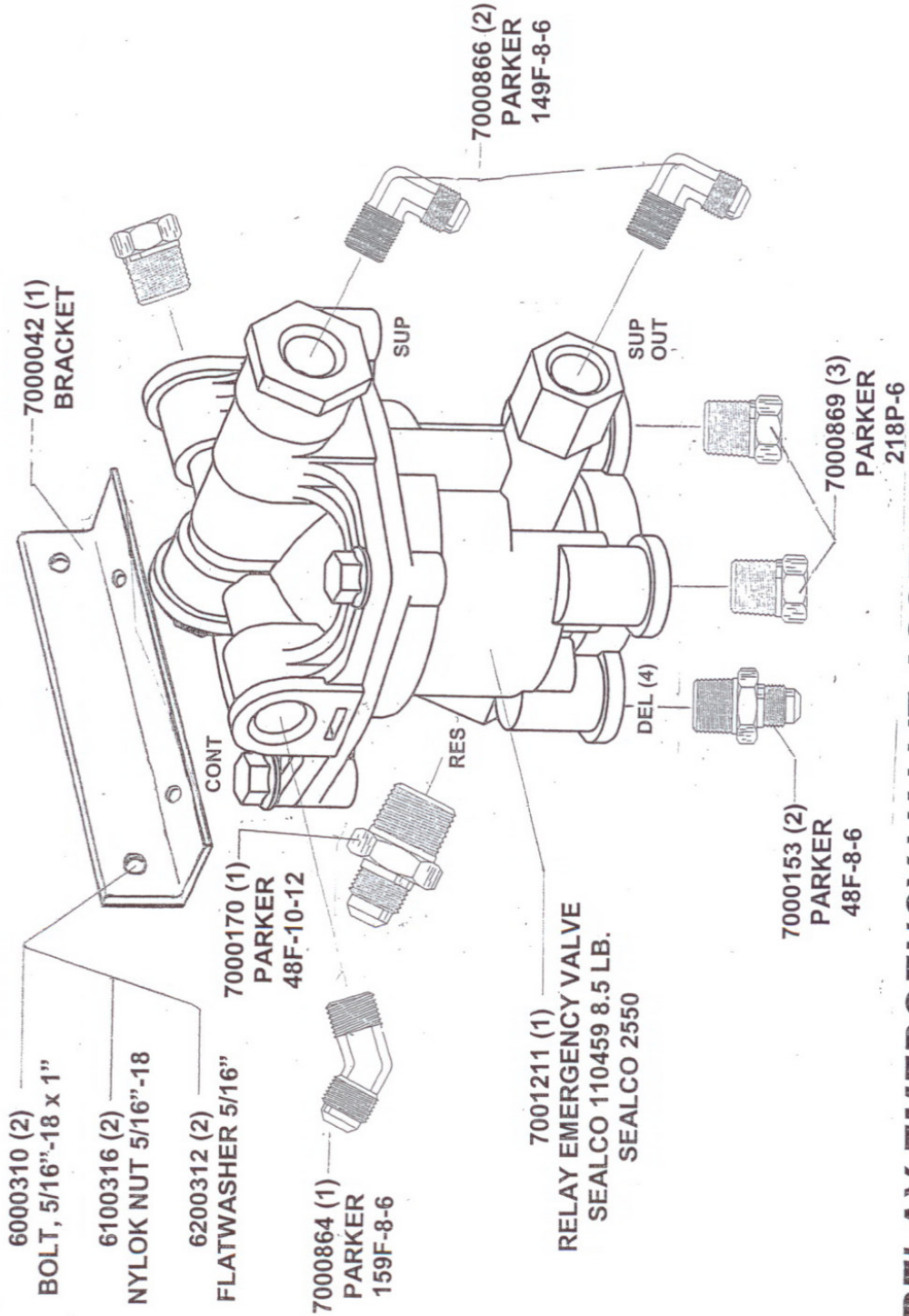
AIR LINE FILTER ASSEMBLY CON-WAY FREIGHT DOLLIE

PART NUMBER	PORT SIZES (NPT)			NOMINAL CRACK PRESSURE	COMMENTS
	Control	Reservoir	Delivery		
110570	3/8"	1/2"	3/8"	0.0 psi	Includes Bracket as shown



CONTROL LINE VALVE ASSEMBLY - DOLLIE CON-WAY FREIGHT DOLLIE

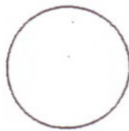
PART NUMBER	PORT SIZES (NPT)				RATIO FEATURE	NOMINAL CRACK PRESSURE
	Supply	Control	Reservoir	Delivery		
110459 *	3/8"	3/8"	3/4"	3/8"	No	8.5 psi



RELAY EMERGENCY VALVE ASSEMBLY CON-WAY FREIGHT DOLLIE

S-CAM BRAKES ONLY

PART NUMBER	NAME PLATE	KNOB	PORT SIZES (NPT)			COMMENTS
			Inlet	Outlet	Exhaust	
17600B	826	13	1/4"	1/4"	1/4"	Dolly & Trailer Park Brake Release



KNOB 13-1 (BLACK PLASTIC)

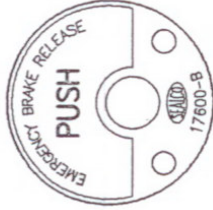
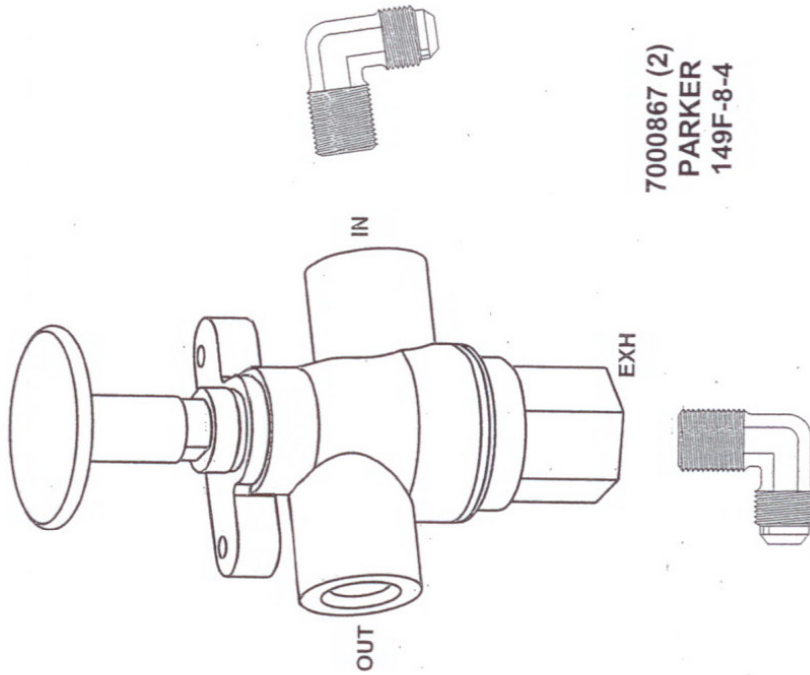


PLATE 826



7000152 (1)
PARKER
48F-8-4

7001002 (1)
HAND CONTROL VALVE
SEALCO 17600B

7000867 (2)
PARKER
149F-8-4

HAND CONTROL VALVE - PARK BRAKE RELEASE CON-WAY FREIGHT DOLLIE

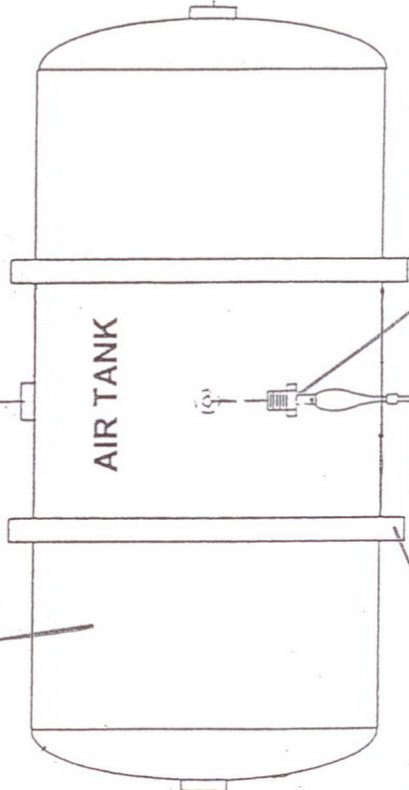
AT AIR TANK FRAME BRACKET

- 6000375 (4)
BOLT, 3/8"-A6 x 1 1/4"
- 6100377 (4)
NYLOK 38"-16
- 6200376 (4)
FLAT WASHER, 3/8" USS

- 7000170 (1)
PARKER
48F-10-12

- 7000103 (1)
AIR TANK 8000 HV
HT-8010 RS

- 7000866 (1)
PARKER
149F-8-6



- 7000869 (1)
PARKER 218P-6

- 7000165 (1)
DRAIN CABLE ASSY. 60"
HEBCO 401047

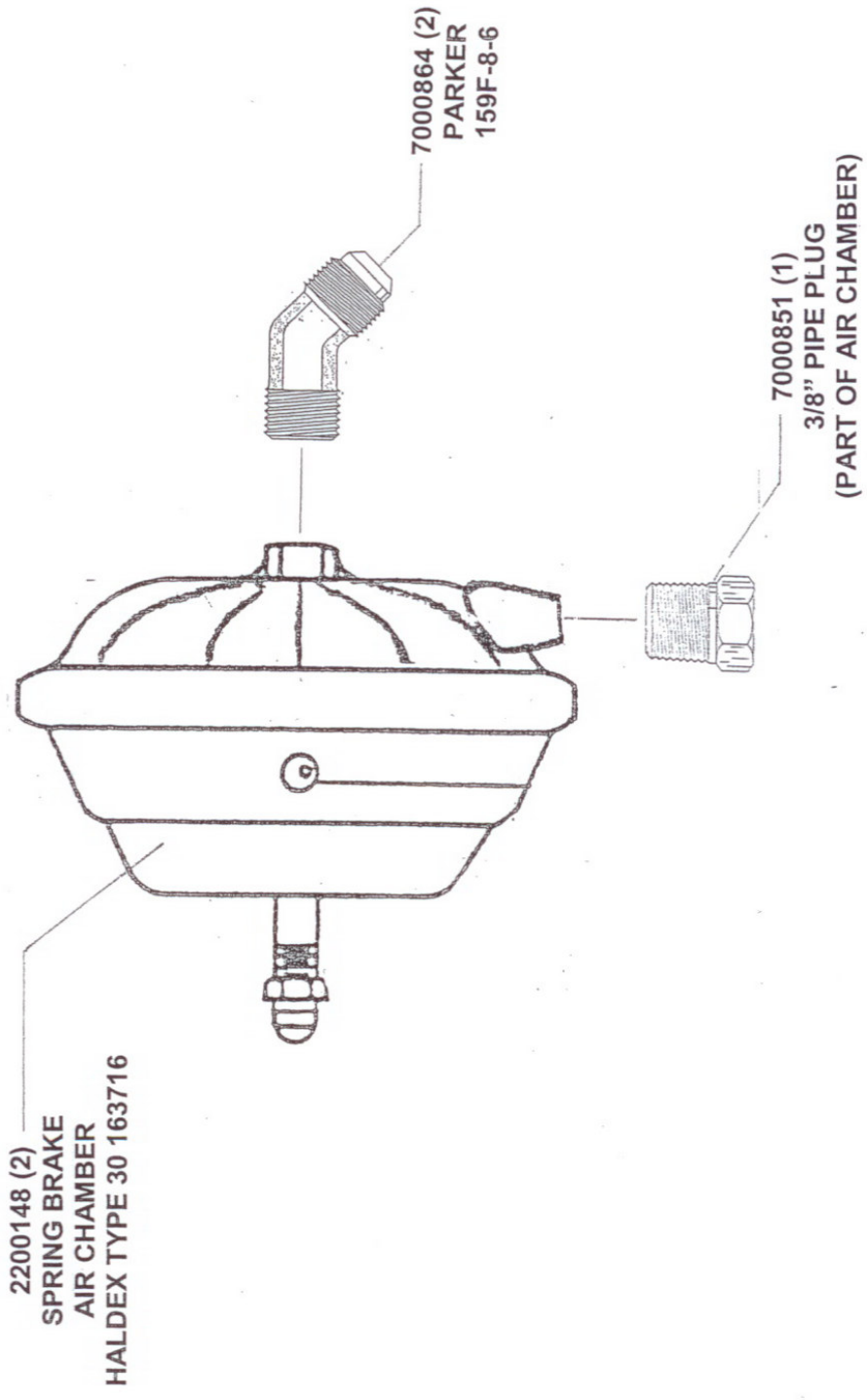
- 7000901 (1)
RING, 1"
BARON 8894T50

- 700200 (1)
AIR TANK MOUNT KIT
WILLIAMS WM298 HTC-7311

- 1007204 (2)
FRAME BRACKET
AIR TANK

- 1007212 (1)
DRAIN CABLE BRACKET

**AIR TANK ASSEMBLY
CON-WAY FREIGHT DOLLIE**



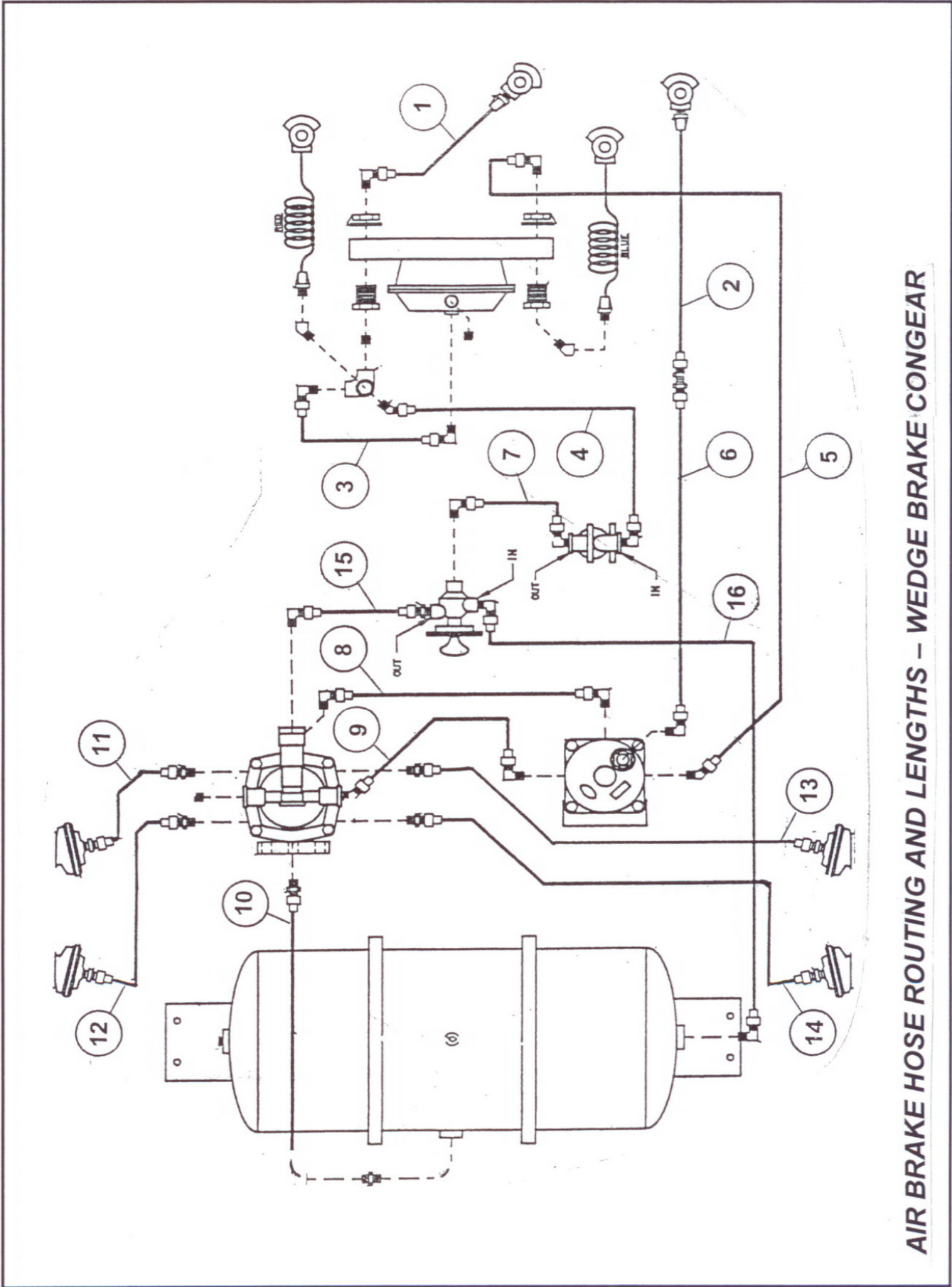
**AIR BRAKE CHAMBER ASSEMBLY
 CON-WAY FREIGHT DOLLIE**

CWF - DOLLIE

WEDGE

AIR BRAKE ASSEMBLY

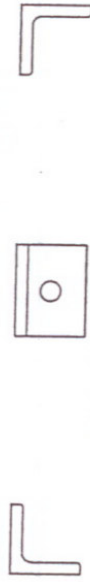
2008



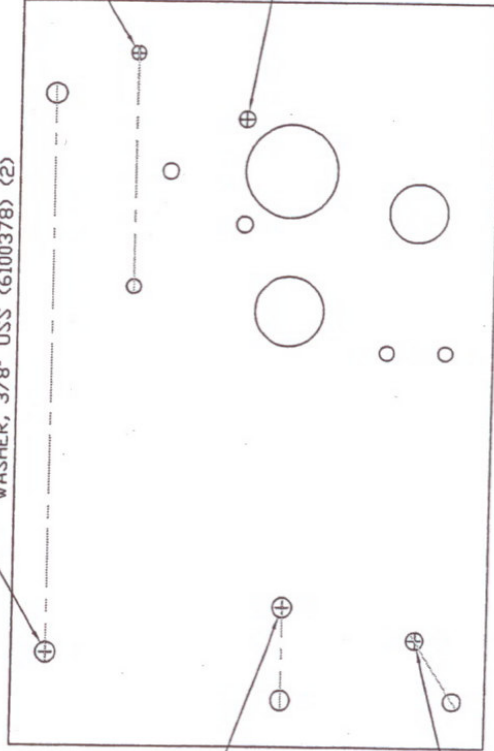
AIR BRAKE HOSE ROUTING AND LENGTHS – WEDGE BRAKE CONGEAR

1004201 (2)

ANGLE, PLATE MOUNT



BOLT, 3/8"-16x1 1/4" (6000375) (2)
NYLOK NUT, 3/8"-16 (6100377) (2)
WASHER, 3/8" USS (6100378) (2)



BOLT, 5/16"-18x1" (6000310) (2)
NYLOK NUT, 5/16"-16 (6100316) (2)
WASHER, 5/16" USS (6200312) (2)
VALVE MOUNTING BRACKET (7000042) (1)

NOT USED W/O ABS

BOLT, 3/8"-16x1 1/4" (6000375) (2)
WASHER, 3/8" SAE (6200378) (4)
NYLOK NUT, 3/8"-16 (6100377) (2)

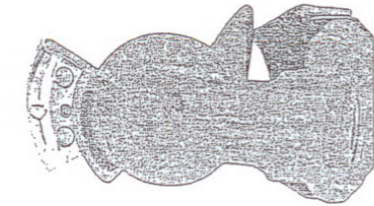
BOLT, 5/16"-18x2 1/2" (6000319) (2)
WASHER, 5/16" USS (6200312) (2)
NYLOK NUT, 5/16x18 (6100316) (2)

PLATE WITH OUT ABS

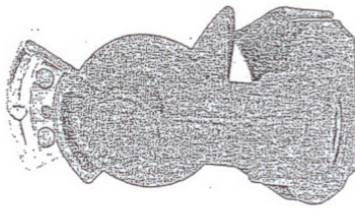
1006123

AIR BRAKE VALVE PLATE ASSEMBLY CON-WAY FREIGHT DOLLIE

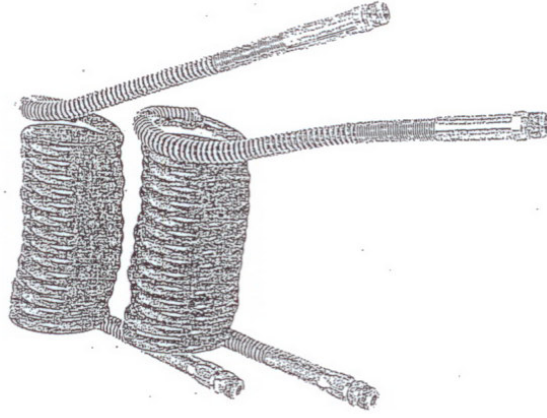
7000022 (2)
SERVICE GLADHAND
PHILLIPS 12-006238BK



7000023 (2)
EMERGENCY GLADHAND
PHILLIPS 12-008238BK

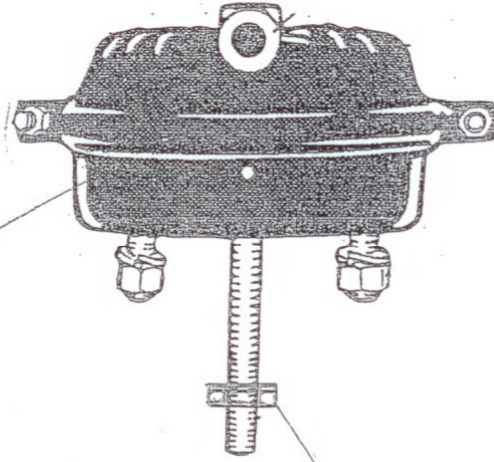


7000970 (1)
COILED AIR BRAKE TUBE
PARKER 7516411



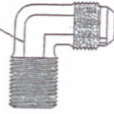
GLADHANDS & COILED AIR LINE ASSEMBLIES
CON-WAY FREIGHT DOLLIE

1009130 (1)
AIR CHAMBER, TYPE 24
ANCHORLOK 281 SPL



6100625 (1)
NUT, 5/8"-18
(PART OF AIR CHAMBER)

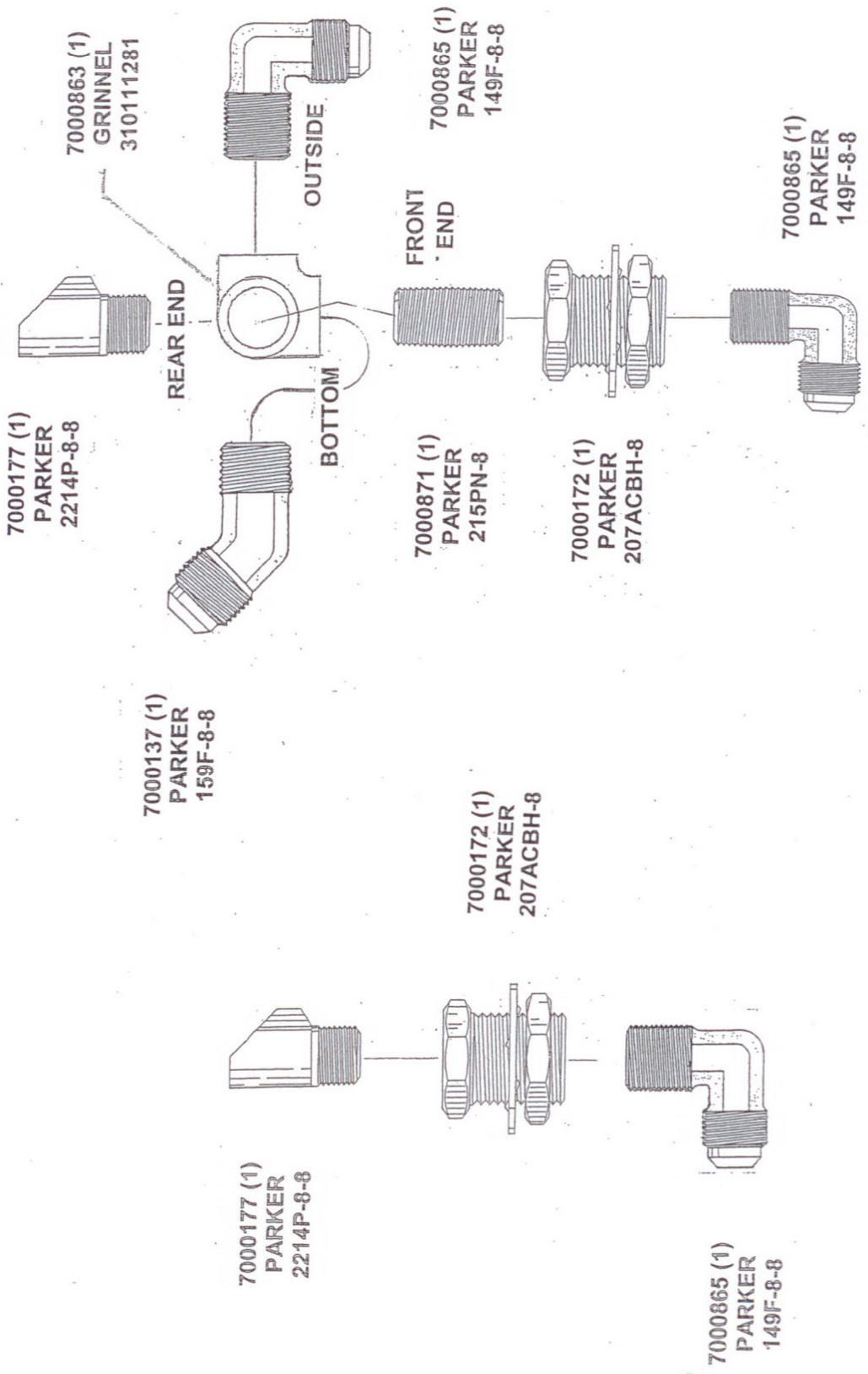
7000866 (1)
PARKER
149F-8-6



7000851 (1)
3/8" PIPE PLUG
(PART OF AIR CHAMBER)

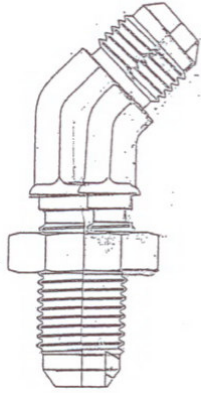


DRAWBAR AIR CHAMBER ASSEMBLY CON-WAY FREIGHT DOLLIE

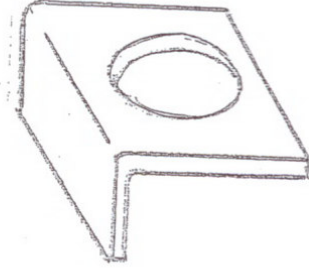


**GLADHAND BULKHEAD ASSEMBLIES
CON-WAY FREIGHT DOLLIE**

7000174 (1)
PARKER
3353-8-8



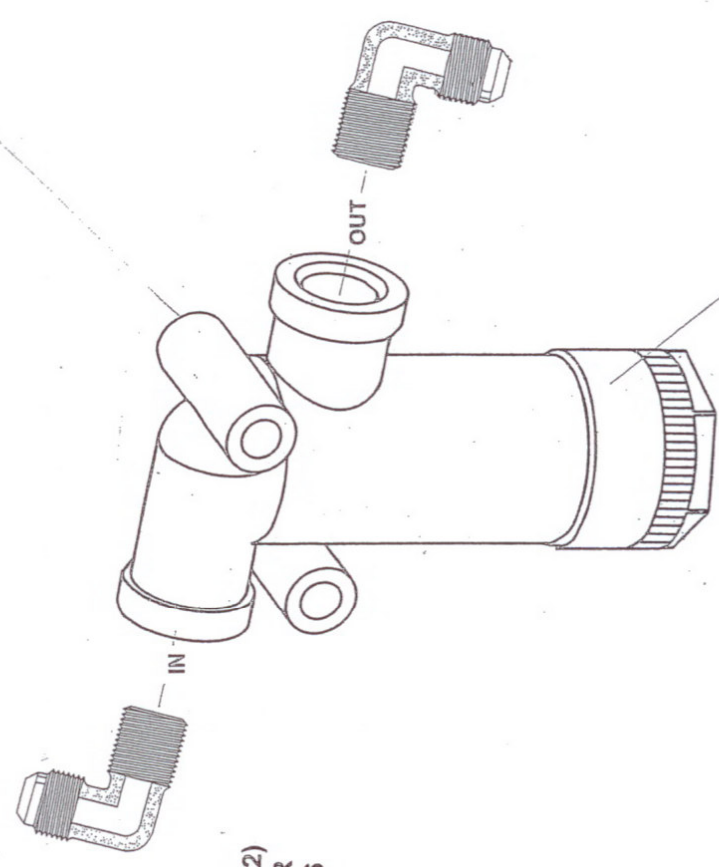
1007201 (1)
BRACKET
BULKHEAD
CONNECTOR



**BULKHEAD CONNECTOR ASSEMBLY
CON-WAY FREIGHT DOLLIE**

PART NUMBER	PORT SIZES (NPT)	
	Inlet	Outlet
2550	3/8"	3/8"

- 6000319 (2)
BOLT, 5/16"-18 x 2 1/2"
- 6100316 (2)
NYLOK NUT 5/16"-18
- 6200312 (2)
FLATWASHER 5/16"

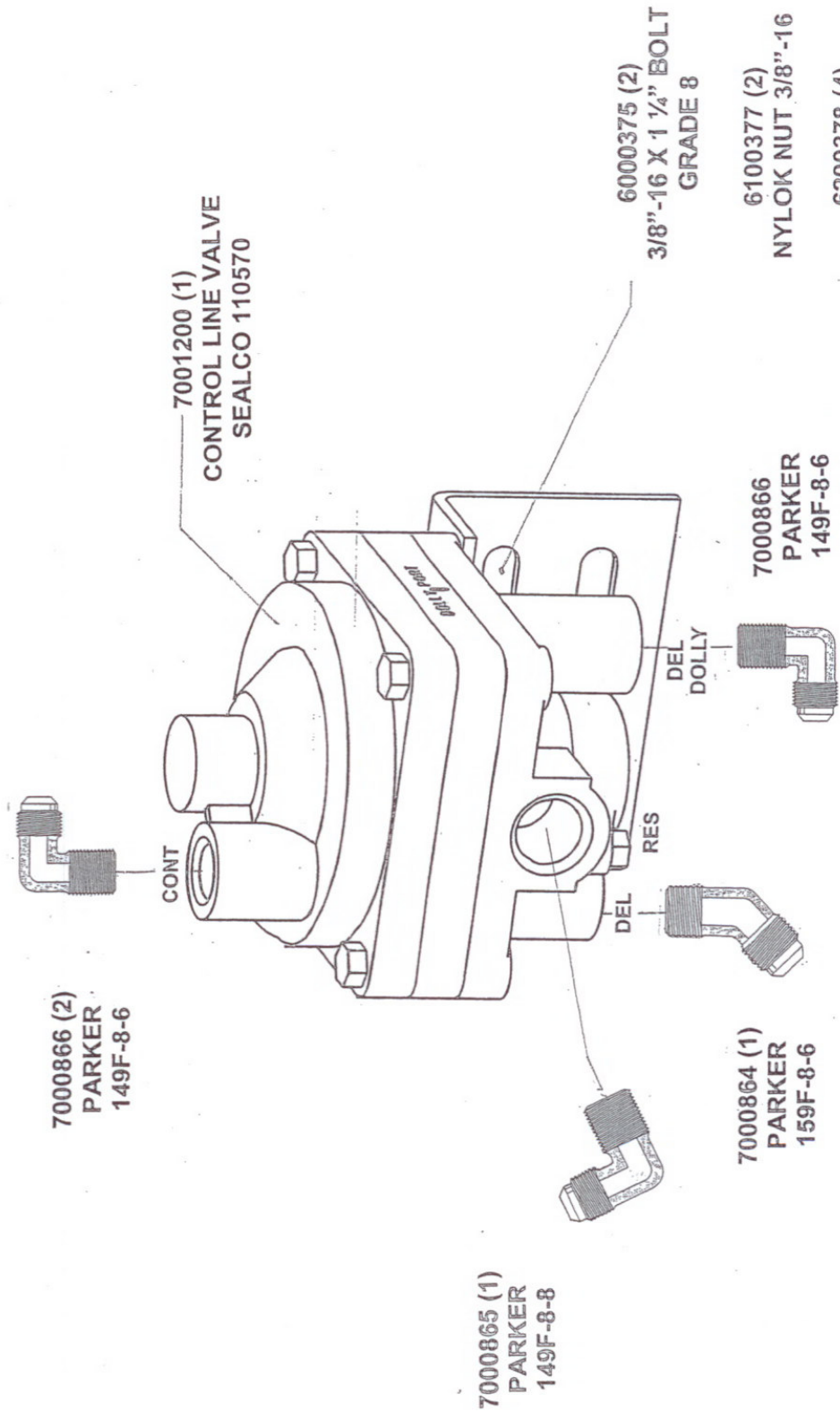


7000866 (2)
PARKER
149F-8-6

7000110 (1)
AIR LINE FILTER
SEALCO 2550

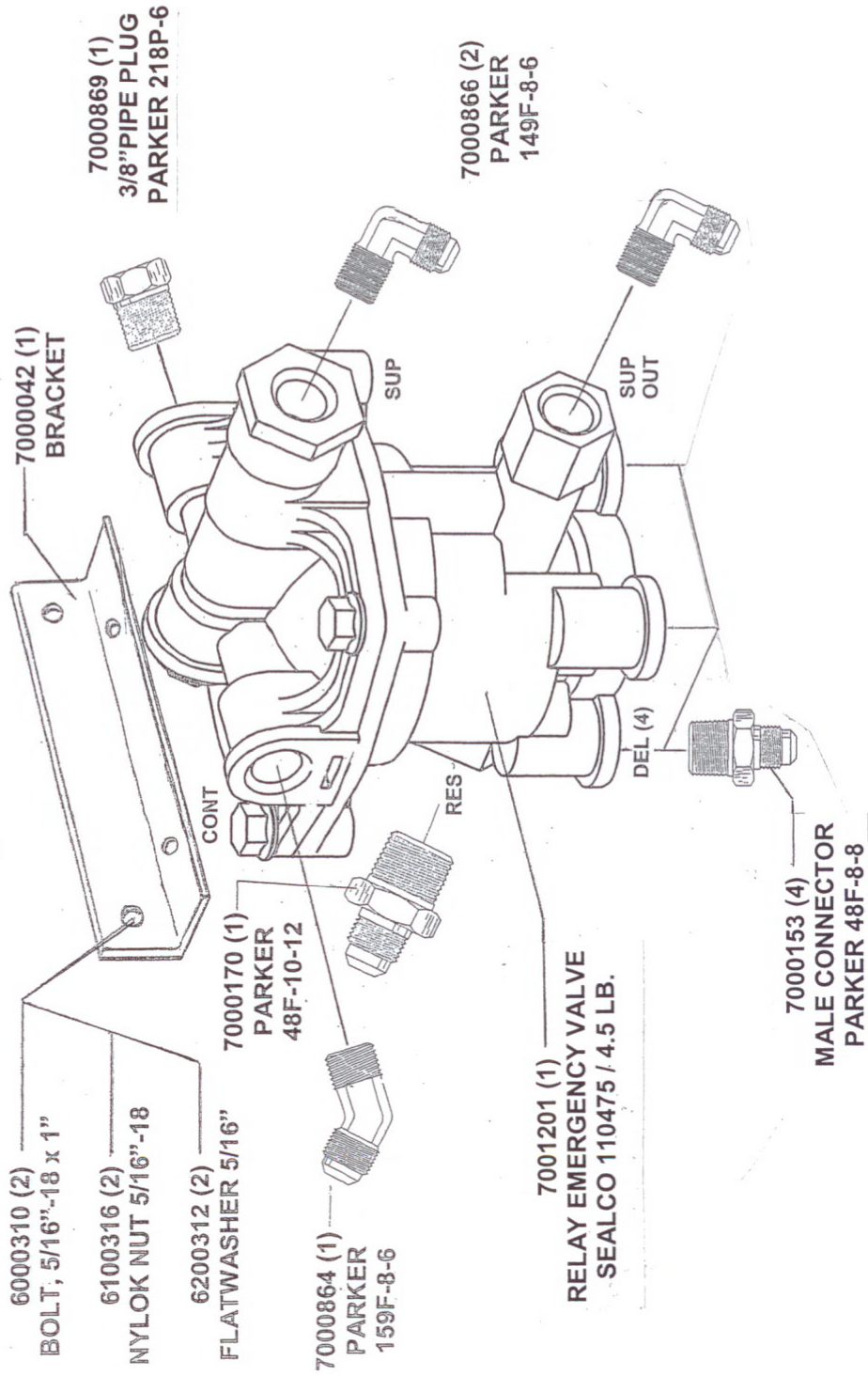
AIR LINE FILTER ASSEMBLY CON-WAY FREIGHT DOLLIE

PART NUMBER	PORT SIZES (NPT)			NOMINAL CRACK PRESSURE	COMMENTS
	Control	Reservoir	Delivery		
110570	3/8"	1/2"	3/8"	0.0 psi	Includes Bracket as shown



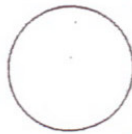
**CONTROL LINE VALVE ASSEMBLY - DOLLIE
CON-WAY FREIGHT DOLLIE**

PART NUMBER	PORT SIZES (NPT)				RATIO FEATURE	NOMINAL CRACK PRESSURE
	Supply	Control	Reservoir	Delivery		
110475	3/8"	3/8"	3/4"	3/8"	No	4.5 psi

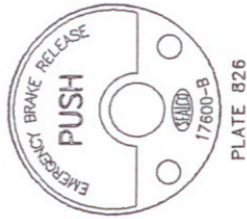


RELAY EMERGENCY VALVE ASSEMBLY, WEDGE BRAKES

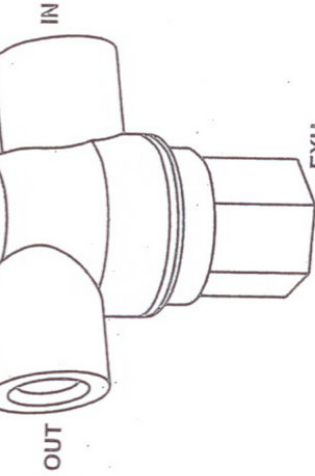
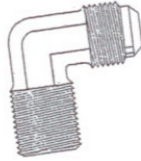
PART NUMBER	NAME PLATE	KNOB	PORT SIZES (NPT)			COMMENTS
			Inlet	Outlet	Exhaust	
17600B	826	13	1/4"	1/4"	1/4"	Dolly & Trailer Park Brake Release



KNOB 13-1 (BLACK PLASTIC)

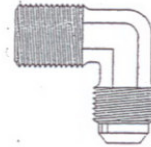


7000152 (1)
PARKER
48F-8-4



7001002 (1)
HAND CONTROL VALVE
SEALCO 17600B

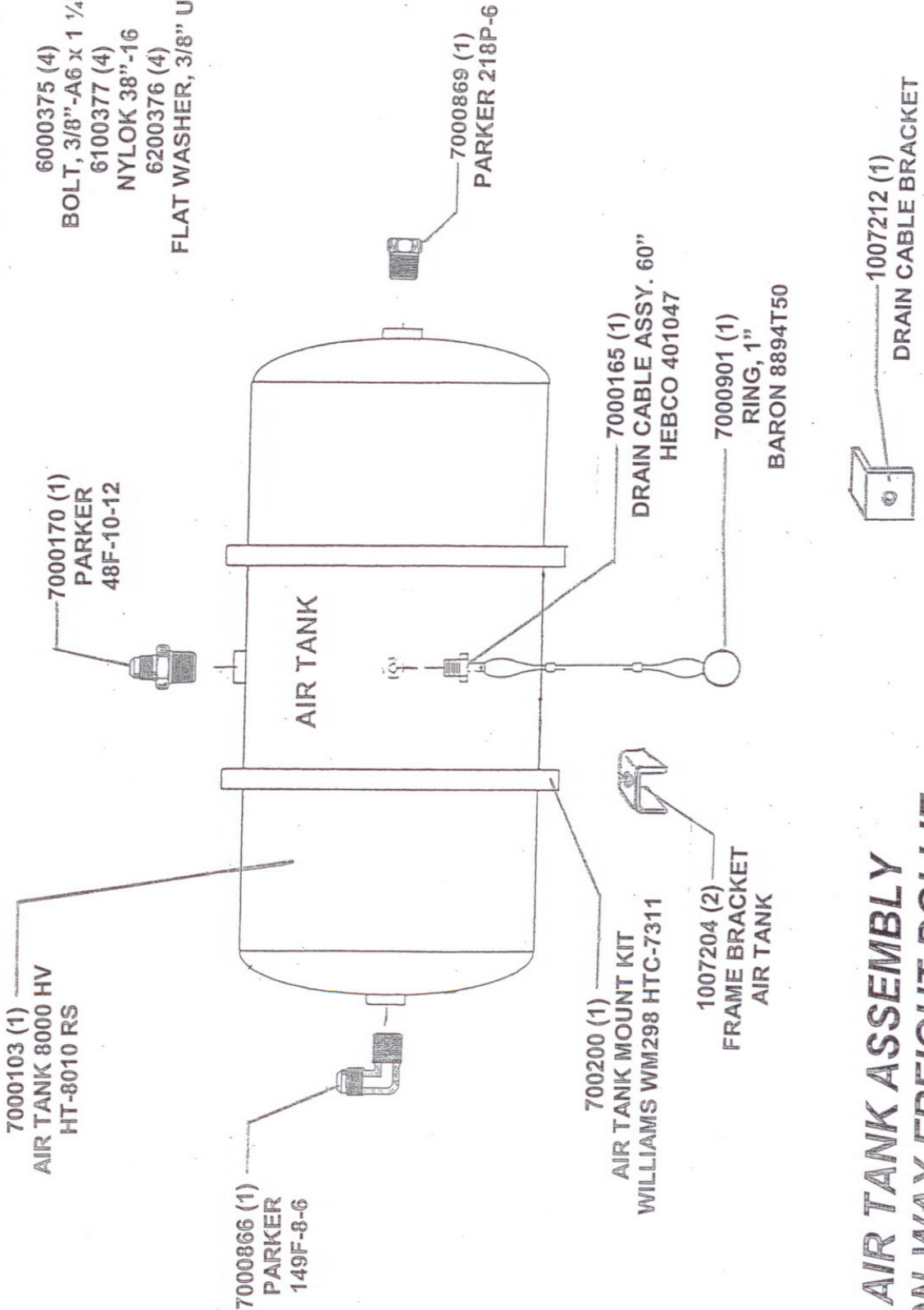
7000867 (2)
PARKER
149F-8-4



HAND CONTROL VALVE - PARK BRAKE RELEASE CON-WAY FREIGHT DOLLIE

AT AIR TANK FRAME BRACKET

- 6000375 (4)
BOLT, 3/8" -A6 X 1 1/4"
- 6100377 (4)
NYLOK 38"-16
- 6200376 (4)
FLAT WASHER, 3/8" USS



**AIR TANK ASSEMBLY
CON-WAY FREIGHT DOLLIE**

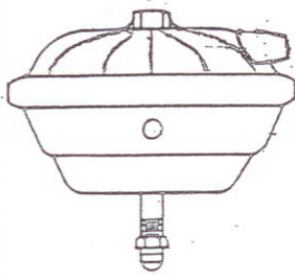
CWF - DOLLIE

S-CAM BRAKE

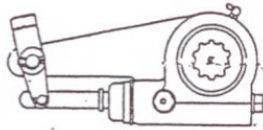
AXLE ASSEMBLY

2008

2200148 (2)
AIR BRAKE CHAMBER
HALDEX TYPE 30 163716



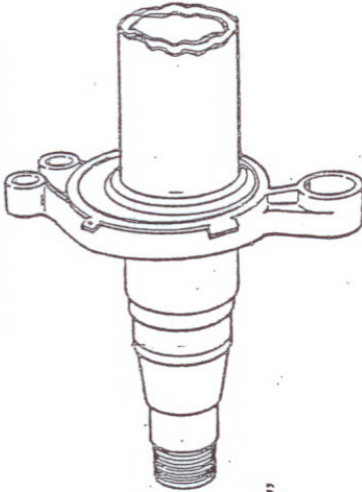
2200019 (2)
CLEVIS KIT, SLACK ADJUSTER
HALDEX CF-2



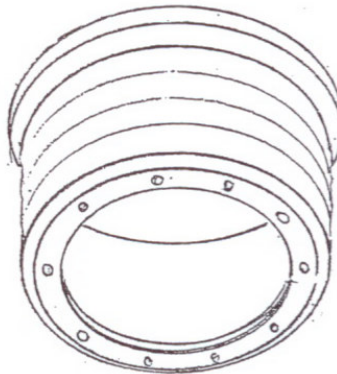
2200049 (2)
SLACK ADJUSTER, 5 1/2"
HALDEX 409-10979

2200031 (2)
BRACKET, SLACK ADJUSTER
HALDEX 427-10569

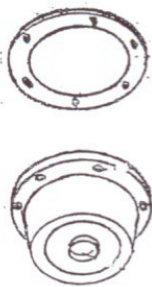
2200005 (1)
AXLE (71.5") 5" S-CAM 16.5" x 8"
MERITOR TN4691L6366



2200159 (2)
BRAKE DRUM 16.5" x 8"
HAYES 91792B



2200233 (2)
HUBCAP, DUAL DYNAMIC
CONMET 106819Y

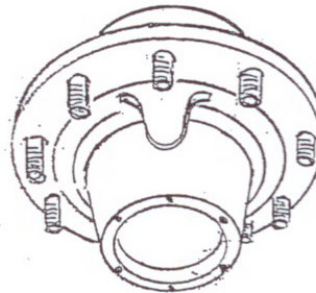


9100203 (2)
PRO-TORQUE NUT
CONMET 4474743



6000310 (6 PER)
BOLT, 5/16"-18 x 1"

6200313 (6 PER)
5/16" LOCKWASHER



1009996 (1)
HUB, L.H. PRE-ASSEMBLED
CONMET 10009996

1009997 (1)
HUB, R.H. PRE-ASSEMBLED
CONMET 10009997

CONGEAR AXLE ASSEMBLY 5" ROUND AXLE - S CAM BRAKES

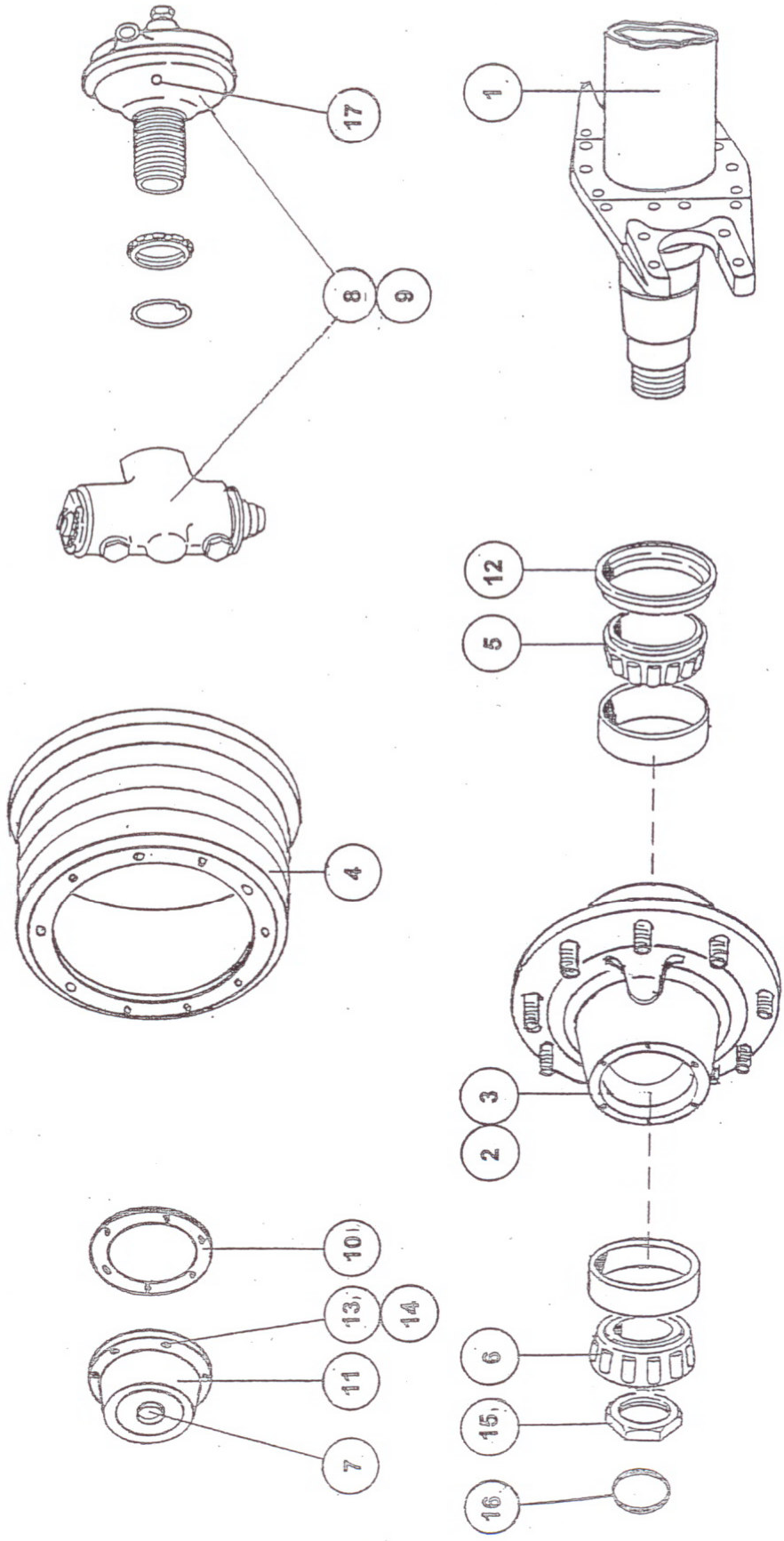
CWF - DOLLIE

WEDGE BRAKE

AXLE ASSEMBLY

2008

CONGEAR AXLE ASSEMBLY 4 x 6" RECTANGULAR AXLE - WEDGE BRAKES



CONGEAR AXLE ASSEMBLY, 4" x 6" WEDGE BRAKE

CWF - DOLLIE

5" ROUND AXLE

***SUSPENSION
ASSEMBLY***

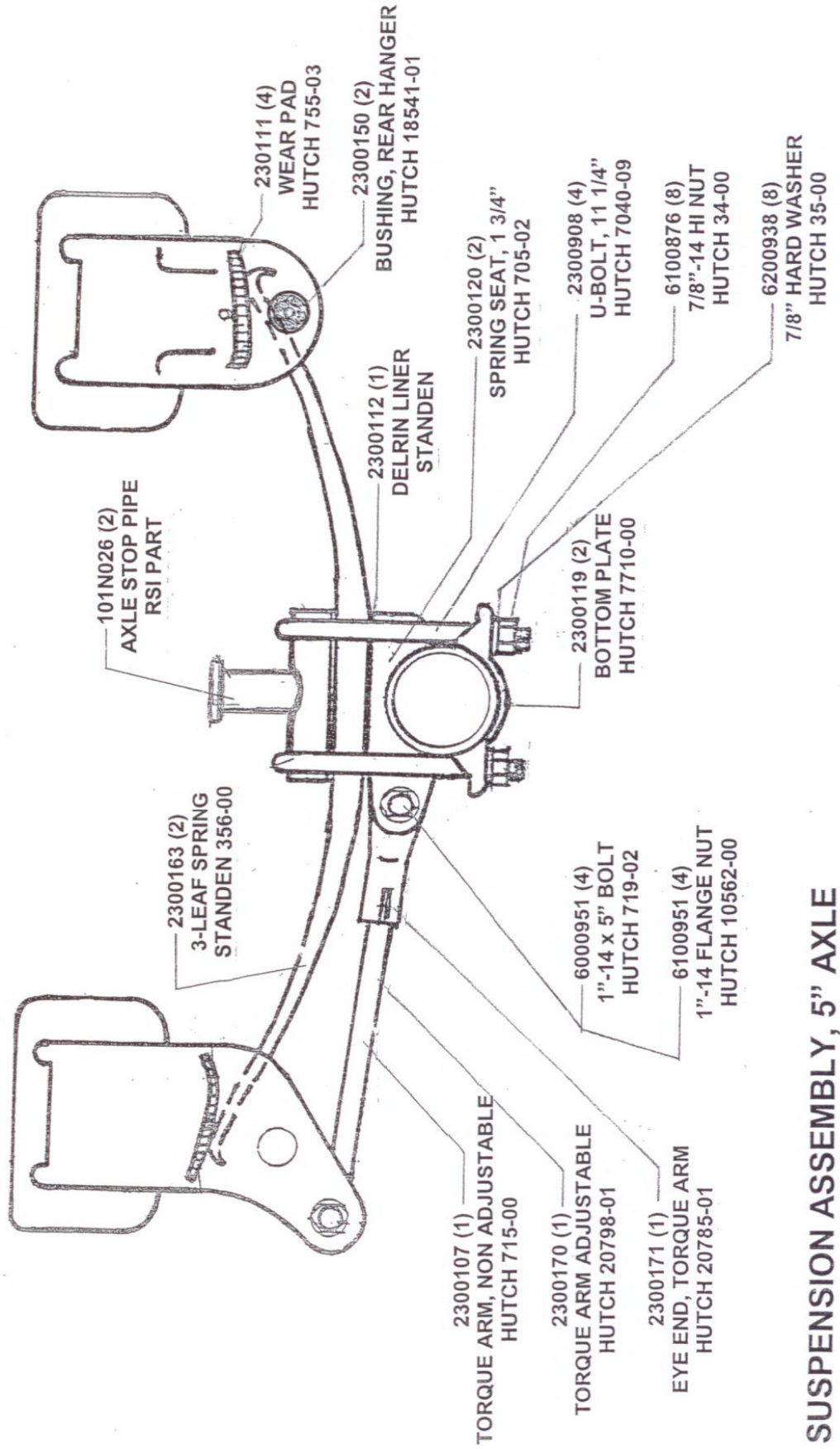
2008

2300152 (1)
SPRING HANGER, CAST - FRONT L.H.
HUTCH 16645-03

2300153 (1)
SPRING HANGER, CAST - FRONT R.H.
HUTCH 16645-04

2300154 (1)
SPRING HANGER, CAST - REAR L.H.
HUTCH 712-31

2300155 (1)
SPRING HANGER, CAST - REAR R.H.
HUTCH 712-32



SUSPENSION ASSEMBLY, 5" AXLE

CWF - DOLLIE

4" x 6" AXLE

***SUSPENSION
ASSEMBLY***

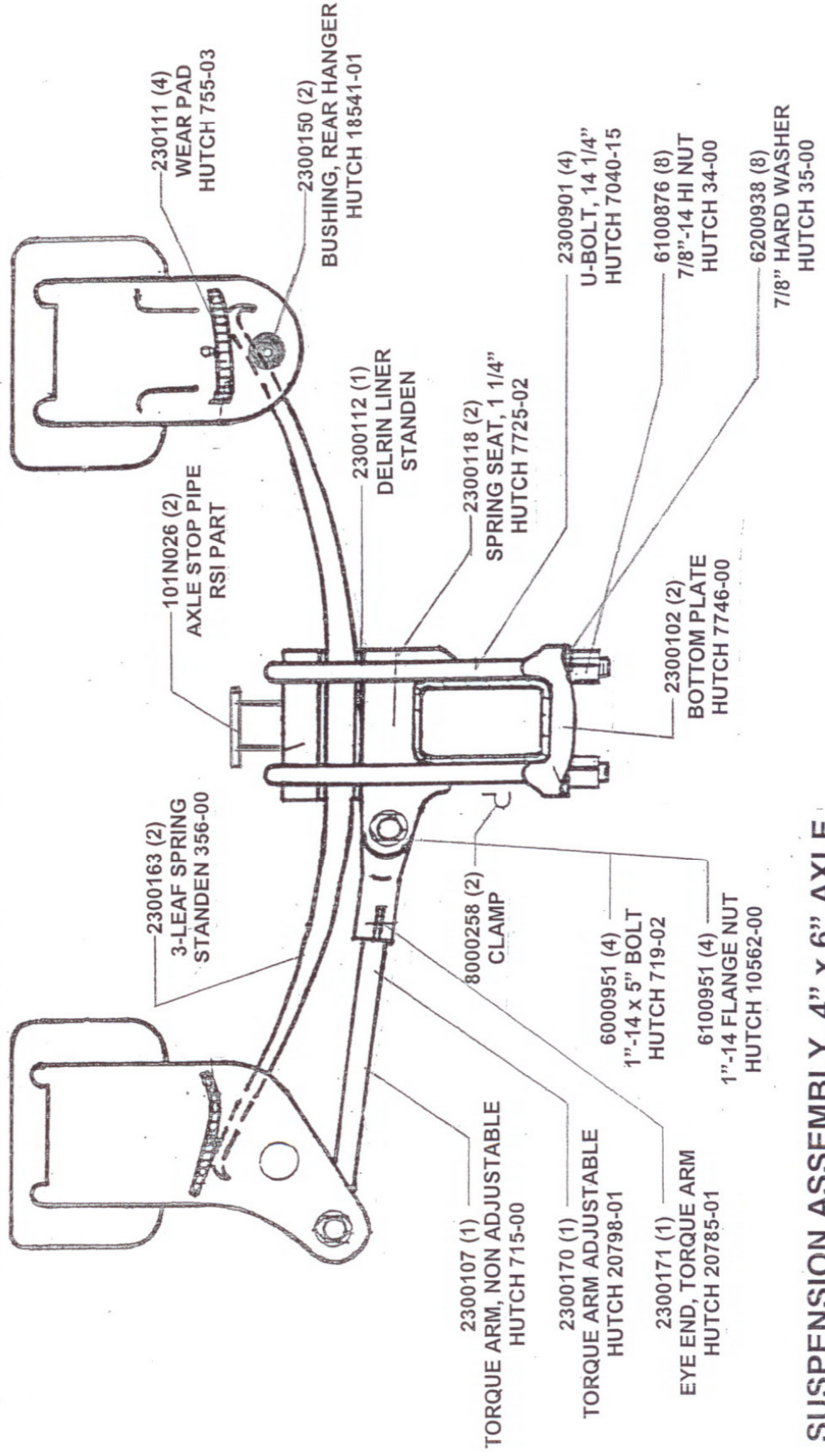
2008

2300152 (1)
SPRING HANGER, CAST - FRONT L.H.
HUTCH 16645-03

2300153 (1)
SPRING HANGER, CAST - FRONT R.H.
HUTCH 16645-04

2300154 (1)
SPRING HANGER, CAST - REAR L.H.
HUTCH 712-31

2300155 (1)
SPRING HANGER, CAST - REAR L.H.
HUTCH 712-32



SUSPENSION ASSEMBLY, 4" x 6" AXLE

CWF – DOLLIE

***ELECTRICAL
ASSEMBLY***

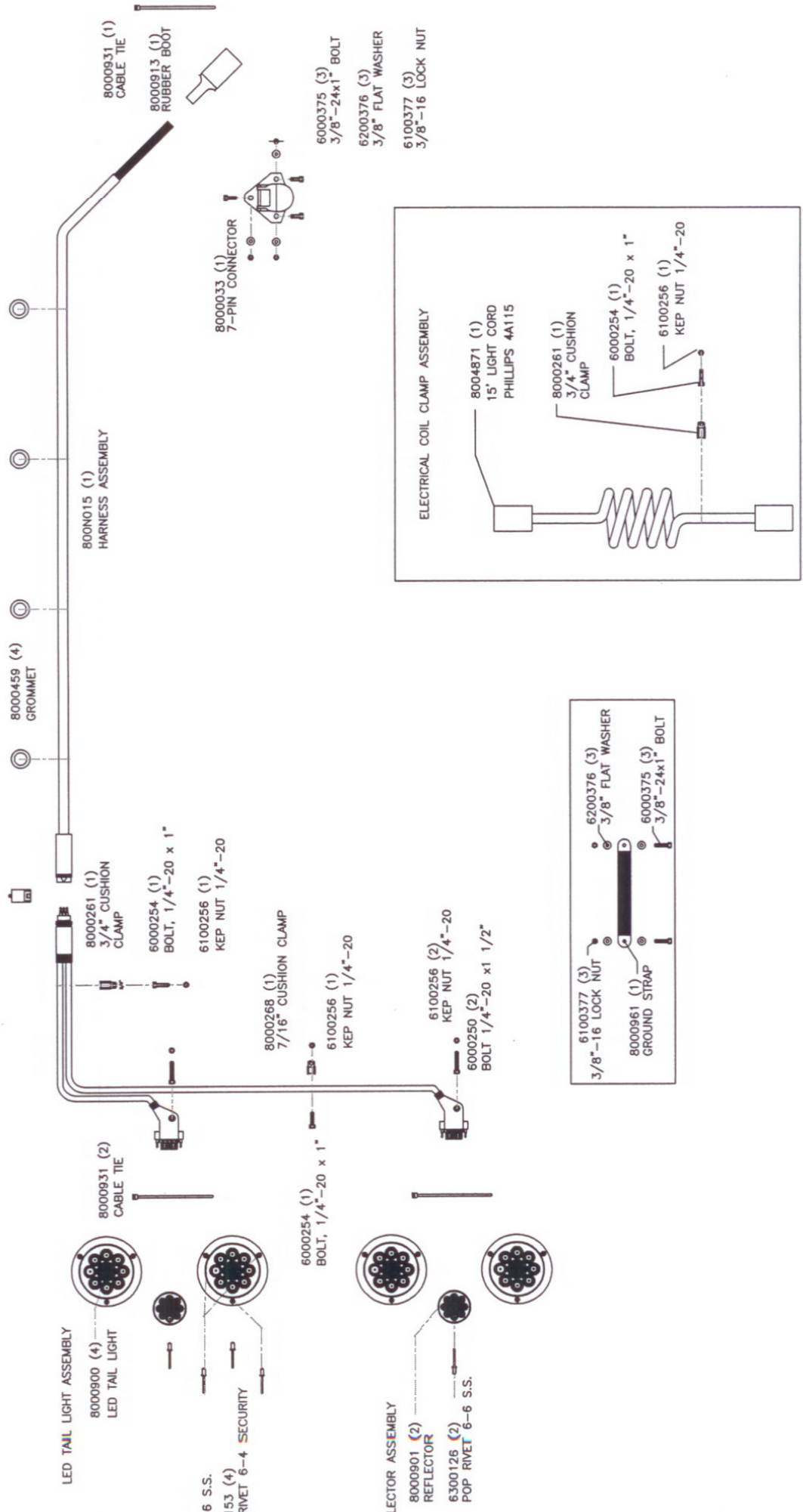
2008

ELECTRICAL ASSEMBLY - 800M100

CON-WAY

12-11-08

DCTSGS2 & DCWF-01 DOLLIE



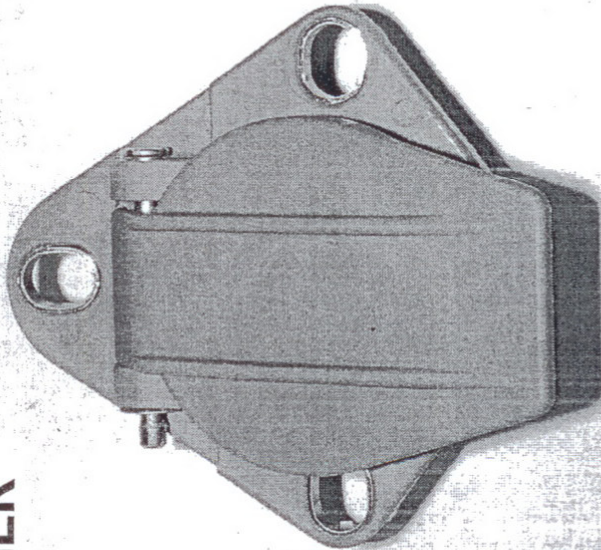
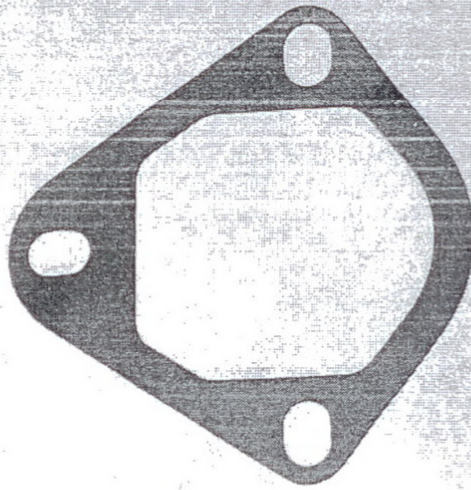
6000375 (3)
BOLT, 3/8" -16 x 1 1/4"

6100377 (3)
NYLOK NUT, 3/8" -16

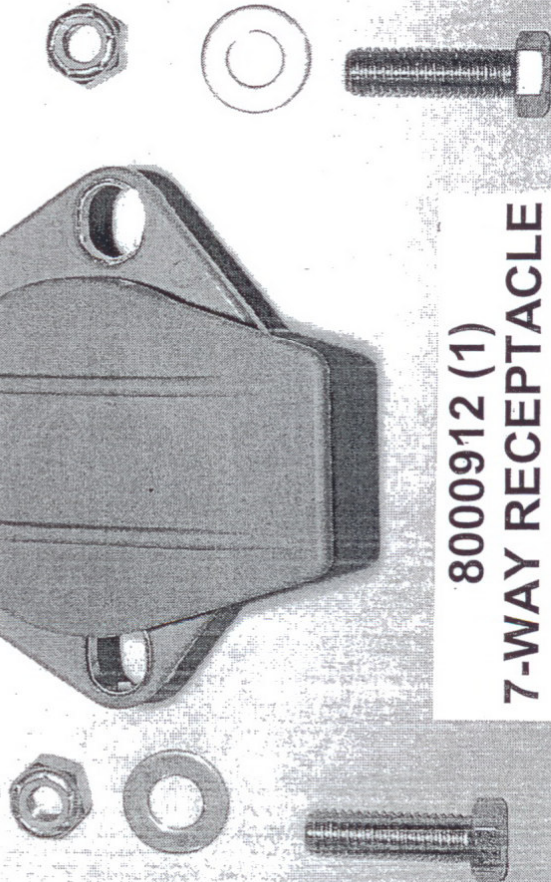
6200376 (3)
3/8" FLATWASHER

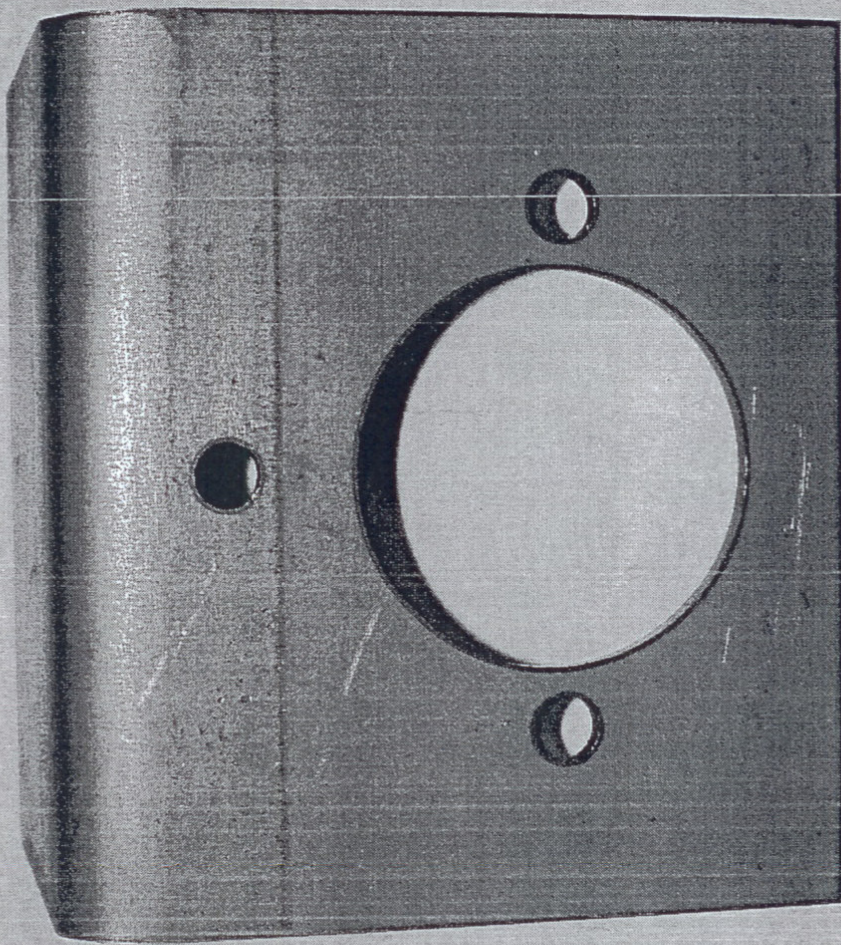


8000913 (1)
BOOT
TRAMEC 3827005



8000912 (1)
7-WAY RECEPTACLE
TRAMEC 38276
WITH GASKET





1007213 (1)
BRACKET, 7-WAY RECEIPTICAL

7-WAY BRACKET – CWF DOLLIE / 2008

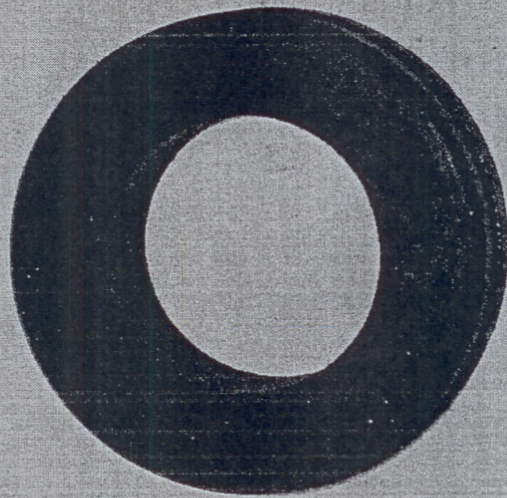
8000261 (1)
3/4" CUSHION CLAMP

6000254 (1)
1/4"-20 x 1" BOLT
GRADE 8

6100256 (1)
1/4"-20 KEP NUT

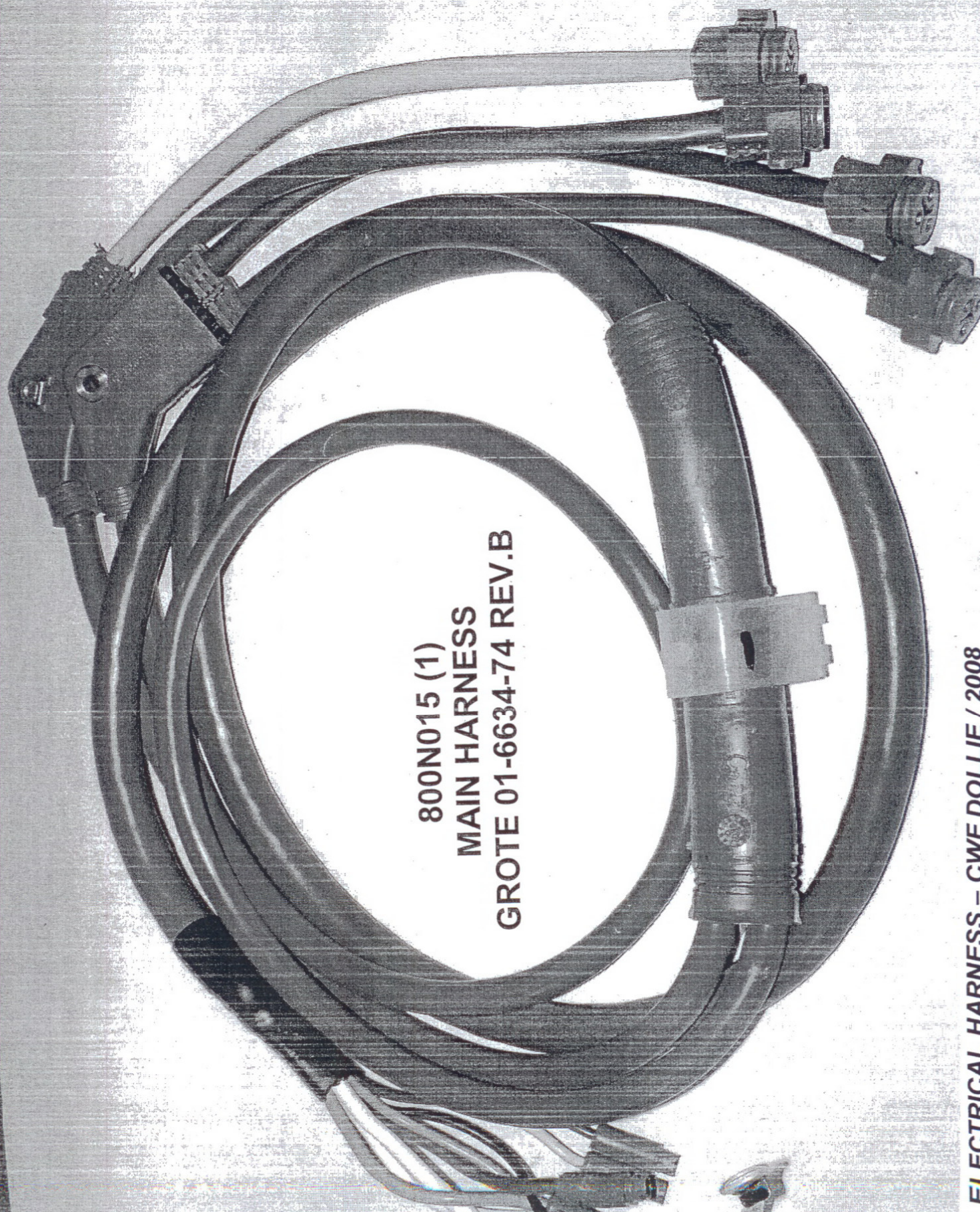
8004871 (1)
CORD, TRACTOR, 15'
TRAMEC 4A115

CLAMP ASSEMBLY, ELECTRICAL CABLE - CWF DOLLIE / 2008



8000459 (4)

GROMMET 1 3/4" x 1" x 9/16" x 3/16"
ATLANTIC RUBBER 2772



800N015 (1)
MAIN HARNESS
GROTE 01-6634-74 REV.B

MAIN ELECTRICAL HARNESS - CWF DOLLIE / 2008

8000961 (1)
GROUND STRAP
PHILLIP, 9-150



6000375 (2)
3/8" -16 x 1 1/4" BOLT
GRADE 8

6100377 (2)
3/8" -16 NYLOK NUT

6200376 (4)
3/8" FLAT WASHER



6000254 (1)
1/4"-20 x 1" BOLT
GRADE 8

8000261 (1)
3/4" CUSHION CLAMP

6100256 (1)
1/4"-20 KEP NUT

CLAMP ASSEMBLY, ELECTRICAL CABLE - CWF DOLLIE / 2008

8000268 (1)
7/16" CUSHION CLAMP

6100256 (1)
1/4"-20 KEP NUT

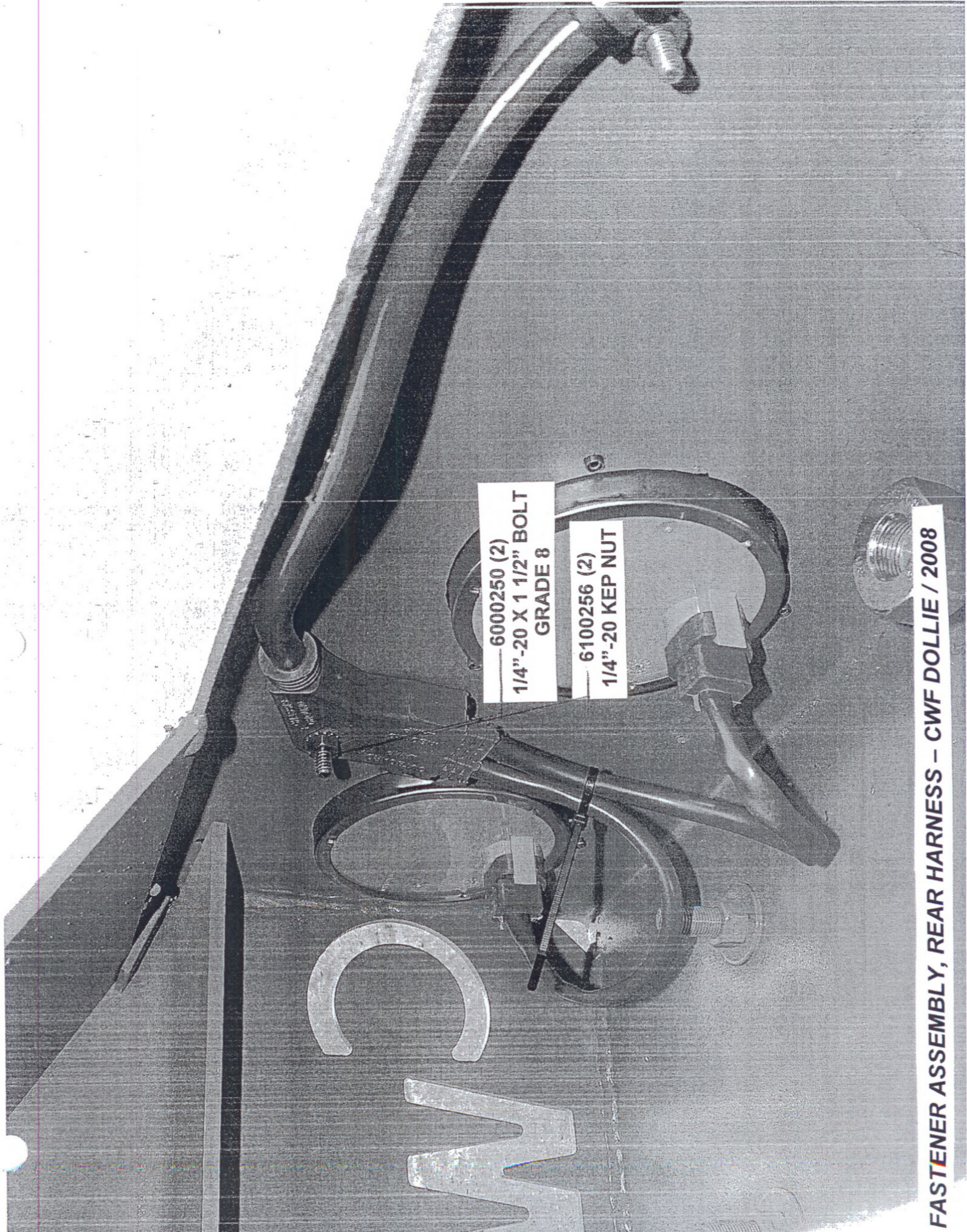
6000254 (1)
1/4"-20 x 1" BOLT
GRADE 8

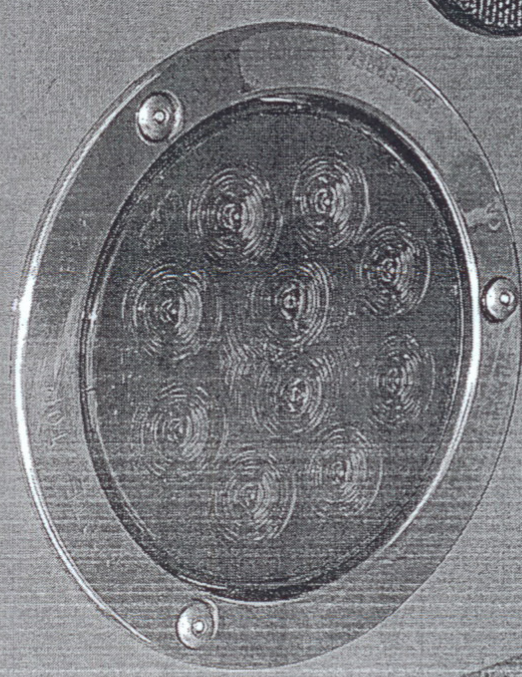
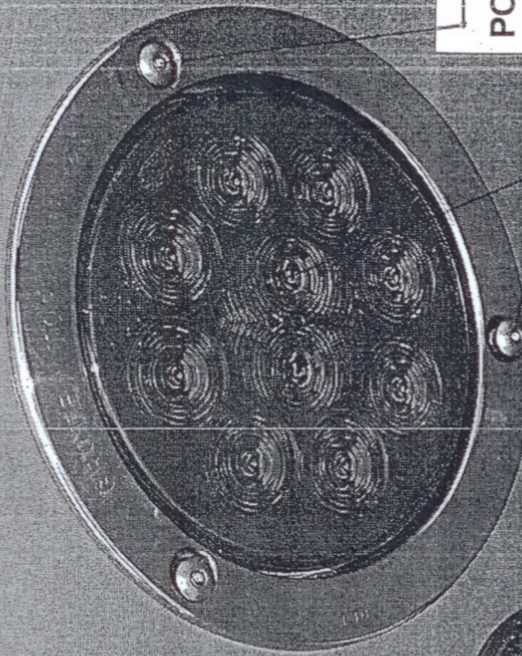
CLAMP ASSEMBLY, ELECTRICAL CABLE - CWF DOLLIE / 2008

— 6000250 (2)
1/4"-20 X 1 1/2" BOLT
GRADE 8

— 6100256 (2)
1/4"-20 KEP NUT

FASTENER ASSEMBLY, REAR HARNESS – CWF DOLLIE / 2008

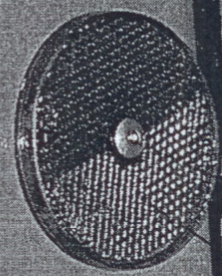




6000126 (8)
POP RIVET SSBS-6S

6300153 (4)
POP RIVET, 6-4.

8000900 (4)
TAIL LIGHT, LED
GROTE 53302



8000901 (2)
REFLECTOR, RED
TRUCK-LITE SS52

6000126 (1)
POP RIVET SSBS-6S

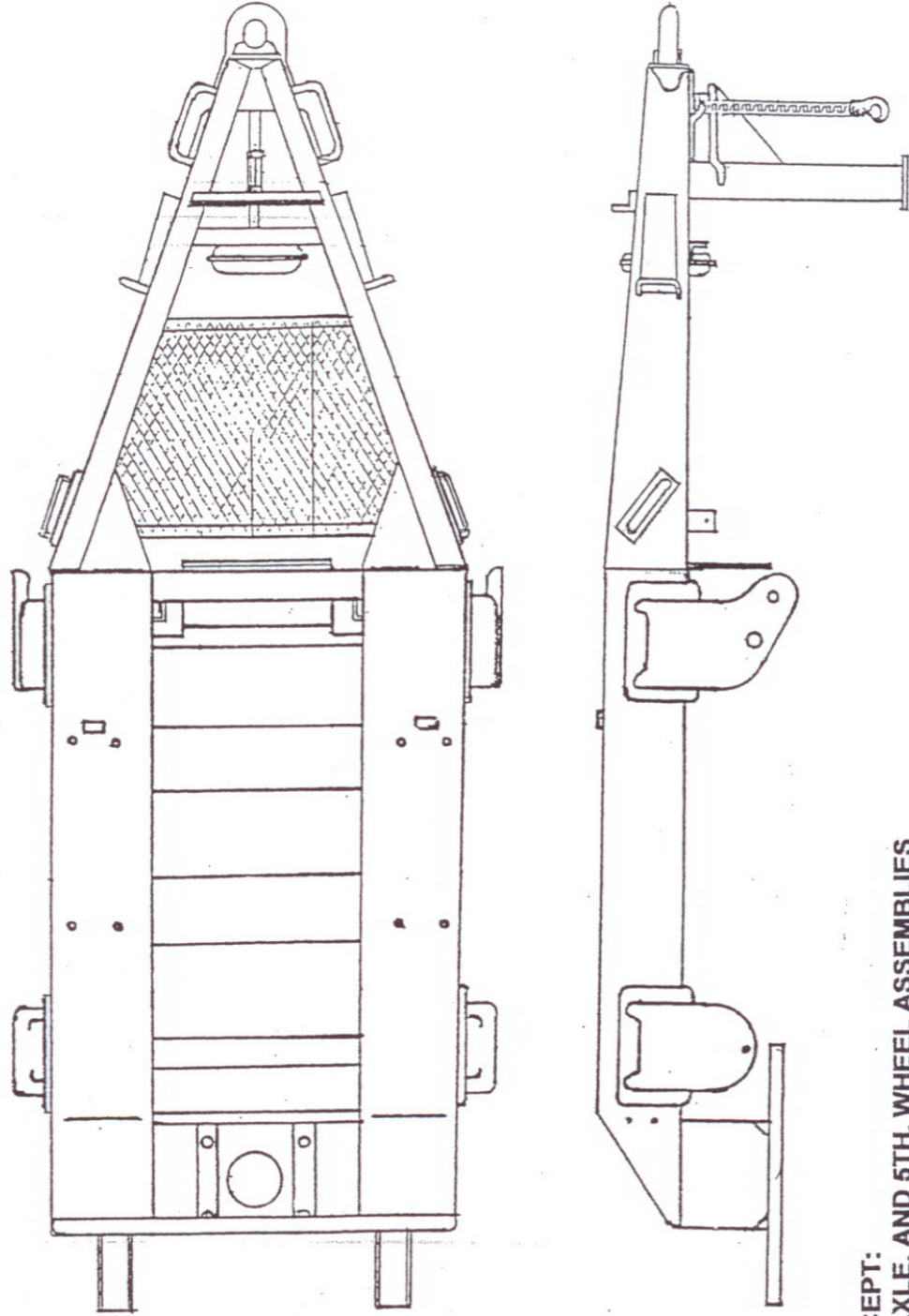
TAIL LIGHT & REFLECTOR ASSEMBLY - CWF DOLLIE / 2008

CWF - DOLLIE

***FRAME
ASSEMBLY***

2008

800M006 = S-CAM BRAKE EQUIPPED UNITS
100PS002 = WEDGE BRAKE EQUIPPED UNITS



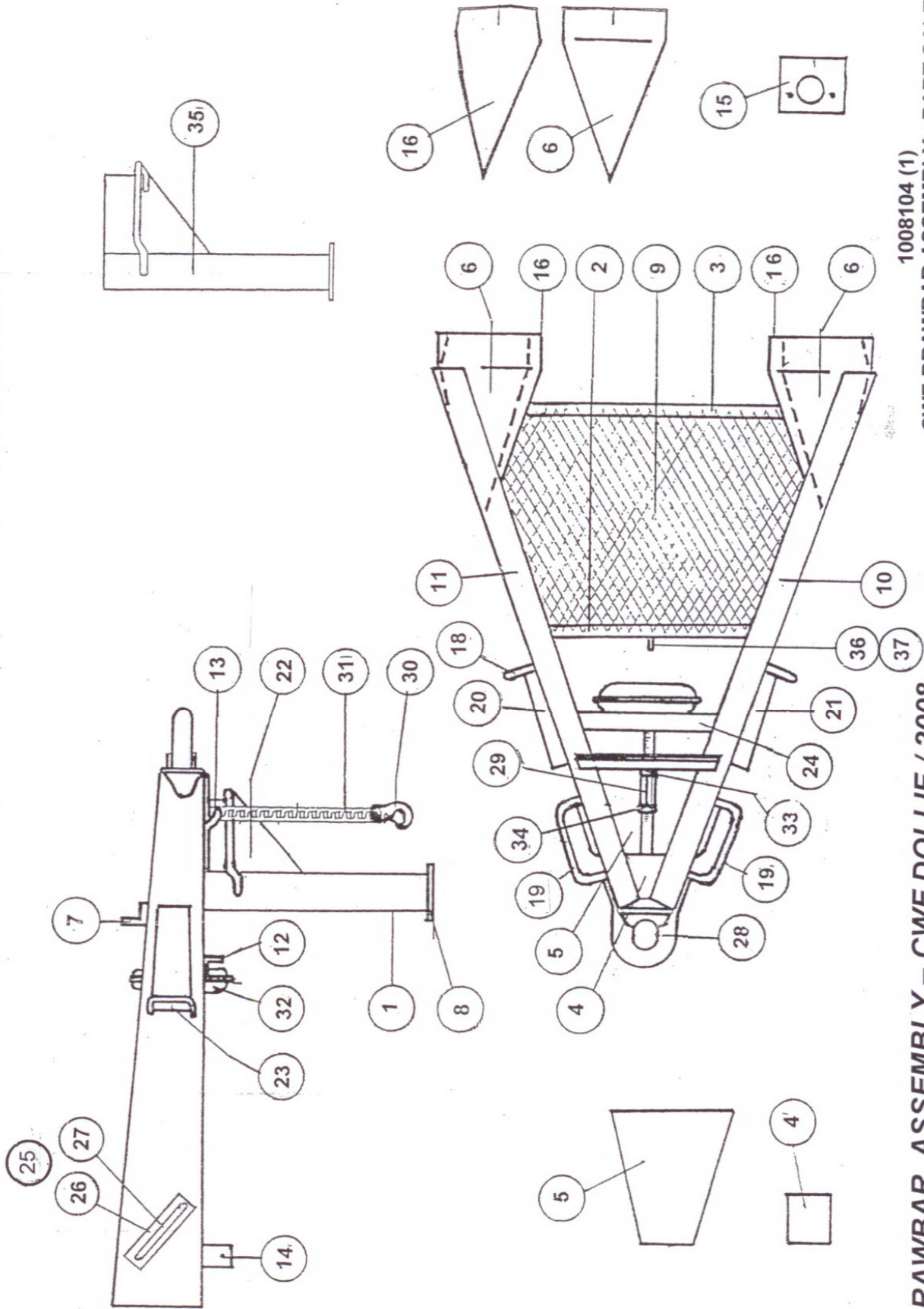
COMPLETE EXCEPT:
SUSPENSION, AXLE, AND 5TH. WHEEL ASSEMBLIES
FRAME ASSEMBLY - CWF DOLLIE / 2008

CWF - DOLLIE

***DRAWBAR
ASSEMBLY***

2008

CONGEAR YOKE ASSEMBLY



1008104 (1)
 CWF DRAWBAR ASSEMBLY - PART SALES

DRAWBAR ASSEMBLY - CWF DOLLIE / 2008

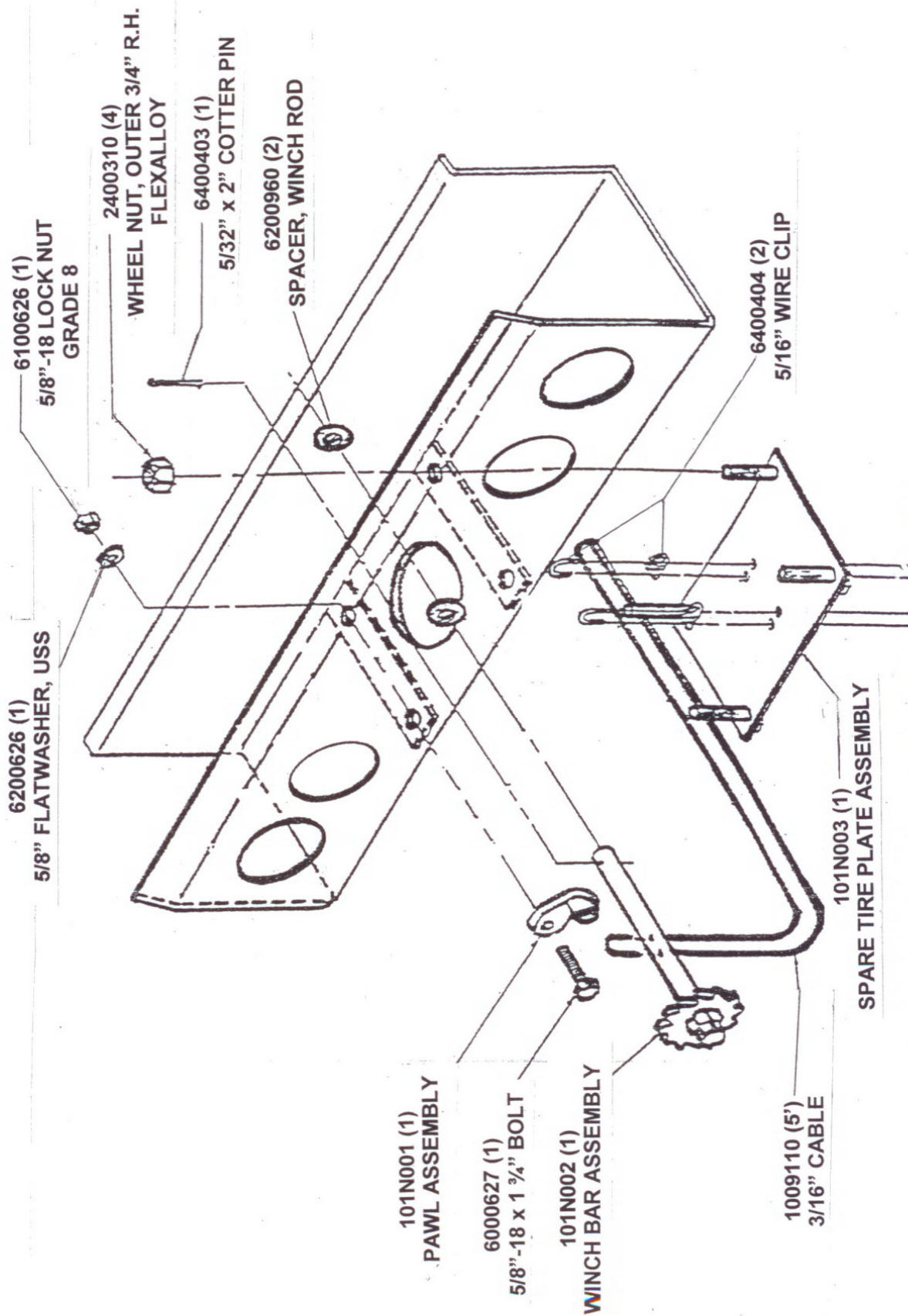
CONGEAR YOKE ASSEMBLY

CTS		CONGEAR YOKE ASSEMBLY					
NO.	QTY.	DESCRIPTION	VENDER NO.	VENDER	SOURCE	RSI NO.	
		ASSEMBLY, CONGEAR YOKE	NA	RSI	RSI	1008104	
1	1	REST, DRAWBAR	NA	SO. FAB	RSI	1004101	
2	1	ANGLE, GRATING - SHORT	NA	SO. FAB	RSI	1004202	
3	1	ANGLE, GRATING - LONG	NA	SO. FAB	RSI	1004203	
4	1	PLATE, DRAWBAR - UPPER	NA	SO. FAB	RSI	1006103	
5	1	PLATE, DRAWBAR - LOWER	NA	SO. FAB	RSI	1006106	
6	2	GUSSET, DRAW BAR - LOWER	NA	SO. FAB	RSI	1006111	
7	1	ANGLE, BUMPER STOP	NA	SO. FAB	RSI	1006120	
8	1	PAD, DRAWBAR REST	NA	SO. FAB	RSI	1006301	
9	1	GRATING, DRAWBAR	NA	SO. FAB	RSI	1006302	
10	1	DRAWBAR, ROADSIDE	NA	SO. FAB	RSI	1007123	
11	1	DRAWBAR, CURBSIDE	NA	SO. FAB	RSI	1007124	
12	1	MOUNT, BULKHEAD AIR FITTING	NA	SO. FAB	RSI	1007201	
13	2	HANGER, SAFETY CHAIN - UNIVERSAL	NA	SO. FAB	RSI	1007220	
14	1	ANGLE, CABLE GUIDE	NA	SO. FAB	RSI	1007212	
15	1	BRACKET, 7-PIN CONNECTOR	NA	SO. FAB	RSI	1007213	
16	2	GUSSET, DRAW BAR - UPPER	NA	SO. FAB	RSI	1007218	
17			NA	SO. FAB	RSI		
18	2	HANDLE, PULL	NA	SO. FAB	RSI	1007230	
19	2	LIFT HANDLE, UNIVERSAL	NA	SO. FAB	RSI	1007243	
20	1	CHANNEL, DRAWBAR REINF. - CURBSIDE	NA	SO. FAB	RSI	1007232	
21	1	CHANNEL, DRAWBAR REINF. - ROADSIDE	NA	SO. FAB	RSI	1007233	
22	1	GUSSET, DRAWBAR REST	NA	SO. FAB	RSI	1007234	
23	2	PLATE, PULL HANDLE ATTACHMENT	NA	SO. FAB	RSI	1007235	
24	1	CHANNEL, DRAWBAR MOD.	NA	SO. FAB	RSI	1007238	
25	2	REAR PULL HANDLE ASSEMBLY	NA	SO. FAB	RSI	100N004	
26	1	PLATE, REAR PULL HANDLE	NA	SO. FAB	RSI	1007240	
27	1	PULL HANDLE, REAR	NA	SO. FAB	RSI	1007241	
28	1	EYE, DRAWBAR	123-12	PREMIER	VANTAGE	1009101	
29	1	NUT, COUPLER	47	PREMIER	VANTAGE	1009102	
30	2	HOOK, SAFETY CHAIN - 3/16" x 3 1/4" ID	GKN512392	GUNNEBO	VANTAGE	1009108	
31	2	CHAIN, HI-TEST 14 LINKS	NA	BC IND.	RSI	1009111	

CWF - DOLLIE

***TIRE CARRIER &
WINCH
ASSEMBLIES***

2008



TIRE CARRIER & WINCH ASSEMBLY – CWF DOLLIE / 2008

6100126 (1)
1/2"-13 LOCK NUT



6200503 (2)
1/2" FLATWASHER



1004100 (2)
SPACER TUBE



6000162 (2)
1/2"-13 x 2 1/4" BOLT



1007105 (2)
CHANNEL, SPARE TIRE



100N000 (1)
REMOVABLE SPARE TIRE CHANNEL ASSEMBLY

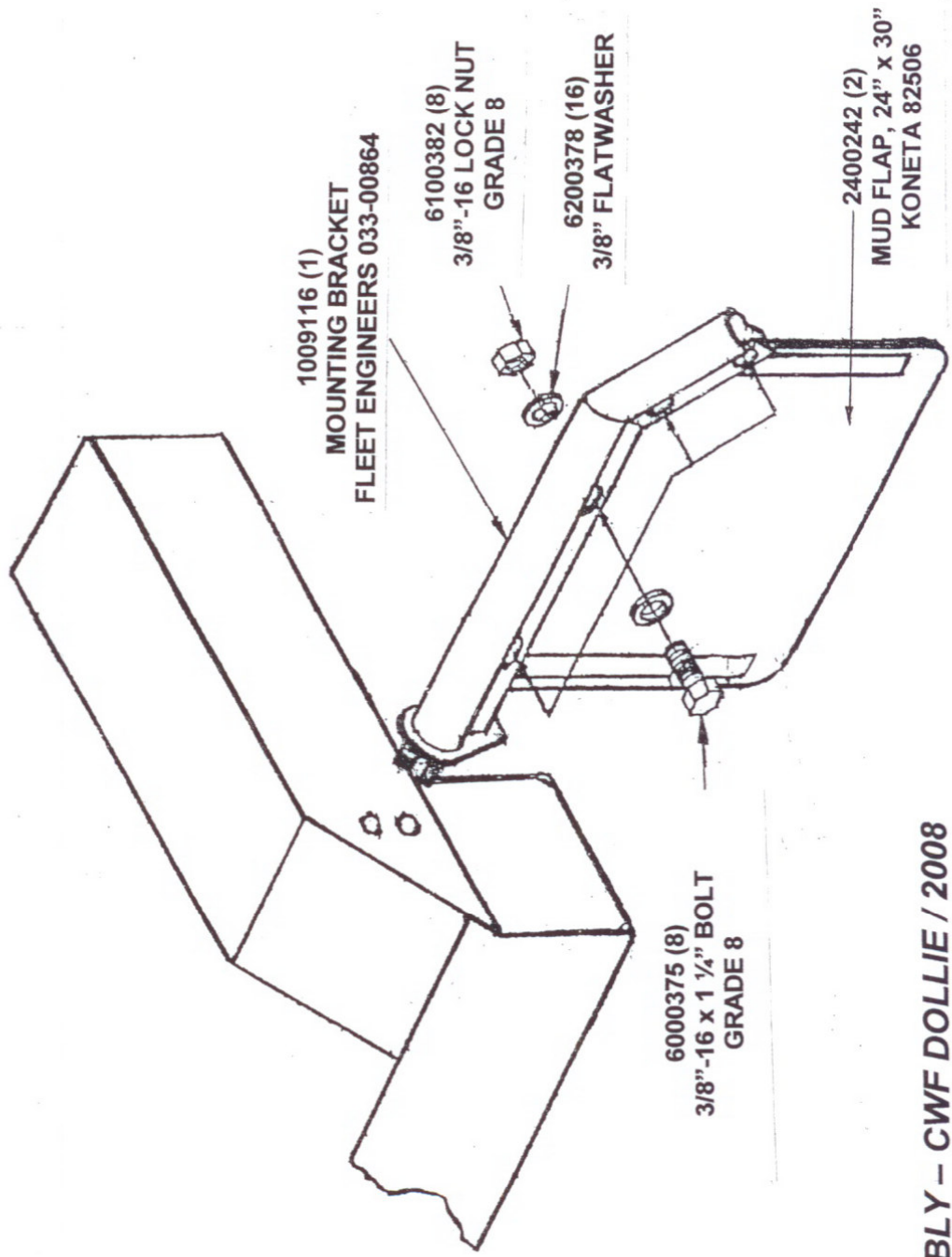
SPARE TIRE CARRIER CHANNEL ASSEMBLY – CWF DOLLIE / 2008

CWF - DOLLIE

***MUD FLAP
ASSEMBLY***

2008

CONGEAR MUD FLAP ASSEMBLY



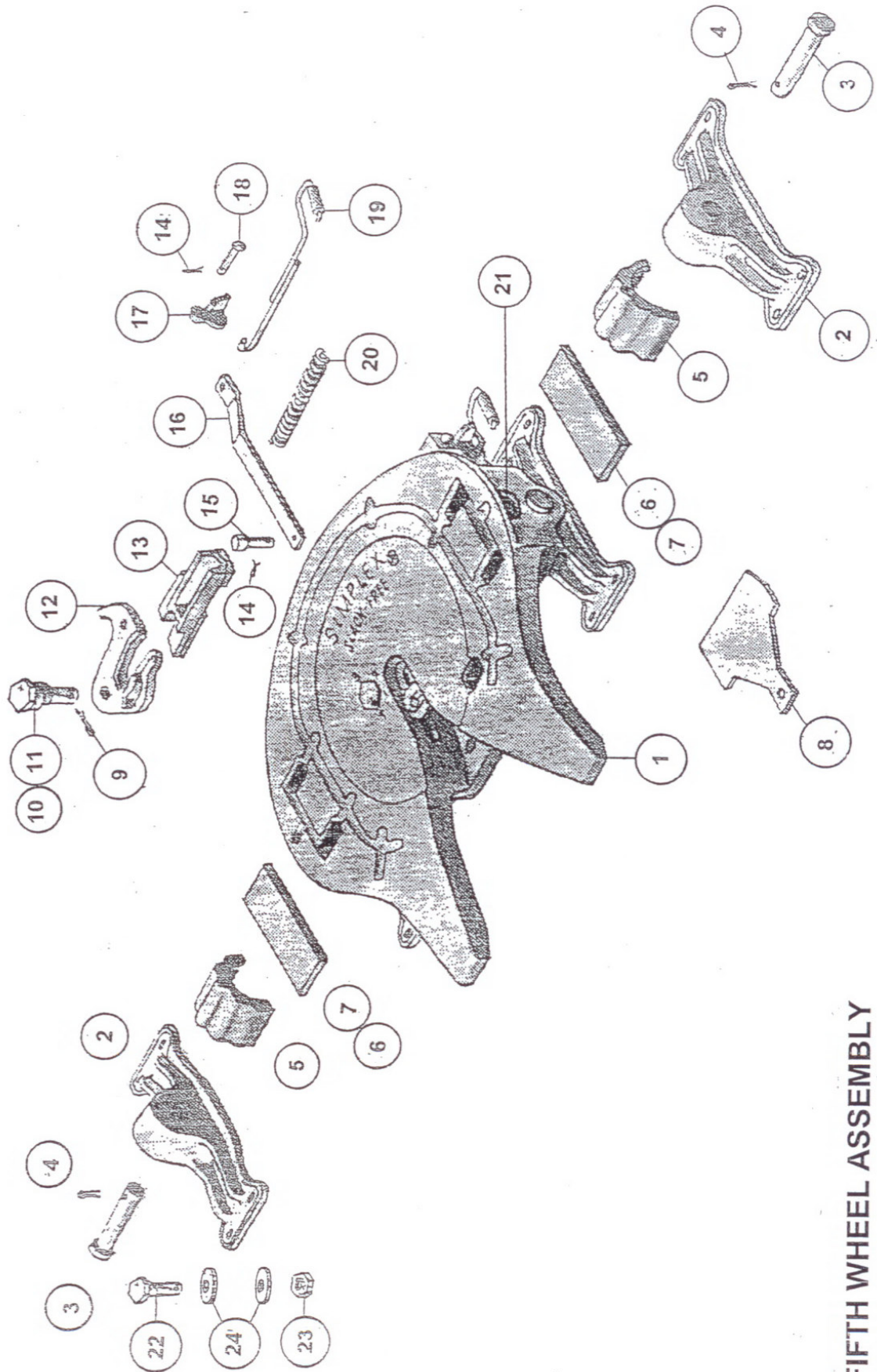
MUD FLAP ASSEMBLY - CWF DOLLIE / 2008

CWF - DOLLIE

***5TH. WHEEL
ASSEMBLY***

2008

CONGEAR 5TH. WHEEL ASSEMBLY



FIFTH WHEEL ASSEMBLY

CONGEAR 5TH. WHEEL ASSEMBLY

CTS

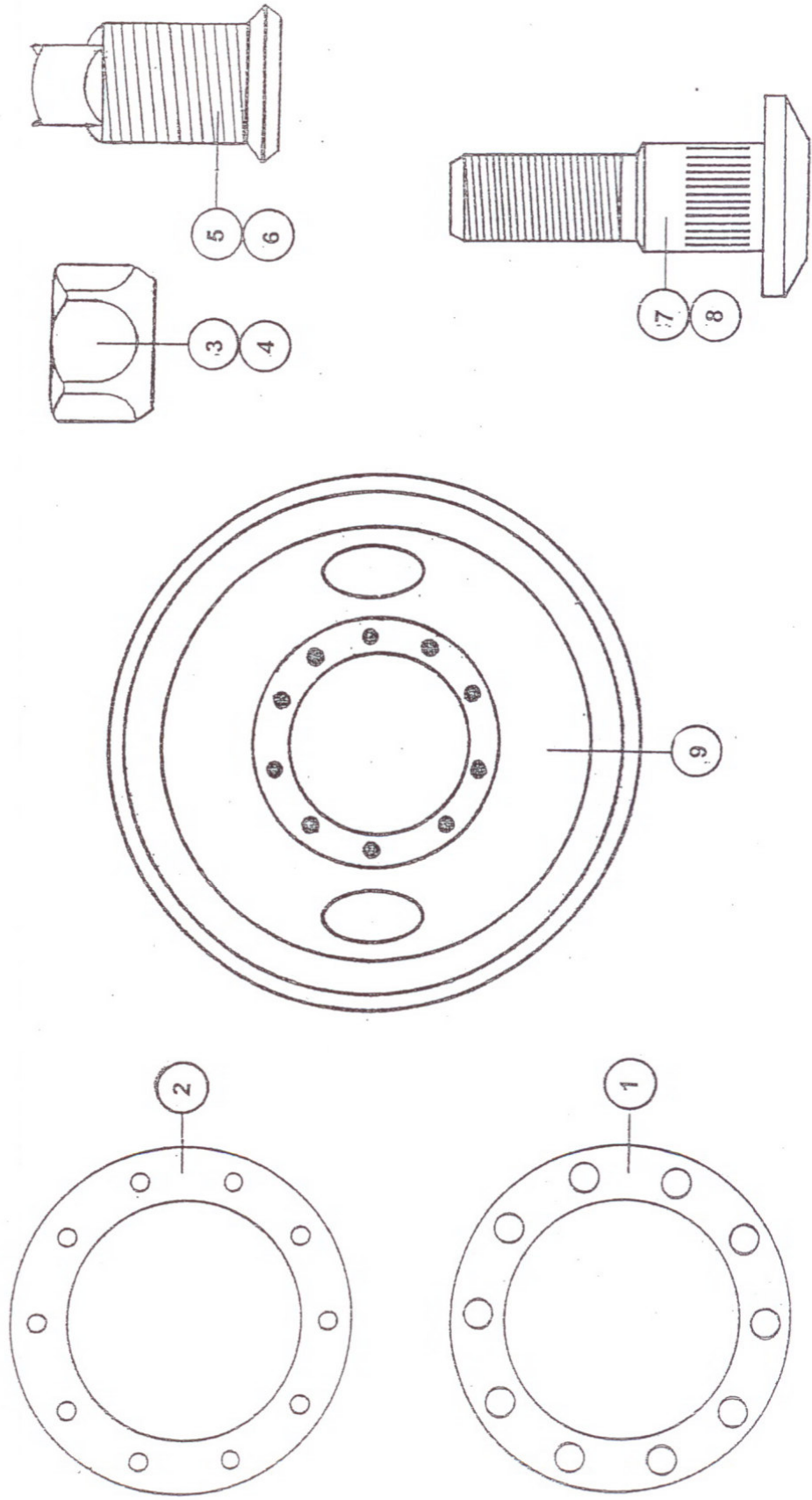
NO.	QTY.	DESCRIPTION	VENDER NO.	VENDER	SOURCE	RSI NO.
		ASSEMBLY, 5TH. WHEEL				
1	1	WHEEL, W/O BRACKETS	40-1-4019	SIMPLEX	ASF	1009103
2	2	BRACKET, MOUNTING - 5TH. WHEEL	41-4-01414	SIMPLEX	ASF	NA
3	2	PIN, BRACKET	40-4-00019	SIMPLEX	ASF	NA
4	2	COTTER PIN, 1/2 x 2 1/2" (PACK OF 12)	54-1-00705	SIMPLEX	ASF	NA
5	2	BRACKET, SHOE	84030	SIMPLEX	IMPERIAL	NA
6	2	RUBBER, STANDARD SIZE	1-3-09811	SIMPLEX	ASF	NA
7	2	RUBBER, OVERSIZE	41-1-00707	SIMPLEX	ASF	NA
8	1	PLATE, COVER	41-1-00746	SIMPLEX	ASF	NA
9	1	COTTER PIN, 1/4 x 2" (PACK OF 12)	41-1-00767	SIMPLEX	ASF	NA
10	1	PIN, ECCENTRIC - JAW - STANDARD	84232	SIMPLEX	IMPERIAL	NA
11	1	PIN, ECCENTRIC - JAW - OVERSIZE	41-3-09916	SIMPLEX	ASF	NA
12	1	JAW, RIGHT HAND WHEEL	41-3-09977	SIMPLEX	ASF	NA
13	1	LOCK, RIGHT HAND WHEEL	41-4-09920	SIMPLEX	ASF	NA
14	2	COTTER PIN, 1/4 x 1 1/4" (PACK OF 12)	41-4-09808	SIMPLEX	ASF	NA
15	1	PIN, LEVER BAR (PACK OF 6)	84261	SIMPLEX	IMPERIAL	NA
16	1	BAR, LEVER	54-1-00766	SIMPLEX	ASF	NA
17	1	LATCH, SAFETY - RIGHT HAND WHEEL	41-3-00712	SIMPLEX	ASF	NA
18	1	PIN, LATCH (PACK OF 6)	41-1-09812	SIMPLEX	ASF	NA
19	1	ROD, OPERATING - RIGHT HAND WHEEL	54-1-00711	SIMPLEX	ASF	NA
20	1	SPRING, LOCK	41-1-00710	SIMPLEX	ASF	NA
21	2	GREASE FITTING	12-1-00706	SIMPLEX	ASF	NA
			5031	LINCOLN	VANYAGE	NA
		FASTENERS, 5TH. WHEEL				
22	8	BOLT, 5/8-11 x 2" GRADE 8	NA	AR. BOLT	IMPERIAL	6000629
23	8	LOCKNUT, 5/8"-11 STOVER GRADE 8	NA	AR. BOLT	IMPERIAL	6100628
24	16	WASHER, FLAT - 5/8" HARDENED	NA	AR. BOLT	IMPERIAL	6200629

CWF - DOLLIE

***WHEEL, NUTS,
GUARDS***

2008

CONGEAR - WHEEL / NUTS / GUARDS



WHEEL, NUTS, AND GUARDS

