

**CTL53-08  
COMPOSITE  
TRAILER**

**CTL53-08**

**53' TRAILER**

**AIR BRAKE  
ASSEMBLY**

**2008**

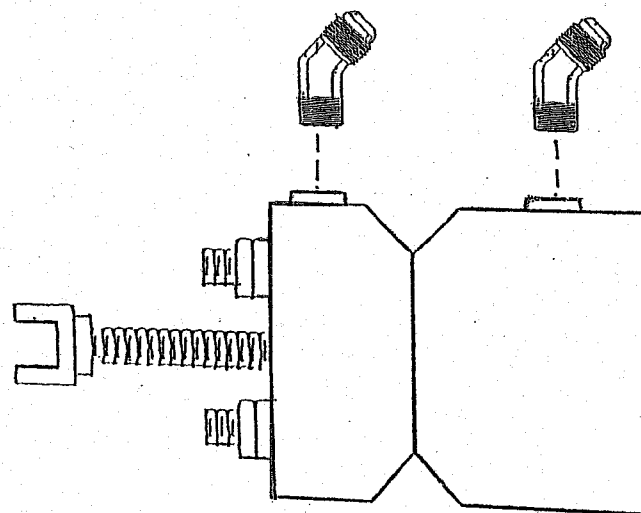
**MERITOR / SEALCO**

**700M062**

# AIR BRAKE CHAMBER CONNECTOR ASSEMBLY

SERVICE

EMERGENCY



## AIR BRAKE HOSE COMPONENTS PARKER – RUBBER HOSE

7000212  
SWIVEL, FEMALE  
PARKER 10825-6-6B  
5/8"-18 x 3/8" T



7000214  
ADAPTOR, MALE  
PARKER 017M-6-8B  
3/8"-18 x 3/4"-20



7000213  
JOUNCE, FEMALE  
PARKER 17B25-8-6B  
3/4"-20 x 3/8" T

7000210  
RUBBER BRAKE HOSE  
PARKER 271-6-RL-3/8"

7000215  
MALE RIGID END  
PARKER 10125-6-6B-VS  
3/8" T x 3/8" H

# CTL53' - 07 & 08 TRAILER – 2008

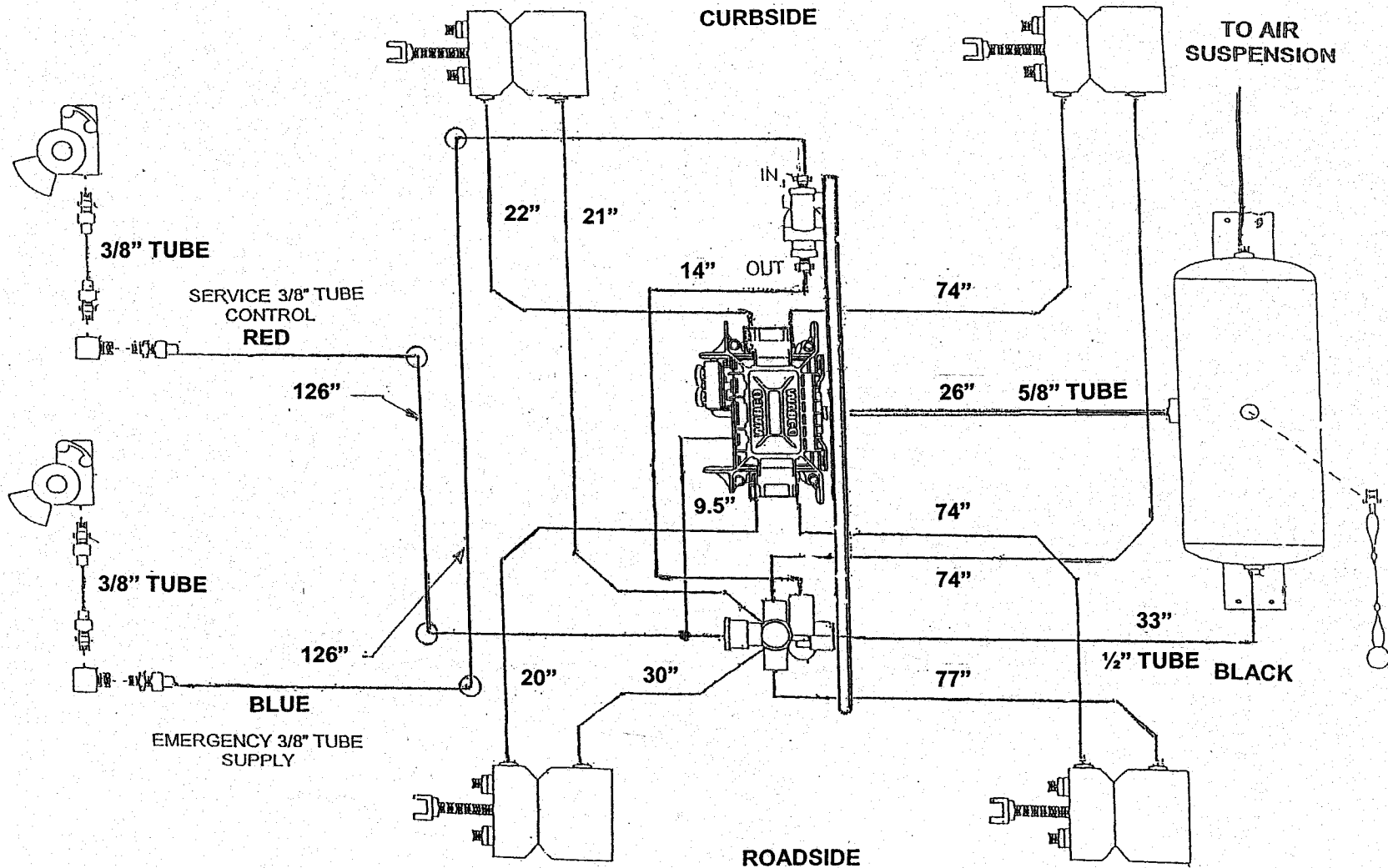
06-16-08

700M062

## AIR BRAKE HOSE LIST – RUBBER / NYLON

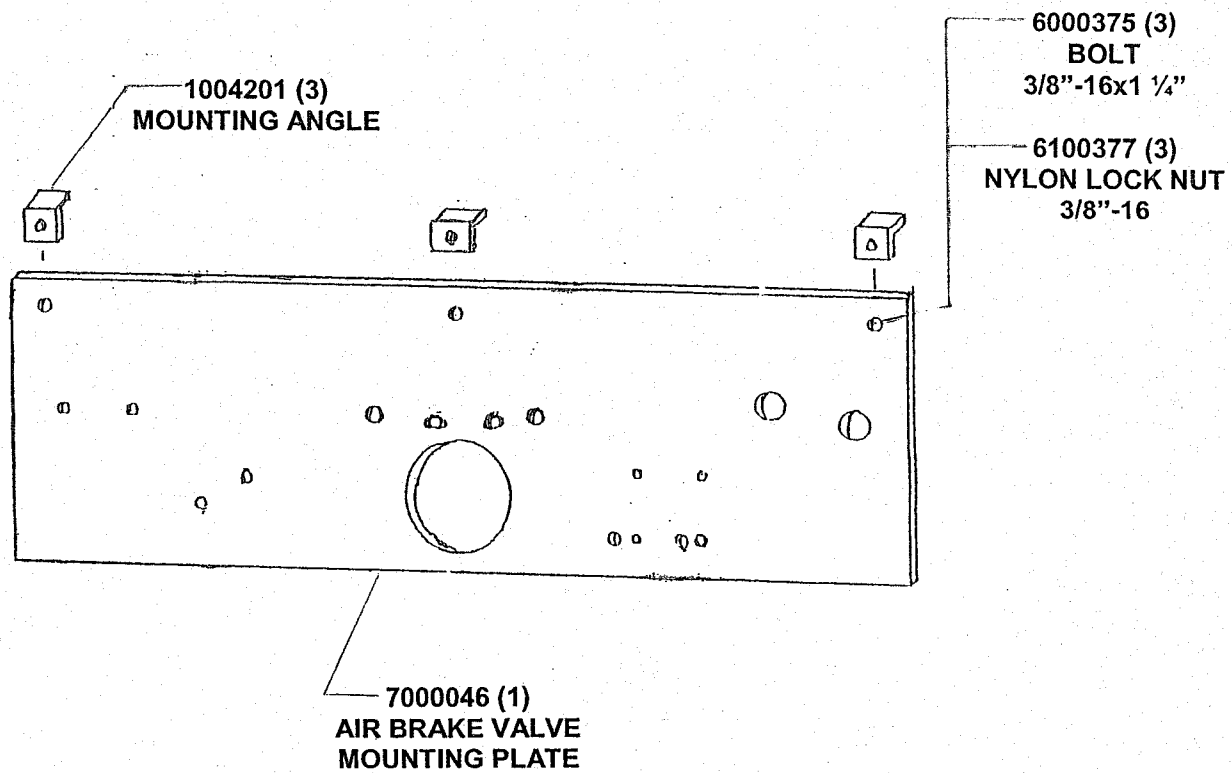
<u>RSI #</u>	<u>QTY</u>	<u>SIZE</u>	<u>TUBE / HOSE</u>	
7000211	26"	5/8"	BLACK	ABS VALVE TO AIR TANK
7000966	34'- 0"	3/8"	RED	GLADHAND AND BRAKE VALVE CONTROLS
7000968	33"	1/2"	BLACK	SPRING BRAKE VALVE TO AIR TANK
7000971	33'- 6"	3/8"	BLUE	GLADHAND AND BRAKE VALVE CONTROLS
7100129	1	20"	ABS VALVE	TO ROADSIDE FRONT AIR CHAMBER
7100132	1	21"	SPRING BRAKE VALVE	TO CURBSIDE FRONT AIR CHAMBER
7100106	1	22"	ABS VALVE	TO CURBSIDE FRONT AIR CHAMBER
7100126	1	30"	SPRING BRAKE VALVE	TO ROADSIDE FRONT AIR CHAMBER
7100130	2	74"	ABS VALVE	TO CURBSIDE & ROADSIDE REAR AIR CHAMBER – ONE EACH
	1	74"	SPRING BRAKE VALVE	TO CURBSIDE REAR AIR CHAMBER
7100134	1	77"	SPRING BRAKE VALVE	TO ROADSIDE REAR AIR CHAMBER
7100131	2	126"	SLIDER HOSE	HOSE HANGER TO SUSPENSION UNIT

# AIR BRAKE HOSE ROUTING



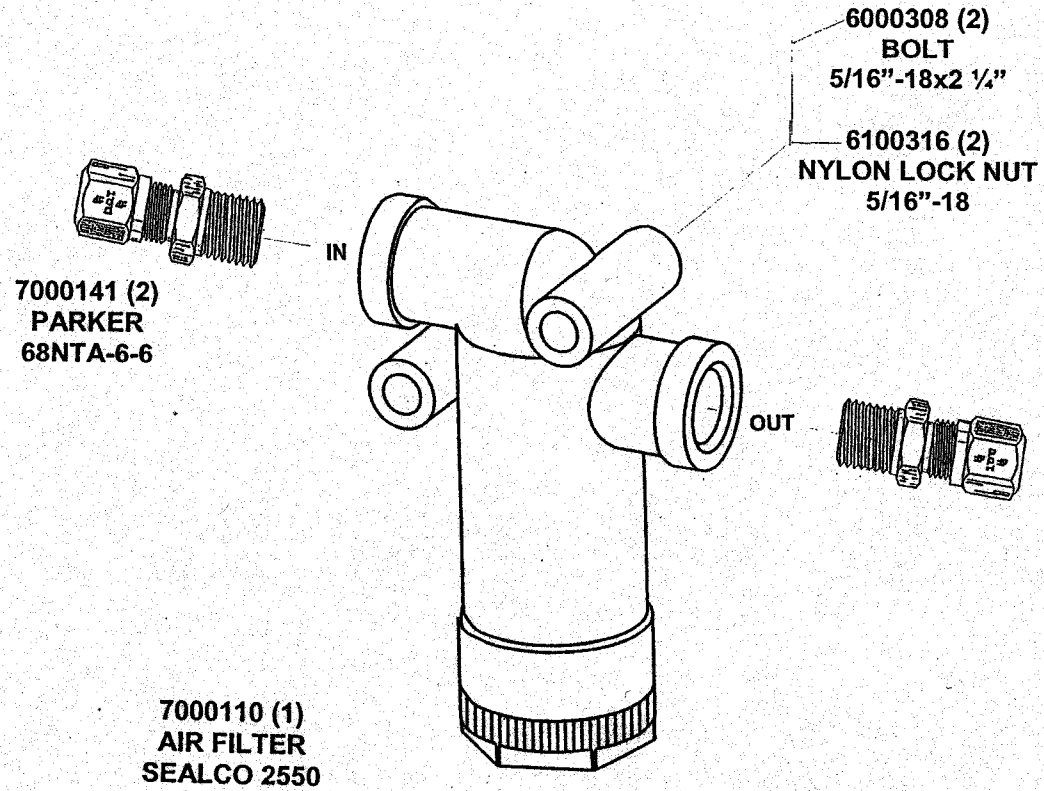
700N240

# AIR BRAKE VALVE MOUNTING PLATE ASSEMBLY



700N068

# AIR FILTER ASSEMBLY

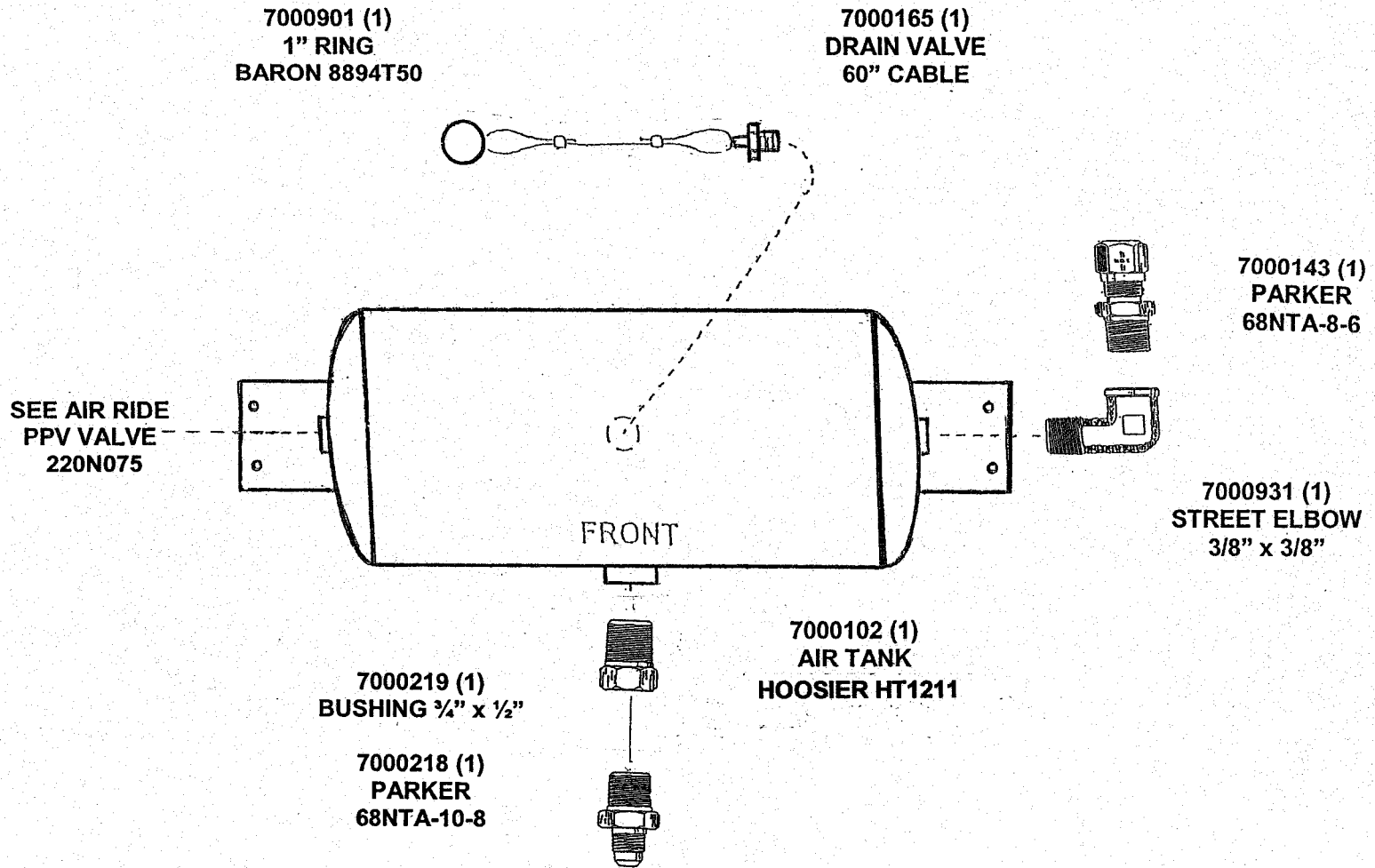


700N112



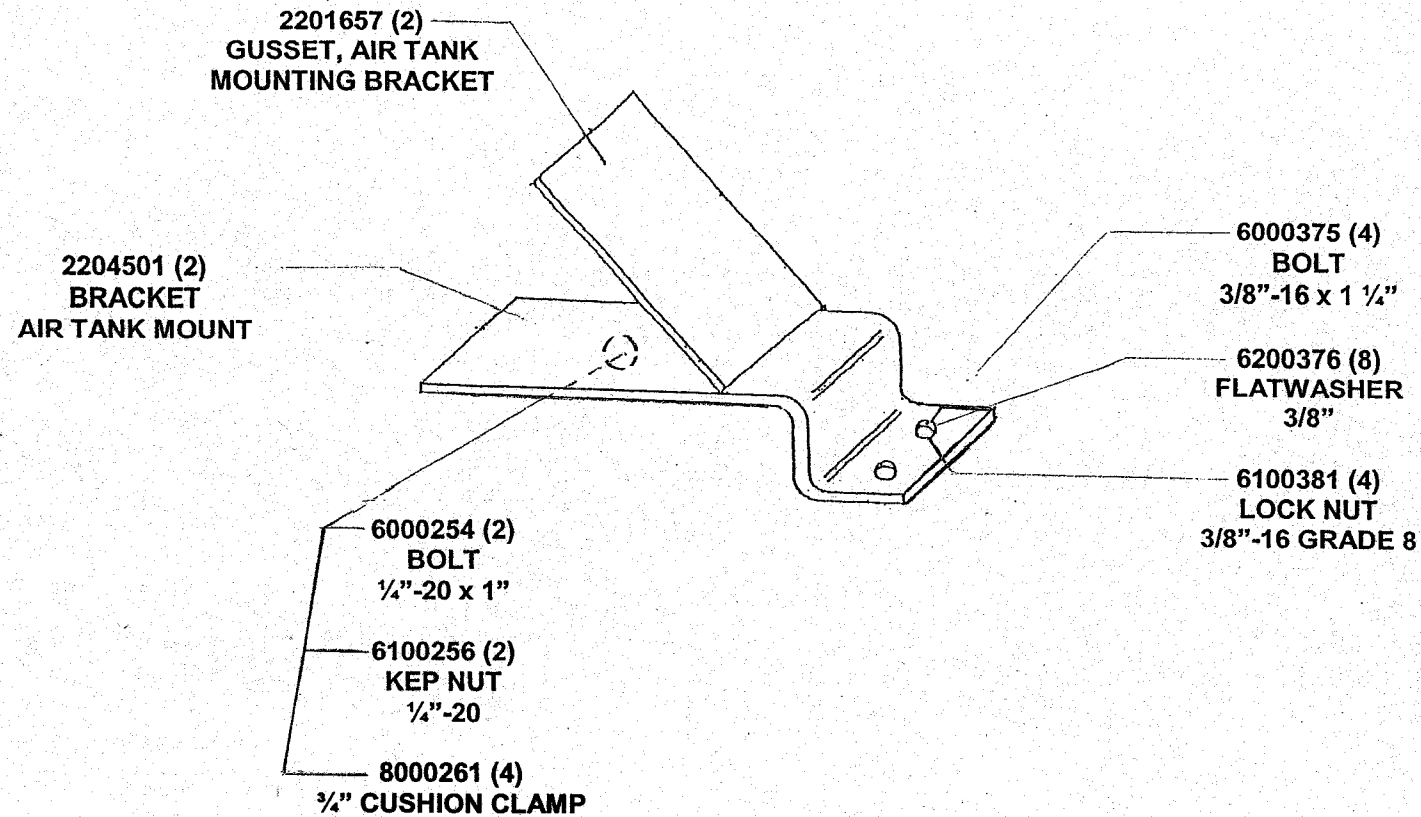
# AIR TANK ASSEMBLY

## DRAIN VALVE ASSEMBLY 700N016



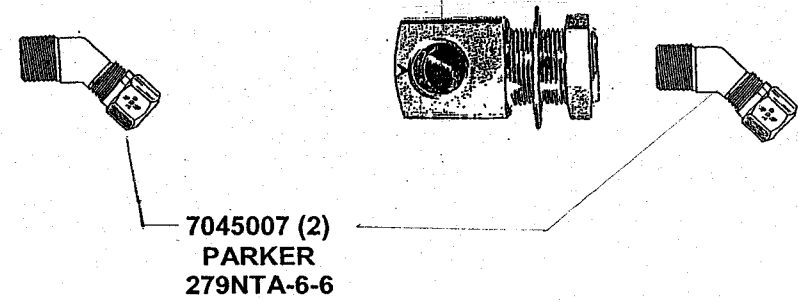
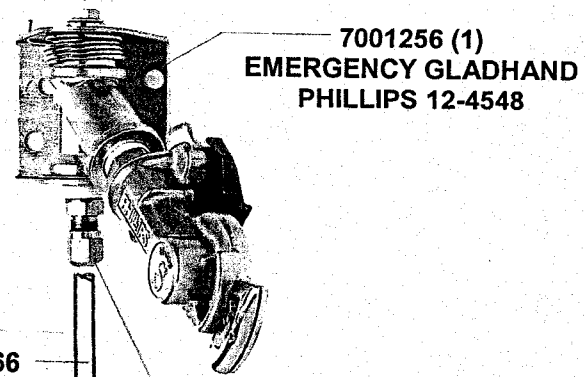
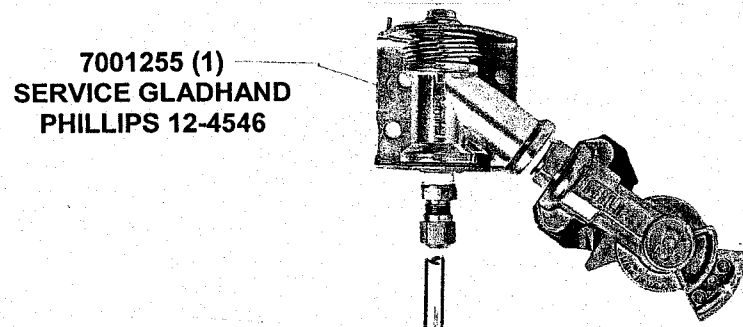
700N143

# AIR TANK MOUNTING BRACKET ASSEMBLY

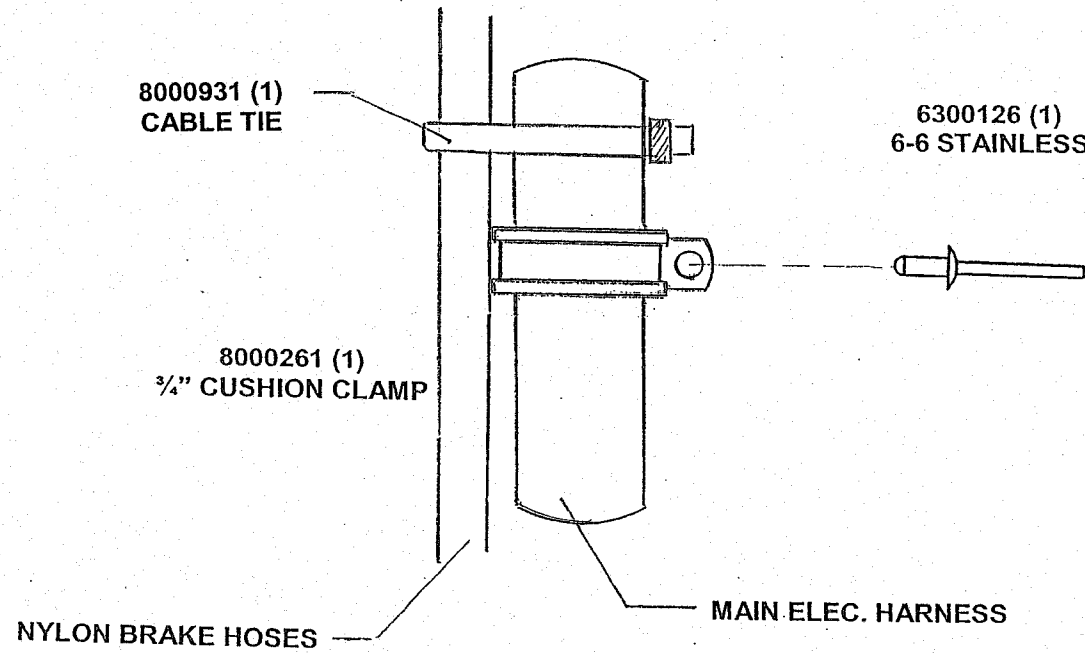


210N764

# GLADHAND ASSEMBLY



# MAIN HARNESS CLAMP ASSEMBLY



700N109

# MERITOR / WABCO ABS VALVE ASSEMBLY

7001229 (1)  
MERITOR / WABCO  
ABS MODULE  
S 400 500 1010

6000375 (2)  
3/8"-16 x 1 1/4" BOLT

6100377 (2)  
3/8"-16 LOCK NUT

6200378 (2)  
3/8" FLAT WASHER

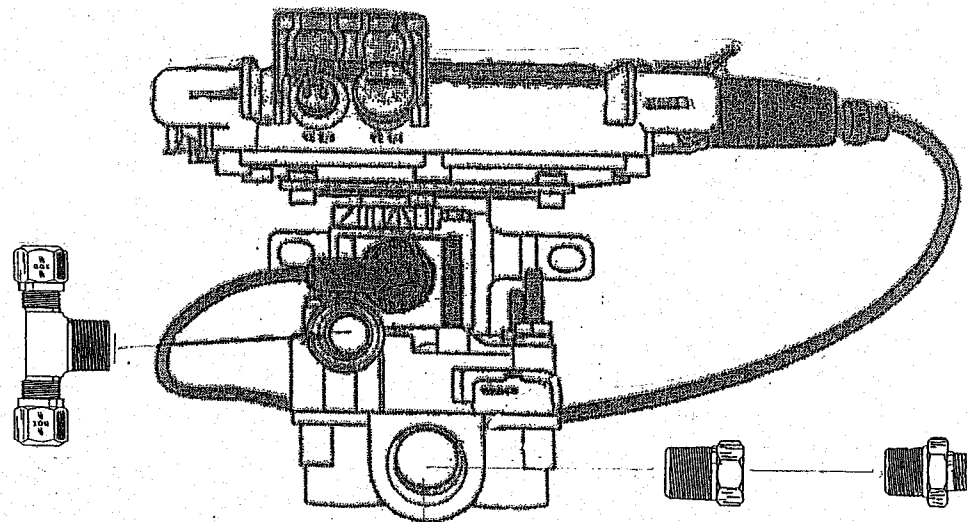
7045014 (1)  
PARKER  
272NTA-6-6

7001218 (2)  
ABS SENSOR  
MERITOR 441-032-8080

7001223 (2)  
ABS SENSOR JUMPER  
MERITOR 449-713-0180-72"

7001224 (2)  
ABS SENSOR CLIP  
MERITOR 899-759-8154

7001230 (1)  
ABS POWER HARNESS 20'  
MERITOR 449-326-060-0



7000219 (1)  
BUSHING 3/4" x 1/2"

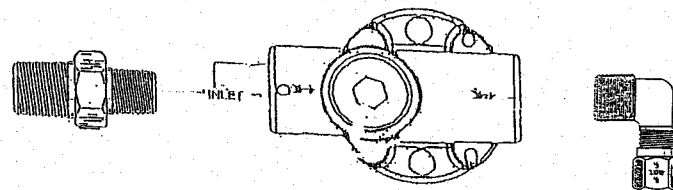
7000218 (1)  
PARKER  
68NTA-10-8

7000856 (1)  
3/4" PIPE PLUG

700N221

# PRESSURE PROTECTION VALVE ASSEMBLY

TO AIR TANK



7000145 (1)  
PARKER  
269NTA-6-4

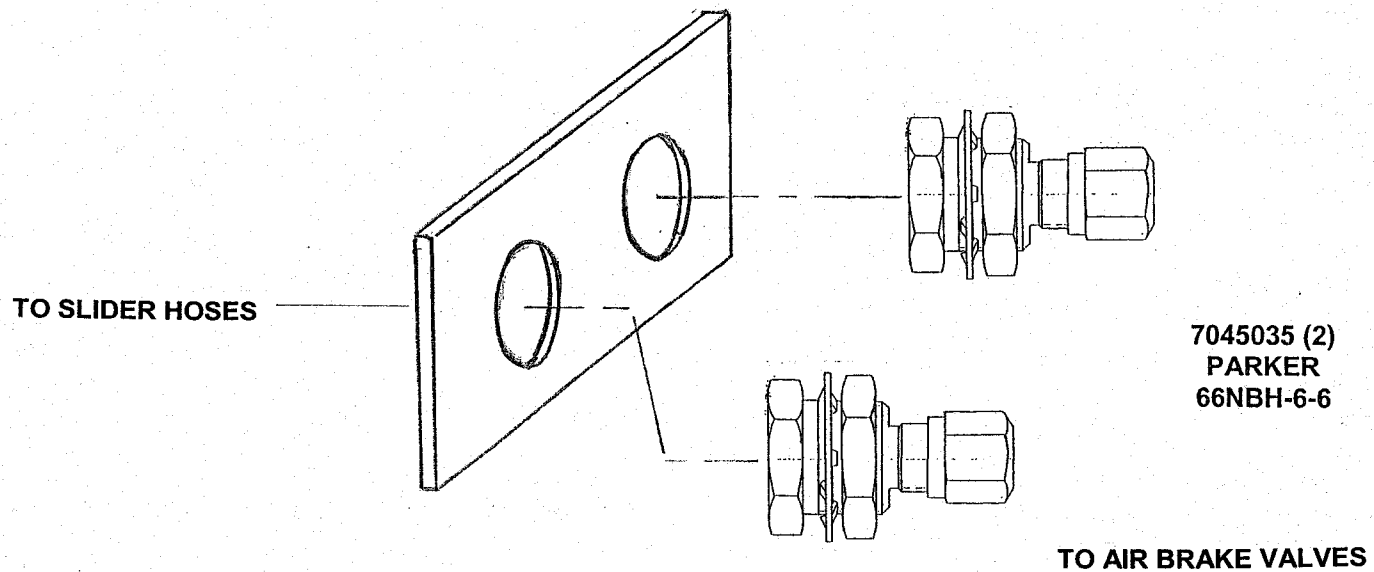
7000198 (1)  
PARKER  
316P-6-4

PPV VALVE  
IS PART OF KIT

PPV VALVE IS PART  
OF SUSPENSION ASSEMBLY

220N075

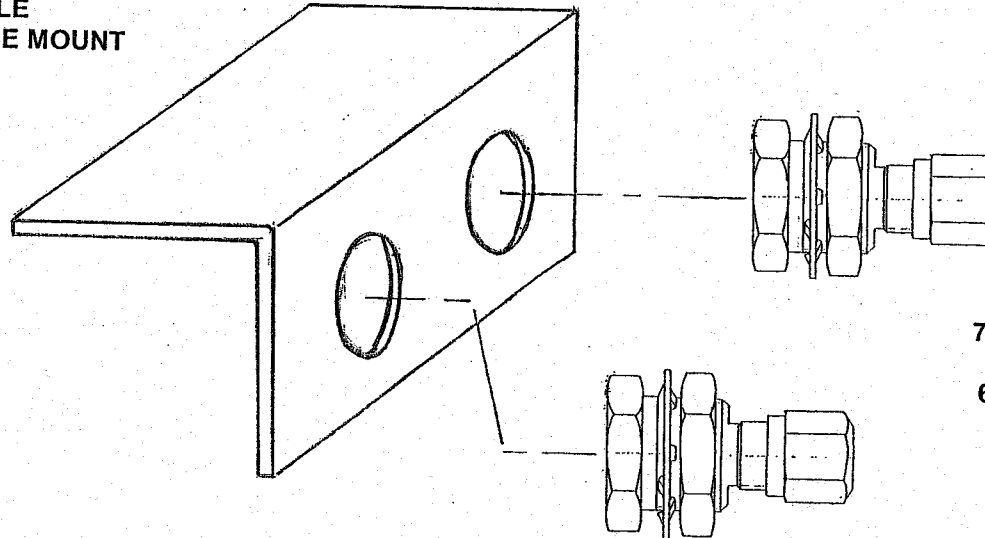
# SLIDER / BOGIE HOSE HANGER ASSEMBLY



INSTALLED IN SUSPENSION BOX FRONT CROSSMEMBER

# SLIDER HOSE HANGER ASSEMBLY

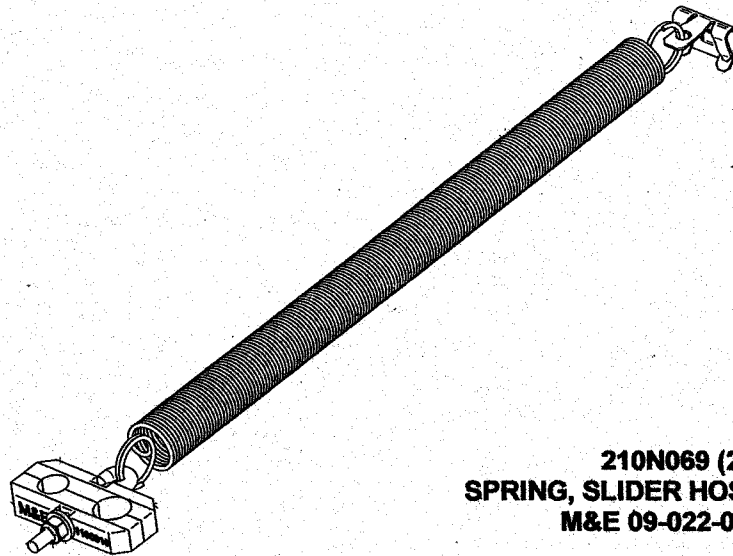
2104521 (1)  
ANGLE  
SLIDER HOSE MOUNT



7045035 (2)  
PARKER  
66NBH-6-6



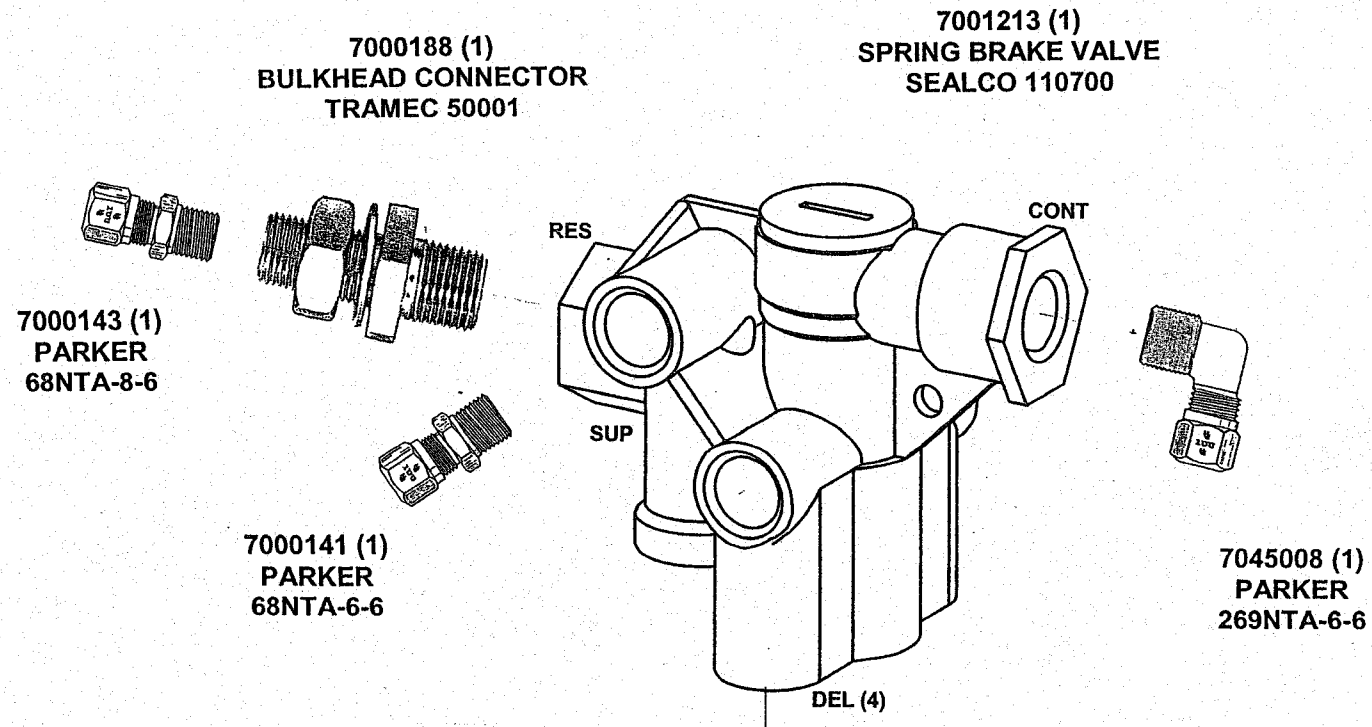
**CTL53-07 & 08**



**210N069 (2)  
SPRING, SLIDER HOSE HANGER  
M&E 09-022-028-A**

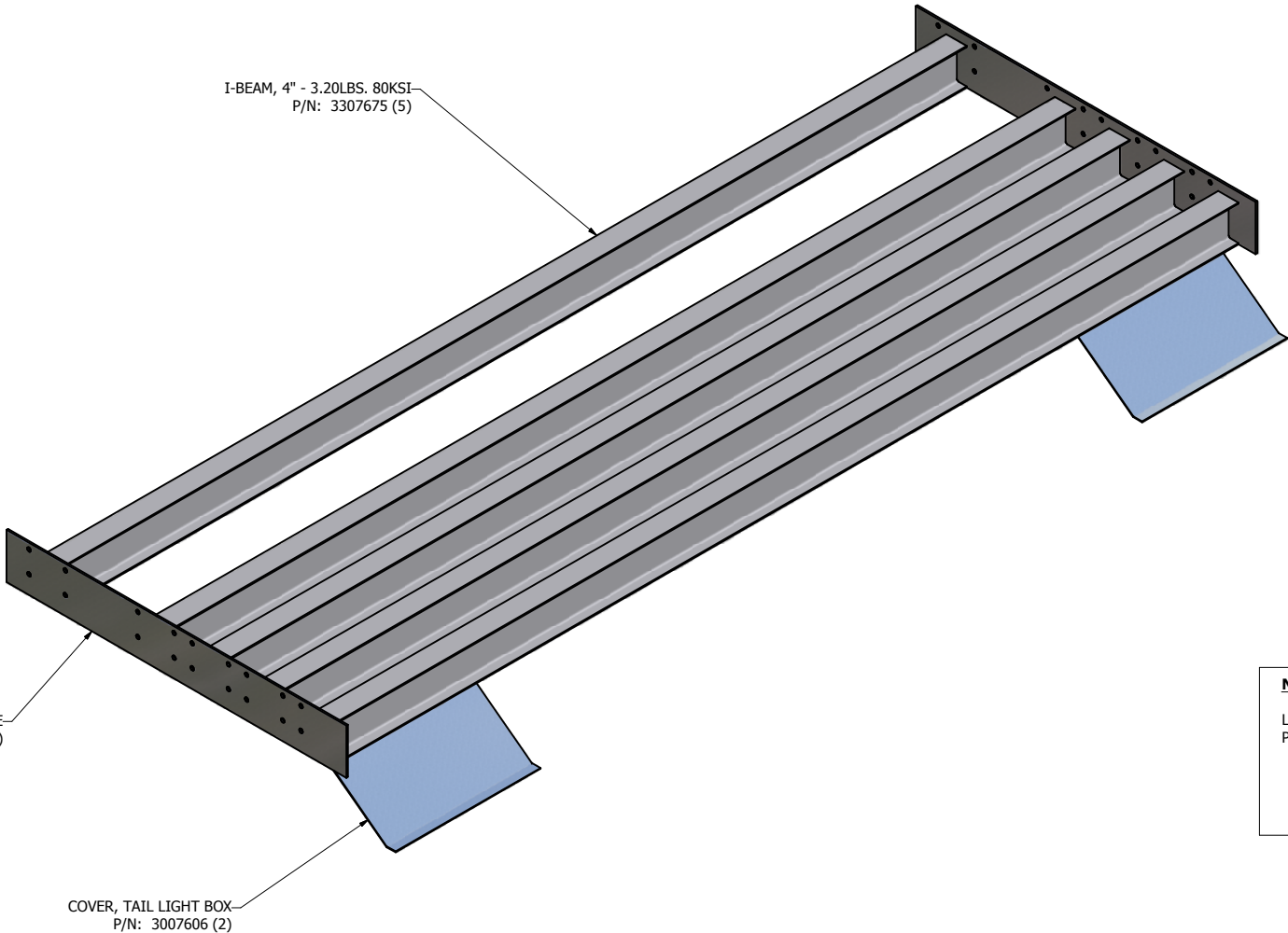
**SPRING ASSEMBLY, SLIDER HOSE**

# SPRING BRAKE VALVE ASSEMBLY



**BOGIE SUB-FRAME ASSEMBLY (330M012)**

**CTL53-08**



I-BEAM, 4" - 3.20LBS. 80KSI  
P/N: 3307675 (5)

PLATE, BOGIE SUB - SIDE  
P/N: 2100044 (2)

COVER, TAIL LIGHT BOX  
P/N: 3007606 (2)

**NOT SHOWN:**  
LICENSE PLATE FASTENER ASSY  
P/N: 750N094 (1)  
RIVET, SSDSS-84  
P/N: 6300128 (4)

# BUMPER ASSEMBLY (210N107)

CTL53-08

## FASTENERS:

BOLT, 1/2-20 X 1-1/2 HX HD  
P/N: 6000501 (4)

BOLT, 3/4-16 X 2" GRADE 5  
P/N: 6000750 (6)

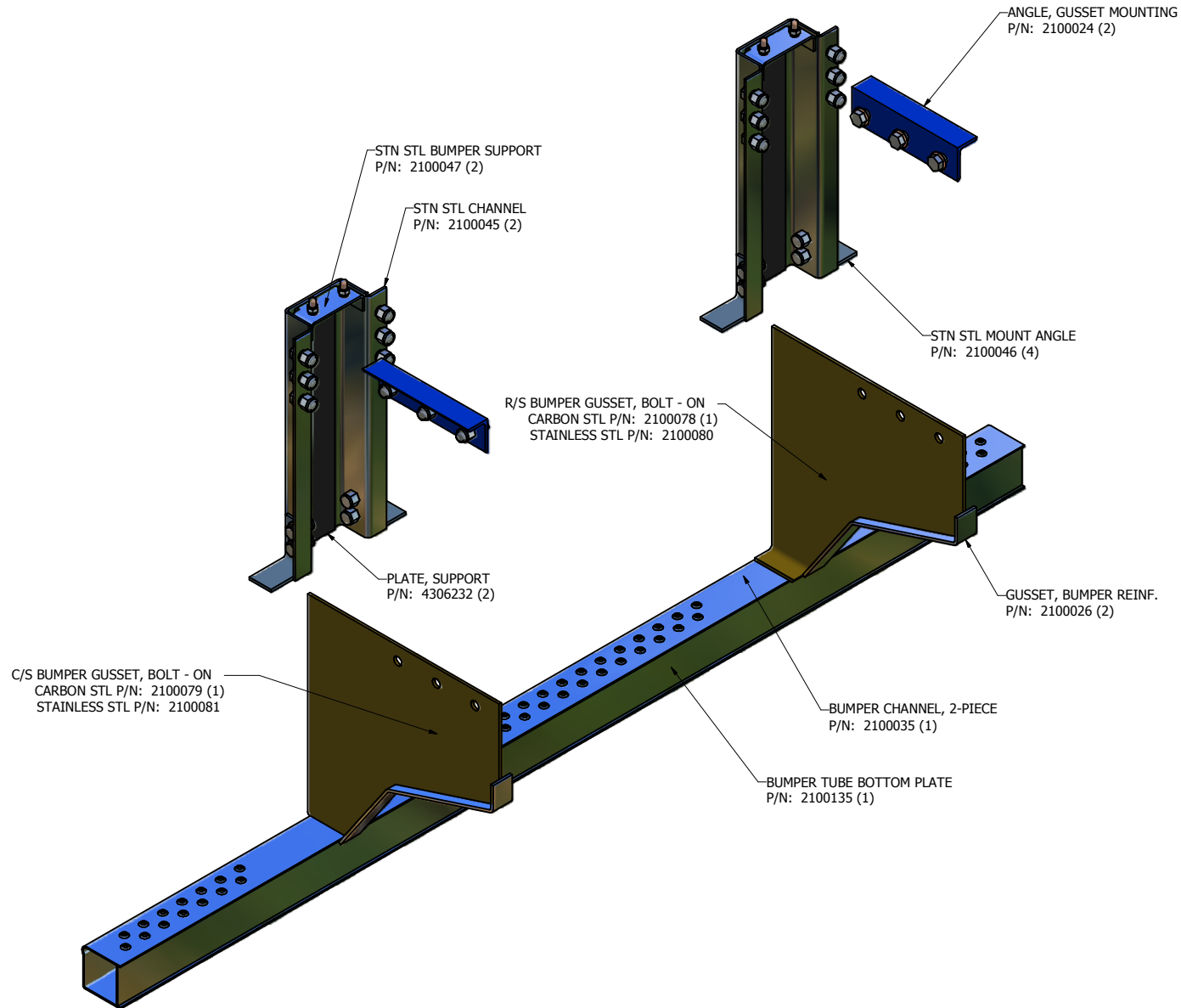
BOLT, 3/4"-16 X 1-1/2" GRD 5  
P/N: 6000751 (20)

NUT, LOCK HX 1/2-20 GRD 5  
P/N: 6100501 (4)

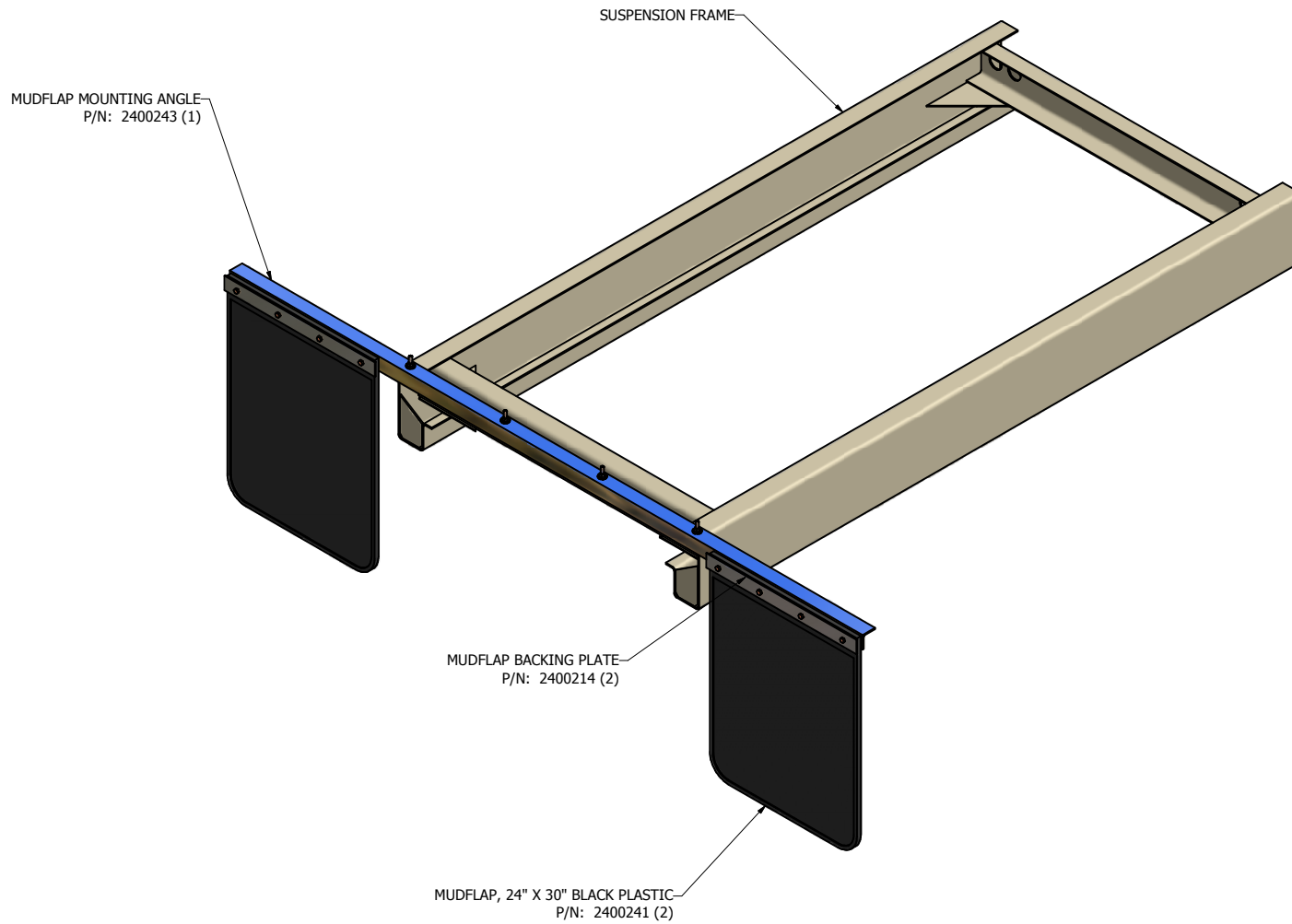
NUT, 3/4"-16-GRD 5  
P/N: 6100751 (26)

WASHER, STEEL USS FLAT 1/2  
P/N: 6200503 (4)

WASHER, 3/4 ALLOY  
P/N: 6200751 (26)



**MUDFLAP DETAILS (240N219)**  
**CTL53-08**



**FASTENERS:**

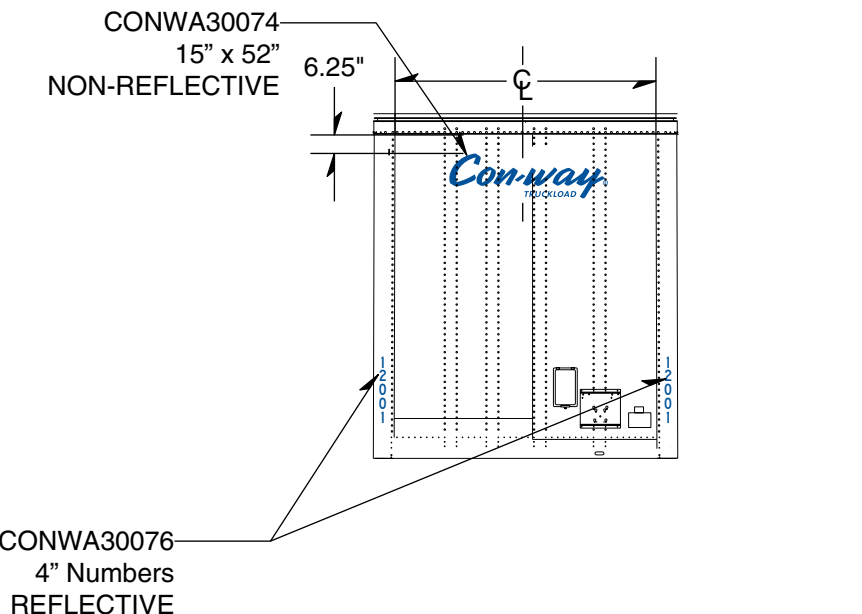
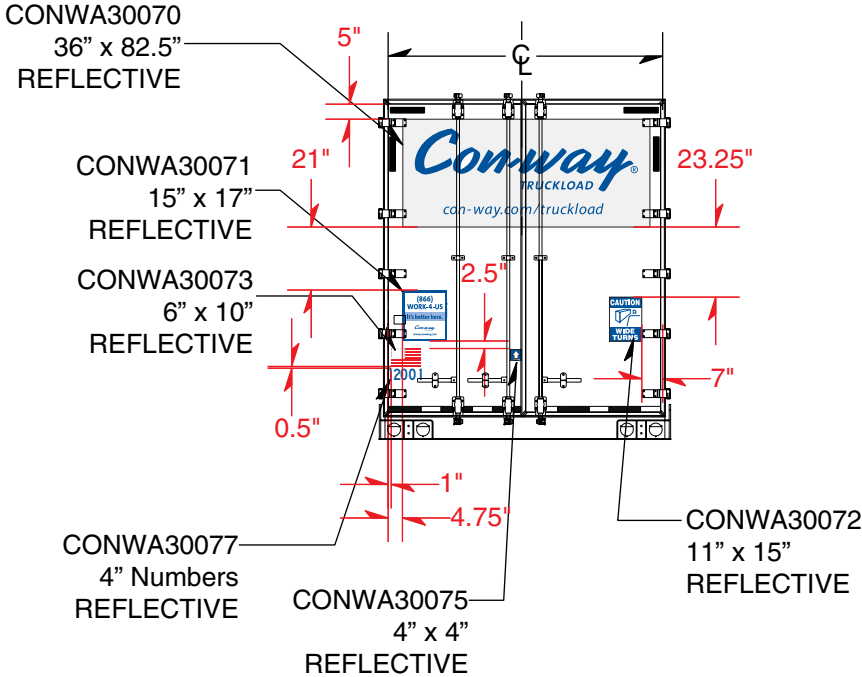
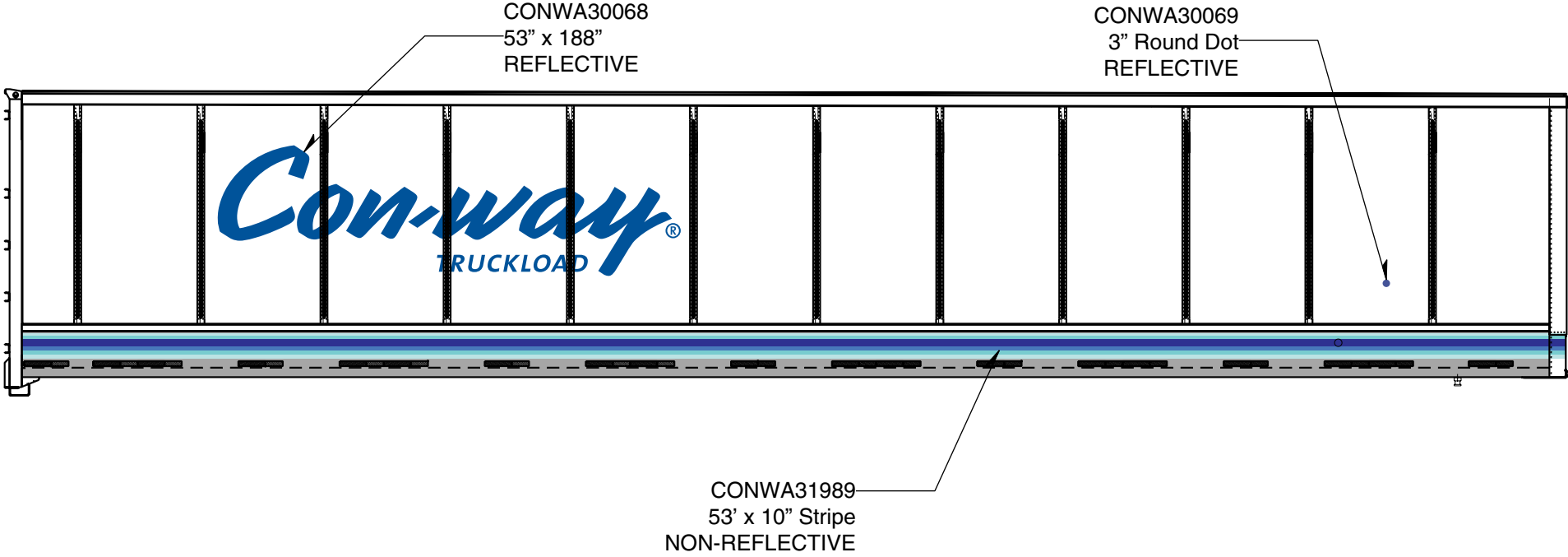
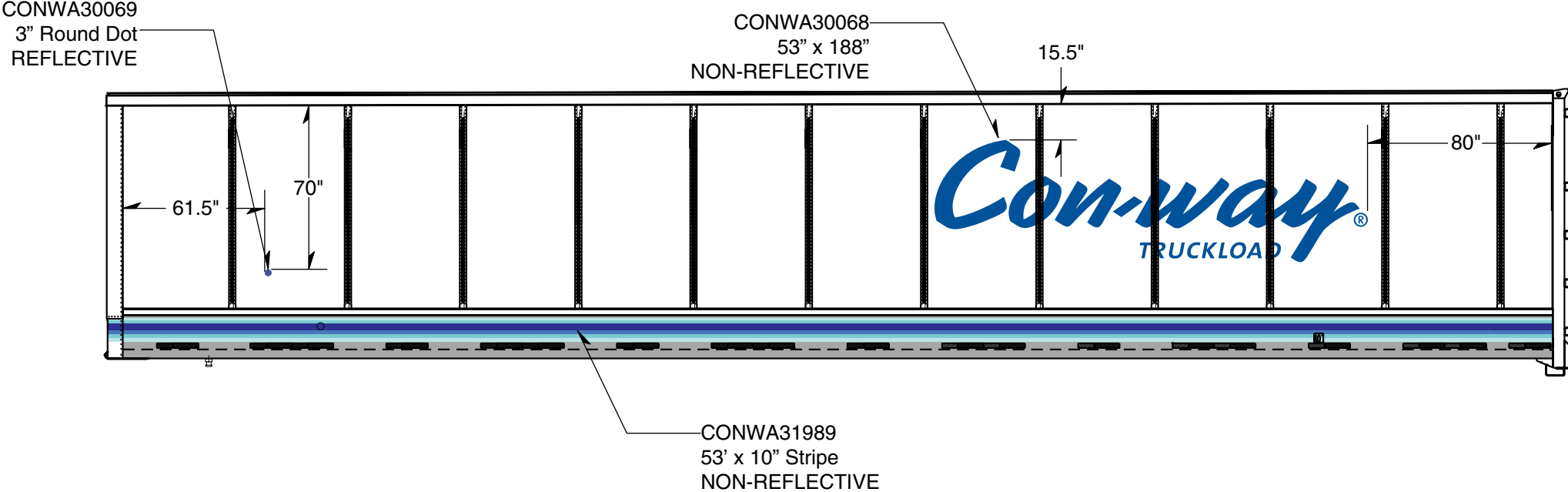
SCREW, HX CP 3/8-16 X 1-1/2  
P/N: 6000378 (12)

LOCKNUT, HX STOVER 3/8-16  
P/N: 6100382 (12)

WASHER, FLT 3/8 USS PLTD  
P/N: 6200376 (12)

# Con-way Truckload High-Rail Trailer Kit (Kiss-Cut)

(Kit #CONWA31837)



Con-way Freight		
Decal Placement for Truckload High-Rail Trailer Kits (Kiss-Cut)		
Date: 3.6.08		Kit #31837
Date: 3.6.08		Drawn By: BB
Rev#	Date:	Changes:
1	3.6.08	Revised to show All New Parts and Sizes for all New Truckload Trailers
Parts available from: <b>Modagraphics</b> 5300 Newport Drive Rolling Meadows, IL 60008 (847) 392-3980		

**CTL53-08**

**53' TRAILER**

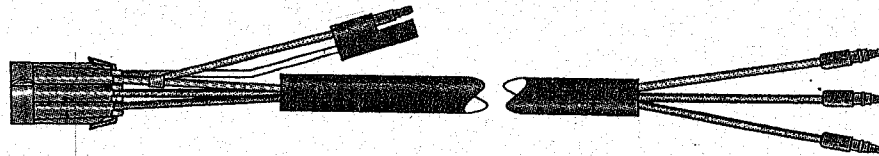
**ELECTRICAL  
ASSEMBLY**

**2008**

**TRUCK-LITE**

**800M045**

**ABS VALVE ELECTRICAL POWER HARNESS  
TRUCK-LITE**



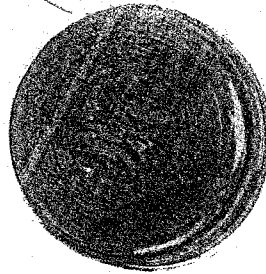
**8005565 (1)  
POWER HARNESS, ABS 300"  
TRUCK-LITE 88100-0300**

**800N186**



**ABS WARNING LIGHT ASSEMBLY  
TRUCK-LITE LED - 2"**

**8005485 (1)  
ABS LAMP - 2"  
TRUCK-LITE 30257Y**

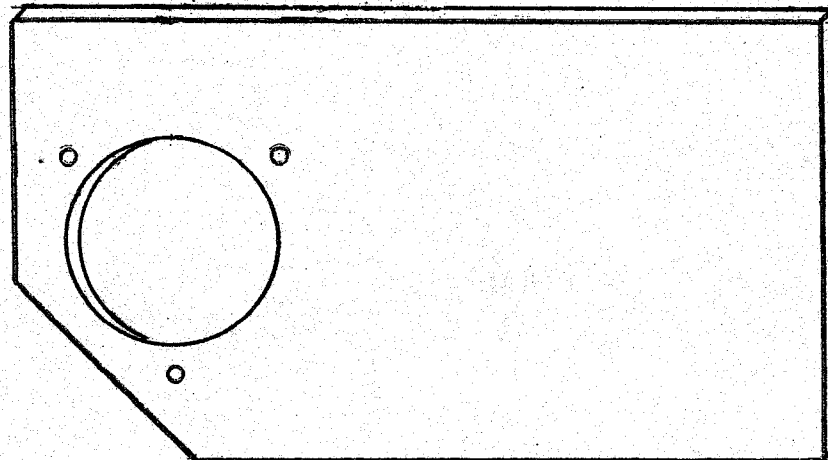


**8005391 (1)  
GROMMET, 2" CLOSED BACK  
TRUCK-LITE 30702**



**8005566 (1)  
HARNES, ABS LIGHT  
TRUCK-LITE 52200-228**

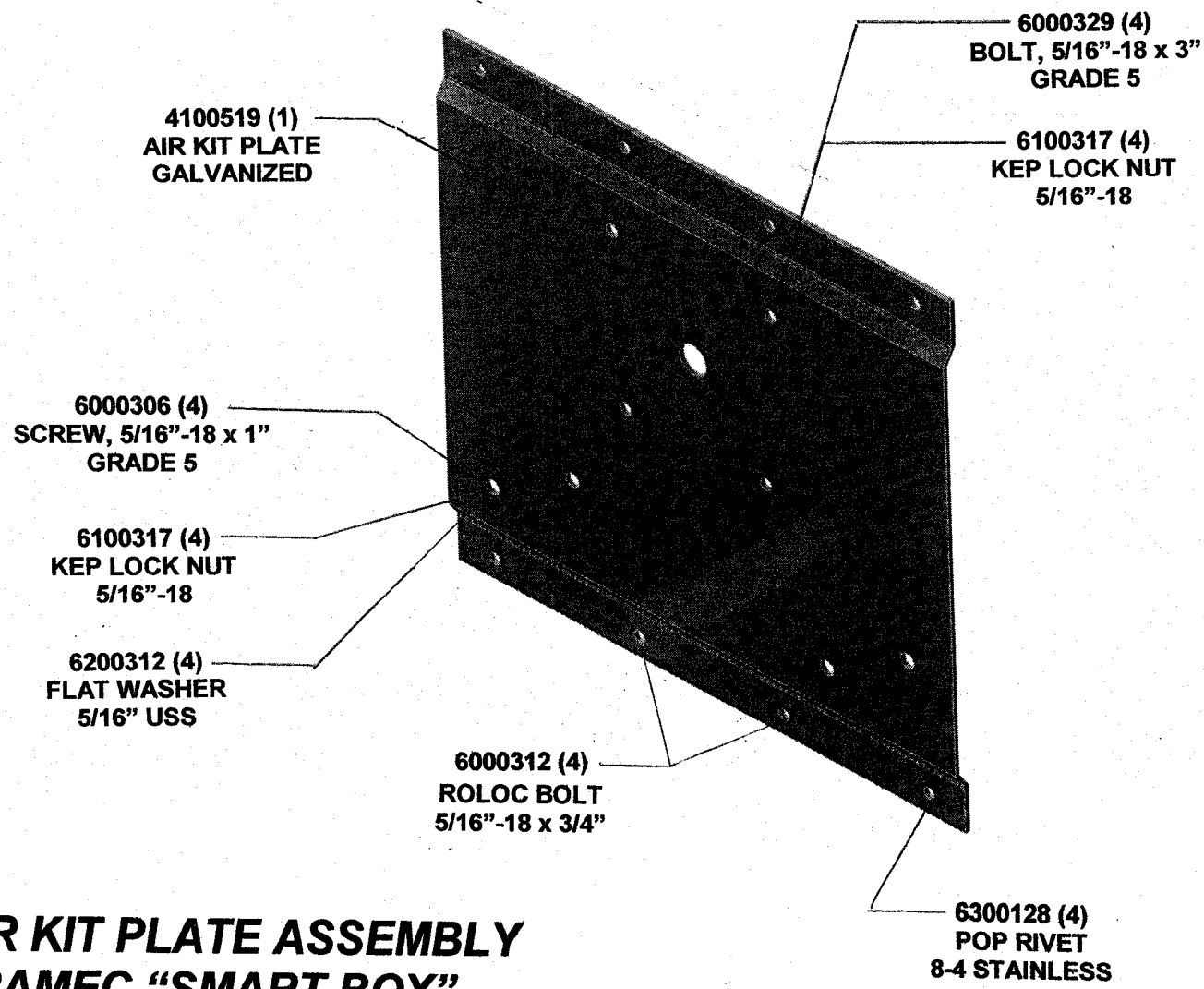
**ABS WARNING LIGHT MOUNTING BRACKET  
TRUCK-LITE LED - 2"**



**3300010 (1)  
ABS MOUNTING PLATE**

**800N186**

**CTL53-07&08**

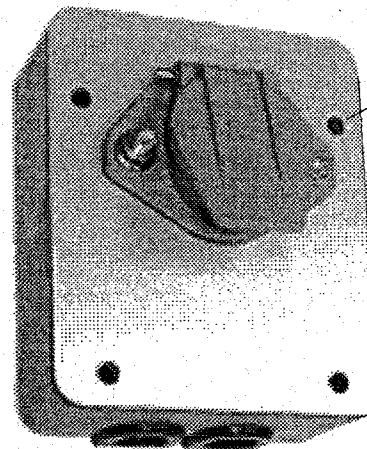


**AIR KIT PLATE ASSEMBLY  
TRAMEC "SMART BOX"**

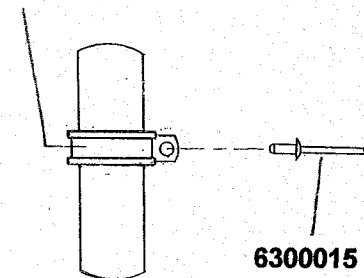
# FORWARD WALL 7-WAY RECEPTACLE TRAMEC "SMART BOX"

6000329 (4)  
BOLT, 5/16"-18 x 3"  
GRADE 5

6100317 (4)  
KEP LOCK NUT  
5/16"-18



8000261 (1)  
3/4" CUSHION CLAMP



8000943 (1)  
7-WAY RECEPTACLE  
TRAMEC SMART BOX 38521

6300015 (1)  
6-9 POP RIVET  
SELF SEALING

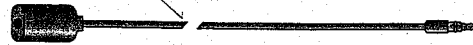


8000459 (1)  
GROMMET, 1 3/4" x 1" x 9/16"

800N182

# FORWARD WALL ELECTRICAL HARNESS TRUCK-LITE

8005431 (1)  
JUMPER, 48"  
TRUCK-LITE 96959



ROADSIDE

8000458 (2)  
GROMMET, 3/8"ID x 5/8" OD



8005461 (1)  
JUMPER, 108"  
TRUCK-LITE 97061



80005431 (1)  
JUMPER, 48"  
TRUCK-LITE 96959



8005464 (1)  
JUMPER, 60"  
TRUCK-LITE 95944



CURBSIDE

8000302 (9)  
DEKCLIP, 3/8"



8000931 (2)  
CABLE TIE, 8"



8005487 (1)  
JUMPER, 6"  
TRUCK-LITE 96425



800N182

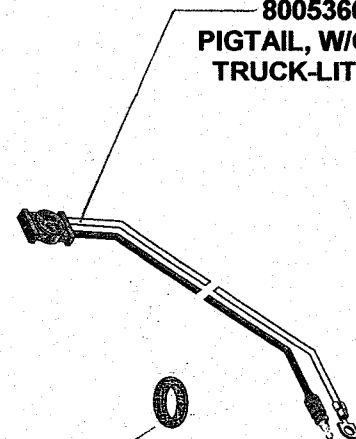
# FORWARD WALL MARKER LIGHTS TRUCK-LITE

6000234 (4)  
SCREW, 10-16x1"



8005433 (2)  
MARKER LIGHT, MODEL 35 LED  
TRUCK-LITE 35375Y

8005366 (2)  
PIGTAIL, W/GROUND  
TRUCK-LITE 94718



8000463 (2)  
GROMMET  
3/16"x1/4"x7/16"



6200103 (2)  
STARLOCK WASHER #10

6200103 (2)

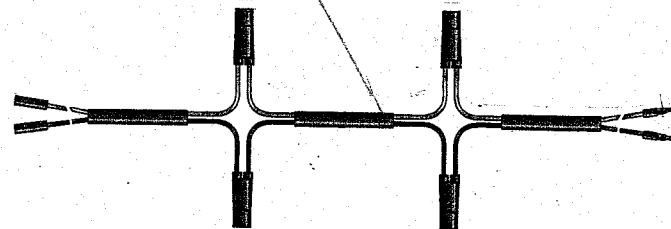
# HEADER CLEARANCE LIGHT ASSEMBLY TRUCK-LITE MODEL 33 LED

6100256 (4)  
KEP LOCK NUT  
1/4"-\*20 STAINLESS

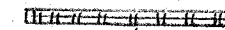
6400606 (4)  
WELD STUD  
1/4"-20x3/4"

8000266 (4)  
1/4" CUSHION CLAMP

8005494 (1)  
HARNESS, MODEL 33 LIGHTS  
TRUCK-LITE 96269

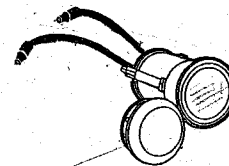


8000451 (1)  
GROMMET



8000977(12")  
3/8" SPLIT LOOM

PLUG THE UNUSED BULLETS WITH PLUGS FROM THE REAR SILL HARNESS



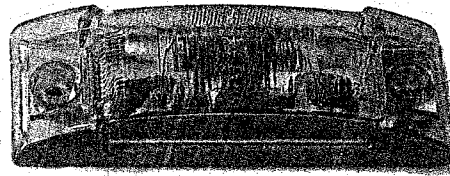
8005492 (3)  
MODEL 33 LED LIGHT  
TRUCK-LITE 33250R

8005493 (3)  
GROMMET, MODEL 33 LIGHT  
TRUCK-LITE 33700

800N289

# LICENSE LIGHT ASSEMBLY TRUCK-LITE, MODEL 88 INCANDESCENT

8005429 (1)  
LICENSE LAMP, MODEL 88  
TRUCK-LITE 21204C



6300139 (2)  
POP RIVET, 6-16

8000463 (1)  
GROMMET, 3/16"x1/4"x7/16"  
MID-ATLANTIC 2754-40009



8005430 (1)  
HOT WIRE, MODEL 21  
TRUCK-LITE 96932



6000254 (1)  
BOLT, 1/4"-20 x 1"



8000266 (1)  
1/4" CUSHION CLAMP



6100256 (1)  
KEP LOCK NUT  
1/4"-20 STAINLESS

8005464 (1)  
JUMPER HARNESS, 60"  
TRUCK-LITE 95944



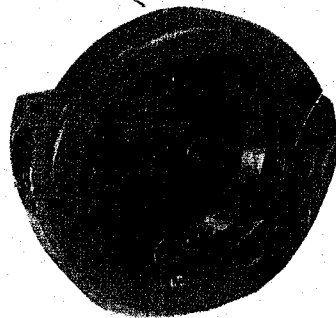
6300139 (2)  
6-16 POP RIVET

800N914

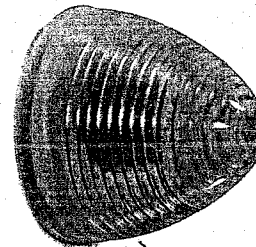


**LOWER REAR MARKER LIGHTS  
TRUCK-LITE INCANDESCENT MODEL 30 - 2"**

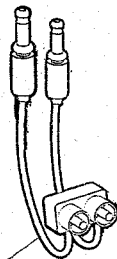
**8005391 (2)  
GROMMET, 2" CLOSED BACK  
TRUCK-LITE 30702**



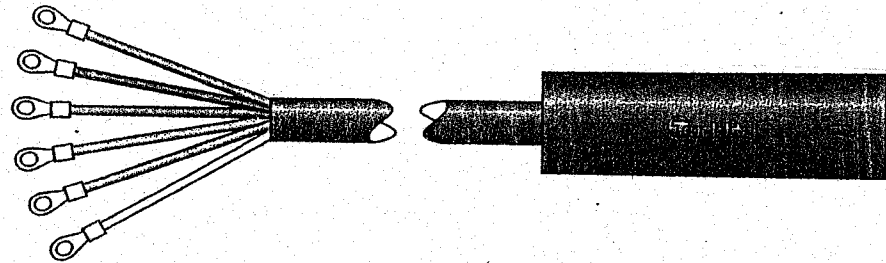
**8005559 (2)  
MARKER LAMP 2" MODEL 30  
TRUCK-LITE 30201R**



**8005561 (2)  
PIGTAIL, MARKER MODEL 30 - 18"  
TRUCK-LITE 95850**



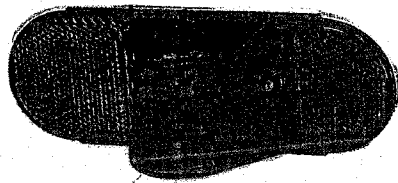
**MAIN HARNESS  
TRUCK-LITE**



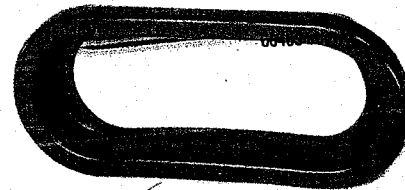
**8005322 (1)  
MAIN HARNESS  
TRUCK-LITE 88701-0756"**

**800M045**

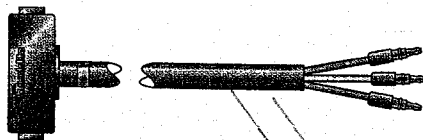
# MID-TURN LIGHT ELECTRICAL ASSEMBLY TRUCK-LITE, INCANDESCENT



8005371 (2)  
LAMP, MID-TURN MODEL 60  
TRUCK-LITE 60215Y



8005372 (2)  
GROMMET, MID-TURN LIGHT MOUNTING  
TRUCK-LITE 60700



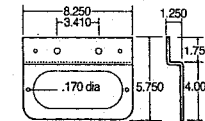
8005560 (1)  
HARNES L.H. MID-TURN  
TRUCK-LITE 51355-0336

8005563 (1)  
HARNES R.H. MID-TURN  
TRUCK-LITE 51356-0336

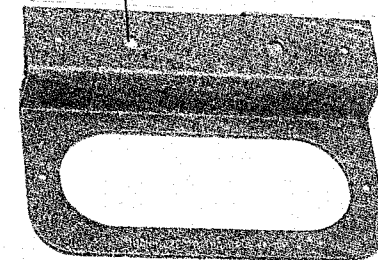
6000363 (4)  
BOLT, 3/8"-16 x 1 1/4"

6100377 (4)  
NYLOK NUT, 3/8"-16

6200378 (4)  
FLATWASHER, 3/8"



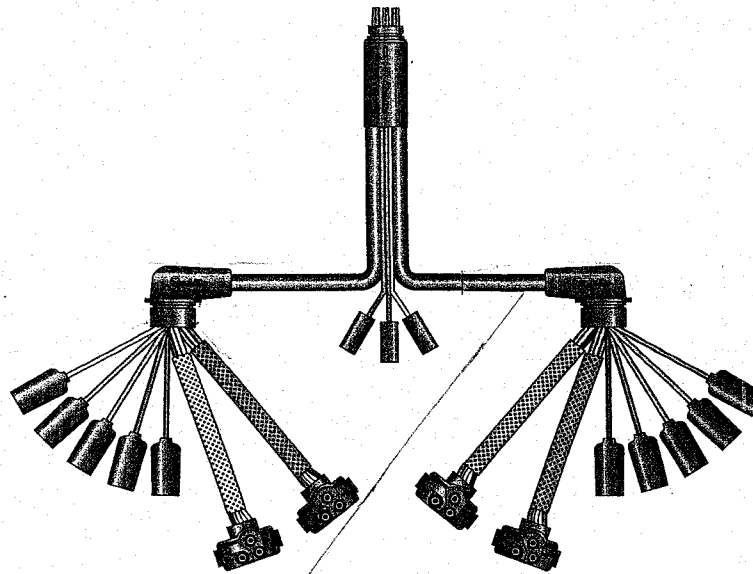
60728  
.370 SCREW HOLE DIAMETER  
.200 SCREW HOLE DIAMETER



8005373 (2)  
MOUNTING BRACKET, MID-TURN LIGHT  
TRUCK-LITE 60728

# REAR SILL ELECTRICAL ASSEMBLY TRUCK-LITE

8005432 (2)  
GROUND WIRE, 6"  
TRUCK-LITE 94649



8005427 (1)  
REAR SILL HARNESS  
INCANDESCENT, WITH ABS  
TRUCK-LITE 88911

WIRE COLOR CODING FOR ALL REAR SILL DROPOUTS.

Center (ABS Power)	
Red	-(1) Single - Stop
Blue	-(1) Single - Auxiliary/ABS
White	-(1) Single - Ground
Right Hand	
Green	-(1) Single RH Turn
White	-(2) Double Ground
Brown	-(1) Double Marker or Tail
Black	-(1) Double License or Marker
Left Hand	
Yellow	-(1) Single LH Turn
White	-(2) Double Ground
Brown	-(1) Double Marker or Tail
Black	-(1) Double License or Marker

6000606 (6)  
WELD STUD, 1/4"-20 x 3/4"

6100256 (6)  
LOCK NUT 1/4"-20

8000262 (1)  
7/8" CUSHION CLAMP

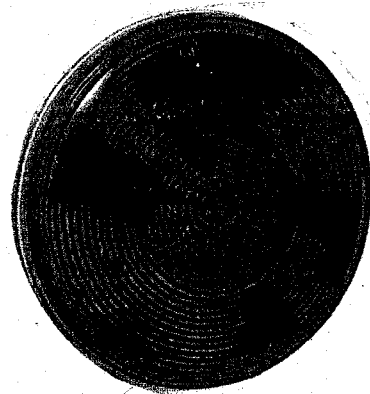
8000264 (2)  
1 7/16" CUSHION CLAMP

8000271 (1)  
1/2" CUSHION CLAMP

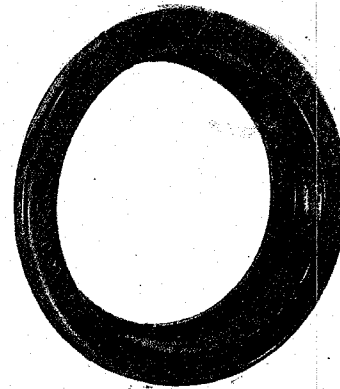
8000931 (10)  
CABLE TIE, 8"

800N187

**STOP LIGHT ASSEMBLY  
TRUCK-LITE INCANDESCENT**



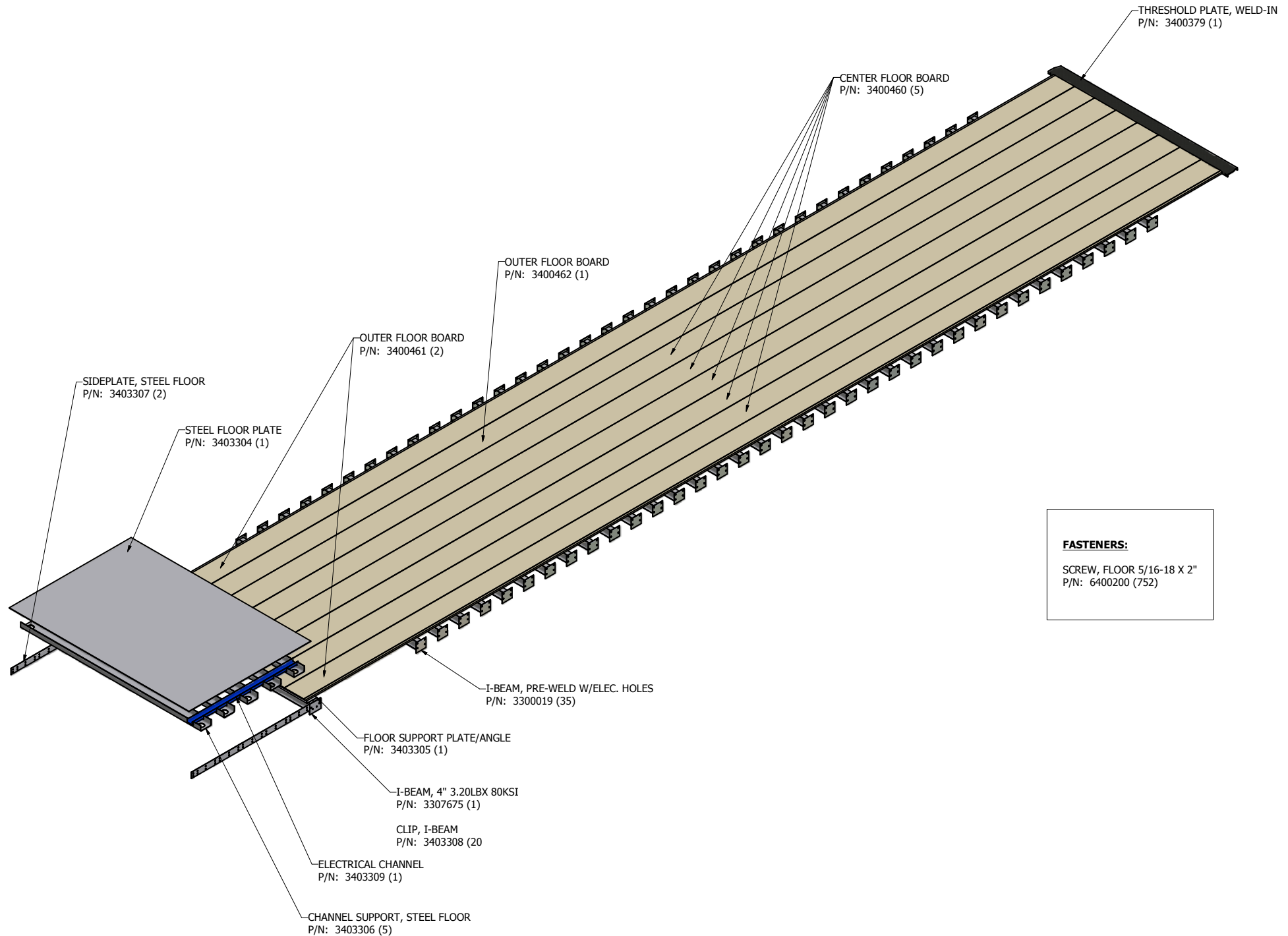
8005410 (4)  
TAIL LIGHT, INCANDESCENT  
TRUCK-LITE 40282R



8005383 (4)  
GROMMET, TAIL LIGHT  
TRUCK-LITE 40700

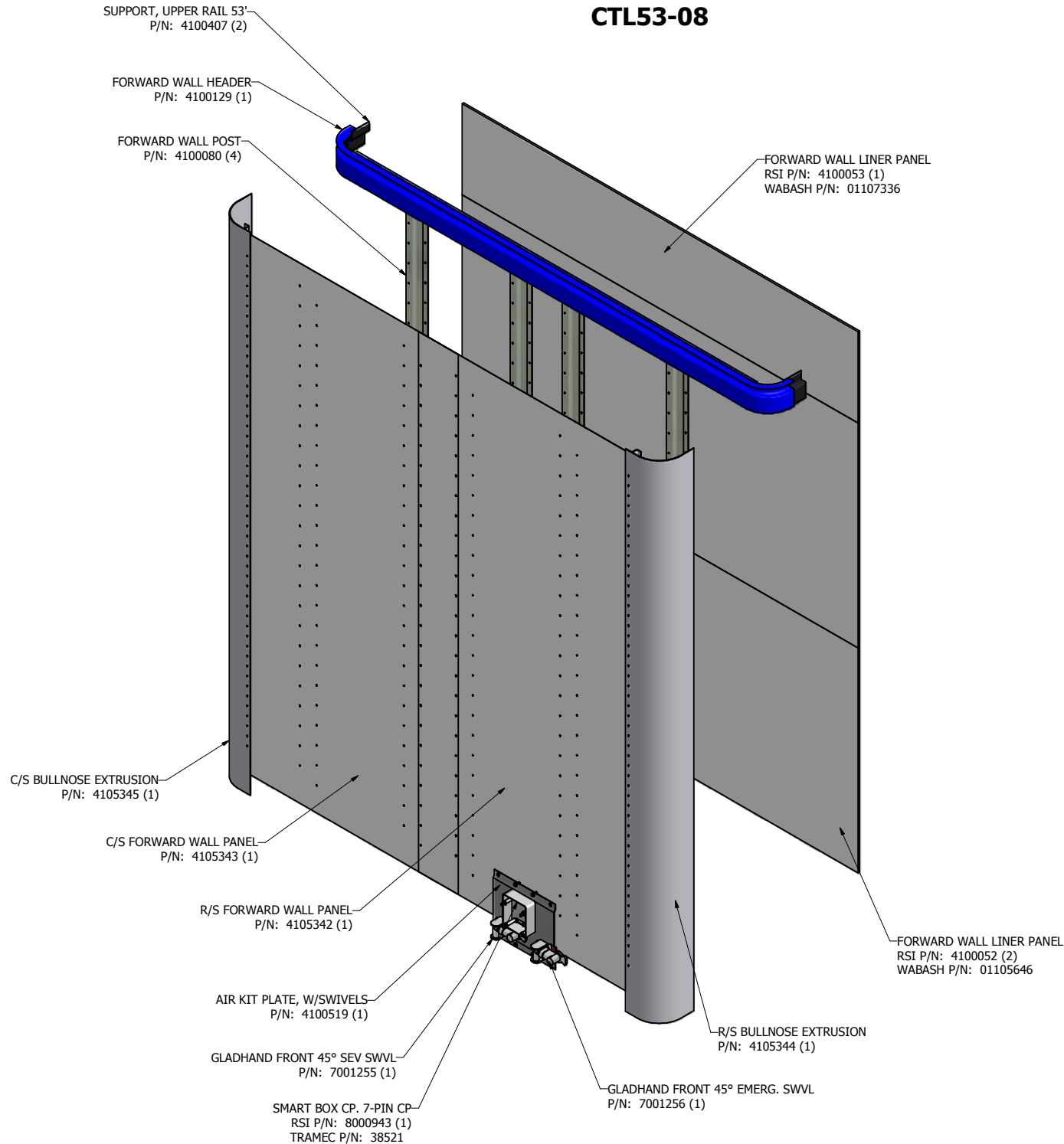
# FLOOR ASSEMBLY (340M033)

## CTL53-08



# FORWARD WALL ASSEMBLY (410M100)

## CTL53-08

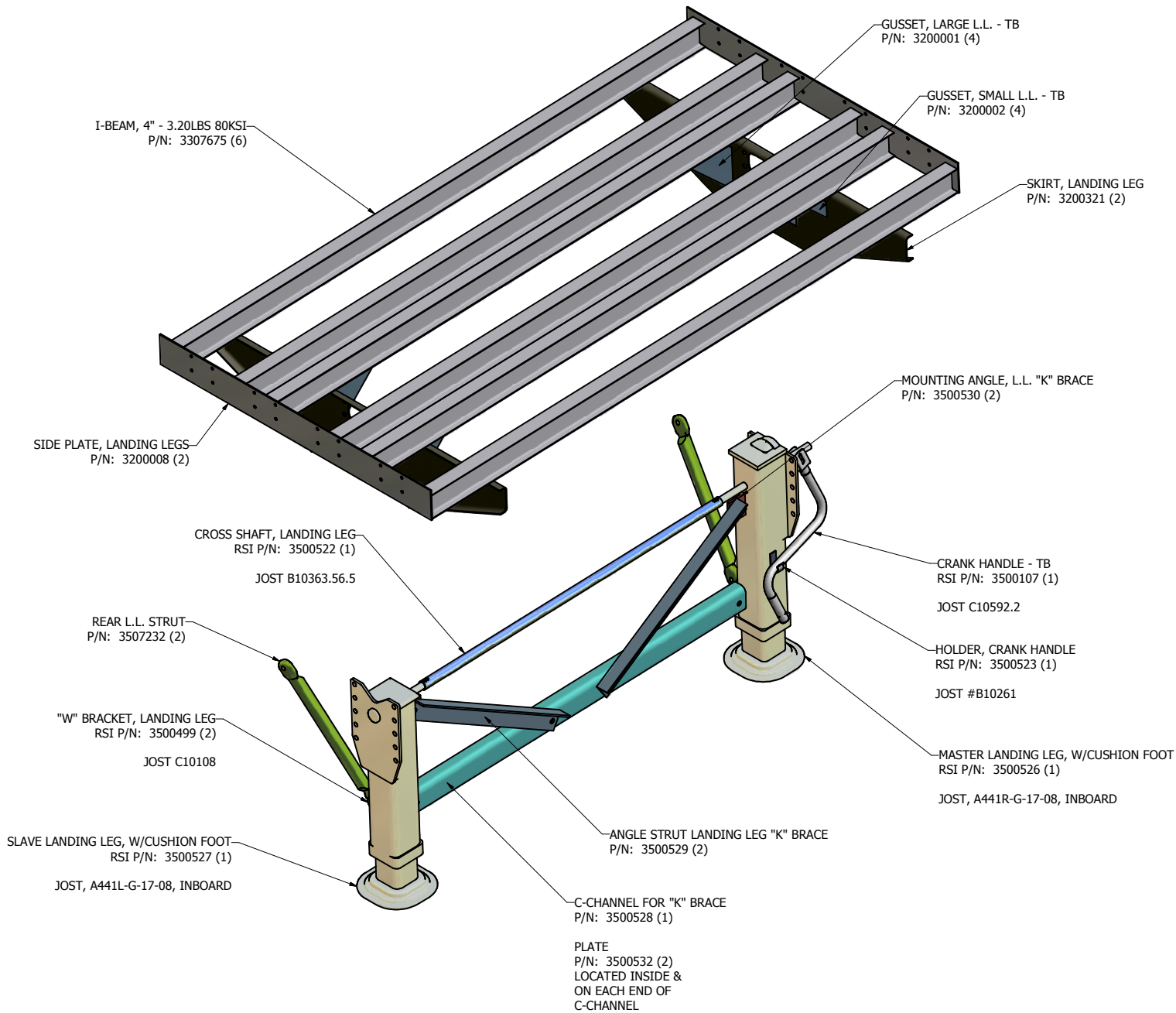


### FASTENERS:

- SCREW, STNLS 5/16-18 X 1"  
P/N: 6000306 (4)
- SCREW, ROLOC 5/16-18 X 3/4  
P/N: 6000312 (4)
- BOLT, 5/16-18 X 3  
P/N: 6000329 (4)
- NUT, KEP STNLS 5/16-18  
P/N: 6100317 (8)
- RIVET, SSDSS-84  
P/N: 6300128 (4)
- RIVET, AN 455AD6-6 PPW  
P/N: 6300001 (0.29lbs)
- RIVET, AN 455AD8-8 PPW  
P/N: 6300006 (0.09lbs)
- RIVET, 8-10 PPW AN 455AD  
P/N: 6300013 (0.103lbs)
- RIVET, 8-12 PPW  
P/N: 6300014 (0.14lbs)
- RIVET, AN 455AD6-6 PPW  
P/N: 6300016 (0.113lbs)
- RIVET, AN 455AD8-7  
P/N: 6300104 (0.42lbs)
- RIVET, AN 455AD8-10  
P/N: 6300108 (0.113lbs)
- SCREW, HEX CAP 1/4-20 X 1  
P/N: 6000254 (6)
- LOCKNUT, 1/4-20 HEX  
P/N: 6100258 (6)
- WASHER, FLT 1/4 SAE PLTD  
P/N: 6200252 (12)
- RIVET, POP AD68SSSLF LG  
P/N: 6300114 (60)
- POP RIVET, CLOSED END  
P/N: 6300015 (4)

# LANDING LEGS ASSEMBLY (320TB04)

## CTL53-08



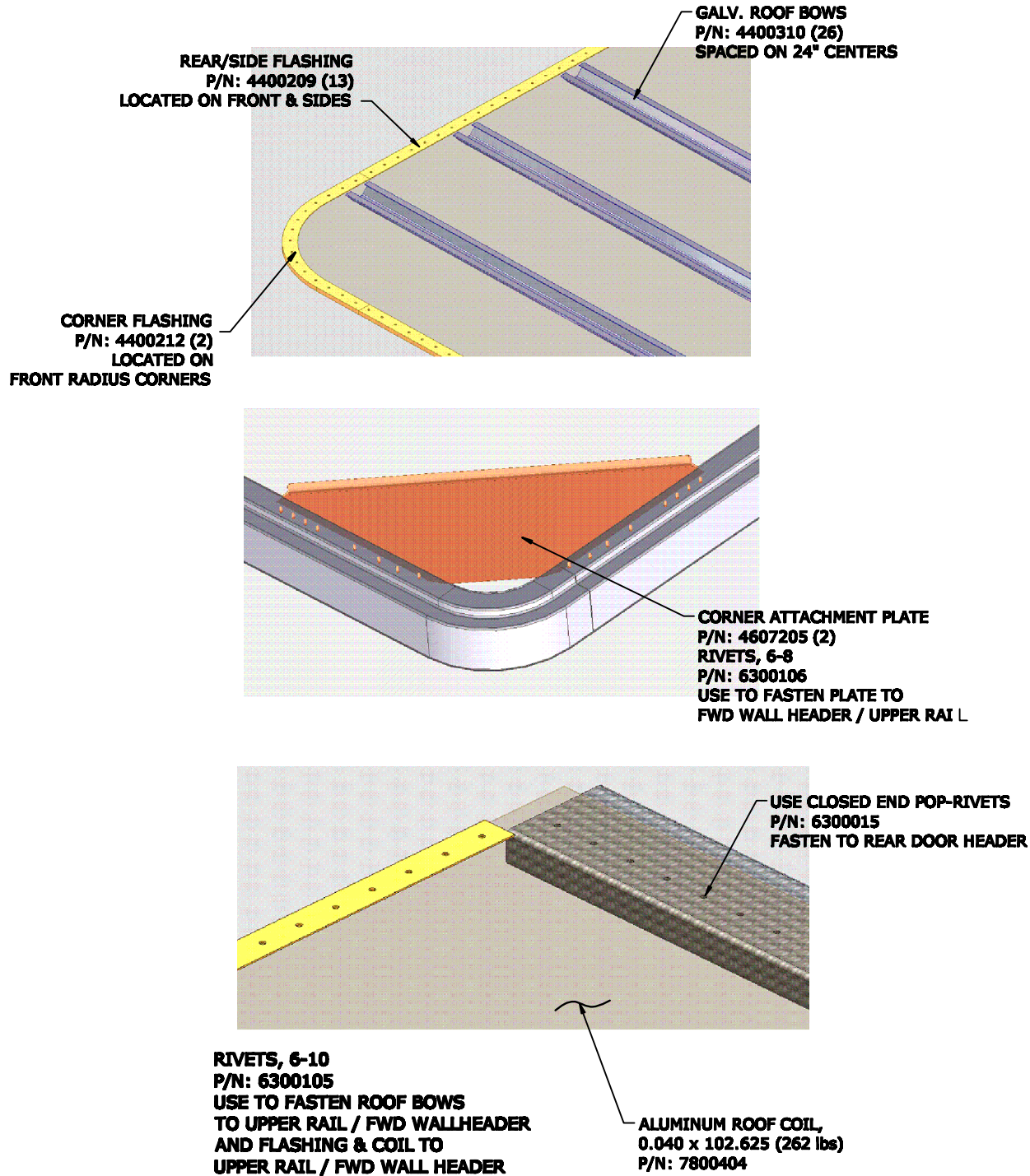
### FASTENERS:

KIT PACK AY - L.L.  
P/N: 320N025 (1)

- BOLT, 5/8-18 X 1-3/4 HX HD  
P/N: 6000627 (24)
- NUT, PINCH LOCK 5/8-18  
P/N: 6100626 (24)
- WASHER, FLT 5/8 USS PLTD  
P/N: 6200626 (24)



# ALUMINUM ROOF COMPONENTS



# SIDEWALL ASSEMBLY (420M030)

## CTL53-08

C/S SIDEWALL ASSEMBLY  
P/N: 421SW21 (1)

R/S SIDEWALL ASSEMBLY  
P/N: 422SW21 (1)

**FASTENERS:**

PIN, HUCK C6LB-R 12-8GA  
P/N: 6000355 (174)

3/8-16 X 1-1/4 TORX GR5.1  
P/N: 6000363 (66)

COLLAR, HUCK - GALV.  
P/N: 6100352 (174)

LOCKNUT, 3/8-16 NYLON PLT  
P/N: 6100377 (66)

RIVET, 8-10 PPW AN455AD  
P/N: 6300013 (7.36lbs)

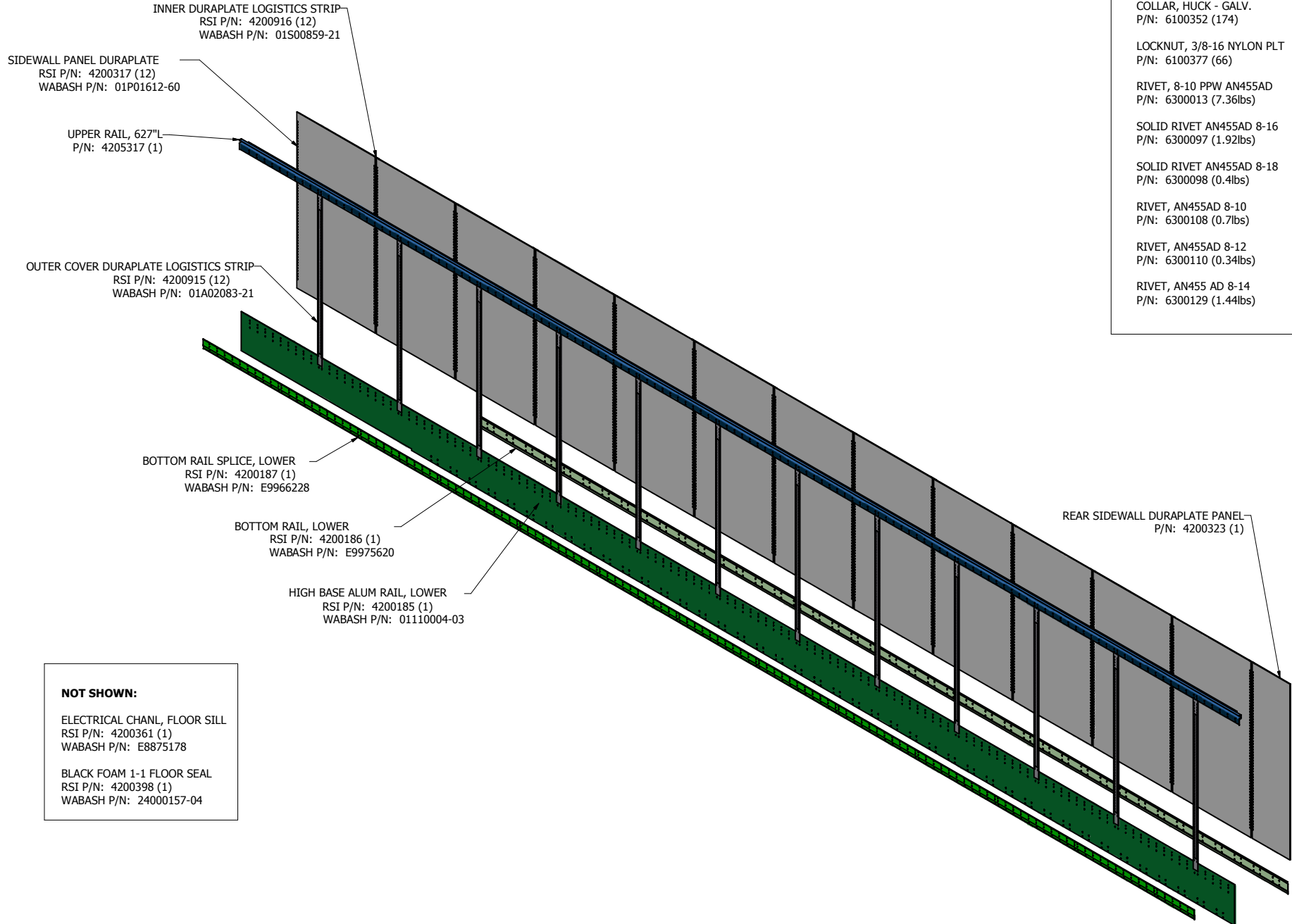
SOLID RIVET AN455AD 8-16  
P/N: 6300097 (1.92lbs)

SOLID RIVET AN455AD 8-18  
P/N: 6300098 (0.4lbs)

RIVET, AN455AD 8-10  
P/N: 6300108 (0.7lbs)

RIVET, AN455AD 8-12  
P/N: 6300110 (0.34lbs)

RIVET, AN455 AD 8-14  
P/N: 6300129 (1.44lbs)



**NOT SHOWN:**

ELECTRICAL CHANL, FLOOR SILL  
RSI P/N: 4200361 (1)  
WABASH P/N: E8875178

BLACK FOAM 1-1 FLOOR SEAL  
RSI P/N: 4200398 (1)  
WABASH P/N: 24000157-04

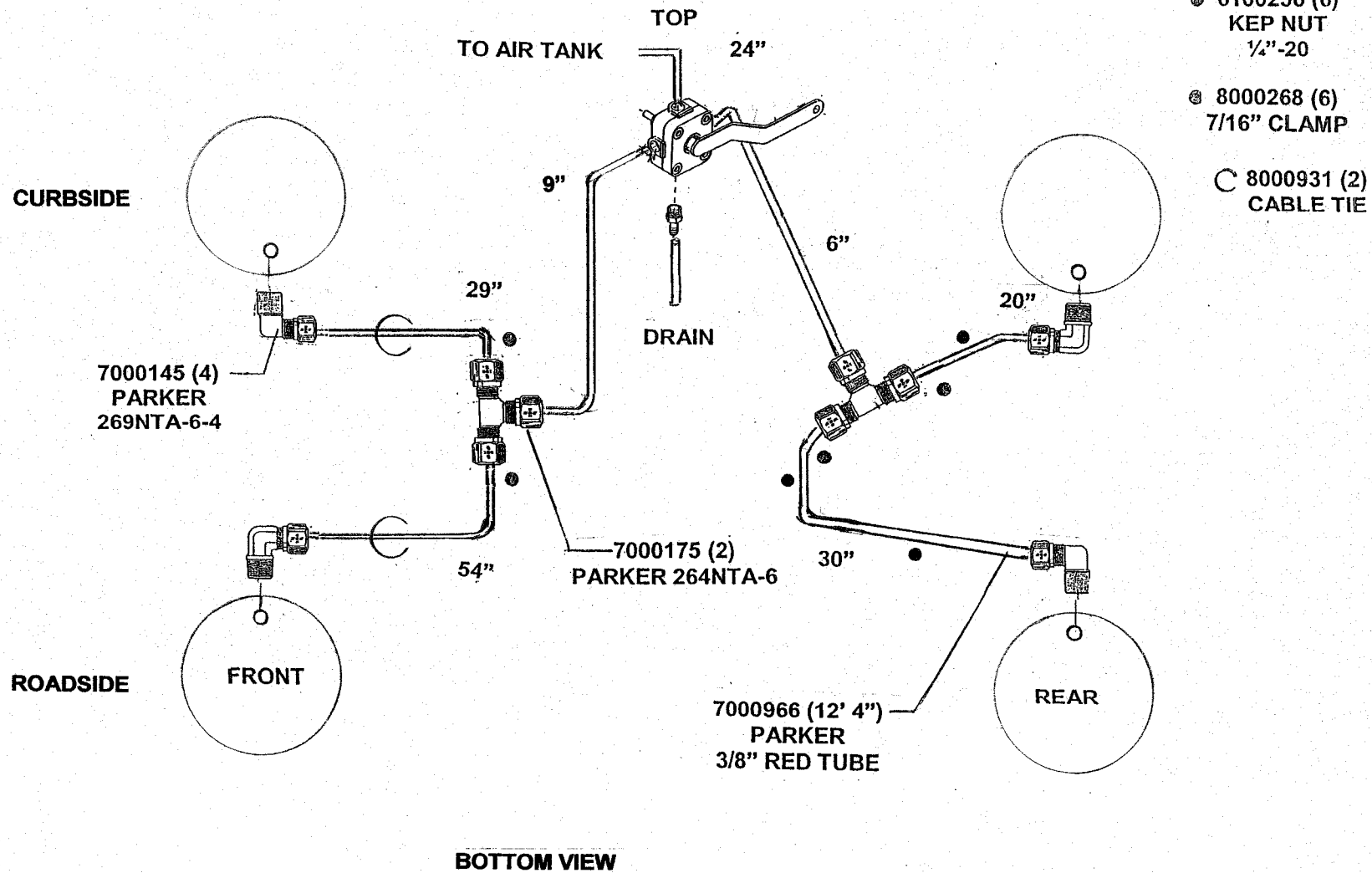
***CTL53-08***

***TRAILER***

***SUSPENSION AND  
AXLE WHEEL END  
COMPONENTS***

***2008***

# AIR BAG BRASS AND FASTENER ASSEMBLY HENDRICKSON SUSPENSION



⊙ 6000254 (6)  
BOLT, 1/2"-20 x 1"

⊙ 6100256 (6)  
KEP NUT  
1/4"-20

⊙ 8000268 (6)  
7/16" CLAMP

⊙ 8000931 (2)  
CABLE TIE

**BOTTOM VIEW**

220N077

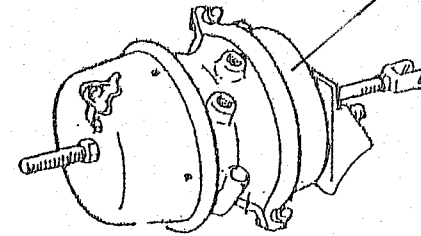
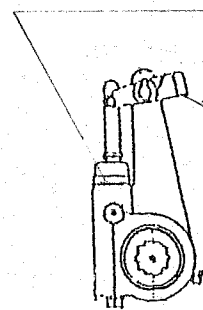
# CTL53-07 & 08

220N018 (4)  
 ASSY. SLACK ADJUSTER  
 GUNITE

2200238 (4)  
 AIR BRAKE CHAMBER  
 HALDEX 1493030016

2200115 (4)  
 SLACK ADJUSTER, 5 1/2"  
 28 SPLINE  
 GUNITE SA10802

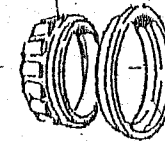
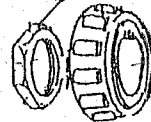
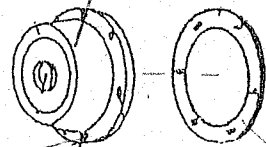
2200116 (4)  
 NUT KIT, SLACK ADJ.  
 5/8"-18 NUT  
 GUNITE SA07701



2200229 (4)  
 HUB CAP, "DUCK BILL"  
 STEMCO 352-4195

2200064 (4)  
 PRO-TORQUE NUT, PARALLEL  
 STEMCO 447423

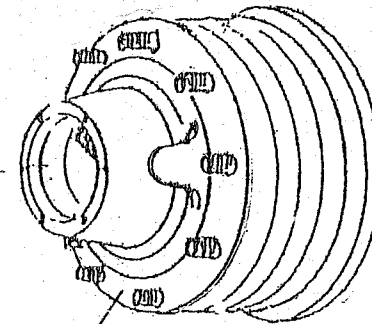
2200060 (8)  
 WHEEL BEARING, PARALLEL  
 STEMCO KHM 518445



6000310 (24)  
 BOLT, 5/16"-18 x 1"  
 GRADE 8

2200063 (4)  
 GASKET, HUB CAP  
 STEMCO 3303118

6200313 (24)  
 LOCKWASHER, 5/16"

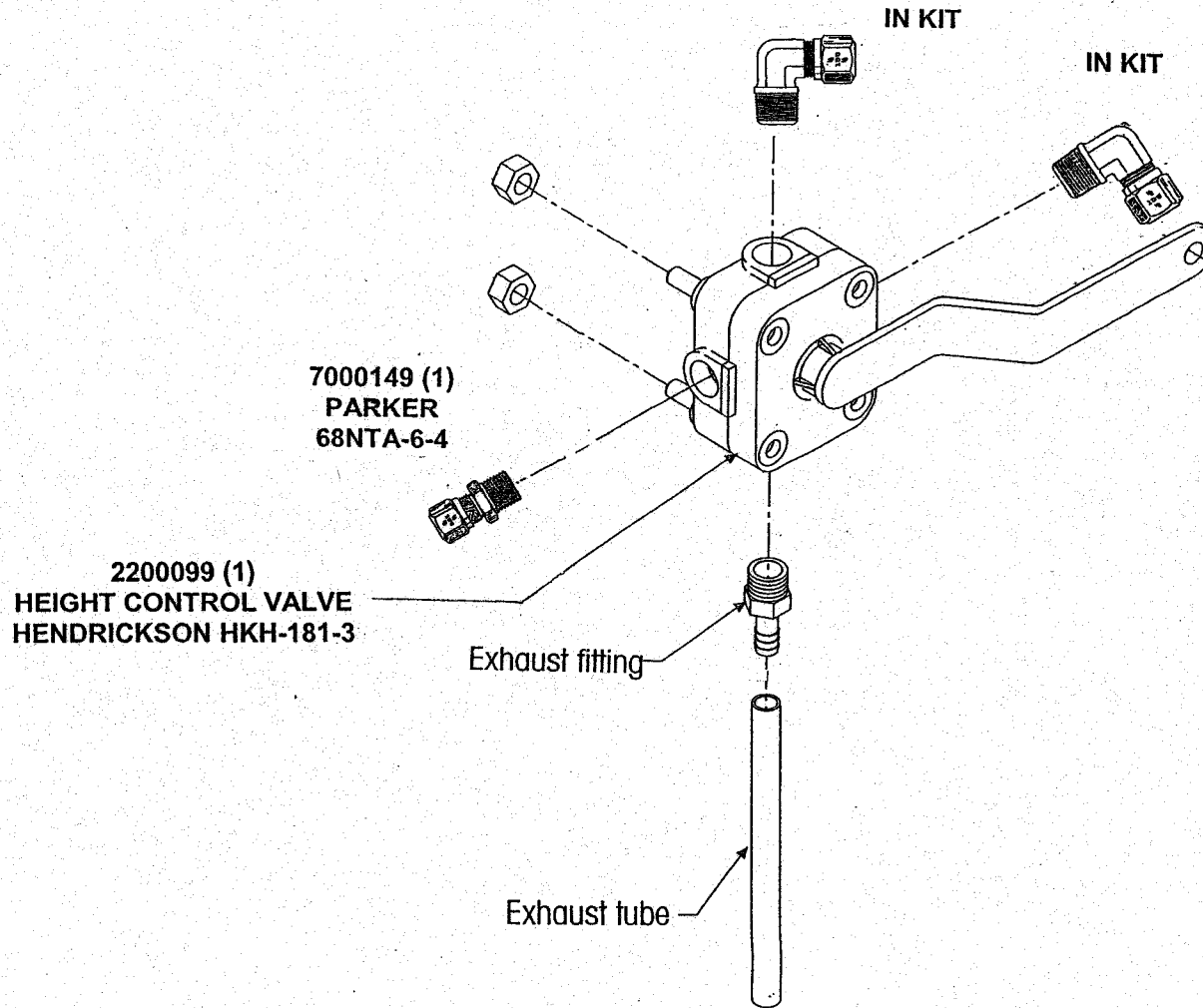


2200088 (4)  
 HUB & DRUM ASSEMBLY  
 MOTOR WHEEL 440112

2200061 (4)  
 WHEEL SEAL, GUARDIAN HP  
 STEMCO 307-0723

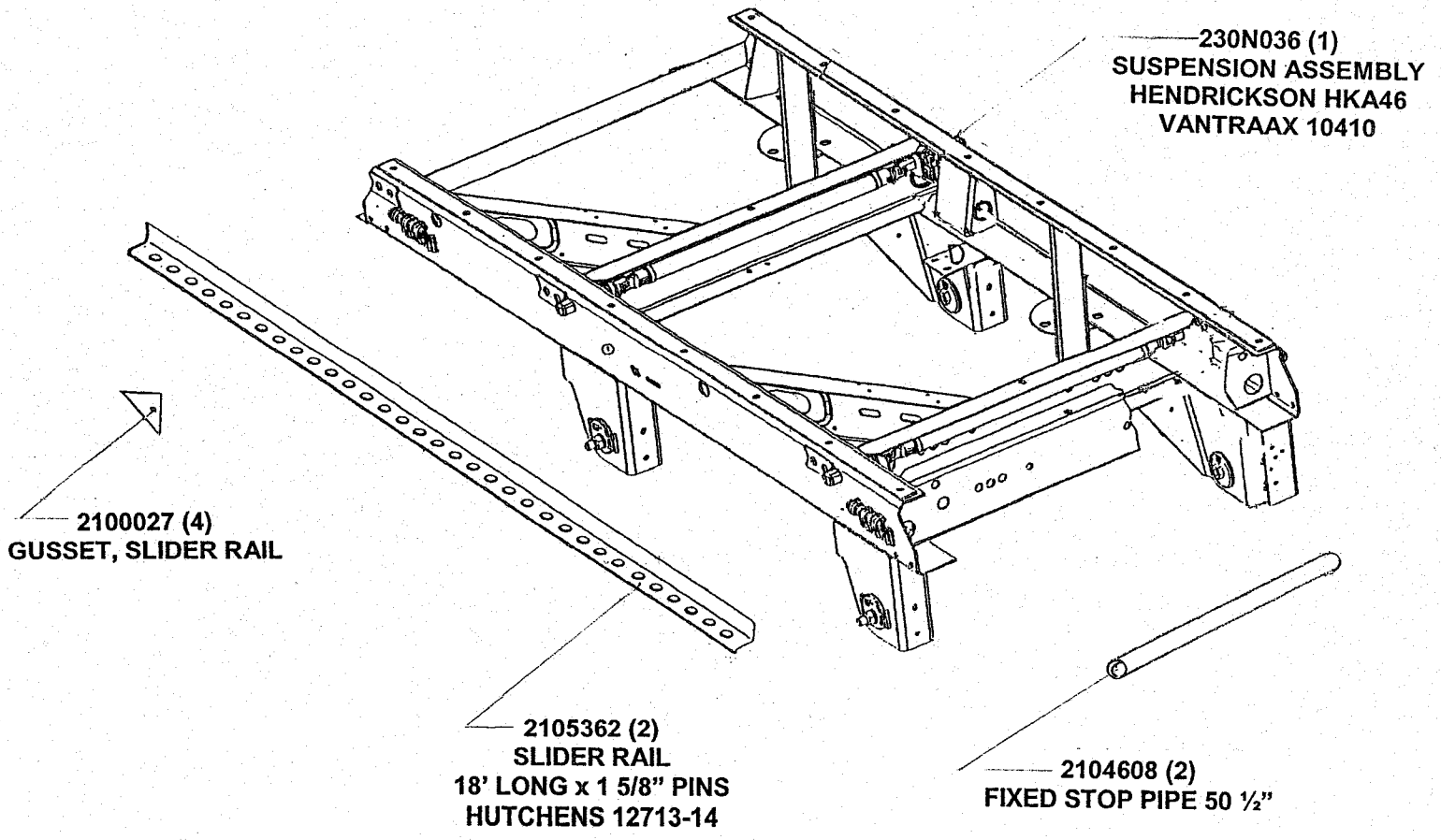
## AXLE ASSEMBLY

# HEIGHT CONTROL VALVE ASSEMBLY HENDRICKSON SUSPENSION



220N076

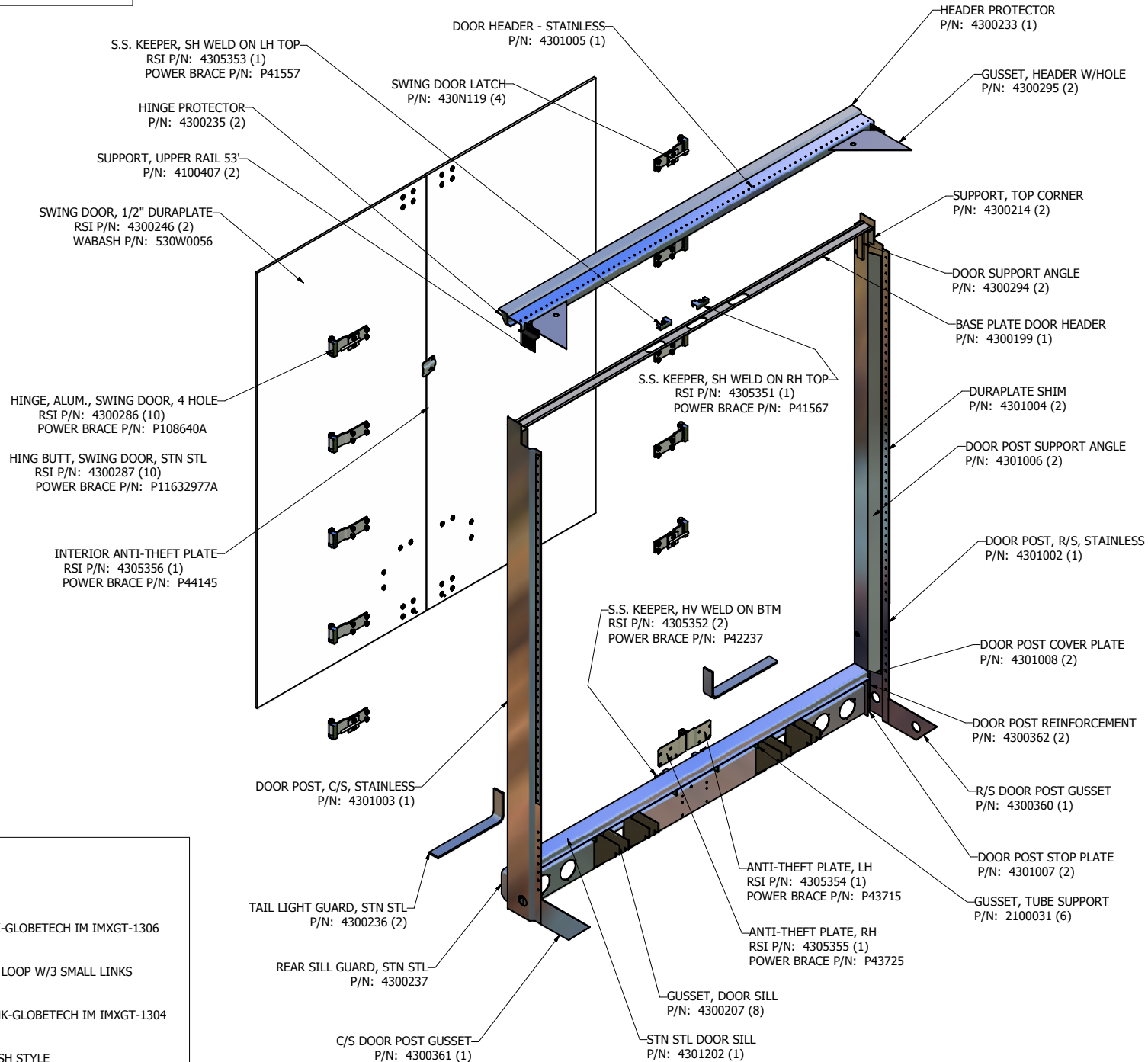
**SUSPENSION ASSEMBLY  
HENDRICKSON HKAT46**



**DOOR FRAME ASSEMBLY**  
P/N: 430M020 (1)

**SWING DOOR ASSEMBLY (500M030)**

**CTL53-08**



**NOT SHOWN:**

- HOLDBACK ASSY-DOOR  
P/N: 430N121 (1)
  - HOLD BACK HOOK-GLOBETECH IM IMXGT-1306  
P/N: 4300421 (2)
  - DOOR HOLDBACK LOOP W/3 SMALL LINKS  
P/N: 4300423 (2)
  - LOOP ATTACH LINK-GLOBETECH IM IMXGT-1304  
P/N: 4300424 (2)
  - GROMMET, WABASH STYLE  
P/N: 4300425 (2)
  - TARP TIES, GOLDLINE  
P/N: 4305357 (4)

**FASTENERS:**

- SCREW, HEX CP 3/8-16 X 1  
P/N: 6000376 (4)
- LOCKNUT, 3/8-16 NYLON PLT  
P/N: 6100377 (4)
- WASHER, FLT 3/8 SAE PLTD  
P/N: 6200378 (8)
- BOLT, 1/2"-13 X 4"S-DR  
P/N: 6000160 (10)
- NUT, CAMTNER 5/16-18 X 1/2  
P/N: 6000335 (66)
- NUT, NYLOK 1/2"-13 SW/DR  
P/N: 6100160 (6)
- BOLT, CAMT 5/16-18 X 5/8  
P/N: 6400507 (56)
- NUT, 1/2"-13 GRD.5 PLTD  
P/N: 6100505 (4)
- BOLT, CAMT 5/16-18 X .985  
P/N: 6400510 (10)
- WASHER, FLT 3/8 USS PLTD  
P/N: 6200376 (10)
- BOLT, 1/4-20 X 1-1/2 GR8  
P/N: 6000250 (4)
- BOLT SS5/16-18 X 1-1/4  
P/N: 6000318 (2)
- NUT, 1/4-20 NYLOK PLTD  
P/N: 6100253 (4)
- LOCKNUT, 5/16-18 HEX  
P/N: 6100313 (2)
- FENDER WASHER 1/4" PLTD  
P/N: 6200241 (4)
- WASHER, FLT 1/4 SAE PLTD  
P/N: 6200252 (4)
- NUT, 1/4-20 STNLS KEP  
P/N: 6100256 (6)
- RIVET, POP AD-6-14-ABS  
P/N: 6300117 (6)
- STUD WELD 1/4-20 X 3/4"  
P/N: 6400606 (6)
- CLAMP, RBR CUSH 1/4 NO. 4  
P/N: 8000266 (4)
- GROMMET, 3/4"ID X 1-1/16 X 1/4  
P/N: 8000451 91)
- GROMMET, 3/8"ID X 5/8"OD  
P/N: 8000458 (1)



# UPPER COUPLER ASSEMBLY (310M018)

## CTL53-08

