

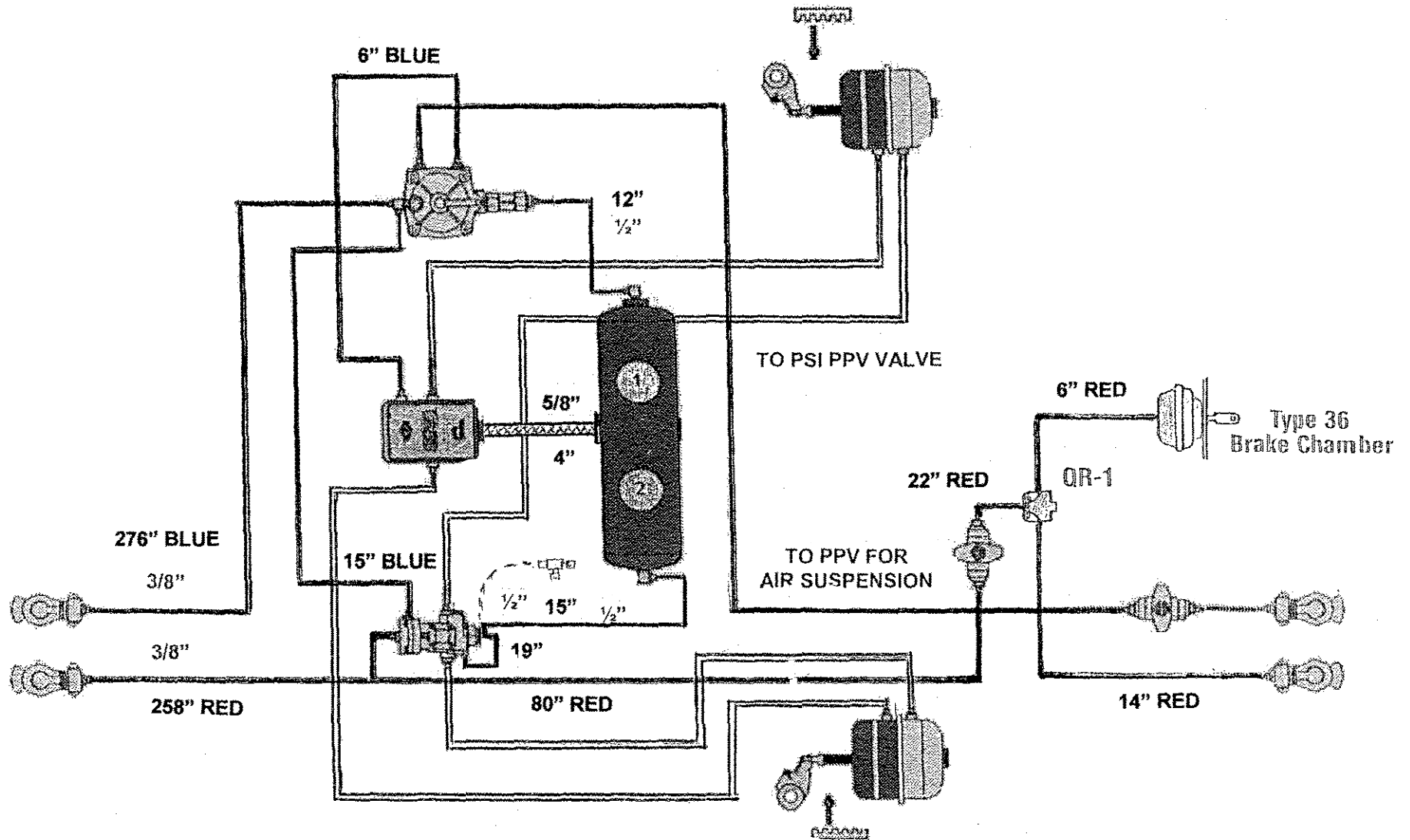
# Parts Book

## Fed-Ex East 28'



# Air Brake System

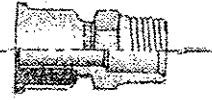
Fed-Ex East 28'



**FED-EX EAST 28' TRAILER**

# FED-EX EAST 28' TRAILER – 2007

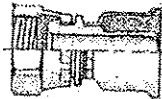
7000212  
SWIVEL, FEMALE  
PARKER  
10825-6-6B  
5/8"-18 x 3/8" T



7000214  
MALE ADAPTOR  
PARKER  
017M-6-8B  
3/8"-18 x 3/4"-20



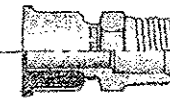
7000213  
JOUNCE, FEMALE  
45D. SWIVEL  
PARKER  
17B25-8-6B  
3/4"-20 x 3/8" T



7000210  
RUBBER AIR  
BRAKE HOSE  
PARKER  
271-6-RL-3/8"



7000215  
MALE PIPE END – RIGID  
PARKER  
10125-6-6B-VS  
3/8" T x 3/8" H



## AIR HOSE AND TUBE ASSEMBLY

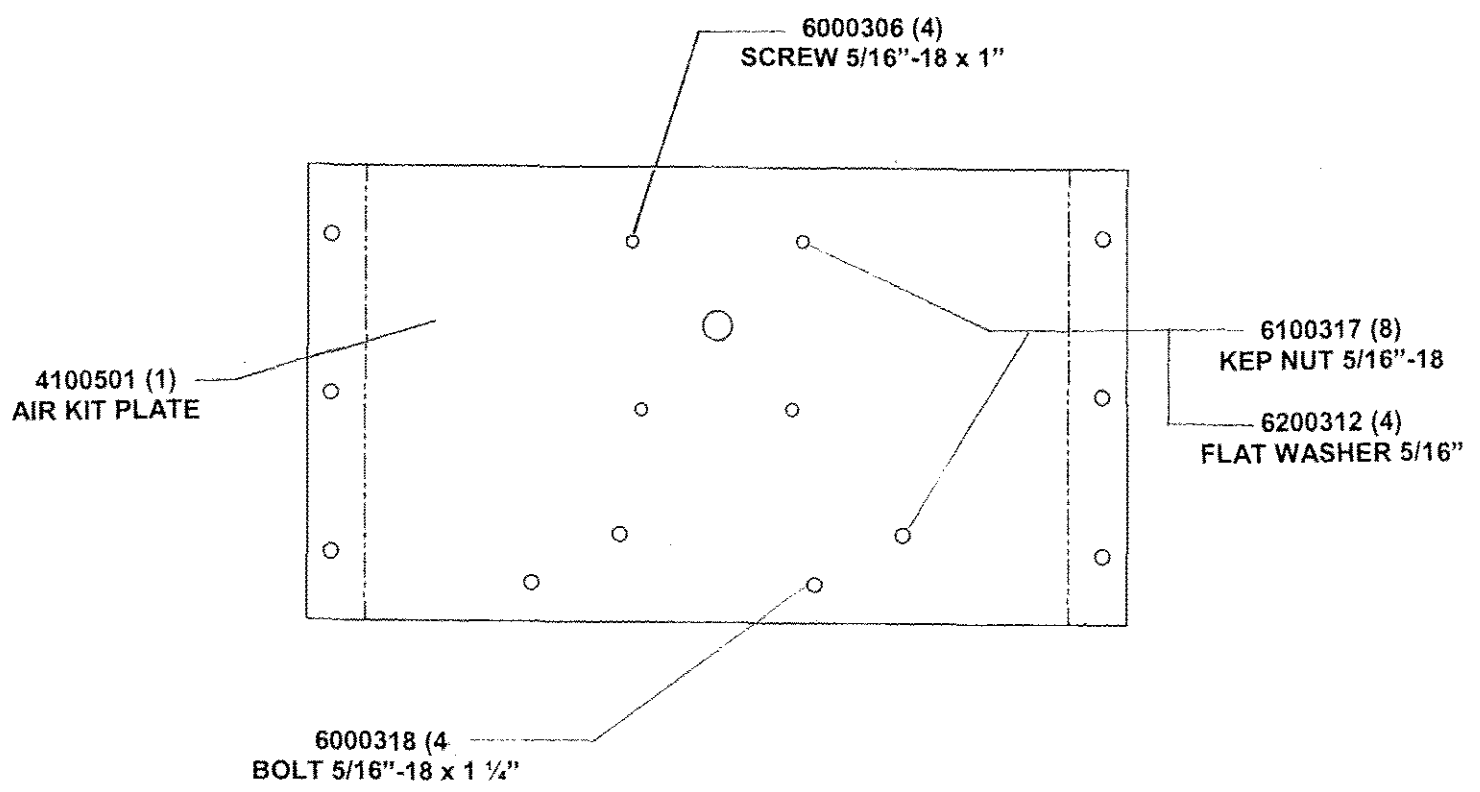
700N127

## FED-EX EAST 28' TRAILER – 2007

### AIR BRAKE HOSE LIST

RSI #	QTY	SIZE	TUBE / HOSE	CONN. 7000212	CONN. 7000213	CONN. 7000214	CONN. 7000215
7000211	4"	5/8"	BLACK				
7000966	380"	3/8"	RED				
7000968	51"	1/2"	BLACK				
7000971	403"	3/8"	BLUE				
7100100	2	7"	7000210		X	X	X
7100101	2	45"	7000210	X			X
7100102	2	48"	7000210	X			X
06-08-07							

# FED-EX EAST 28' TRAILER

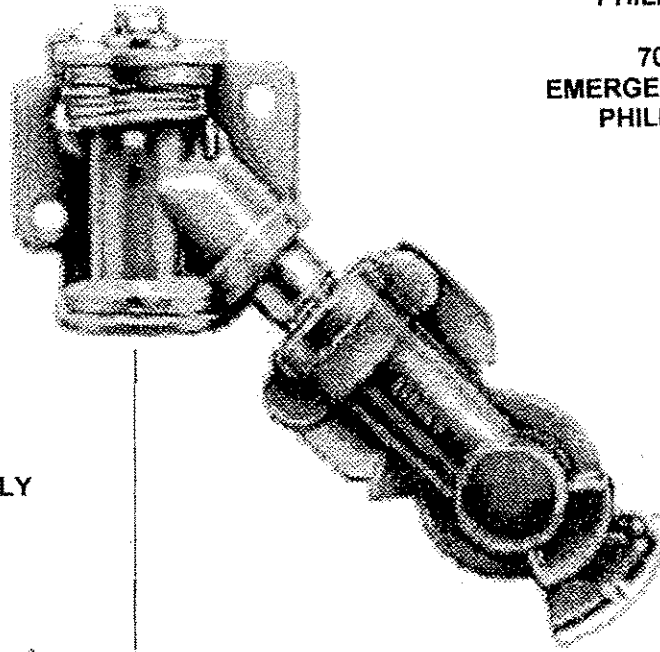


## GLADHAND MOUNTING PLATE ASSEMBLY

**FED-EX EAST 28' TRAILER**

7001255 (1)  
SERVICE GLADHAND  
PHILLIPS 12-4546

7001256 (1)  
EMERGENCY GLADHAND  
PHILLIPS 12-4548



7100100 (2)  
7" HOSE ASSEMBLY

7000134 (2)  
ANCHOR COUPLING  
TRAMEC 50016

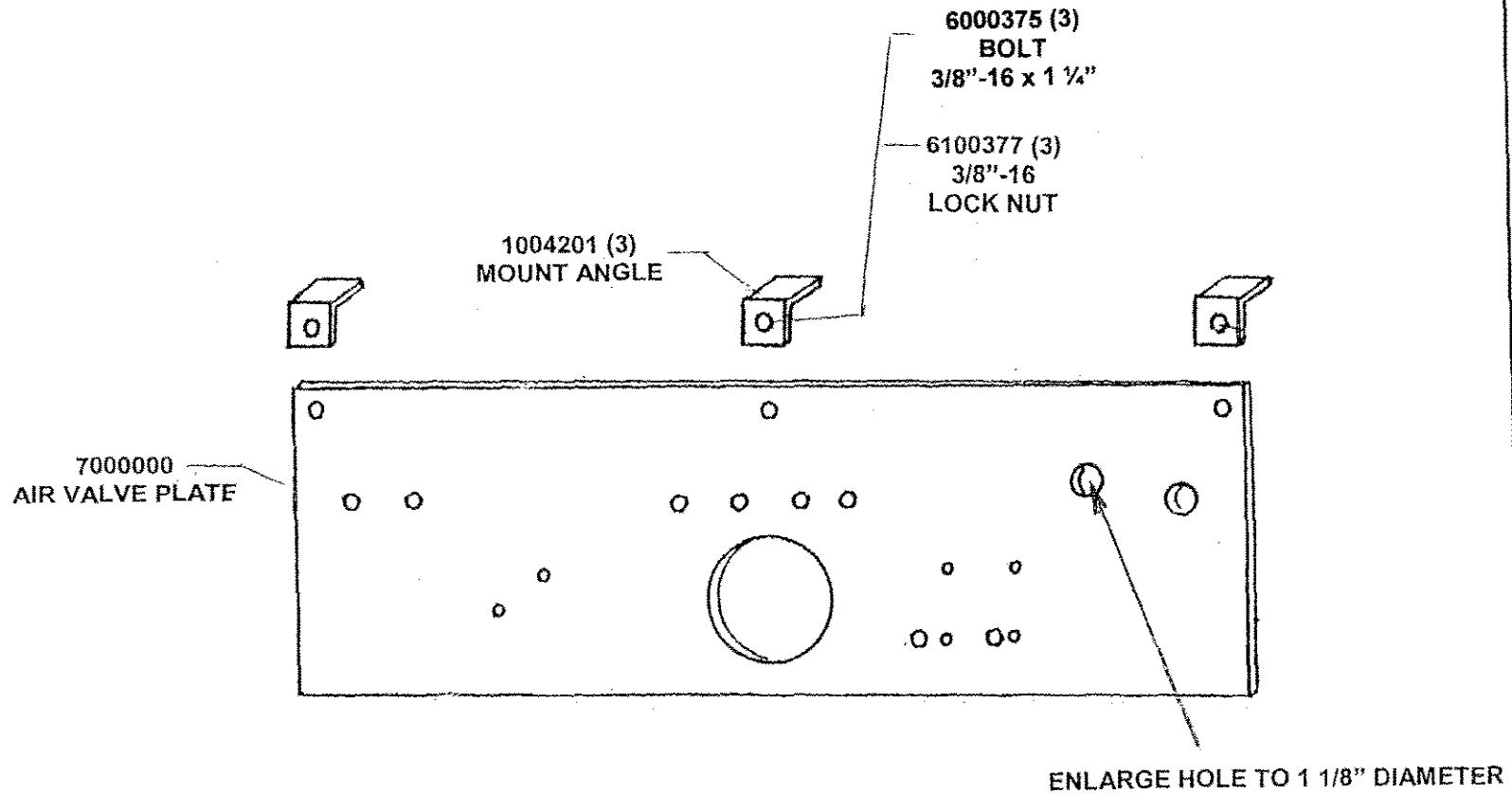


7001249 (2)  
POLY SEAL, GLADHAND  
SLOAN 441739

**FRONT GLADHAND ASSEMBLY**

700N120

# FED-EX EAST 28' TRAILER



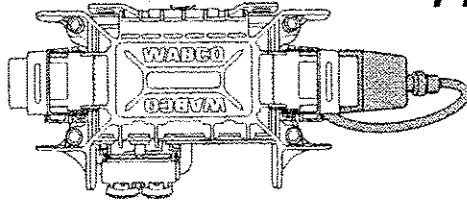
## AIR BRAKE MOUNTING PLATE ASSEMBLY

700N068

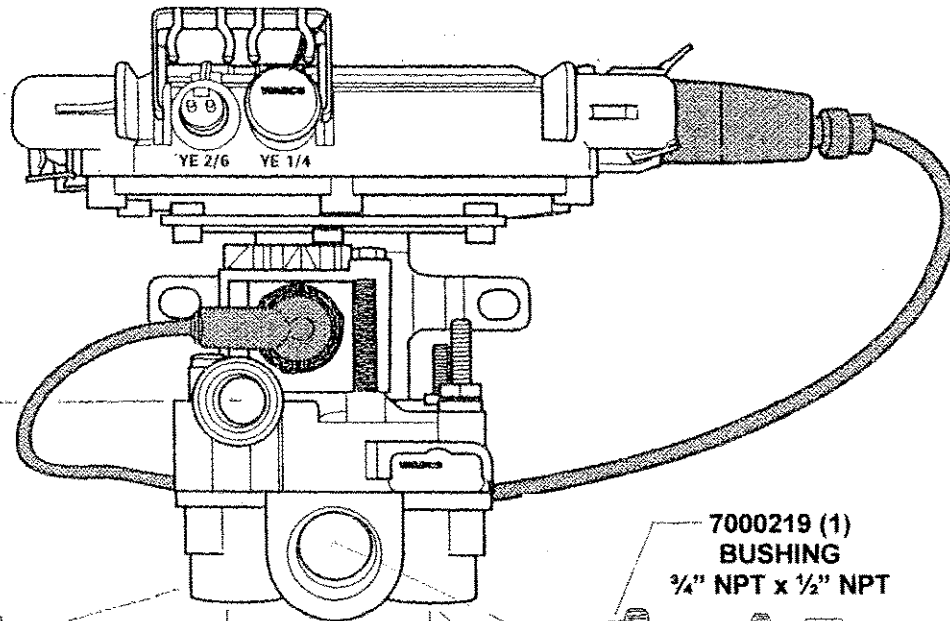


# FED-EX EAST 28' TRAILER

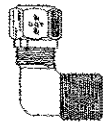
YE1 — CURBSIDE  
YE2 — ROADSIDE



7001229  
MERITOR / WABCO  
ABS MODULE  
S 400 500 1010



7045008  
PARKER  
279NTA-6-6



7000856  
3/8" PIPE PLUG



6000376 (2)  
BOLT  
3/8"-16 x 1"

6100377 (2)  
NUT  
3/8"-16 NYLOK

6200376 (4)  
WASHER  
3/8" FLAT

7000219 (1)  
BUSHING  
3/4" NPT x 1/2" NPT



7000218 (1)  
PARKER  
68NTA-10-8



7000851 (2)  
3/8" PIPE PLUG



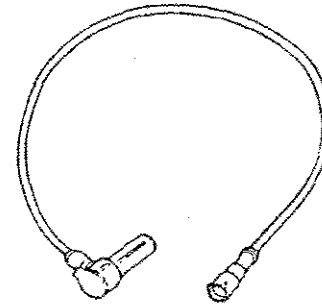
## MERITOR ABS VALVE ASSEMBLY

700N128

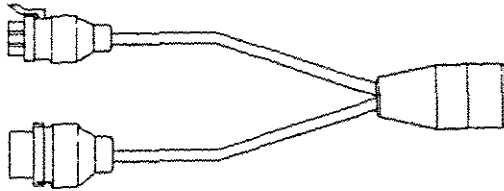
## FED-EX EAST 28' TRAILER



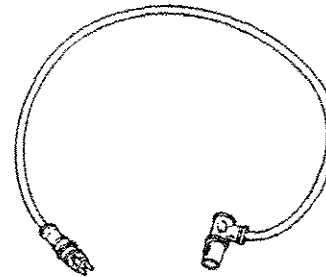
7001224 (2)  
CLIP, ABS SENSOR  
899-759-8154



7001218 (2)  
ABS SENSOR  
441-032-8080



7001250 (1)  
POWER HARNESS  
WITH DIAGNOSTIC  
WABCO S449 364 150 0

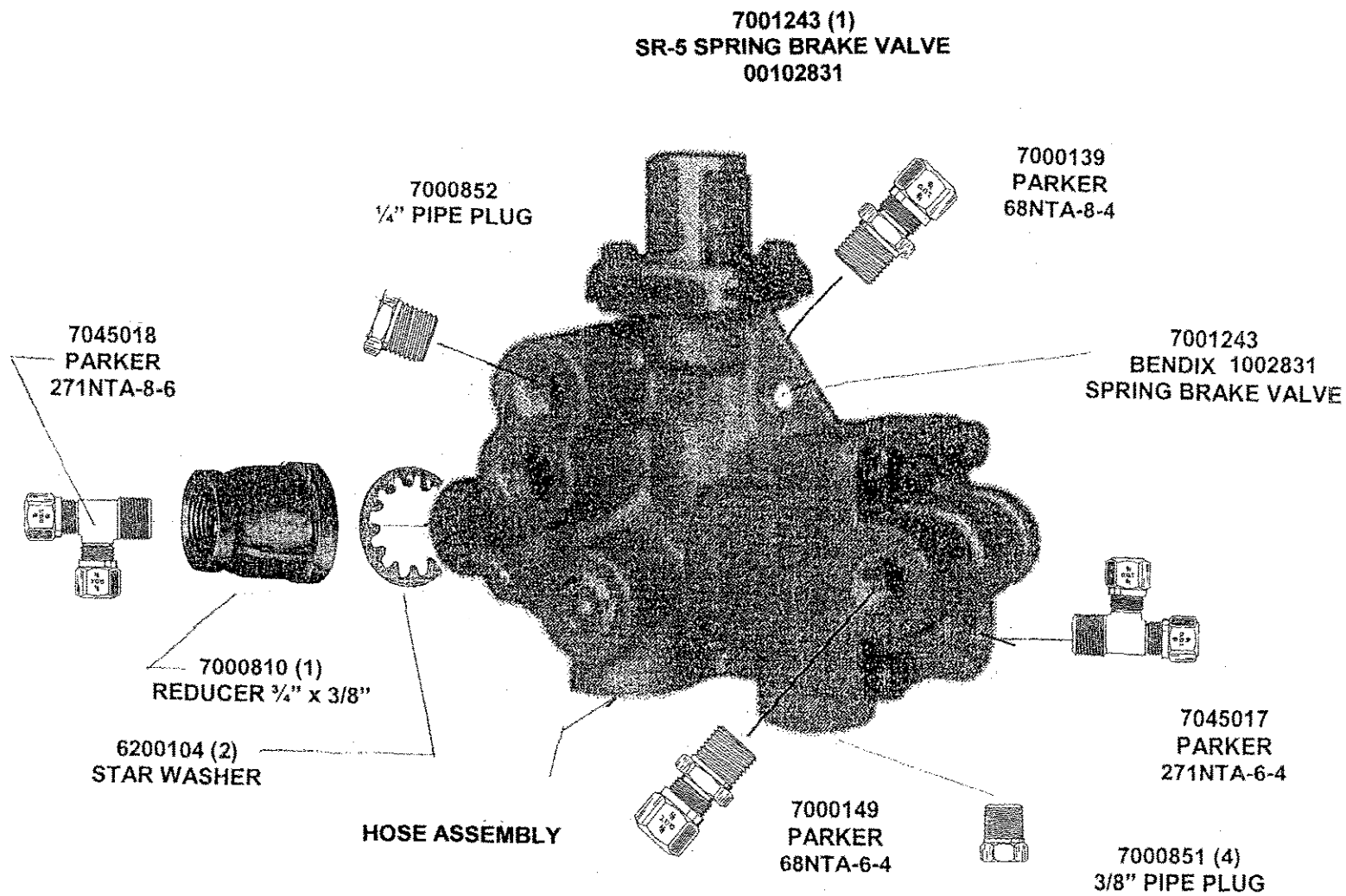


7001223 (2)  
SENSOR HARNESS  
449-713-0180 - 72"

## ABS ELECTRICAL COMPONENTS

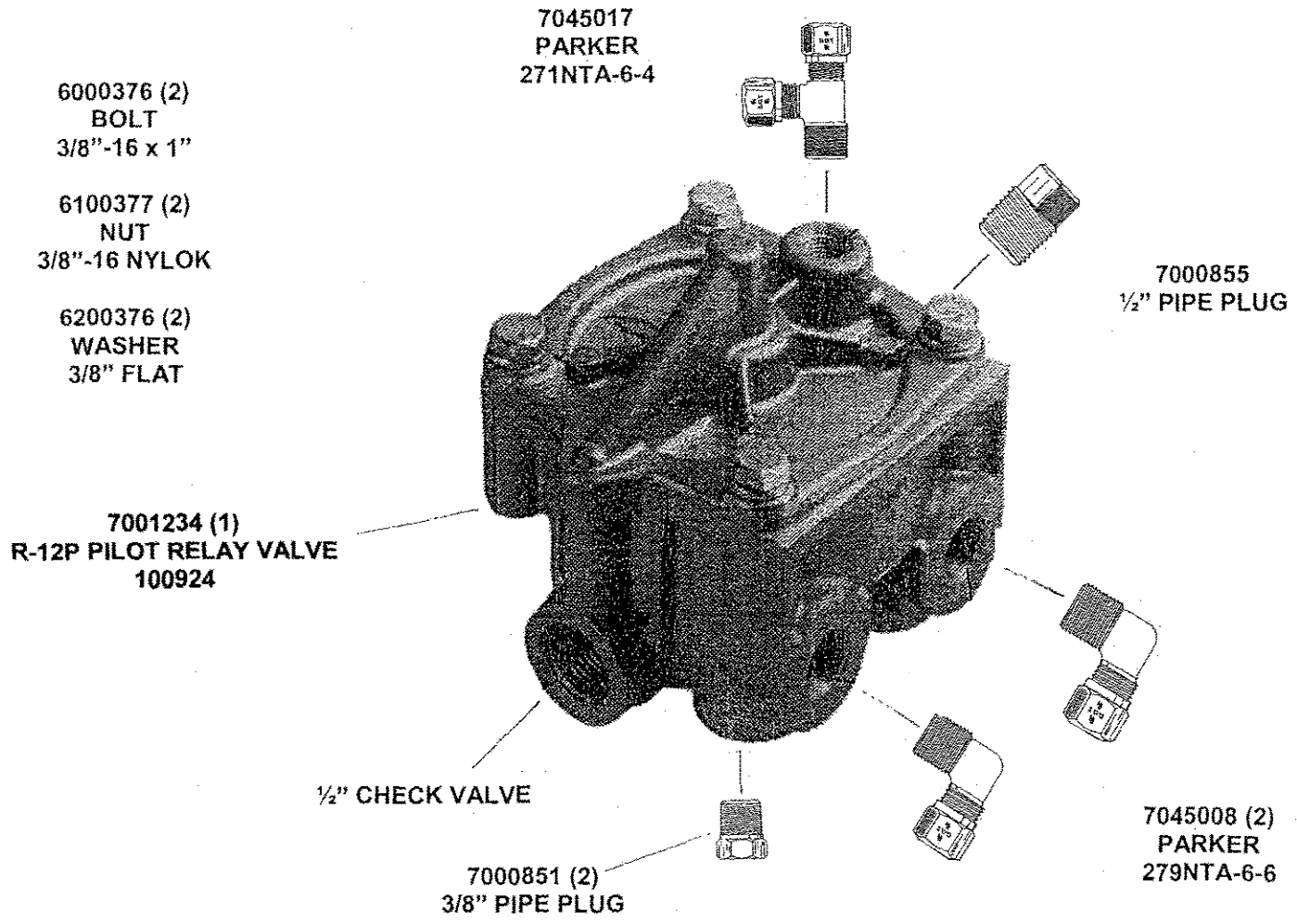
700N130

# FED-EX EAST 28' TRAILER

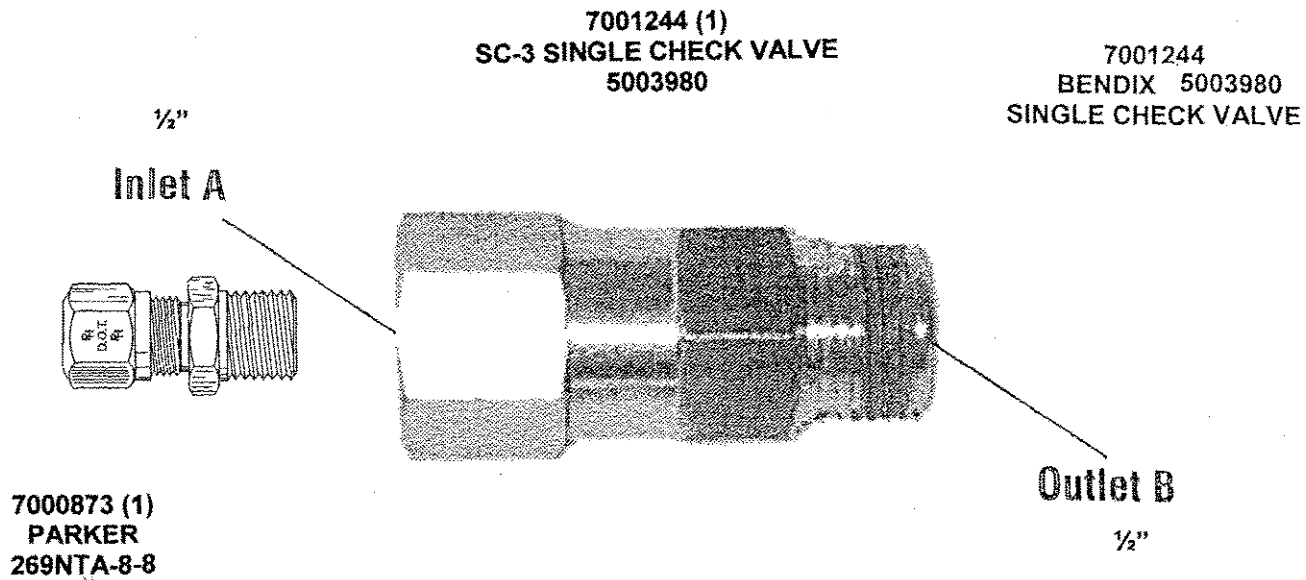


SR-5 Trailer Spring Brake Valve

# FED-EX EAST 28' TRAILER

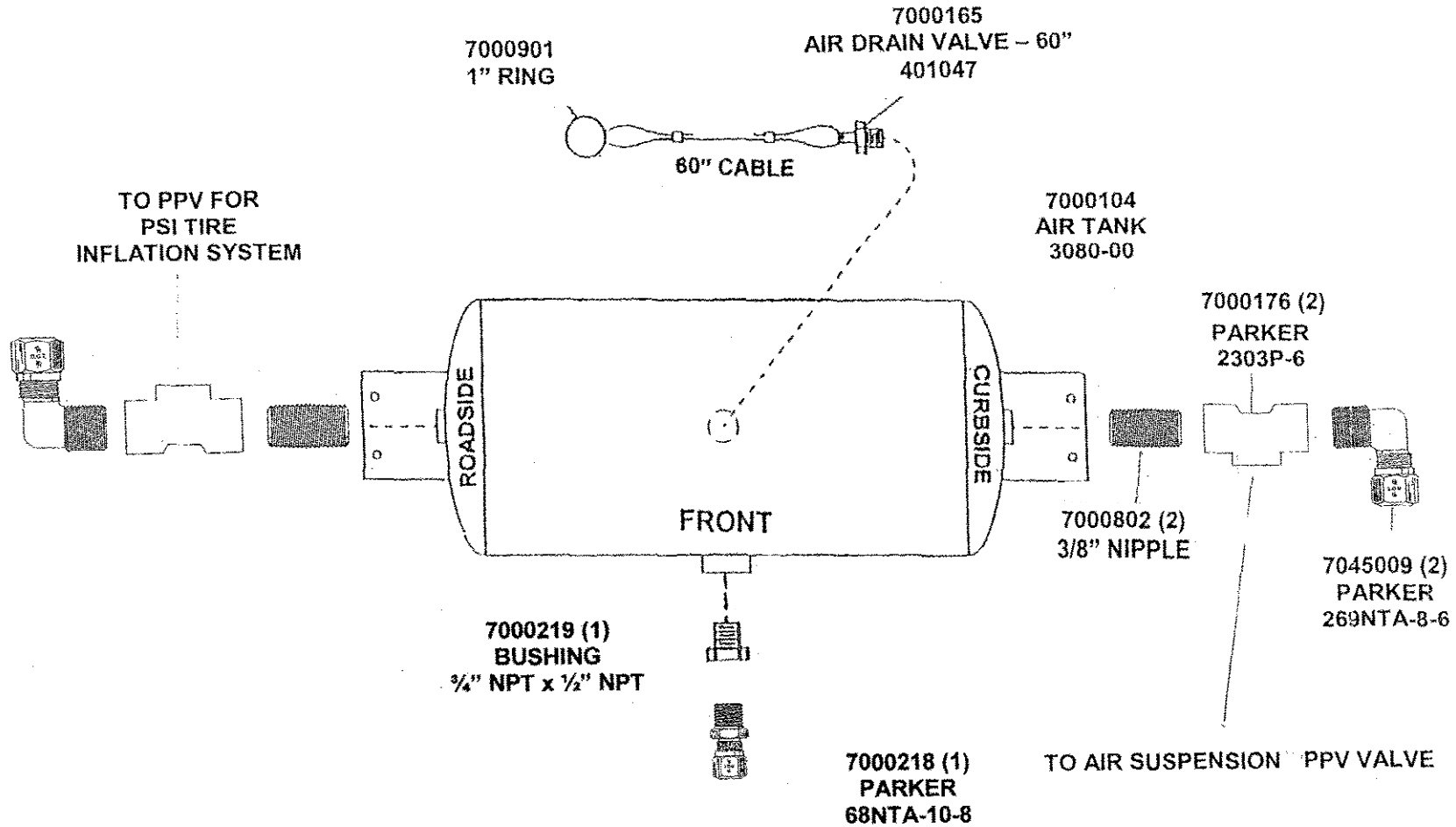


# FED-EX EAST 28' TRAILER



Single Check Valves – SC-3

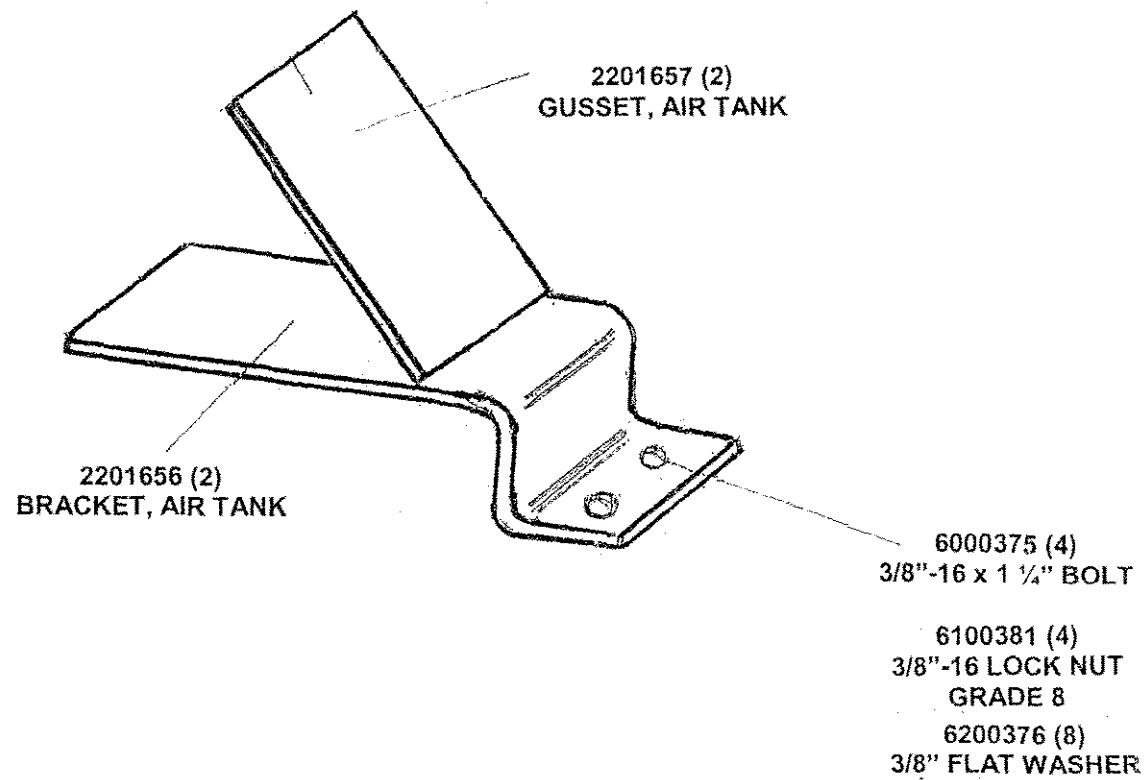
# FED-EX EAST 28' TRAILER



## AIR TANK AND FITTINGS

700N129

## FED-EX EAST 28' TRAILER



## AIR TANK MOUNTING BRACKETS

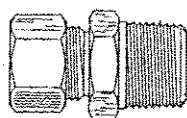
210N766

# FED-EX EAST 28' TRAILER

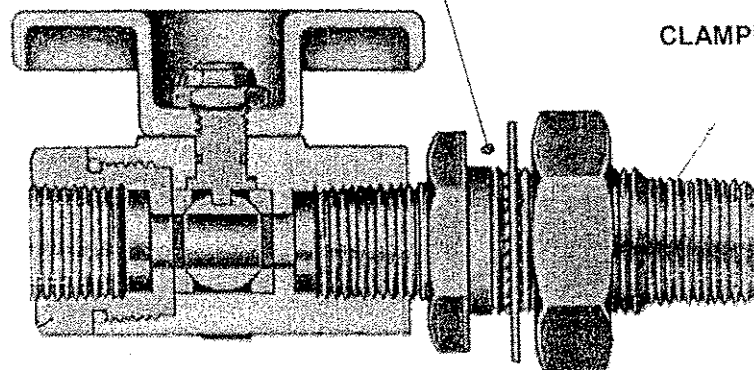
2100256 (1)  
GLADHAND  
MOUNTING  
BRACKET

2100256  
BRACKET  
GLADHAND

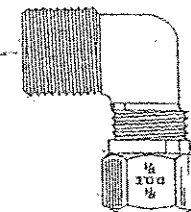
7000188 (1)  
TRAMEC 50001  
CLAMPING STUD



7000144 (1)  
PARKER  
68NTA-6-8



7001245 (1)  
C-5 VENTED SHUT OFF  
BENDIX 106118



7045008 (1)  
PARKER  
269NTA-6-6

## EMERGENCY CUT-OUT VALVE ASSEMBLY

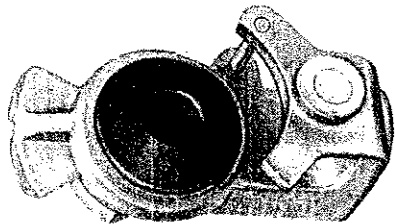
700N125



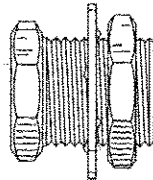
# FED-EX EAST 28' TRAILER

2100256 (1)  
GLADHAND  
MOUNTING  
BRACKET

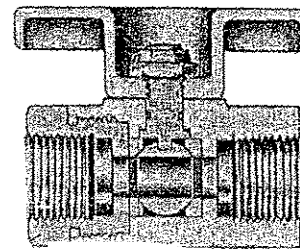
7001241 (1)  
TRAMEC  
56121



7000172 (1)  
PARKER  
207ACBH-8



7001245 (1)  
C-5 VENTED SHUT OFF  
BENDIX 106118



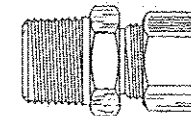
7000871 (1)  
PARKER  
215PN-8



7000871 (1)  
PARKER  
215PN-8



7000144 (1)  
PARKER  
68NTA-6-8

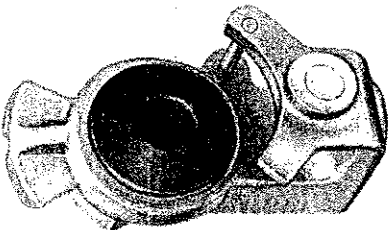


## REAR SERVICE GLADHAND ASSEMBLY

700N131

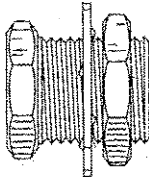
**FED-EX EAST 28' TRAILER**

**2100256 (1)  
GLADHAND  
MOUNTING  
BRACKET**



**7001242 (1)  
TRAMEC  
56221**

**7000871 (1)  
PARKER  
215PN-8**



**7000172 (1)  
PARKER  
207ACBH-8**

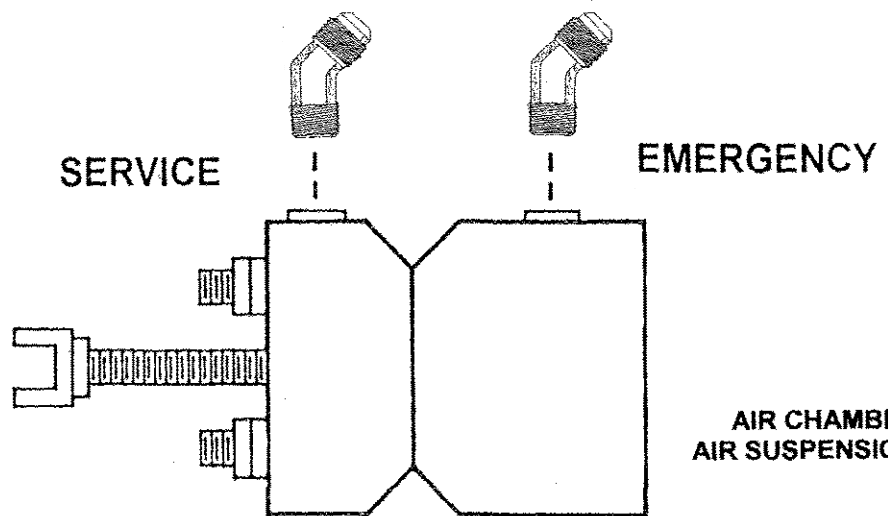
**7000144 (1)  
PARKER  
68NTA-6-8**



**REAR EMERGENCY GLADHAND ASSEMBLY**

**FED-EX EAST 28' TRAILER**

700216 (4)  
PARKER  
159F-6-6

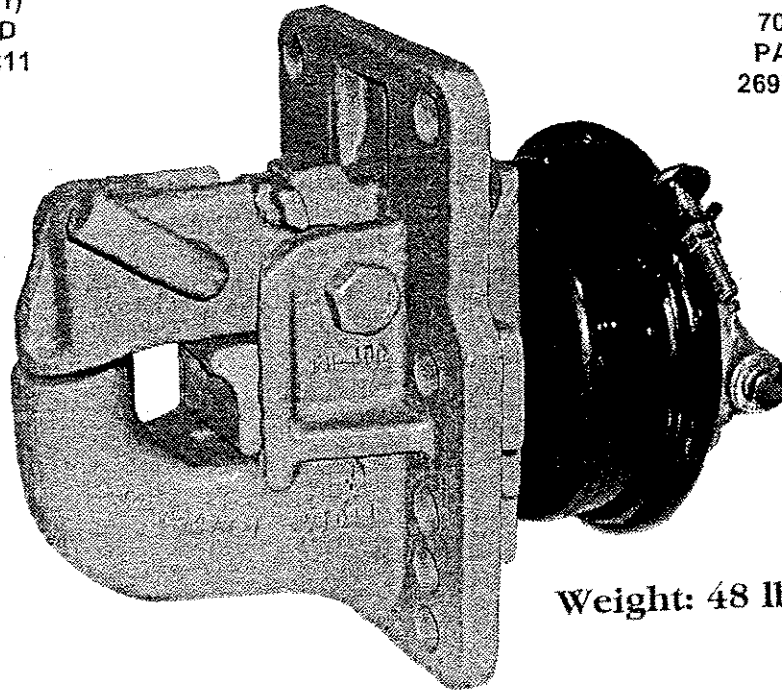


AIR CHAMBERS ARE PART OF  
AIR SUSPENSION / AXLE ASSEMBLY

**AIR BRAKE CHAMBER & CONNECTORS**

2100264 (1)  
HOLLAND  
PH-410RC11

7000145  
PARKER  
269NTA-6-4



3/8" PIPE PLUG  
INCLUDED WITH P-HOOK

Weight: 48 lbs.

600N000 (1.5)  
FASTENER KIT

6000755 3/4"-16 x 3" BOLT (6)  
6100755 3/4"-16 NUT (6)  
6200751 3/4" FLAT WASHER (12)

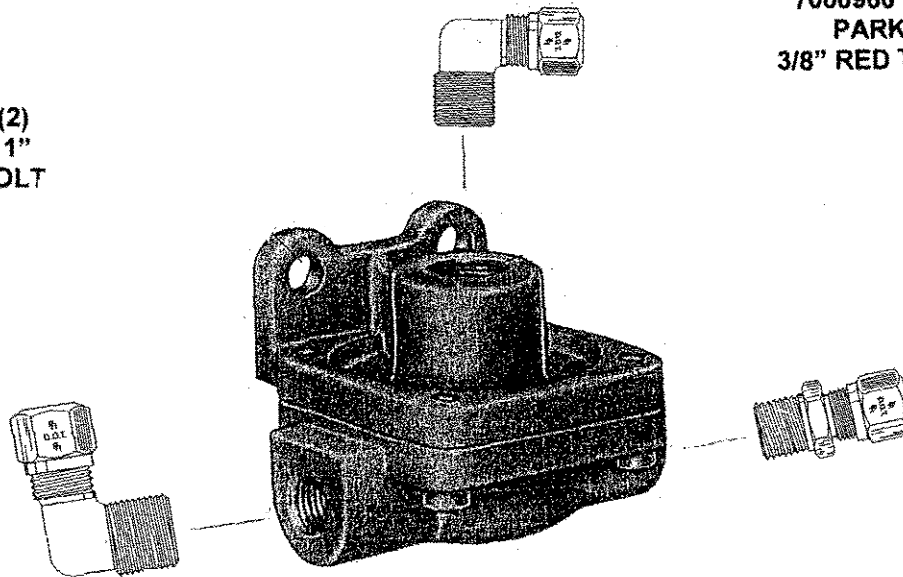
INSTALL WITH NUTS ON OUTSIDE

## PINTLE HOOK ASSEMBLY

220N023

# FED-EX EAST 28' TRAILER

6000300 (2)  
3/8"-18 x 1"  
ROLAC BOLT



7000966 (.5 LF)  
PARKER  
3/8" RED TUBING

7000141 (1)  
PARKER  
68NTA-6-6

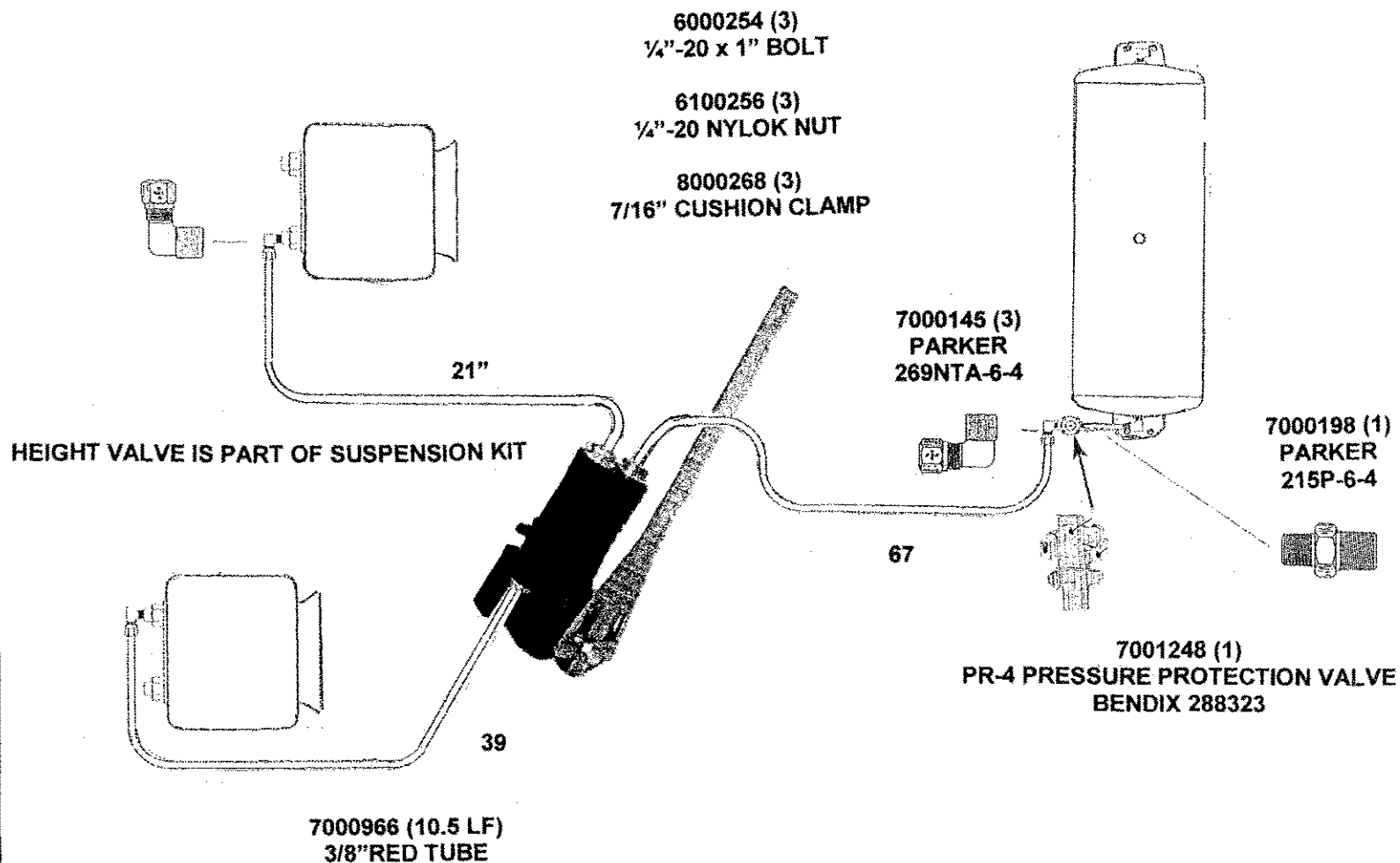
7045008 (2)  
PARKER  
269NTA-6-6

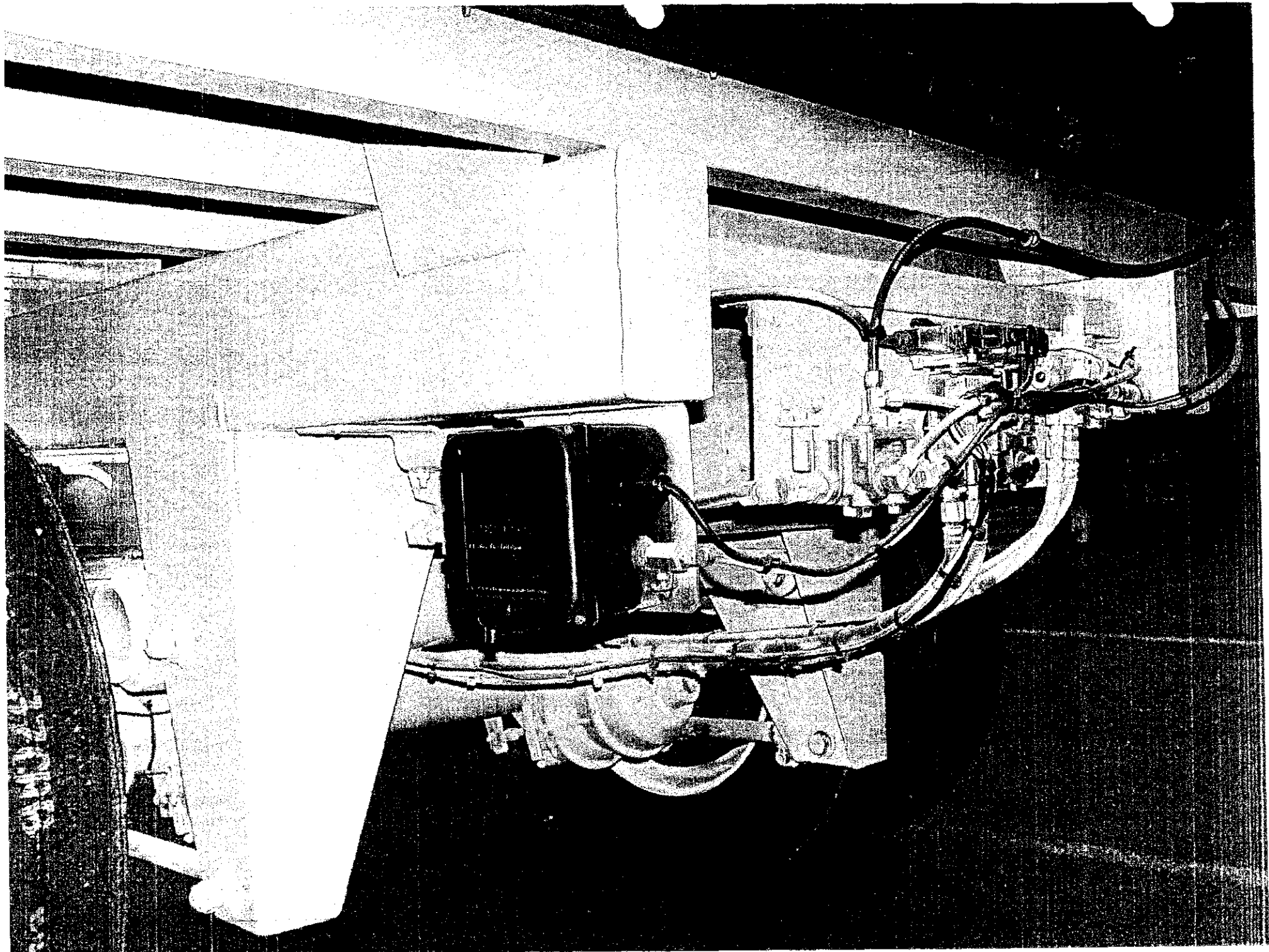
7001246 (1)  
QR-1 QUICK RELEASE VALVE  
BENDIX 229859

QR-1 Quick Release Valve  
PINTLE HOOK ASSEMBLY

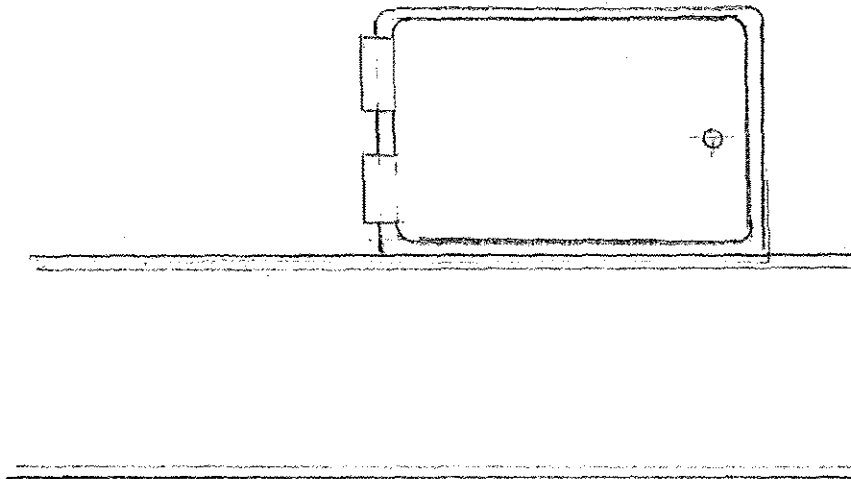
700N126

# AIR BAG CONNECTOR & HOSE ASSEMBLY FED-EX EAST 28' TRAILER





**FED-EX EAST 28' TRAILER**



**PSI CONTROL  
BOX LOCATION**

**MOUNTING BRACKET  
WELDED TO CHANNEL**

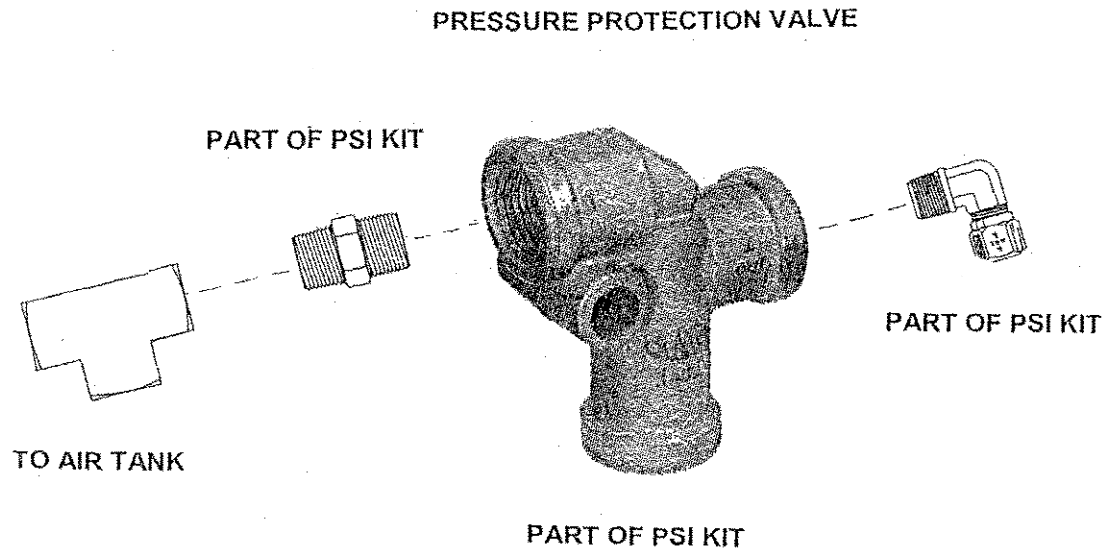
**MOUNT ON FRONT END OF BOGIE I-BEAM**

**PSI TIRE INFLATION ASSEMBLY  
CONTROL BOX MOUNTING LOCATION**

240M013



**FED-EX EAST 28' TRAILER**

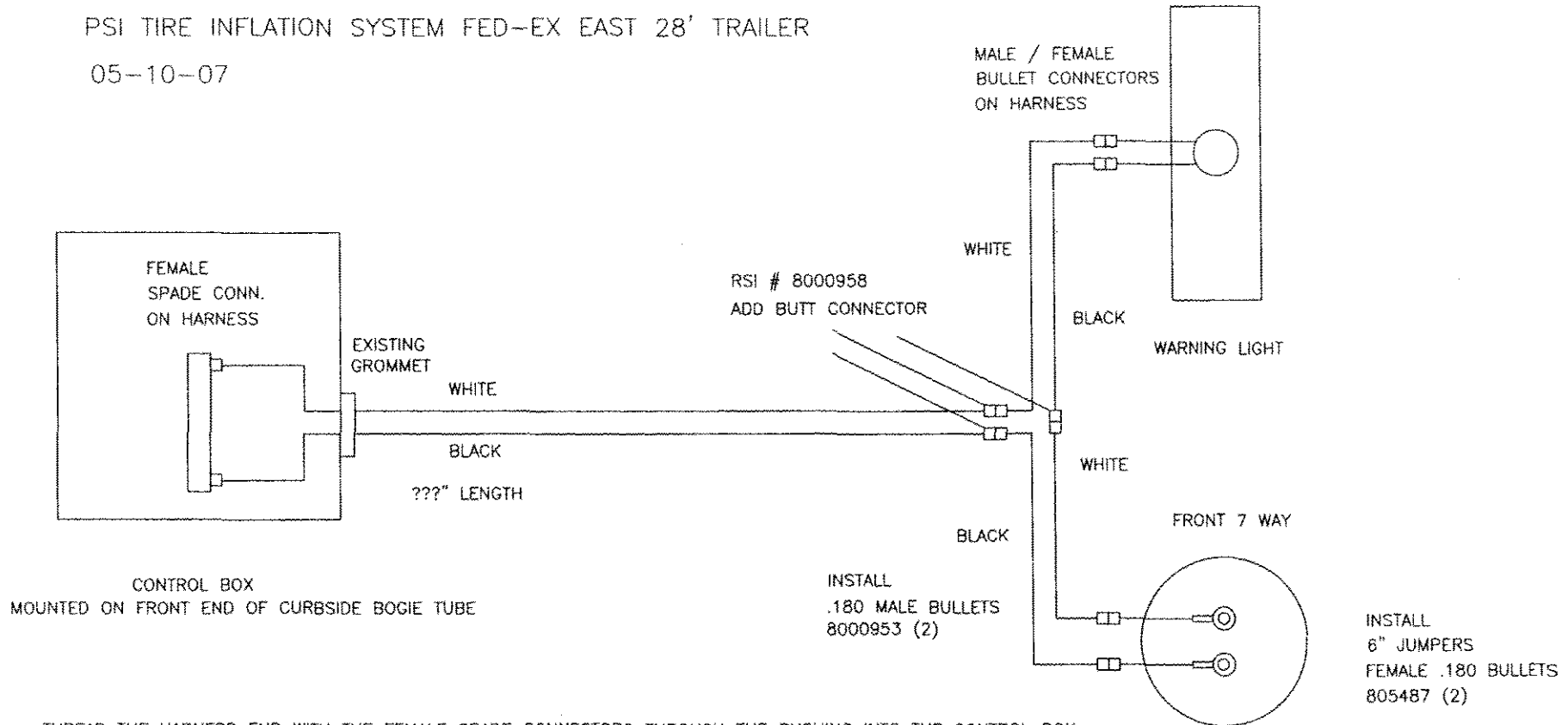


**PSI TIRE INFLATION ASSEMBLY  
PRESSURE PROTECTION VALVE ASSEMBLY**

# FED-EX EAST 28' TRAILER

PSI TIRE INFLATION SYSTEM FED-EX EAST 28' TRAILER

05-10-07

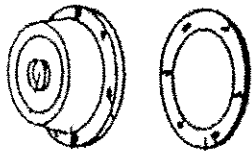


THREAD THE HARNESS END WITH THE FEMALE SPADE CONNECTORS THROUGH THE BUSHING INTO THE CONTROL BOX.  
 CONNECT THE SPADE CONNECTORS TO THE TERMINALS ON THE PRESSURE VALVE. TIGHTEN THE HARNESS BUSHING RETAINING NUT.  
 ROUTE THE HARNESS ALONG THE AIR KIT PLATE TUBING AND UP INTO THE ELECTRICAL HAT SECTION FORWARD TO THE UPPER COUPLER POCKET,  
 PULL THE HARNESS TOWARD THE UPPER COUPLER, TO REMOVE SLACK.  
 PULL THE HARNESS THROUGH THE UPPER COUPLER, TO JUST BELOW THE WARNING LIGHT LOCATION ON THE FORWARD WALL.  
 INSTALL THE WARNING LIGHT AT THE FRONT OF THE TRAILER, PLUG IN THE HARNESS AND ROUTE IT DOWN INTO THE UPPER COUPLER POCKET.  
 CUT THE HARNESS, LEAVING ENOUGH TO MAKE THE ELECTRICAL CONNECTIONS IN THE UPPER COUPLER POCKET AS DESCRIBED IN THE DRAWING.  
 INSTALL MALE .180 BULLET CONNECTORS TO ONE END OF THE REMAINING PIECE OF HARNESS.  
 INSTALL THE 6" ADAPTOR JUMPERS TO THE FRONT 7-WAY CONNECTOR.  
 PLUG THE .180 MALE BULLET CONNECTORS INTO THE 6" ADAPTOR JUMPERS AND ROUTE THE HARNESS DOWN INTO THE UPPER COUPLER POCKET  
 AND OVER TO THE WARNING LIGHT LOCATION.  
 THE BLACK WIRE CONNECTS TO THE BLUE WIRE ON THE 7-WAY, THE WHITE TO WHITE.  
 USE BUTT CONNECTORS TO CONNECT THE WHITE WIRE FROM THE 7-WAY TO THE BLACK WIRE FROM THE LIGHT.  
 THE BLACK WIRE FROM THE 7-WAY TO THE BLACK WIRE FROM THE PRESSURE SWITCH.  
 THE WHITE WIRE FROM THE LIGHT TO THE WHITE WIRE TO THE PRESSURE SWITCH.  
 OVER WRAP BUTT CONNECTORS WITH PUTTY TAPE.

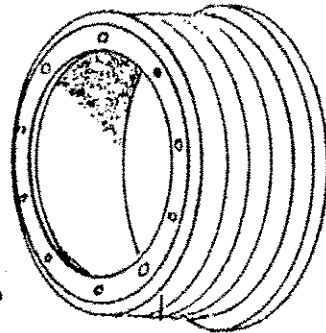
240M009

# FED-EX EAST 28' TRAILER

600N001 (1)  
HUB CAP FASTENERS



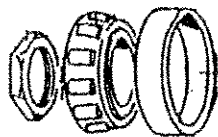
2200063 (2)  
GASKET, HUB CAP  
STEMCO 3303118



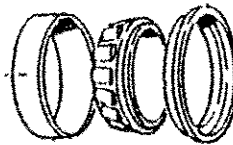
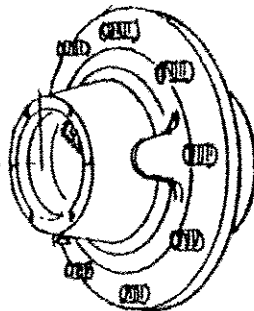
HUB CAP - PSI READY (2)  
STEMCO 343-4372

2201660 (2)  
HUB & DRUM COMB.  
MERITOR 14-15968-1140x10

NUT, AXLE (2)  
CASTELLATED  
MERITOR SWP-A

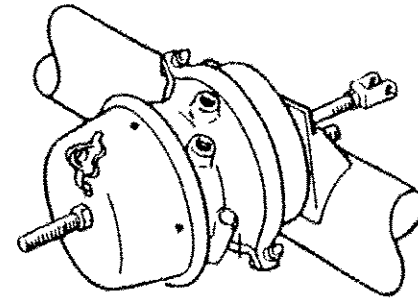


2200082 (4)  
WHEEL BEARING  
HYATT HM518445



2200061 (2)  
WHEEL SEAL, GUARDIAN  
STEMCO 307-0723

2201659 (2)  
AIR CHAMBER  
MGM 3030 LONG STROKE  
3230051X

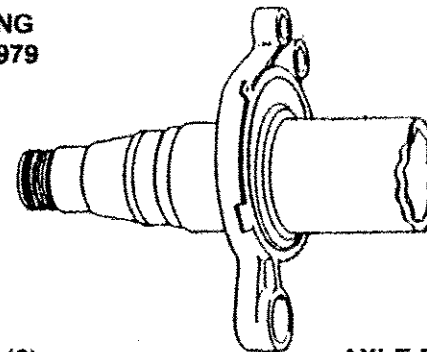


2200019 (2)  
CLEVIS  
HALDEX CF2

2200031 (2)  
BRACKET  
HALDEX 427-10569

BRAKE LINNING (4)  
ABEX 3030-197  
SOR215 LONGLIFE

2200049 (2)  
SLACK 5.5" LONG  
HALDEX 409-10979

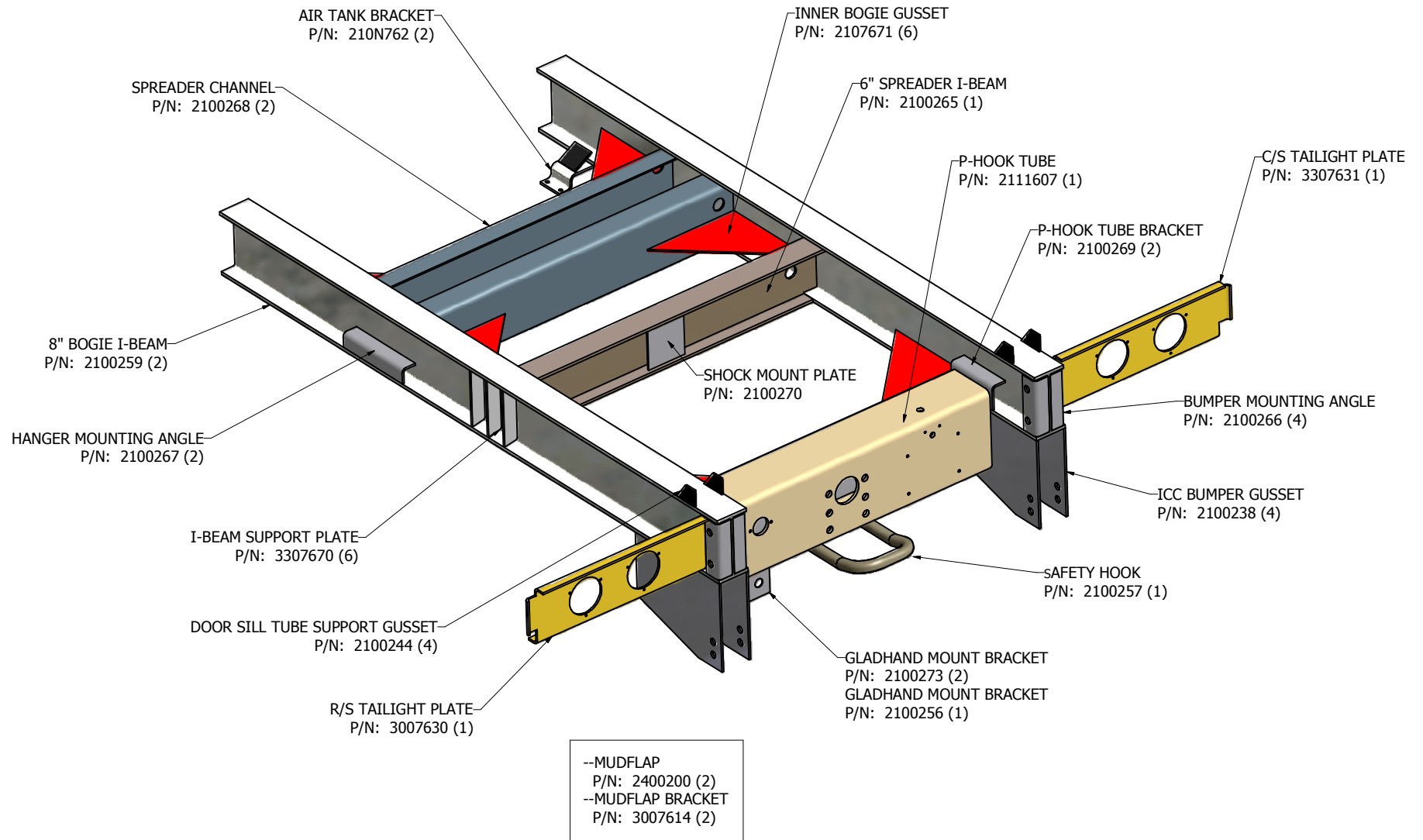


AXLE BEAM  
MERITOR  
C19 3273Q199A

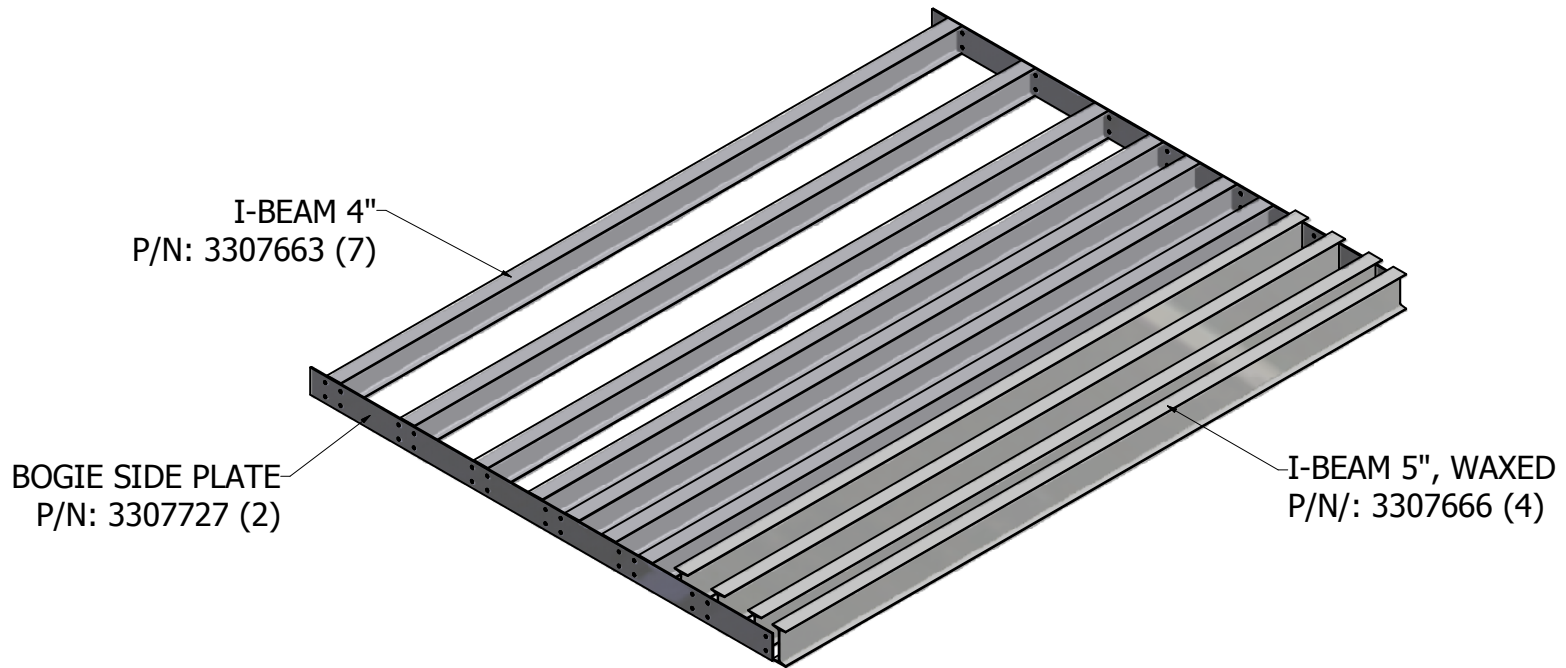
## AXLE ASSEMBLY

# BOGIE FRAME ASSEMBLY

FED-EX EAST 28'



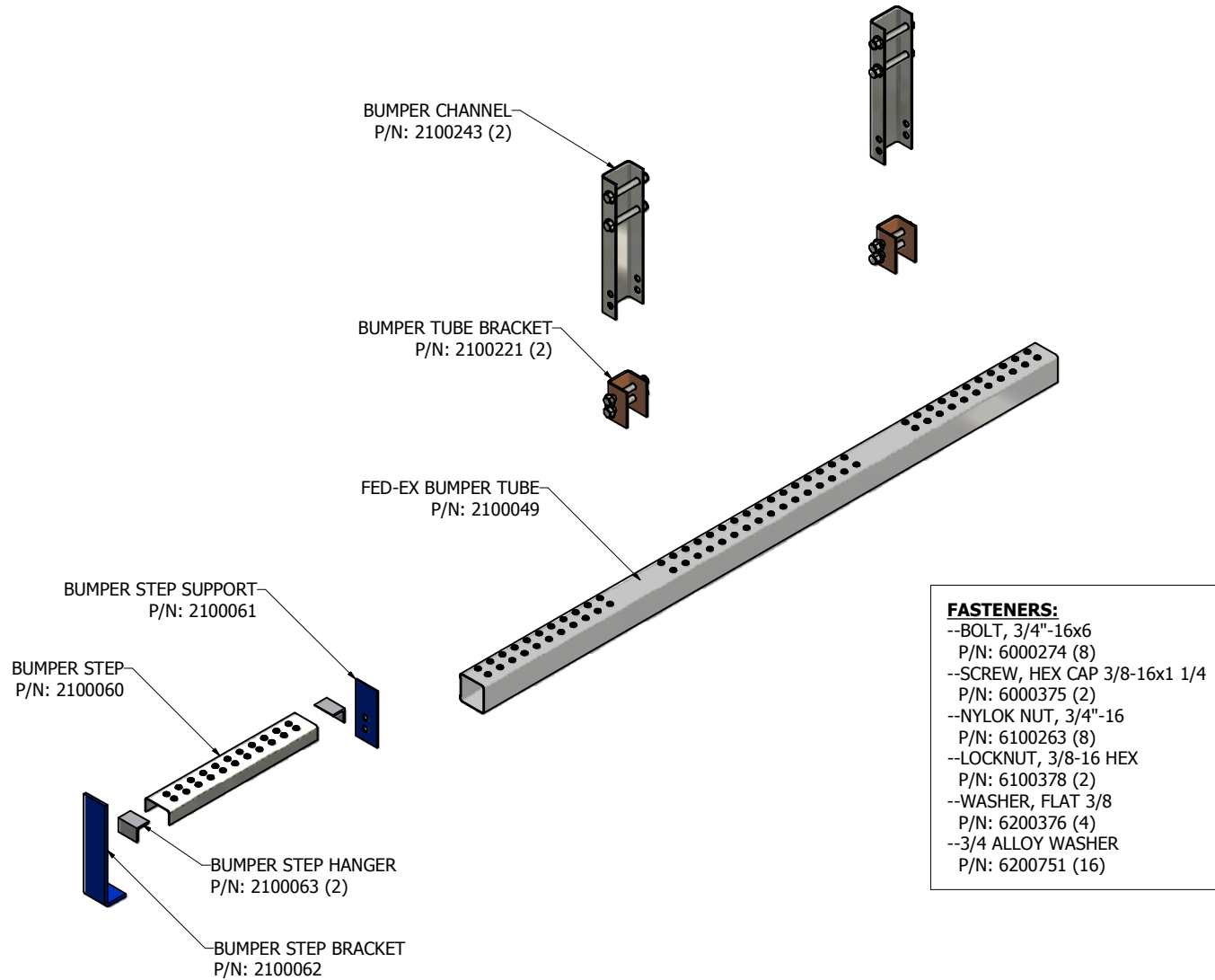
**BOGIE SUB FRAME DETAILS**  
**FED-EX 28'**



# BUMPER ASSEMBLY

## FED-EX 28'

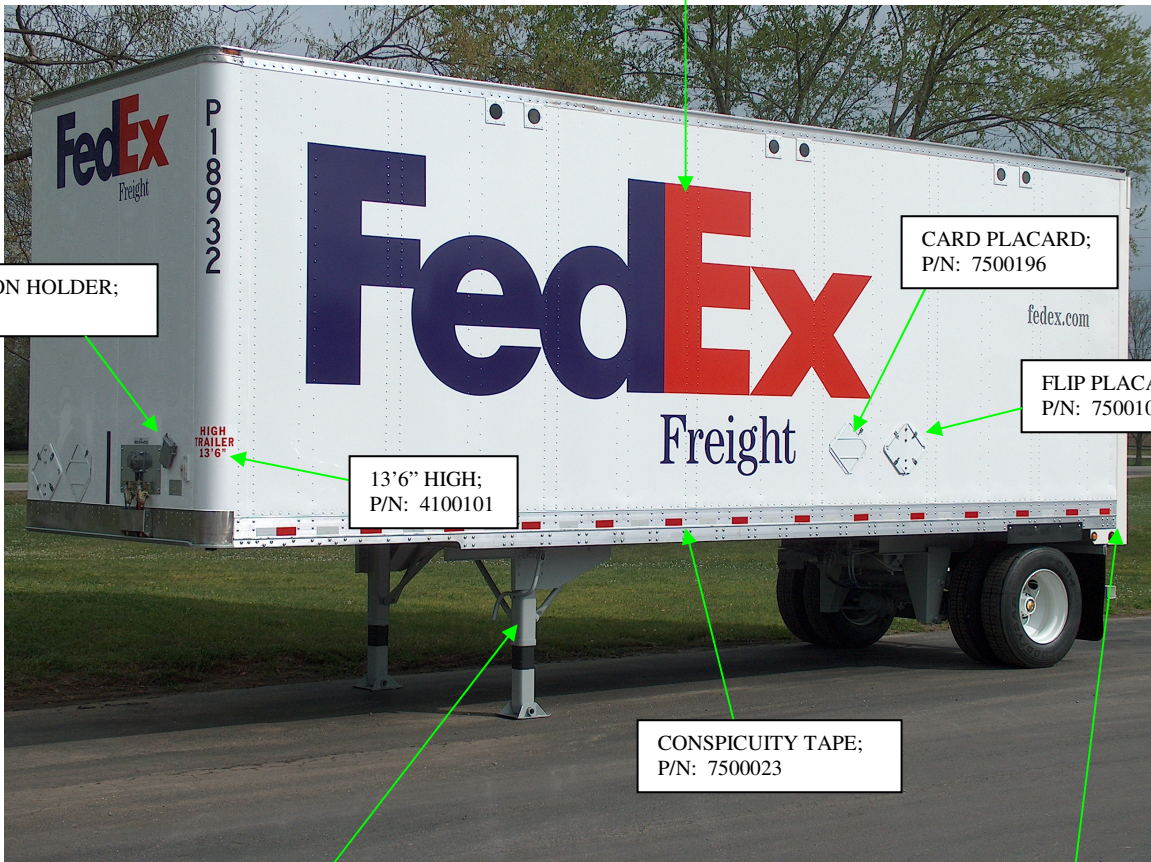
COMPLETE ASSEMBLY P/N: 210N039



# DECALS

## FED-EX EAST 28'

FED-EX EAST DECAL KIT;  
P/N: 7500350



REGISTRATION HOLDER;  
P/N: 1008100

CARD PLACARD;  
P/N: 7500196

FLIP PLACARD;  
P/N: 7500108

13'6" HIGH;  
P/N: 4100101

CONSPICUITY TAPE;  
P/N: 7500023

GRAY PAINT;  
P/N: 7500655

WHITE PAINT;  
P/N: 7500648

BLACK PRP;  
P/N: 7500673

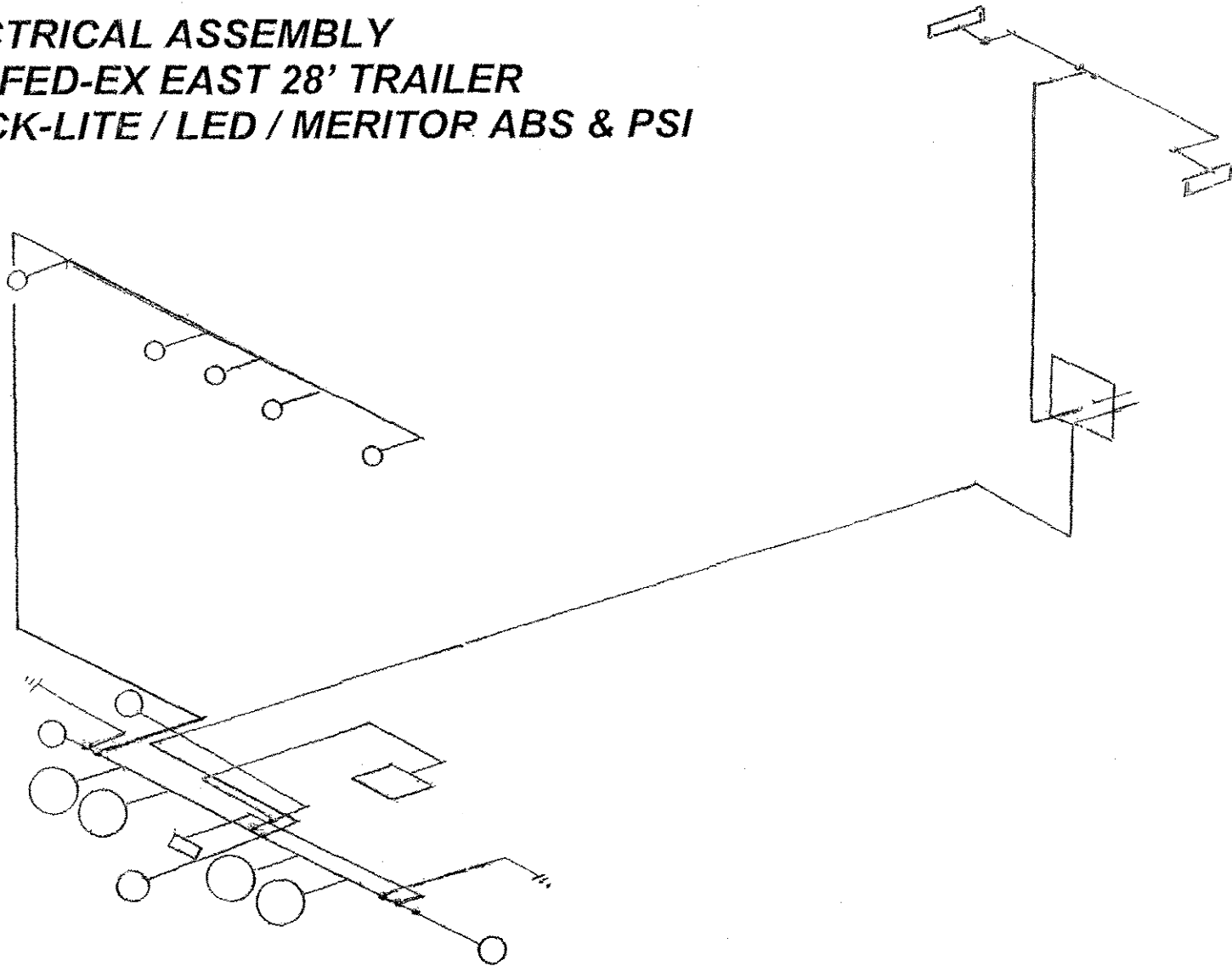
SERVISE DUE DECAL – P/N: 4200105  
WHITE 12" CONSP. TAPE – P/N: 7500026  
SCOTCHAL MARKING FILM – P/N: 7500221  
2" RED TAPE – 7500552  
INSPECTION TAG – 7501XXX  
VIN TAG – 7500485  
AIR TANK DRAIN DECAL – P/N: 7500202

# Electrical System

Fed-Ex East 28'



**ELECTRICAL ASSEMBLY**  
**2007 FED-EX EAST 28' TRAILER**  
**TRUCK-LITE / LED / MERITOR ABS & PSI**

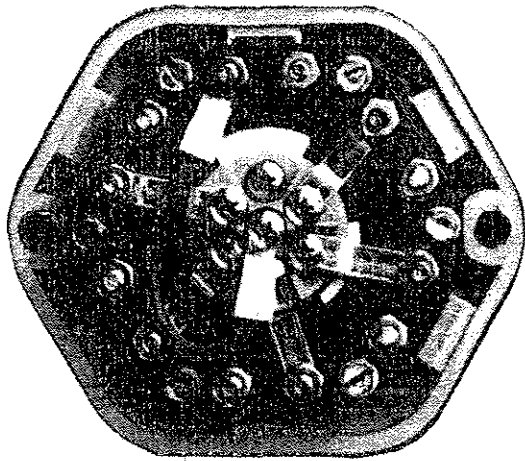


800M034

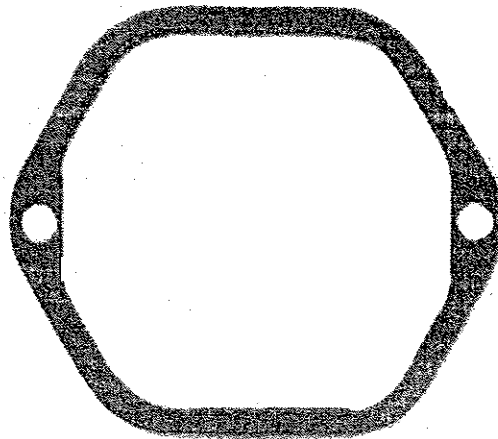
**FORWARD WALL 7-PIN ASSEMBLY  
FED-EX EAST**

TRAMEC  
8000966

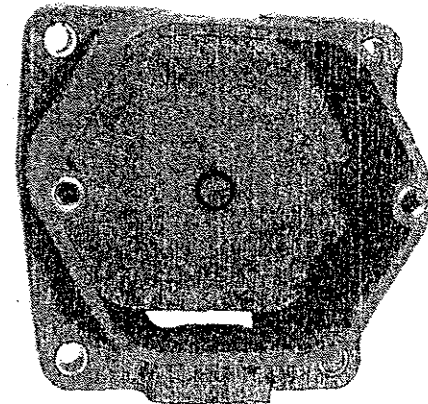
**SOLID PIN**



**Circuit Breakers**



**Self-adhesive  
gasket included  
with all receptacles  
(3820009 Shown)**

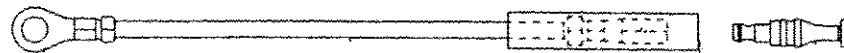


**2007**

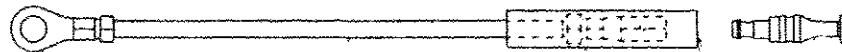
**800N152**

**FED-EX EAST 28' TRAILER**

**8005500 (2)  
6" JUMPER - WHITE  
TRUCK-LITE 96450**



**WITH PLUG**



**WITH PLUG**

**8005499 (2)  
6" JUMPER - BLUE  
TRUCK-LITE 96451**

**PSI & ASSET TRACKING POWER LEADS**

**FORWARD WALL MARKER LIGHT HARNESS  
FED-EX EAST**

8000458 (1)  
GROMMET

8005487 (1)  
6" JUMPER - BLACK  
TRUCK-LITE 96425



8005431 (1)

**96959** License lamp jumper harness

48"



8005464 (1)

**95944** Front marker/clearance harness

60"



8005461 (1)

**97061** Double receptacle jumper harness

108"

**2007**

800N161

**FORWARD WALL MARKER LIGHTS  
FED-EX EAST**

- SAE PC rated for combination clearance/marker applications
- Must be mounted horizontally

6000234(4)  
SCREW

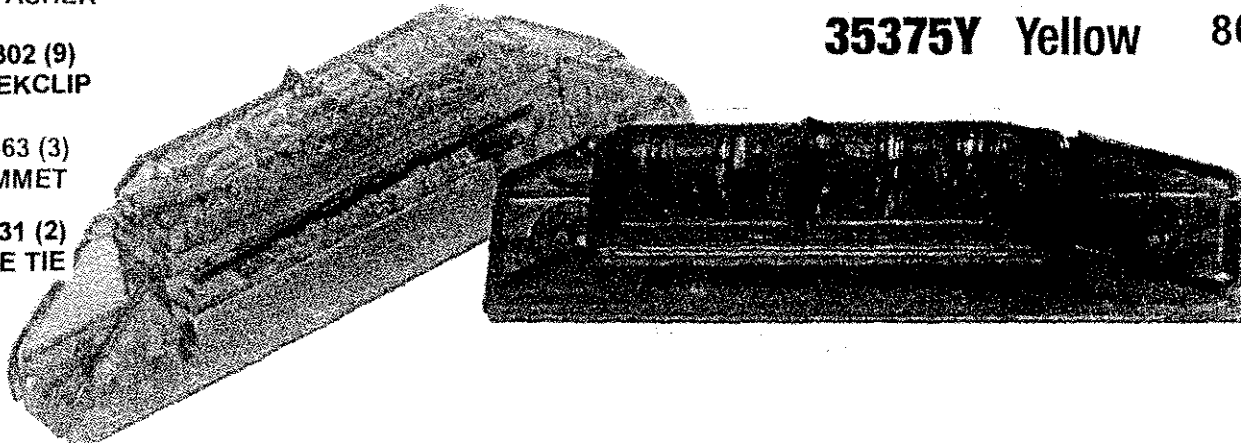
6200103 (2)  
STAR WASHER

8000302 (9)  
3/8" DEKCLIP

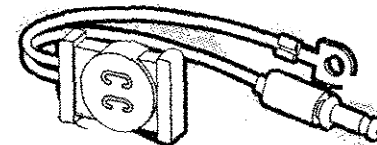
8000463 (3)  
GROMMET

8000931 (2)  
CABLE TIE

**35375Y Yellow 8005433**



8005366 **94718** 1 Ground 4.5" #10 ring terminal White  
2 M/C 5" .180 molded bullet Black



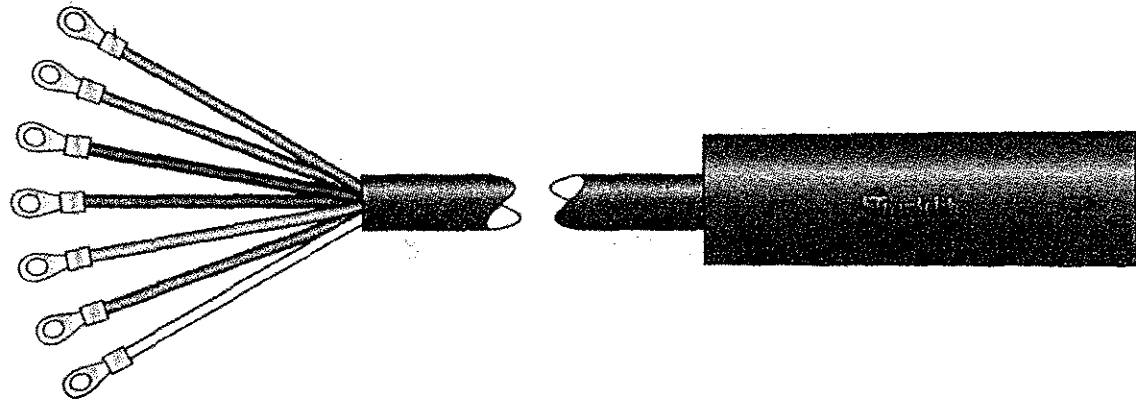
**2007**

800N161

**MAIN HARNESS  
FED-EX EAST**

8000261 (1)  
3/4" CUSHION CLAMP

6300126 (1)  
POP RIVET



8005482  
384"

**7 cond. main cable, 1-10, 6-12 gauge**

**2007**

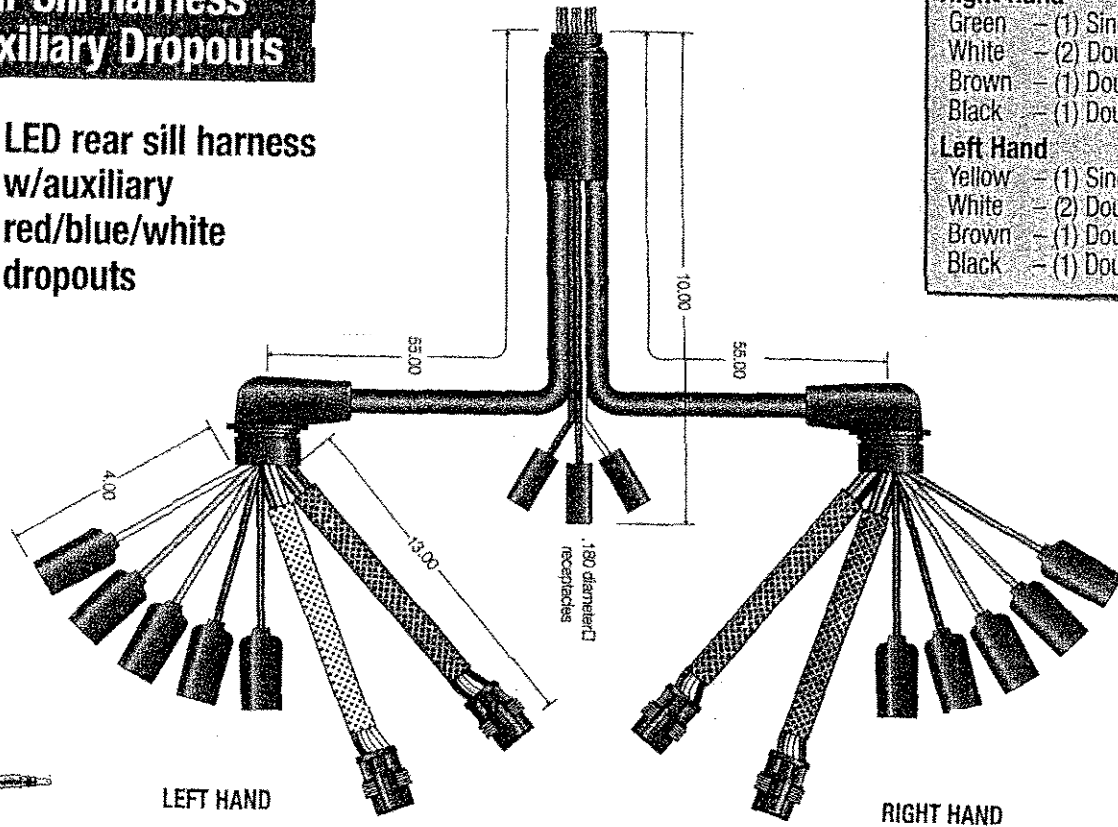
**800M034**

# REAR SILL HARNESS WITH LED & ABS FED-EX EAST

## LED Rear Sill Harness with Auxiliary Dropouts

**88931** LED rear sill harness  
w/auxiliary  
red/blue/white  
dropouts

WIRE COLOR CODING FOR ALL REAR SILL DROPOUTS	
<b>Center (ABS Power)</b>	
Red	- (1) Single - Stop
Blue	- (1) Single - Auxiliary/ABS
White	- (1) Single - Ground
<b>Right Hand</b>	
Green	- (1) Single RH Turn
White	- (2) Double Ground
Brown	- (1) Double Marker or Tail
Black	- (1) Double License or Marker
<b>Left Hand</b>	
Yellow	- (1) Single LH Turn
White	- (2) Double Ground
Brown	- (1) Double Marker or Tail
Black	- (1) Double License or Marker



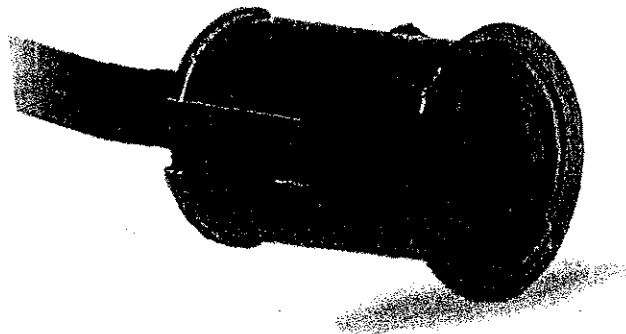
8005432 (2)  
GROUND WIRE  
TRICK-LITE  
94649

**2007**

**8005470**

800N160

# REAR HEADER LIGHT ASSEMBLY FED-EX EAST



8005480  
TRUCK-LITE  
33756R - 130"

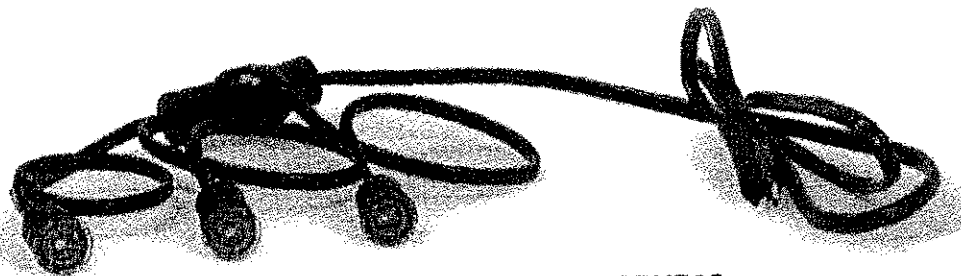
Model 33  
Marka & Clearance  
LED 3/4" Sealed  
Diode Panel

**Material:**

- Polycarbonate lens & housing
- PVC grommet
- Nylon flange
- 16 gauge wire

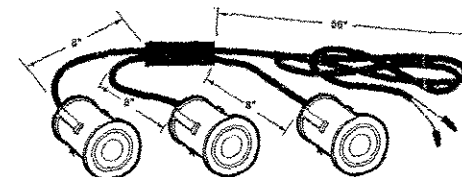
**Light Source:**

- Light Emitting Diodes (LEDs)
- Designed at 14 volts, .05 amp



MINI 33 HARNESS  
5 LIGHTS ON HARNESS

8000302 (3)  
DEK CLIP





**REAR - LOWER MARKER LIGHTS  
FED-EX EAST**

*Mounting grommet*



**80005409 (2)  
GROMMET  
TRUCK-LITE  
10700  
8005486 (2)  
LED LAMP  
TRUCK-LITE  
10275R**

**8000931 (2)  
CABLE TIE**

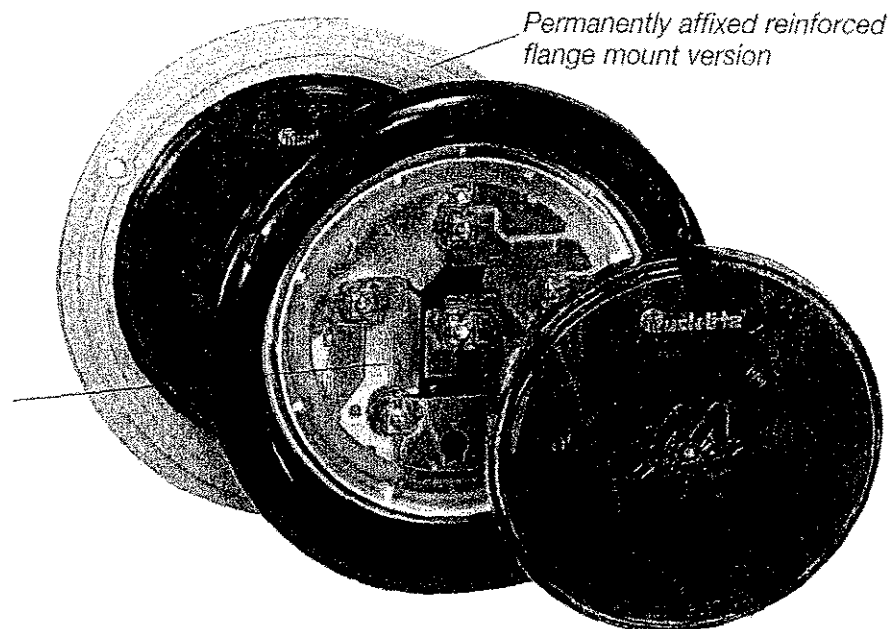
**8005471 (1)  
12" JUMPER  
TRUCK-LITE  
88303-0012"**



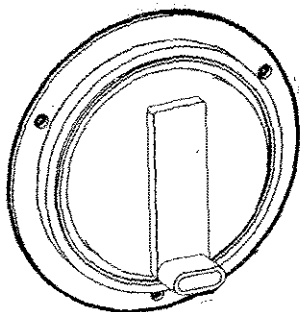
**TAIL LIGHT ASSEMBLY  
FED-EX EAST**

**8005405 TAIL LAMP**

**Lamp & Gray Flange  
44322R Red**



*Permanently affixed reinforced  
flange mount version*



PER LAMP

6300126(2)  
6-6 POP RIVET

6300133 (1)  
SECURITY  
6-4 POP RIVET

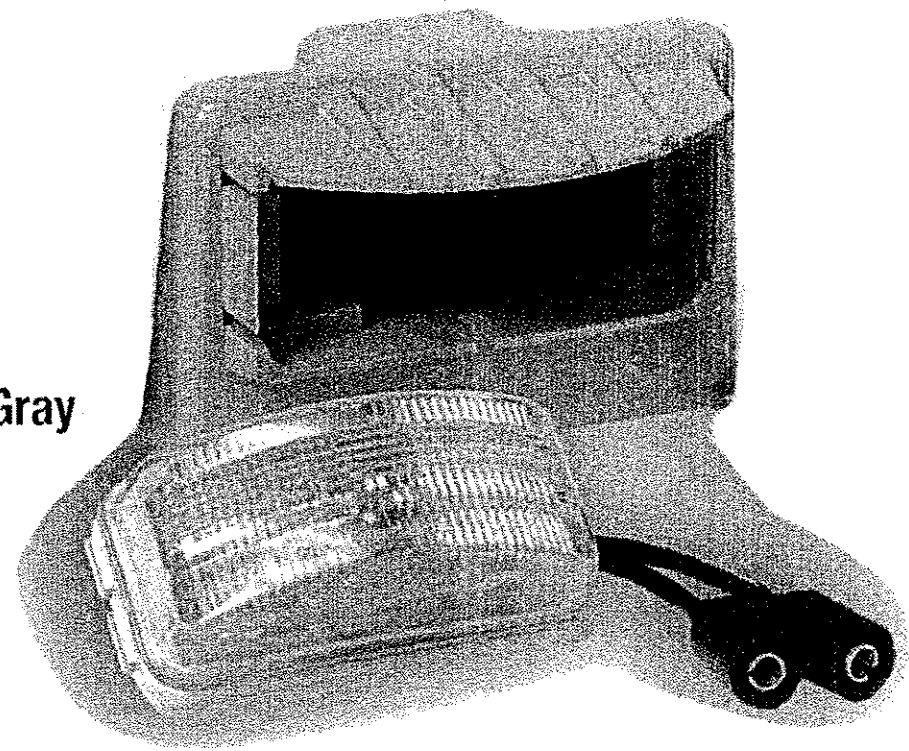
**2007**

800N087

**LICENSE LIGHT ASSEMBLY  
FED-EX EAST**

**8005388**

**Gray Bracket  
15729 Gray**



6300139 (2)  
POP RIVET  
6-16

8000307 (1)  
MOUNTING GASKET

87000458 (1)  
GROMMET  
3/8" ID x 5/8" OD

**8005408 15205 Clear w/.180 bullets, 12v**

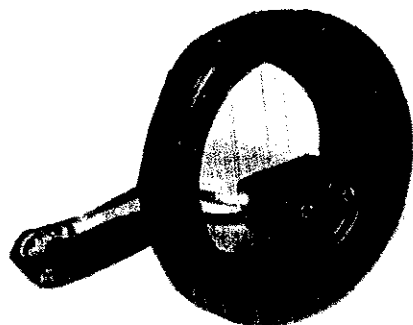


**8005441 88307-0048" 2 cond. flat cable, 14 gauge**

**2007**

**800N305**

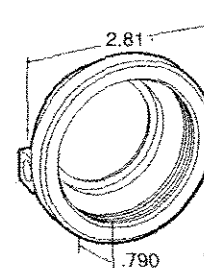
**ABS WARNING LIGHT ASSEMBLY  
FED-EX EAST**



**8005391 (1)  
GROMMET, ABS LAMP  
TRUCK-LITE  
30702**



**8005485 (1)  
ABS LIGHT  
TRUCK-LITE  
30257Y**



**Closed Back Grommets  
30702 Black w/.75  
dia. exit hole**



**12v Lamp w/ABS logo  
30257Y Yellow, vertical**

**52200 2 cond. flat cable, 14 gauge**

*Standard connection*



**8005380 (1)  
HARNES, ABS LIGHT  
TRUCK-LITE  
52200-0060**

**6300126(2)  
6-6 POP RIVET**

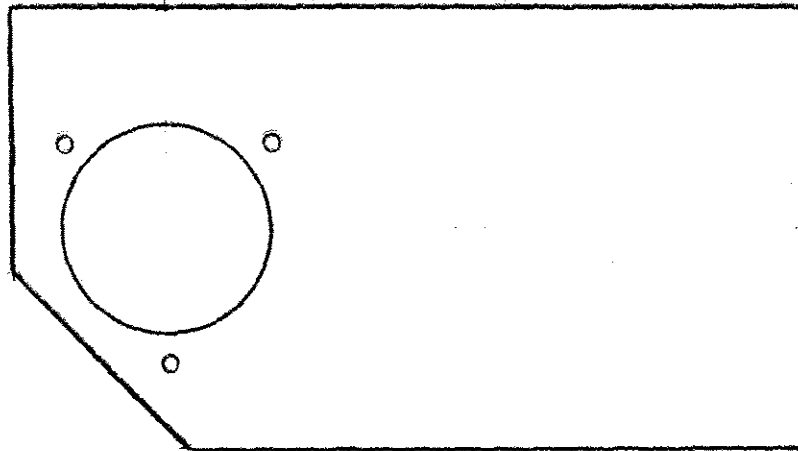
**6300153 (1)  
SECURITY  
6-4 POP RIVET**

**2007**

**800N106**

**2007 FED-EX EAST 28' TRAILER**

3300010  
BRACKET, ABS LIGHT



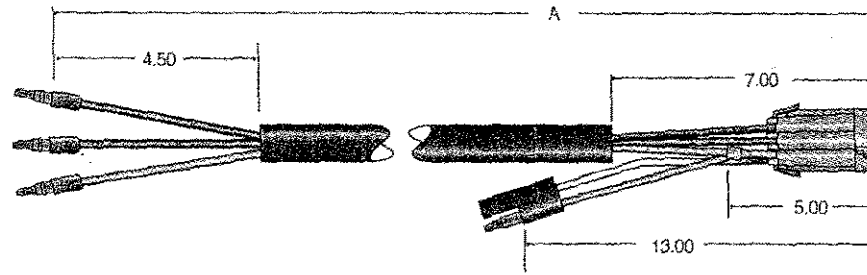
**ABS WARNING LAMP MOUNTING BRACKET**

**2007**

800N108

**2007 FED-EX EAST 28' TRAILER**

**88100** 3 cond. flat cable, 12 gauge



8005419  
TRUCK-LITE  
88100-0024  
24" ABS POWER HARNESS

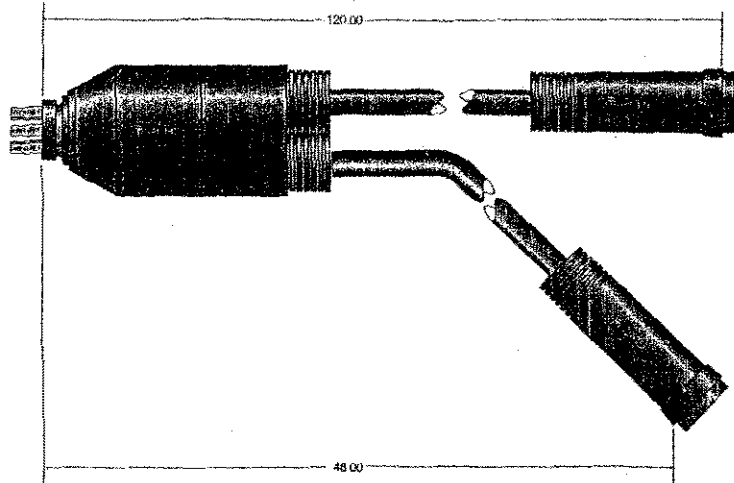
**2007**

**ABS POWER HARNESS ASSEMBLY**

800N106

**2007 FED-EX EAST 28' TRAILER**

**8005484  
TRUCK-LITE  
88905**



**88905 7-way adapter harness**

**REAR 7-WAY ADAPTOR HARNESS**

**2007**

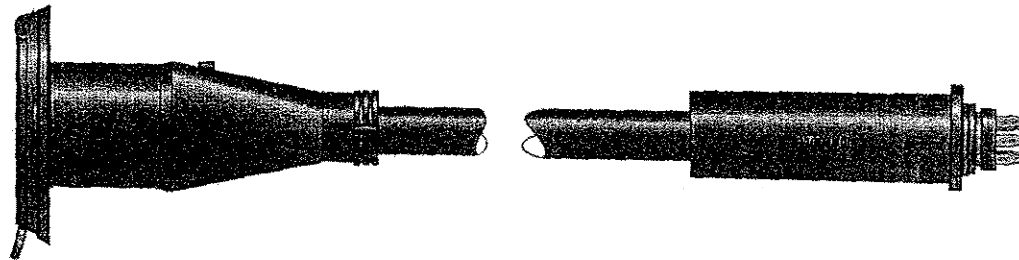
800N163

**2007 FED-EX EAST 28' TRAILER**

HARNESS WITH INTEGRAL SOCKET

6000300 (2)  
5/16"-18 x 1" ROLAC BOLT

8005483  
TRUCK-LITE  
REAR 7-WAY ADAPTOR  
50969-0036"



50969 7 cond. main cable, 1-8, 2-10, 4-12 gauge

**REAR 7-WAY CONNECTOR ASSEMBLY**

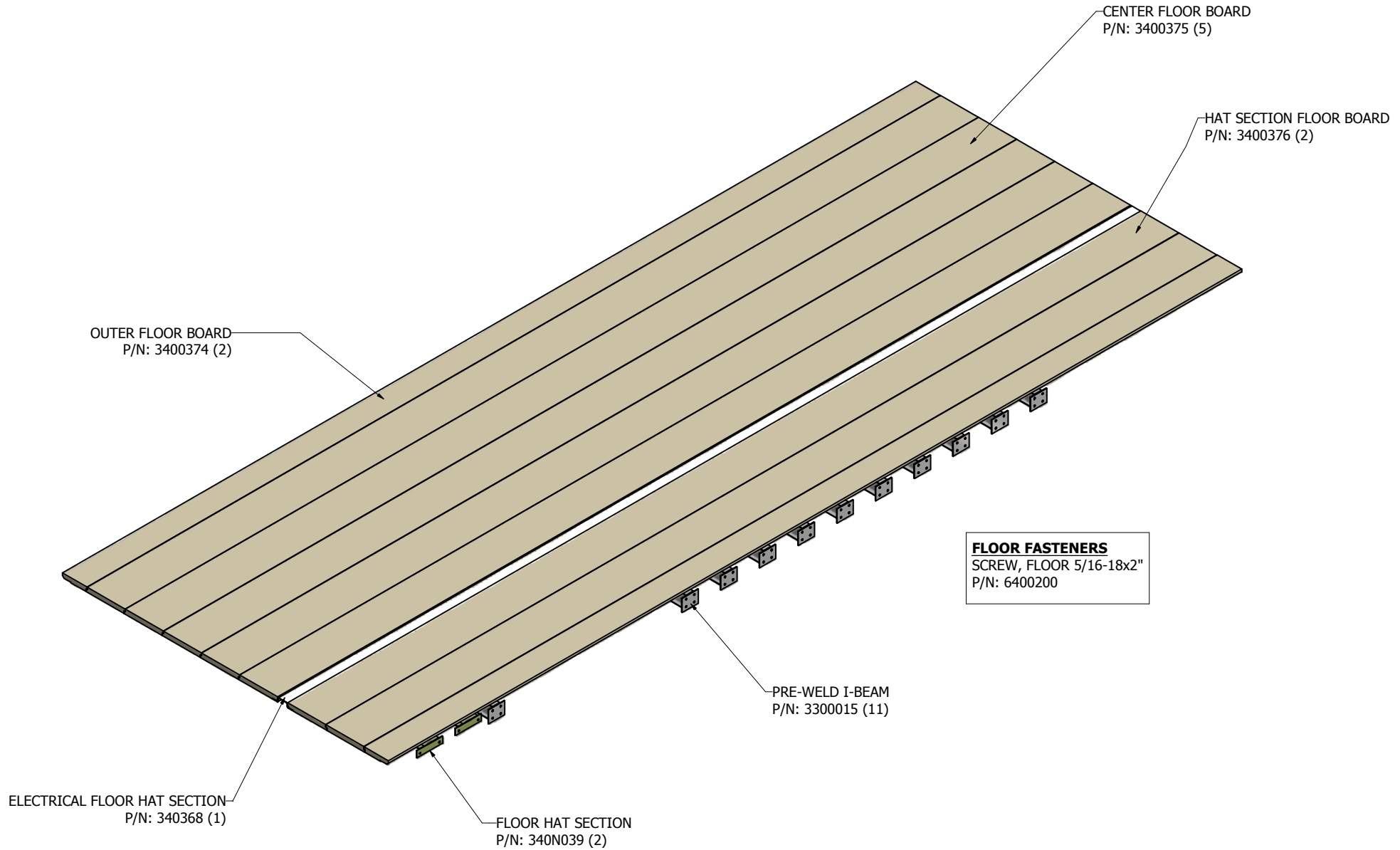
**2007**

800N163



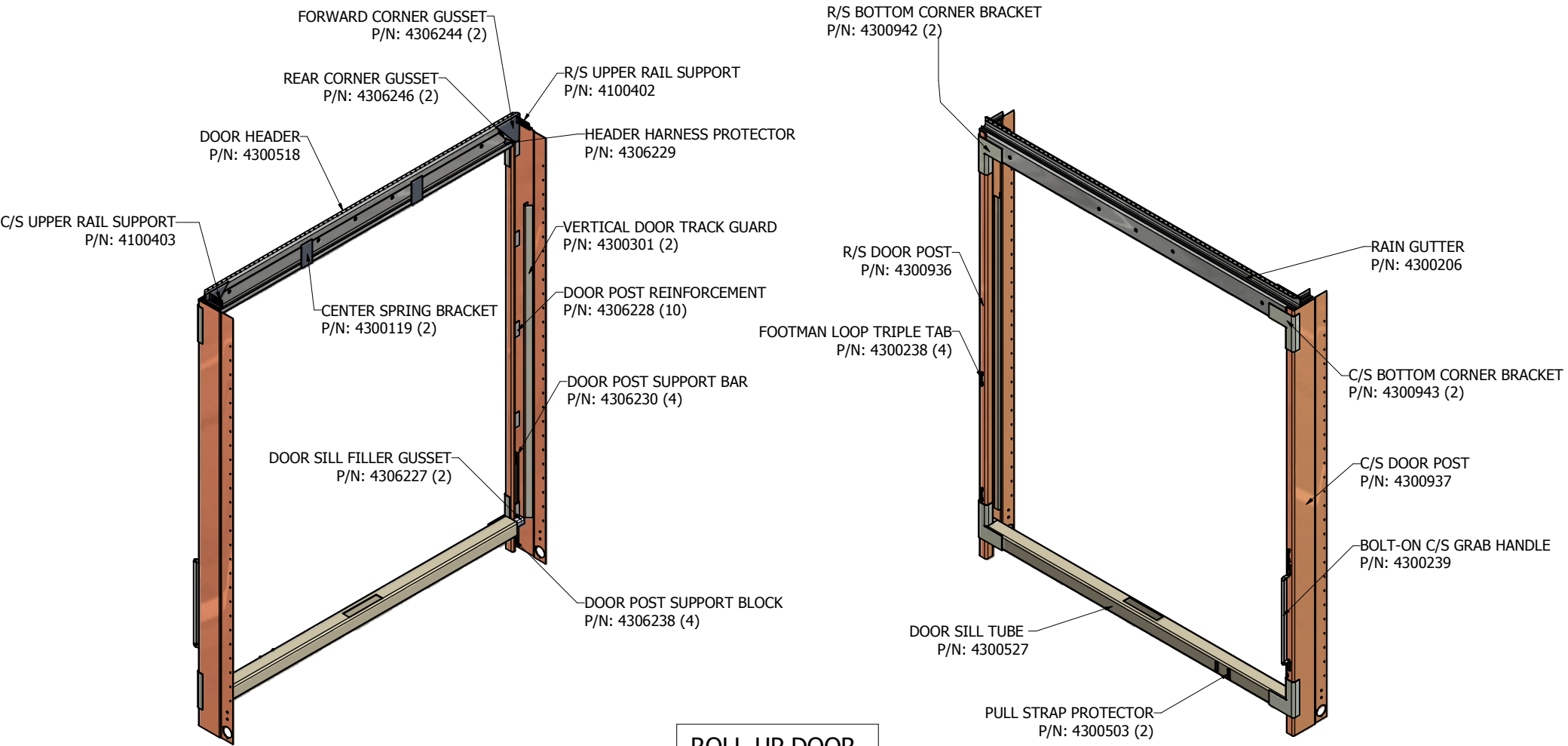
# FLOOR ASSEMBLY 340M021

FED-EX 28'



# DOOR FRAME ASSEMBLY

FED-EX 28'

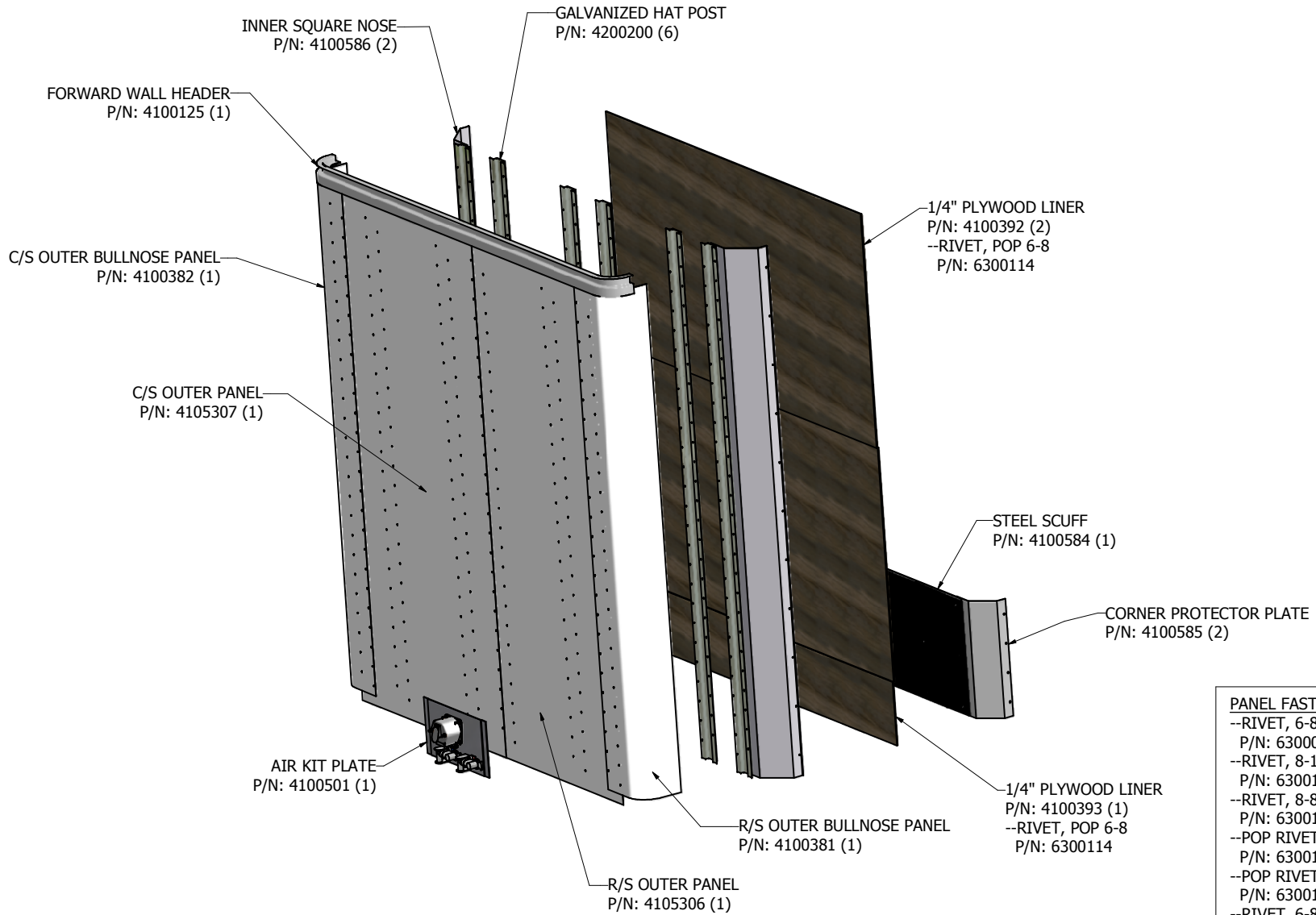


ROLL-UP DOOR  
P/N: 4300250

COMPLETE DOOR FRAME  
P/N: 430N035

# FORWARD WALL ASSEMBLY (410M012)

FED-EX 28'

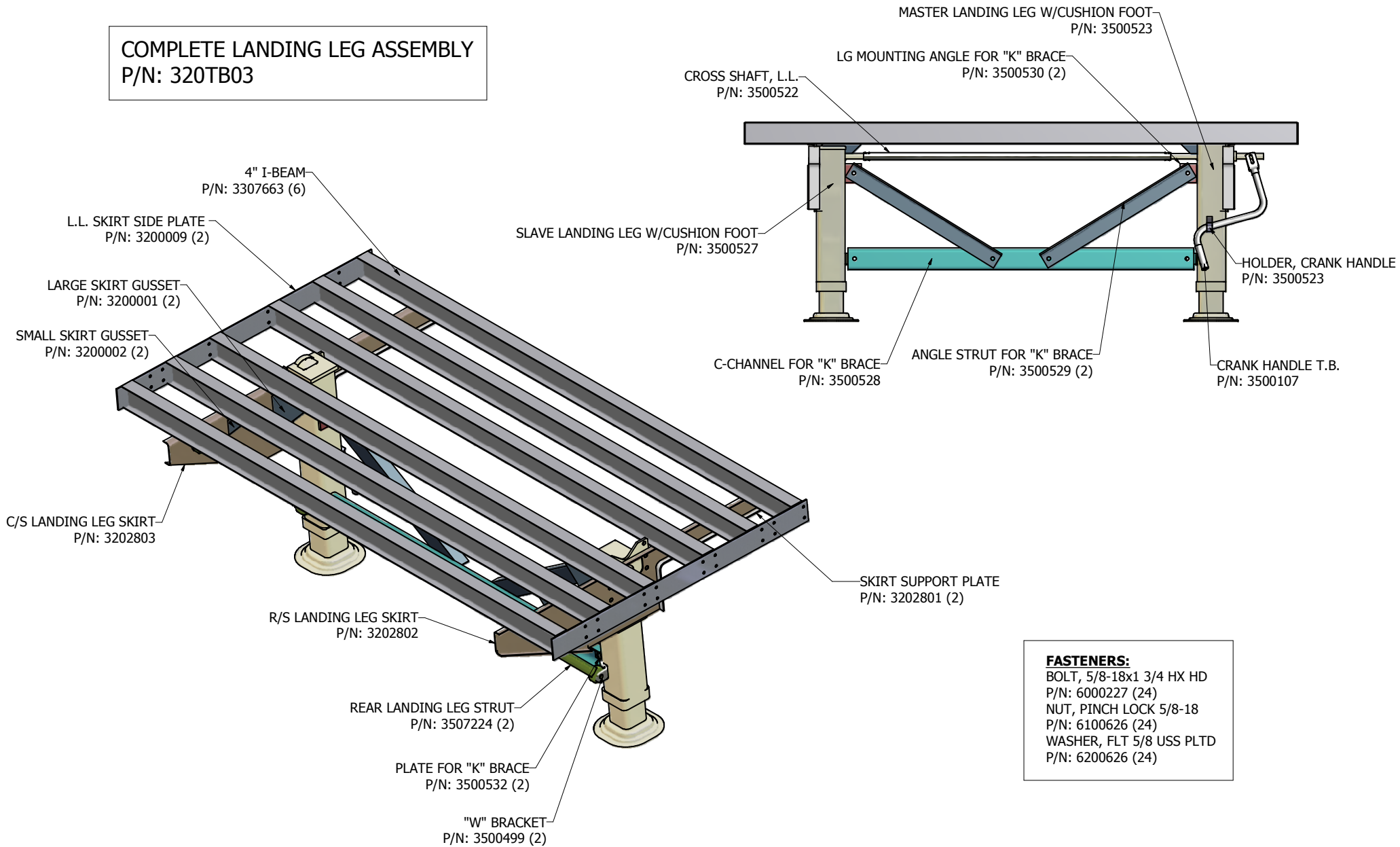


PANEL FASTENERS	
--RIVET, 6-8 PPW	P/N: 6300016
--RIVET, 8-10	P/N: 6300108
--RIVET, 8-8	P/N: 6300112
--POP RIVET, 6-4 SS	P/N: 6300153
--POP RIVET, 6-8 SS	P/N: 6300114
--RIVET, 6-8	P/N: 6300119
--RIVET, 6-8	P/N: 6300106

# LANDING LEG ASSEMBLY

FED-EX 28'

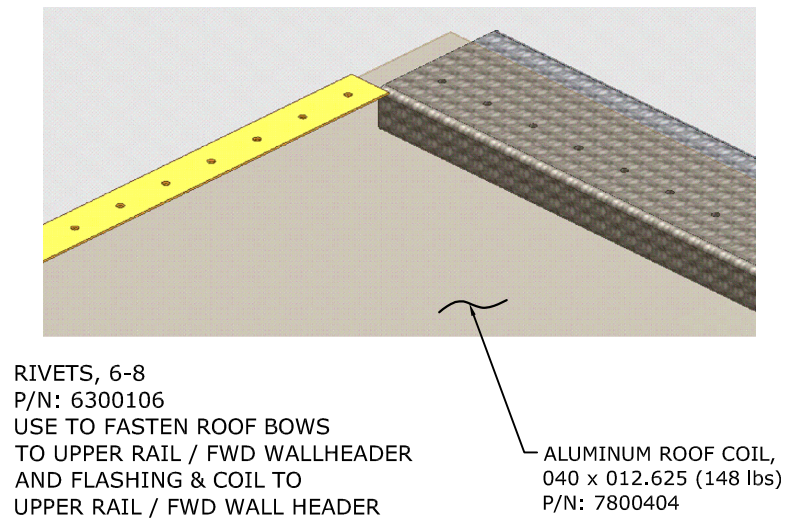
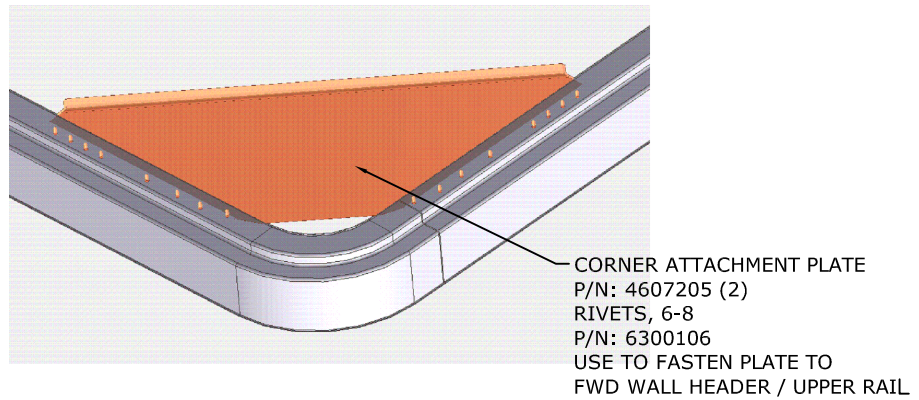
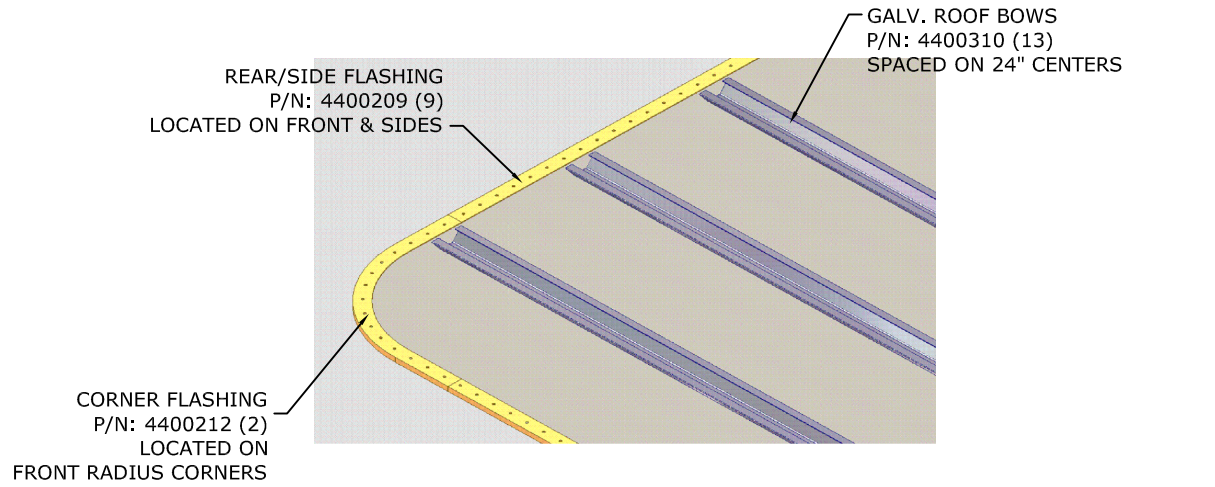
COMPLETE LANDING LEG ASSEMBLY  
P/N: 320TB03



## FASTENERS:

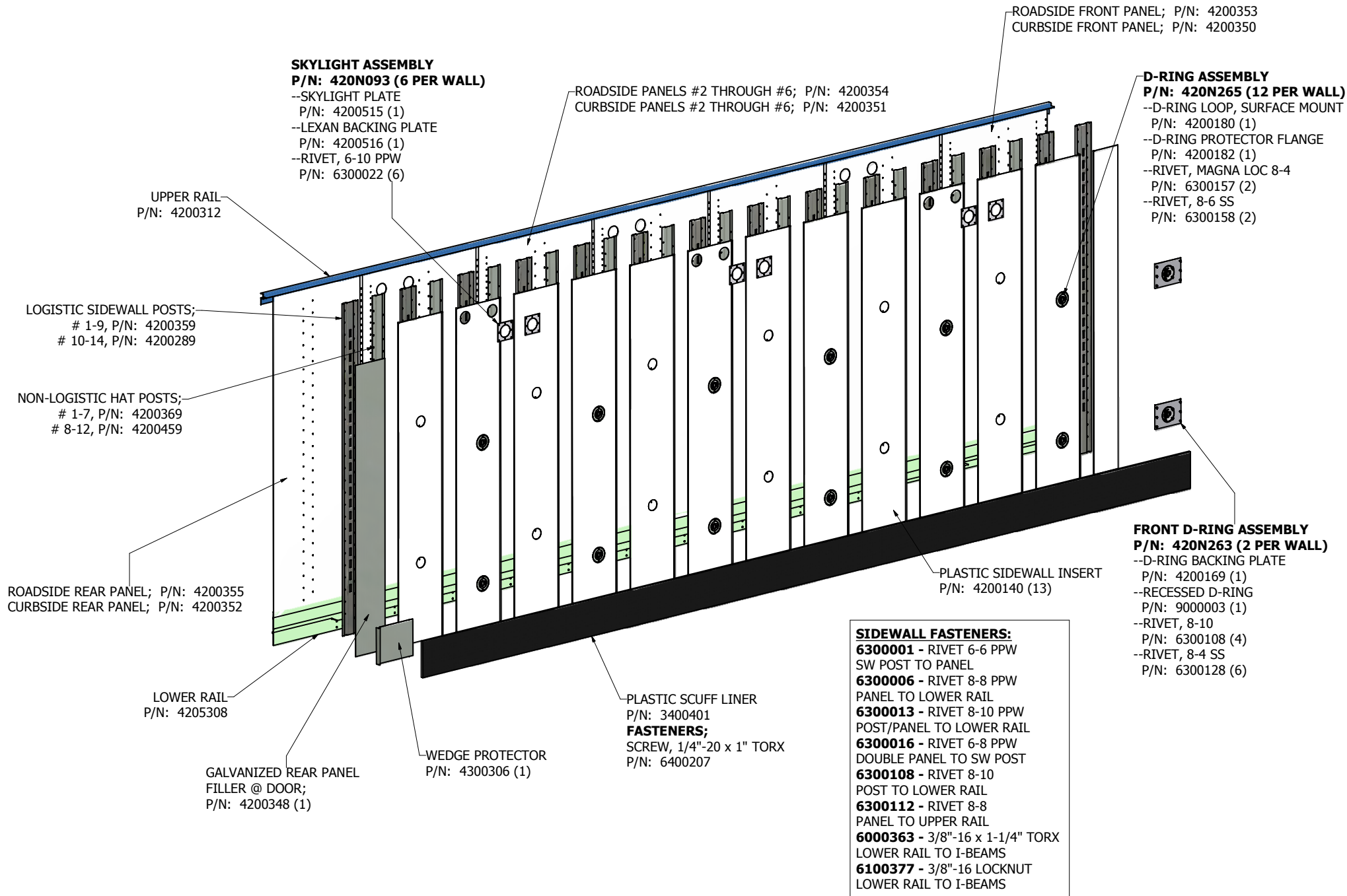
BOLT, 5/8-18x1 3/4 HX HD  
P/N: 6000227 (24)  
NUT, PINCH LOCK 5/8-18  
P/N: 6100626 (24)  
WASHER, FLT 5/8 USS PLTD  
P/N: 6200626 (24)

# ALUMINUM ROOF COMPONENTS



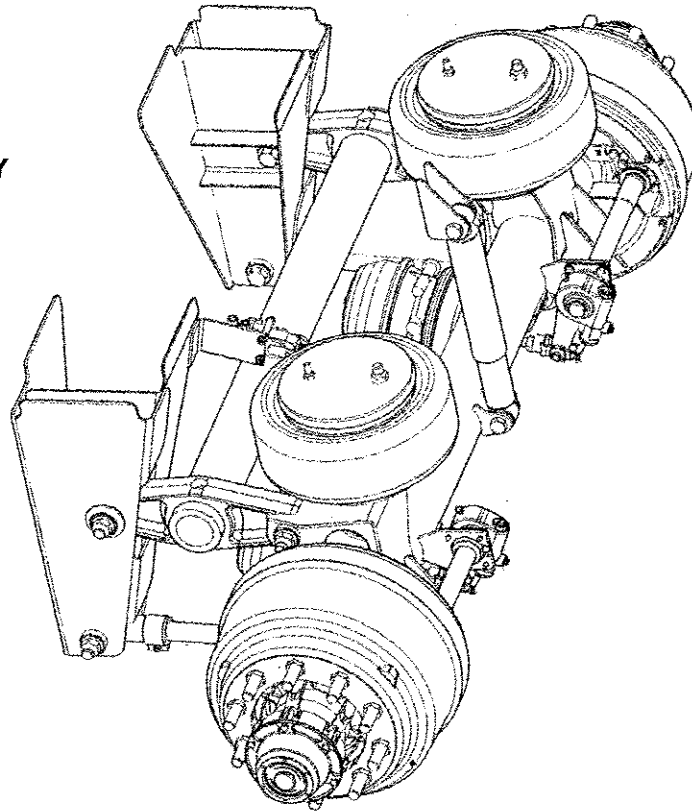
# SIDEWALL LAYOUT

FED-EX EAST 28'



**FED-EX EAST 28' TRAILER**

**230N030 (1)  
SUSPENSION ASSEMBLY  
MERITOR RHP55TP2299**



**SUSPENSION ASSEMBLY**

# UPPER COUPLER ASSEMBLY

FED-EX 28'

COMPLETE ASSEMBLY - 310M015

