

Parts Book

Fed-Ex East 48'

FED-EX EAST

48' TRAILER

AIR BRAKE ASSEMBLY

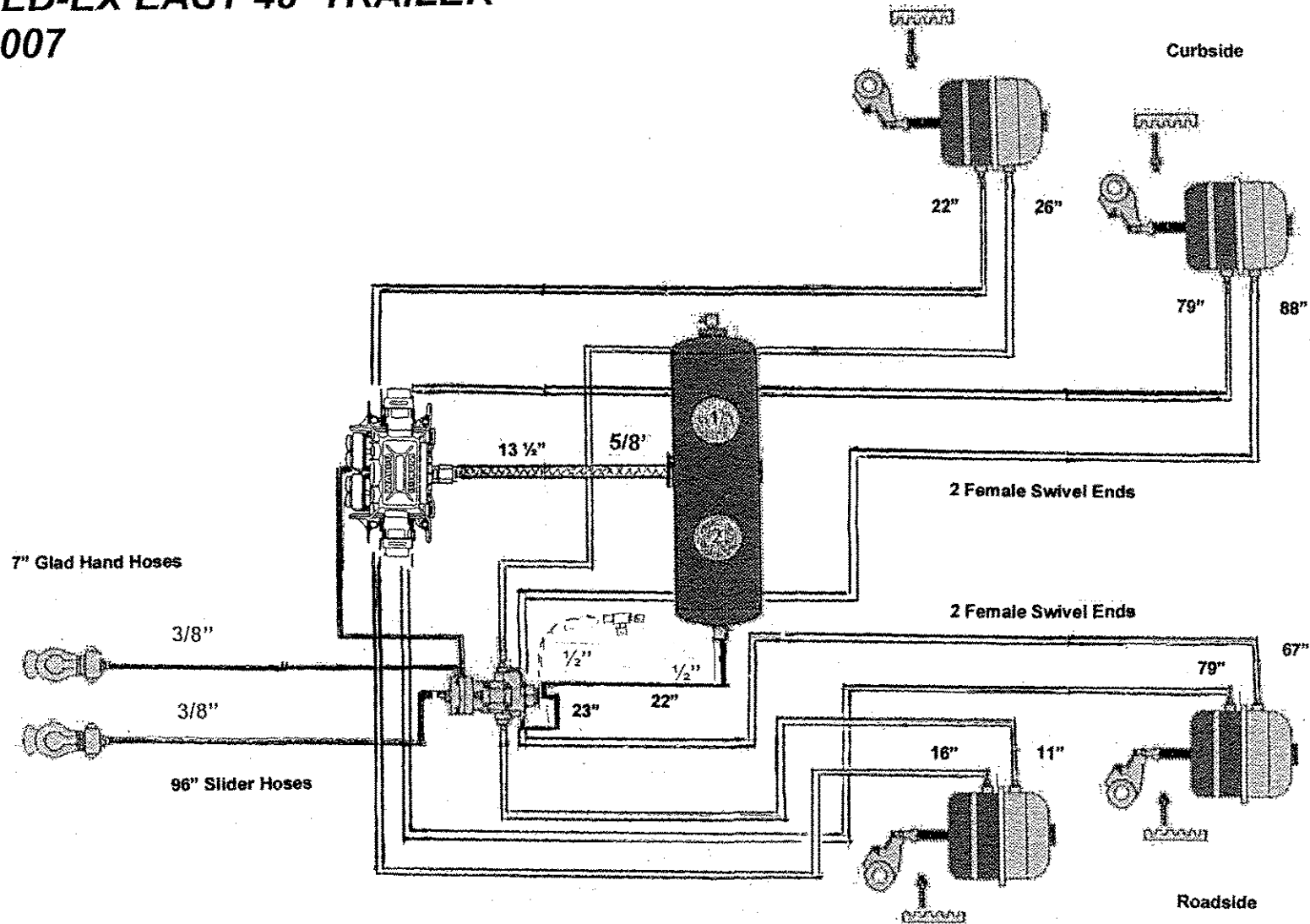
2007

BENDIX / MERITOR

700M046

STANDARD & LIFT GATE

FED-EX EAST 48' TRAILER 2007



AIR BRAKE HOSE ROUTING

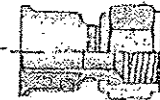
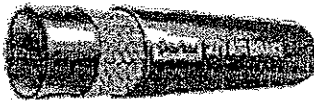
FED-EX EAST 48' TRAILER – 2007
AIR BRAKE HOSE LIST

08-09-07

RSI #	QTY	SIZE	TUBE / HOSE	CONN. 7000212	CONN. 7000213	CONN. 7000214	CONN. 7000215
7000211	5'-6"	5/8"	BLACK				
7000966	41'-0"	3/8"	RED				
7000968	3'-0"	1/2"	BLACK				
7000971	38'-4"	3/8"	BLUE				
7100100	2	7"	7000210		1	1	1
7100104	1	16"	7000210	1			1
7100106	1	22"	7000210	1			1
7100109	2	79"	7000210	1			1
7100124	2	40"	7000210	1			1
7100120	1	11"	7000210	1			1
7100121	1	26"	7000210	1			1
7100122	1	88"	7000210	2			
7100123	1	67"	7000210	2			

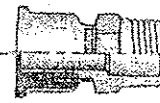
FED-EX EAST 48' TRAILER - 2007

7000212
SWIVEL, FEMALE
PARKER
10825-6-6B
5/8"-18 x 3/8" T



7000212
SWIVEL, FEMALE
PARKER
10825-6-6B
5/8"-18 x 3/8" T

7000212
SWIVEL, FEMALE
PARKER
10825-6-6B
5/8"-18 x 3/8" T

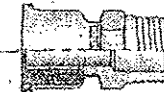


7000214
MALE ADAPTOR
PARKER
017M-6-8B
3/8"-18 x 3/4"-20

7000213
JOUNCE, FEMALE
45D. SWIVEL
PARKER
17B25-8-6B
3/4"-20 x 3/8" T

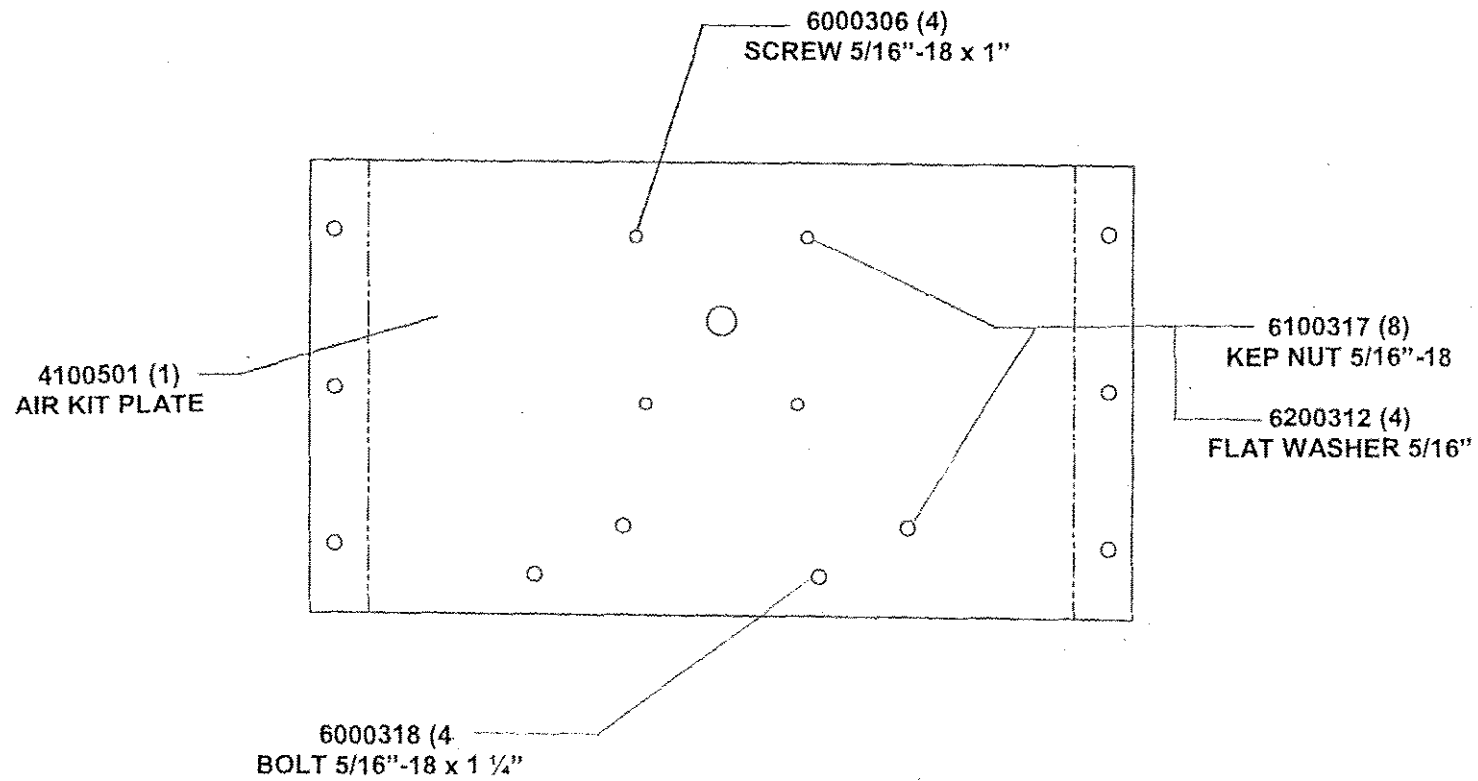
7000210
RUBBER AIR
BRAKE HOSE
PARKER
271-6-RL-3/8"

7000215
MALE PIPE END - RIGID
PARKER
10125-6-6B-VS
3/8" T x 3/8" H



AIR HOSE ASSEMBLY

FED-EX EAST 48' TRAILER - 2007

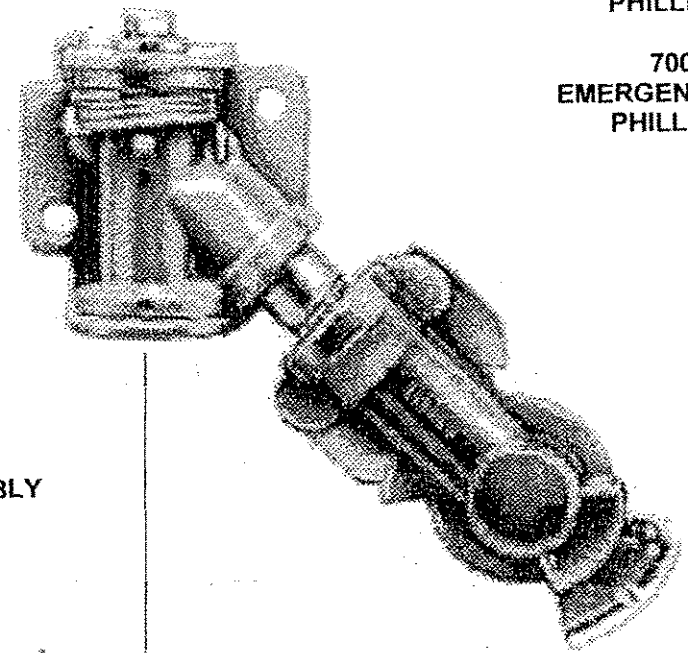


GLADHAND MOUNTING PLATE ASSEMBLY

FED-EX EAST 48' TRAILER - 2007

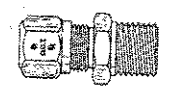
7001255 (1)
SERVICE GLADHAND
PHILLIPS 12-4546

7001256 (1)
EMERGENCY GLADHAND
PHILLIPS 12-4548



7100100 (2)
7" HOSE ASSEMBLY

7000141 (2)
PARKER
68NTA-6-6



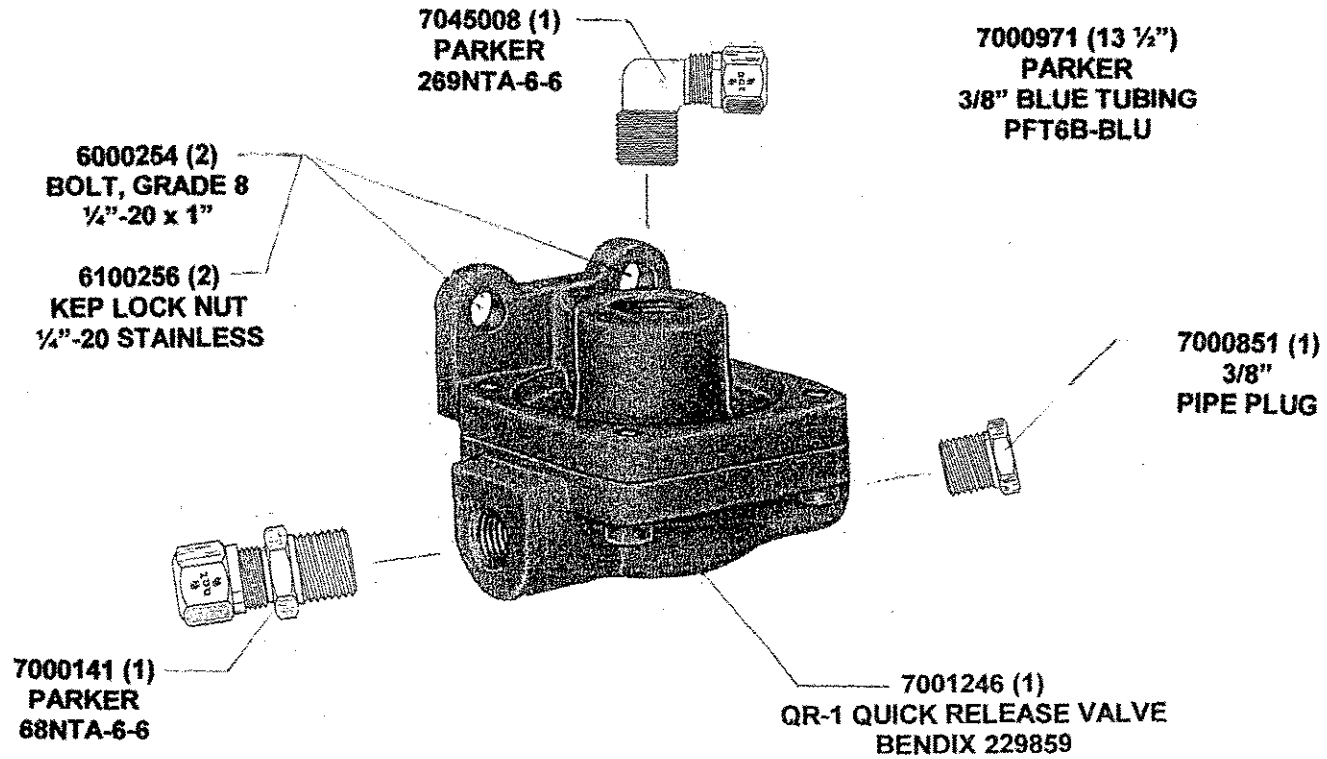
7000134 (2)
ANCHOR COUPLING
TRAMEC 50016

7001249 (2)
POLY SEAL, GLADHAND
SLOAN 441739

FRONT GLADHAND ASSEMBLY

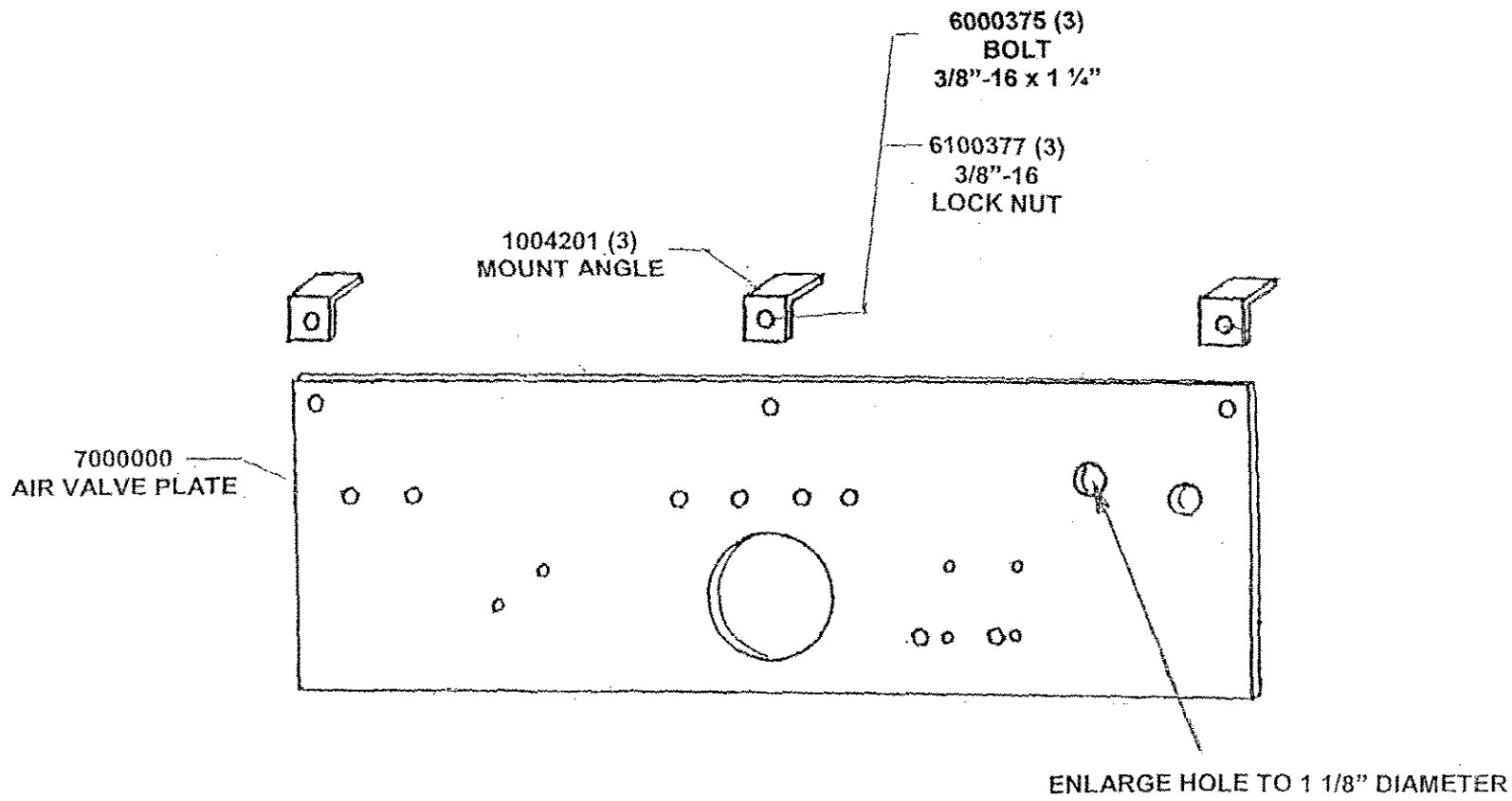
700N120

FED-EX EAST 48' TRAILER



QR-1 Quick Release Valve

FED-EX EAST 48' TRAILER - 2007



AIR BRAKE MOUNTING PLATE ASSEMBLY

700N068

FED-EX EAST 48' TRAILER - 2007

7001253 (1)
ECU MODULE 4S/2M
MERITOR S40015001030

6000379 (2)
BOLT
3/8"-16 x 1 1/4"

6100377 (2)
NUT
3/8"-16 NYLOK

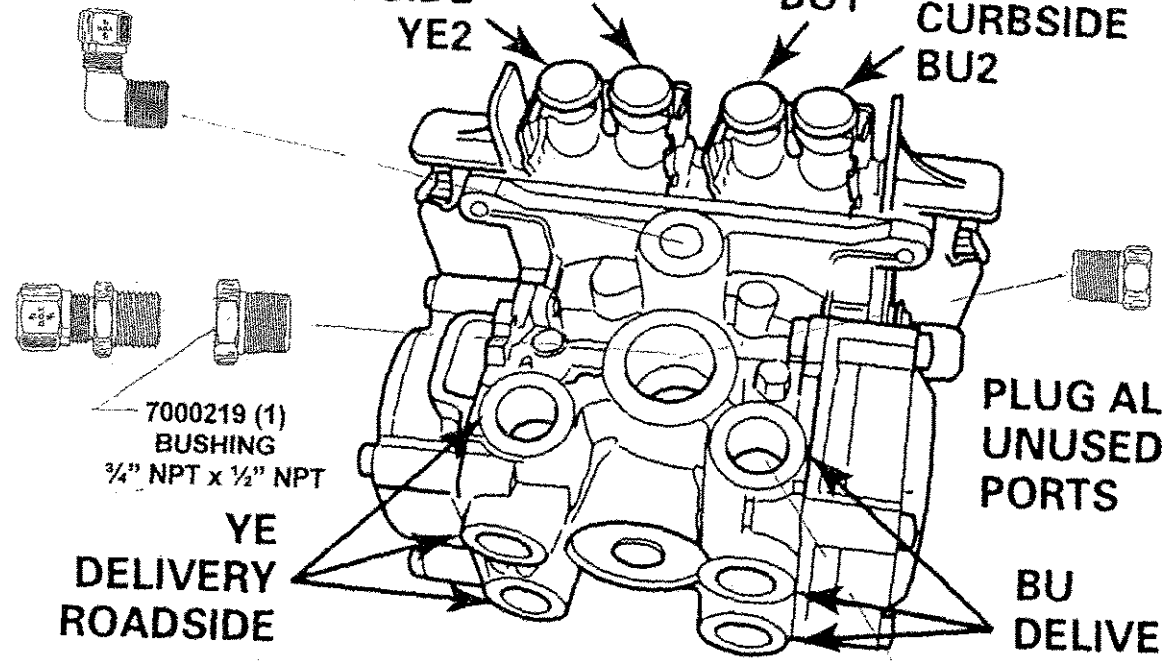
6200376 (4)
WASHER
3/8" FLAT

7045008
PARKER
279NTA-6-6

ROADSIDE CURBSIDE
YE1 YE2 BU1 BU2

7000856
3/4" PIPE PLUG

7000218 (1)
PARKER
68NTA-10-8



7000219 (1)
BUSHING
3/4" NPT x 1/2" NPT

PLUG ALL
UNUSED
PORTS

YE
DELIVERY
ROADSIDE

BU
DELIVERY
CURBSIDE

7000851 (2)
3/8" PIPE PLUG

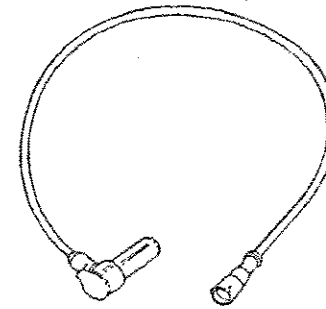
MERITOR ABS VALVE ASSEMBLY

700N146

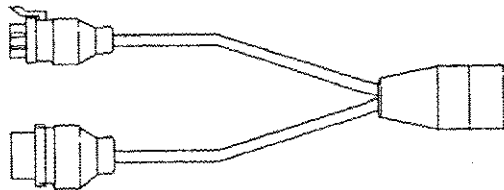
FED-EX EAST 48' TRAILER - 2007



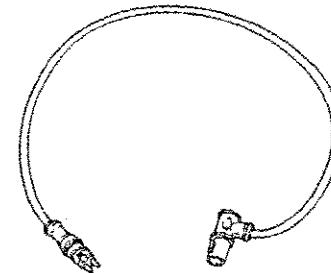
7001224 (2)
CLIP, ABS SENSOR
MERITOR 889 759 8154



7001218 (4)
ABS SENSOR
MERITOR 441 032 8080



7001250 (1)
POWER HARNESS
WITH DIAGNOSTIC
MERITOR 449 364 150 0



7001223 (2)
SENSOR HARNESS 5'
MERITOR 449 713 0180

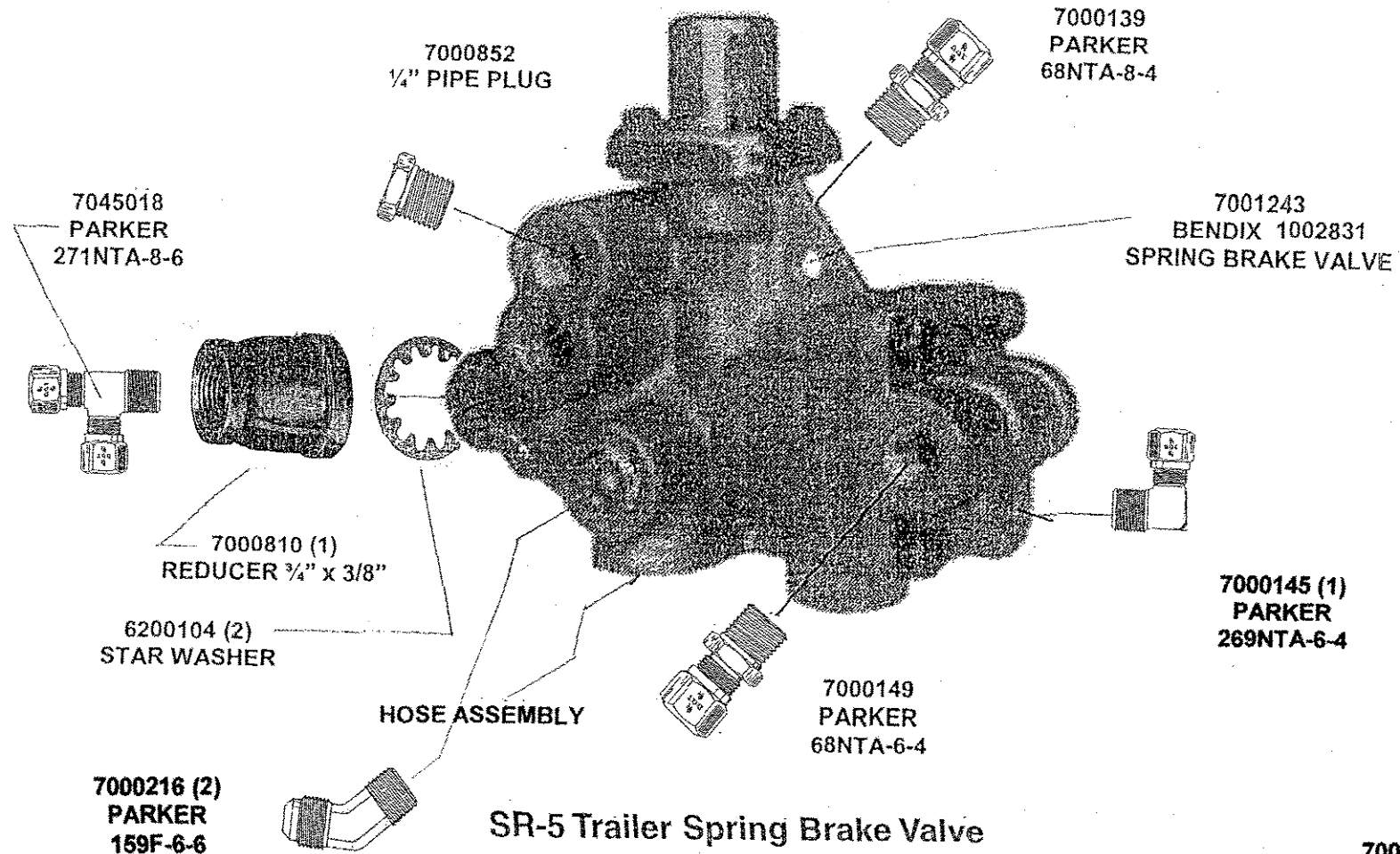
7001257 (2)
SENSOR HARNESS 10'
MERITOR 449 713 030 00

ABS ELECTRICAL COMPONENTS

700N144

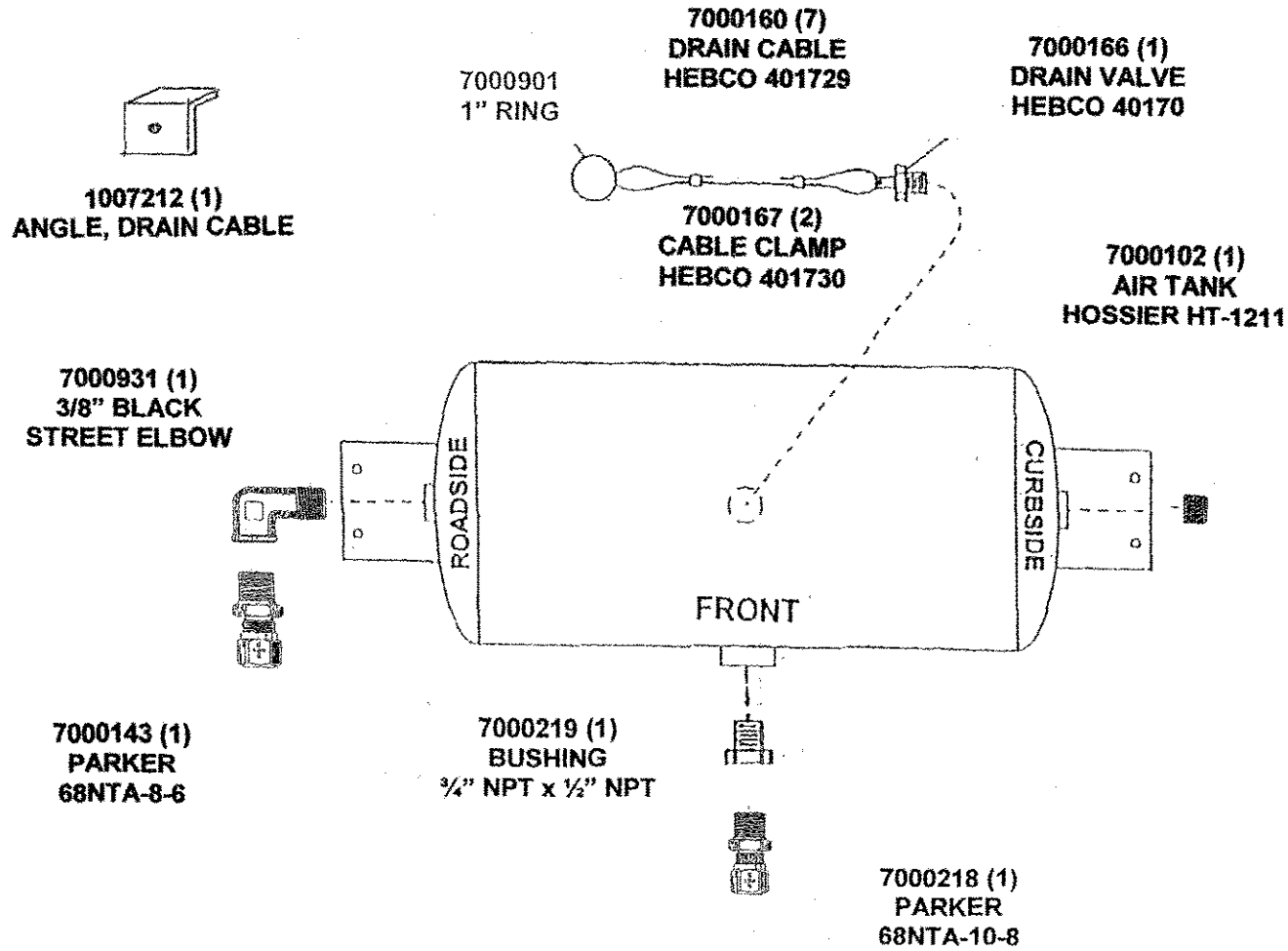
FED-EX EAST 48' TRAILER – 2007

7001243 (1)
SR-5 SPRING BRAKE VALVE
00102831



700N159

FED-EX EAST 48' TRAILER - 2007

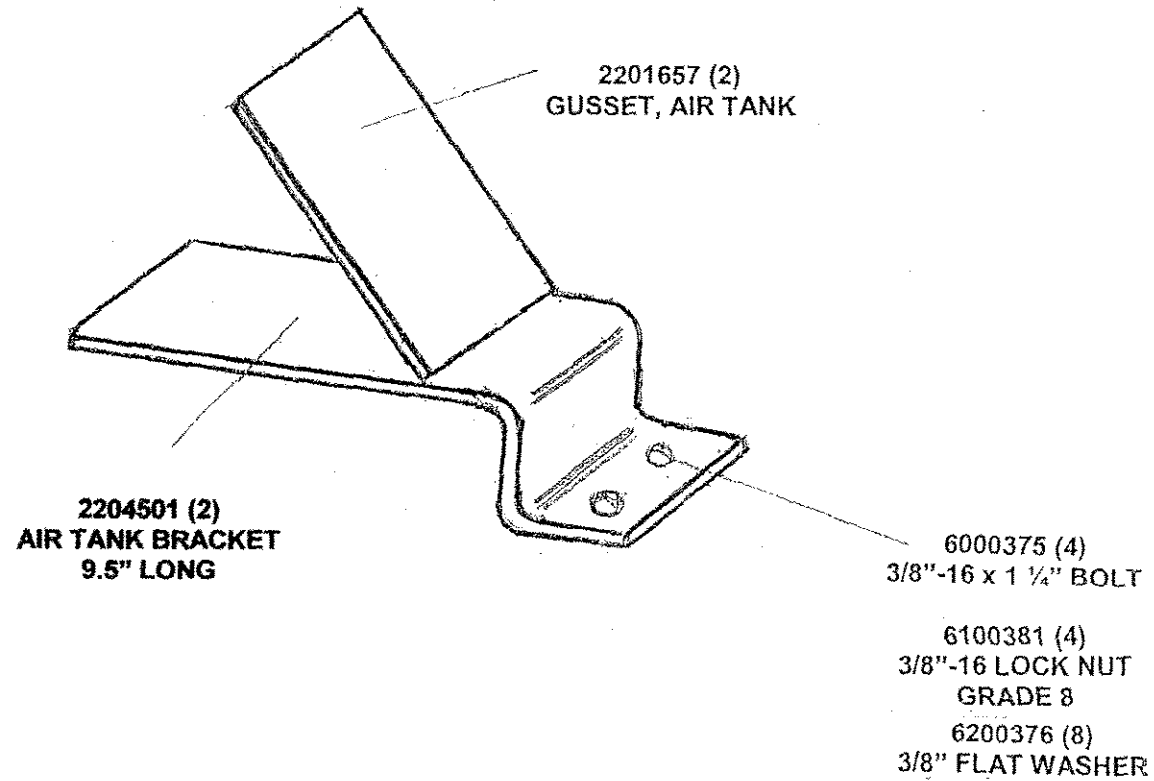


700N026

700N143

AIR TANK AND DRAIN VALVE ASSEMBLY

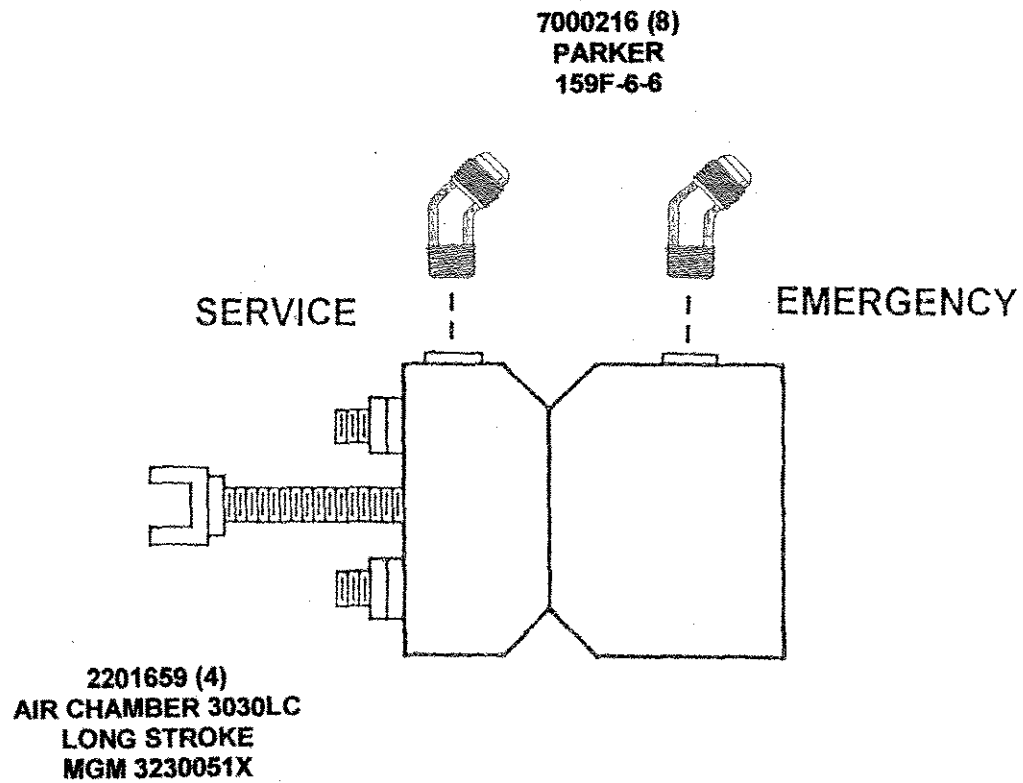
FED-EX EAST 48' TRAILER – 2007



AIR TANK MOUNTING BRACKET ASSEMBLY

210N764

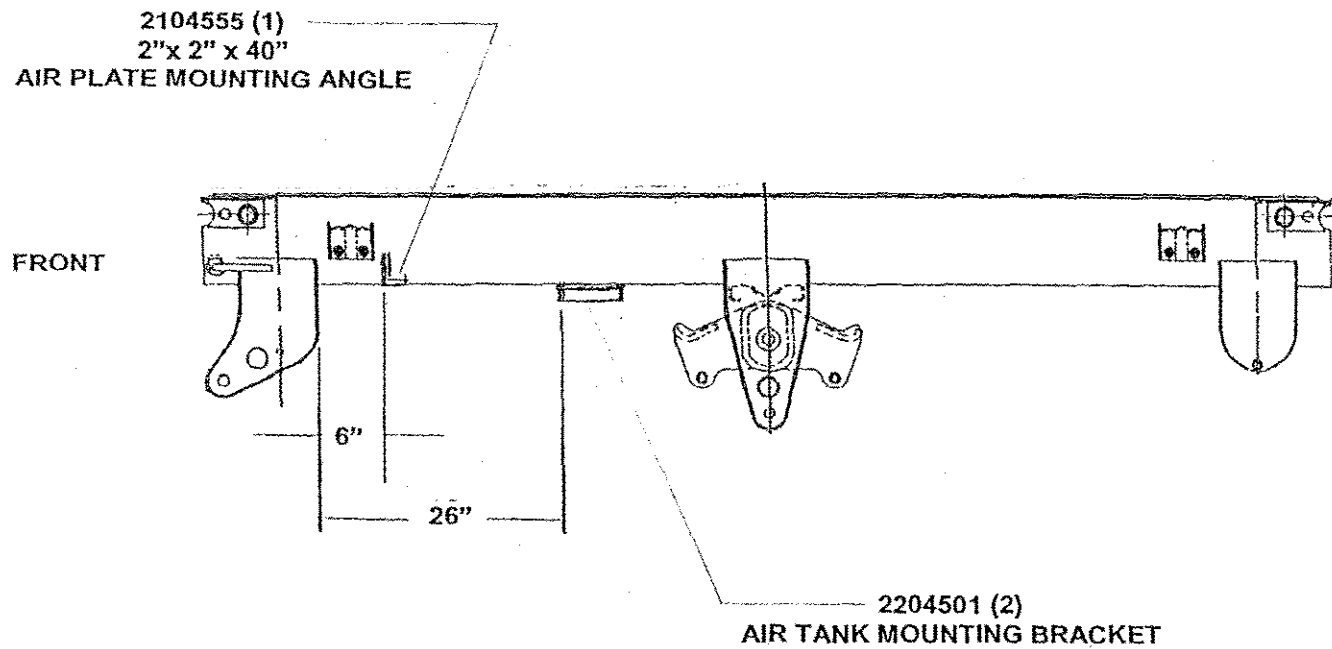
FED-EX EAST 48' TRAILER – 2007



AIR BRAKE CHAMBER & CONNECTORS

700N142

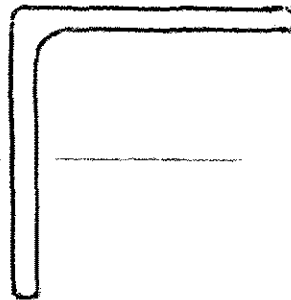
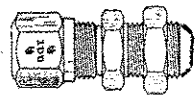
FED-EX EAST 48' TRAILER - 2007



**AIR VALVE PLATE AND AIR TANK BRACKET
MOUNTING LOCATIONS**

FED-EX EAST 48' TRAILER - 2007

**7045033 (2)
PARKER
62NFBH-6**



**2104530 (1)
ANGLE, BULKHEAD CONNECTOR**

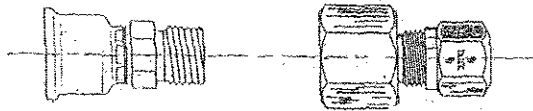
SLIDER HOSE ANCHOR ASSEMBLY

700N147

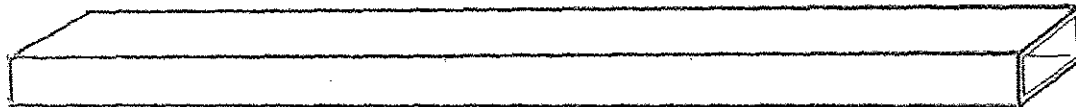
FED-EX EAST 48' TRAILER - 2007

7000112 (2)
PARKER
10825-6-6B
PART OF HOSE
ASSEMBLY 7100108

7000142 (2)
PARKER
66NTA-6-6



7700533 (1)
1" x 2" x 18"
HOSE HANGER TUBE



REF: 210N102

**ADAPTOR – NYLON HOSE TO RUBBER HOSE
AT BOGIE HOSE HANGER ASSEMBLY**

700N148

FED-EX EAST 48' TRAILER - 2007

6100256 (3)
KEP LOCK NUT
1/4"-20 STAINLESS

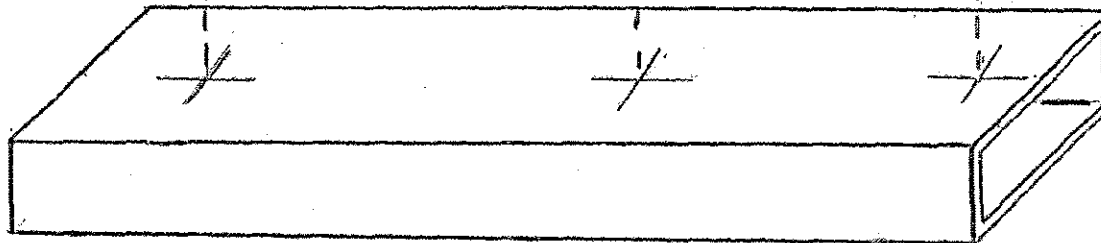


8000268 (4)
7/16" CUSHION CLAMP



8000261 (2)
3/4" CUSHION CLAMP

6400606 (3)
WELD STUD
1/4"-20 x 3/4"

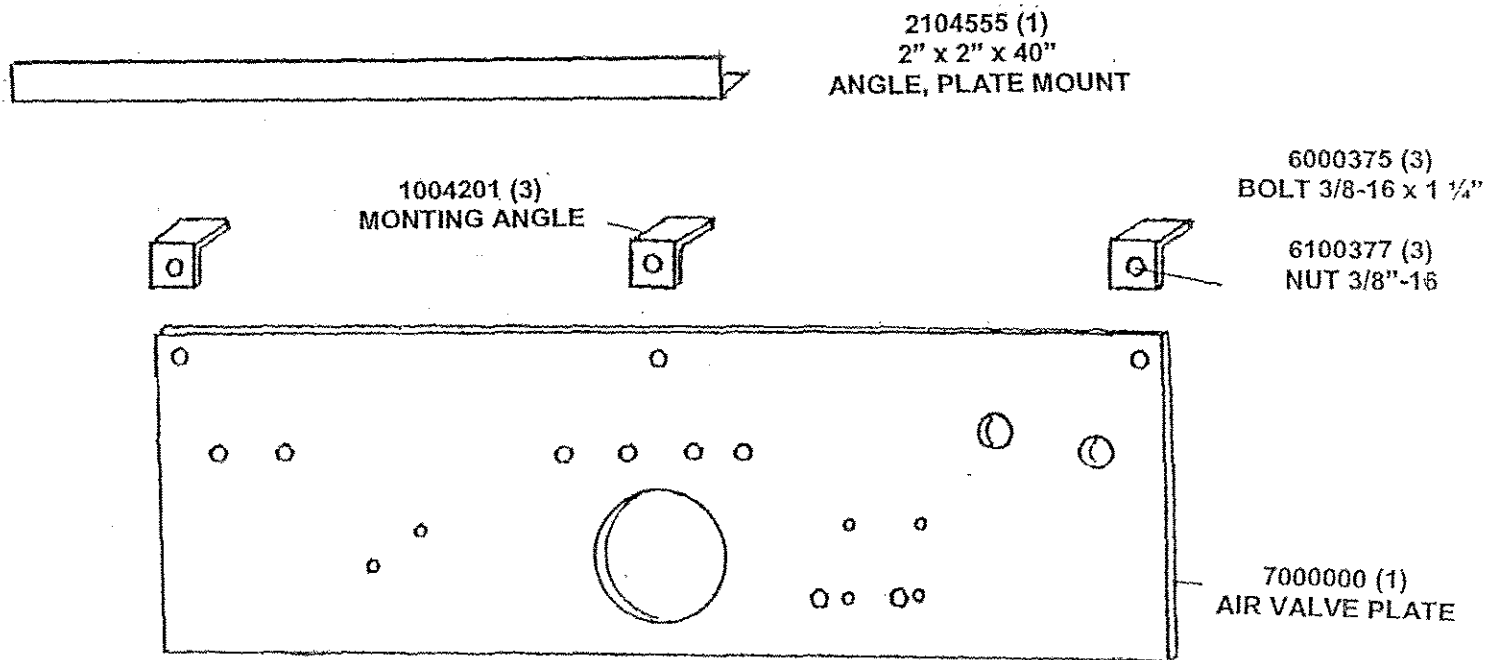


FRONT

SLIDER HOSE TO BOGIE HOSE HANGER ASSEMBLY

210N102

FED-EX EAST 48' TRAILER - 2007

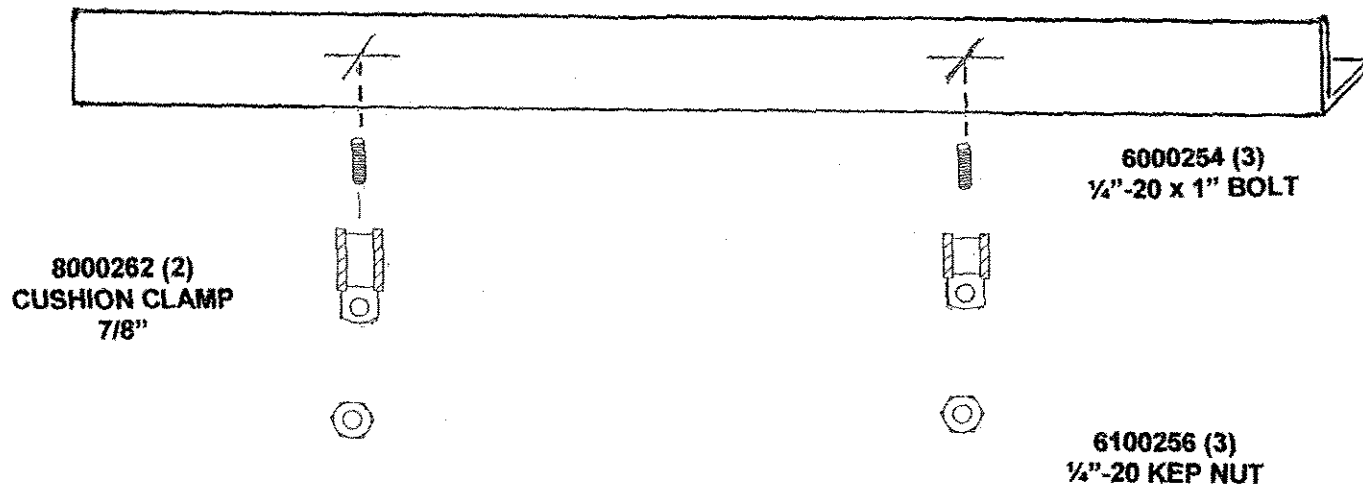


AIR BRAKE VALVE MOUNTING PLATE ASSEMBLY

700N068

FED-EX EAST 48' TRAILER - 2007

**2104555 (1)
ANGLE, AIR PLATE MOUNTING**

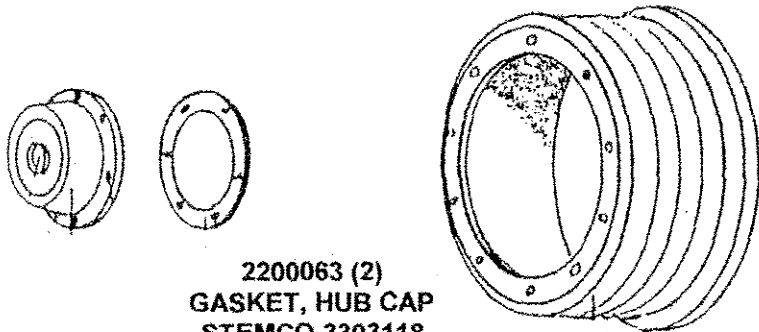


AIR PLATE MOUNTING ANGLE ASSEMBLY

210N051

FED-EX EAST 48' TRAILER – 2007

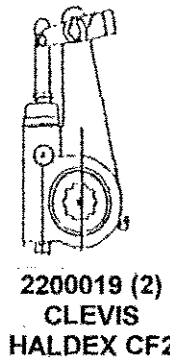
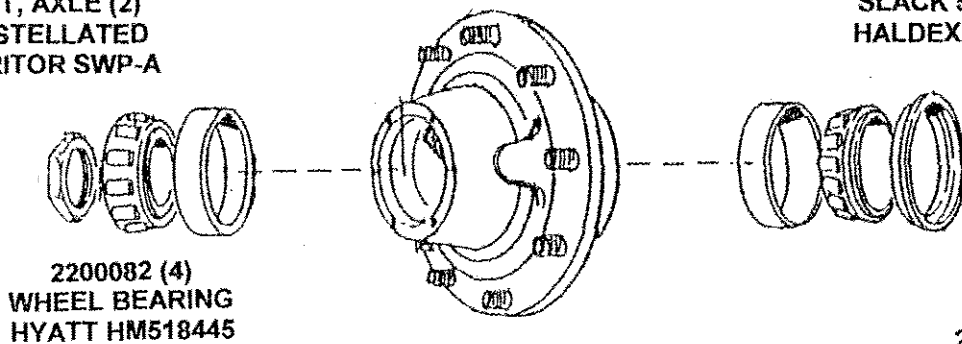
600N001 (1)
HUB CAP FASTENERS



HUB CAP – PSI READY (2)
STEMCO 343-4372

2201660 (2)
HUB & DRUM COMB.
MERITOR 14-15968-1140x10'

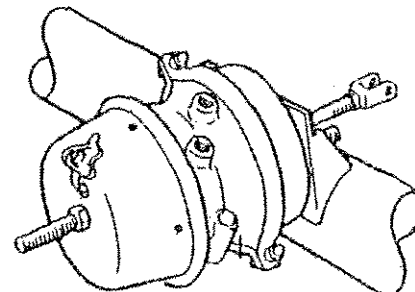
NUT, AXLE (2)
CASTELLATED
MERITOR SWP-A



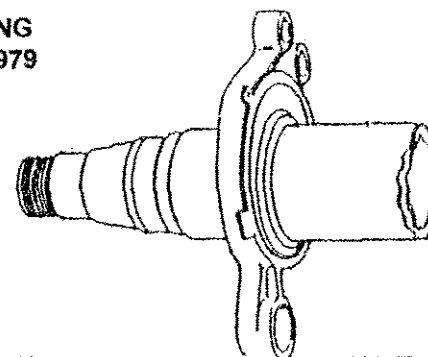
2200031 (2)
BRACKET
HALDEX 427-10569

2200049 (2)
SLACK 5.5" LONG
HALDEX 409-10979

2201659 (2)
AIR CHAMBER
MGM 3030 LONG STROKE
3230051X



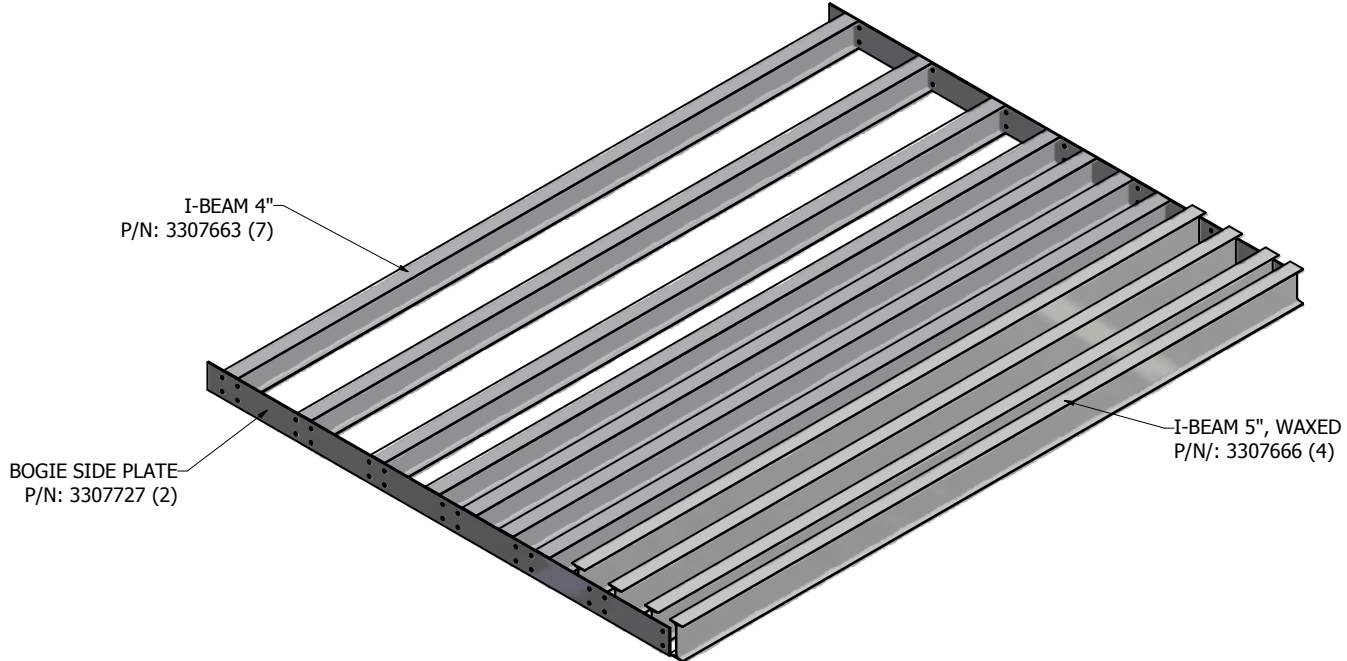
BRAKE LINING (4)
ABEX 3030-197
SOR215 LONGLIFE



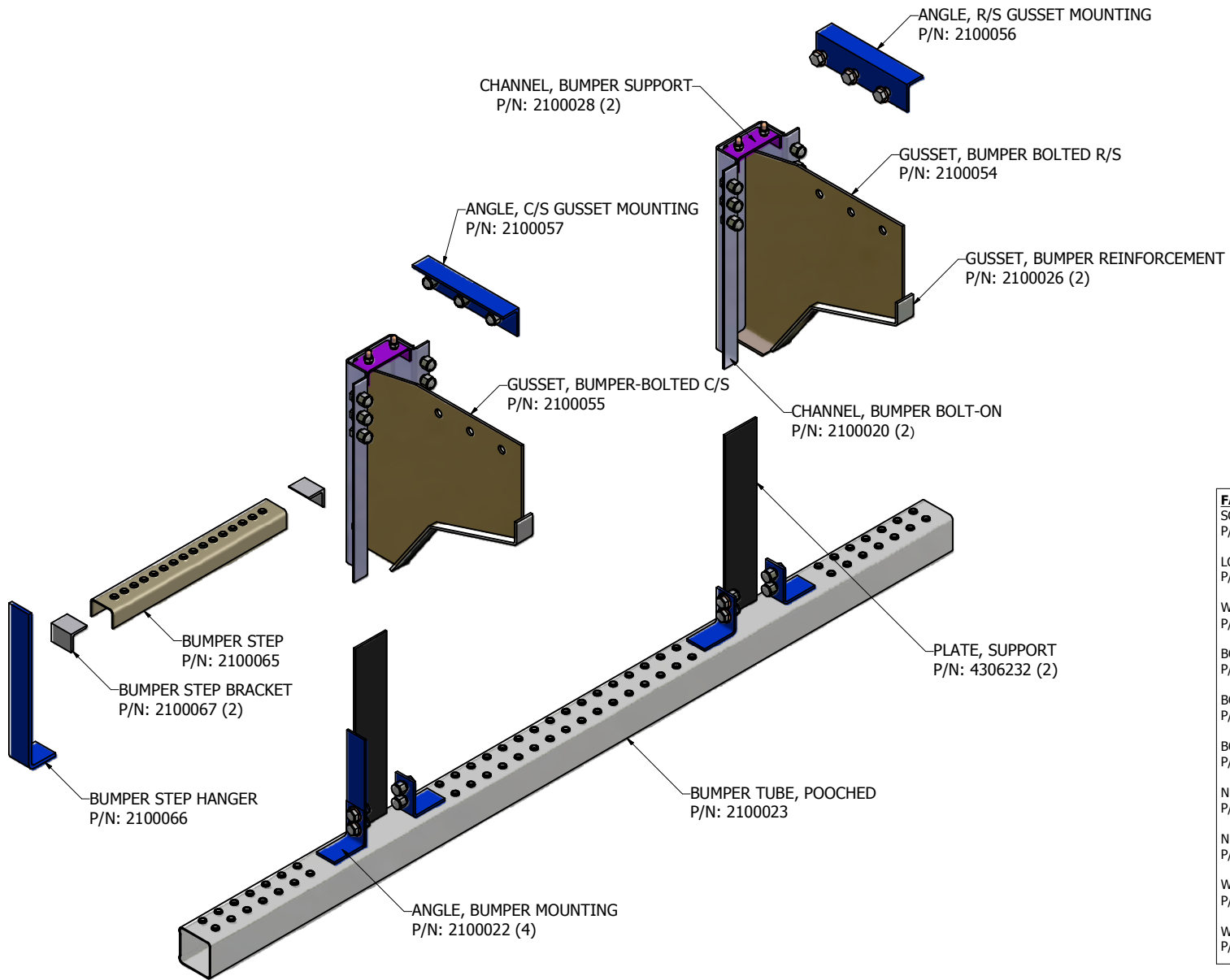
AXLE BEAM
MERITOR
C19 3273Q199A

AXLE ASSEMBLY

BOGIE SUB FRAME DETAILS
FED-EX 48'



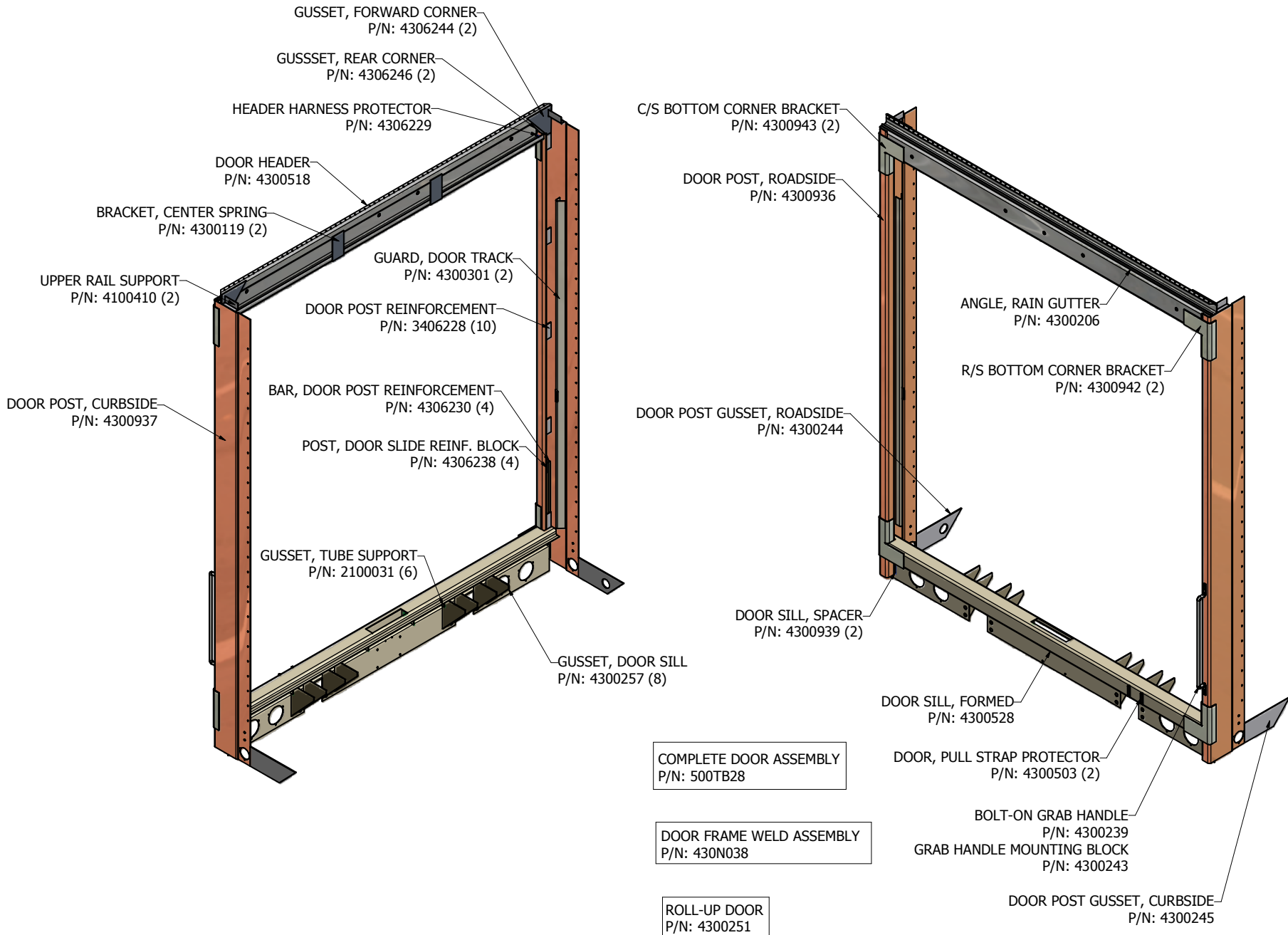
BUMPER ASSEMBLY (210N105) FED-EX 48'



FASTENERS:	
SCREW, HEX CAP 3/8-16x1-1/4	P/N: 6000375 (2)
LOCKNUT, 3/8-16 HEX	P/N: 6100378 (2)
WASHER, FLAT USS PLTD	P/N: 6200376 (4)
BOLT, 1/2-20x1-1/2 HEX HEAD	P/N: 6000501 (4)
BOLT, 3/4-16x2 GR-5	P/N: 6000750 (6)
BOLT, 3/4-16x1-1/2 GR-5	P/N: 6000751 (20)
NUT, LOCK HEX 1/2-20 GR-5	P/N: 6100501 (4)
NUT, 3/4-16 GR-5	P/N: 6100751 (26)
WASHER, STEEL FLAT 1/2	P/N: 6200503 (4)
WASHER, 3/4 ALLOY	P/N: 6200751 (26)

DOOR FRAME ASSEMBLY

FED-EX 48'



FED-EX EAST

48' TRAILER

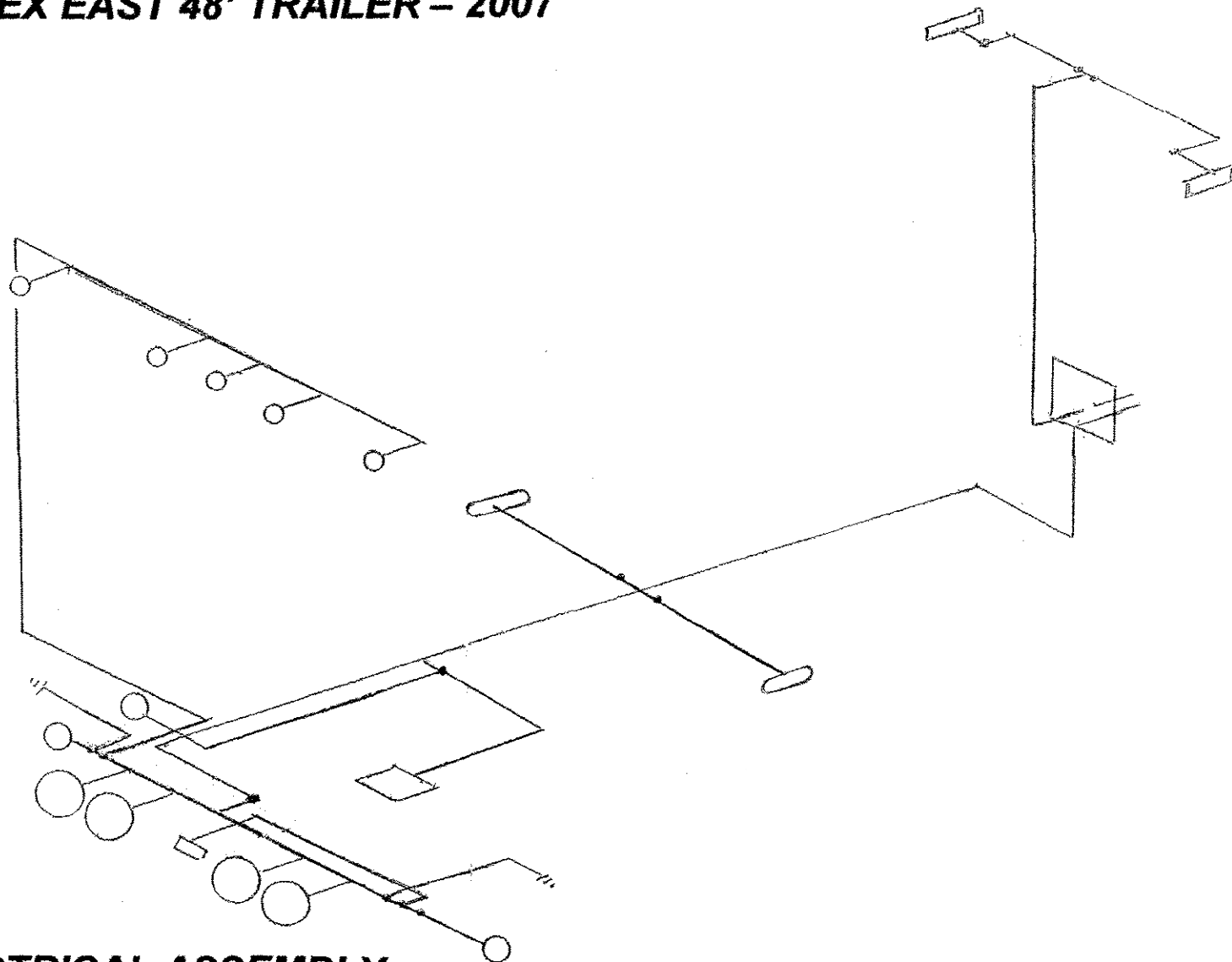
***ELECTRICAL
ASSEMBLY***

2007

TRUCK-LITE

800M042

FED-EX EAST 48' TRAILER – 2007



ELECTRICAL ASSEMBLY

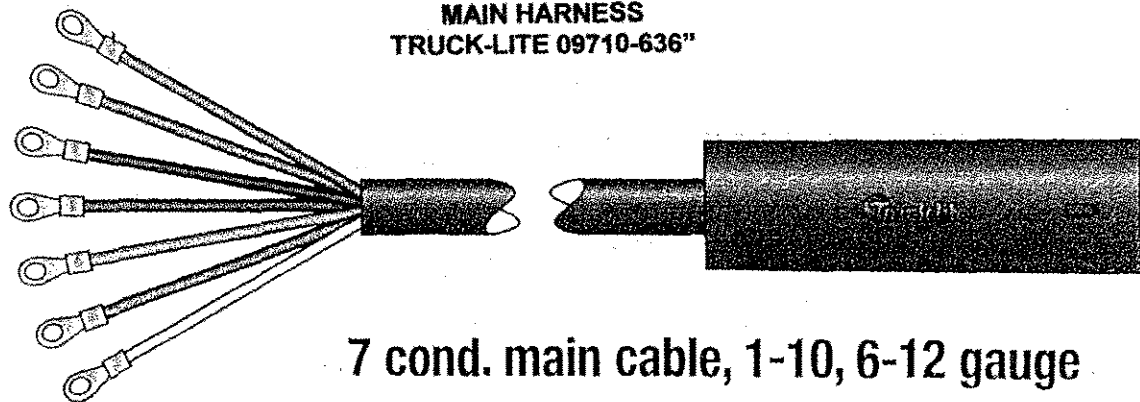
800M042

FED-EX EAST 48' TRAILER – 2007

8000261 (1)
3/4" CUSHION CLAMP

6300126 (1)
POP RIVET

8005497 (1)
MAIN HARNESS
TRUCK-LITE 09710-636"



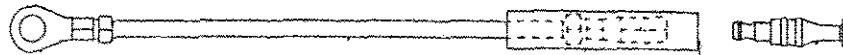
7 cond. main cable, 1-10, 6-12 gauge

MAIN HARNESS

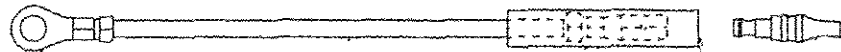
800M042

FED-EX EAST 48' TRAILER – 2007

8005500 (2)
6" JUMPER – WHITE
TRUCK-LITE 96450



WITH PLUG



WITH PLUG

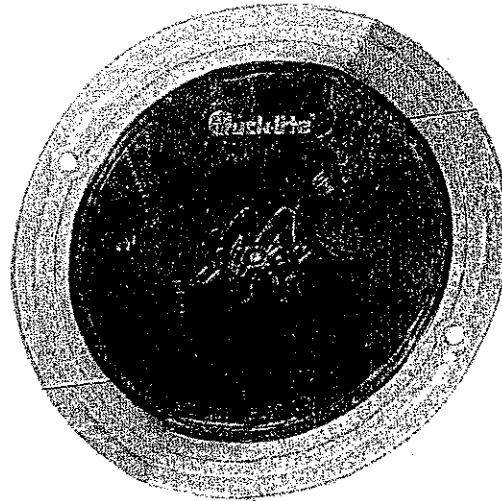
8005499 (2)
6" JUMPER – BLUE
TRUCK-LITE 96451

ASSET TRACKING DEVICE POWER LEADS

800M043

FED-EX EAST 48' TRAILER – 2007

**6300126 (3)
POP RIVET
PER LAMP**

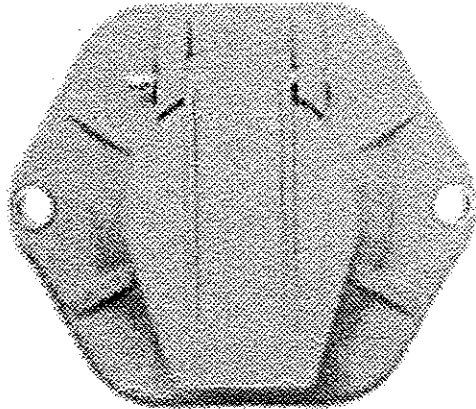


**8005405 (4)
TAIL LIGHT
TRUCK-LITE 44322R**

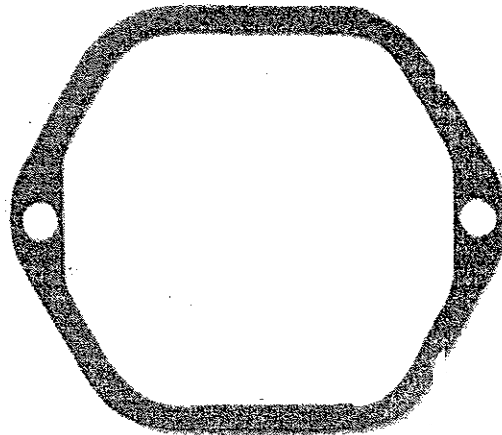
TAIL LIGHT ASSEMBLY

800N087

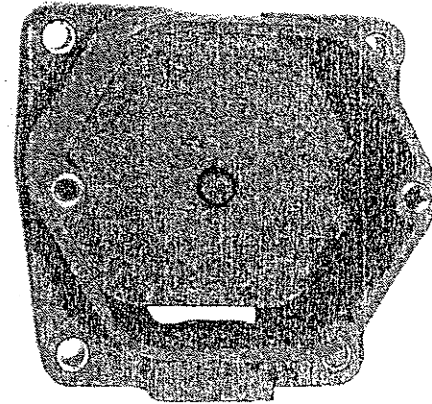
FED-EX EAST 48' TRAILER - 2007



**SOLID PIN
WITHOUT CIRCUIT BREAKERS
WITH GASKET**



**8000966 (1)
7-WAY RECEPTICAL
TRAMEC 38430**



7-WAY ASSEMBLY

800N152

FED-EX EAST 48' TRAILER – 2007

8000458 (1)
GROMMET

8005487 (1)
6" JUMPER - BLACK
TRUCK-LITE 96425



8005431 (1)
48" JUMPER HARNESS
TRUCK-LITE 96959



8005464 (1)
60" JUMPER HARNESS - SINGLE
TRUCK-LITE 95944



8005461 (1)
108" JUMPER HARNESS - DOUBLE
TRUCK-LITE 97061



FORWARD WALL MARKER LIGHT HARNESSES

800N161

FED-EX EAST 48' TRAILER – 2007

8005433 (2)
MARKER LAMP
MODEL 35 LED
TRUCK-LITE 35375Y



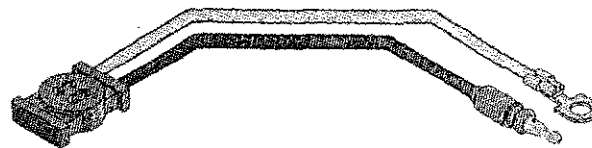
6000234(4)
SCREW

6200103 (2)
STAR WASHER

8000302 (9)
3/8" DEKCLIP

8000463 (3)
GROMMET

8000931 (2)
CABLE TIE



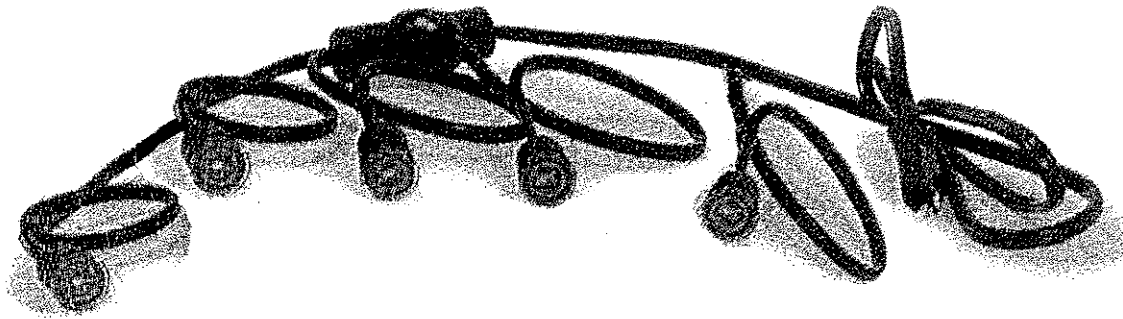
8005366 (2)
LIGHT PIGTAIL 4 1/2"
TRUCK-LITE 94718

FORWARD WALL MARKER LIGHT ASSEMBLIES

800N161

FED-EX EAST 48' TRAILER – 2007

8005480 (1)
LIGHT AND HARNESS ASSEMBLY
MODEL 33 – 5 LAMP
TRUCK-LITE 33756R



6100256 (4)
1/4"-20 KEP NUT

6400606 (4)
1/4"-20 x 3/4" WELD STUD

8000266 (4)
1/4" CUSHION CLAMP

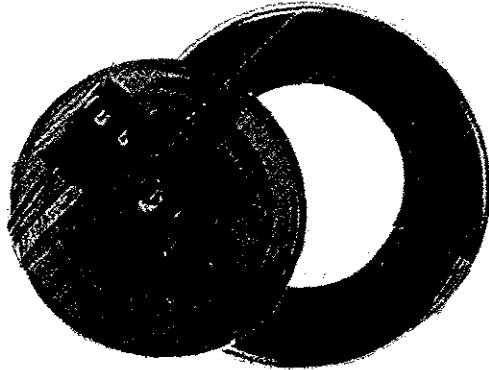
REAR HEADER (ICC) LIGHT AND HARNESS ASSEMBLIES

800N162

FED-EX EAST 48' TRAILER – 2007

**8000931 (2)
CABLE TIE**

**8005409 (2)
2 ½" LAMP GROMMET
TRUCK-LITE 10700**



**8005471 (2)
12" LAMP JUMPER
TRUCK-LITE 88303-0012**

**8005486 (2)
MARKER LAMP
MODEL 10 - LED
TRUCK-LITE 10275R**

REAR LOWER MARKER LIGHT AND HARNESS ASSEMBLY

800N164

FED-EX EAST 48' TRAILER – 2007

3201005 (2)
MOUNTING PLATE
MID-TURN LIGHT

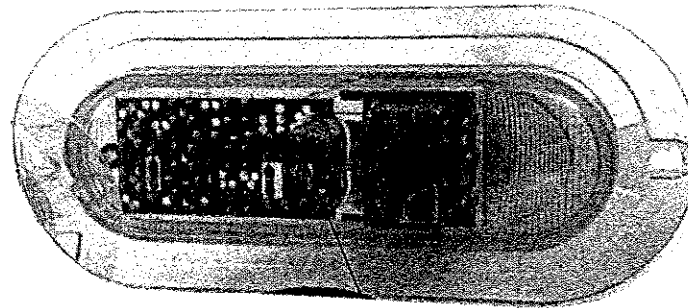
6000376 (4)
3/8"-16 x 1" BOLT

6100377 (4)
3/8"-16 NYLOK NUT

6300126 (8)
POP RIVET 6-6
STAINLESS

8000266 (5)
1/4" CUSHION CLAMP

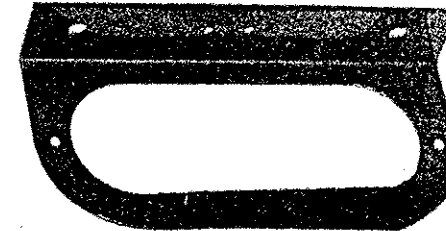
8005401 (2)
MID-TURN LAMP
MODEL 60 - LED
TRUCK-LITE 60317Y



8005495 (1)
MID-TURN HARNESS, R/H
TRUCK=LITE 51342-72"



8005489 (2)
MOUNTING BRACKET
MID-TURN LIGHT
TRUCK-LITE 60720

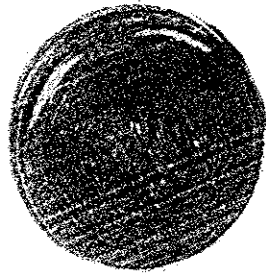


8005496 (1)
MID-TURN HARNESS, L/H
TRUCK=LITE 51343-36"

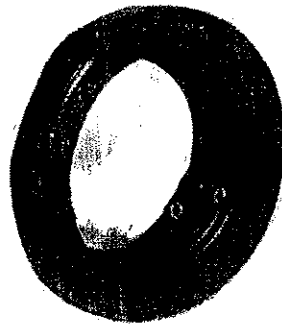
MID -TURN MARKER LIGHT AND HARNESS ASSEMBLY

800N175

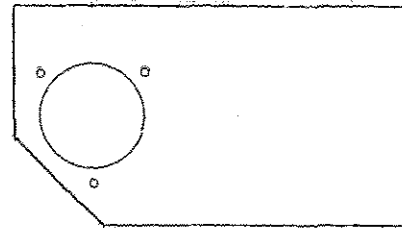
FED-EX EAST 48' TRAILER – 2007



8005485 (1)
ABS LIGHT, 2"
TRUCK-LITE 30257Y



8005391 (1)
GROMMET, 2" ABS LIGHT
TRUCK-LITE 30702



3300010 (1)
MOUNTING PLATE
ABS LIGHT

6000254 (3)
1/4"-20 x 1" BOLT

6100256 (4)
1/4"-20 KEP NUT

8000266 (2)
1/4" CUSHION CLAMP

8000268 (1)
7/16" CUSHION CLAMP

8000931 (1)
CABLE TIE



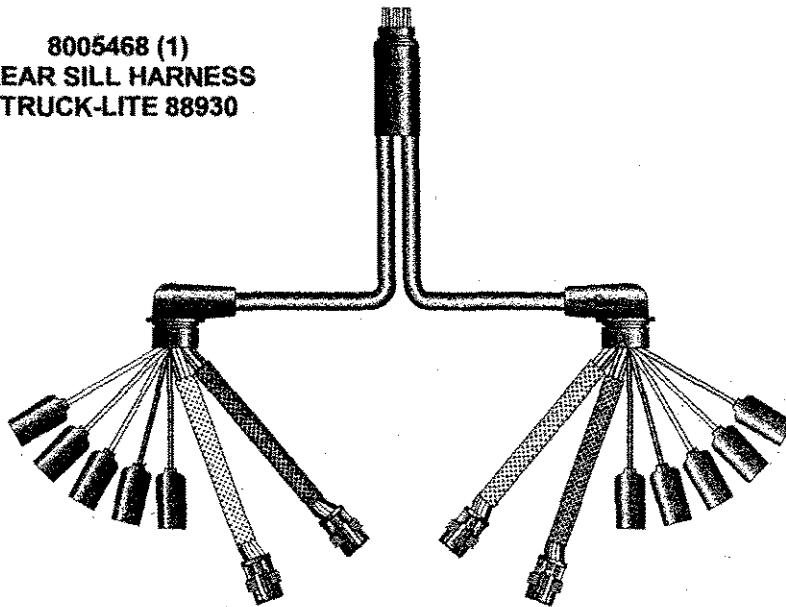
8005392 (1)
ABS HARNESS
TRUCK-LITE 52200-0228"

ABS LIGHT AND HARNESS ASSEMBLY

800N176

FED-EX EAST 48' TRAILER – 2007

8005468 (1)
REAR SILL HARNESS
TRUCK-LITE 88930



6100256 (6)
1/4"-20 KEP NUT
STAINLESS

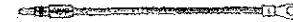
6400606 (6)
1/4"-20 c 3/4"
WELD STUD

8000262 (1)
7/8" CUSHION CLAMP

8000264 (2)
1 7/16" CUSHION CLAMP

8000271 (3)
1/2" CUSHION CLAMP

8000931 (10)
CABLE TIE



8005432 (2)
GROUND JUMPER, 6"
TRUCK-LITE 94649

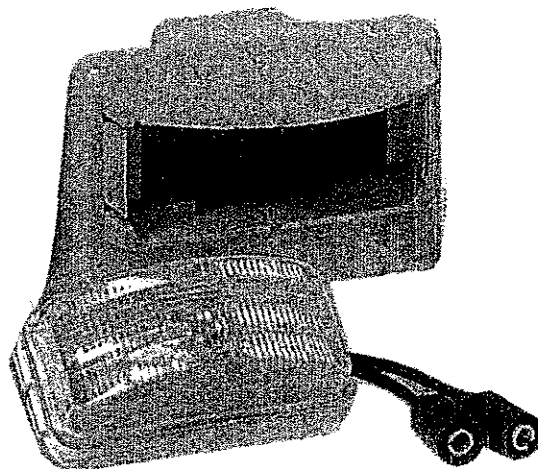
REAR SILL HARNESS ASSEMBLY

800N178

FED-EX EAST 48' TRAILER – 2007

6300139 (2)
POP RIVET 6-16

8005388 (1)
BRACKET, LICENSE LIGHT
TRUCK-LITE 15729



8000307 (1)
GASKET, LICENSE LIGHT
TRUCK-LITE 97032

8005408 (1)
LICENSE LAMP
TRUCK-LITE 15205

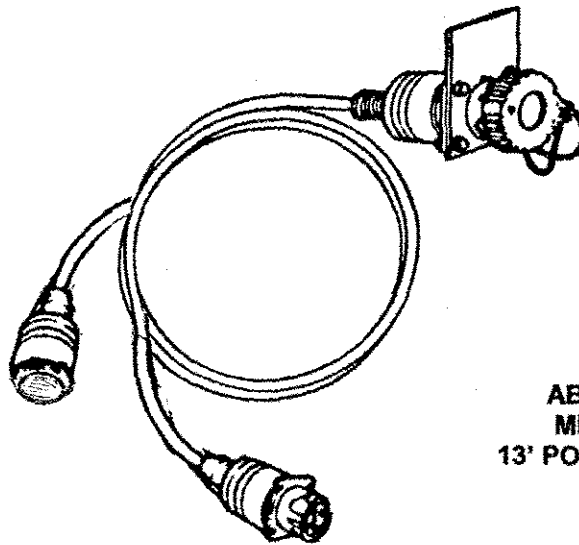


8005441 (1)
JUMPER HARNESS, 48"
TRUCK-LITE 88307-0048"

LICENSE LIGHT ASSEMBLY

800N305

FED-EX EAST 48' TRAILER – 2007



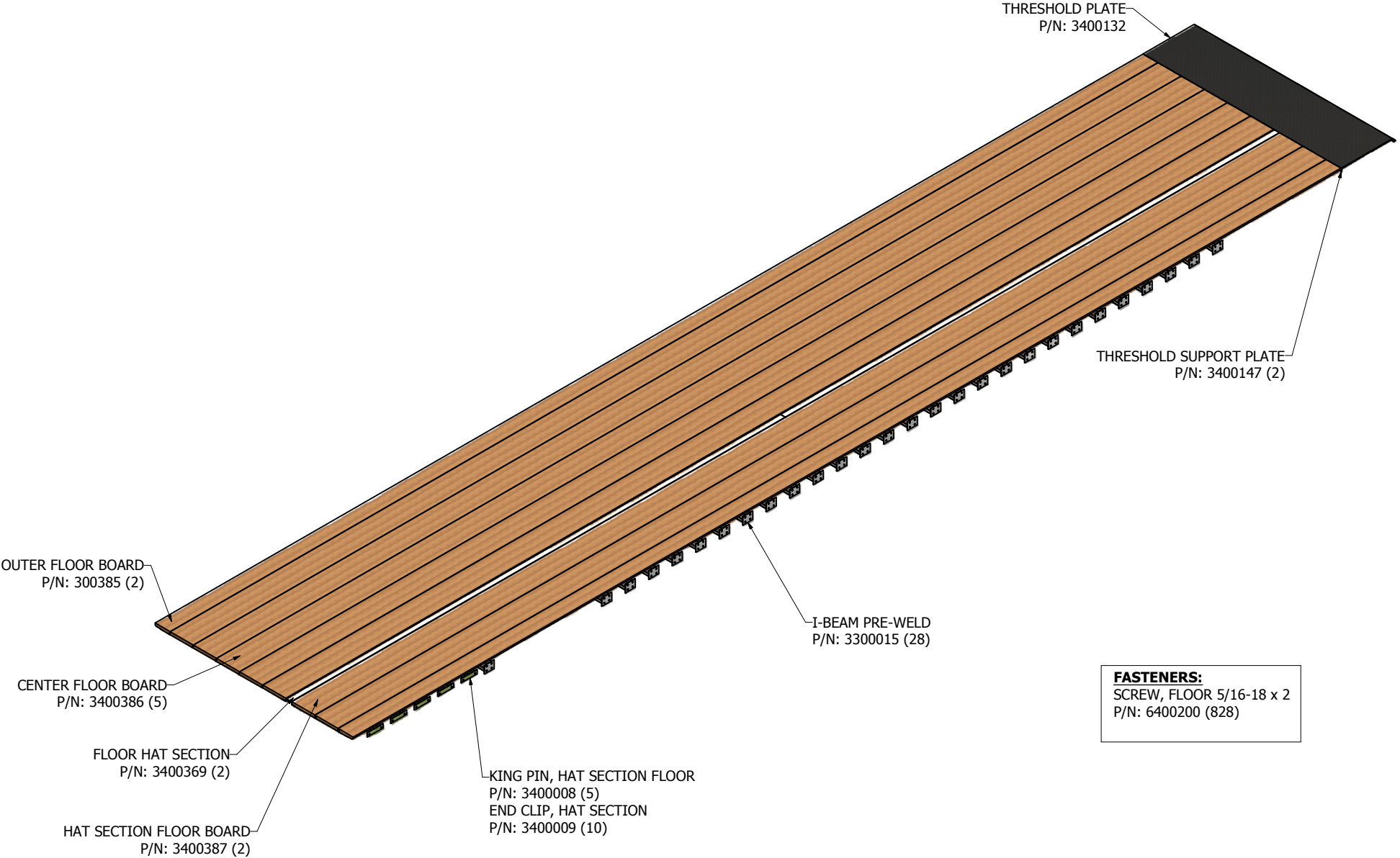
**8005419 (1)
ABS POWER HARNESS
MERITOR 449 364 15 0
13' POWER / 10' DIAG. CABLES**

ABS POWER HARNESS ASSEMBLY

800N106

FLOOR ASSMEBLY (340M030)

FED-EX 48'



THRESHOLD PLATE
P/N: 3400132

THRESHOLD SUPPORT PLATE
P/N: 3400147 (2)

OUTER FLOOR BOARD
P/N: 300385 (2)

CENTER FLOOR BOARD
P/N: 3400386 (5)

FLOOR HAT SECTION
P/N: 3400369 (2)

HAT SECTION FLOOR BOARD
P/N: 3400387 (2)

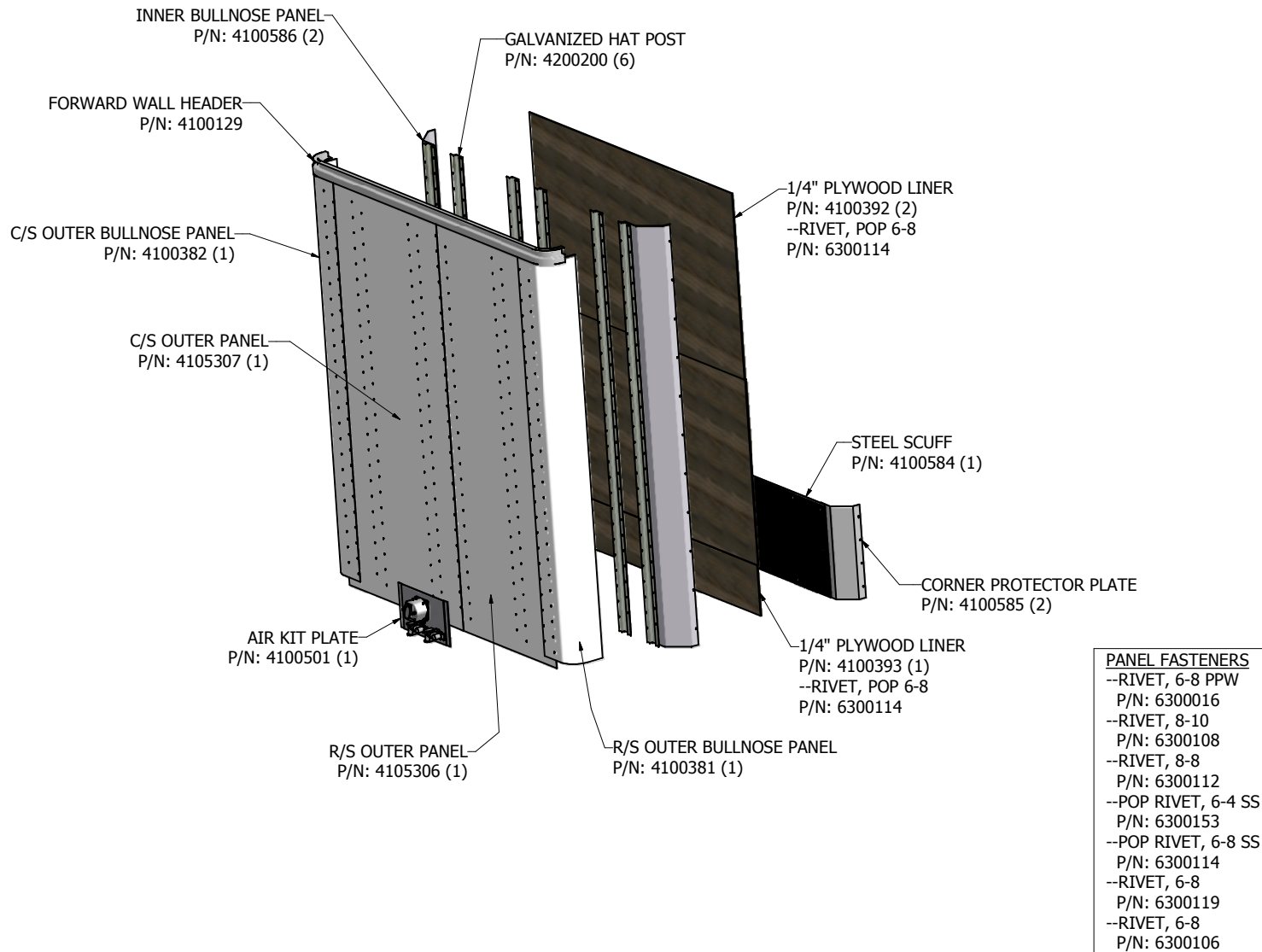
I-BEAM PRE-WELD
P/N: 3300015 (28)

KING PIN, HAT SECTION FLOOR
P/N: 3400008 (5)
END CLIP, HAT SECTION
P/N: 3400009 (10)

FASTENERS:
SCREW, FLOOR 5/16-18 x 2
P/N: 6400200 (828)

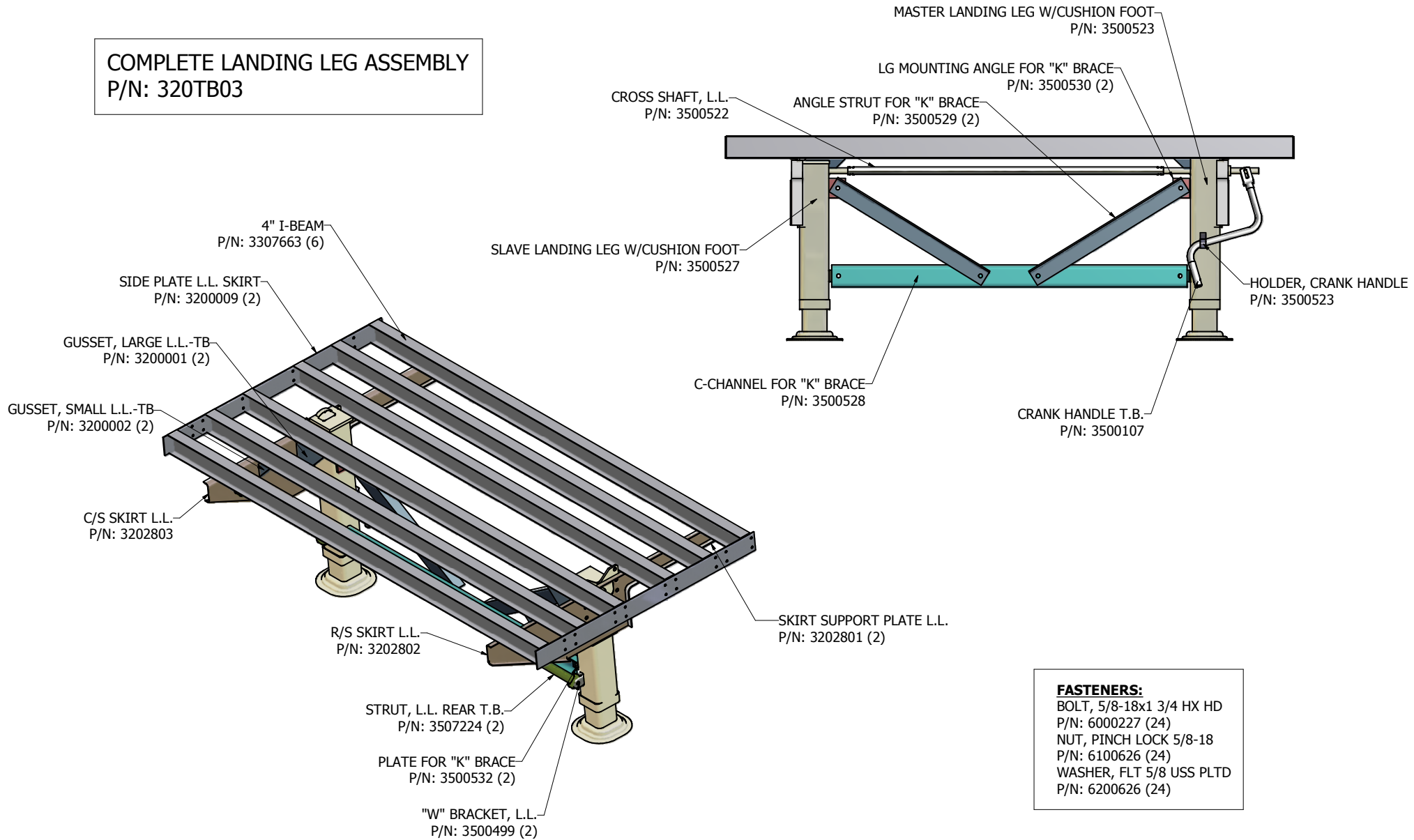
FORWARD WALL ASSEMBLY (410M016)

FED-EX 48'



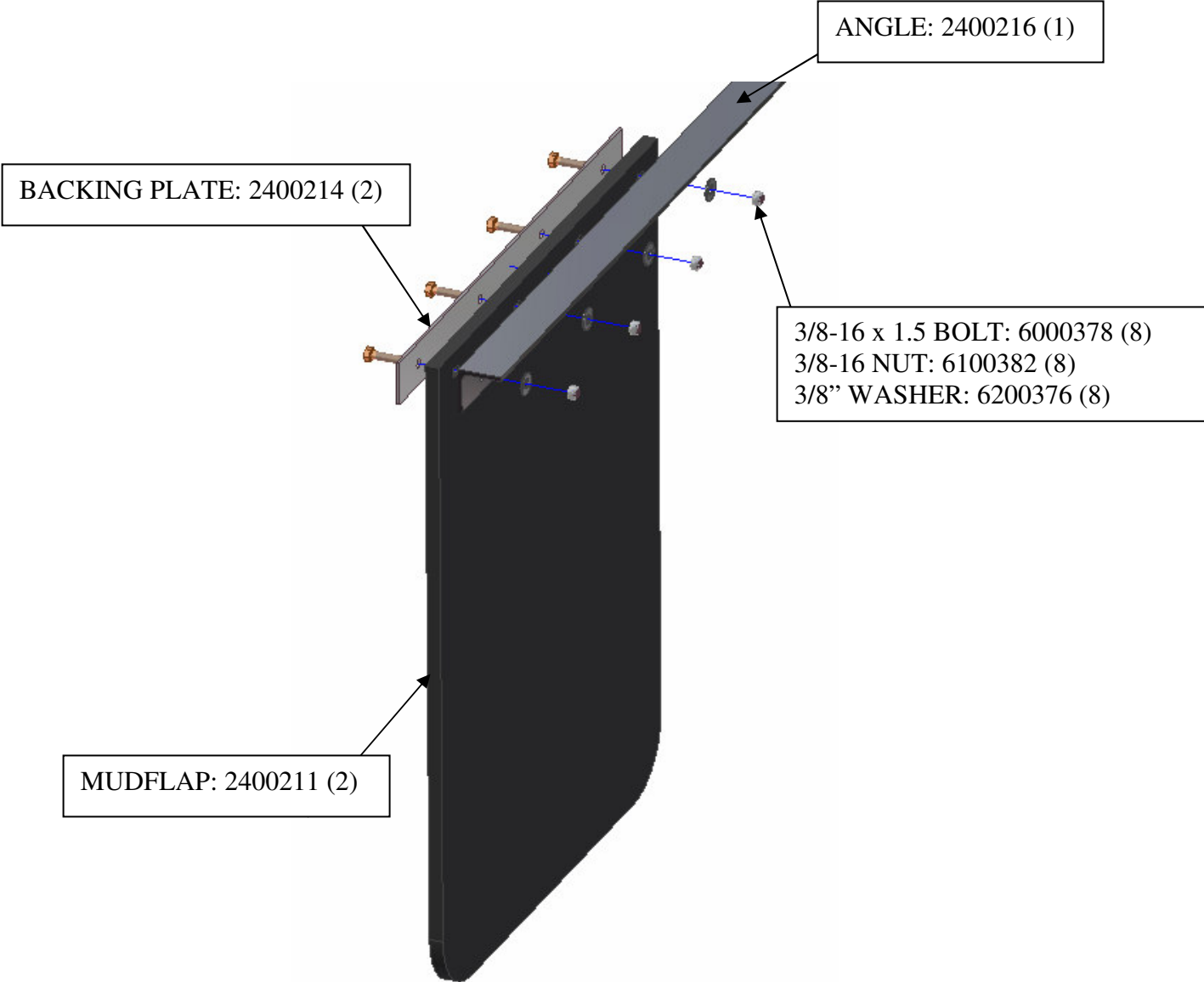
LANDING LEG ASSEMBLY FED-EX 48'

COMPLETE LANDING LEG ASSEMBLY
P/N: 320TB03



FASTENERS:
 BOLT, 5/8-18x1 3/4 HX HD
 P/N: 6000227 (24)
 NUT, PINCH LOCK 5/8-18
 P/N: 6100626 (24)
 WASHER, FLT 5/8 USS PLTD
 P/N: 6200626 (24)

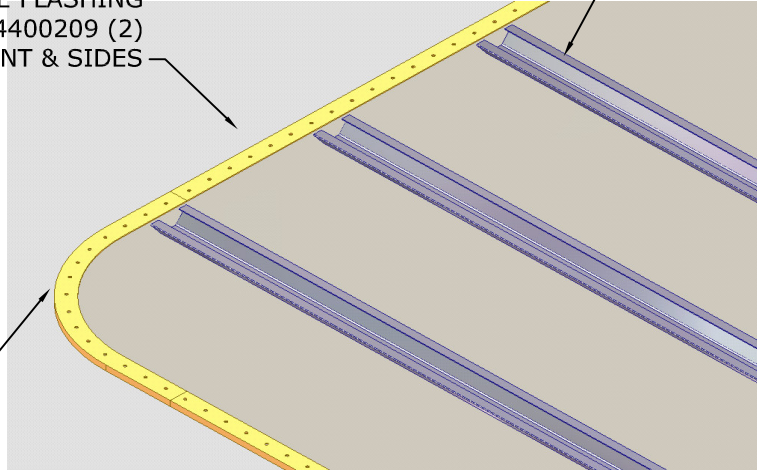
MUDFLAP COMPONENTS FOR SEMI'S



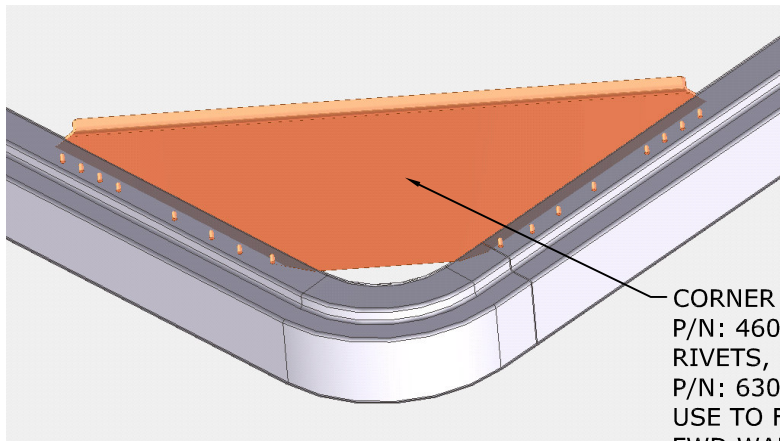
ALUMINUM ROOF COMPONENTS

REAR/SIDE FLASHING
P/N: 4400209 (2)
LOCATED ON FRONT & SIDES

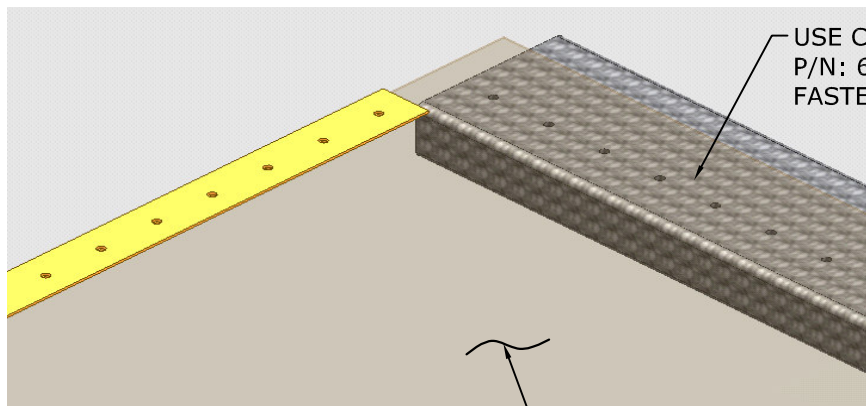
GALV. ROOF BOWS
P/N: 4400310 (26)
SPACED ON 24" CENTERS



CORNER FLASHING
P/N: 4400212 (2)
LOCATED ON
FRONT RADIUS CORNERS



CORNER ATTACHMENT PLATE
P/N: 4607205 (2)
RIVETS, 6-8
P/N: 6300106
USE TO FASTEN PLATE TO
FWD WALL HEADER / UPPER RAIL



USE CLOSED END POP-RIVETS
P/N: 6300015
FASTEN TO REAR DOOR HEADER

RIVETS, 6-8
P/N: 6300105
USE TO FASTEN ROOF BOWS
TO UPPER RAIL / FWD WALLHEADER
AND FLASHING & COIL TO
UPPER RAIL / FWD WALL HEADER

ALUMINUM ROOF COIL,
040 x 012.625 (265 lbs)
P/N: 7800404

C/S SIDEWALL ASSEMBLY
P/N: 421SW17
R/S SIDEWALL ASSEMBLY
P/N: 422SW17

SIDEWALL ASSEMBLY FED-EX 48'

SIDEWALL FASTENERS:

SCREW, 1/4-20 X 1 TORX
P/N: 6400207

RIVET, 6-10 PPW
P/N: 6300022

RIVET, 8-7
P/N: 6300104

RIVET, SSDSS-34
P/N: 6300128

RIVET, MAGNA LOC 8-4
P/N: 6300157

RIVET, SSD86SSBS
P/N: 6300158

BOLT, 3/8-16 X 1-1/4 TORX GR 5.1
P/N: 6000363

LOCKNUT, 3/8-16 NYLON PLTT
P/N: 6100377

RIVET, 6-6 PPW
P/N: 6300001

RIVET, 8-8 PPW
P/N: 6300006

RIVET, 8-10 PPW
P/N: 6300013

RIVET, 6-8 PPW
P/N: 6300016

RIVET, 8-10
P/N: 6300108

RIVET, 8-8
P/N: 6300112

SCREW, HEX CAP 1/4-20 X 1
P/N: 6000254

LOCKNUT, 1/4-20 HEX
P/N: 6100258

WASHER, FLAT 1/4 SAE PLTD
P/N: 6200252

R/S FRONT PANEL
P/N: 4200353 (1)
C/S FRONT PANEL
P/N: 4200350 (1)

R/S, FRONT PLASTIC PANEL
P/N: 4200360 (1)
C/S, FRONT PLASTIC PANEL
P/N: 4200360 (1)

FRONT D-RING ASSEMBLY
P/N: 420N263 (2 PER WALL)
--FRONT D-RING BACKING PLATE
P/N: 4200169 (1)
--OFFSET D-RING
P/N: 9000035 (1)

SKYLIGHT ASSEMBLY
P/N: 420N093 (10 PER WALL)
--SKYLIGHT PLATE
P/N: 4200515 (1)
--LEXAN BACKING PLATE
P/N: 4200516 (1)

D-RING ASSEMBLY
P/N: 420N266 (22 PER WALL)
--D-RING LOOP, SURFACE MOUNT
P/N: 4200180 (1)
--D-RING PROTECTOR FLANGE
P/N: 4200182 (1)

R/S PLASTIC LINER
P/N: 4200140 (22)
C/S PLASTIC LINER
P/N: 4200140 (22)

R/S, SIDEWALL PANEL
P/N: 4200354 (10)
C/S, SIDEWALL PANEL
P/N: 4200351 (10)

R/S, SIDEPOST HAT, NON-LOGISTIC 109.50"L
P/N: 4200459 (7)
C/S, SIDEPOST HAT, NON-LOGISTIC 109.50"L
P/N: 4200459 (7)

R/S, HAT POST, NON-LOGISTIC 108.50"L
P/N: 4200369 (15)
C/S, HAT POST, NON-LOGISTIC 108.50"L
P/N: 4200369 (15)

R/S, POST, SIDEWALL 108.50"L
P/N: 4200359 (17)
C/S, POST, SIDEWALL 108.50"L
P/N: 4200359 (17)

R/S SCUFFLINER, PLASTIC 12"
P/N: 4200048 (2)
C/S SCUFFLINER, PLASTIC 12"
P/N: 4200048 (2)

R/S, POST, SIDEWALL 109.50"L
P/N: 4200289 (7)
C/S, POST SIDEWALL 109.50"L
P/N: 4200289 (7)

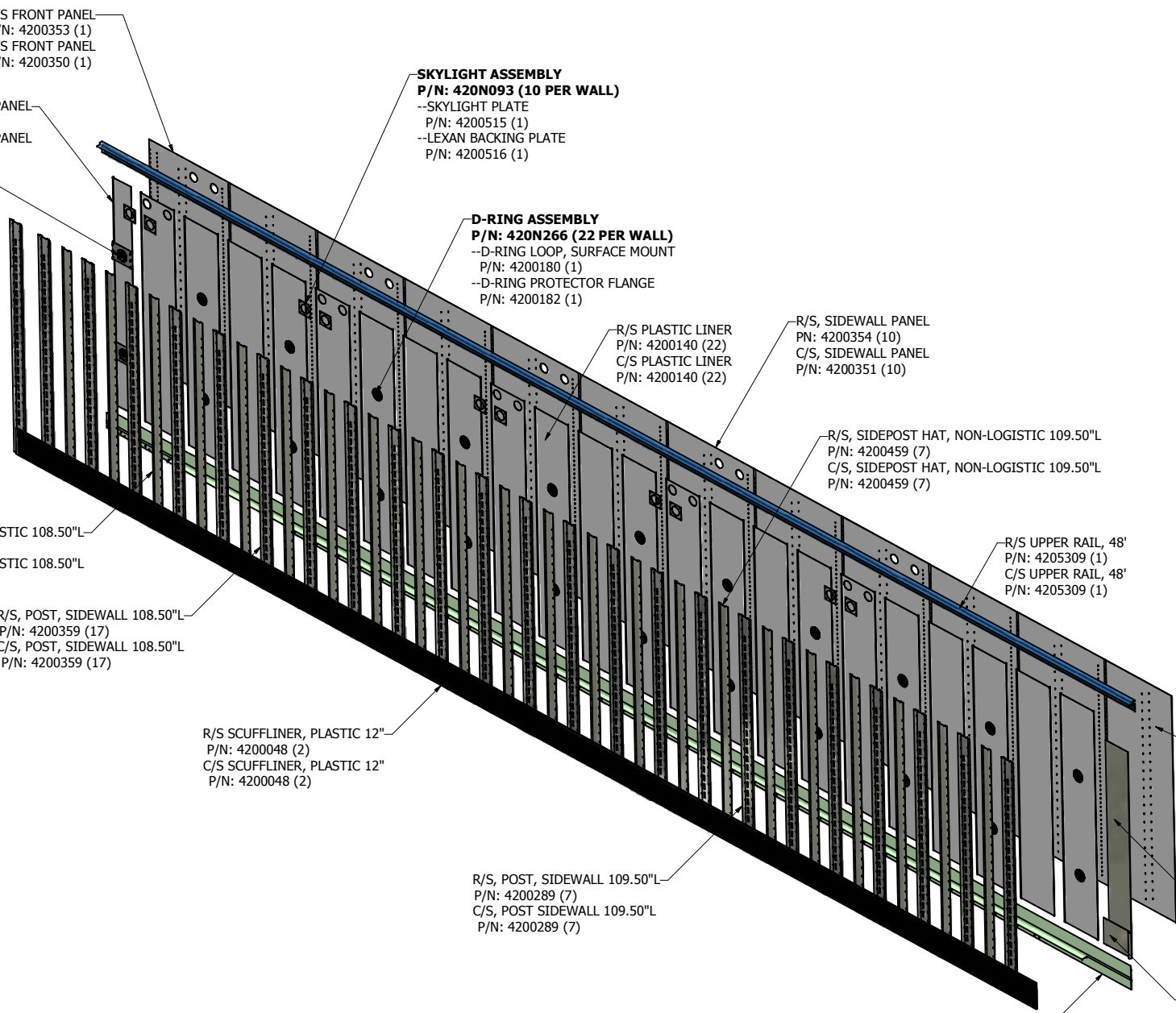
R/S UPPER RAIL, 48'
P/N: 4205309 (1)
C/S UPPER RAIL, 48'
P/N: 4205309 (1)

R/S, REAR PANEL
P/N: 4200352 (1)
C/S, REAR PANEL
P/N: 4200352 (1)

R/S INNER GALV. PANEL
P/N: 4200348 (1)
C/S INNER GALV. PANEL
P/N: 4200348 (1)

R/S DOOR TRACK GUARD WEDGE
P/N: 4300306 (1)
C/S DOOR TRACK GUARD WEDGE
P/N: 4300306 (1)

R/S LOWER RAIL, 48'
P/N: 4205310 (1)
C/S LOWER RAIL, 48'
P/N: 4205310 (1)



FED-EX EAST 48' TRAILER

2104625 (1)
LOCATOR BAR ASSEMBLY
HUTCH 11642-10

2104608 (2)
FIXED STOP PIPE

4306238 (4)
BLOCK

2300111 (4)
WEAR PAD, SPRING HANGER
HUTCH 00755-03

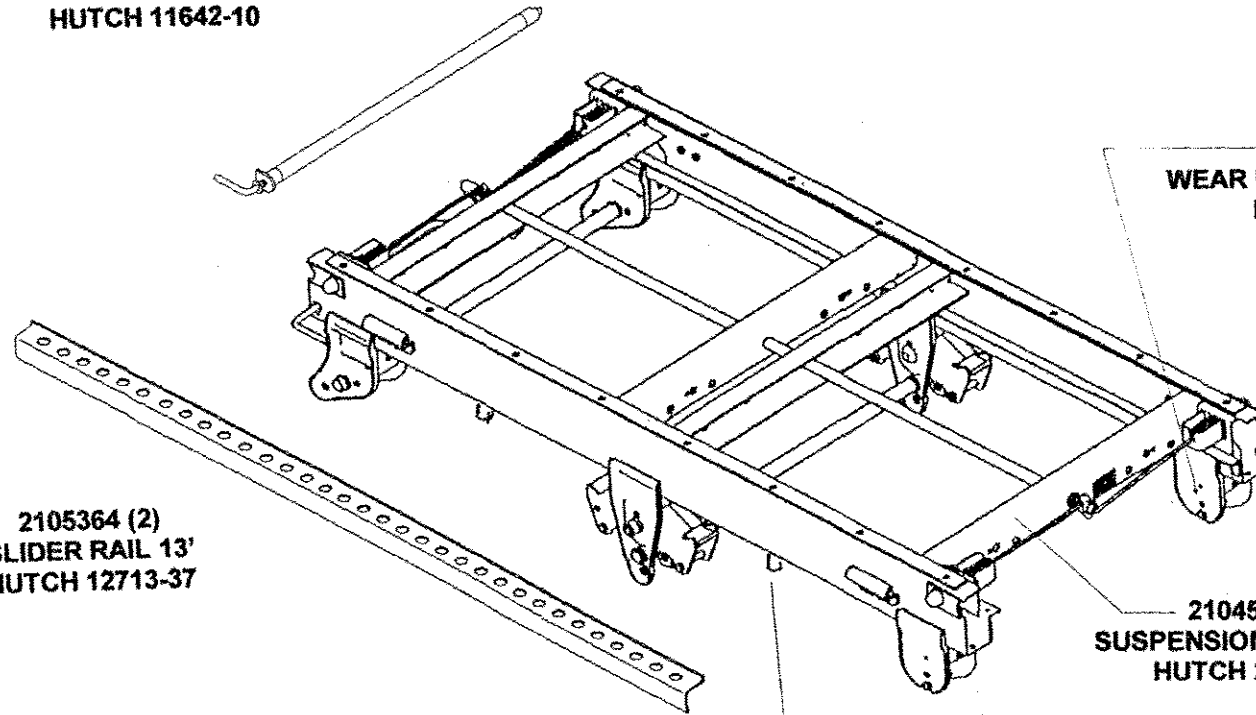
2105364 (2)
SLIDER RAIL 13'
HUTCH 12713-37

2104557 (1)
SUSPENSION ASSEMBLY
HUTCH 20324-03

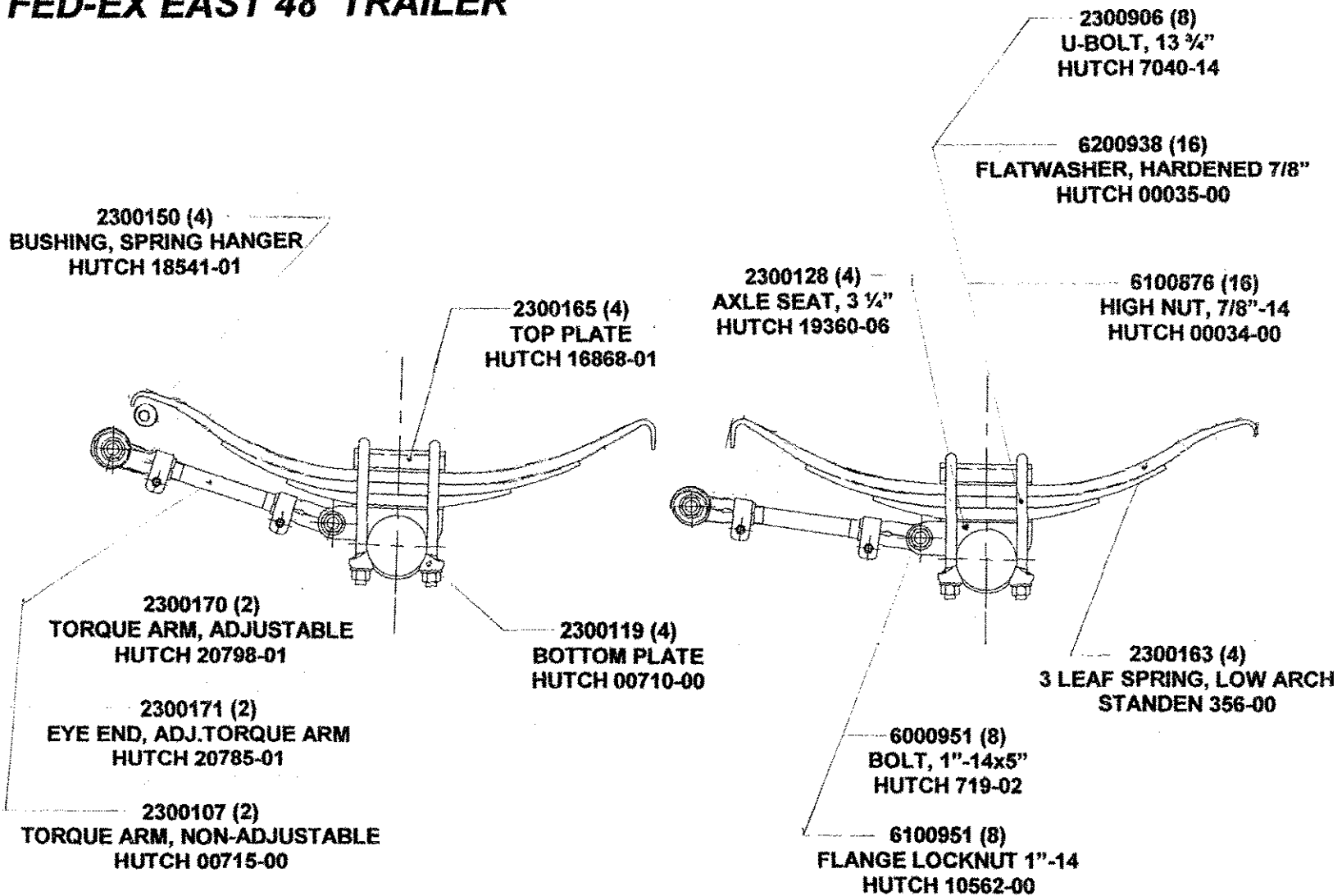
2100027 (4)
GUSSET, SLIDER RAIL SUPPORT

2104607 (4)
AXLE STOP PIPE

SLIDING SUSPENSION ASSEMBLY



FED-EX EAST 48' TRAILER



SLIDING SUSPENSION ASSEMBLY

UPPER COUPLER ASSEMBLY FED-EX 48'

