

RSI53-20
53' TRAILER
"OSTRANGER"

RSI53-20

53' TRAILER

AIR BRAKE ASSEMBLY

2008

700M060

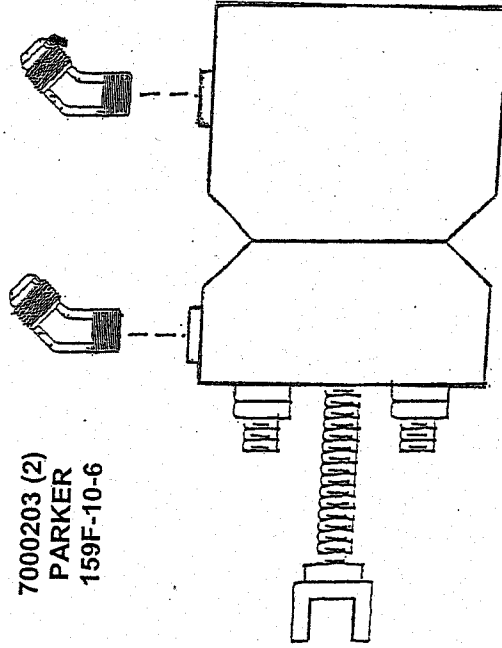
AIR BRAKE CHAMBER CONNECTOR ASSEMBLY

SERVICE

7000203 (2)
PARKER
159F-10-6

EMERGENCY

7000864 (2)
PARKER
159F-8-6



2200199 (4)
AIR BRAKE CHAMBER
HALDEX 30/30 166101

AIR BRAKE HOSE COMPONENTS

7000001
PARKER
16826-8-8



7000116
PARKER
293-8



7000173
PARKER
10126-6-8



7000001
PARKER
16826-8-8



7000116
PARKER
293-8



7000142
PARKER
68NTA-6-6

EMERGENCY

SERVICE

7000002
PARKER
16826-10-10



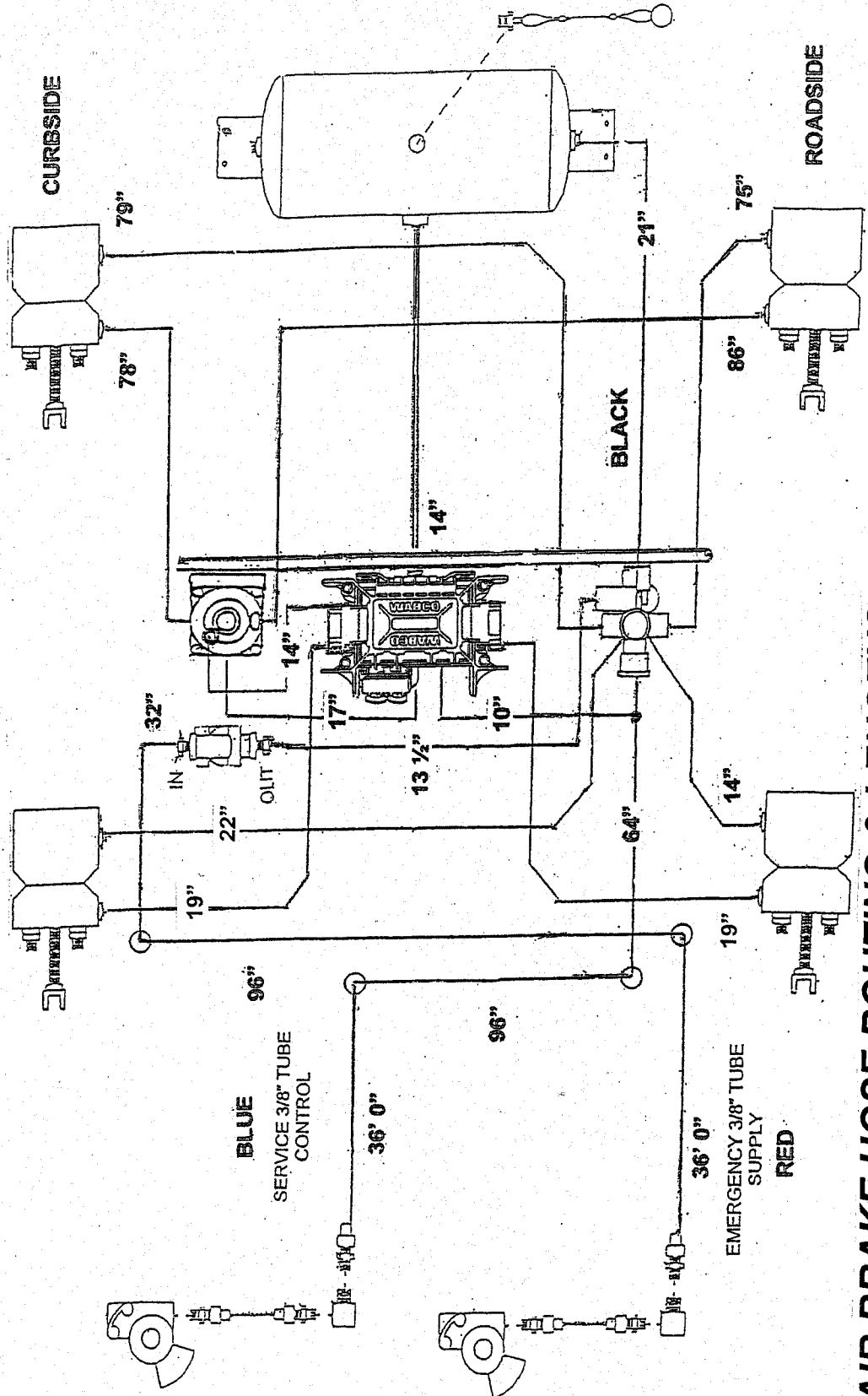
7000117
PARKER
293-10



7000002
PARKER
16826-10-10

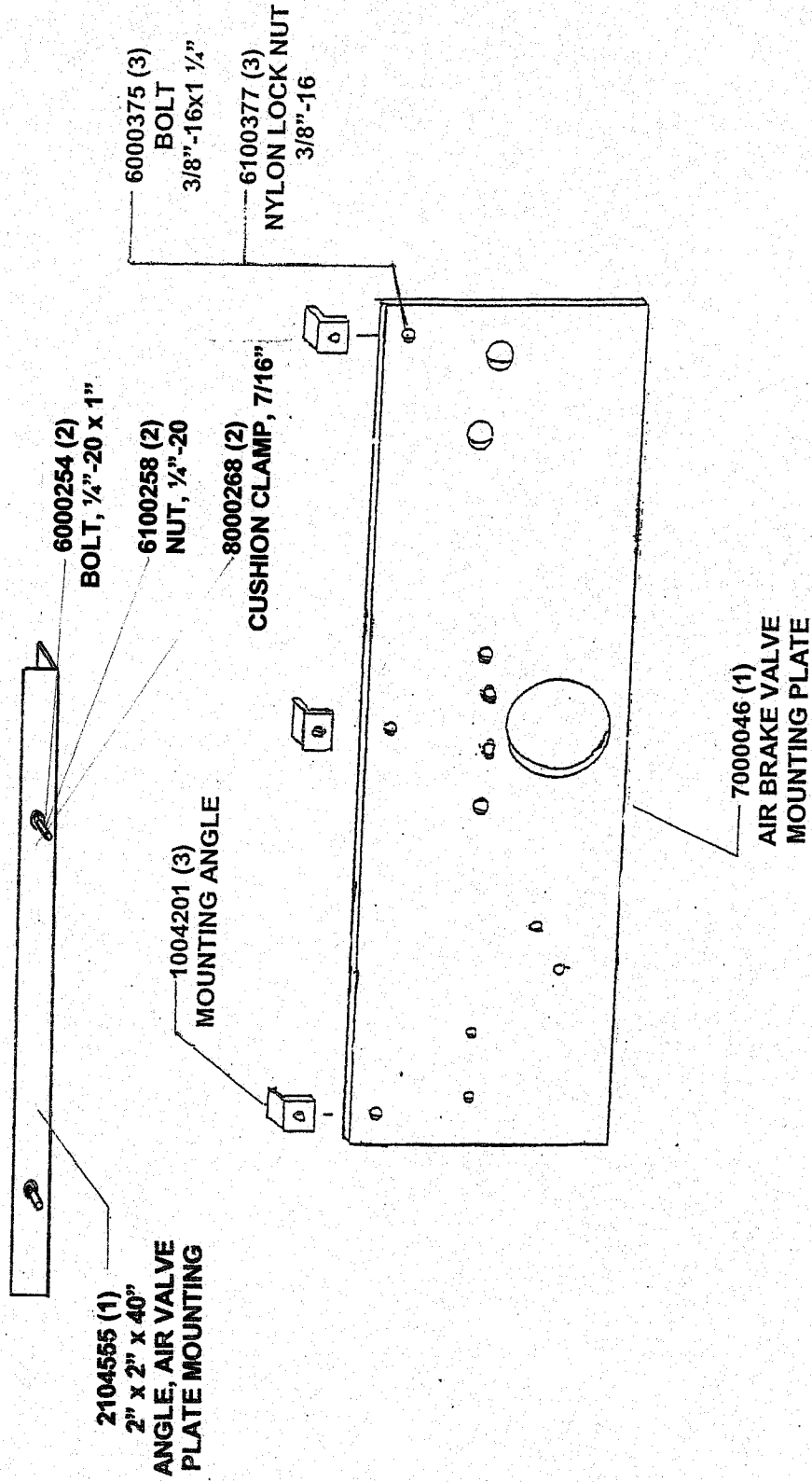
RSI53-20

SHORT CAM AXLES



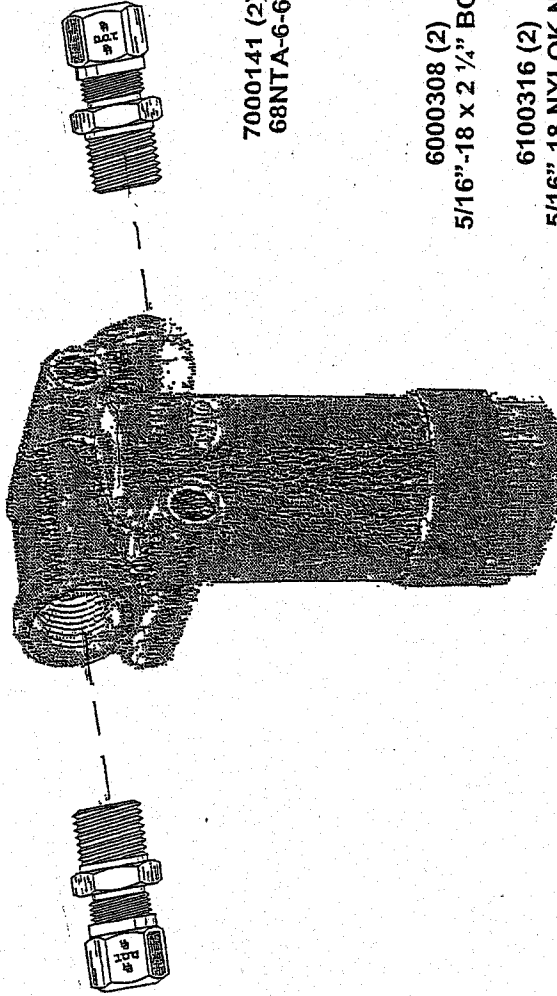
AIR BRAKE HOSE ROUTING & LENGTHS

AIR BRAKE VALVE MOUNTING PLATE ASSEMBLY



AIR FILTER ASSEMBLY

7000110 (1)
2550 SEALCO
AIR FILTER



7000141 (2)
68NTA-6-6

6000308 (2)
5/16"-18 x 2 1/4" BOLT

6100316 (2)
5/16"-18 NYLOK NUT

AIR TANK ASSEMBLY

700N104
AIR TANK FASTENER ASSEMBLY

6000375 (4)
BOLT - GRADE 8
3/8" -16 x 1 1/2"

6100381 (4)
LOCKNUT - GRADE 8
3/8" -16

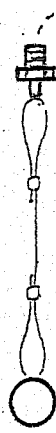
6200376 (8)
FLAT WASHER
3/8" USS

7000851 (1)
3/8" NPT
PIPE PLUG

DRAIN VALVE ASSEMBLY
700N016

7000165 (1)
DRAIN VALVE - 60"
HEBCO / SLOAN 401047

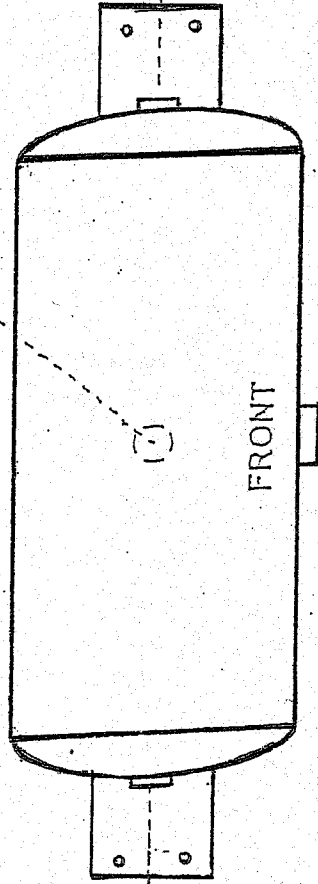
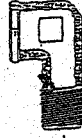
7000901 (1)
RING, 1"
BARON 8894T50



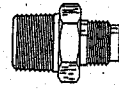
7000143 (1)
PARKER
68NTA-8-6



7000931 (1)
STREET ELBOW
3/8" x 3/8"



7000102 (1)
AIR TANK 12"
HOOSIER HT-1211

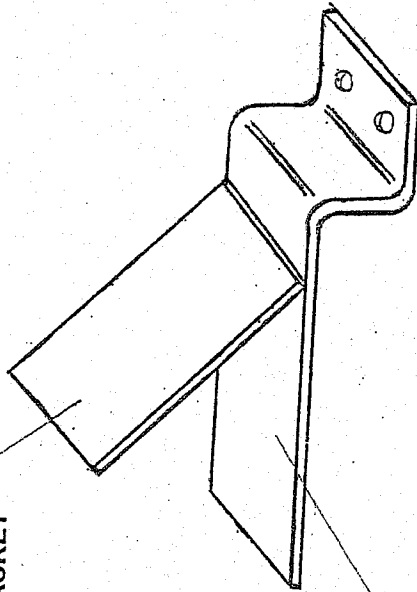


7000170 (1)
PARKER
48F-10-12

700N056

AIR TANK MOUNTING BRACKET ASSEMBLY

2201657 (2)
GUSSET, AIR TANK
MOUNTING BRACKET

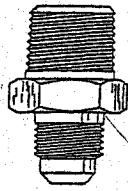
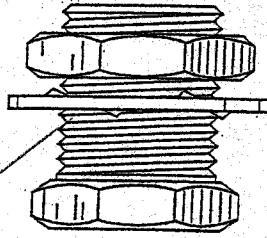


2204501 (2)
BRACKET, AIR
TANK MOUNTING

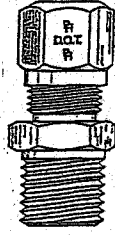
210N764
210N769

ANCHOR CONNECTOR ASSEMBLY – SLIDER HOSES

7000172 (2)
207ACBH-8



7000151 (2)
48F-8-8



7000144 (2)
68NTA-6-8



2104528 (1)
MOUNTING PLATE

6300115 (3)
POP RIVET, 8-6

8000268 (2)
7/16" CUSHION CLAMP



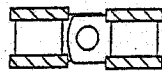
6300126 (2)
POP RIVET, 6-6

CHANNEL, SLIDER HOSE HANGER ASSEMBLY

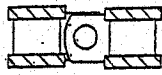
LOCATED ON SUSPENSION BOX



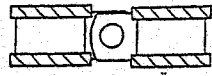
6100256 (3)
1/4"-20 S.S. KEP NUT



8000268 (4)
7/16" CUSHION CLAMP

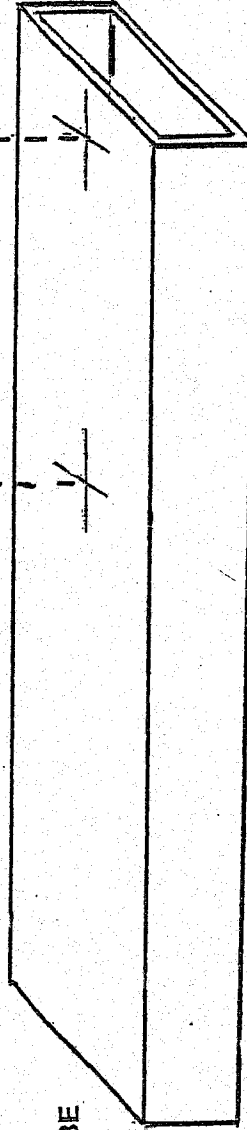


7/16"



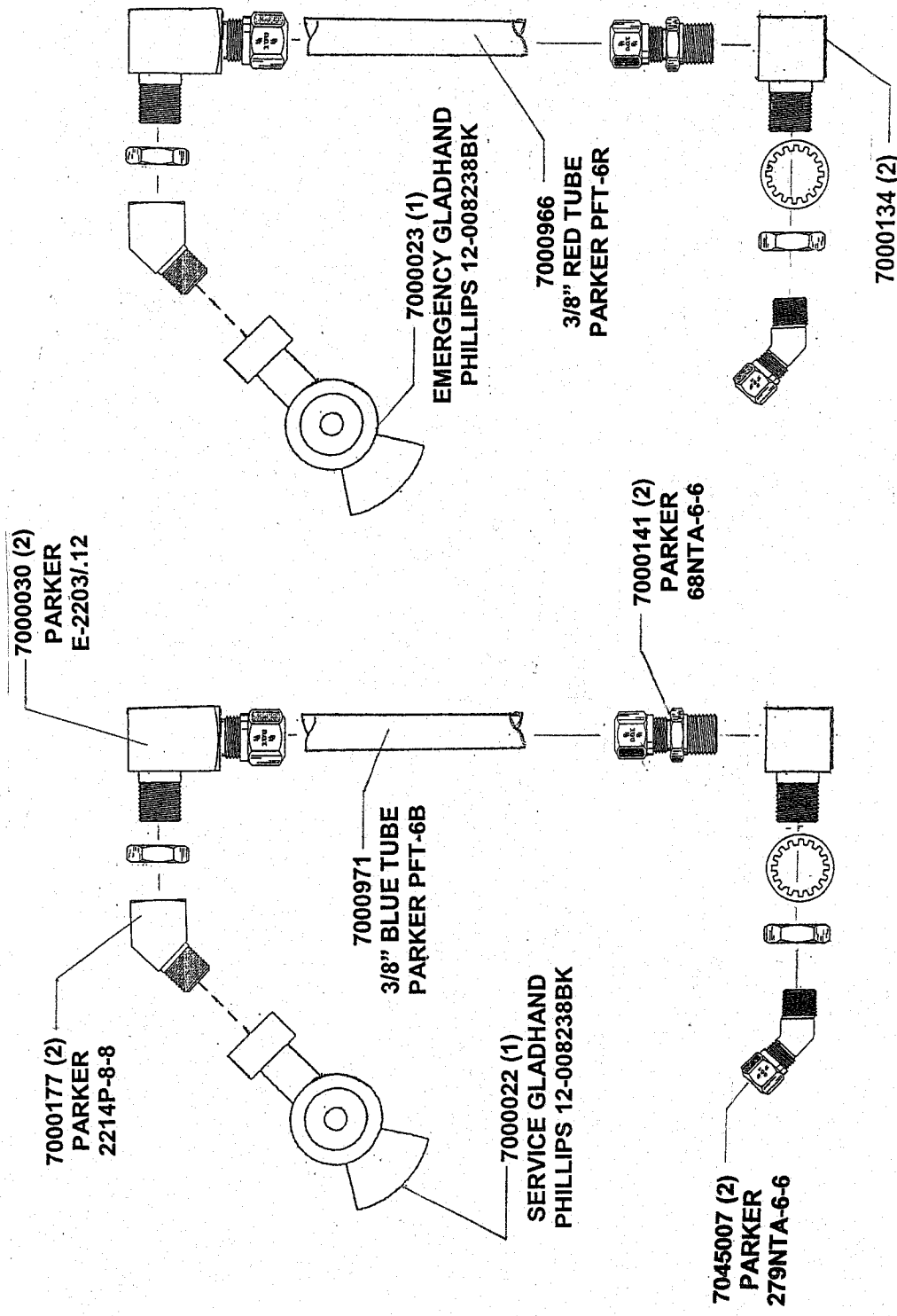
8000261 (4)
3/4" CUSHION CLAMP

6000254 (3)
BOLT
1/4"-20 x 1"



7700533 (1)
MOUNTING TUBE

FRONT



7000030 (2)
PARKER
E-2203/12

7000177 (2)
PARKER
2214P-8-8

7000971
3/8" BLUE TUBE
PARKER PFT-6B

7000022 (1)
SERVICE GLADHAND
PHILLIPS 12-008238BK

7000141 (2)
PARKER
68NTA-6-6

7045007 (2)
PARKER
279NTA-6-6

7000023 (1)
EMERGENCY GLADHAND
PHILLIPS 12-008238BK

7000966
3/8" RED TUBE
PARKER PFT-6R

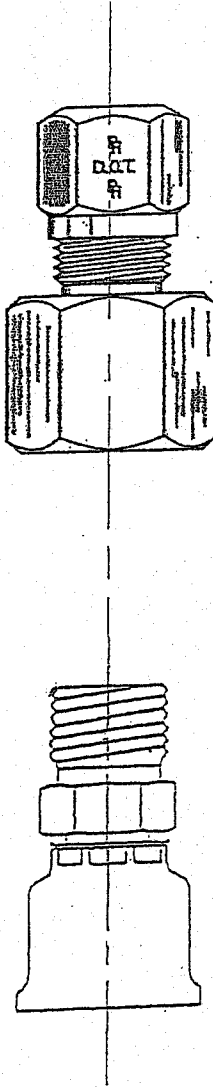
7000134 (2)
ANCHOR COUPLING
TRAMEC 50016 / 3/8"

GLADHAND ASSEMBLY -- FLUSH MOUNT FORWARD WALL

HOSE ADAPTOR ASSEMBLY

7700533 (1)
1" x 2" x 24"
HOSE HANGER TUBE

REF: 210N102



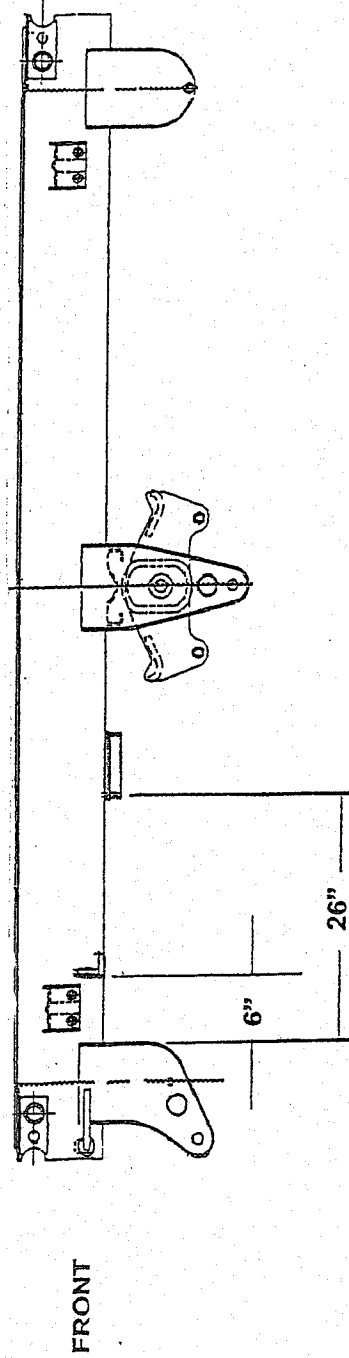
7000173 (2)
10126-6-8

7000142 (2)
68NTA-6-6

LOCATIONS - VALVE PLATE & AIR TANK

2104555 (1)
2" x 2" x 40"

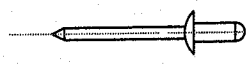
AIR PLATE MOUNTING ANGLE



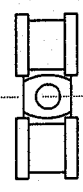
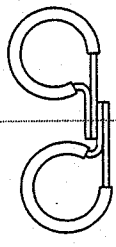
2204501 (2)
AIR TANK MOUNTING BRACKET

MAIN HARNESS AND TUBING CLAMP ASSEMBLY

6300126 (1)
POP RIVET, 6-6

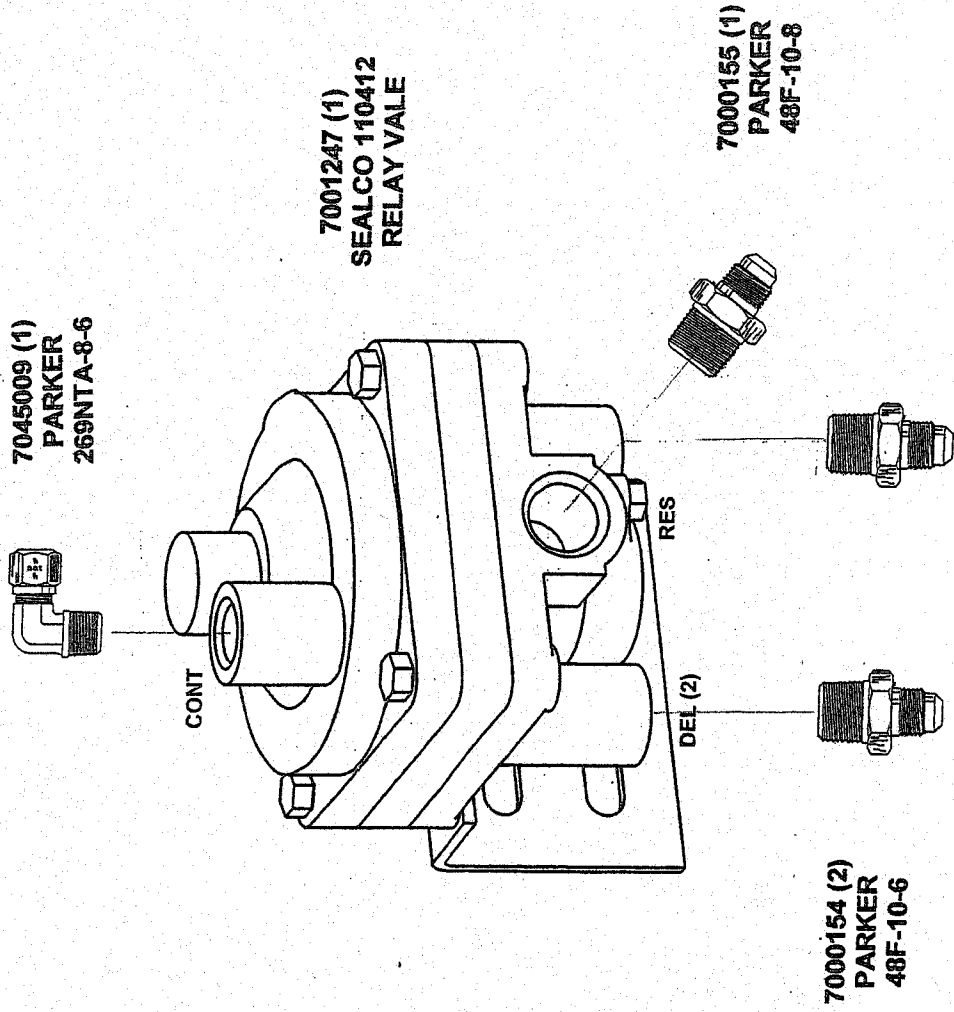


8000261 (2)
3/4" CUSHION CLAMP



LOCATED AT ROADSIDE,
REAR OF UPPER COUPLER

RELAY VALVE ASSEMBLY



7045009 (1)
PARKER
269NTA-8-6

7001247 (1)
SEALCO 110412
RELAY VALE

7000155 (1)
PARKER
48F-10-8

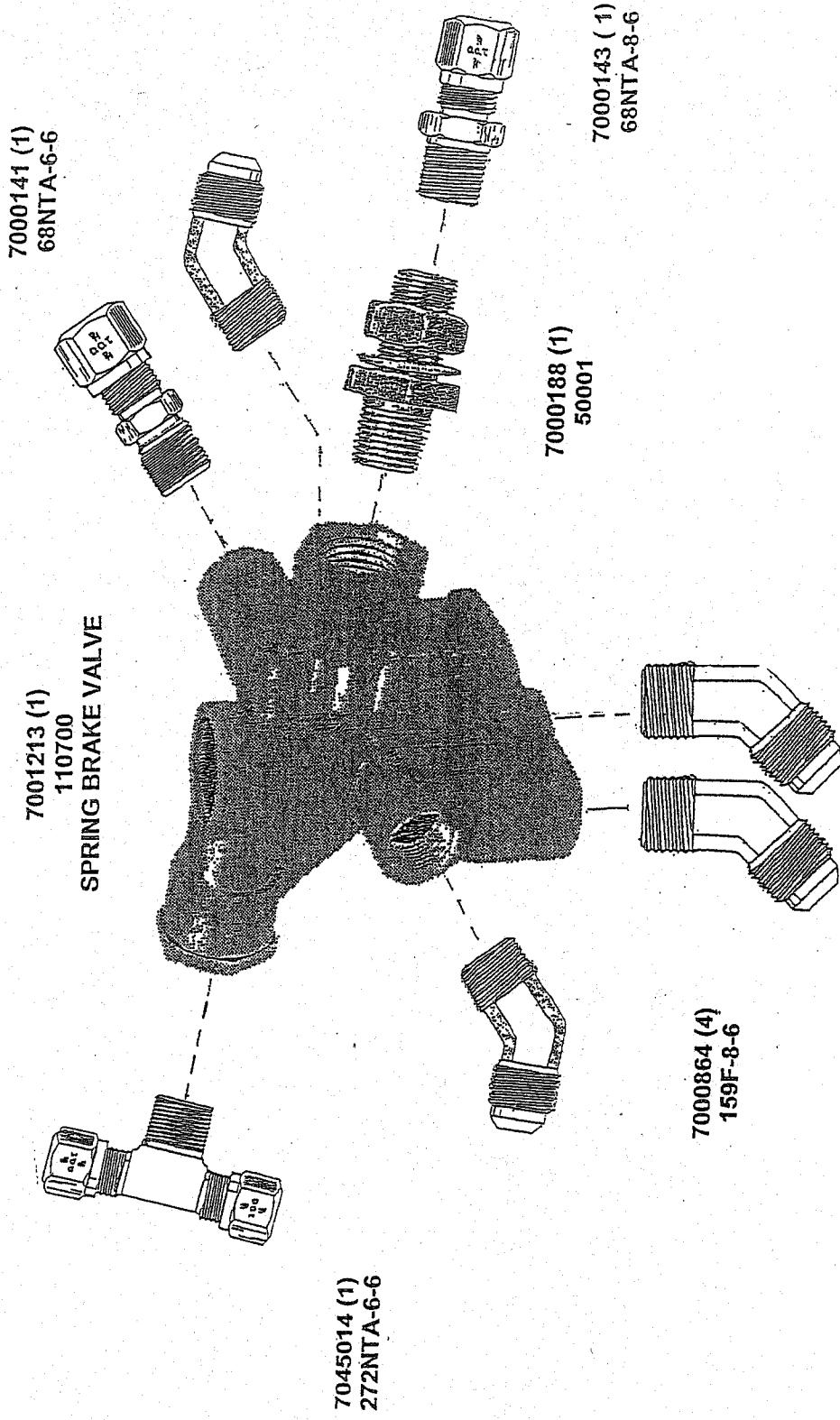
7000154 (2)
PARKER
48F-10-6

6000376 (2)
BOLT
3/8"-16 x 1"

6100377 (2)
LOCKNUT
3/8"-16

6200378 (2)
FLAT WASHER
3/8" SAE

SPRING BRAKE VALVE ASSEMBLY



RSI 53'20 TRAILER - 700N237

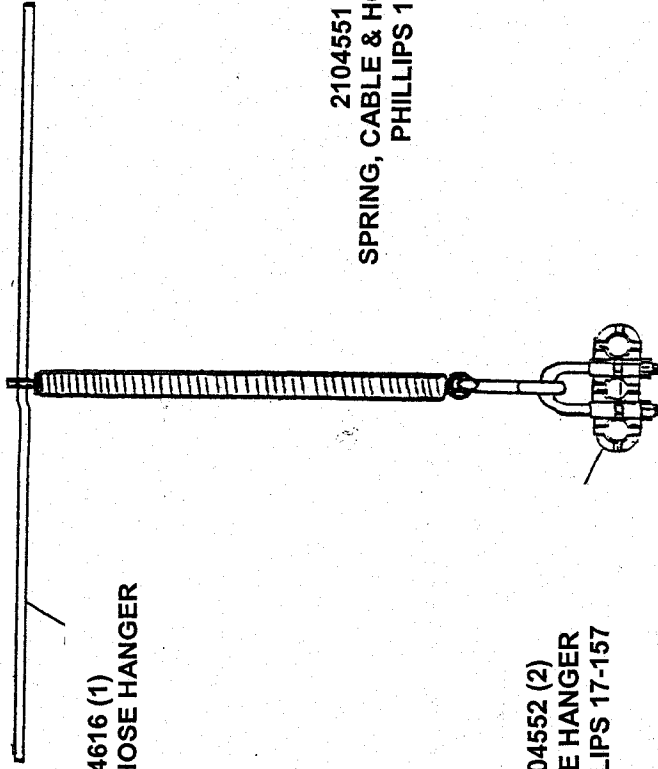
V.3 5-19-08

WITH SPRING SUSPENSION AND RELAY VALVE & SHORT CAMSHAFT AXLES

AIR BRAKE HOSE LIST

RSI #	QTY	SIZE	TUBE / HOSE	CONN. 7000002	CONN. 7000001	CONN. 7000173
7000966	40' 0"	3/8"	RED			
7000968	3-0'	1/2"	BLACK			
7000971	42' 0"	3/8"	BLUE			
7100017	1	14"	7000116	# 8	2	
SPRING BRAKE VALVE TO FRONT AIR CHAMBER R/S						
7100037	2	96"	7000116	# 8	1	1
SLIDER HOSES						
7100038	1	75"	7000116	# 8	2	
SPRING BRAKE VALVE TO REAR AIR CHAMBER R/S						
7100034	1	79"	7000116	# 8	2	
SPRING BRAKE VALVE TO REAR AIR CHAMBER C/S						
7100058	1	22"	7000116	# 8	2	
SPRING BRAKE VALVE TO FRONT AIR CHAMBER C/S						
7100019	1	78"	7000117	#10	2	
RELAY VALVE TO REAR AIR CHAMBER C/S						
7100010	1	17"	7000117	#10	2	
ABS VALVE TO RELAY VALVE						
7100029	1	86"	7000117	#10	2	
RELAY VALVE TO REAR AIR CHAMBER R/S						
7100040	1	14"	7000117	#10	2	
ABS VALVE TO AIR TANK						
7100059	2	19"	7000117	#10	2	
ABS VALVE TO FRONT AIR CHAMBER R/S & C/S						

SPRING TENDER ASSEMBLY



2104616 (1)
ROD, AIR HOSE HANGER

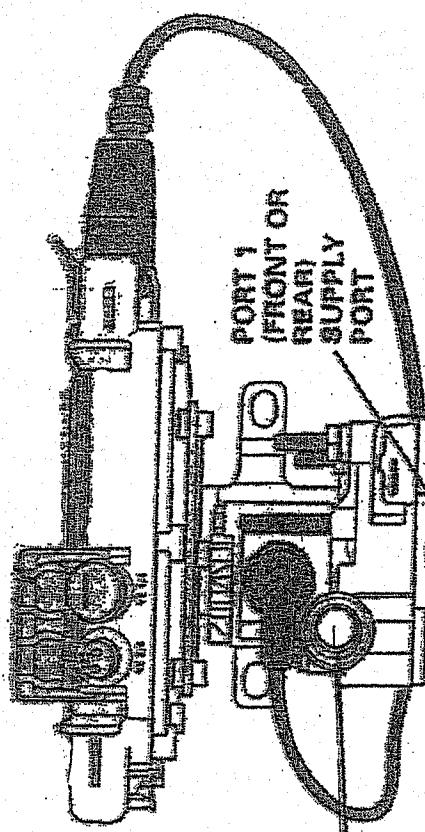
2104551 (2)
SPRING, CABLE & HOSE SUPPORT
PHILLIPS 17-116

2104552 (2)
HOSE HANGER
PHILLIPS 17-157

WABCO ABS VALVE ASSEMBLY

- 7001218 (2)
SENSOR W/ SOCKET
MERITOR 441-032-8080
- 7001223 (2)
SENSOR WIRE 72"
MERITOR 449-713-0180
- 7001224 (2)
SENSOR CLIP
MERITOR 899-759-8154
- 7001230 (1)
POWER CABLE
MERITOR S 4493260600

- 7001229 (1)
MERITOR ABS VALVE
S4005001010



- 7045008 (1)
PARKER
269NTA-6-6

- 7045009 (1)
PARKER
269NTA-8-6

- 6000375 (2)
BOLT
3/8"-16 x 1 1/4"
- 6100377 (2)
LOCKNUT
3/8"-16

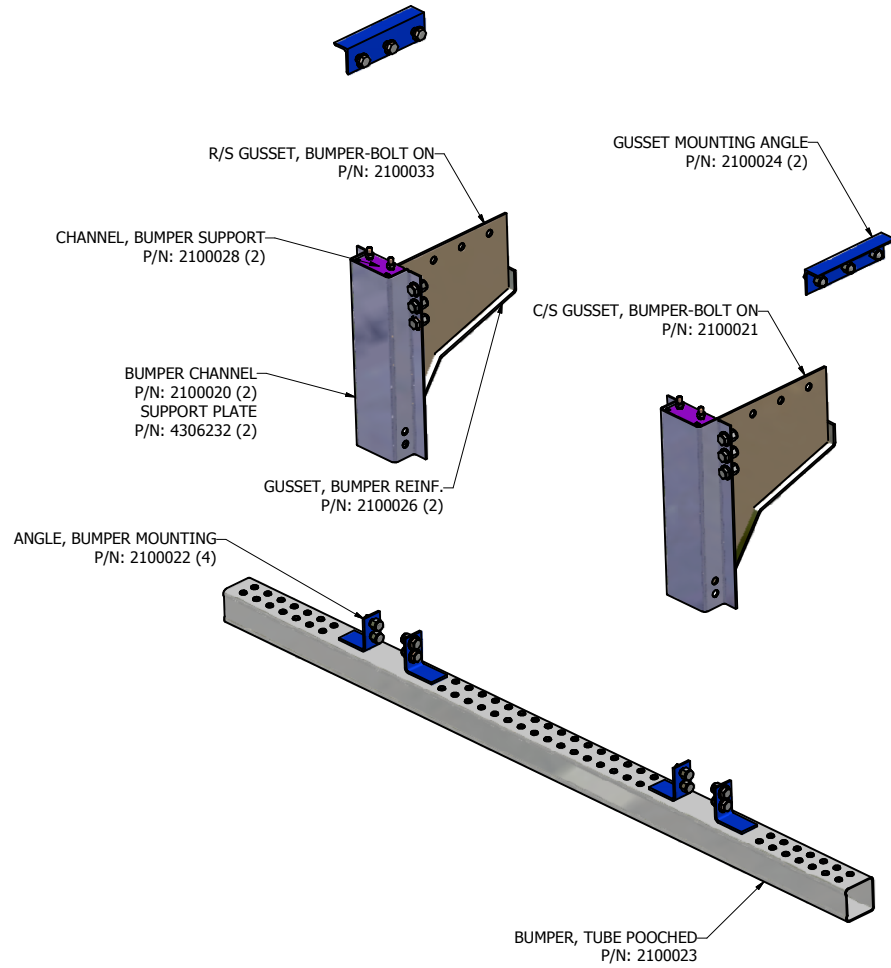
- 6200378 (4)
FLAT WASHER
3/8" SAE

- 7000154 (2)
PARKER
48F-10-6

- 7000851 (1)
3/8" PIPE PLUG

- 7000170 (2)
PARKER
48F-10-12

BUMPER ASSEMBLY (210N101) **RSI53-20 "OSTRANGER"**



FASTENERS:

BOLT, 1/2-20x1-1/2"
P/N: 6000501 (4)

BOLT, 3/4-16x2" GR-5
P/N: 6000750 (6)

BOLT, 3/4-16x1-1/2" GR-5
P/N: 6000751 (20)

LOCK NUT, 1/2-20 GR-5
P/N: 6100501 (4)

NUT, 3/4-16 GR-5
P/N: 6100751 (26)

WASHER, FLAT 1/2"
P/N: 6200503 (4)

WASHER, FLAT 3/4"
P/N: 6200751 (26)

MUDFLAPS ASSEMBLY (240N216)

RSI53-20 "OSTRANGER"

MUDFLAP BACKING PLATE
P/N: 2400214 (2)

MUDFLAP MOUNTING ANGLE
P/N: 2400216 (1)

MUDFLAP GT-2430 S
P/N: 2400211 (2)

FASTENERS:

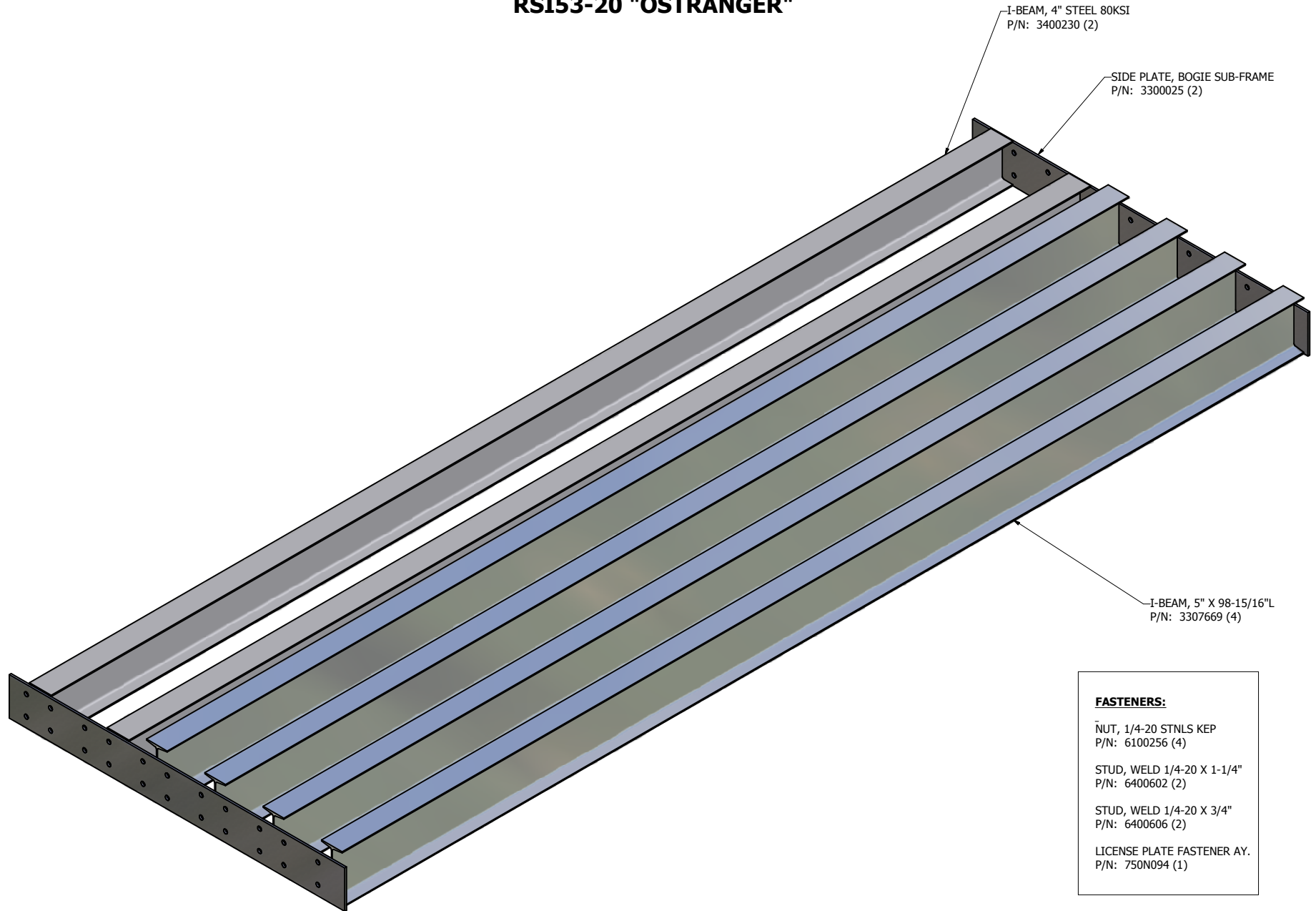
SCREW, HEX CAP 3/8-16 X 1-1/2"
P/N: 6000378 (8)

LOCKNUT, HEX STOVER 3/8-16
P/N: 6100382 (8)

WASHER, FLAT 3/8 USS PLTD
P/N: 6200376 (8)

BOGIE SUB-FRAME (330M019)

RSI53-20 "OSTRANGER"



RSI53-20

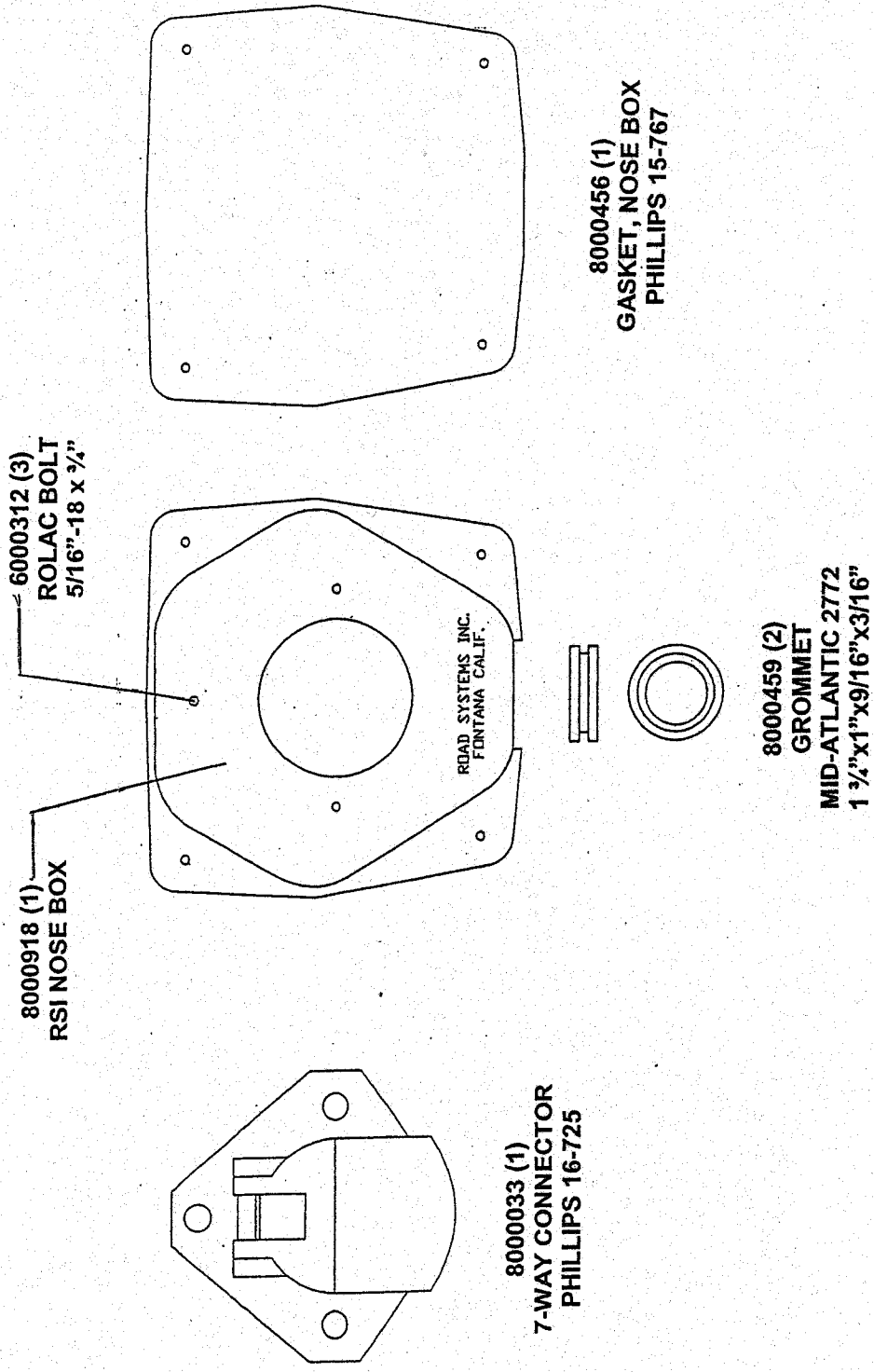
53' TRAILER

***ELECTRICAL
ASSEMBLY***

2008

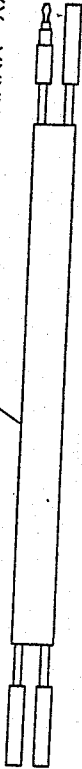
800M056

7-WAY CONNECTOR AND NOSE BOX ASSEMBLY

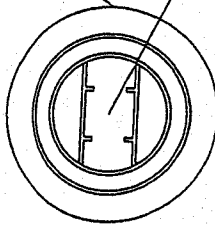


ABS WARNING LIGHT ASSEMBLY

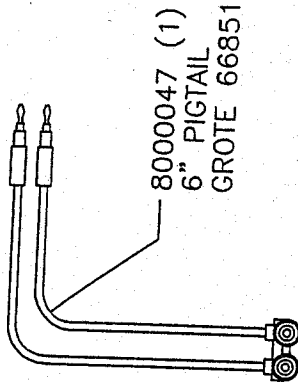
8004873 (1)
20' HARNESS
GROTE XX-XXXX-XX



800095 (1)
MOUNTING GROMMET
GROTE 92120

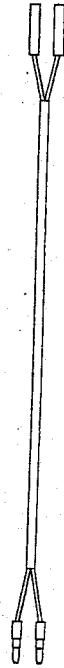


800094 (1)
2" ABS LIGHT
GROTE 78333

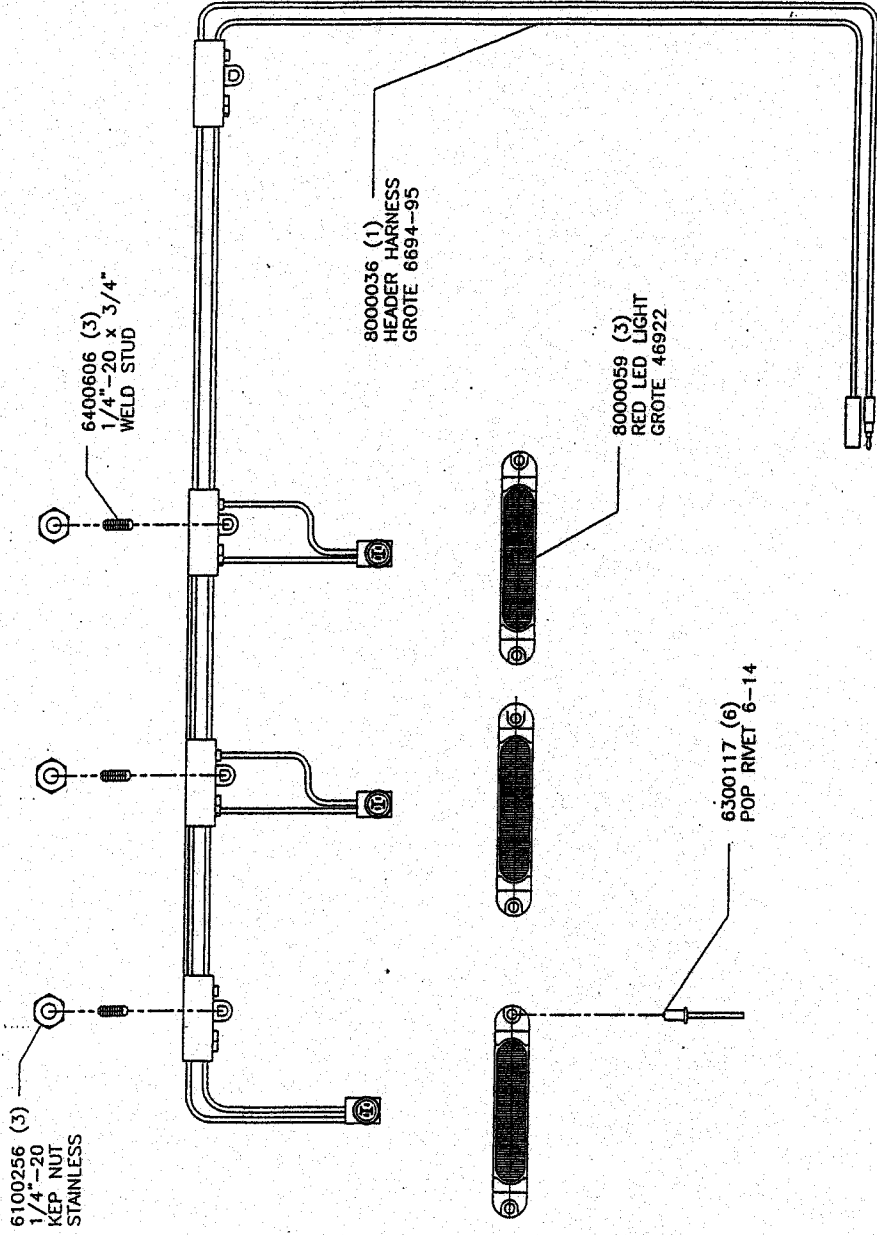


800047 (1)
6" PIGTAIL
GROTE 66851

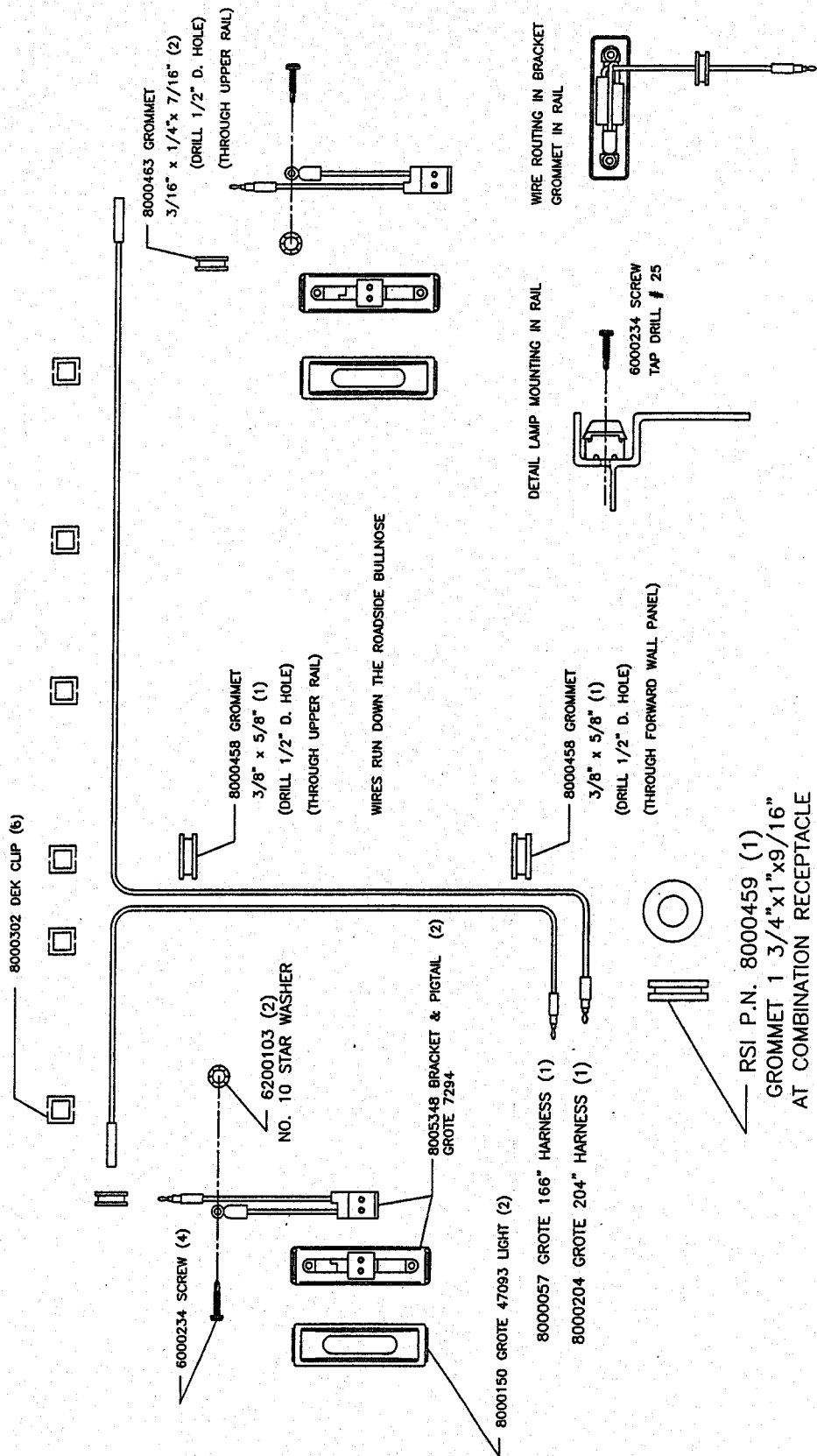
8004875 (1)
JUMPER, ABS LIGHT - 300"
GROTE 05-2000-80



DOOR HEADER LIGHT ASSEMBLY



FORWARD WALL LIGHT ASSEMBLY

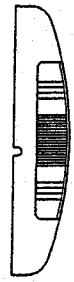
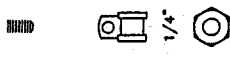


800N195

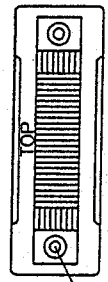
800N166

LICENSE LIGHT ASSEMBLY

- 6400606 (1)
1/4" - 20 x 3/4"
WELD STUD
- 8000266 (1)
1/4" CUSHION
CLAMP
- 6100256 (1)
1/4" - 20 KEP NUT
STAINLESS

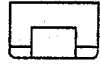


TRUCK-LITE LICENSE LIGHT -- INCANDESCENT

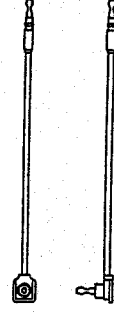


- 6300139 (2)
POP RIVET 6-16

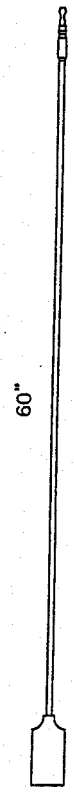
8005429 (1)
LICENSE LIGHT
TRUCK-LITE 21204C



- 8000462 (1)
GROMMET
3/8x1/8x1/2x5/8
MID-ATLANTIC 545

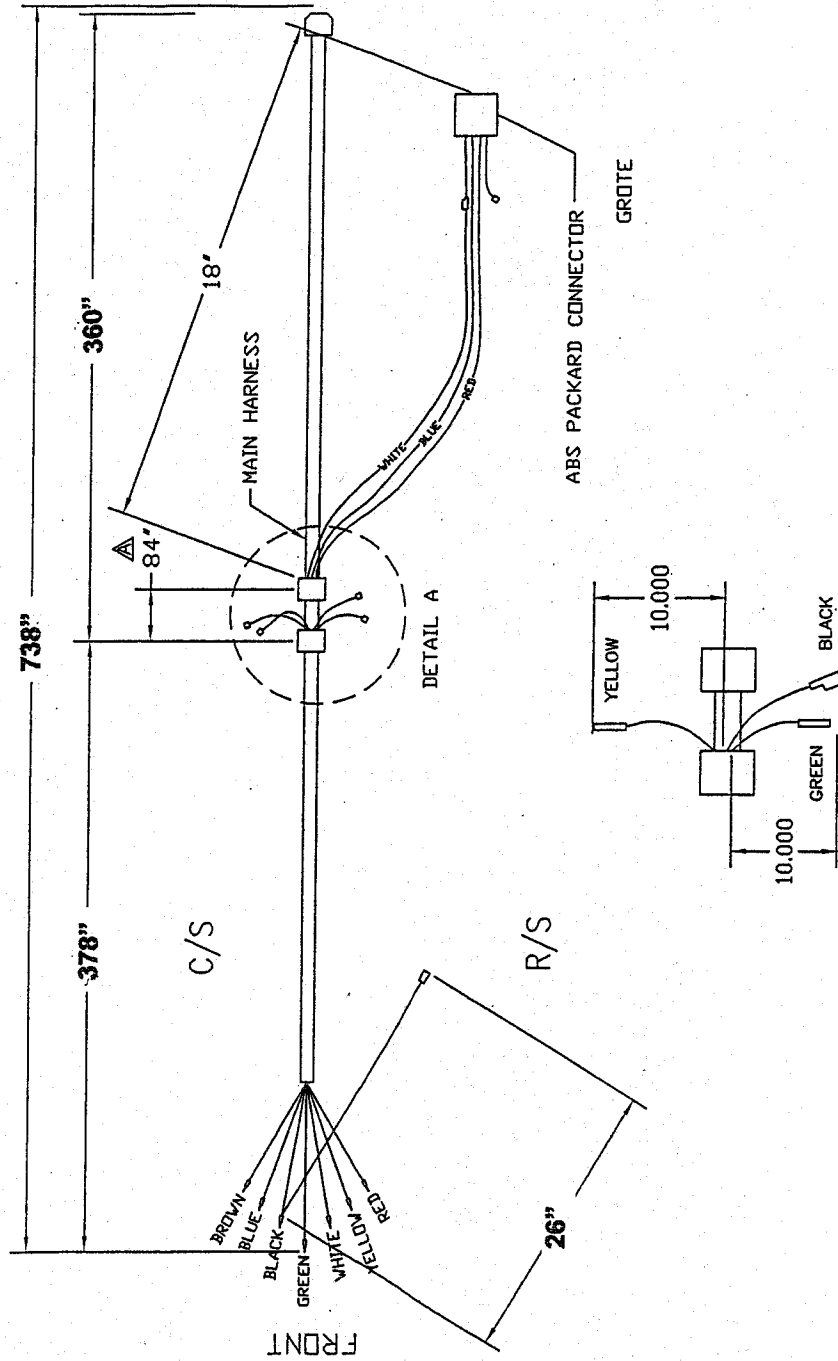


8005430 (1)
HOT WIRE
TRUCK-LITE 96932



8005464 (1)
JUMPER - 60"
TRUCK-LITE 95944

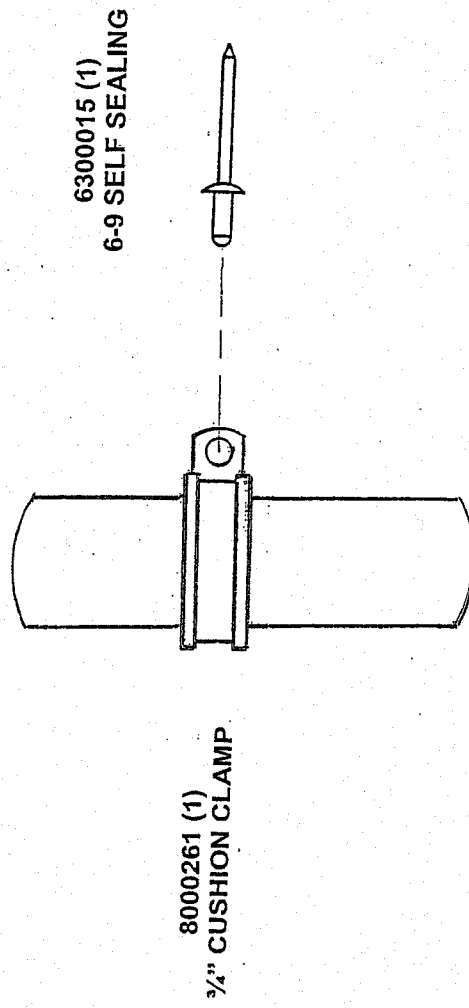
MAIN ELECTRICAL HARNESS



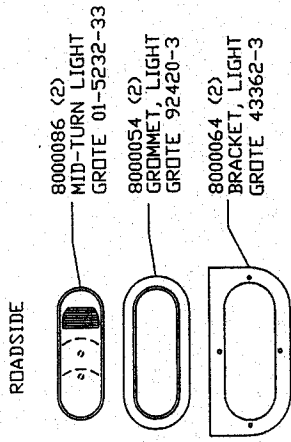
8005319 (1)
 MAIN HARNESS, 738"
 GROTE 01-660-X9

DETAIL A
 MID-TURN LIGHT DROP

MAIN HARNESS CLAMP ASSEMBLY – FORWARD WALL

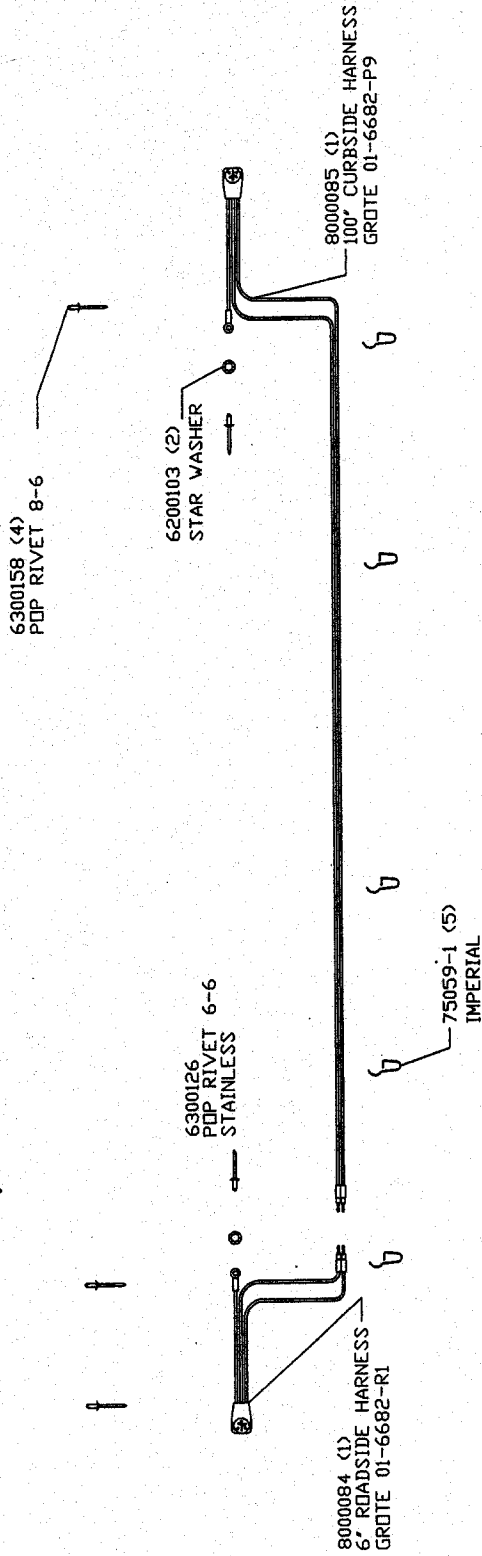
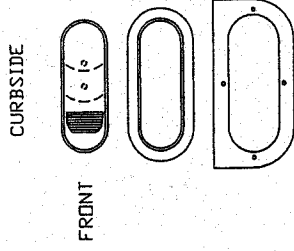


MID-TURN LIGHT ASSEMBLY



MID-TURN LIGHT ASSEMBLY
800N077

FASTENERS MID-TURN LIGHT
800N820

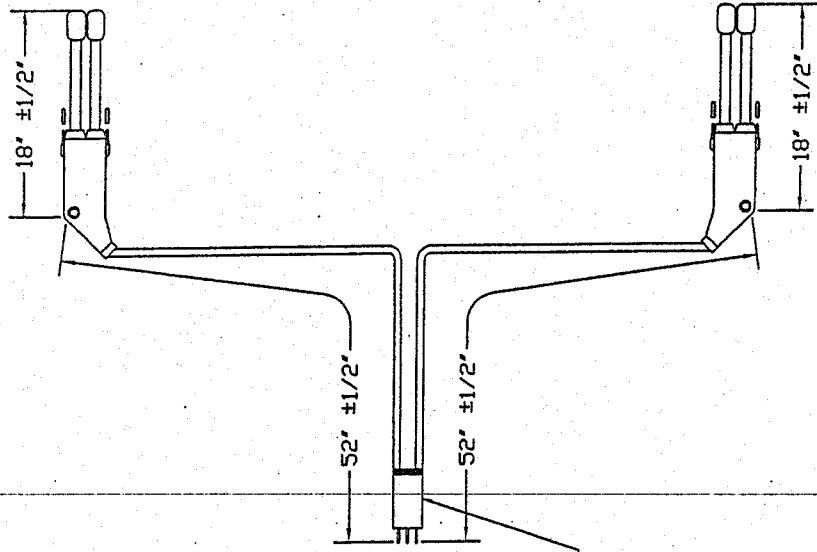


800N077
LAMP ASSEMBLY

800N824
FASTENER ASSEMBLY

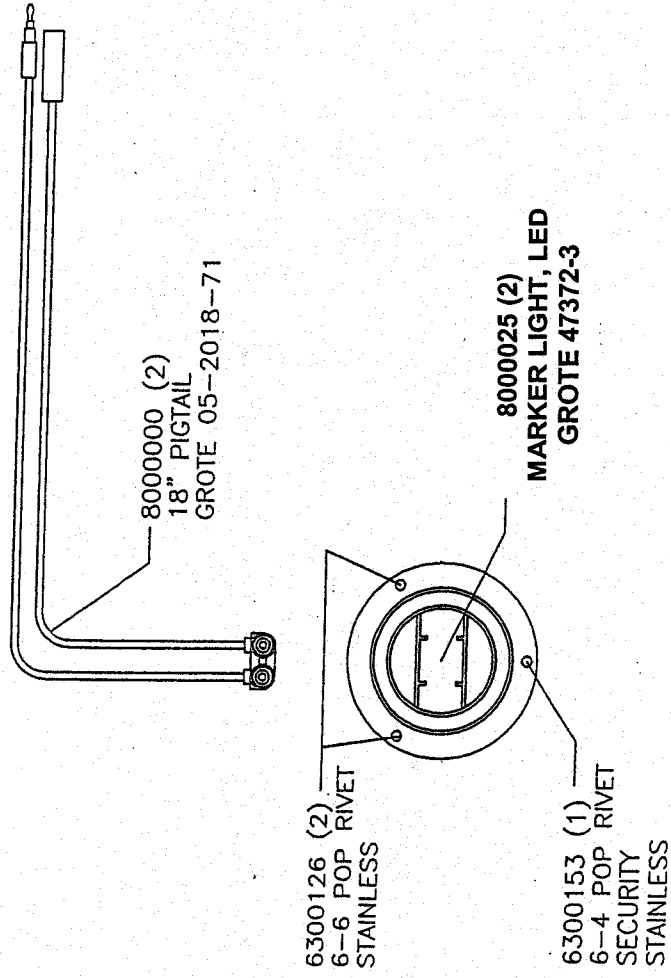
REAR SILL ELECTRICAL HARNESS

8000008 (1)
REAR SILL HARNESS
GROTE 01-67552-91

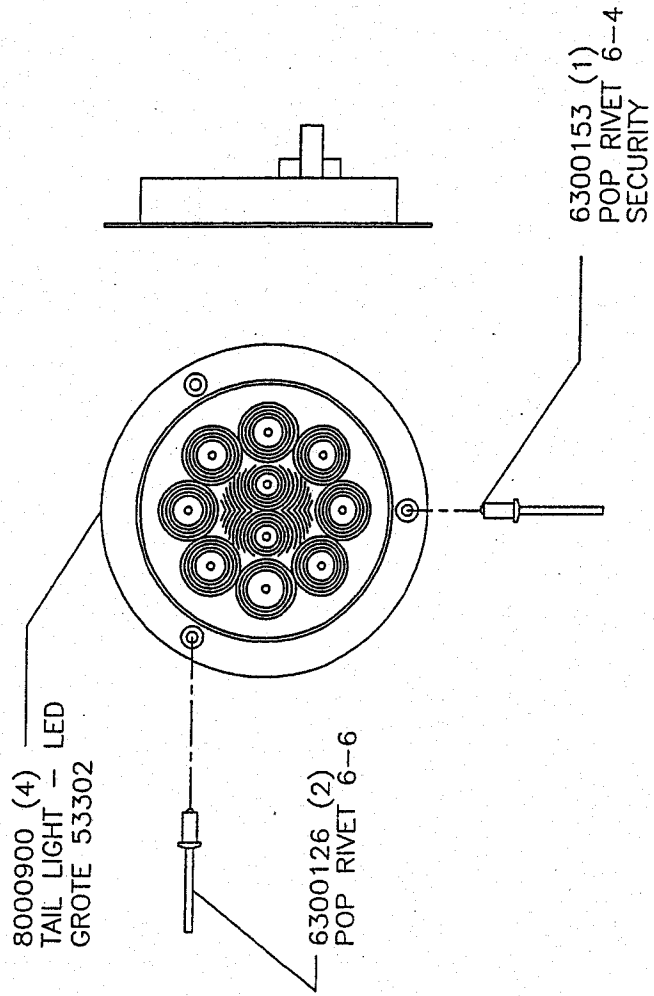


GROTE REAR SILL HARNESS
WITH AUXILIARY GROUND
PART No. 01-67552-91

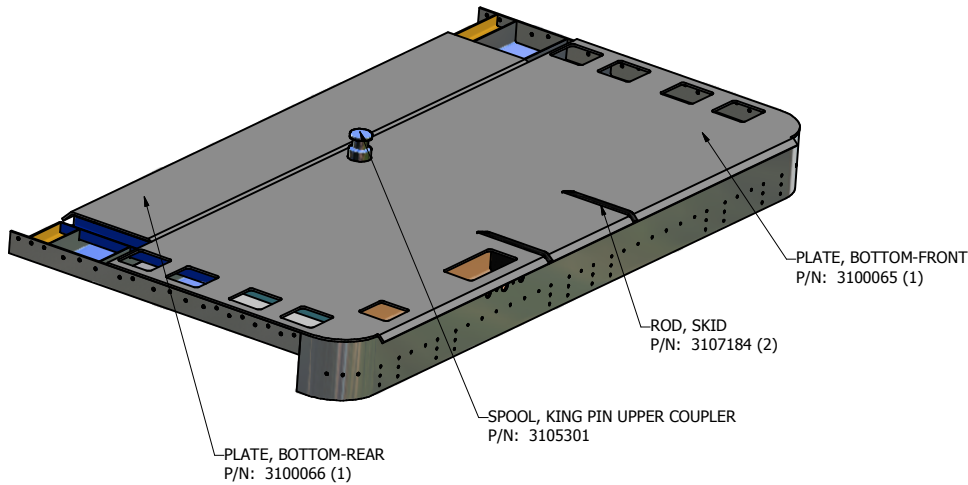
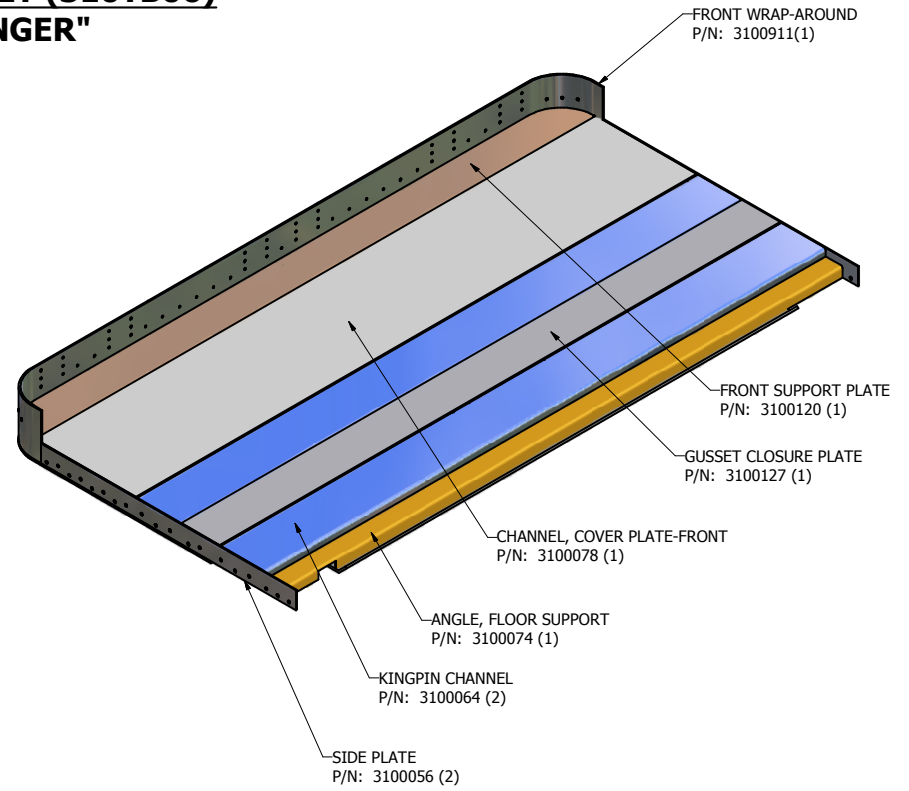
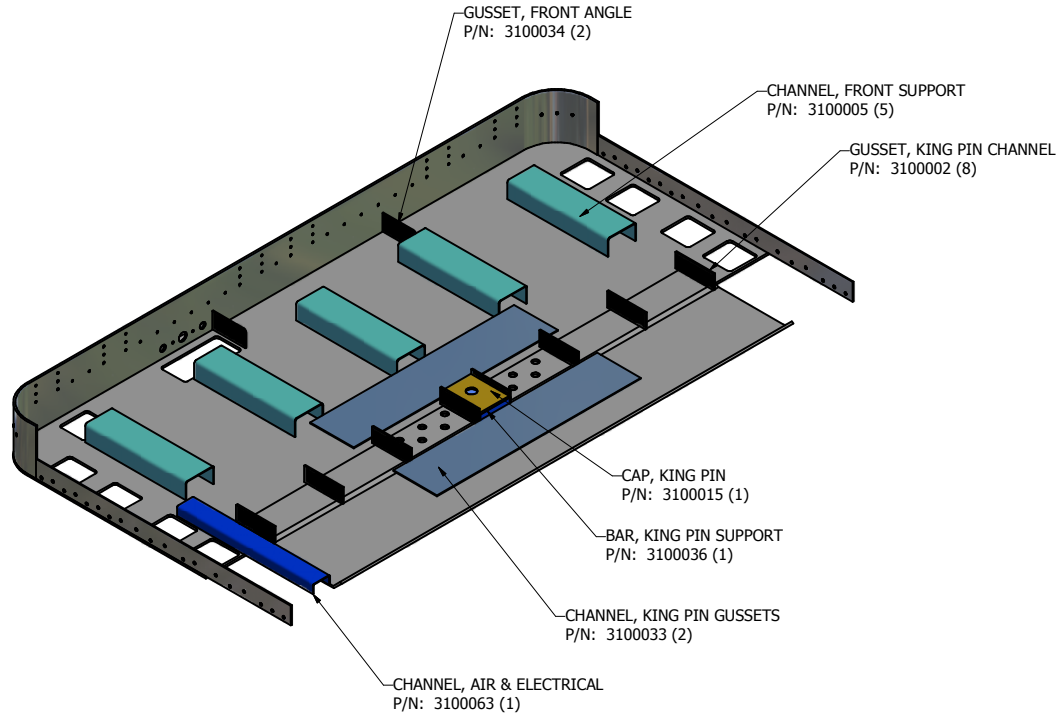
REAR - LOWER MARKER LIGHT ASSEMBLY



STOP -- TAIL -- TURN LIGHT ASSEMBLY



UPPER COUPLER ASSEMBLY (310TB06) RSI53-20 "OSTRANGER"



FASTENERS:	
KIT, UPPER COUPLER FASTENERS P/N: 6501002 (1)	
—	MACH. SCREW 3/8-16 X 1-1/4" P/N: 6000398 (19)
—	NUT, NYLOK 3/8-16 STAIN P/N: 6100383 (19)

FLOOR ASSEMBLY (340M036)
RSI53-20 "OSTRANGER"

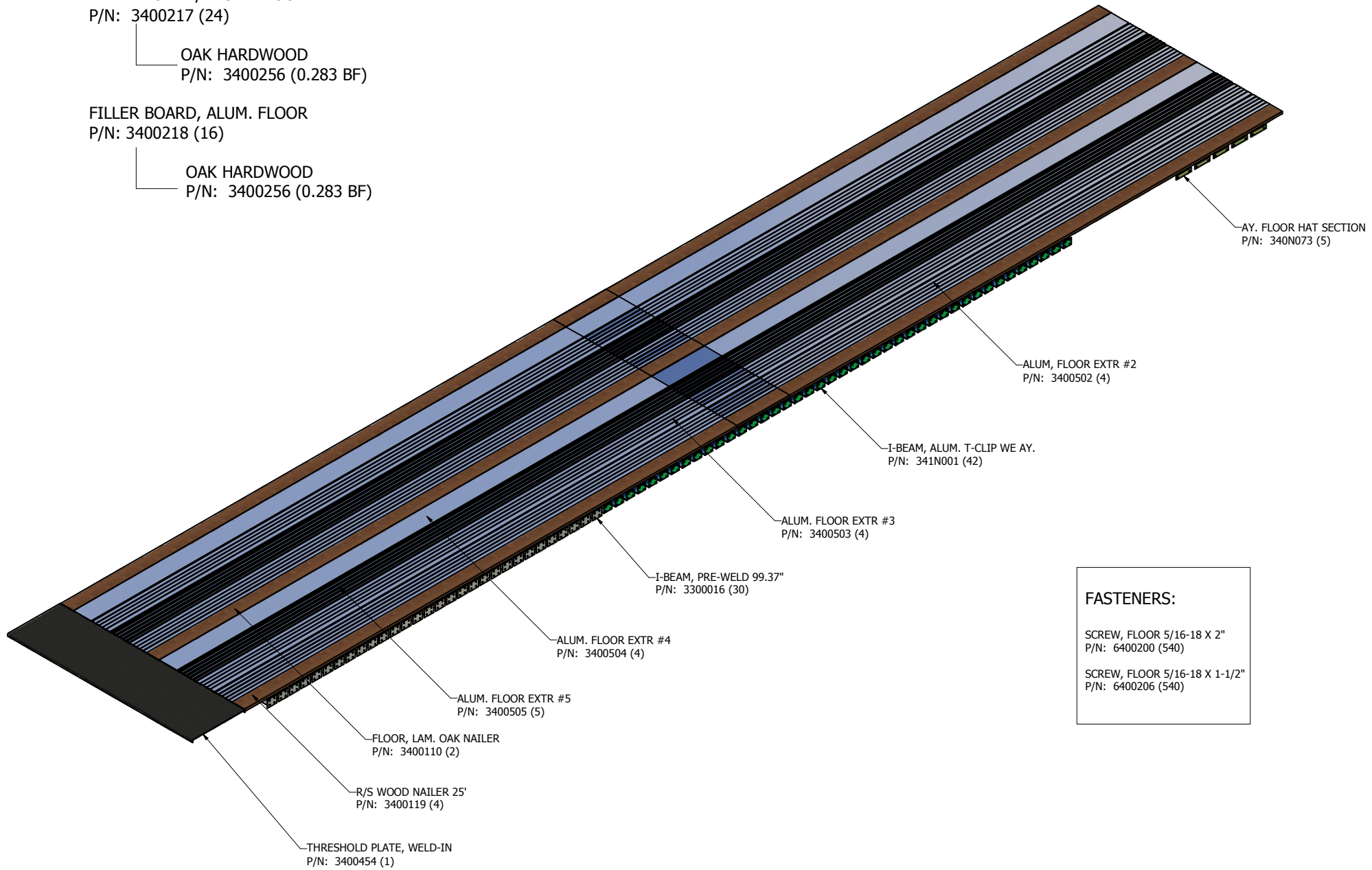
NOTE: NOT SHOWN

FILLER BOARD, ALUM. FLOOR
P/N: 3400217 (24)

OAK HARDWOOD
P/N: 3400256 (0.283 BF)

FILLER BOARD, ALUM. FLOOR
P/N: 3400218 (16)

OAK HARDWOOD
P/N: 3400256 (0.283 BF)



FASTENERS:

SCREW, FLOOR 5/16-18 X 2"
P/N: 6400200 (540)

SCREW, FLOOR 5/16-18 X 1-1/2"
P/N: 6400206 (540)

FASTENERS:

KIT PACK, LANDING LEGS
P/N: 320N016 (1)

BOLT, 5/8-18 X 1-3/4 HEX HEAD
P/N: 6000627 (26)

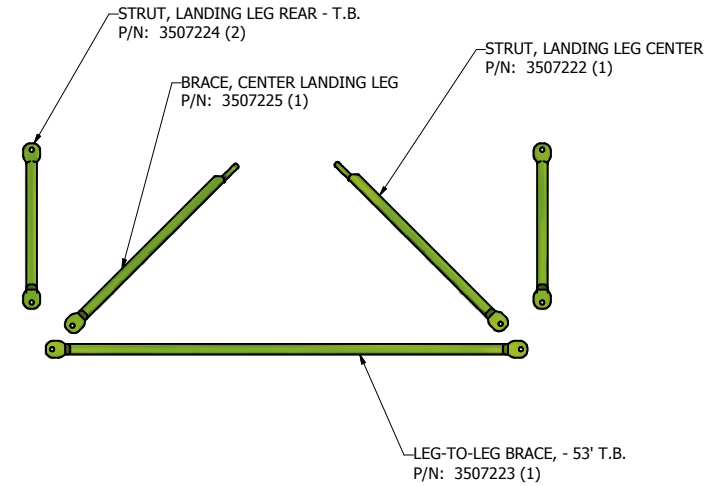
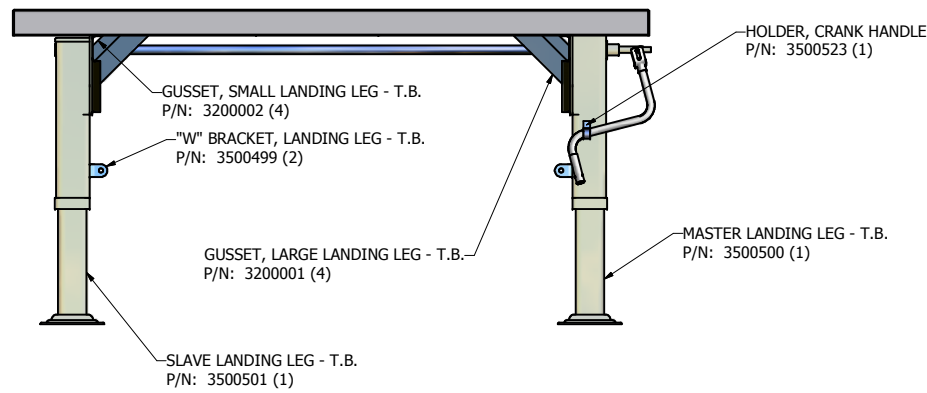
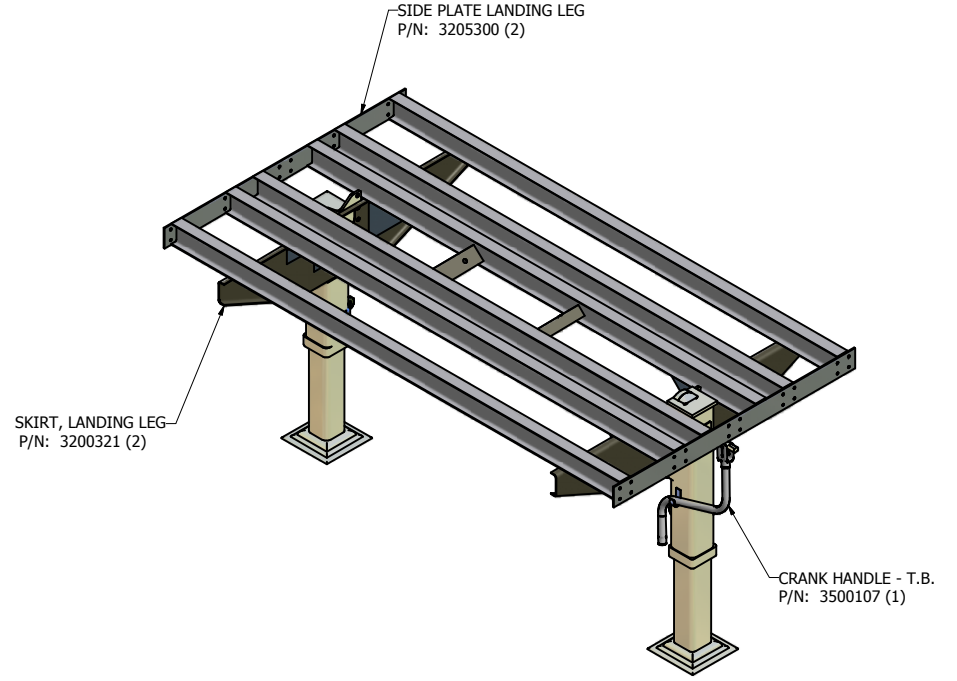
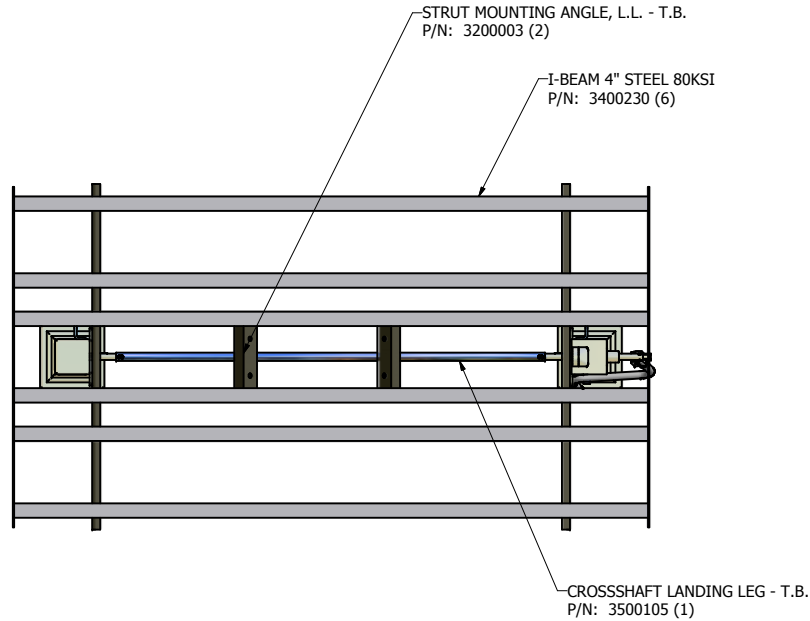
BOLT, 5/8-18 X 2 PLT GR 5
P/N: 6000628 (2)

NUT, PINCH LOCK 5/8-18
P/N: 6100626 (28)

WASHER, FLAT 5/8 USS PLTD
P/N: 6200626 (8)

LANDING LEG ASSEMBLY (350TB15)

RSI53-20 O'STRANGER



FASTENERS:

RIVET, AN455AD 6-6
P/N: 6300107 (0.675LBS)

RIVET, AN455AD 8-10
P/N: 6300108 (0.31LBS)

RIVET, AN455AD 8-8
P/N: 6300112 (0.27LBS)

RIVET, POP AD6-16ABSLF LG
P/N: 6300139 (76)

POP RIVET, 6-4 STAINLESS
P/N: 6300153 (22)

RIVET, DRV 3/16 - 13/32L
P/N: 6309003 (232)

FORWARD WALL ASSEMBLY (410M021) RSI53-20 O'STRANGER

AIR KIT PLATE ASSEMBLY (NOT SHOWN)
P/N: 410N071 (1)

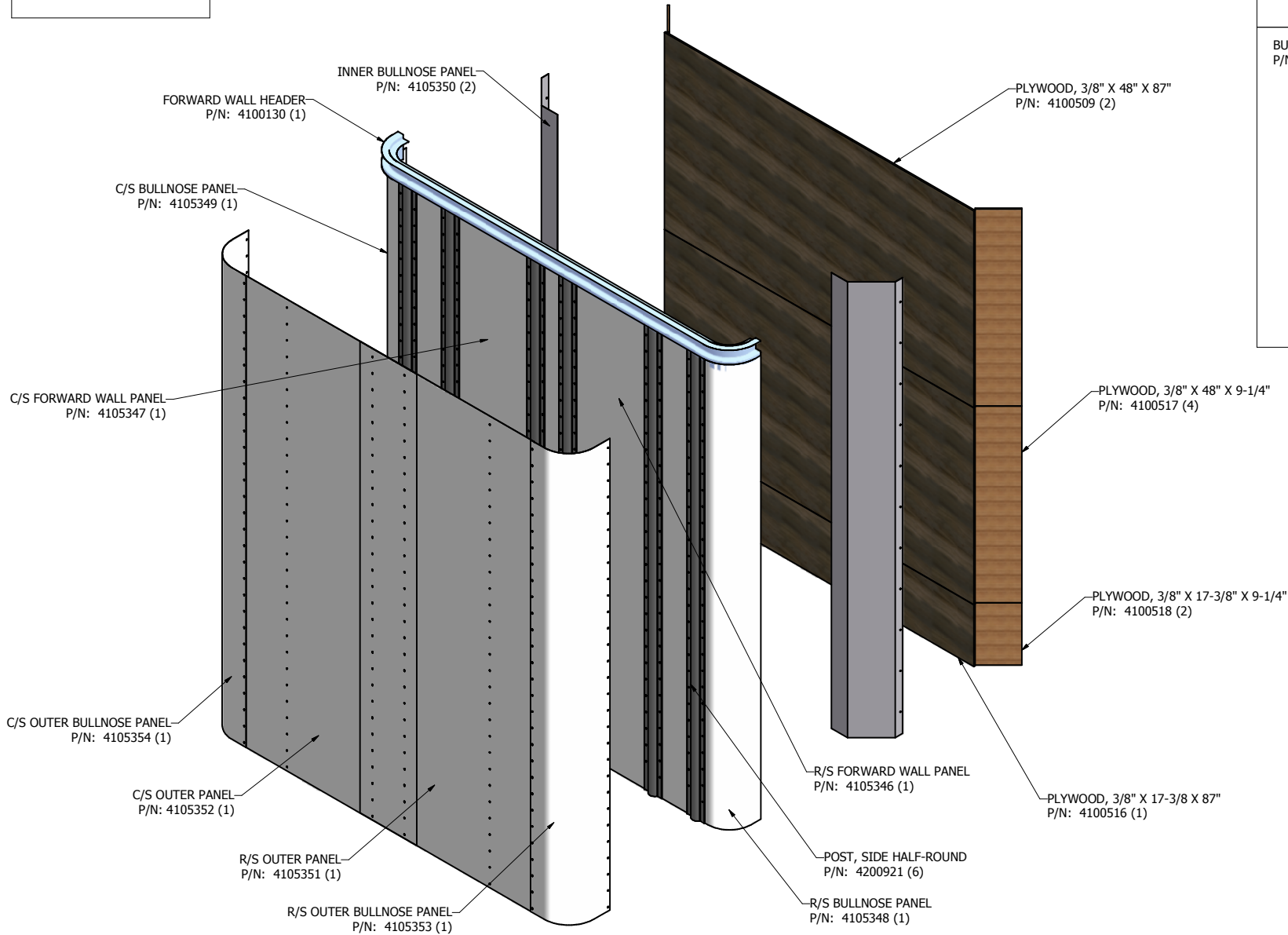
- PLATE, AIR KIT - RSI
P/N: 4106394 (1)
- BOLT, 1/4-20 X 1-1/2 GR 8
P/N: 6000250 (4)
- BOLT, HEX HEAD 5/16-18 X 1
P/N: 6000310 (4)
- NUT, 1/4-20 STNLS KEP
P/N: 6100256 (4)
- NUT, KEP STNLS 5/16-18
P/N: 6100317 (4)
- WASHER, FLAT 1/4 SAE PLTD
P/N: 6200252 (4)

BUTT-UP FORWARD WALL (NOT SHOWN)
P/N: 650N005 (1)

- SUPPORT, UPPER RAIL
P/N: 4100408 (2)
- PLATE, ASSEMBLY CORNER
P/N: 460N000 (2)
 - PLATE, CORNER ATTACHMENT
P/N: 4607205 (1)
 - RIVET, AN455AD 6-8
P/N: 6300106 (0.37LBS)
- POP RIVET - CLOSED END
P/N: 6300015 (8)
- RIVET, AN455AD 8-12
P/N: 6300110 (0.39LBS)
- KIT PACK F/W & S/W RSI53
P/N: 6500532 (1)
 - SCREW, HEX CAP 1/4-20 X 1
P/N: 6000254 (6)
 - LOCKNUT, 1/4-20 HEX
P/N: 6100258 (6)
 - WASHER, FLT 1/4 SAE PLTD
P/N: 6200252 (12)

REGISTRATION ASSEMBLY (NOT SHOWN)
P/N: 750N800 (1)

- POP RIVET, CLOSED END
P/N: 6300015 (4)
- HOLDER, REGISTRATION ALM
P/N: 7500801 (1)
- DECAL, TRAILER REG
P/N: 7500802 (1)



PLYWOOD, 3/8" X 48" X 87"
P/N: 4100509 (2)

PLYWOOD, 3/8" X 48" X 9-1/4"
P/N: 4100517 (4)

PLYWOOD, 3/8" X 17-3/8" X 9-1/4"
P/N: 4100518 (2)

PLYWOOD, 3/8" X 17-3/8" X 87"
P/N: 4100516 (1)

R/S FORWARD WALL PANEL
P/N: 4105346 (1)

POST, SIDE HALF-ROUND
P/N: 4200921 (6)

R/S BULLNOSE PANEL
P/N: 4105348 (1)

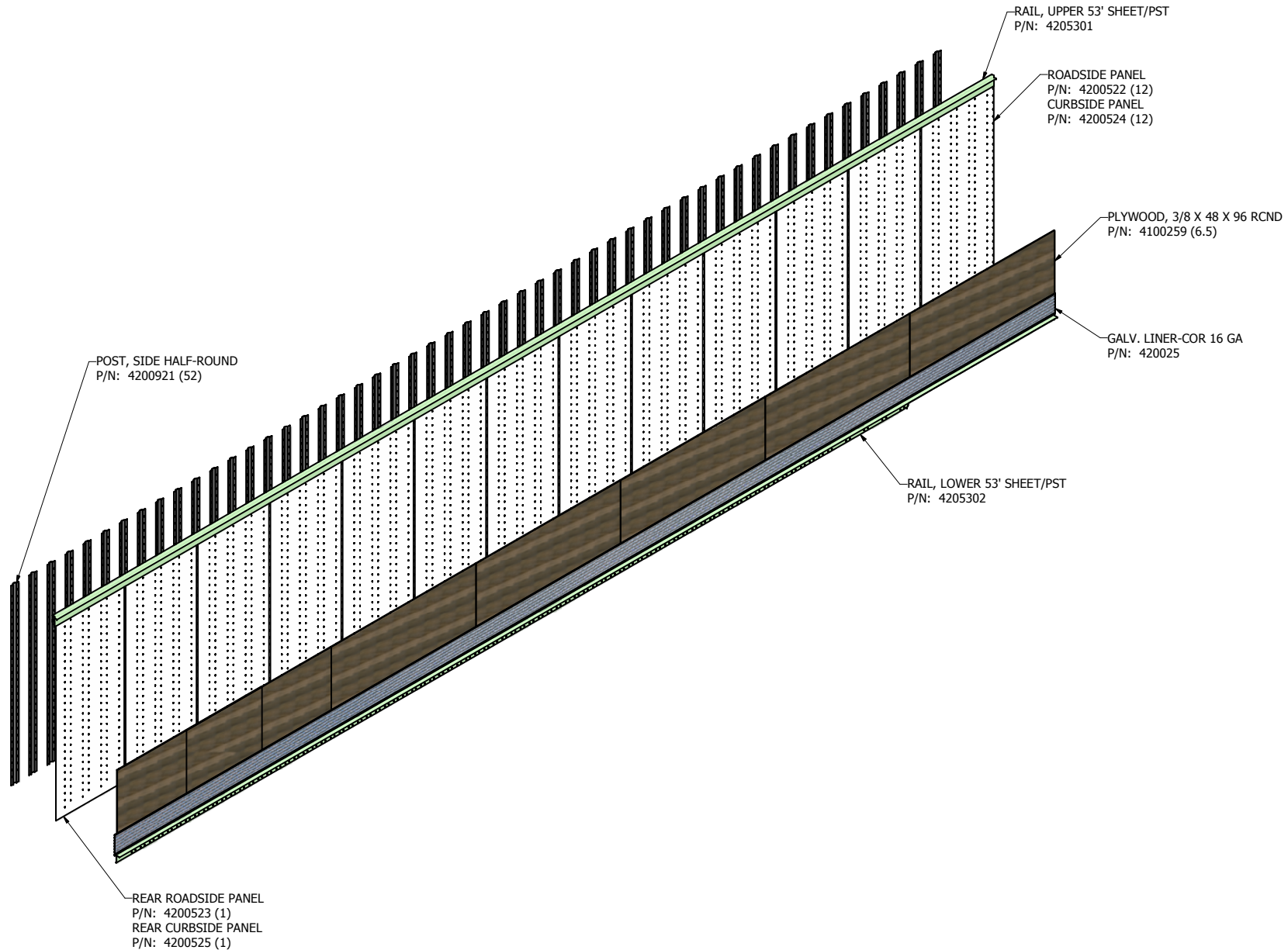
SIDEWALL ASSEMBLIES:

421SW13: R/S SIDEWALL AY.

422SW13: C/S SIDEWALL AY.

SIDEWALLS ASSEMBLIES (420M031)

RSI53-20 "OSTRANGER"



FASTENERS:

- FASTENER, HUCK FLOOR
P/N: 6300132 (52)
- PIN, HUCK C6LB-R12-6 GA
P/N: 6000352 (361)
- COLLAR, HUCK-GALVANIZED
P/N: 6100352 (361)
- RIVET, AN455AD 8-7
P/N: 6300104 (1.31)LB
- RIVET, AN455AD 6-10
P/N: 6300105 (0.3)LB
- RIVET, AN455AD 6-8
P/N: 6300106 (0.79)LB
- RIVET, AN455AD 6-7
P/N: 6300107 (5.11)LB
- RIVET, AN455AD 8-10
P/N: 6300108 (1.07)LB
- RIVET, AN455AD 8-12
P/N: 6300110 (1.79)LB
- RIVET, AN455AD 8-8
P/N: 6300112 (1.4)LB
- RIVET, POP AD 68SSBSLF LG
P/N: 6300114 (8)
- RIVET, POP AD-6-14-ABS
P/N: 6300117 (212)
- RIVET, POP AD-6-10 ABSLF LG
P/N: 6300118 (8)
- RIVET, POP AD-8-8SSBS DOME
P/N: 6300136 (20)
- BUTTON-UP, KIT PACK
P/N: 6501019 (0.5)AY

FASTENERS:

BOLT, 1/2"-13 X 4" S-DR
P/N: 6000160 (1)

NUT, CAMTNER 5/16-18 X 1/2
P/N: 6000335 (38)

NUT, NYLOK 1/2"-13 SW-DR
P/N: 6100160 (1)

WASHER, STEEL USS FLAT 1/2
P/N: 6200503 (3)

BOLT, CAMT 5/16-18 X .985
P/N: 6400510 (37)

SCREW, MCHN 10-24 X 1-1/4
P/N: 6000247 (2)

MACH. SCREW 3/8-16 X 1-1/4
P/N: 6000398 (2)

NYLOK NUT 10-24 STAINLESS
P/N: 6100238 (2)

LOCKNUT, HX STOVER 3/8-16
P/N: 6100382 (2)

WASHER, FLAT 1/4" STNL
P/N: 6200251 (2)

BOLT, CAMTNER 5/16-18 X 1.42
P/N: 6400512 (2)

NUT, 1/2"-13 GRD 5 PLATED
P/N: 6100505 (1)

NUT, 1/4-20 STNLS KEP
P/N: 6100256 (6)

RIVET, POP AD-6-14-ABS
P/N: 6300117 (6)

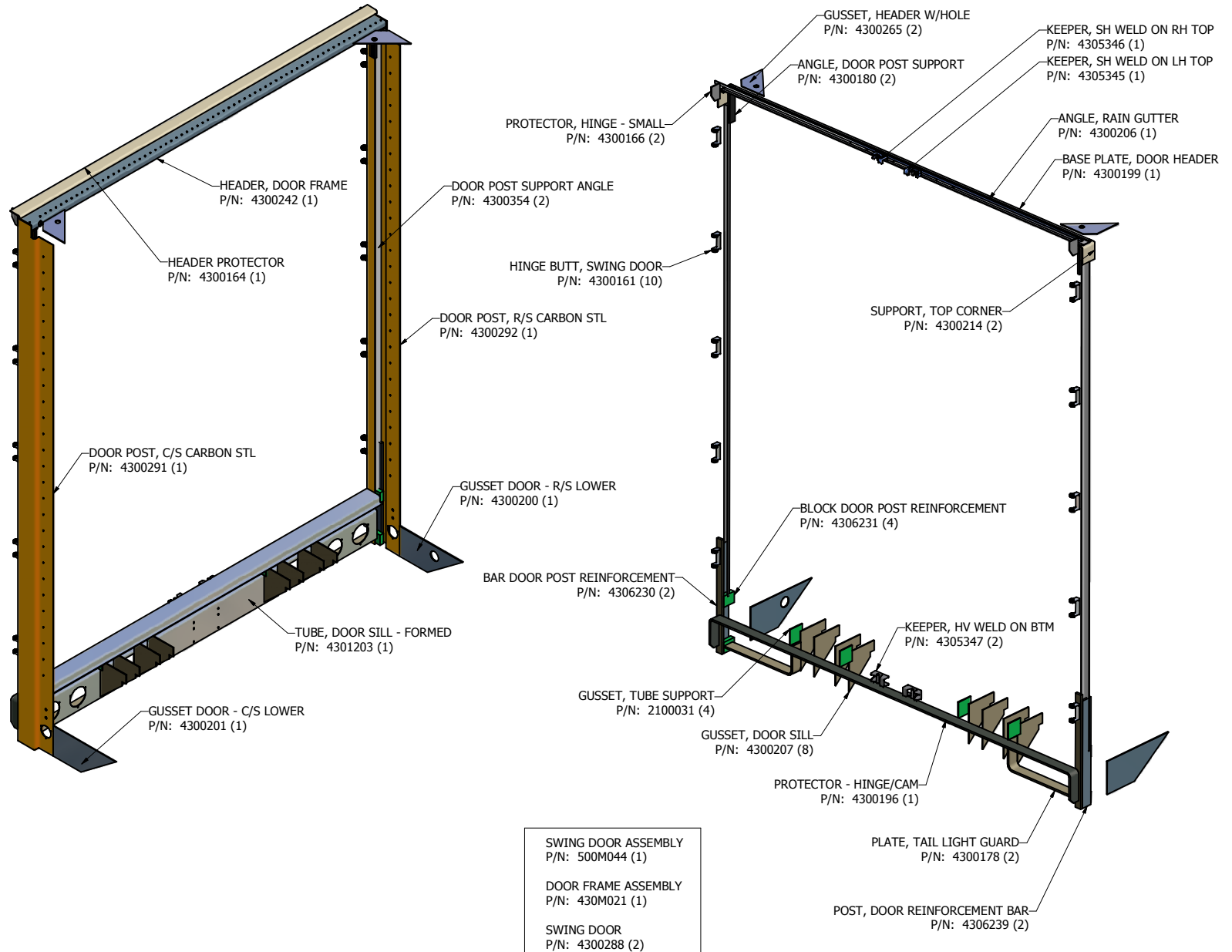
STUD, WELD 1/4-20 X 3/4"
P/N: 6400606 (6)

CLAMP, RBR CUSH 1/4 NO. 4
P/N: 8000266 (4)

GRMT 3/4ID X 1-1/16 X 1/4
P/N: 8000451 (1)

GROMMET, 3/8"ID X 5/8OD
P/N: 8000458 (1)

**SWING DOOR ASSEMBLY (500M044)
RSI53-20 O'STRANGER**



- SWING DOOR ASSEMBLY
P/N: 500M044 (1)
- DOOR FRAME ASSEMBLY
P/N: 430M021 (1)
- SWING DOOR
P/N: 4300288 (2)

RSI53-20

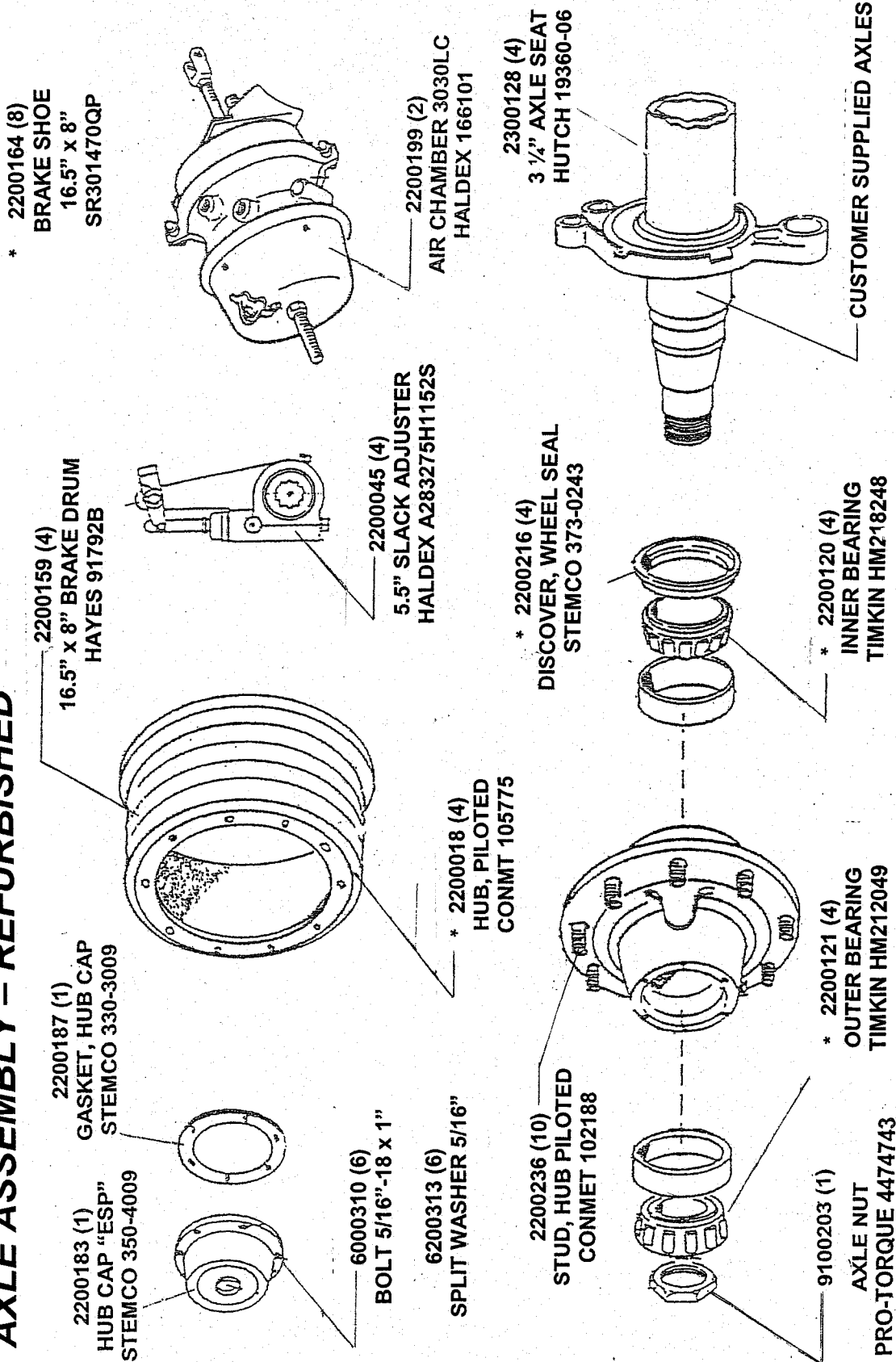
53' TRAILER

"OSTRANGER"

**SPRING SUSPENSION
MERITOR 2S-1M ABS**

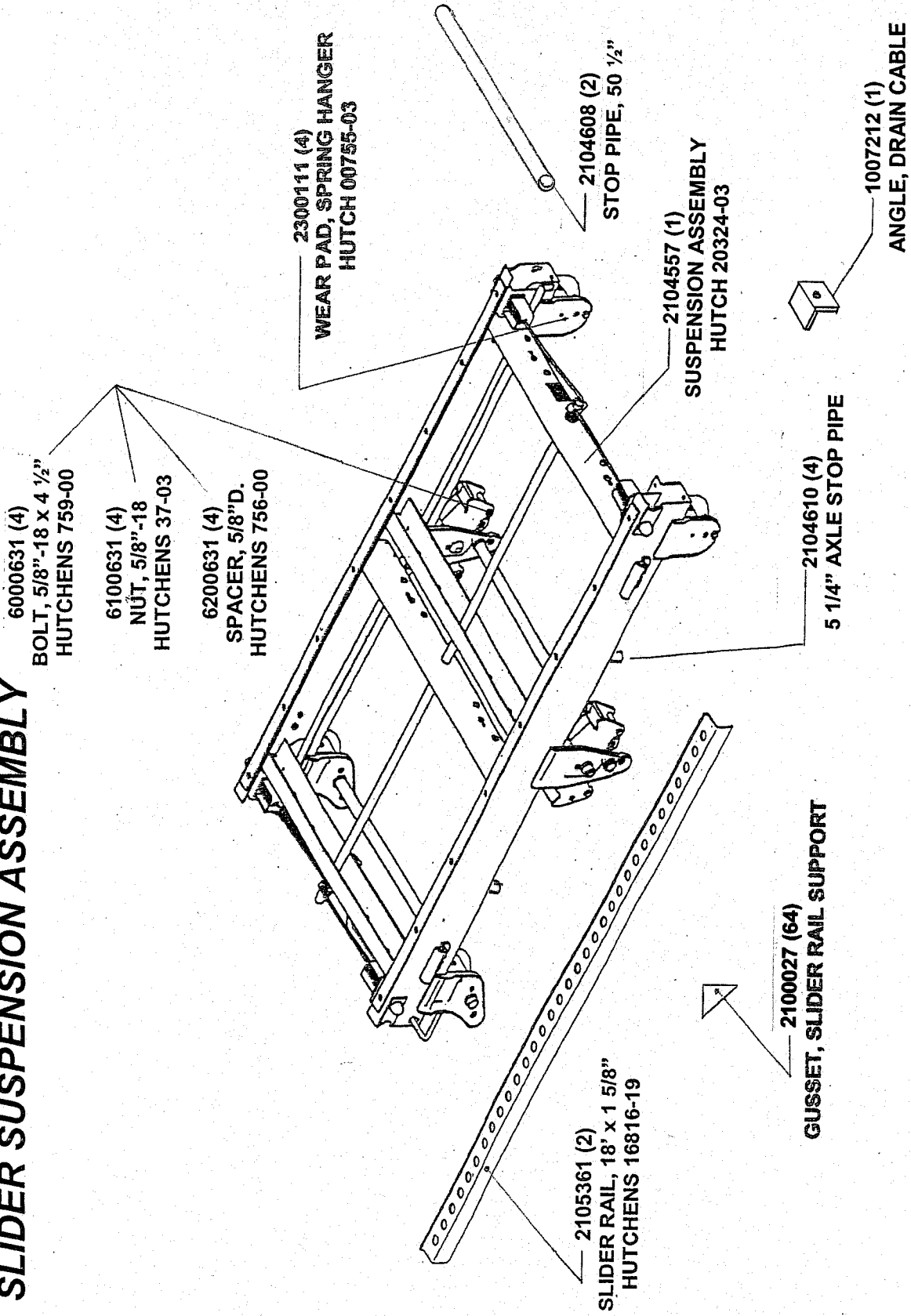
2008

AXLE ASSEMBLY - REFURBISHED



• ON AXLE PULL SHEET

SLIDER SUSPENSION ASSEMBLY



SUSPENSION ASSEMBLY

